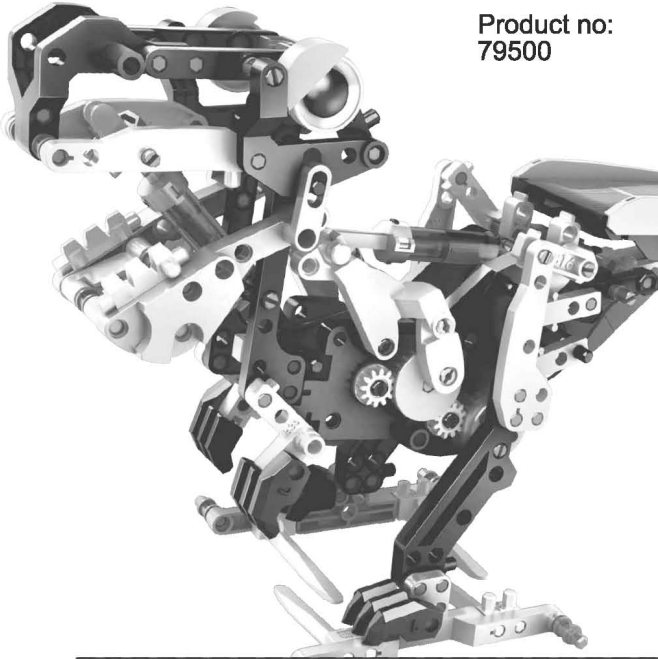


12 in 1 SOLAR & HYDRAULIC CONSTRUCTION Kit



Product no:
79500

QR Codes:

Hier geht es zur Anleitung:



<https://www.sol-expert-group.de/Solar-Produkte/Modelle-aus-Kunststoff/Bausaetze/12in1-Solarbaukasten-fuer-12-Modelle::1286.html?language=de>

Cliquez ici pour les instructions:



<https://www.sol-expert-group.de/Articles-solaires/ModEles-rEduits-en-plastique/Kits-d-039-assemblage/12in1-kit-solaire-pour-12-modeles::1286.html?language=fr>

Click here for the instructions:



<https://www.sol-expert-group.de/Solar-products/Models-made-of-plastic/Building-kits/12in1-solar-kit-for-12-models::1286.html?language=en>

Klik hier voor de instructies:



<https://www.sol-expert-group.de/Producten-op-zonne-energie/Modellen-van-kunststof/Bouwsets/12in1-solar-kit-voor-12-modellen::1286.html?language=nl>

! ATTENTION! !

- Possibility of injury due to sharp corners and edges!
- Keep the address of the company - Not suitable for children under 3 years! - Contains small parts!



MADE IN TAIWAN

HINWEIS - NOTE - REMARQUE - LET OP:

(DT) Eine ausführliche Anleitung in deutscher Sprache liegt der Verpackung bei. Die Anleitungen in den Sprachen Englisch, Französisch und Niederländisch können kostenlos in unserem Shop heruntergeladen werden.

(EN) Instructions in German are enclosed in the packaging. The instructions in English, French or Dutch can be downloaded in our shop for free. (FR) Des instructions en allemand sont fournies avec l'emballage.

Les instructions en anglais, français, et néerlandais sont à télécharger gratuitement dans notre boutique.

(NL) De Duitse handleiding is bij de verpakking inbegrepen. De handleidingen voor de talen Engels, Frans en Nederlands kunnen gratis in onze shop worden gedownload.

Contents

Product Introduction -----	1	12 Robot Modes	
Tools You May Need -----	1	(1) Obstacle avoiding Rover -----	8
Mechanical Parts List -----	1	(2) Forklift -----	11
Plastic Parts -----	1	(3) Monkey -----	13
Mechanical Assembly		(4) Ostrich -----	16
Solar Module Assembly -----	2	(5) Excavator -----	20
Gear box Assembly -----	2	(6) Scorpion -----	24
Gear box Testing -----	4	(7) Master & dog -----	28
Eye & Claw Assembly -----	4	(8) Elephant -----	31
Hydraulic Module Assembly -----	4	(9) Buggy -----	34
Hydraulic ModuleTesting -----	6	(10) Crocodile -----	38
Notices!! Very important - Hydraulic Module -----	6	(11) Pterosaurs -----	43
Storage box assembly -----	7	(12) T-Rex -----	49
Tips: Plastic parts Disassembly -----	8		

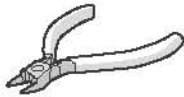
Product Introduction

The solar and hydraulic powered robot can be transformed into twelve different animals and mechanic robots. Every model features multitude of functional and biomimicry movements and unique modeling. The user can change from climbing monkey>mouth opening crocodile and T-Rex >running ostrich>claws attacking scorpion>zigzagging buggy and more. Combining these two power, these adorable robots can move easily and also provide great interaction with kids.

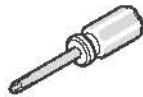
12 In 1 solar hydraulic powered robot is designed to have children learn the benefit of alternative energy and basic concept of these technologies. This product is powered by the sun and water, there are no batteries required. The robot can move in direct sunlight and allows children to play with it outdoors and also encourage them to explore the world.

The modeling and the movement of the models are referred to natural animals which include its most obvious characteristic, such as elephant's trunk and pteranodon's wing. While the children are playing with them, they can realize the function of these characteristic and observe how they work. For more, the children can use their own infinite imagination to create a brand new species.

Tools You May Need



Diagonal Cutter



Screwdriver



Cup & Water



Tissue Paper

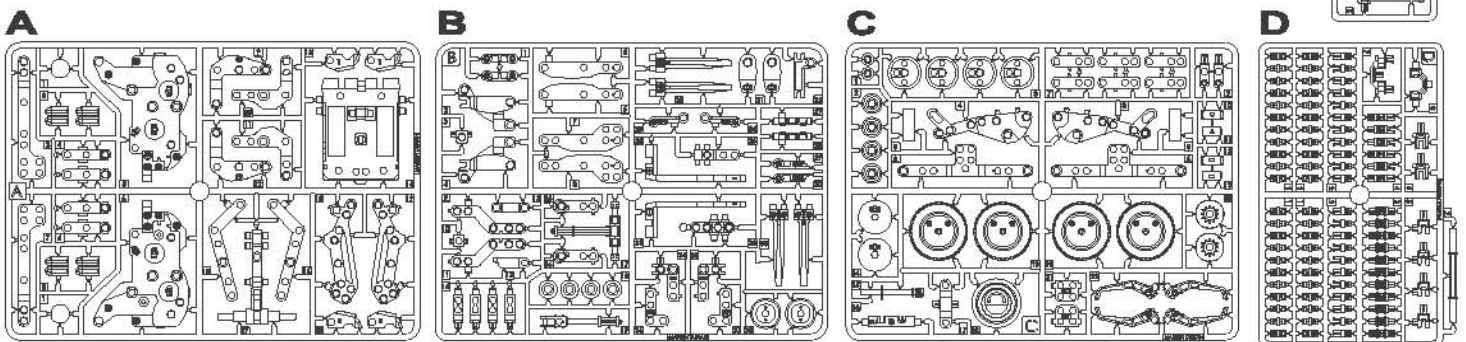
Mechanical Parts List

I Product contains functional edges and sharp points.

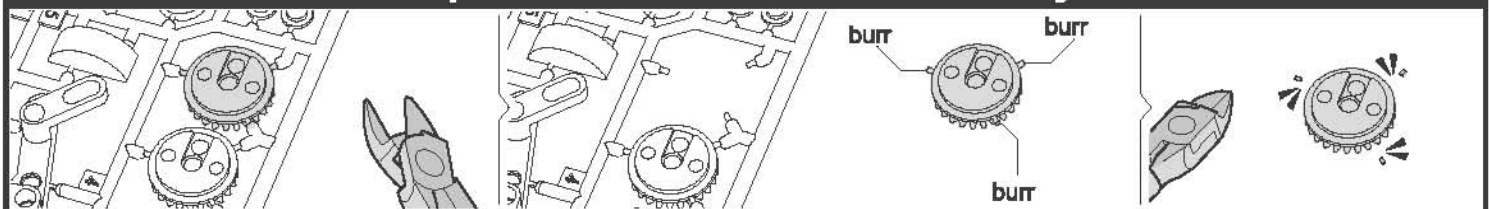
P1	Motor With Connectors	P2	Solar Panel With Springs	P3	Soft Tube (15cm)						
Don't connect the wires to the mains.	1 pc	1 pc		1 pc							
P4	Pinion Gear(yellow)	P5	Gear With Shaft	P6	Gear(Red)	P7	Gear(Green)	P8	Tapping Screw	P9	Sponge
	1 pc	1 pc	1 pc	2 pc	2 pc	2 pc					
P10	Round Shaft	P11	Rope	P12	Cap(Red)	P13	Cardboard divider				
	1 pc	1 pc	2 pc	1 pc							
P14	Oil Bag										
1 pc	Do not touch the oil while fitting the soft tube.										

Plastic Parts

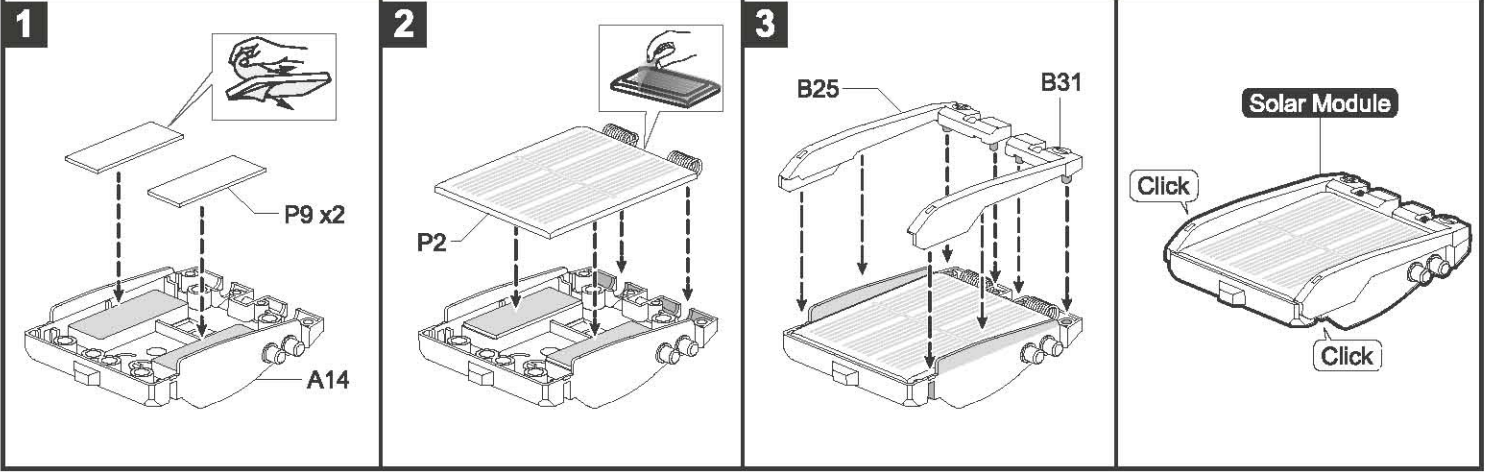
I Cut the plastic parts when they are required. Do not cut them in advance.



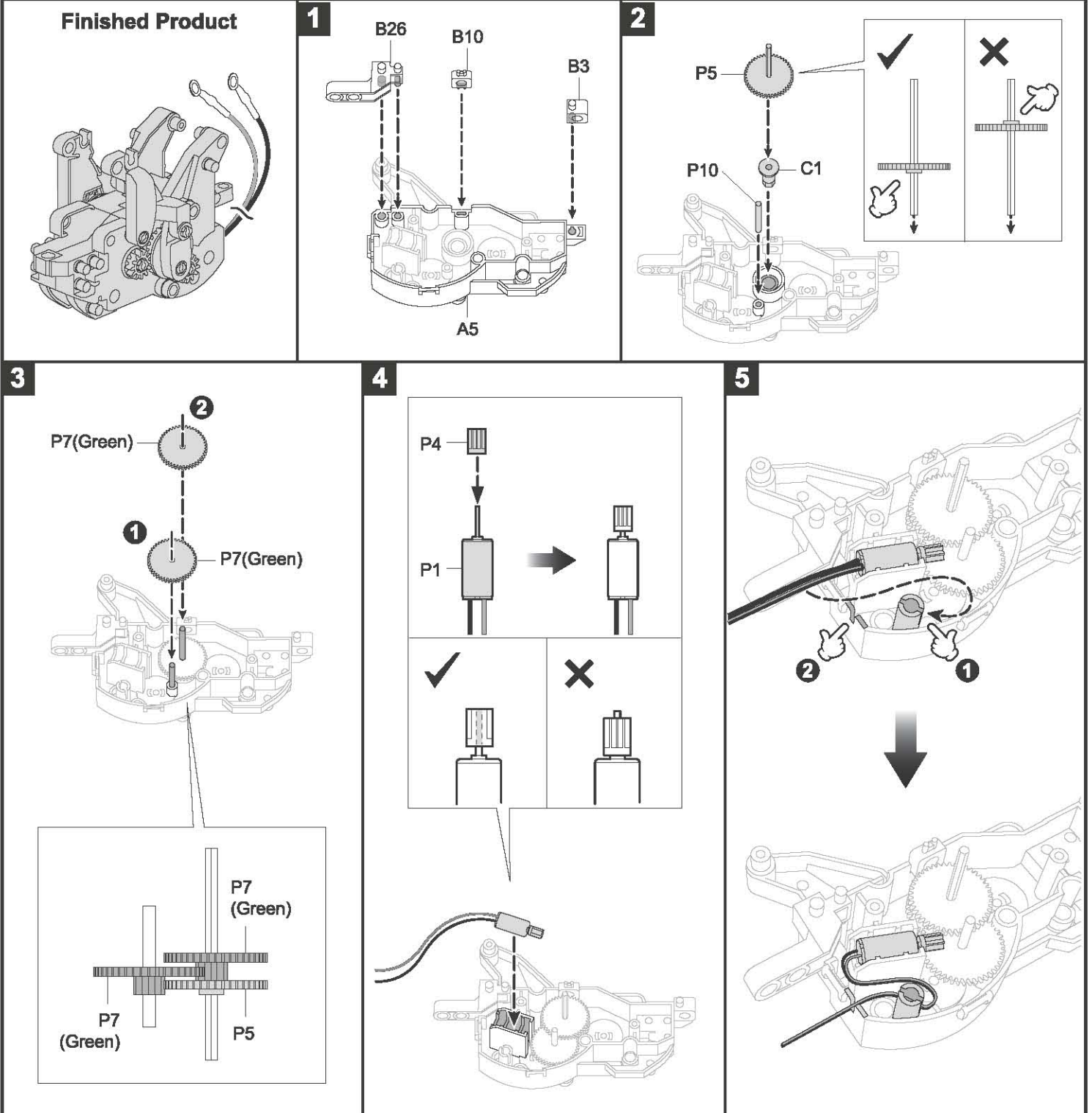
Tip: cut off the burrs before assembly



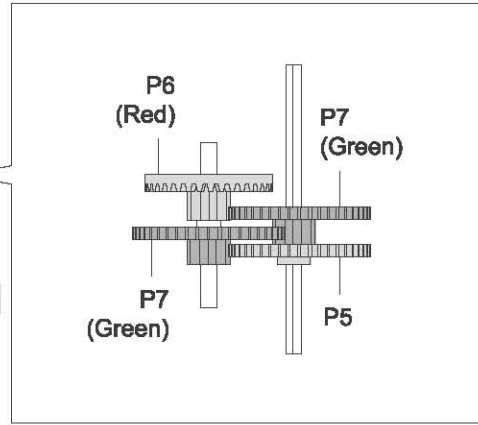
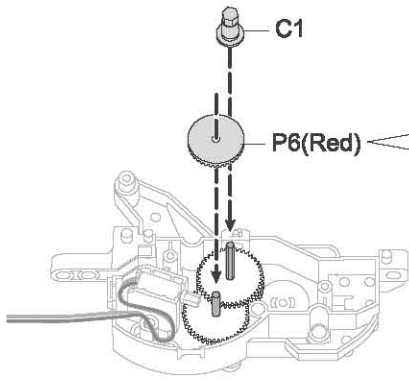
Solar Module Assembly



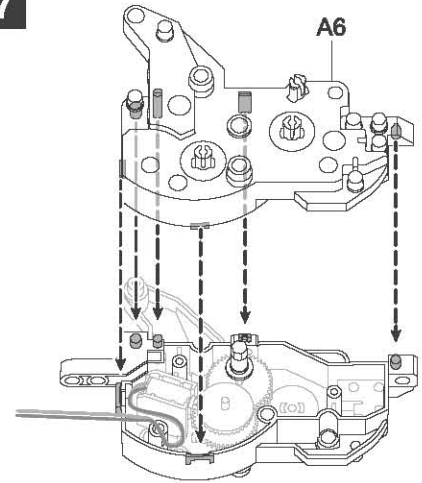
Gear Box Assembly



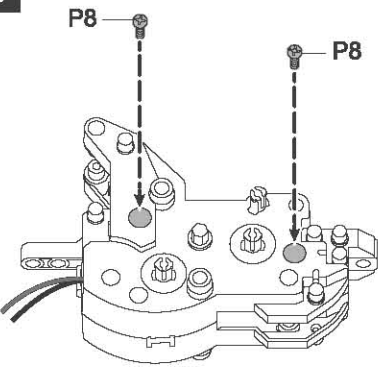
6



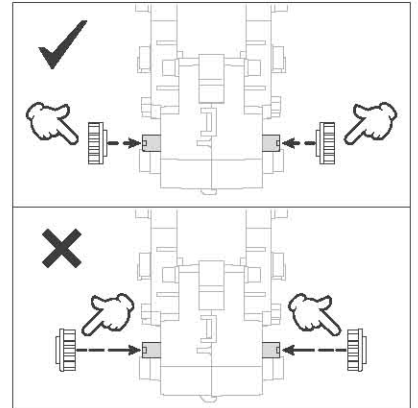
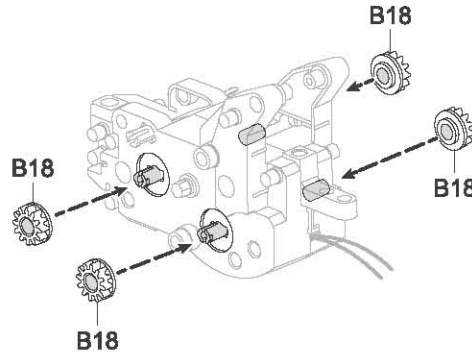
7



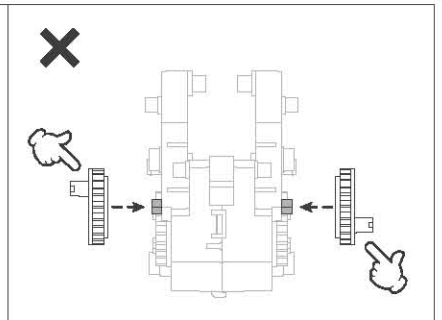
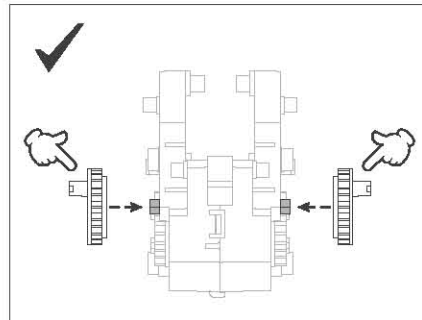
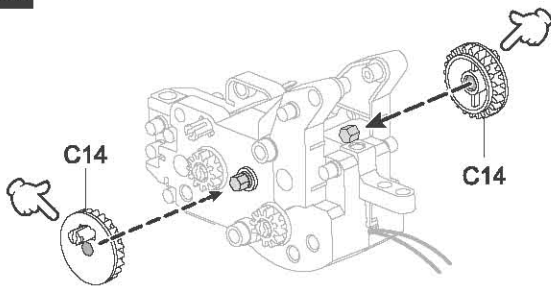
8



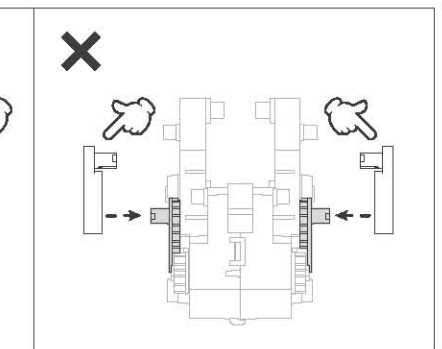
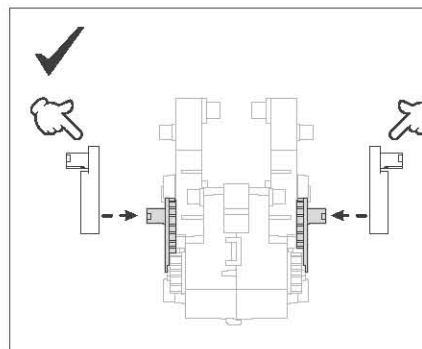
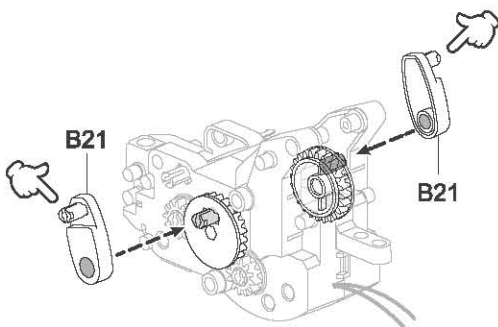
9



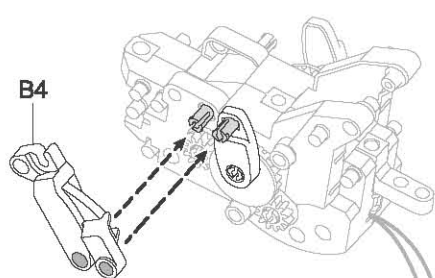
10



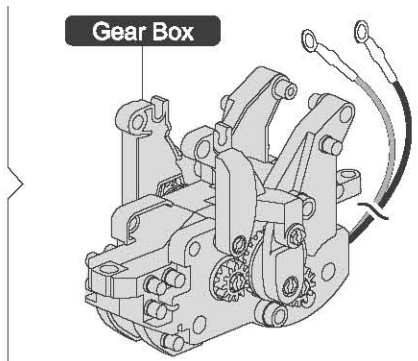
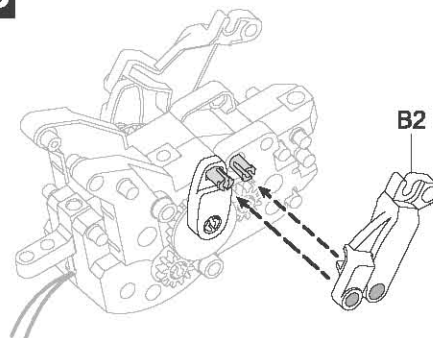
11



12

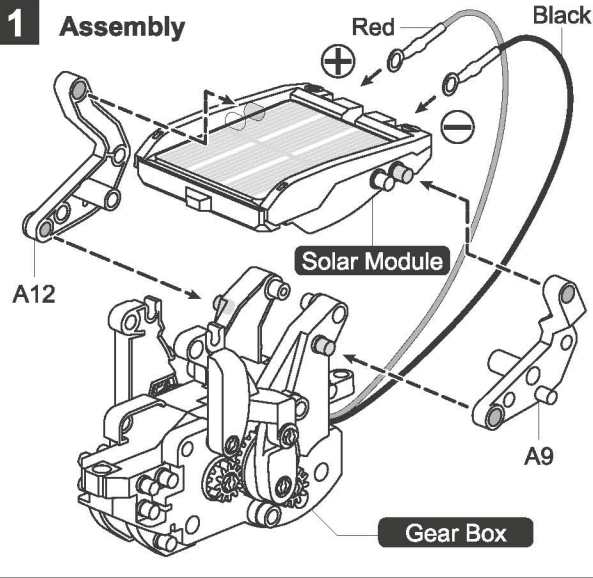


13

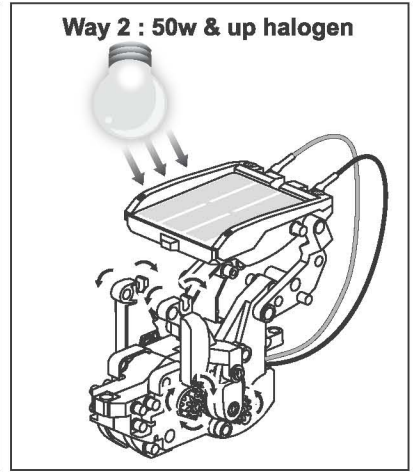
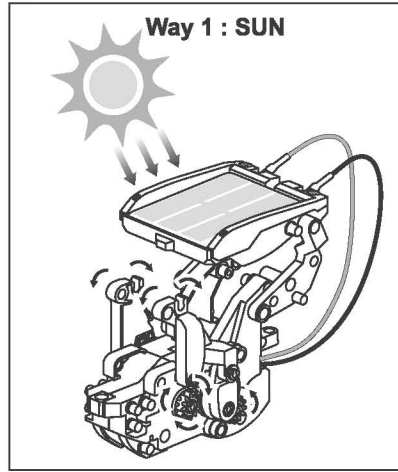


Gear Box Testing

1 Assembly

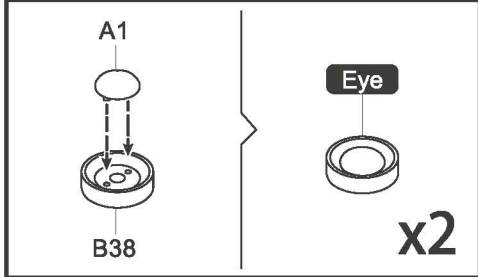


2 Testing

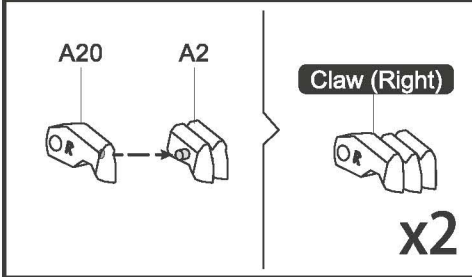


If gearbox doesnot work , refer back to Page 2-3 for re-assembly

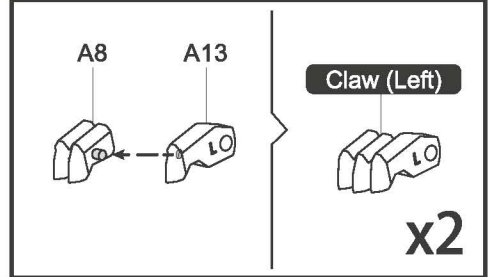
Eye Assembly



Claw (Right) Assembly

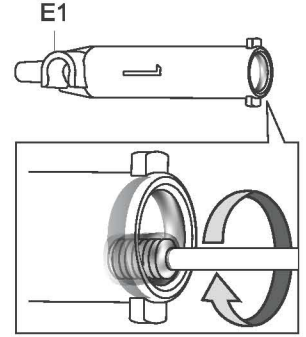
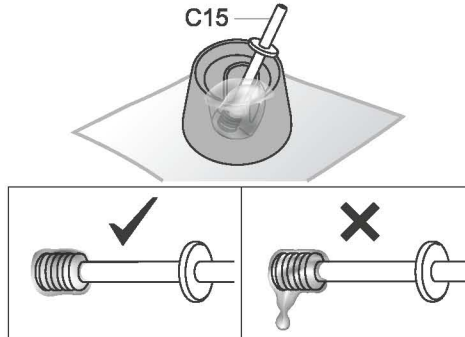
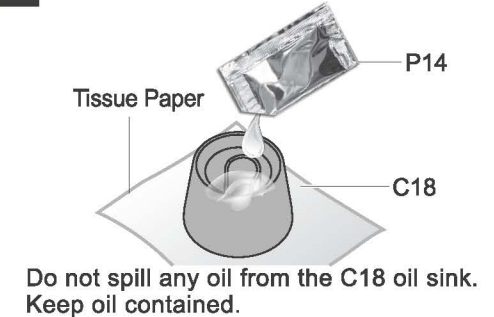


Claw (Left) Assembly

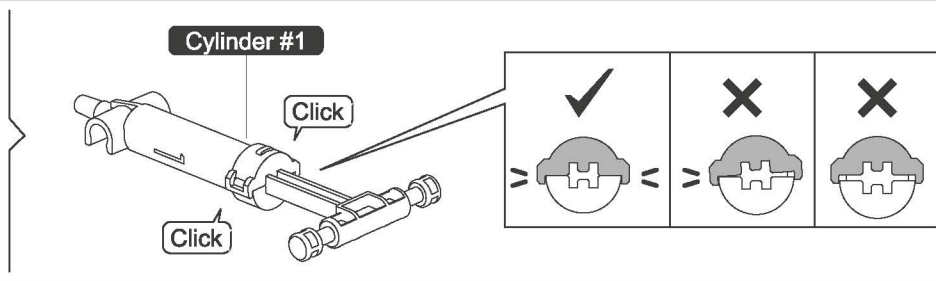
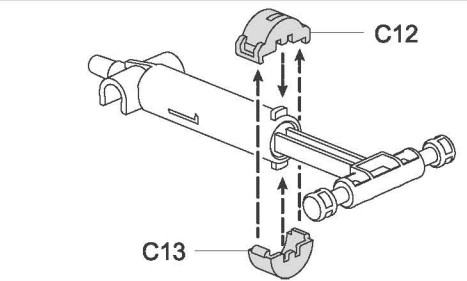
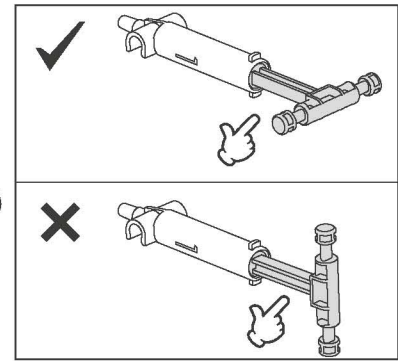
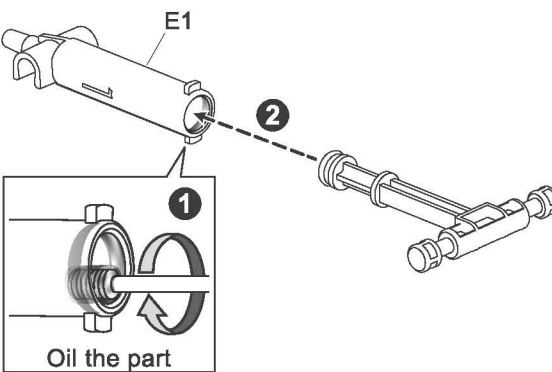
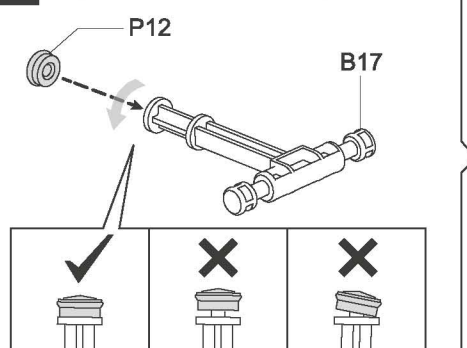


Hydraulic Module Assembly

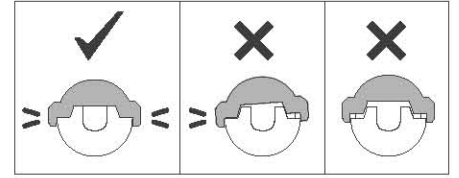
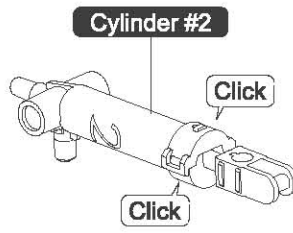
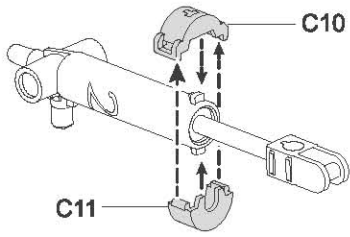
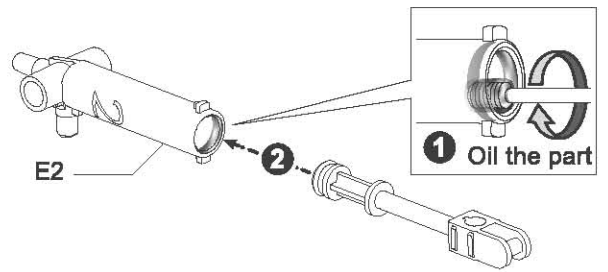
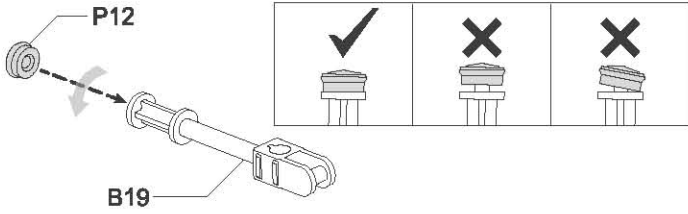
1 How To Oil The Parts



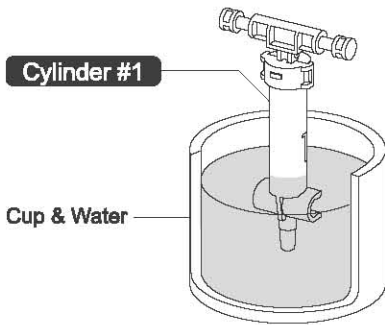
2 Cylinder #1 Assembly



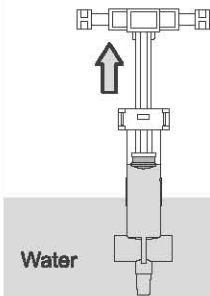
3 Cylinder #2 Assembly



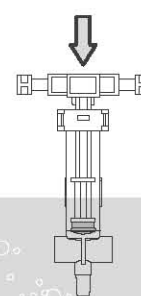
4 How To Fill Up The Cylinder #1 With Water



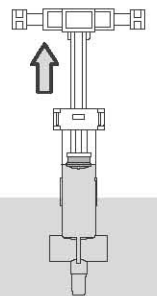
1 Pull up the piston to the top (as shown below).



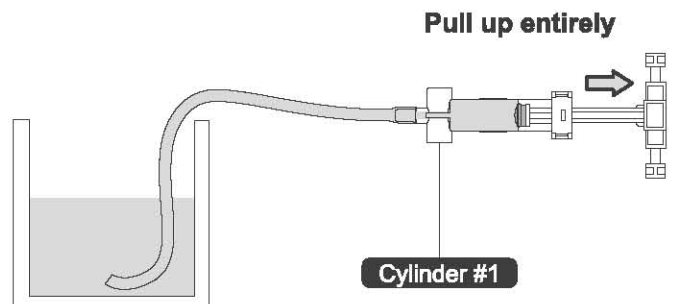
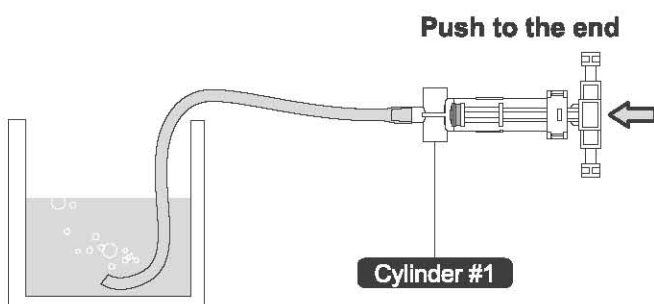
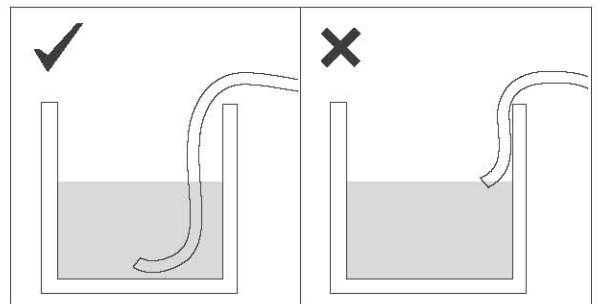
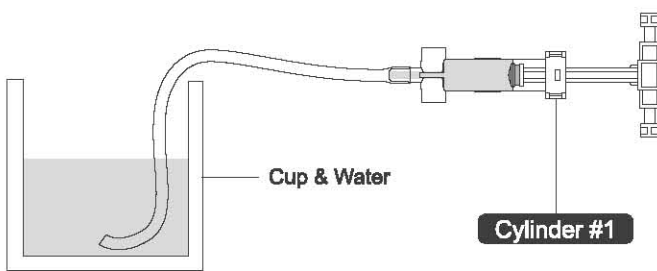
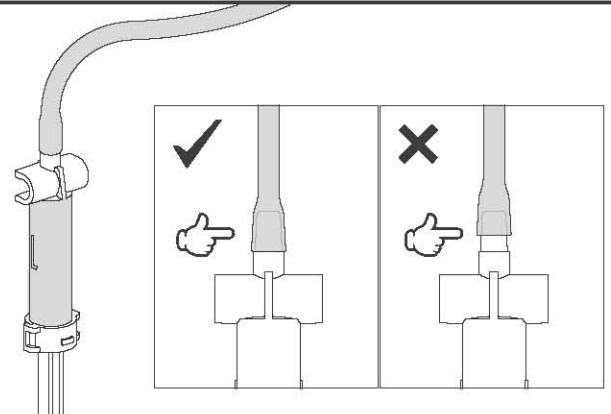
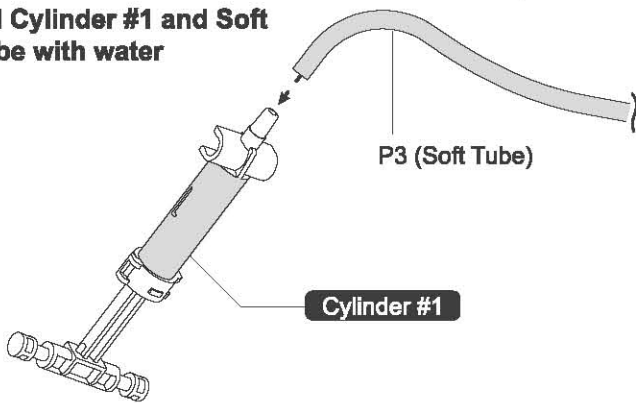
2 Press down the piston to the bottom.



3 Re-do 2 3 to fill up the cylinder with water



5 Fill Cylinder #1 and Soft Tube with water



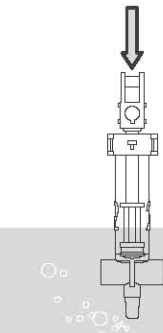
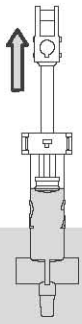
6 Fill Up The Cylinder #2 With Water

Press down the piston of cylinder #2 to the bottom

7 Hydraulic module

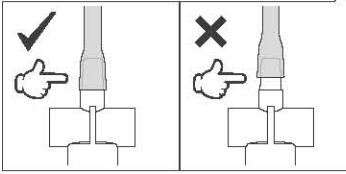
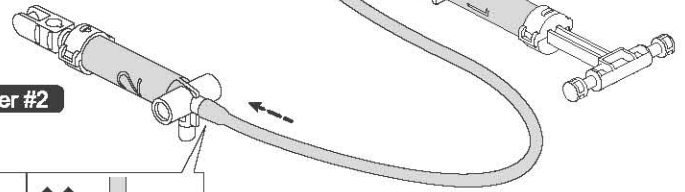
Cylinder #2

Water



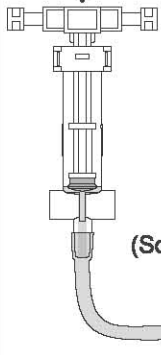
Cylinder #2

Cylinder #1

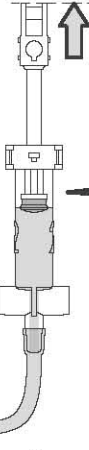


Hydraulic Module Testing

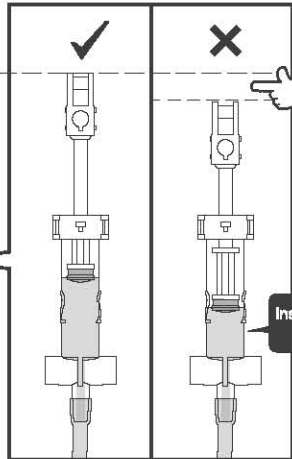
Cylinder #1
Push to the end



Cylinder #2

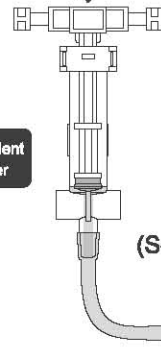


P3
(Soft Tube)

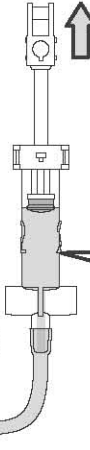


Insufficient water

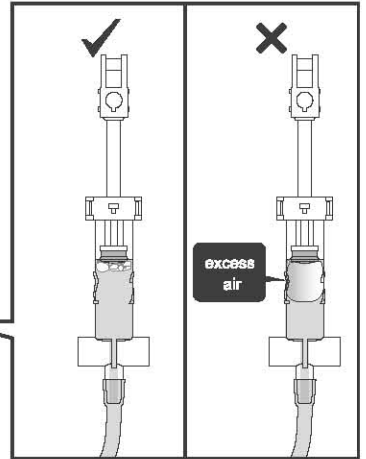
Cylinder #1
Push to the end



Cylinder #2



P3
(Soft Tube)



excess air

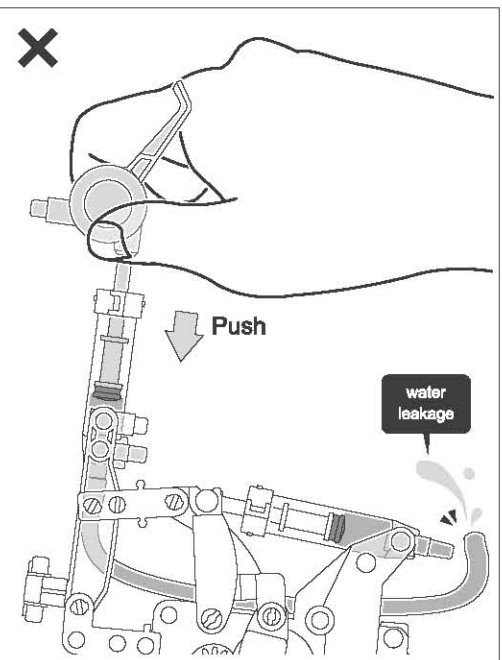
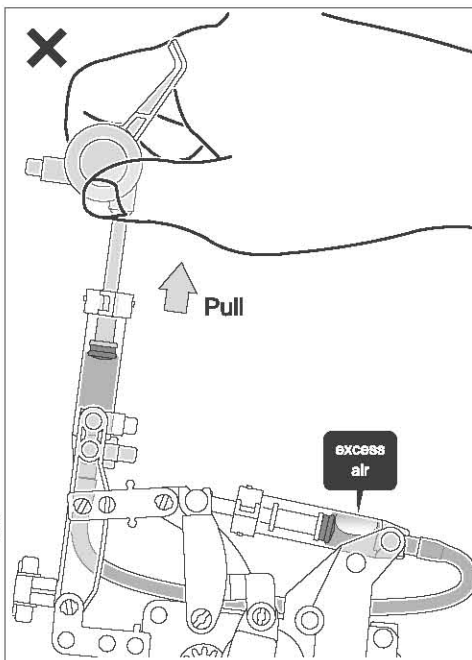
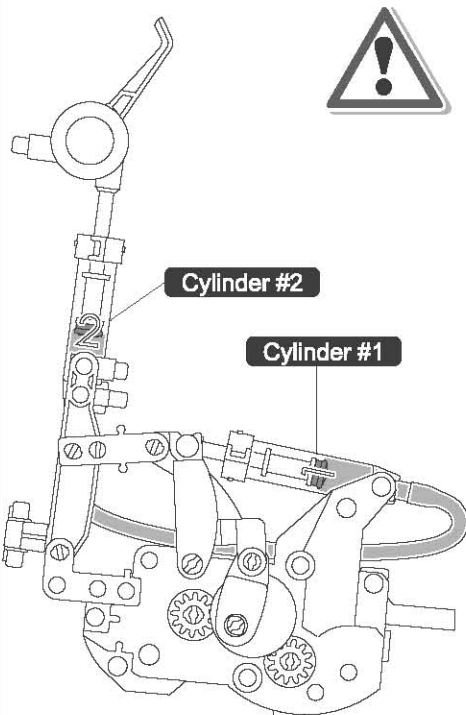
If hydraulic module experiences above failures, back to page 5-6, step 4-7 and fill up the cylinder with water

Notices!! Very important - Hydraulic Module

Notice 1 : Ensure Hydraulic Module is without the above failures before assembly of each model

Notice 2 : During assembly of each model, Do not Push or pull Cylinder #2 when hydraulic module is installed

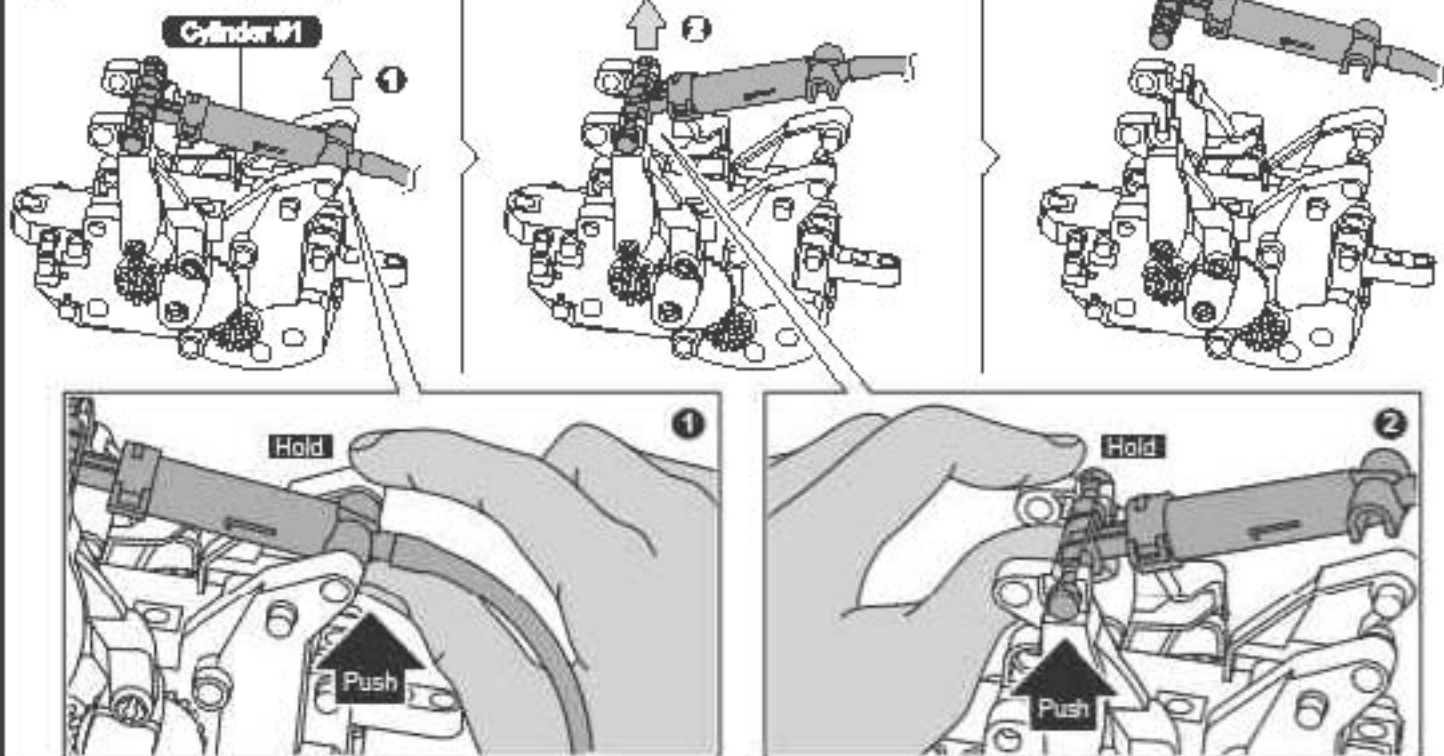
Example : Ostrich



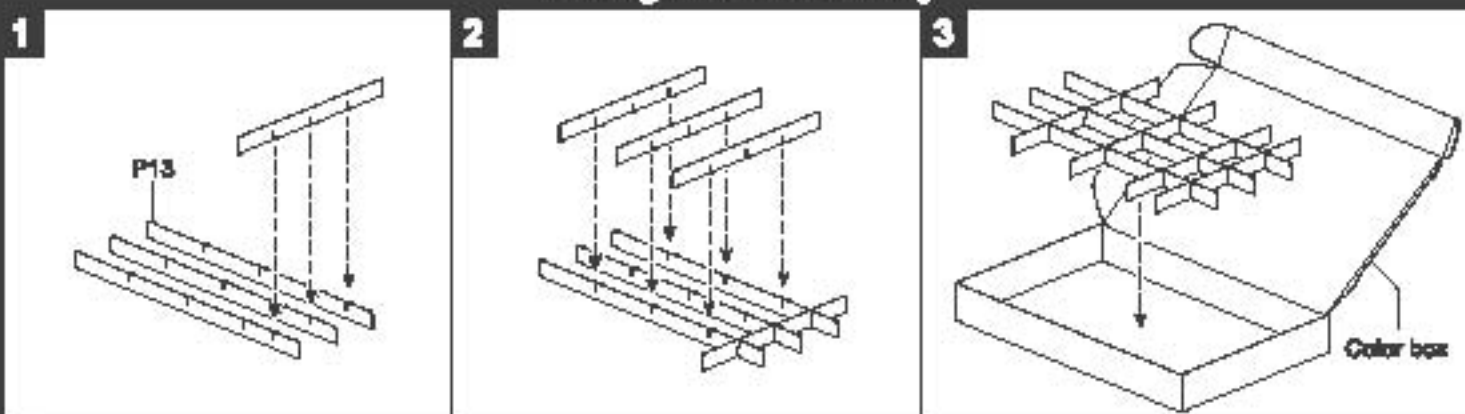
In these cases, go back to page 5-6, step 4-7 and fill up the cylinder with water

Notice 3 : To smooth the disassembly steps, take down Cylinder #1 first, then Cylinder#2

Tips - disassembly of Cylinder #1

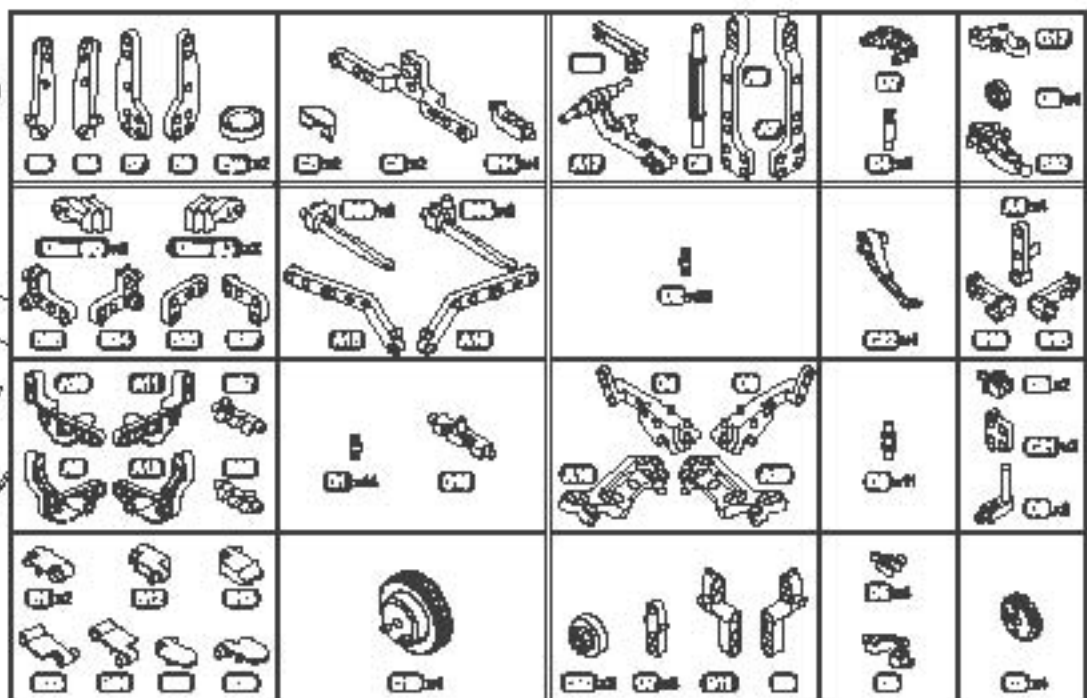
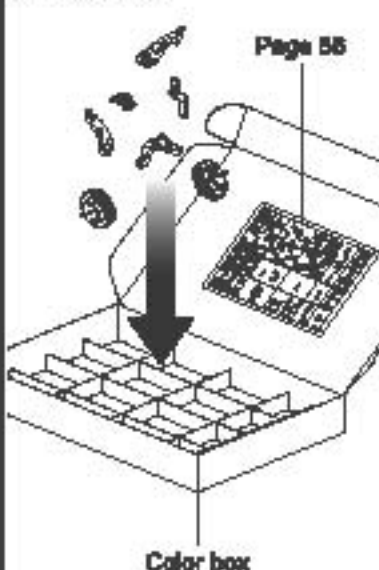


Storage box assembly



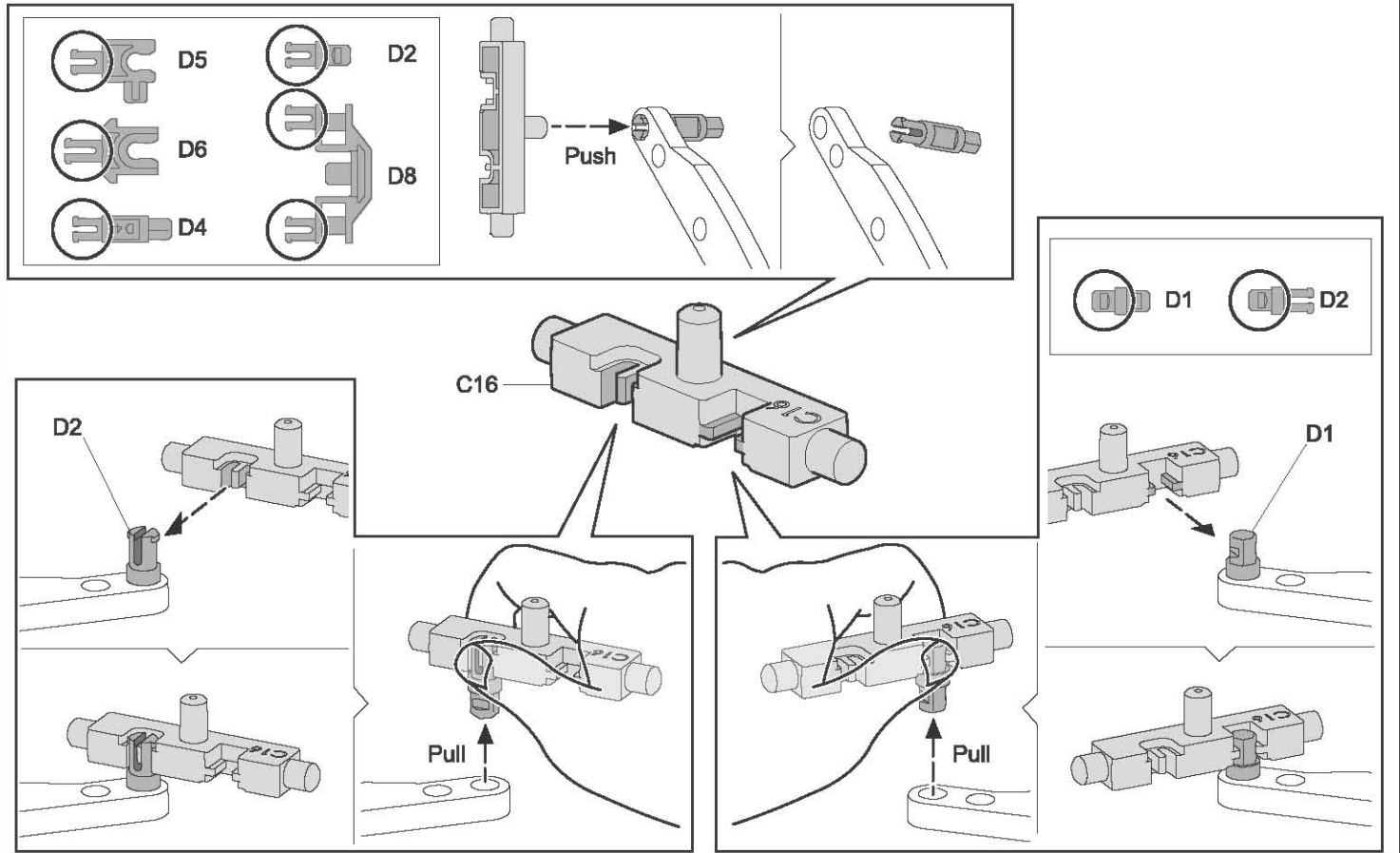
4

Sorting & Storing parts
(as per the right illustration)
into the box.

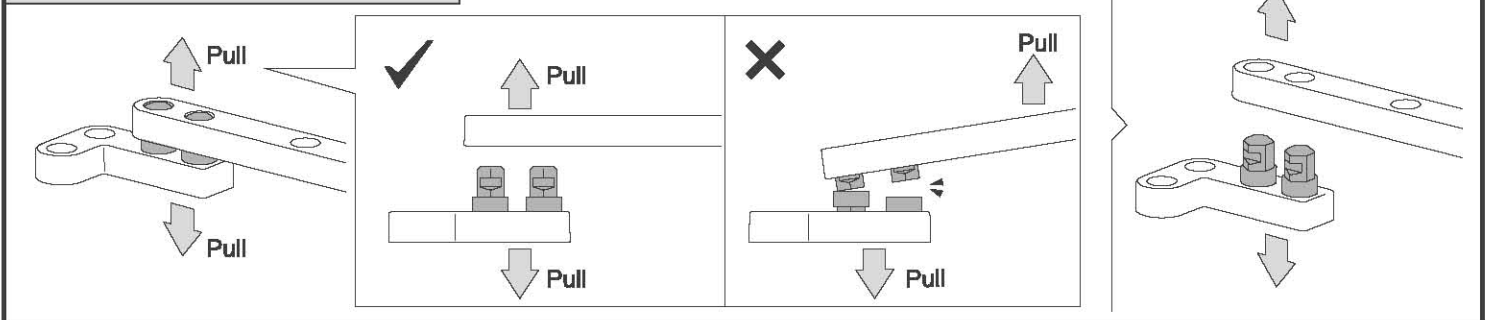


Tips: Plastic parts Disassembly

1. How to use C16- assistance tool

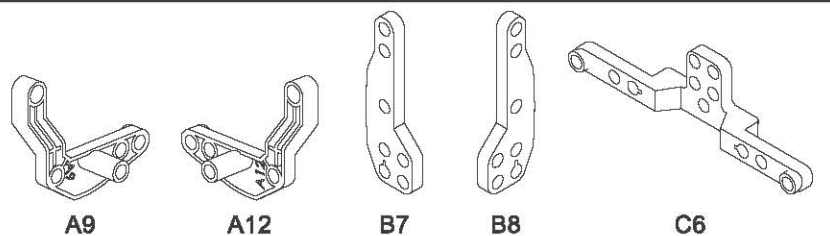
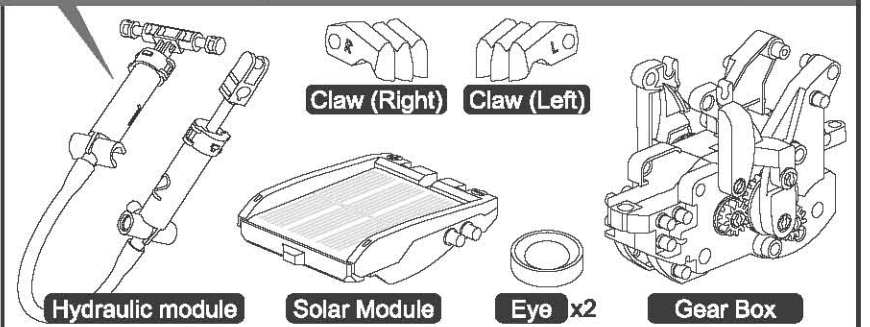
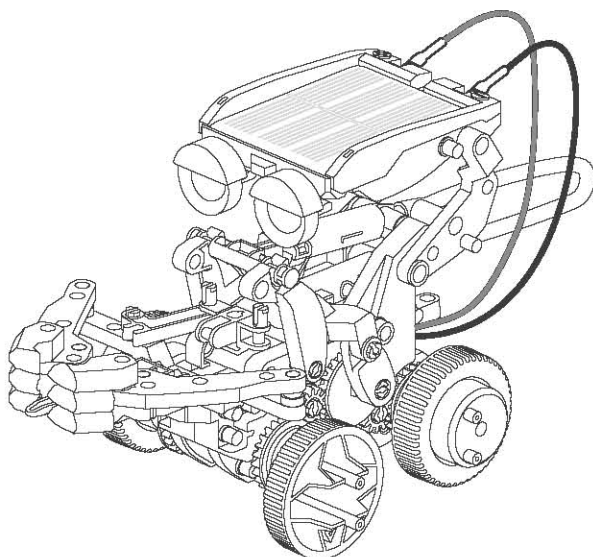


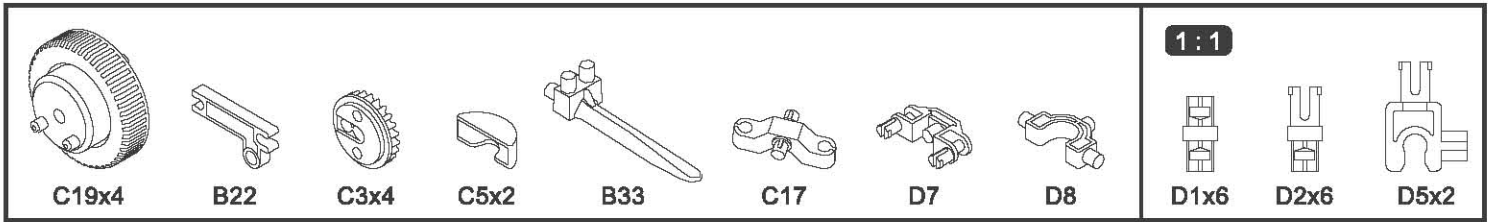
2. Pull and Release the parts



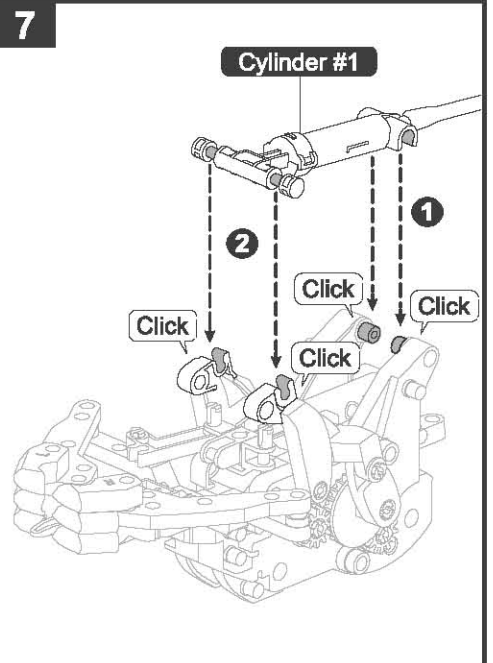
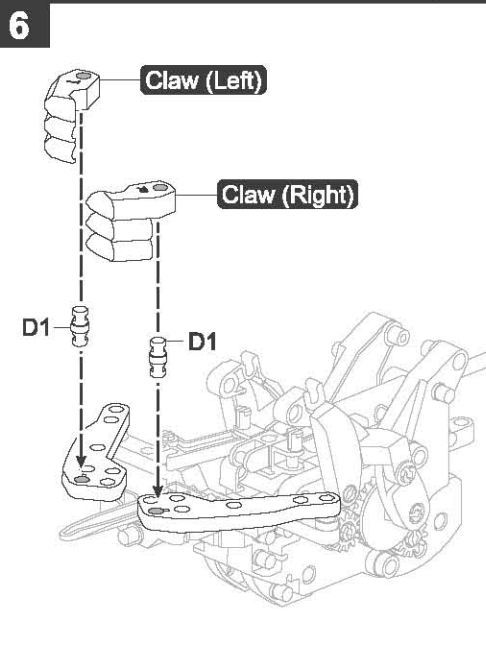
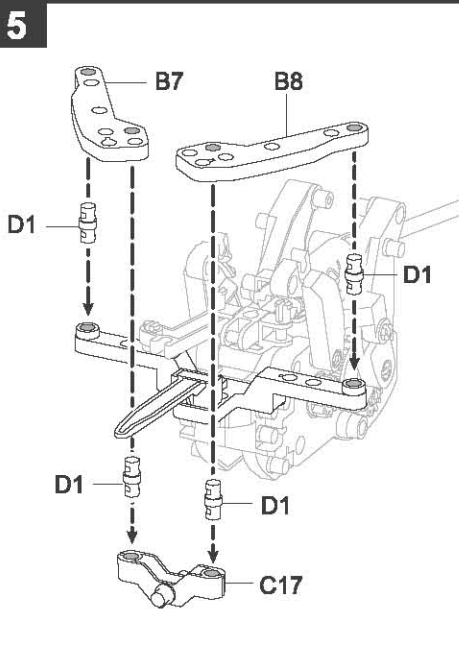
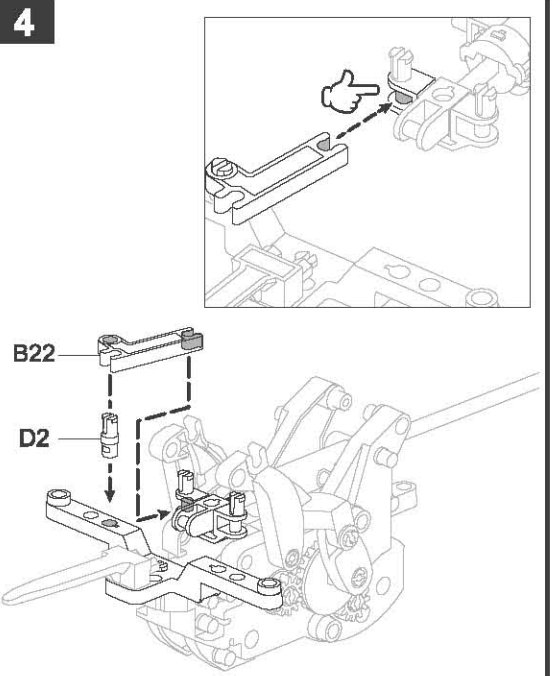
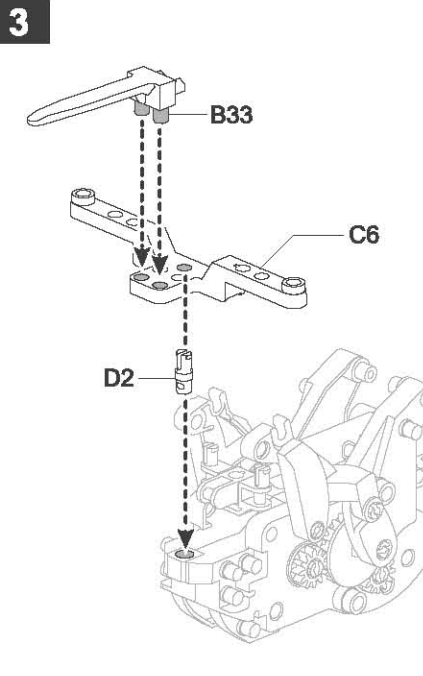
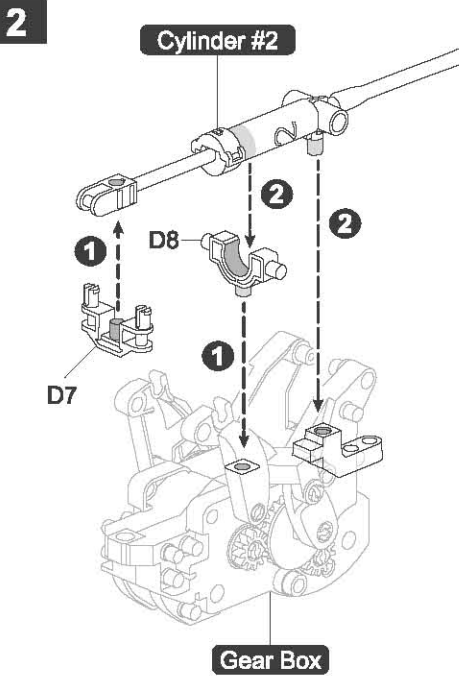
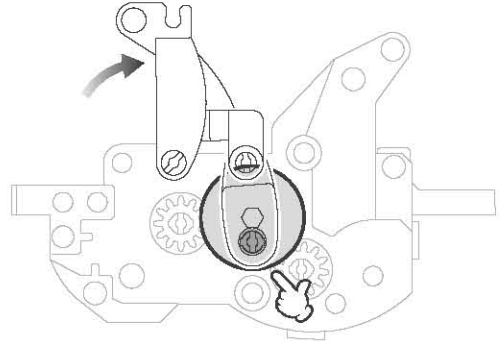
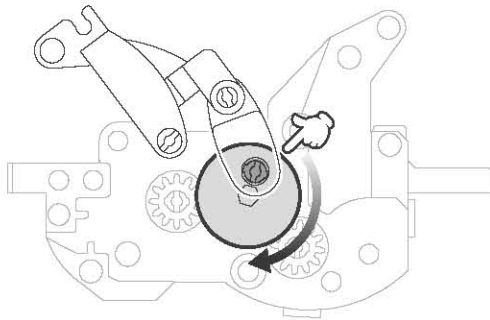
01. Obstacle avoiding Rover Assembly

Before assembly check the air condition in the cylinder and add water if necessary

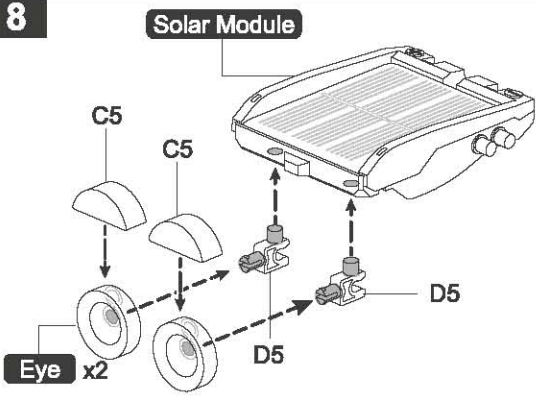




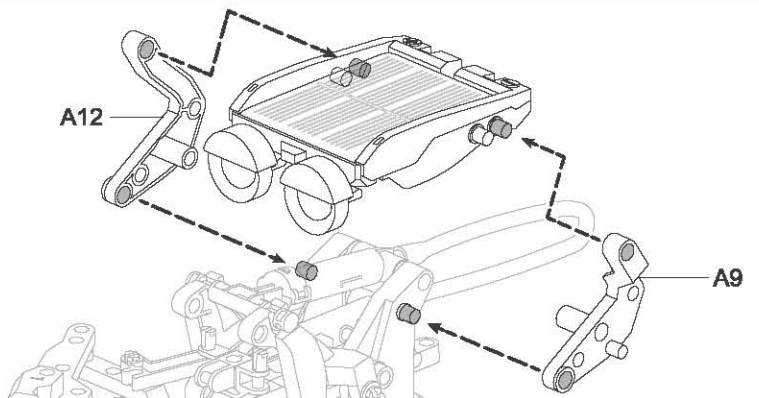
1 Adjust the cam (as below fig) before assembly.



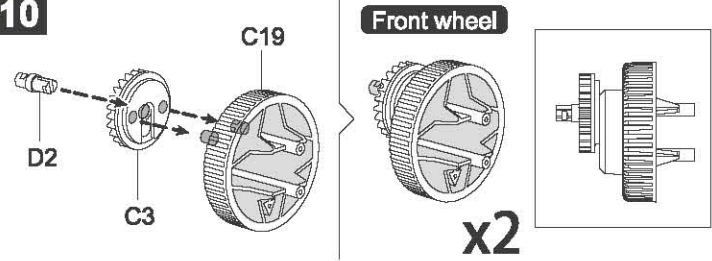
8



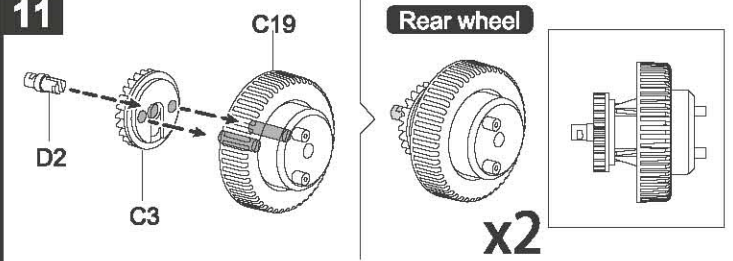
9



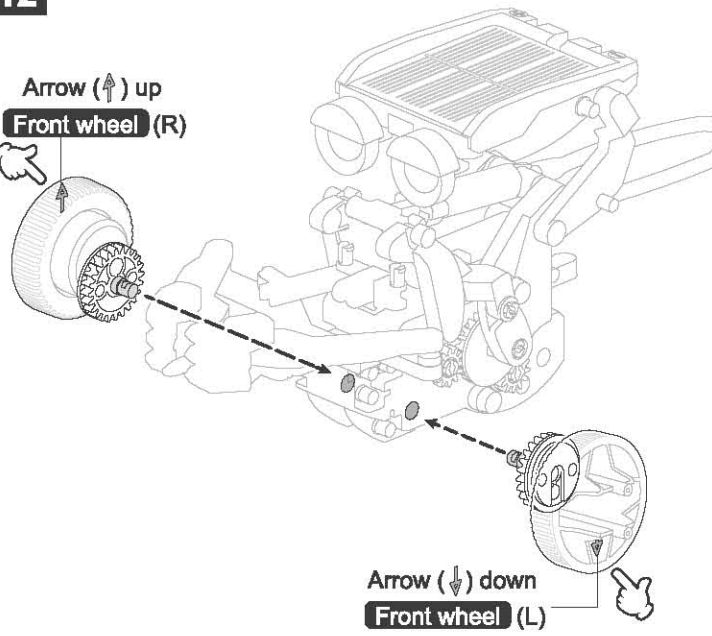
10



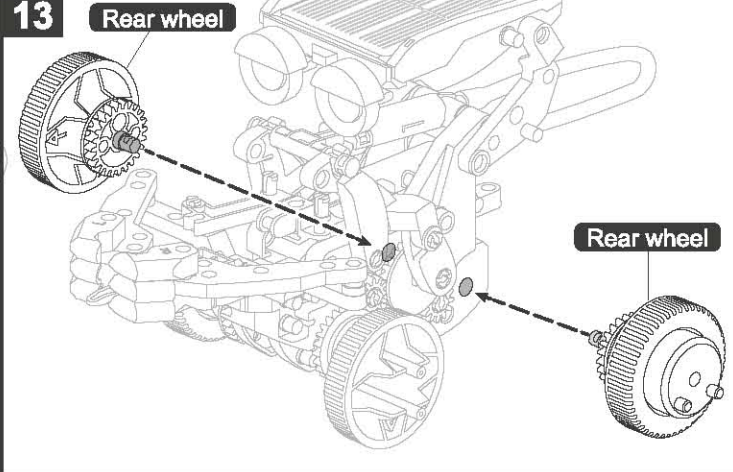
11



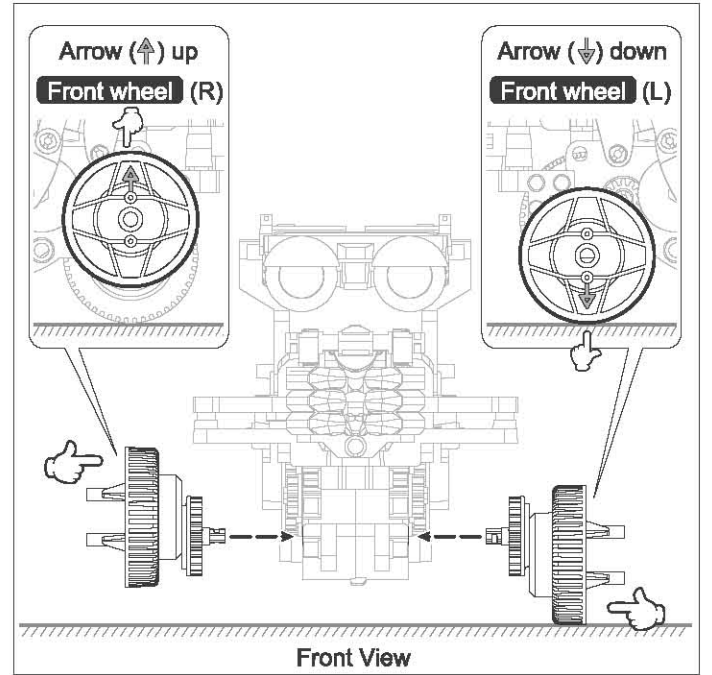
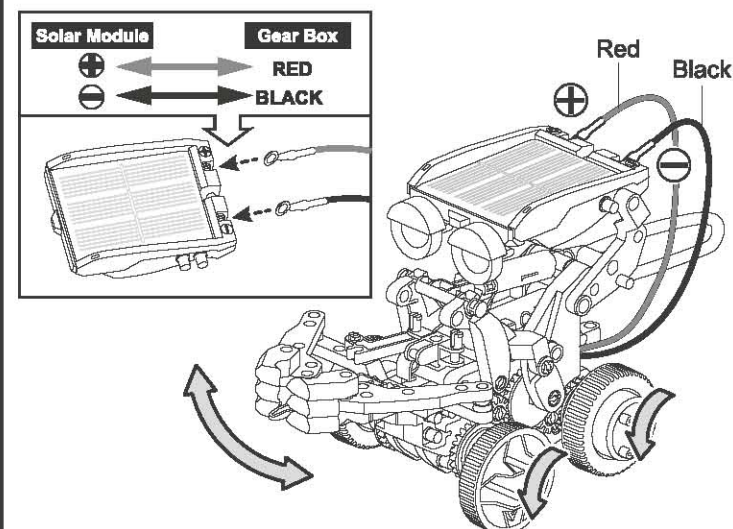
12



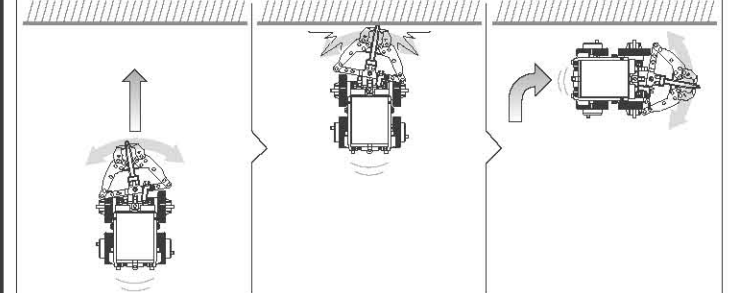
13



14



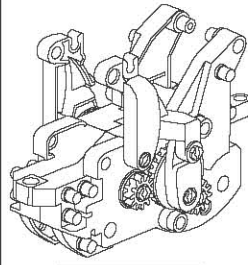
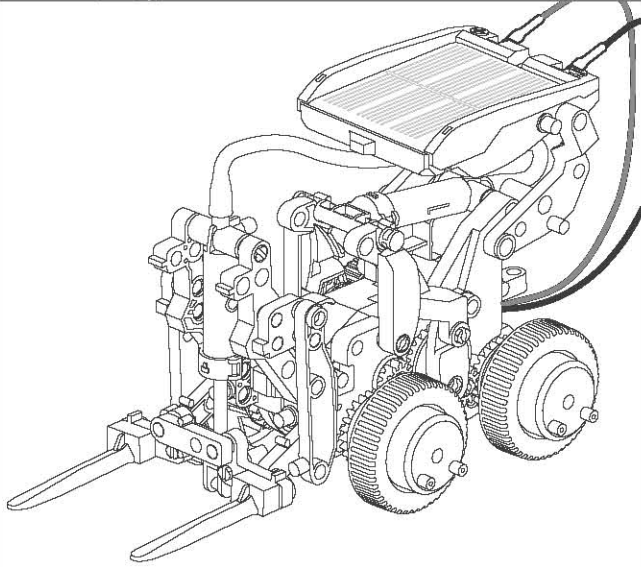
The rover goes and turns the other way when it is blocked by objects



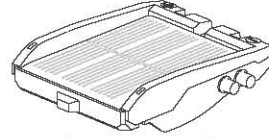
02. Forklift Assembly



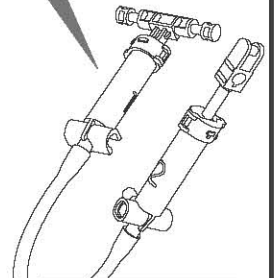
Before assembly check the air condition in the cylinder and add water if necessary



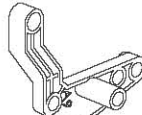
Gear Box



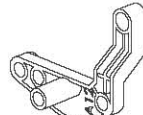
Solar Module



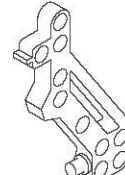
Hydraulic module



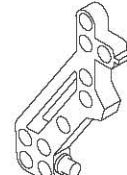
A9



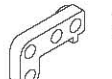
A12



A18



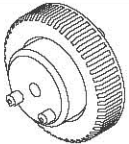
A19



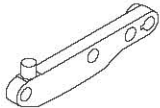
B36



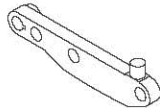
B37



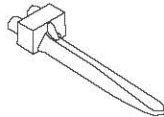
C19x4



B5



B6



B20x2



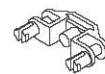
C21x2



C3x4



C7x3



D7

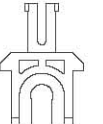
1:1



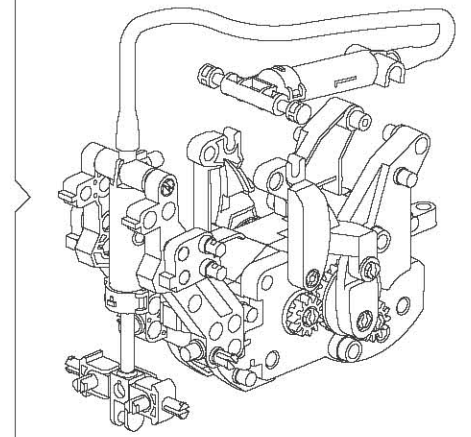
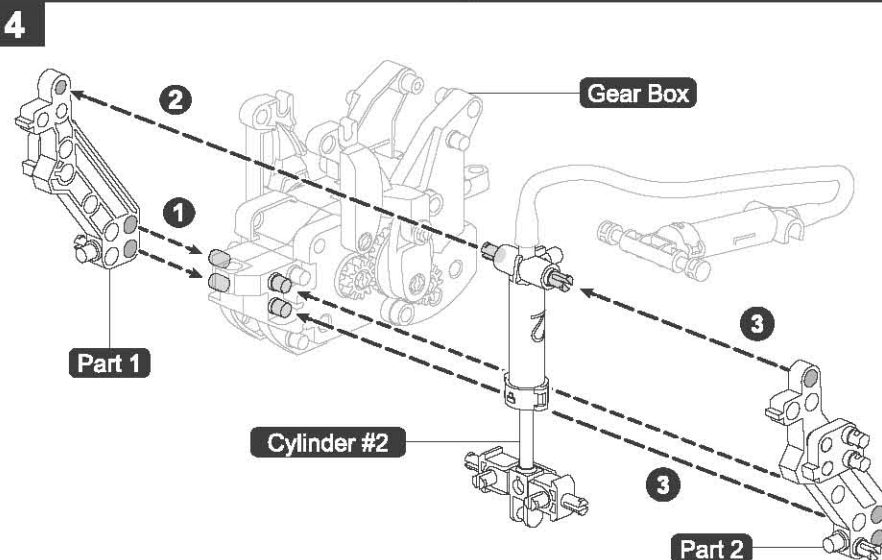
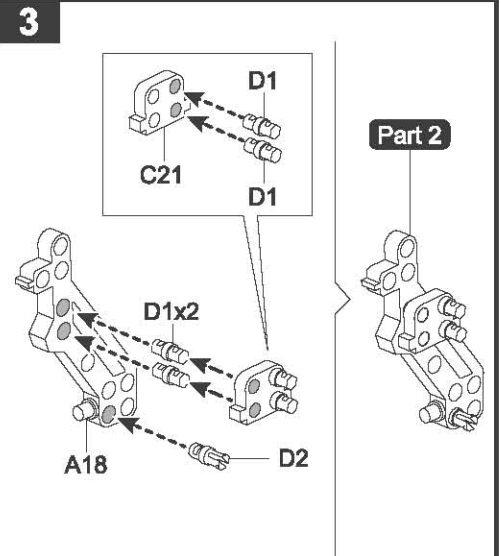
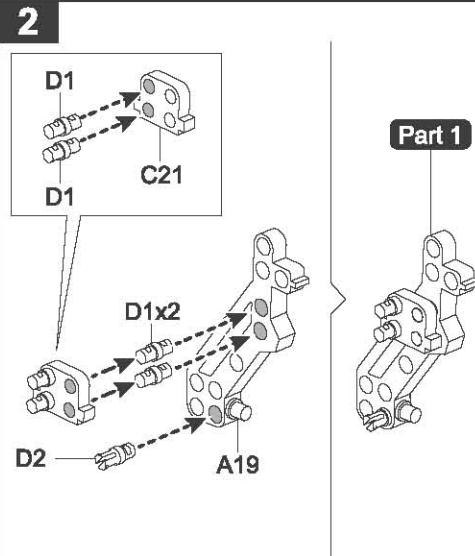
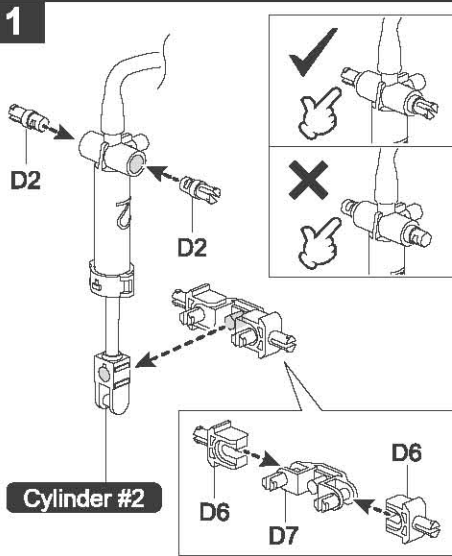
D1x10



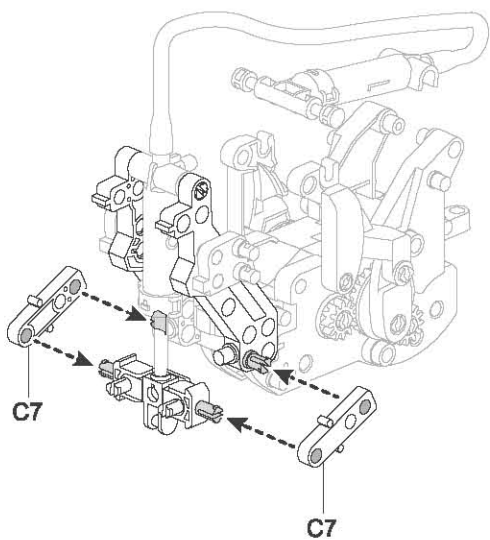
D2x8



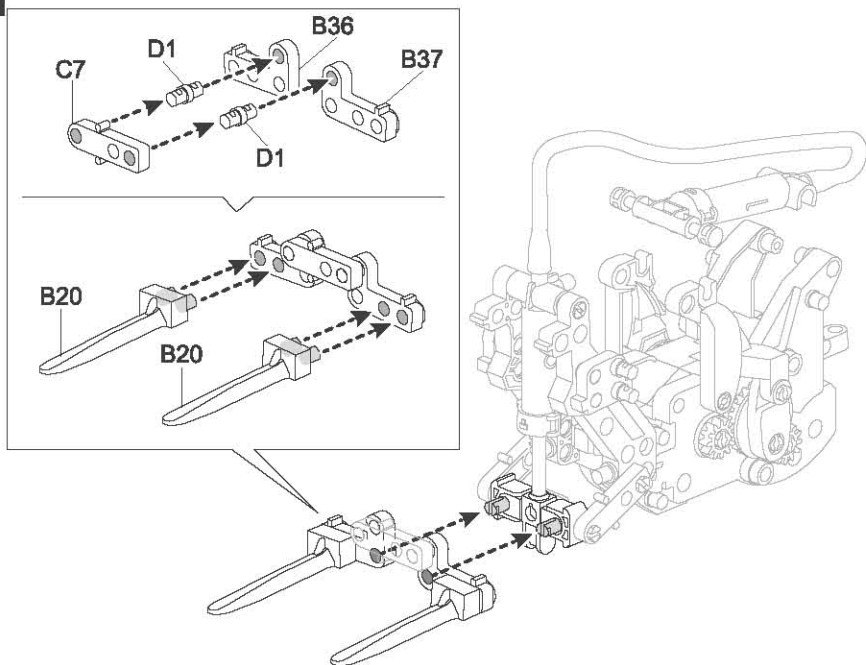
D6x2



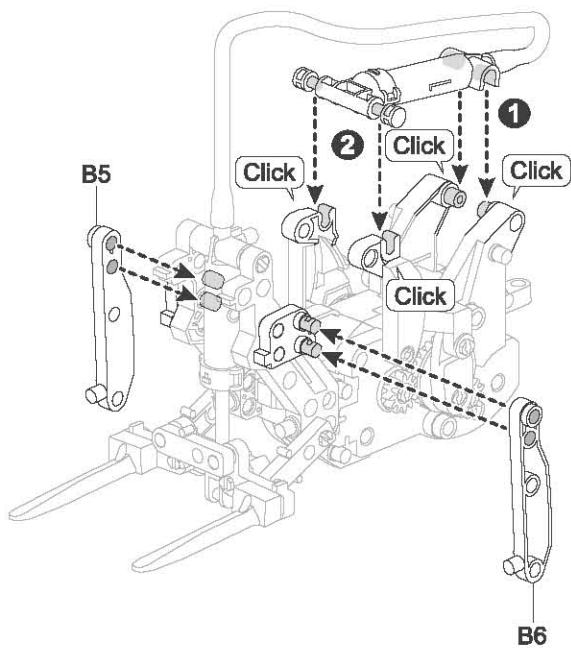
5



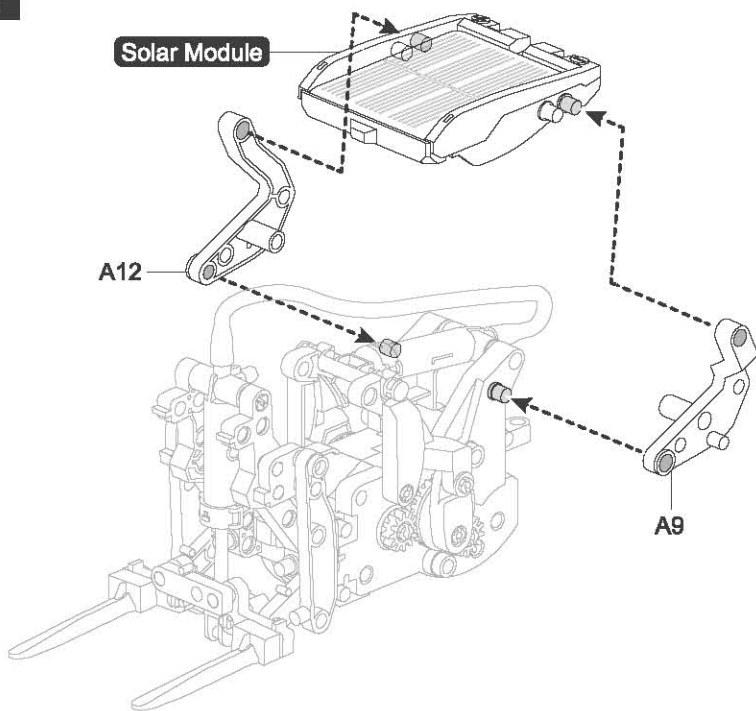
6



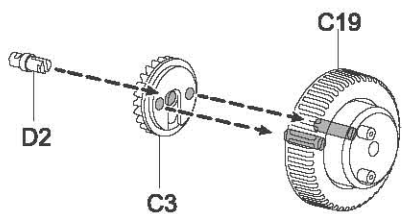
7



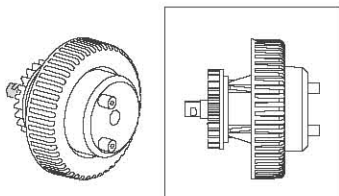
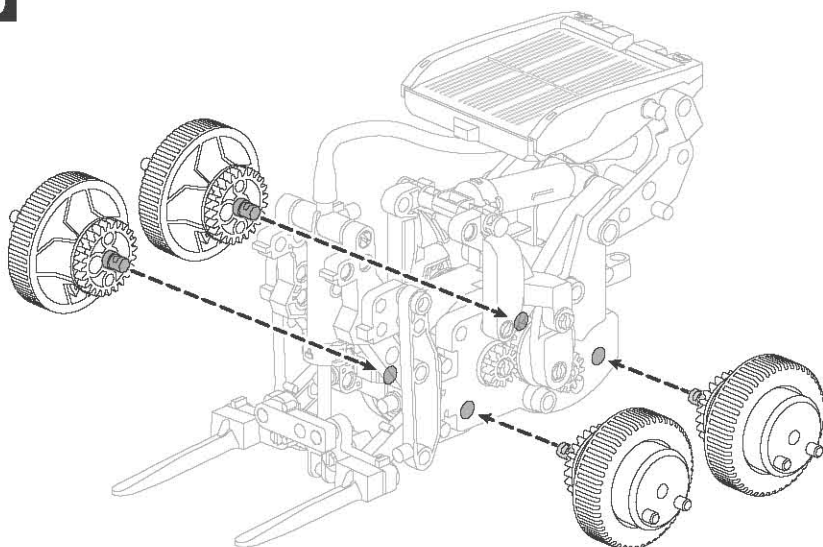
8



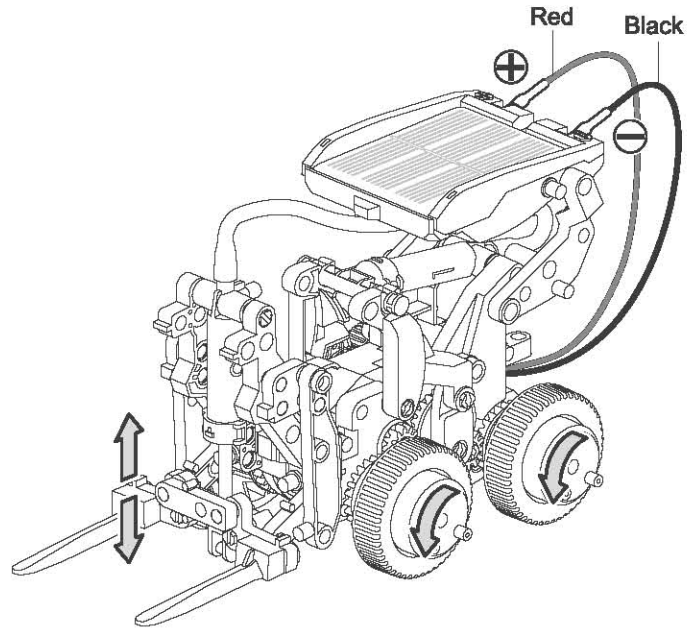
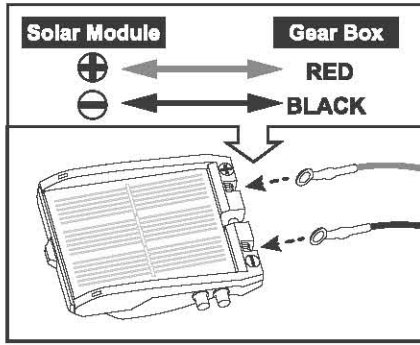
9



10

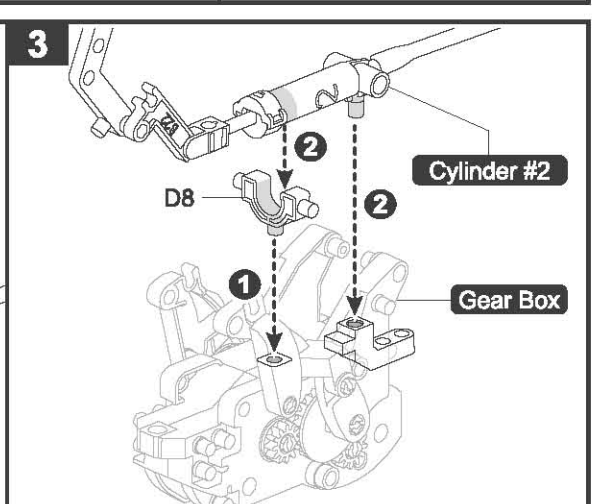
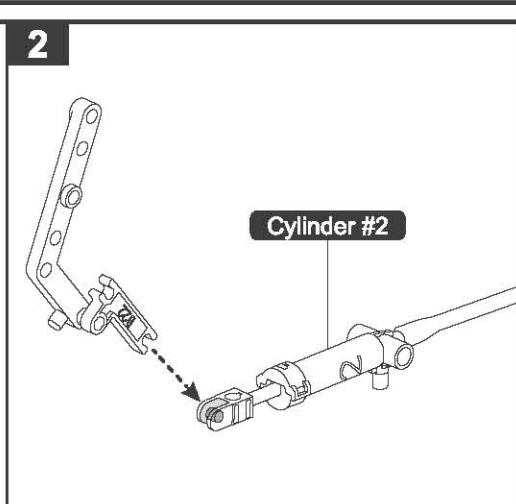
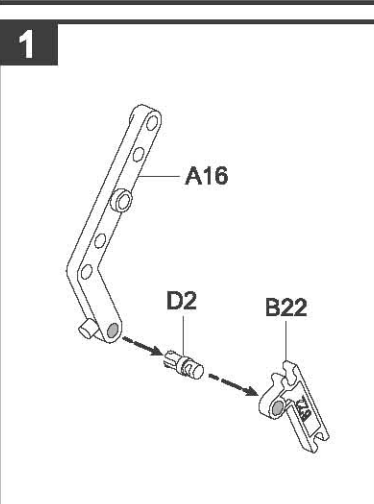
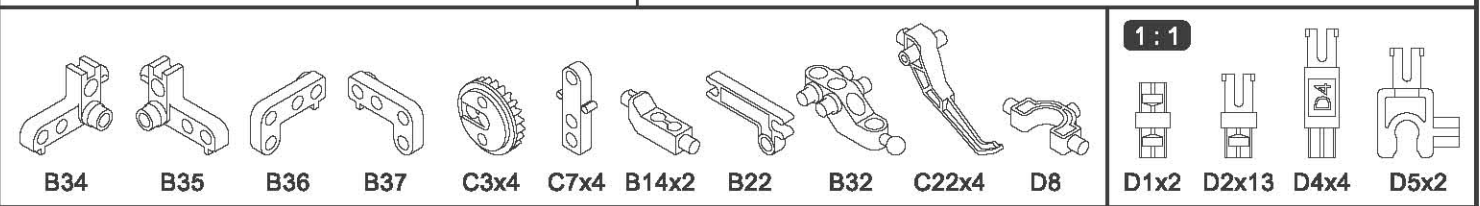
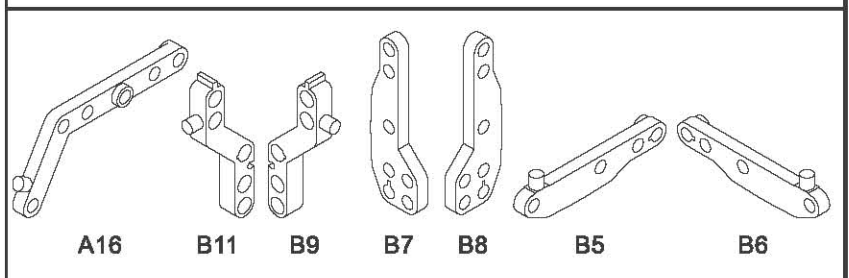
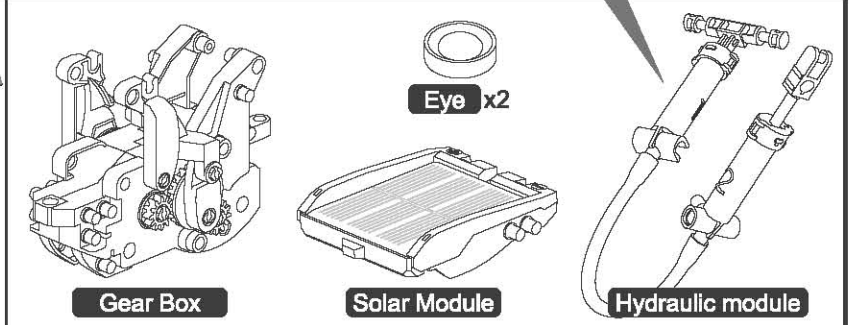
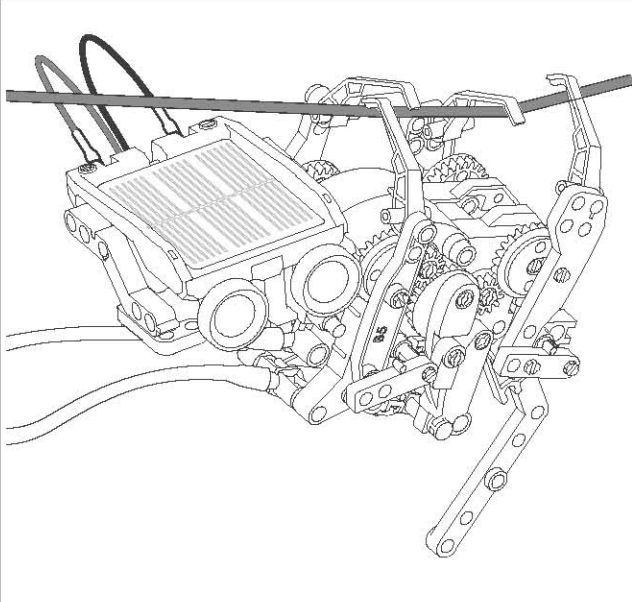


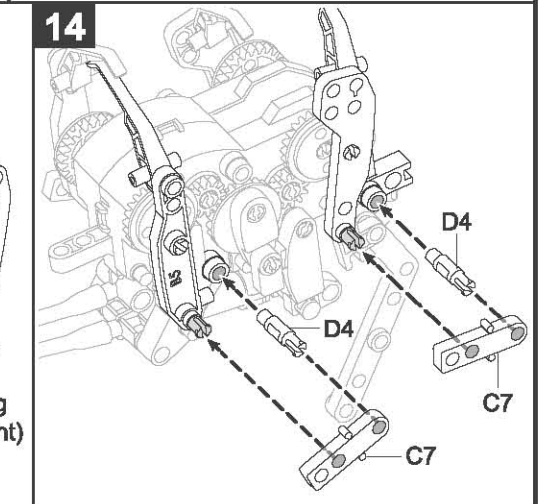
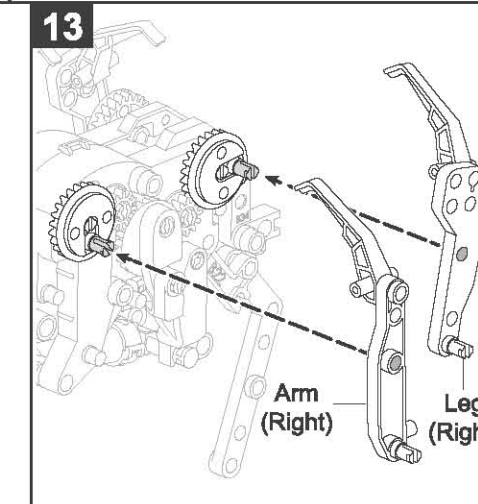
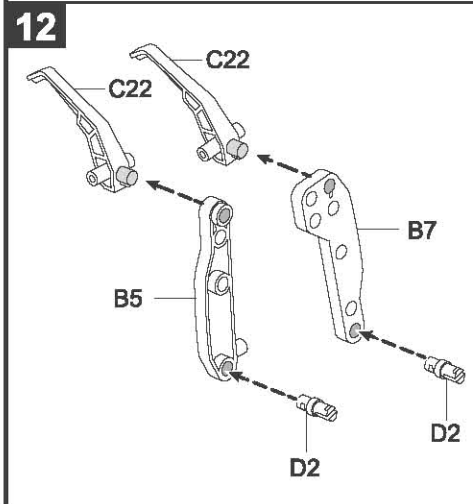
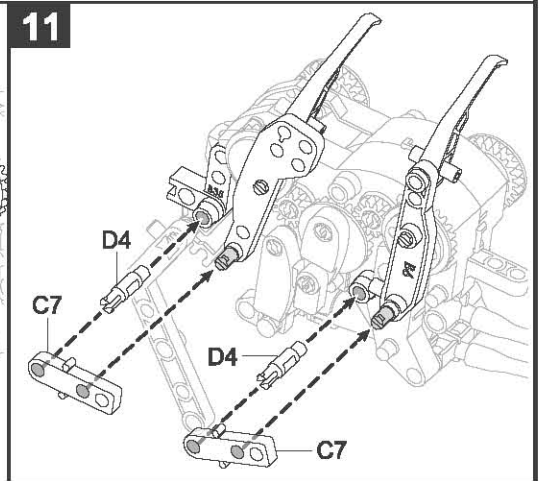
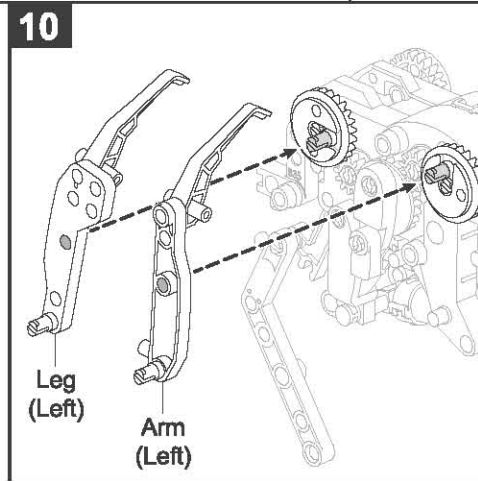
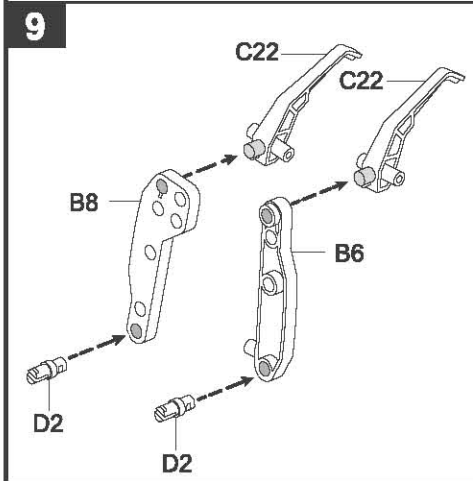
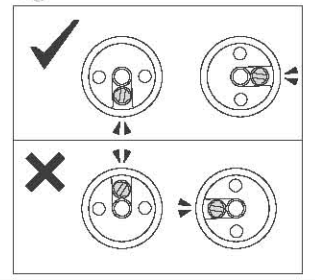
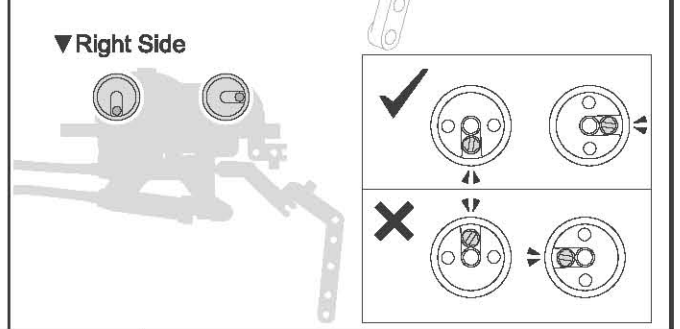
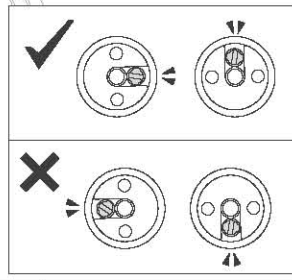
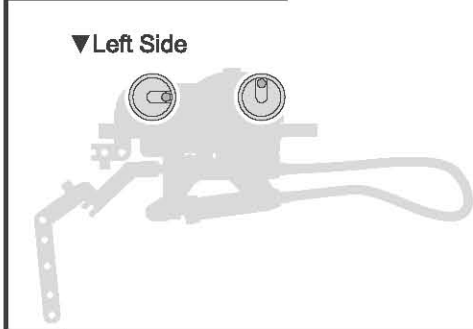
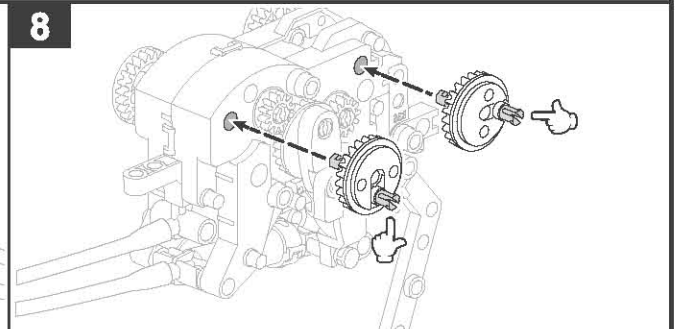
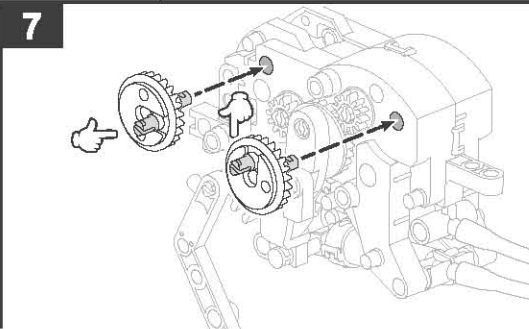
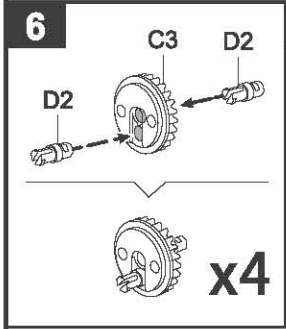
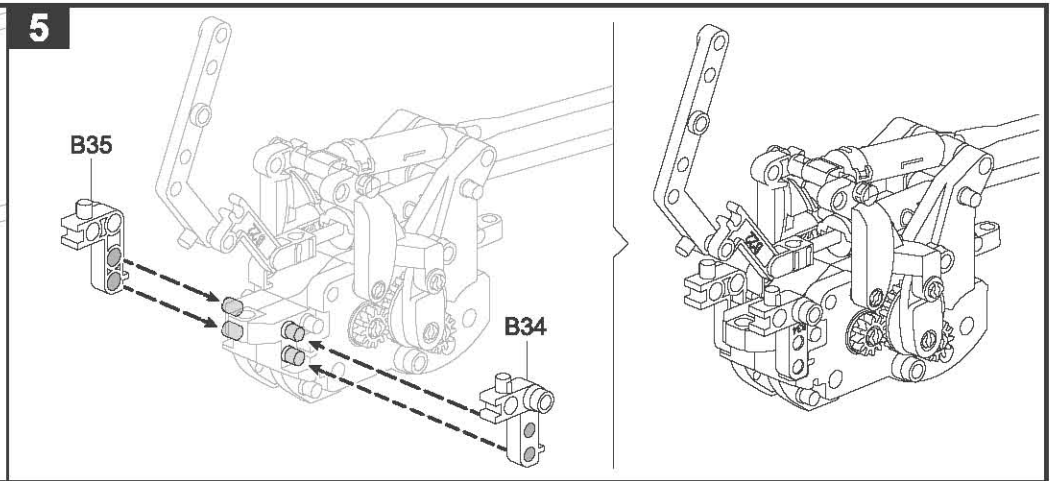
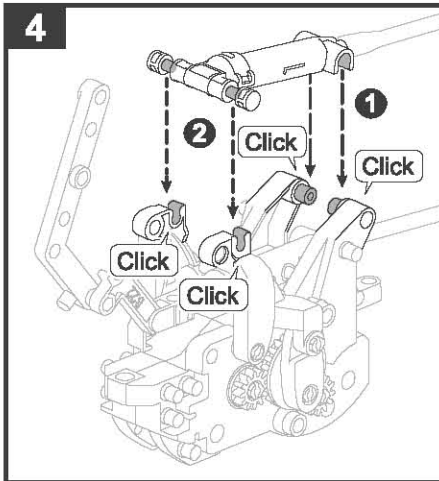
x4

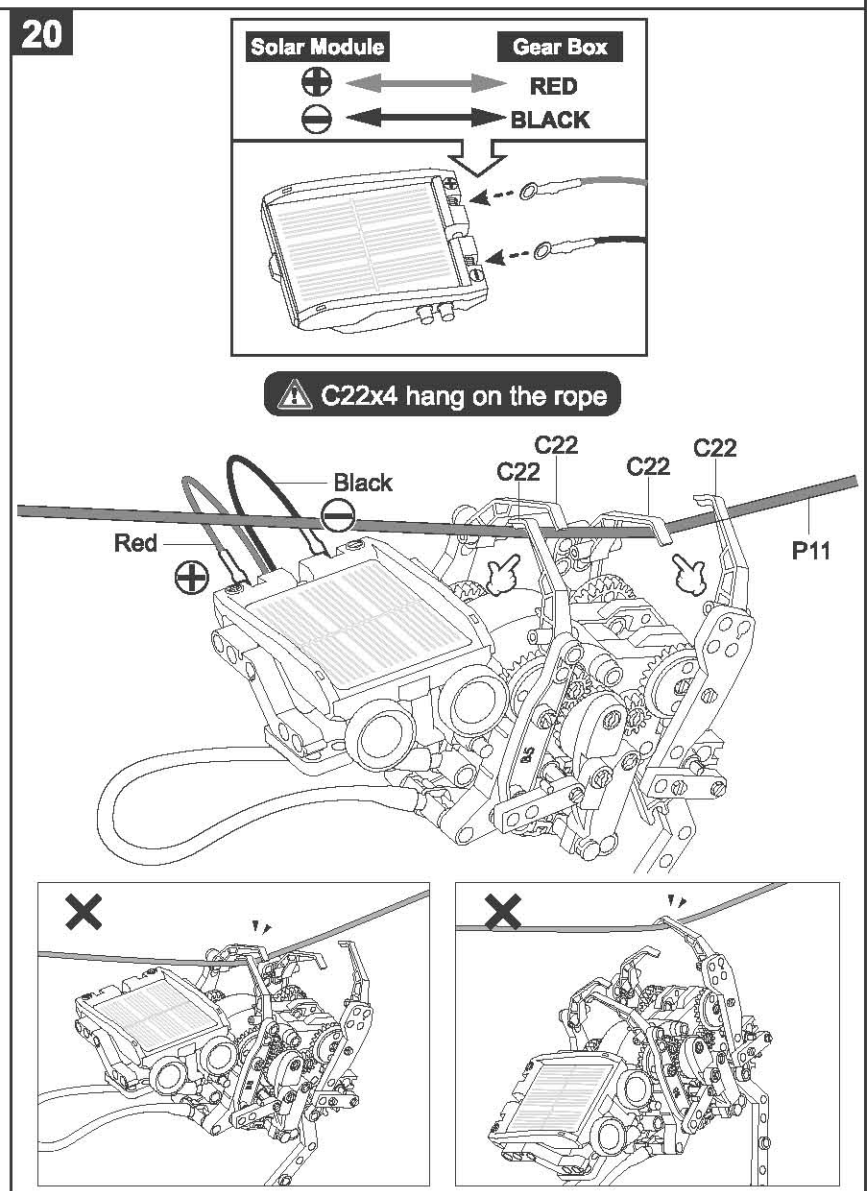
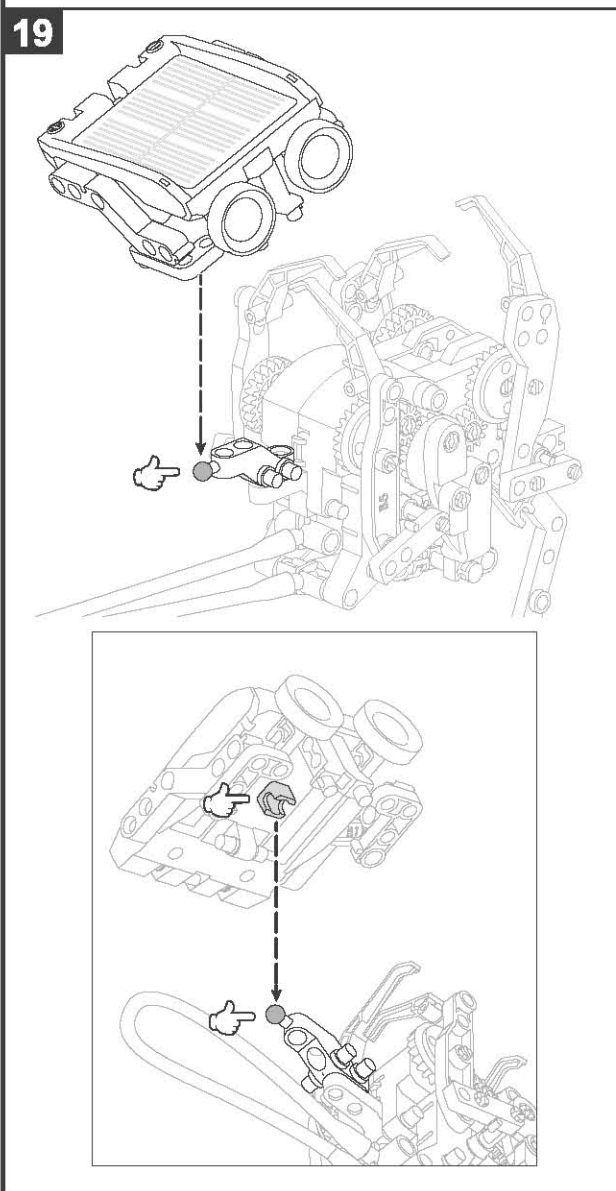
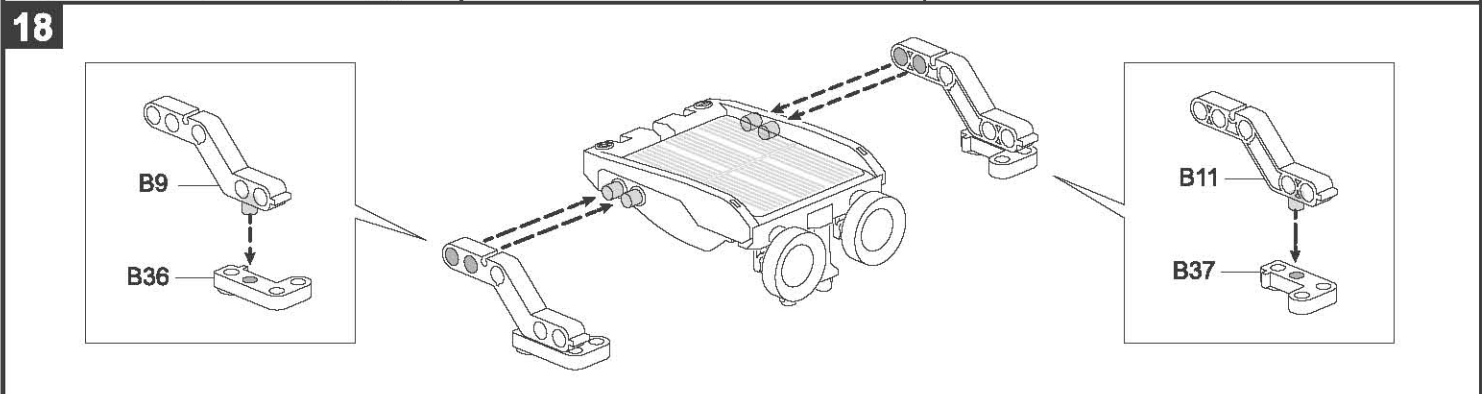
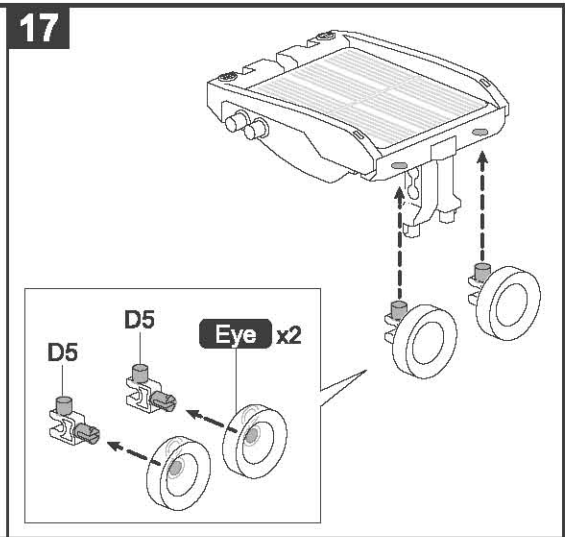
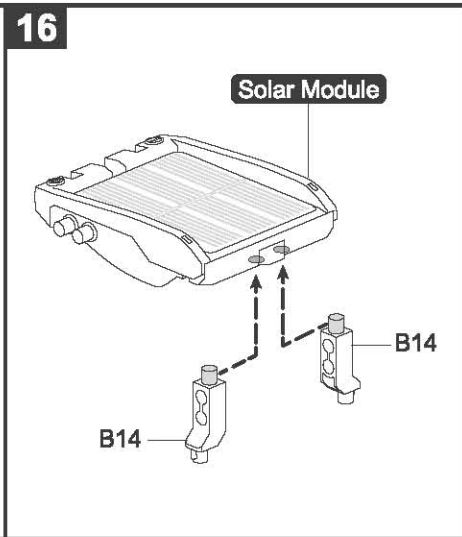
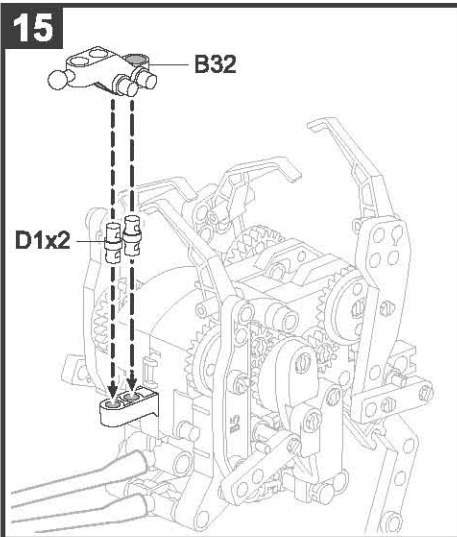


03. Monkey Assembly

Before assembly check the air condition in the cylinder and add water if necessary

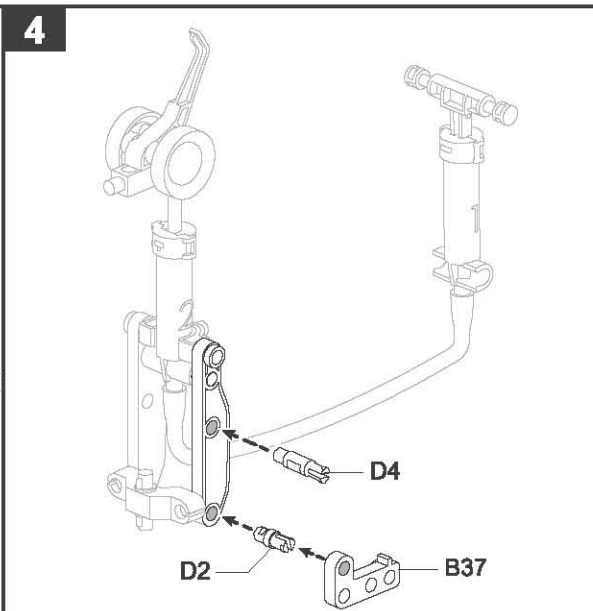
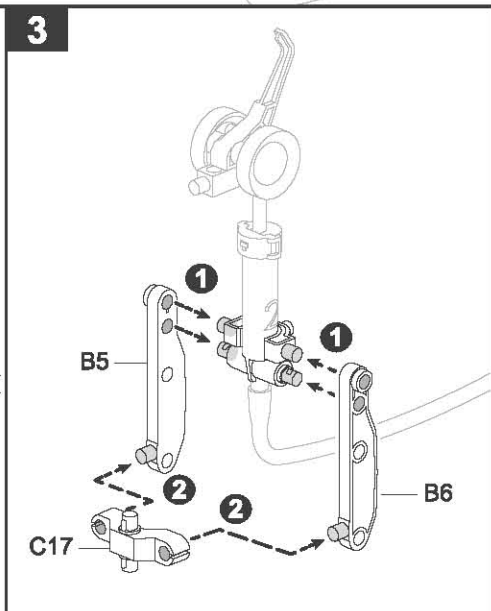
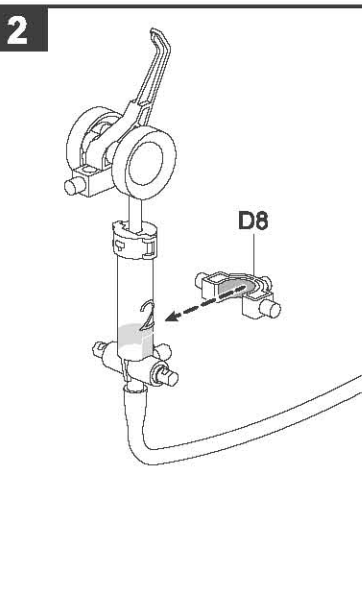
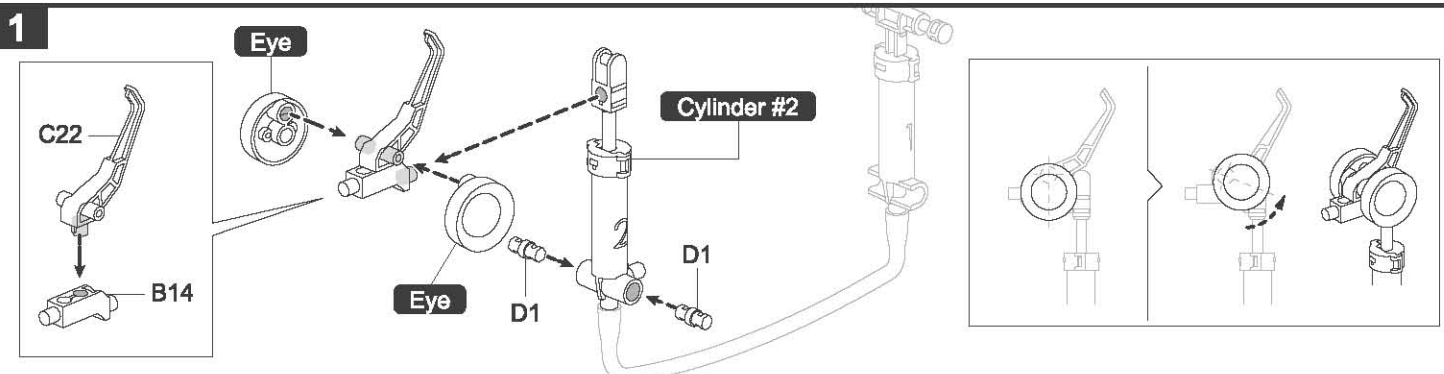
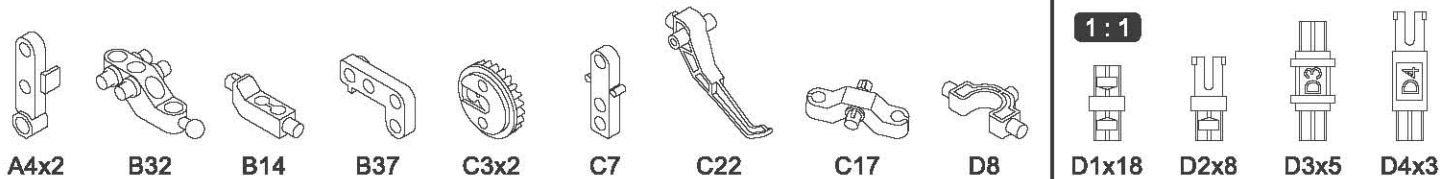
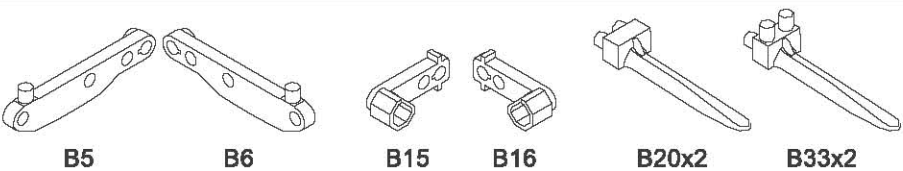
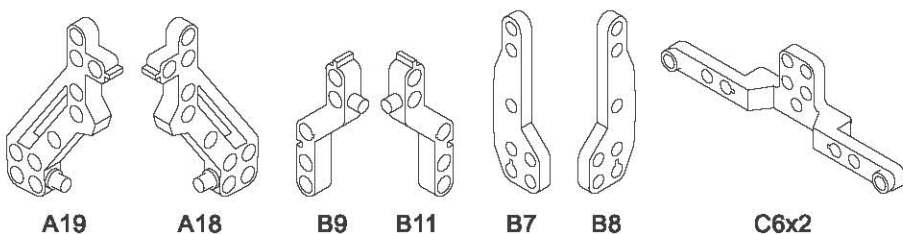
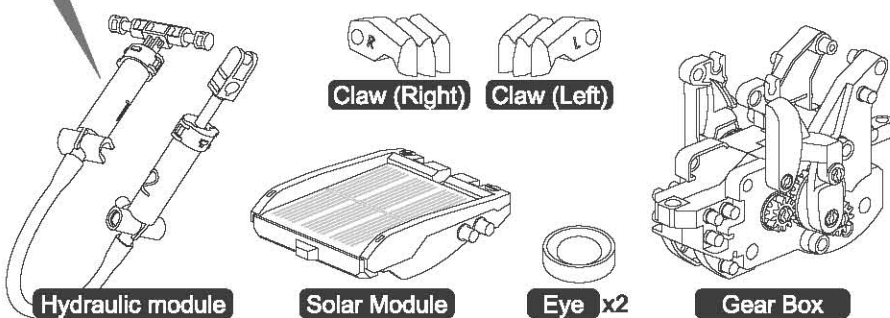
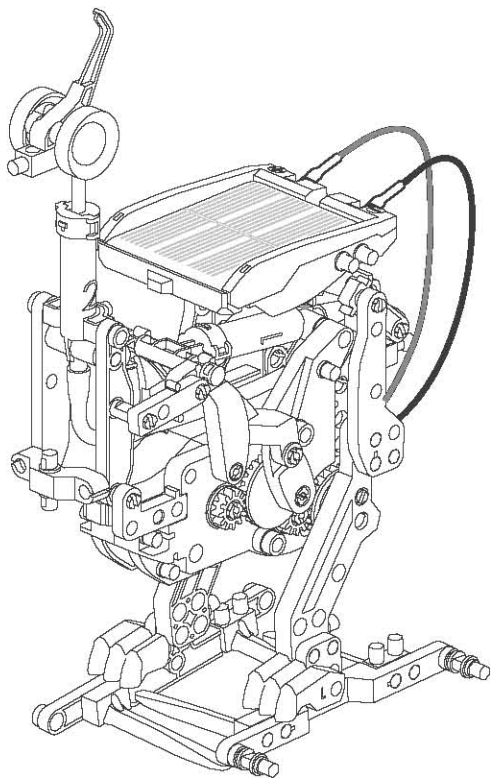


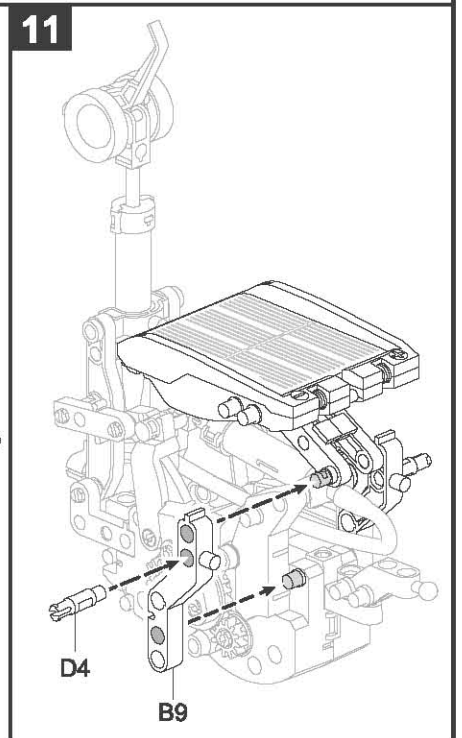
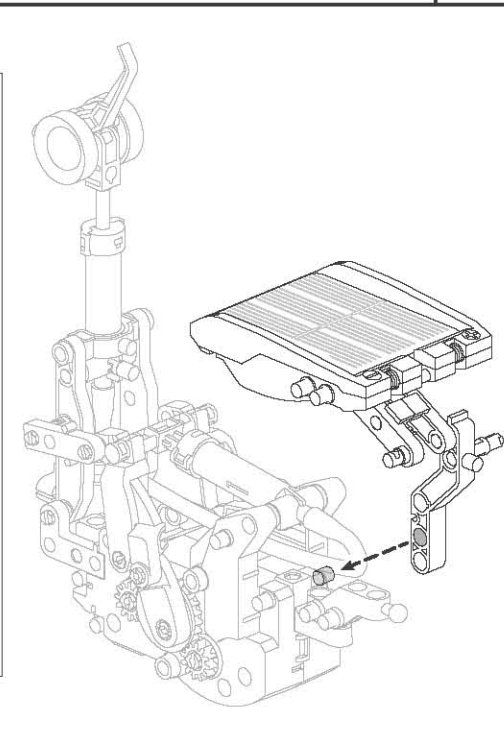
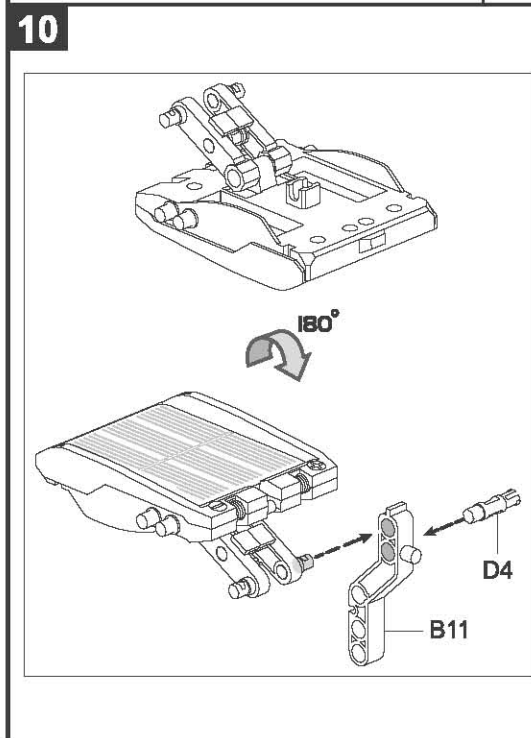
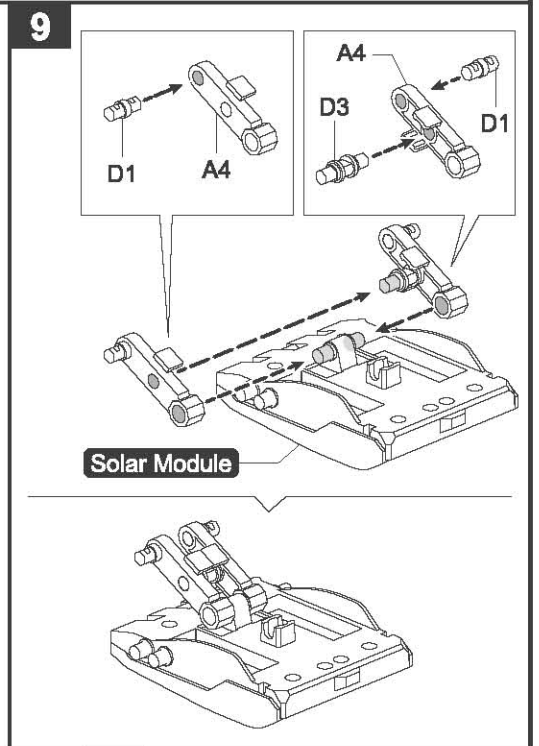
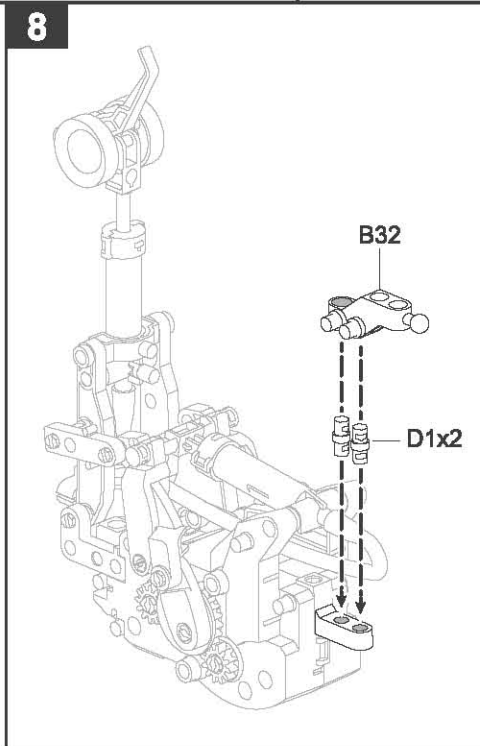
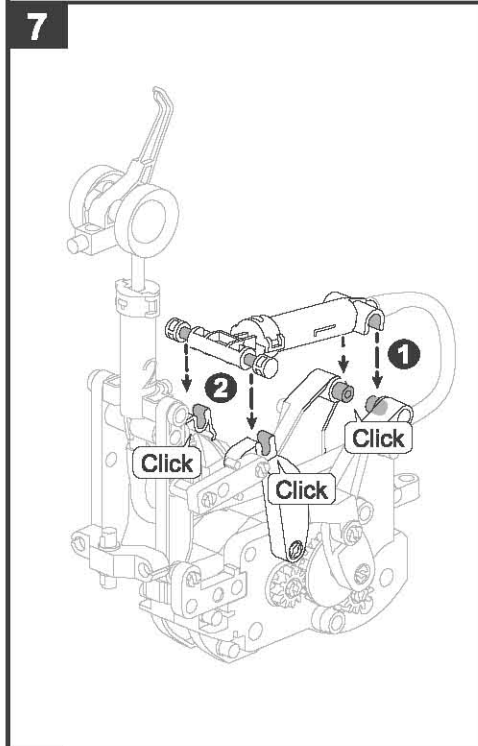
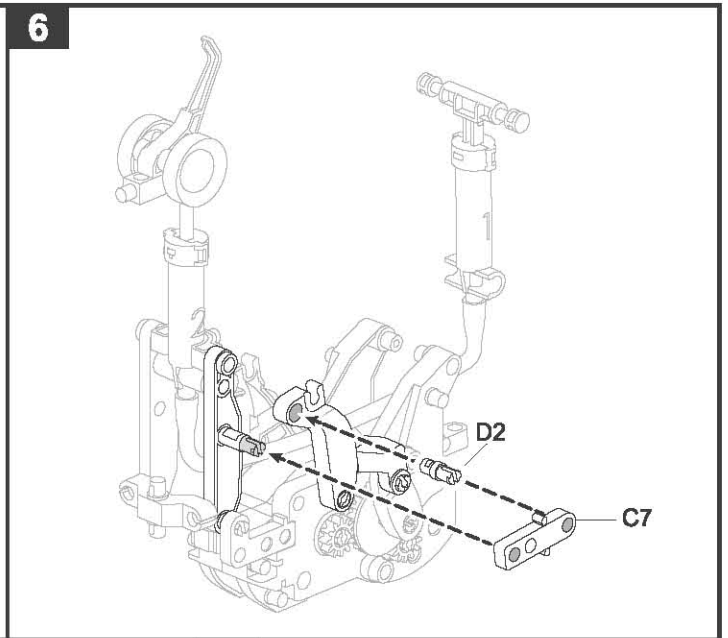
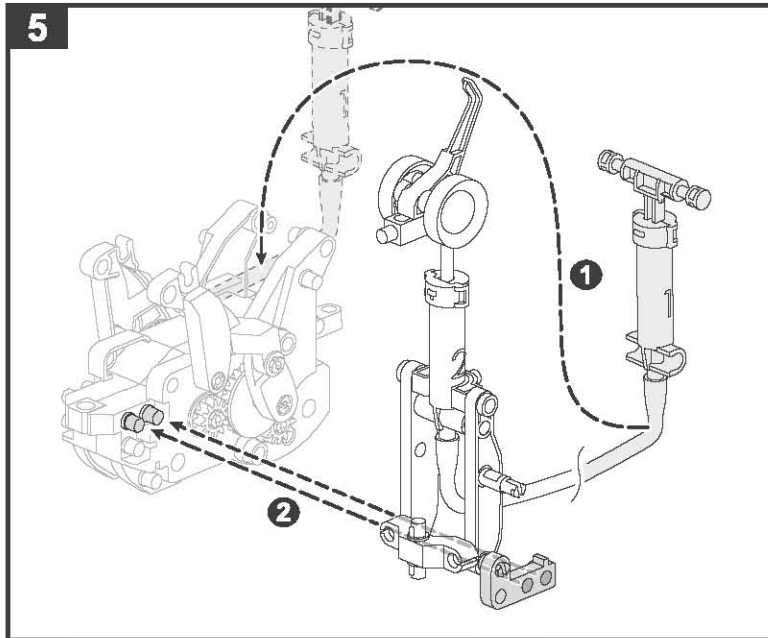




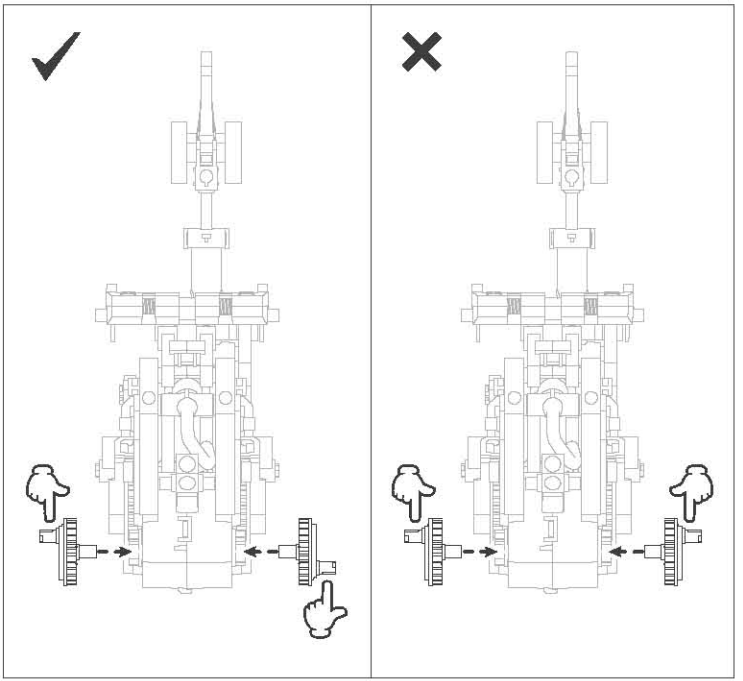
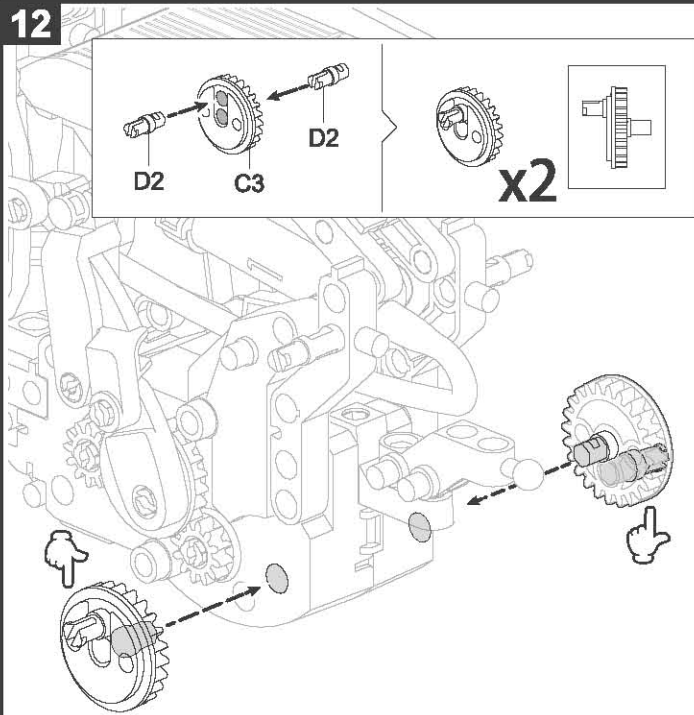
04. Ostrich Assembly

Before assembly check the air condition in the cylinder and add water if necessary

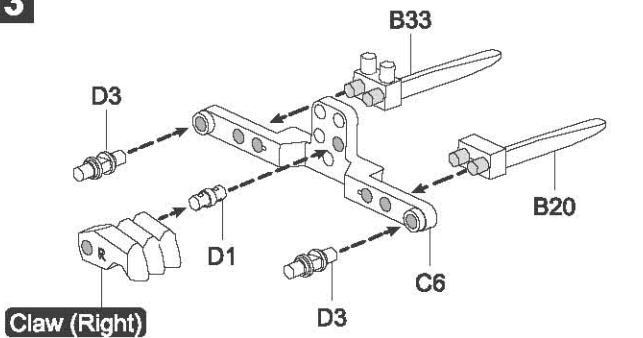




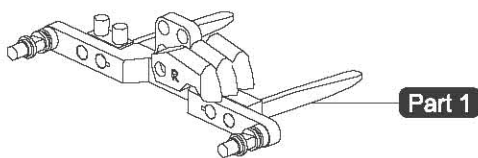
12



13

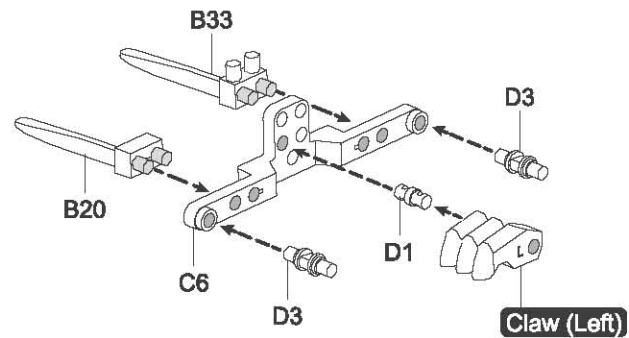


Claw (Right)

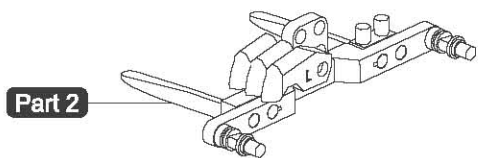


Part 1

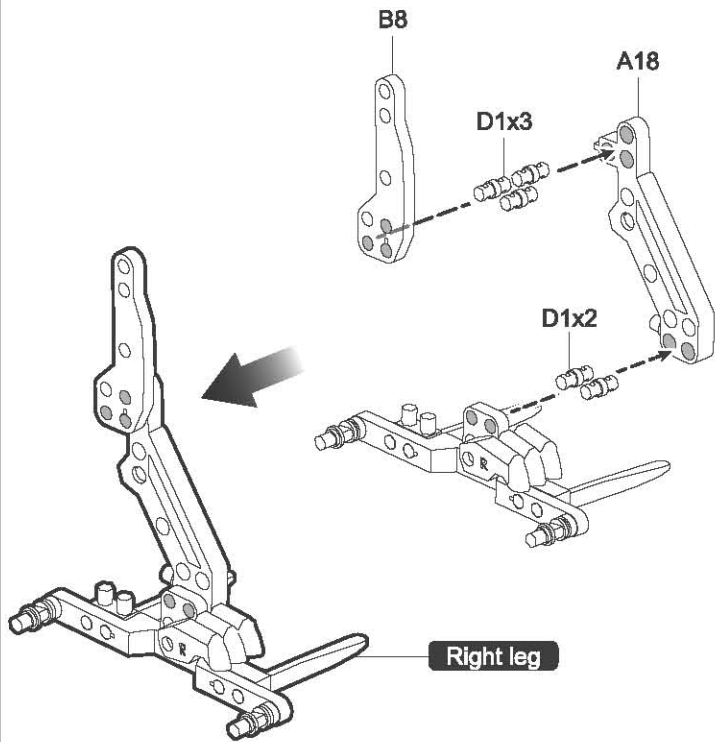
14



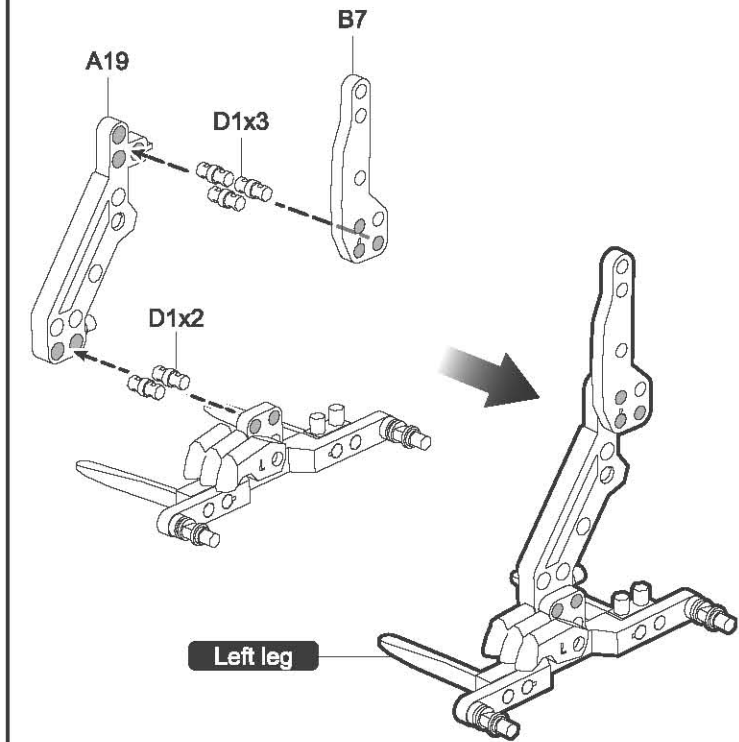
Claw (Left)



Part 2

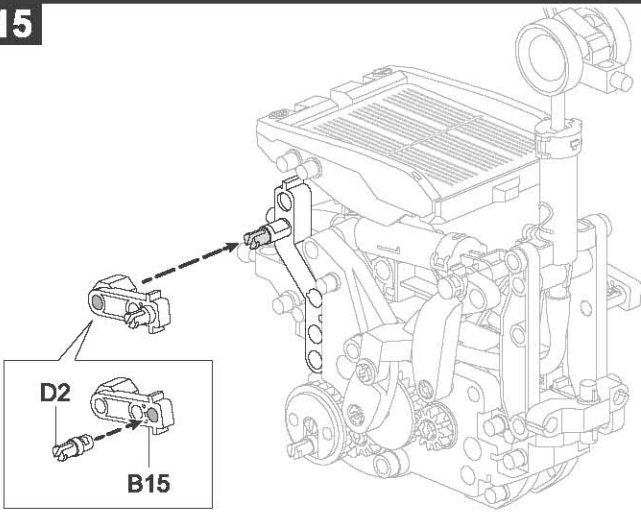


Right leg

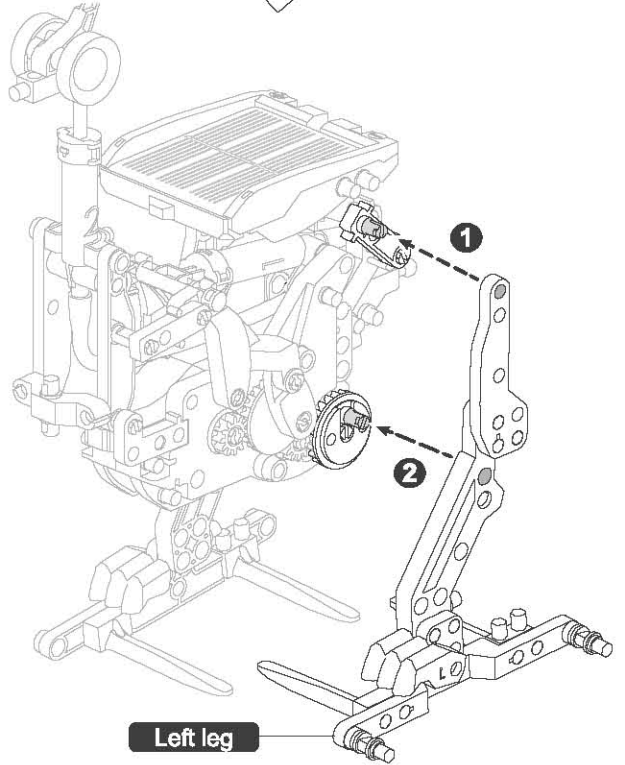
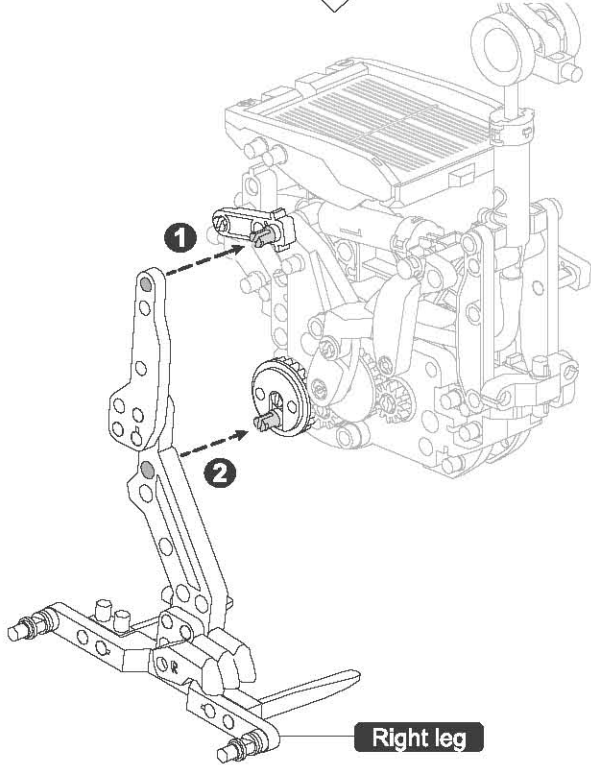
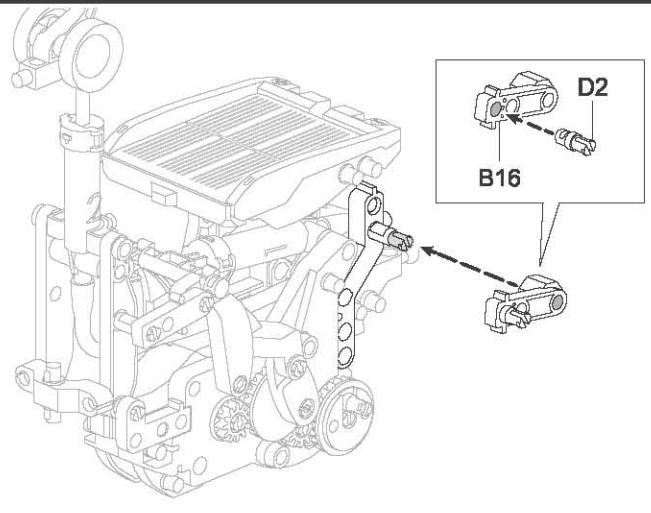


Left leg

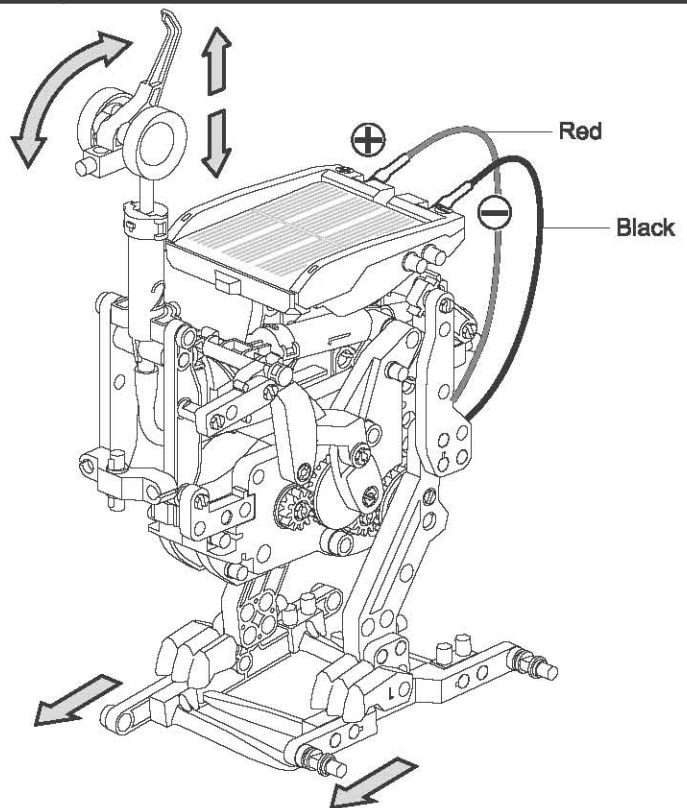
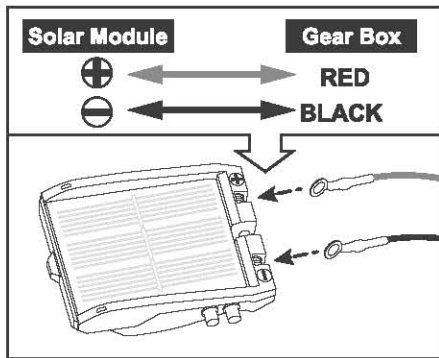
15



16



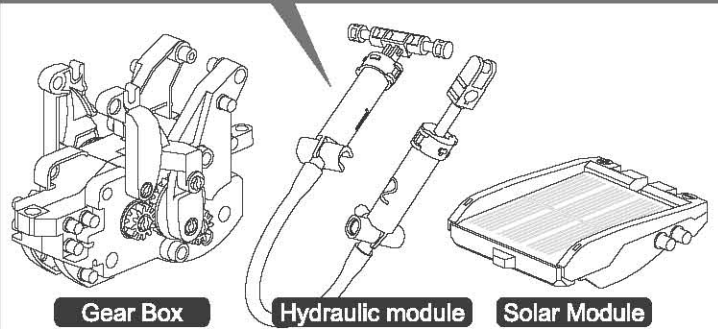
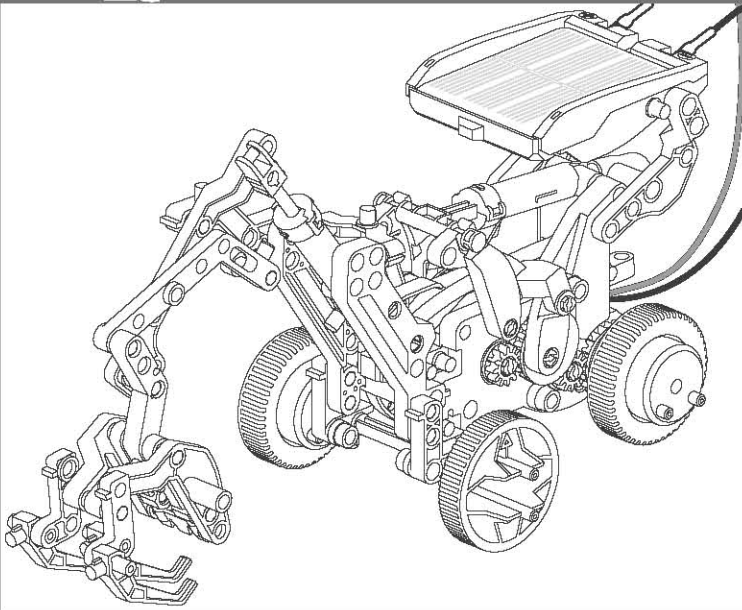
17



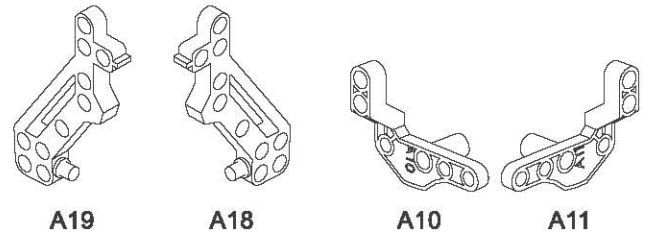
05. Excavator Assembly



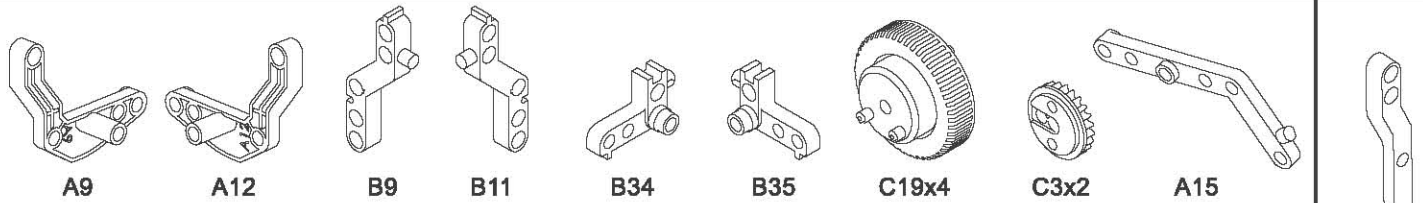
Before assembly check the air condition in the cylinder and add water if necessary



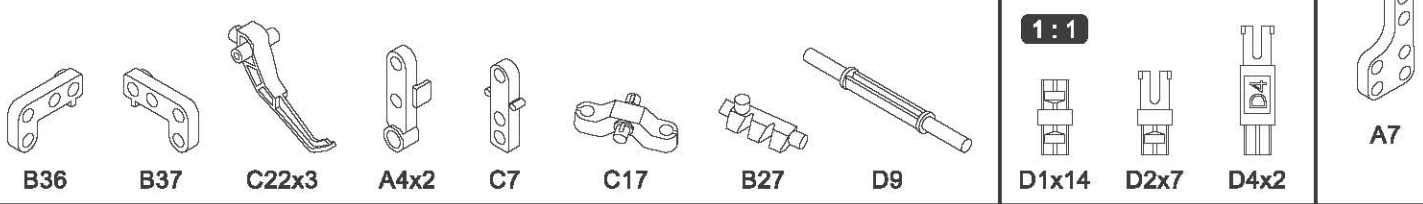
Gear Box **Hydraulic module** **Solar Module**



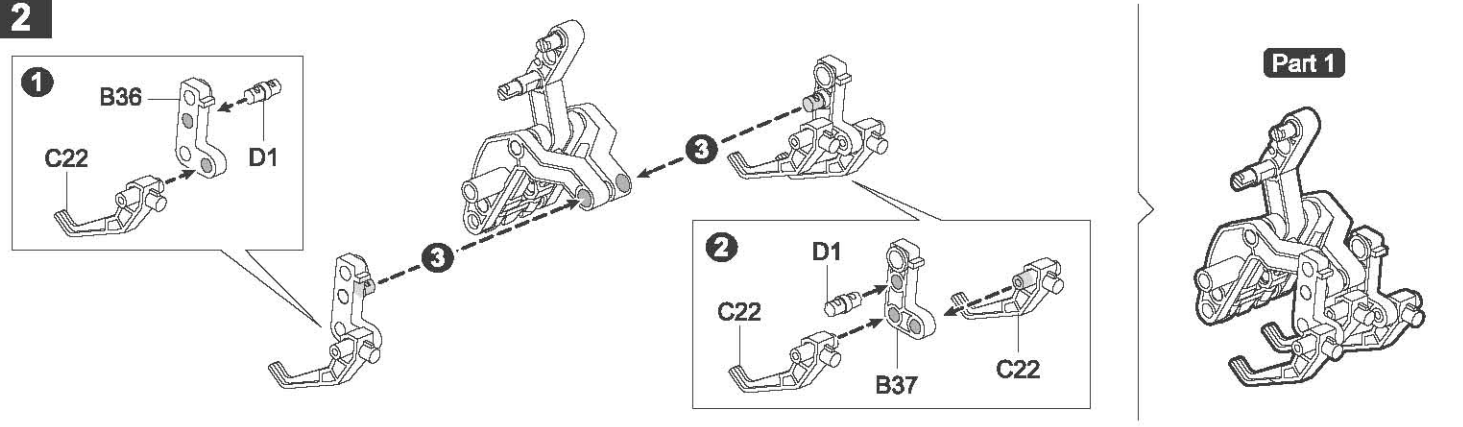
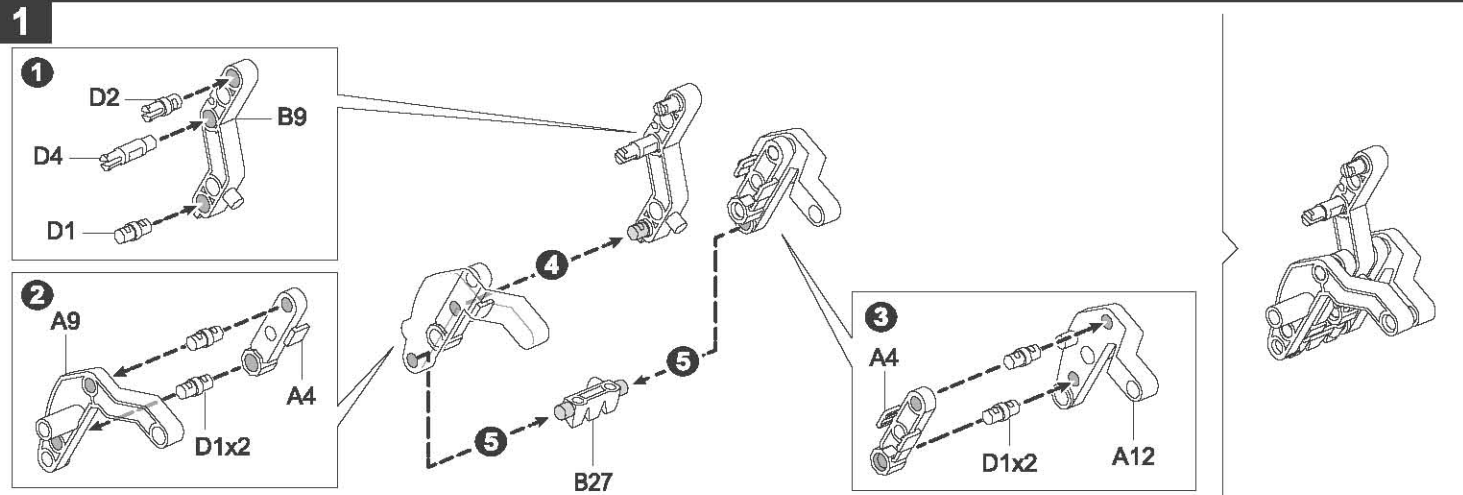
A19 **A18** **A10** **A11**



A9 **A12** **B9** **B11** **B34** **B35** **C19x4** **C3x2** **A15**

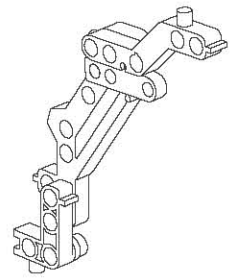
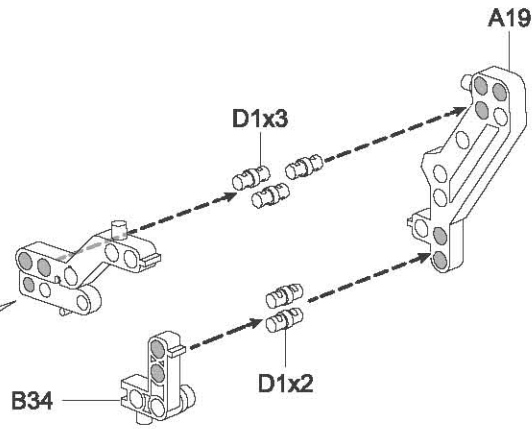
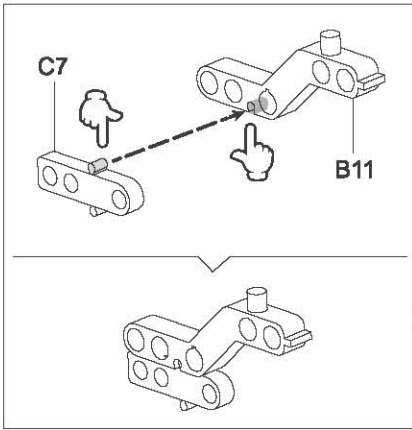


B36 **B37** **C22x3** **A4x2** **C7** **C17** **B27** **D9** **D1x14** **D2x7** **D4x2** **A7**

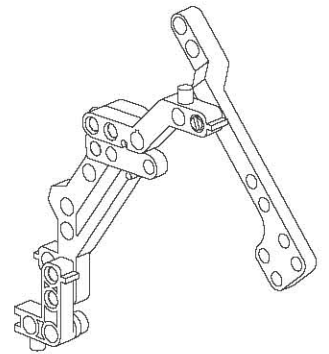
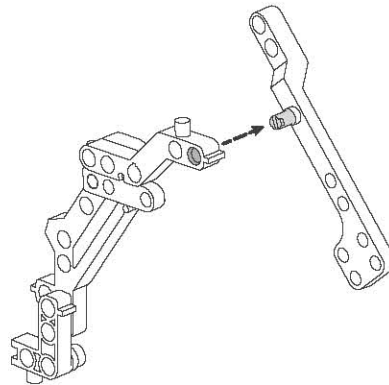
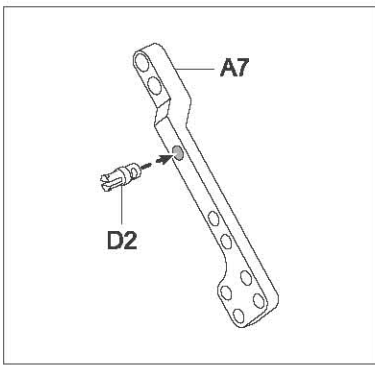


Part 1

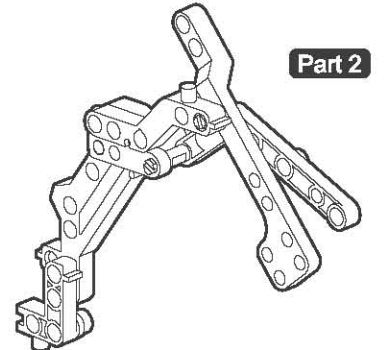
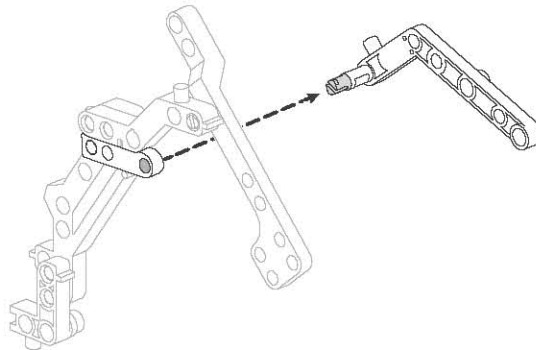
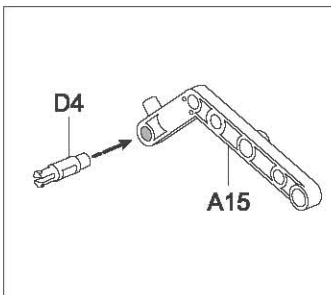
3



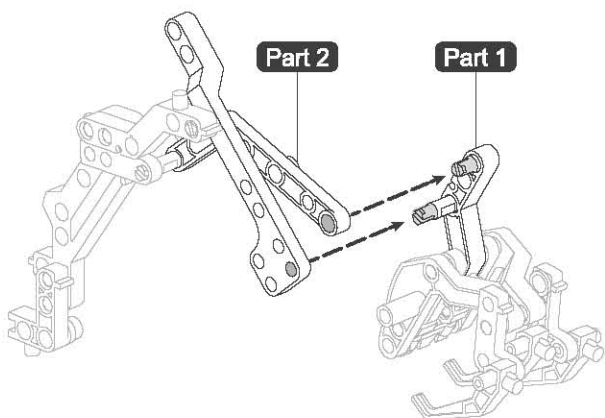
4



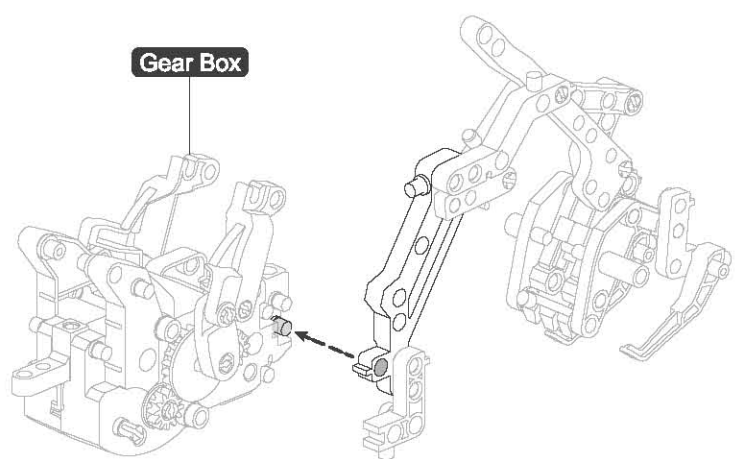
5



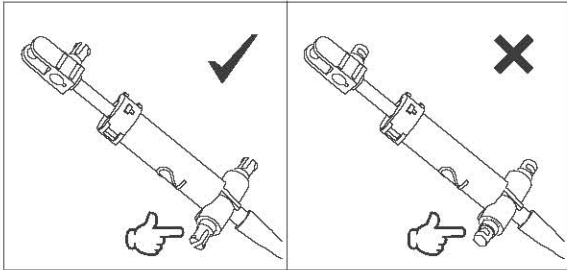
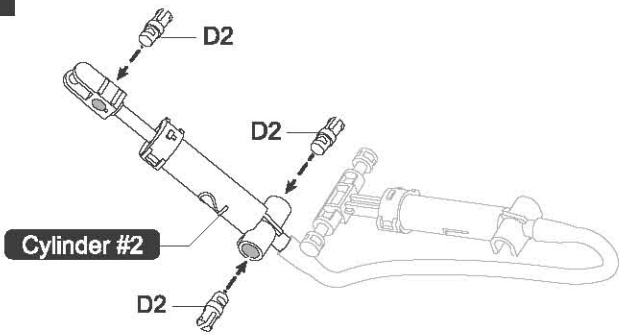
6



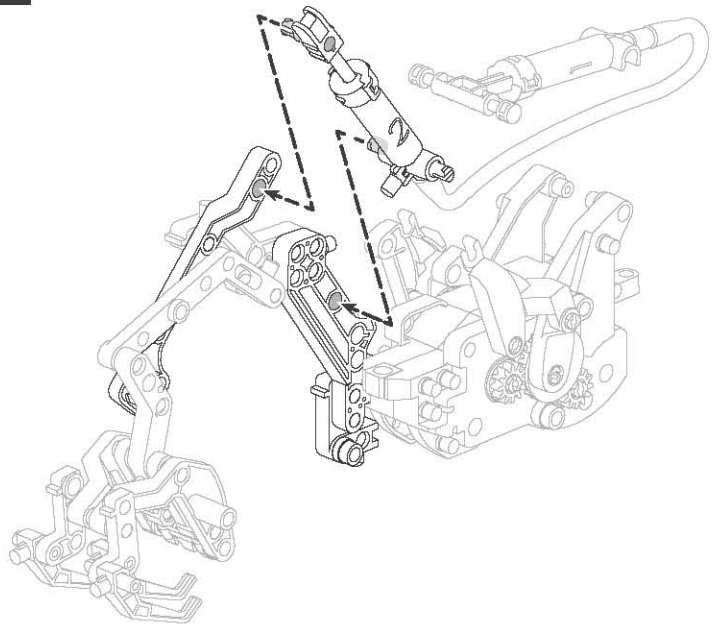
7



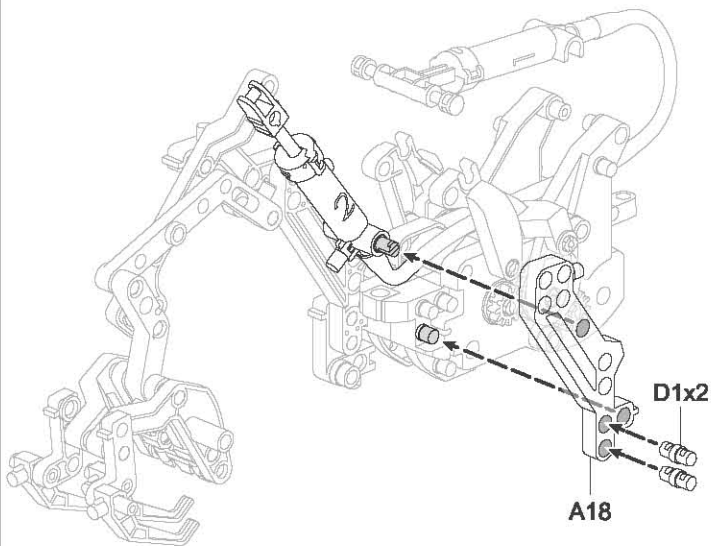
8



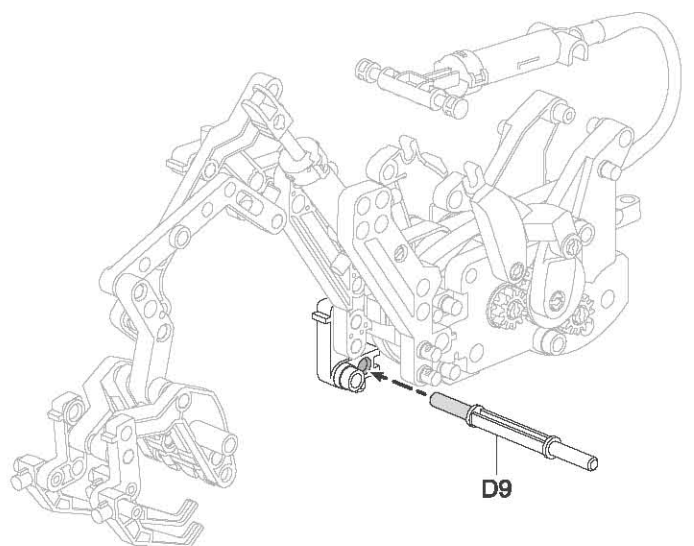
9



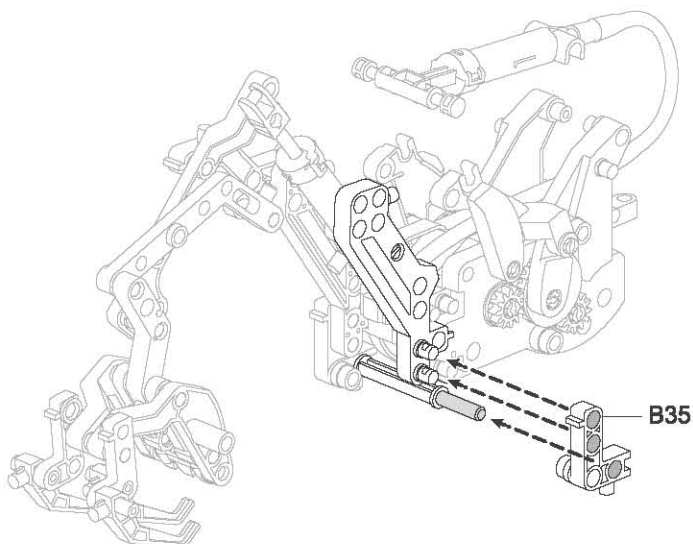
10



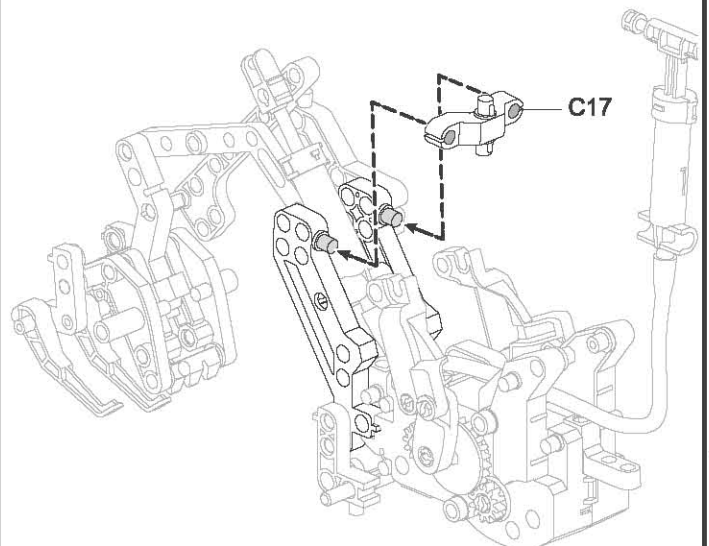
11



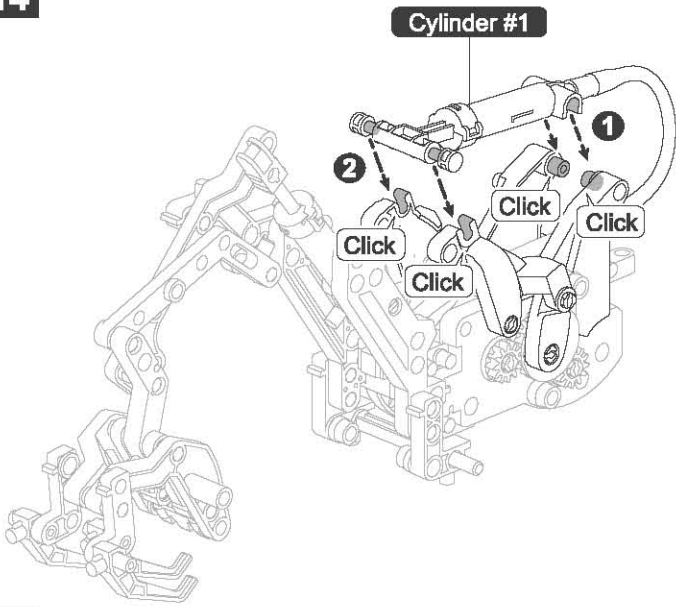
12



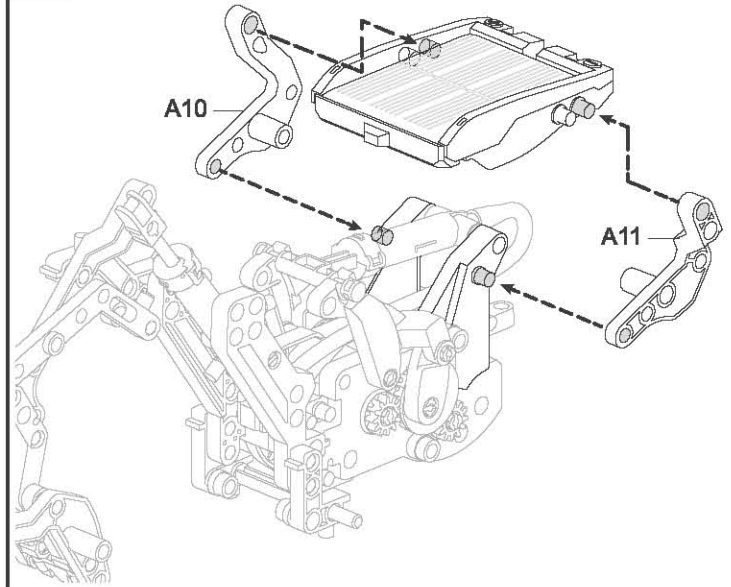
13



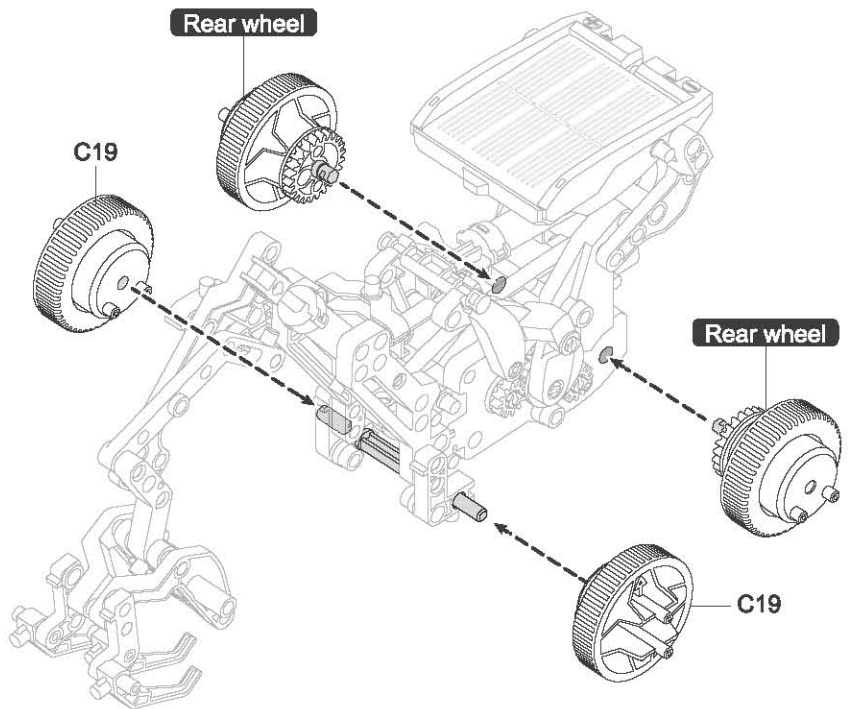
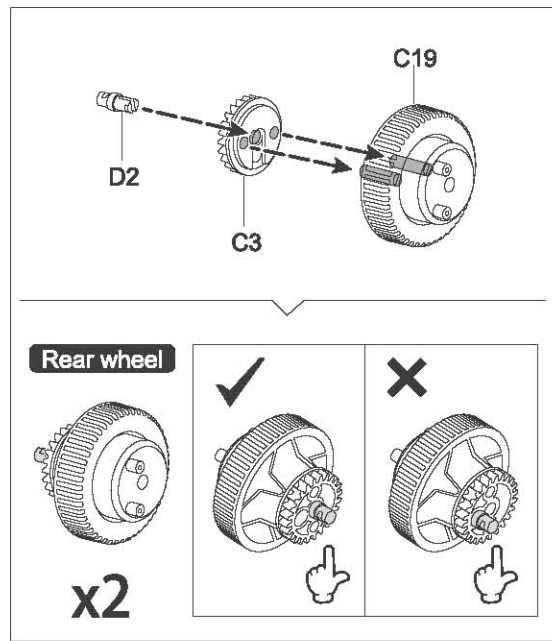
14



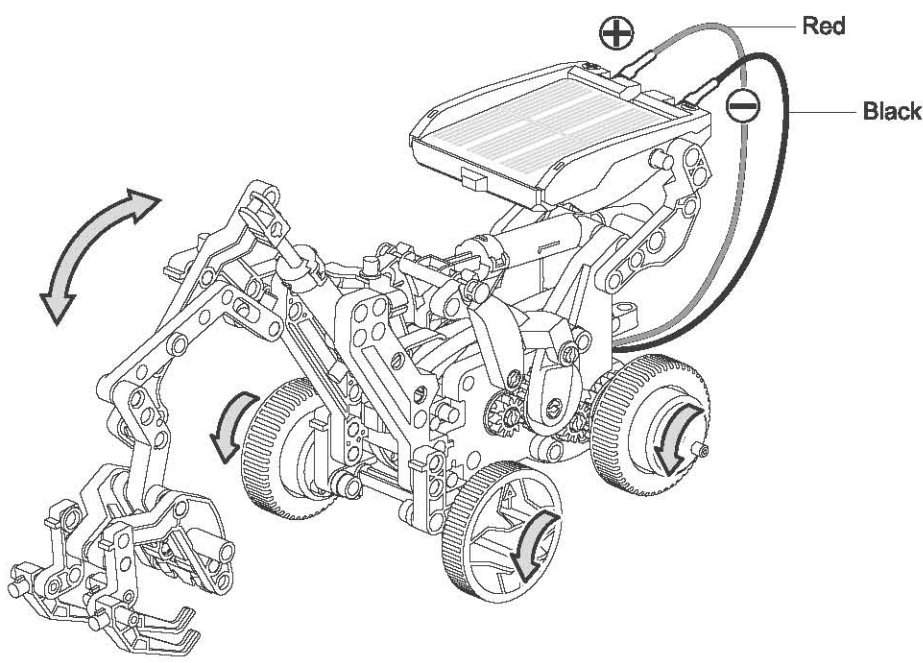
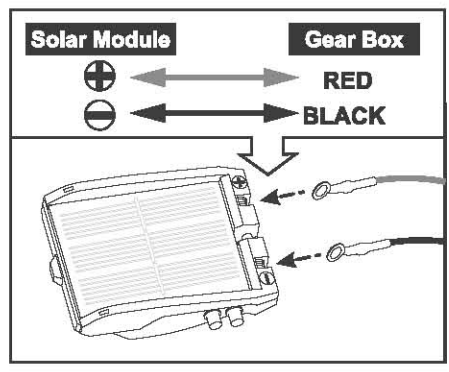
15



16



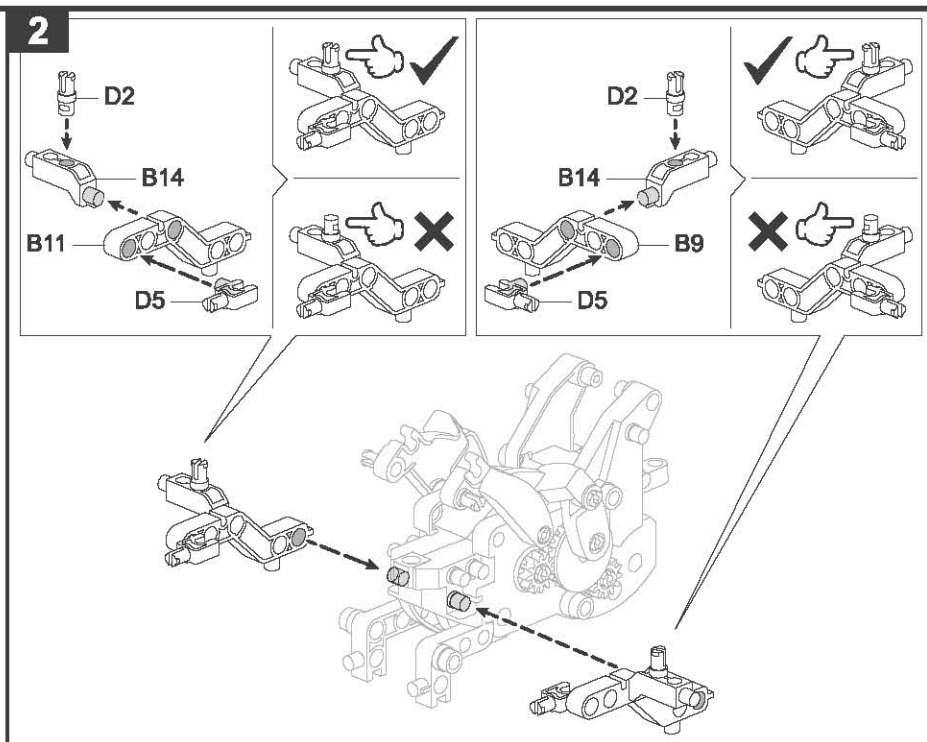
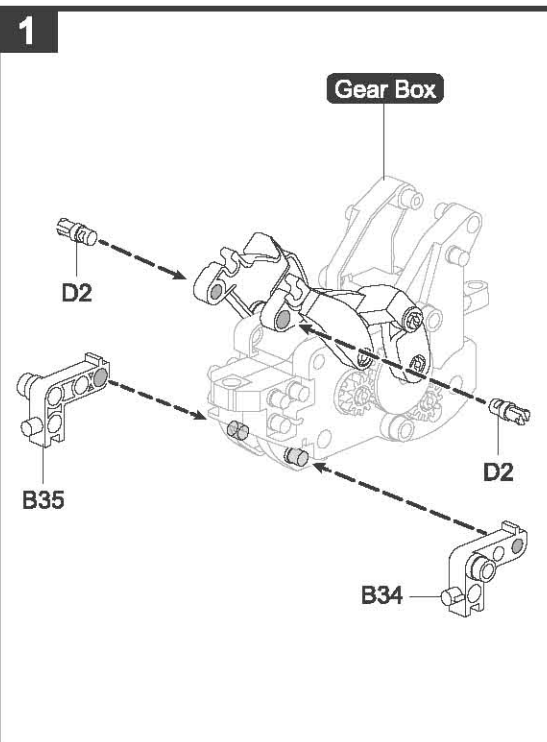
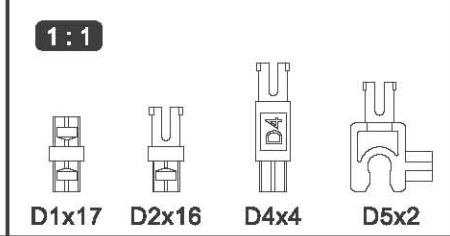
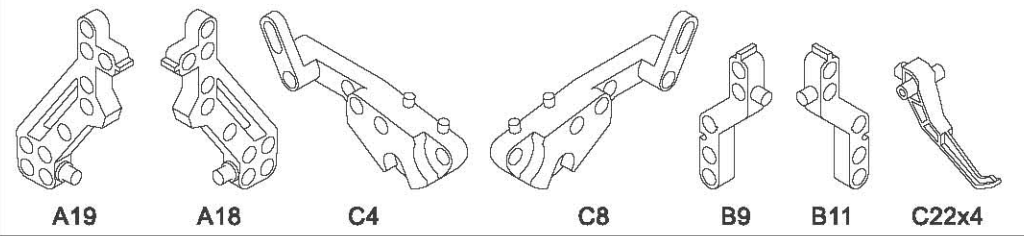
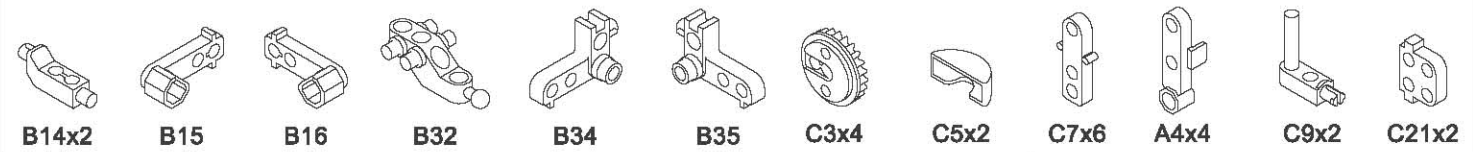
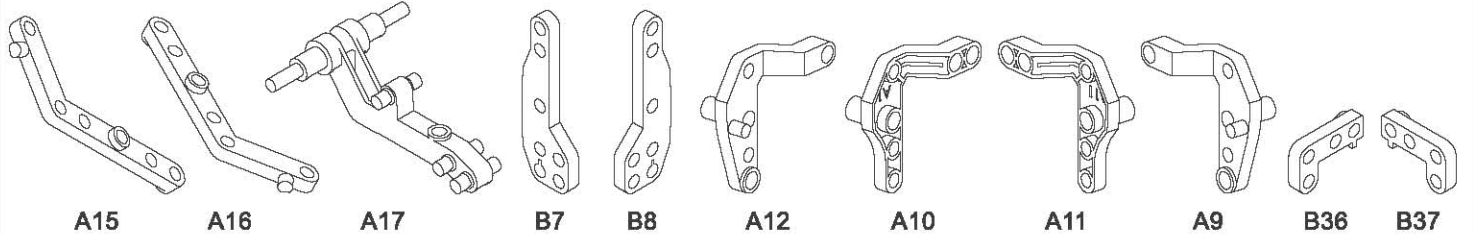
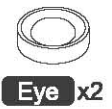
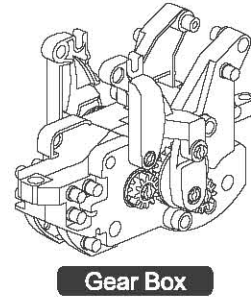
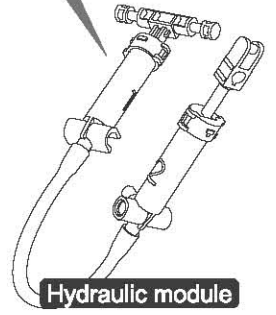
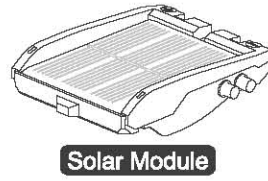
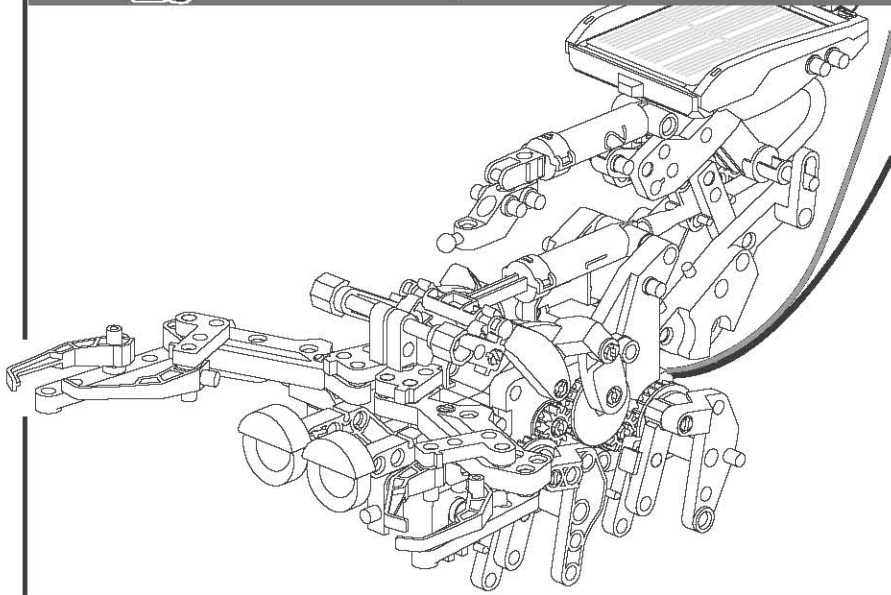
17



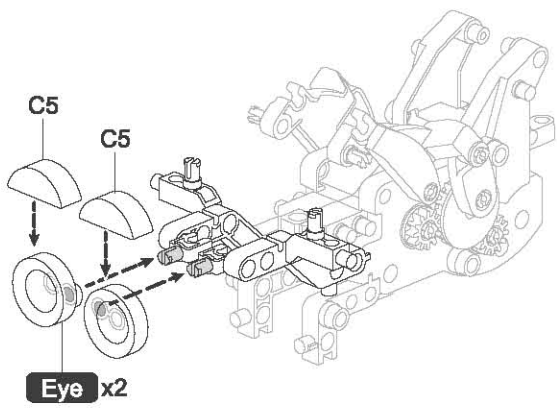
06. Scorpion Assembly



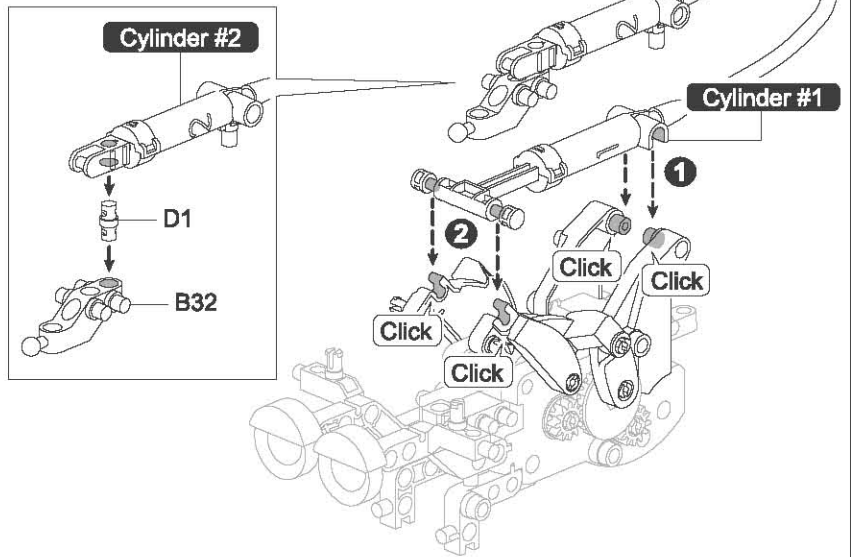
Before assembly check the air condition in the cylinder and add water if necessary



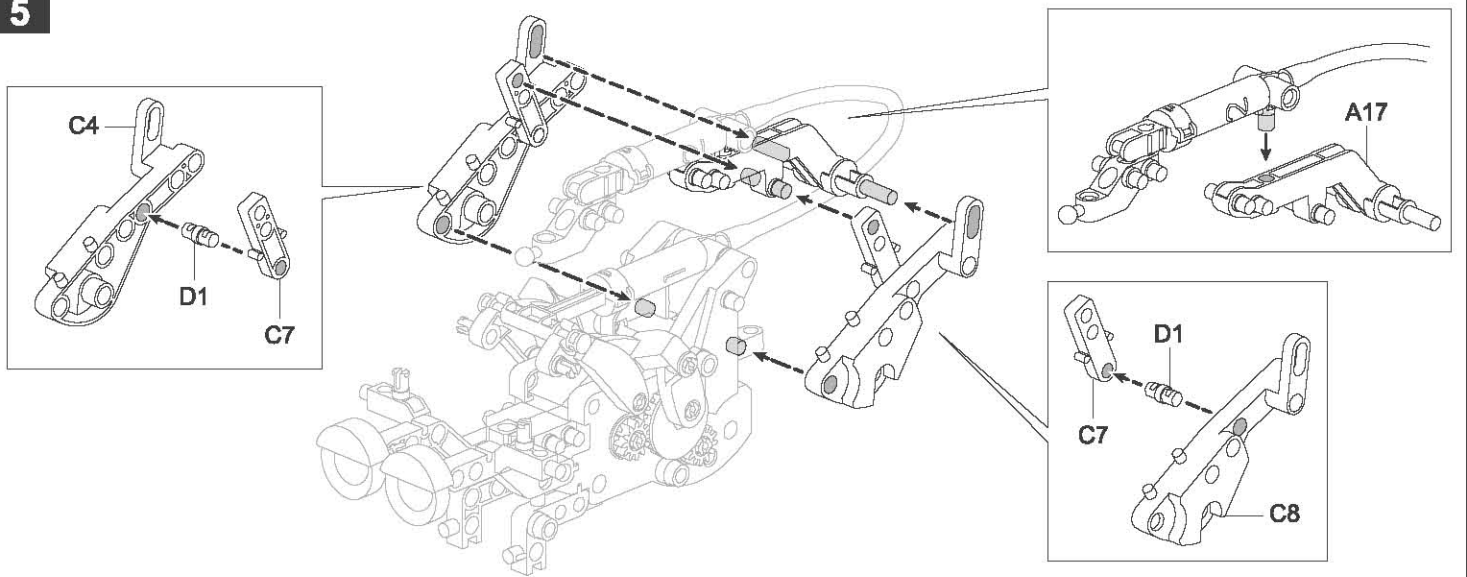
3



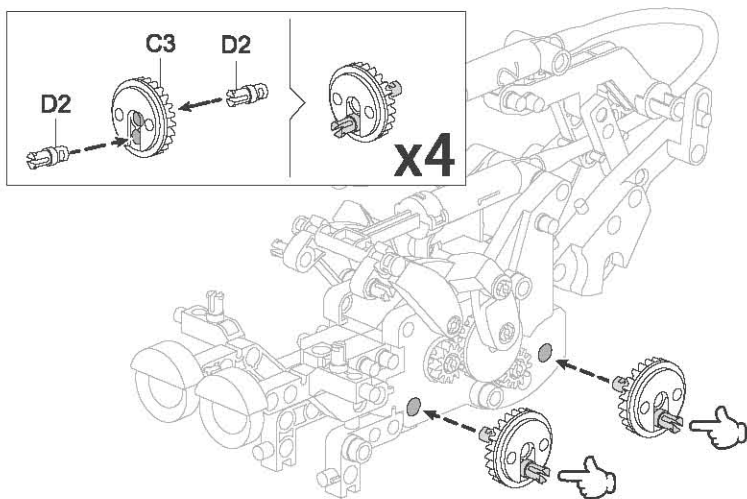
4



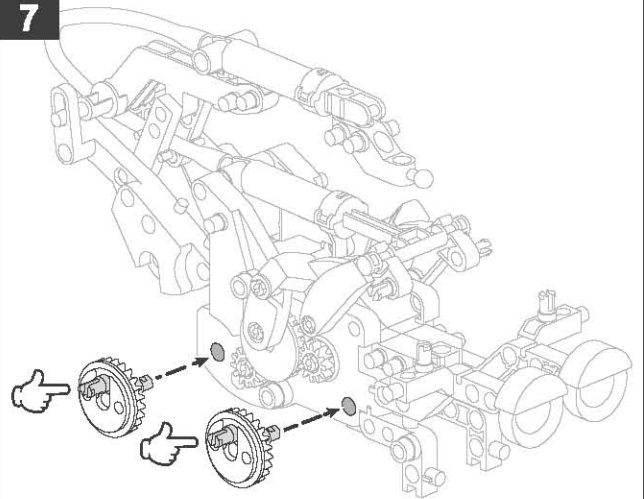
5



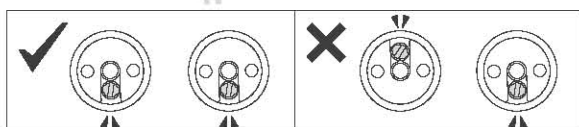
6



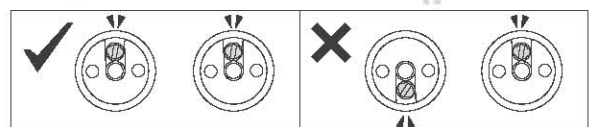
7



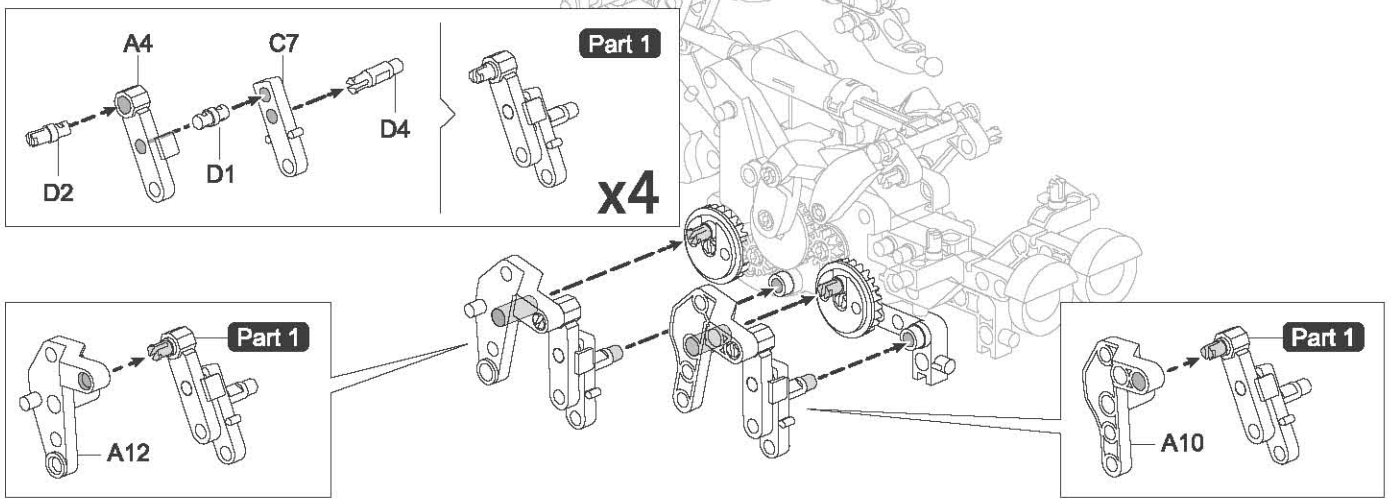
► Left Side



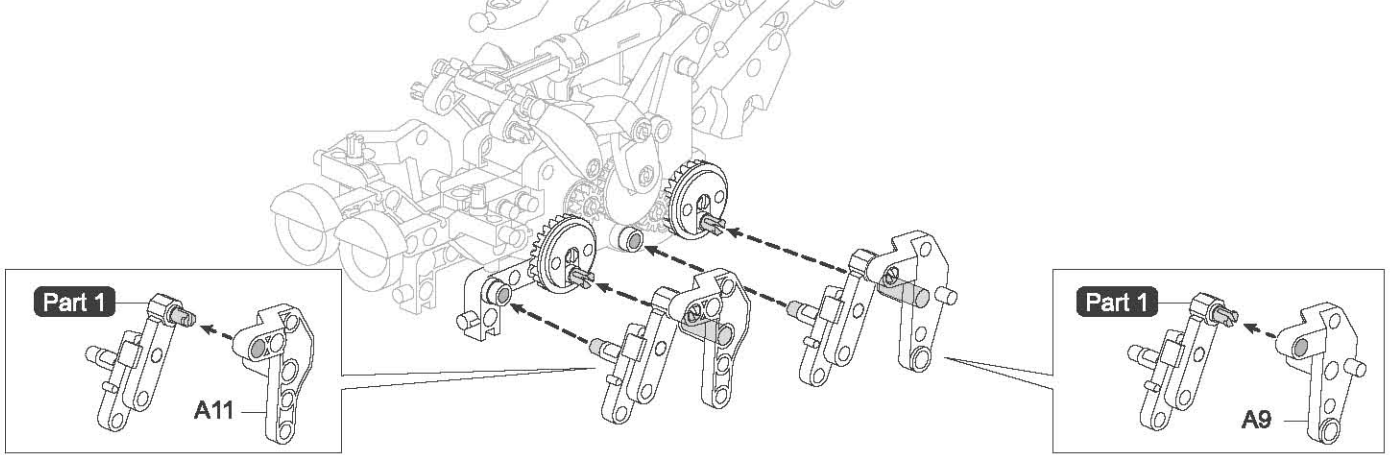
► Right Side



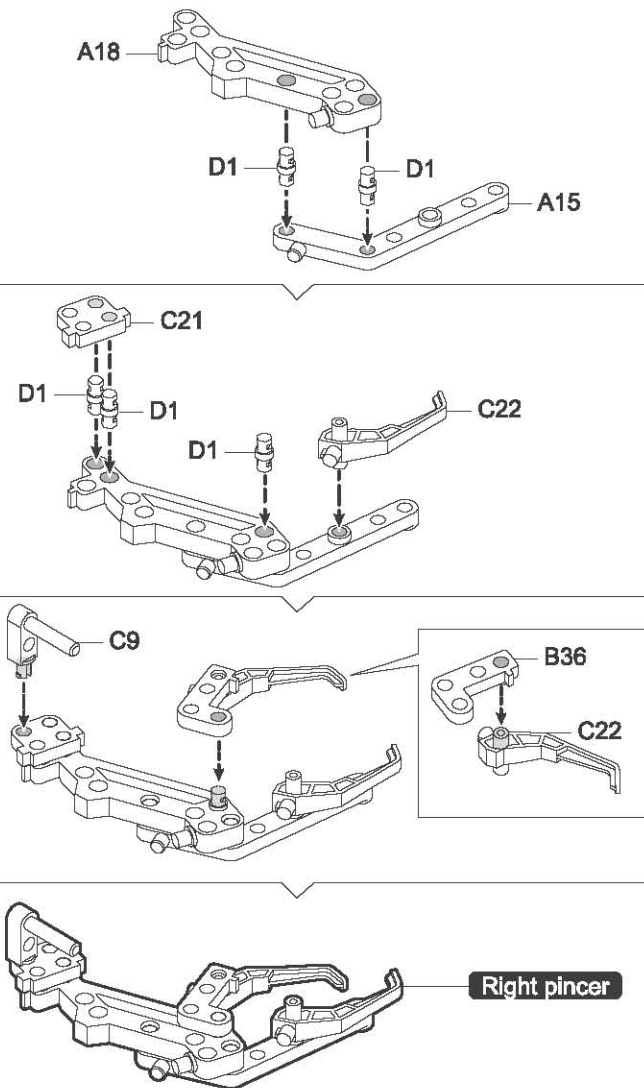
8



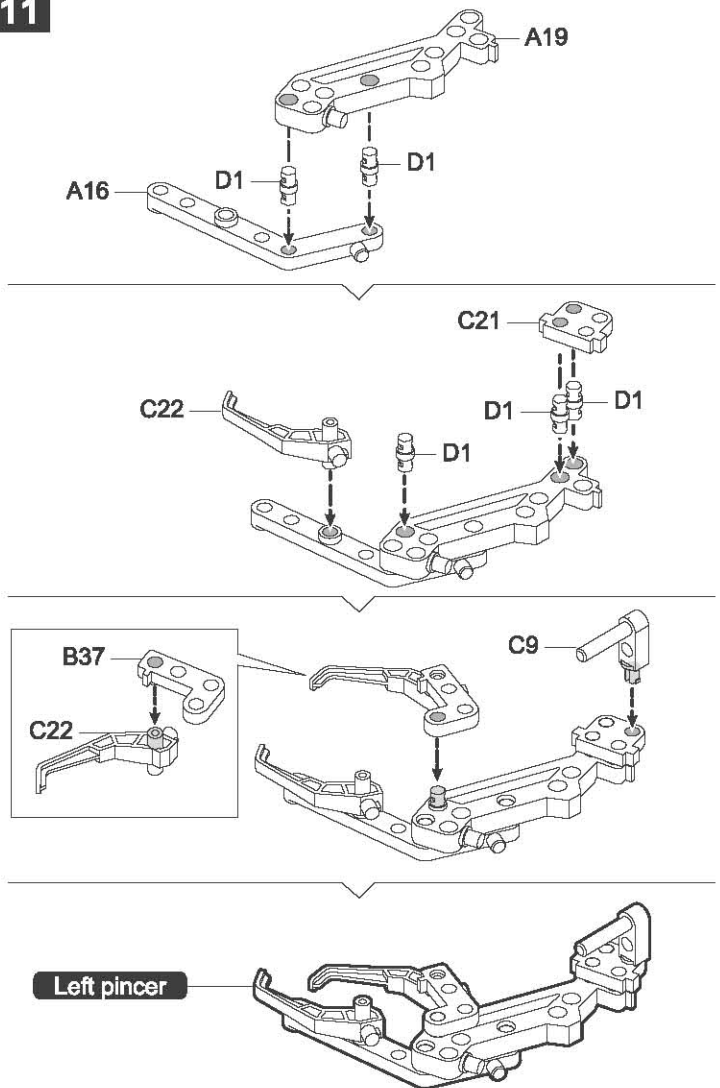
9



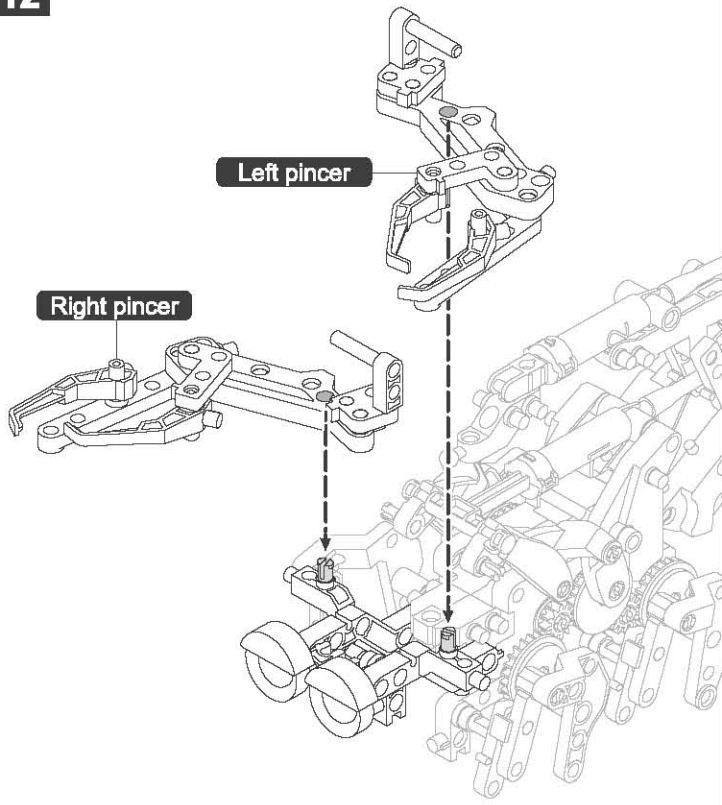
10



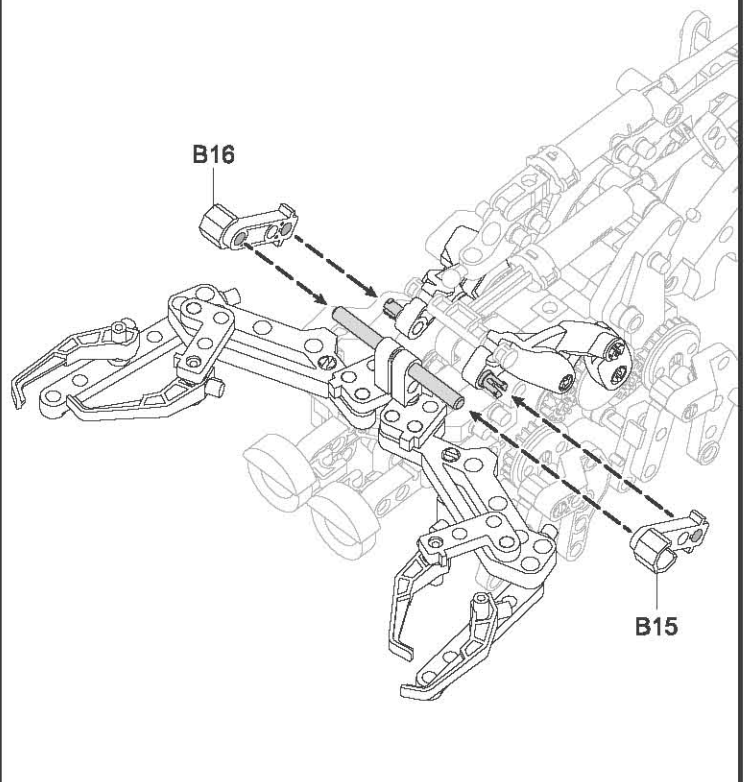
11



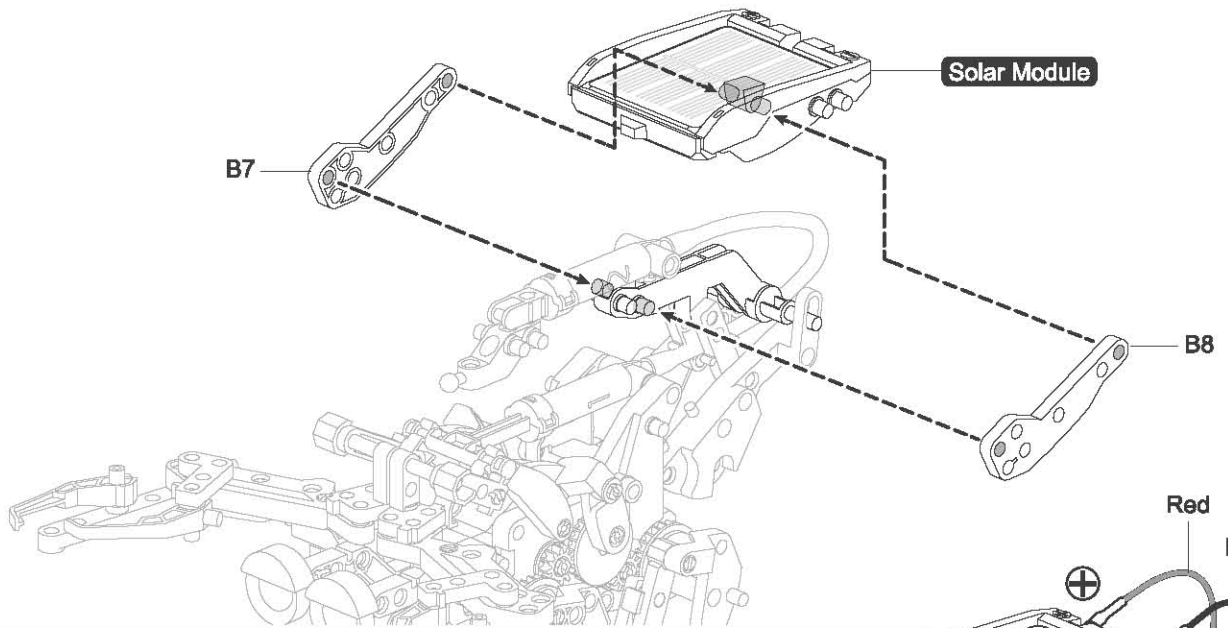
12



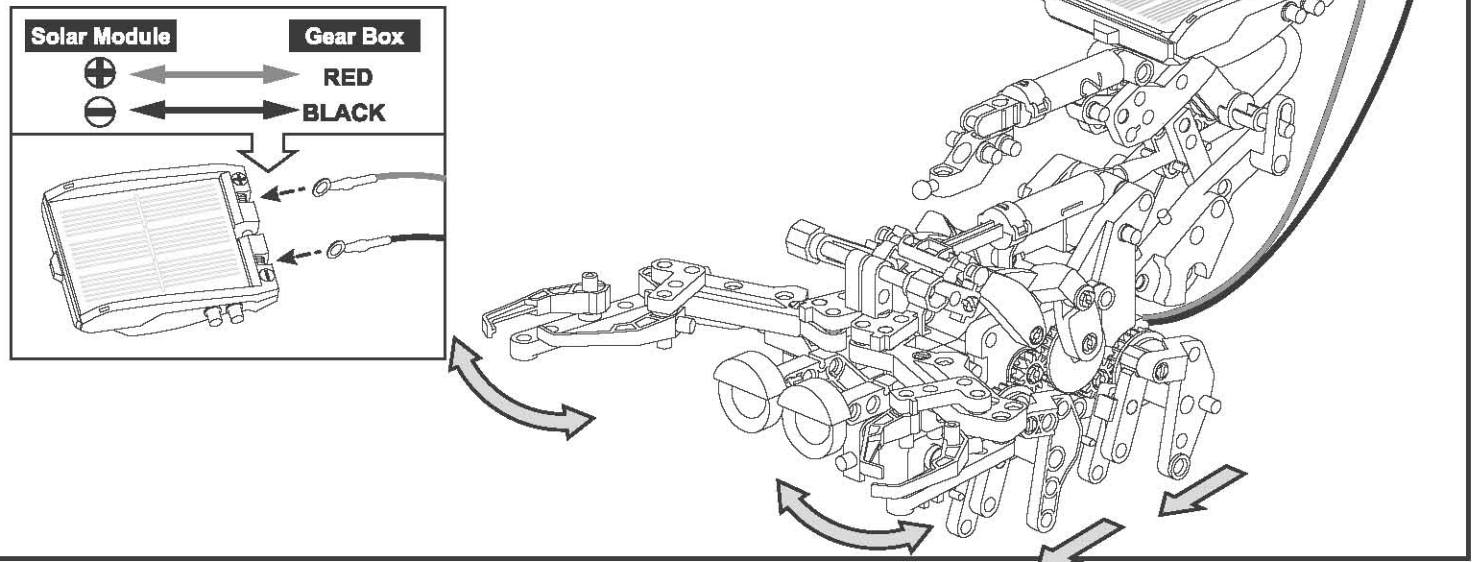
13



14

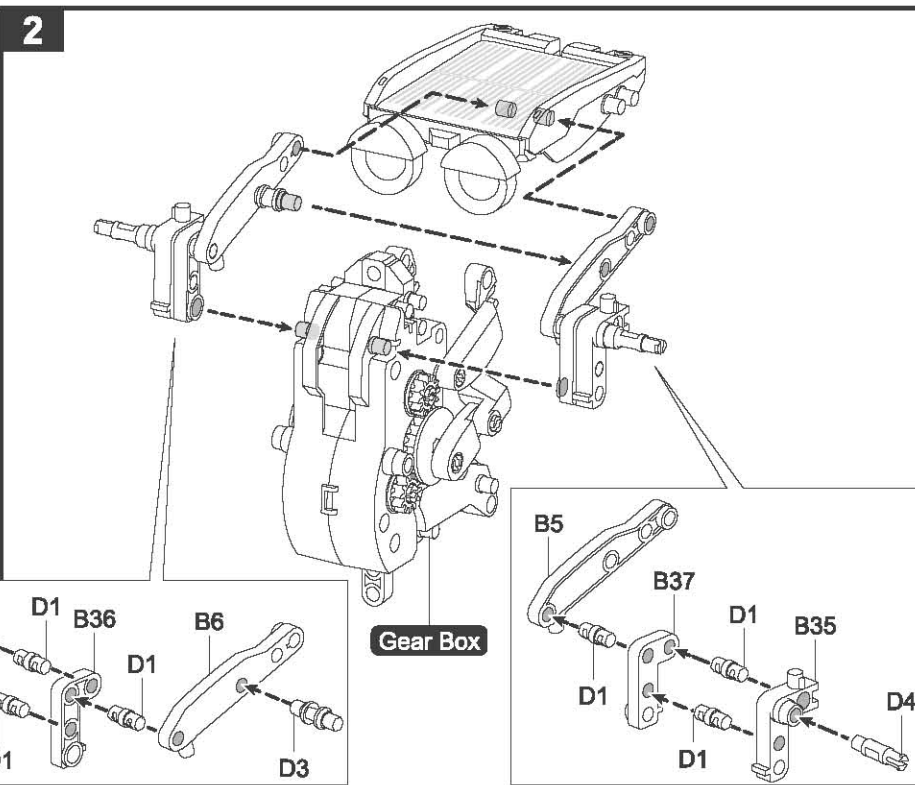
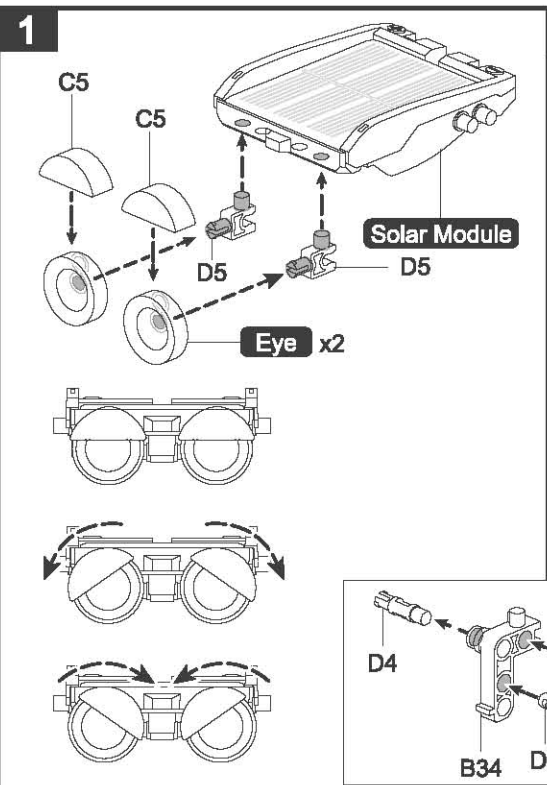
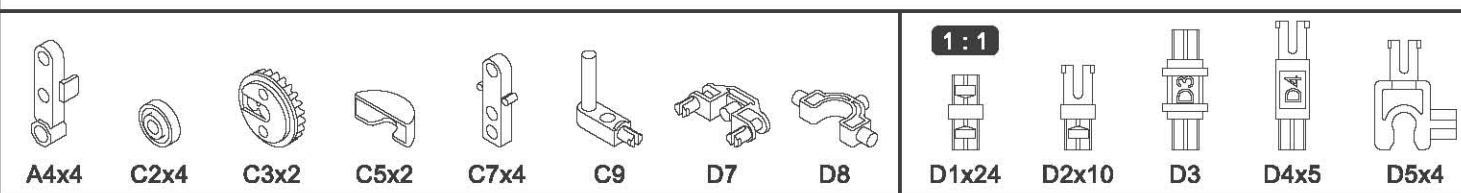
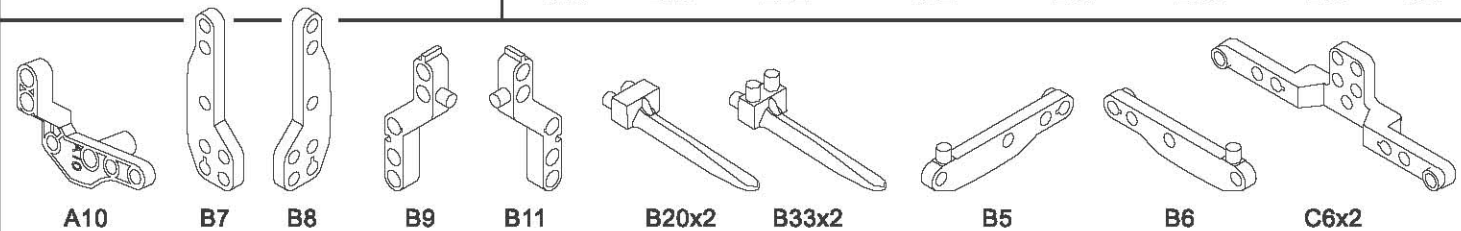
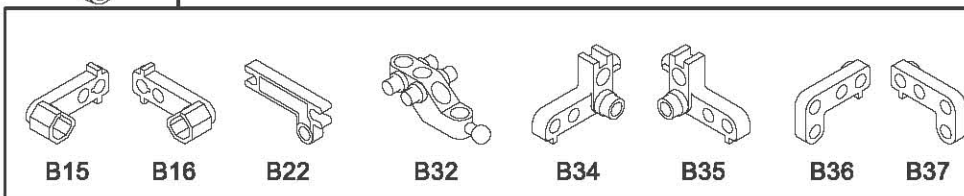
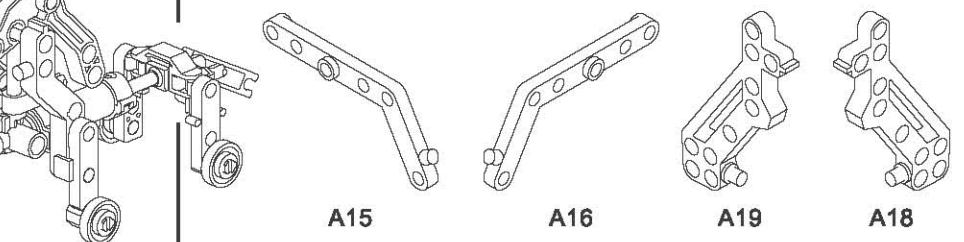
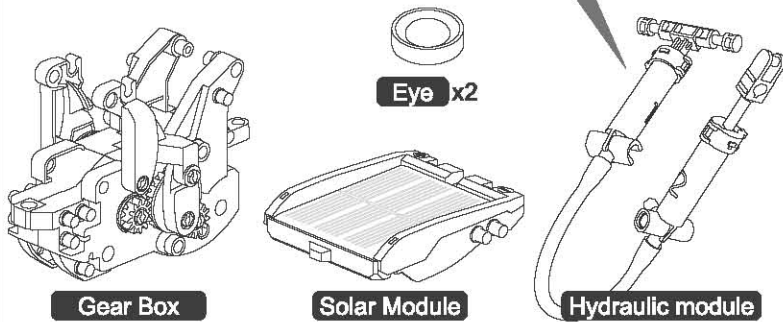
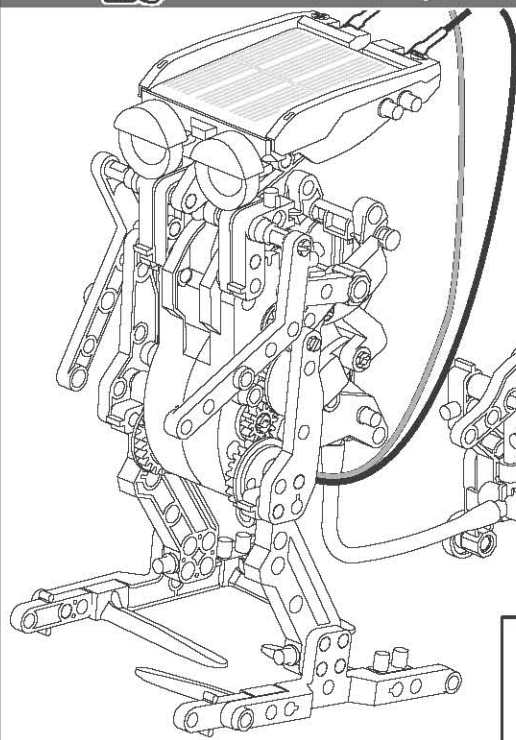


15

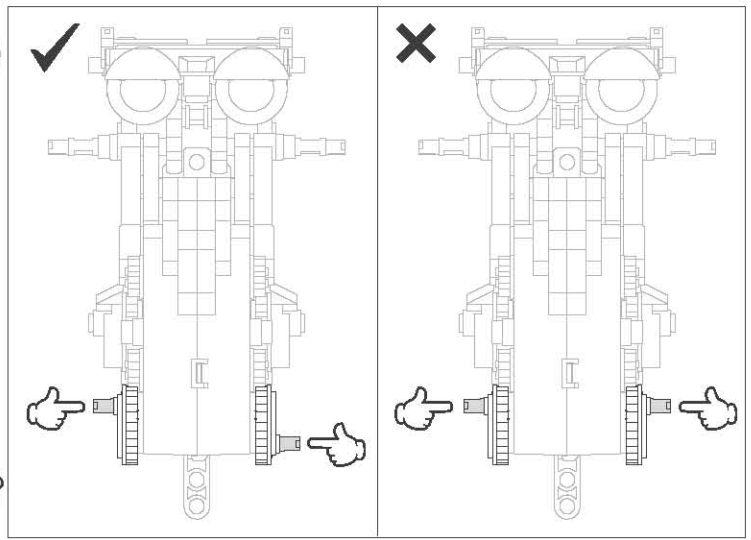
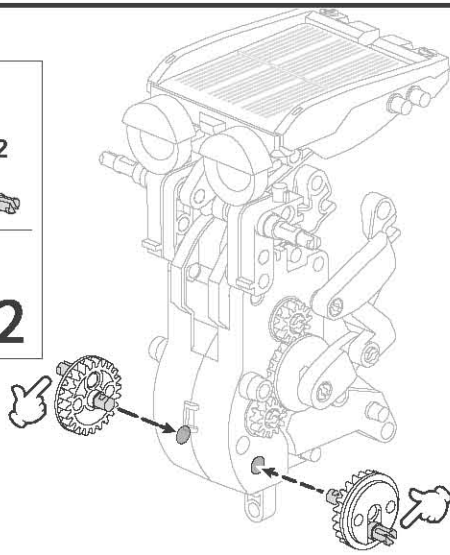
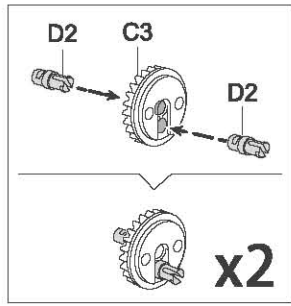


07. Master & dog Assembly

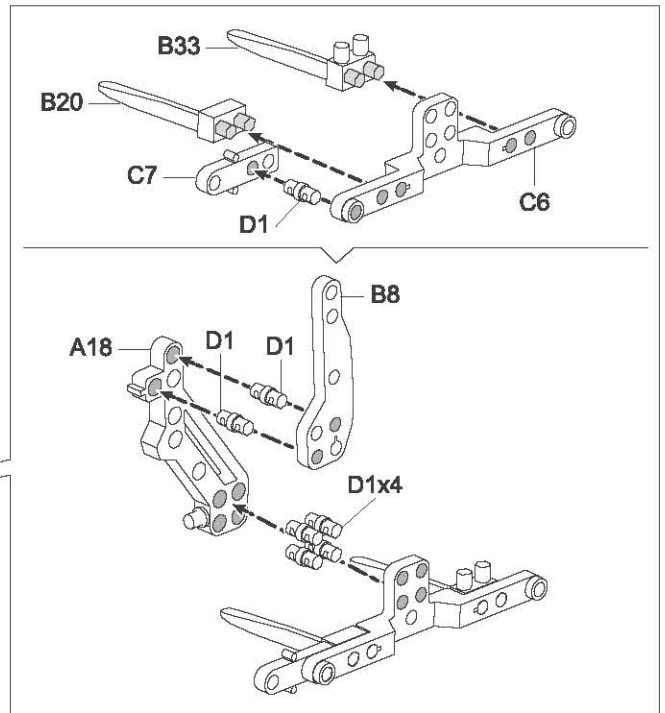
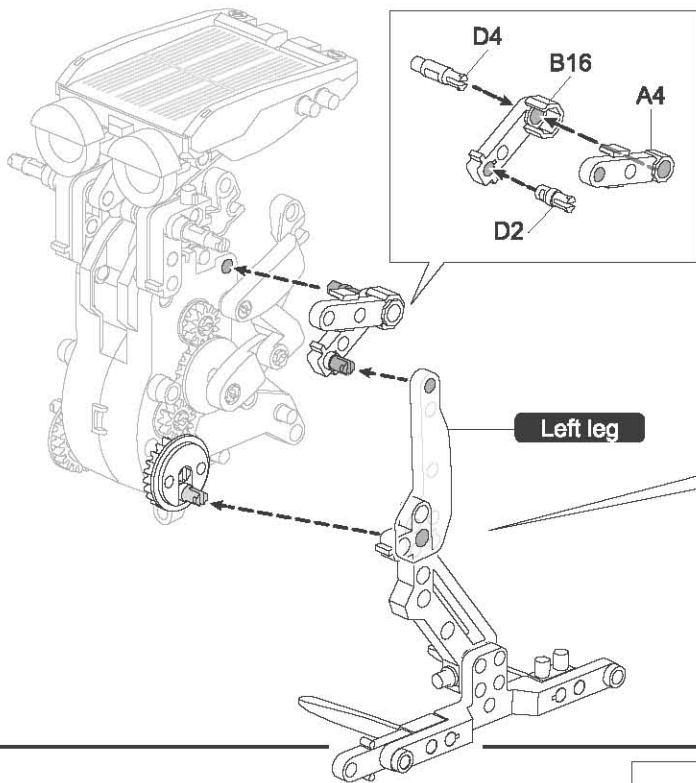
Before assembly check the air condition in the cylinder and add water if necessary



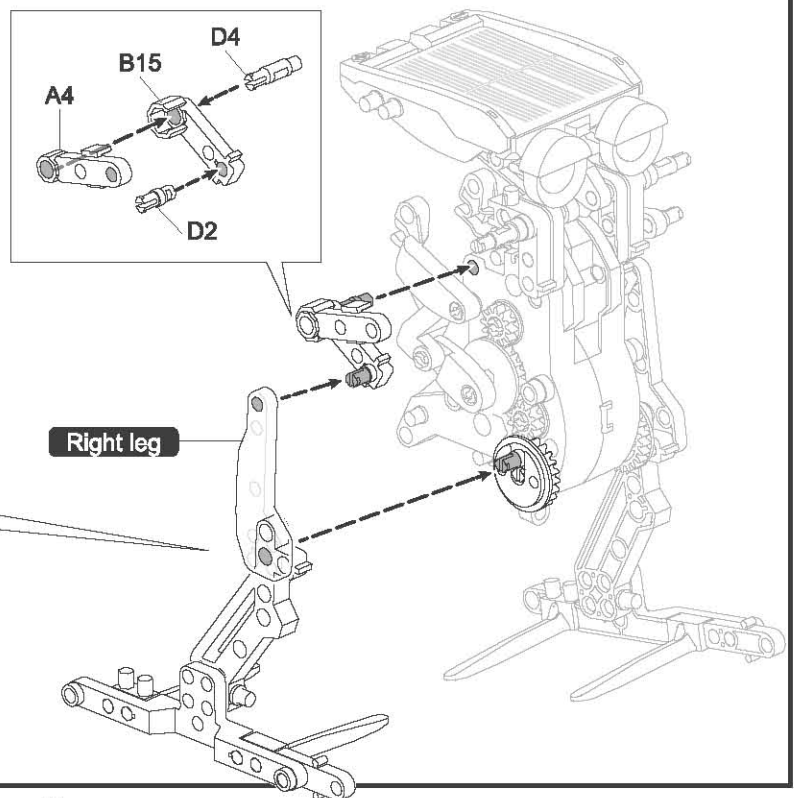
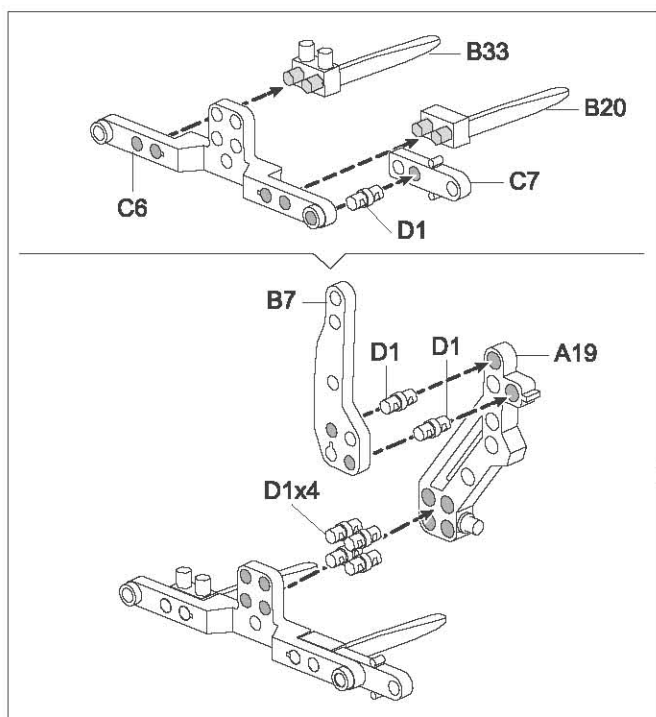
3

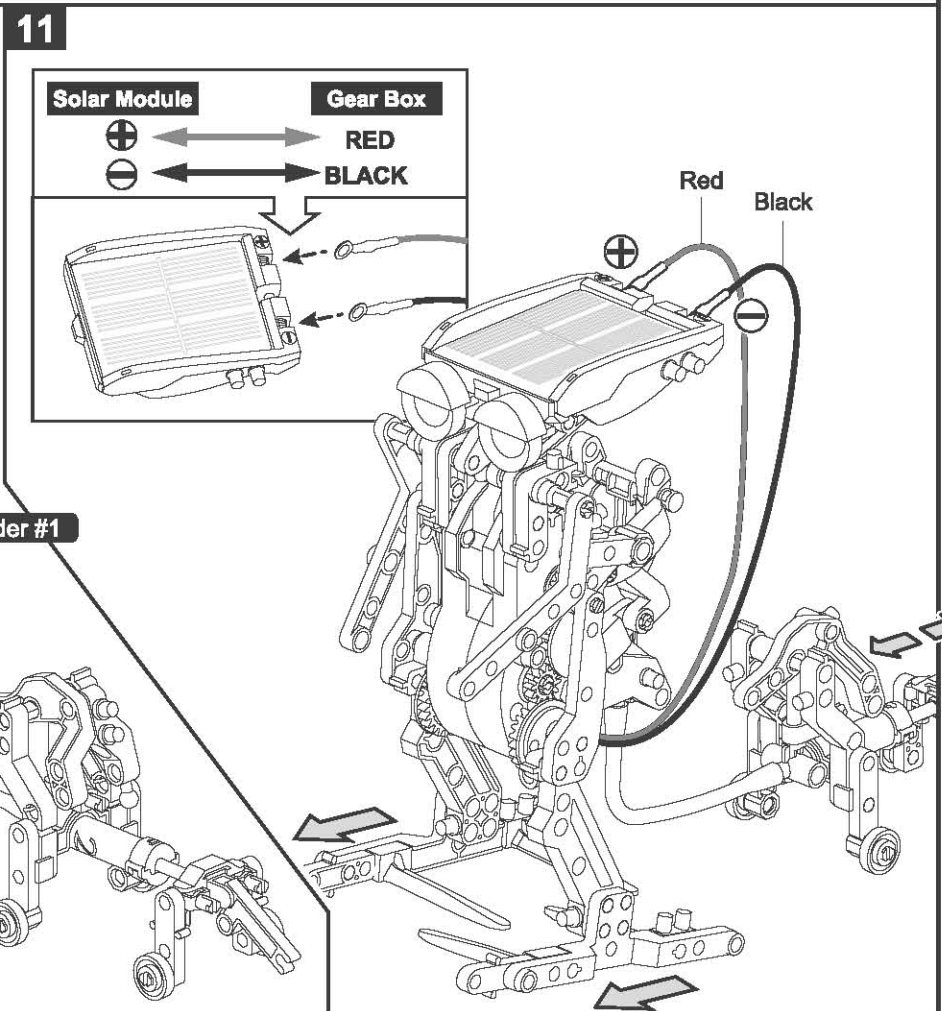
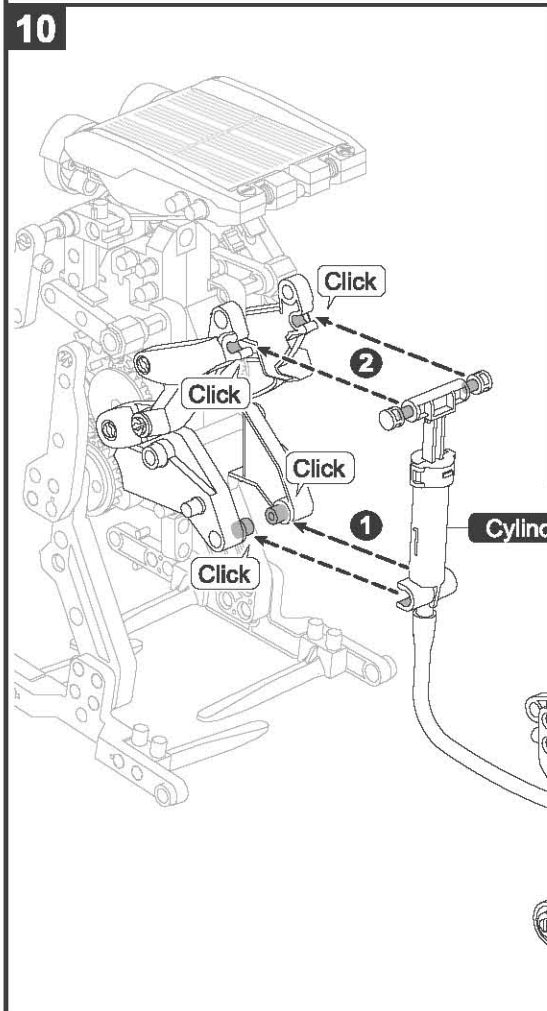
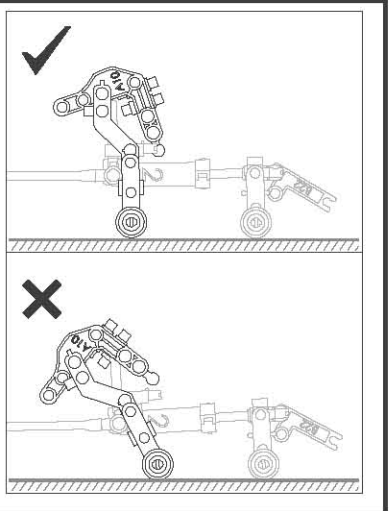
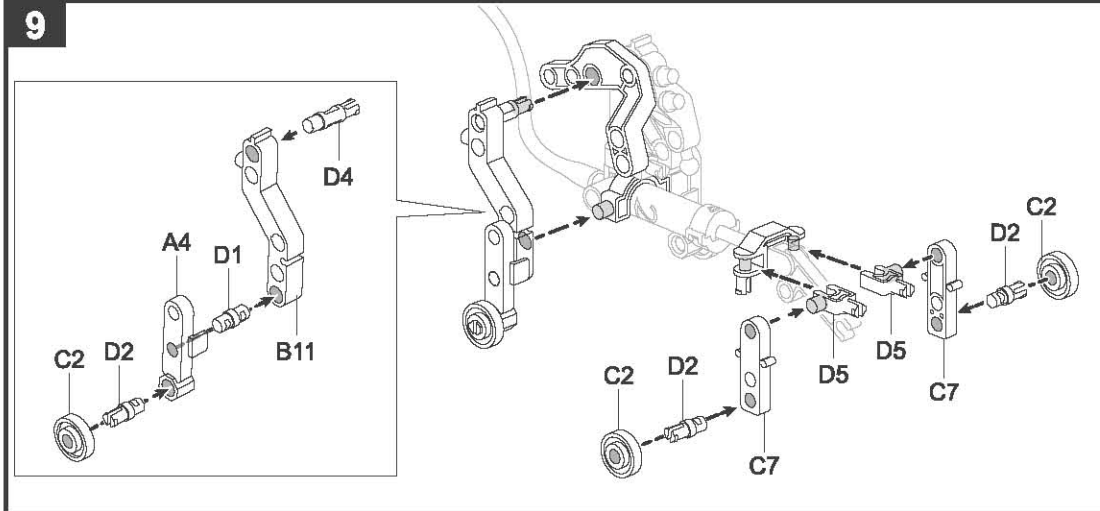
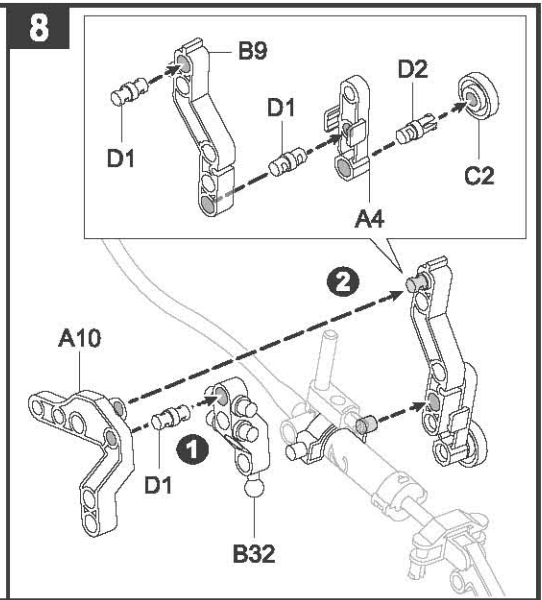
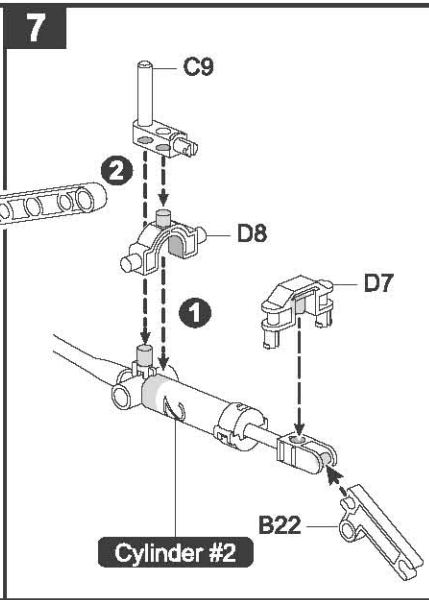
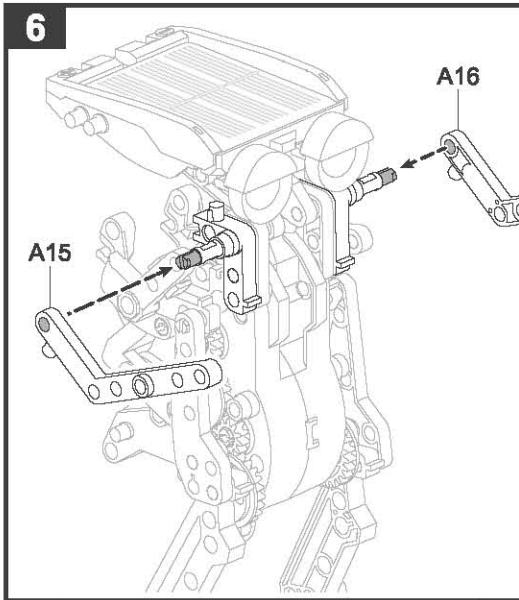


4



5

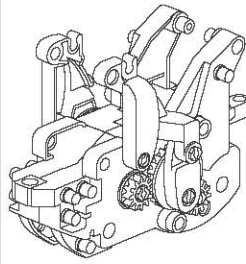
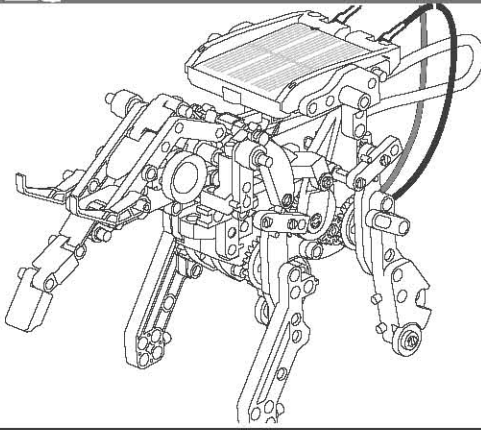




08. Elephant Assembly



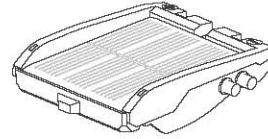
Before assembly check the air condition in the cylinder and add water if necessary



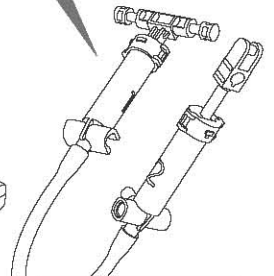
Gear Box



Eye x2



Solar Module



Hydraulic module

1:1



D1x14



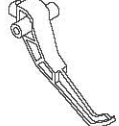
D2x14



D3x2



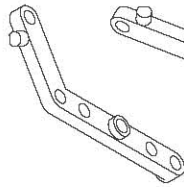
D4x4



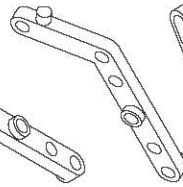
C22x2



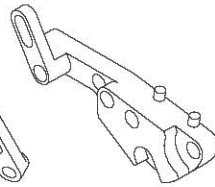
C3x4



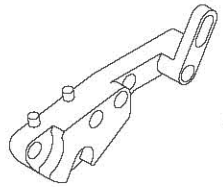
A15



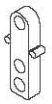
A16



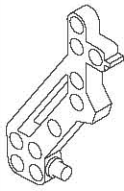
C4



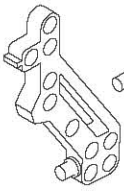
C8



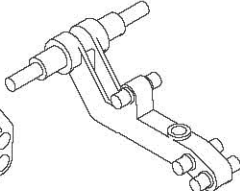
C7x4



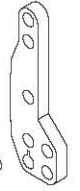
A19



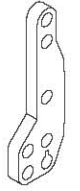
A18



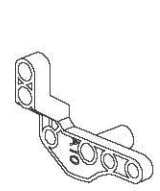
A17



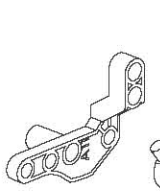
B7



B8



A10



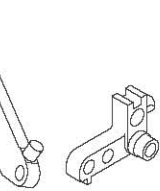
A11



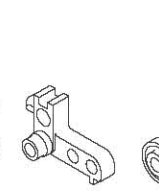
B5



B6



B34



B35



C2x2



C21x2



B22



B24



B1x2



B12



B13



B23



B29



D8



B14x4

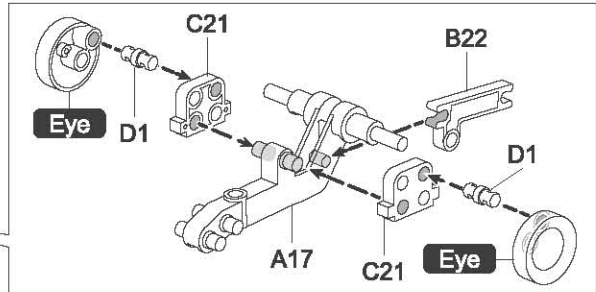
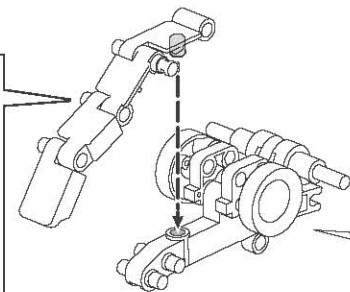
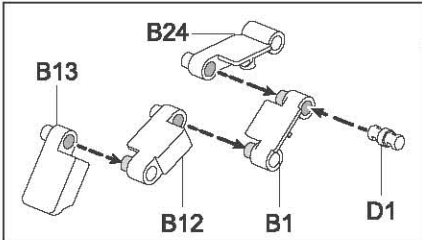


B15

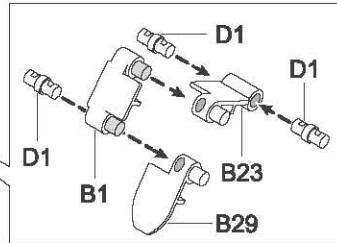
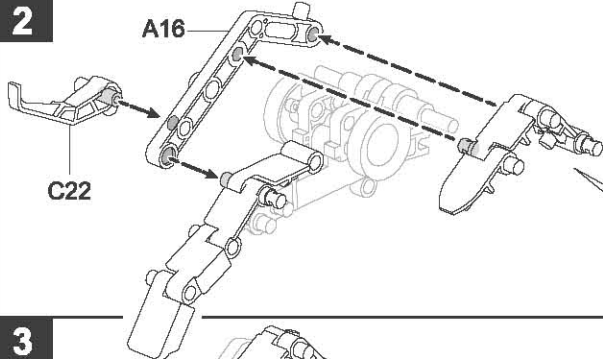


B16

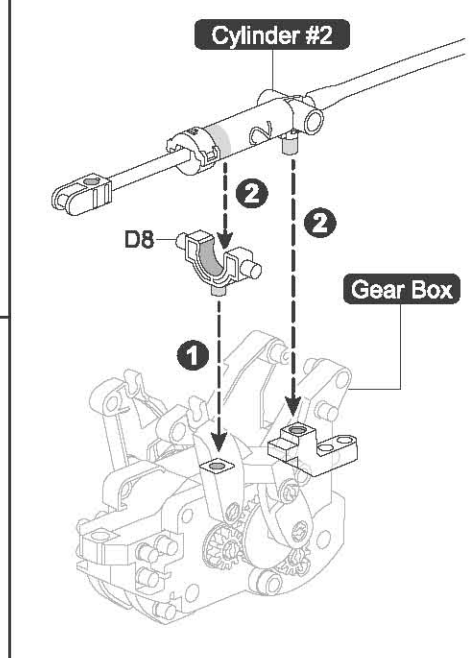
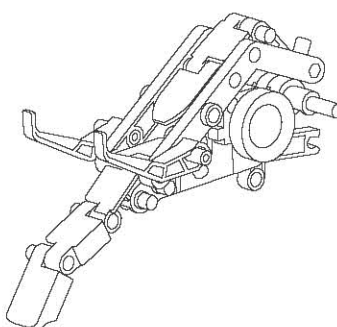
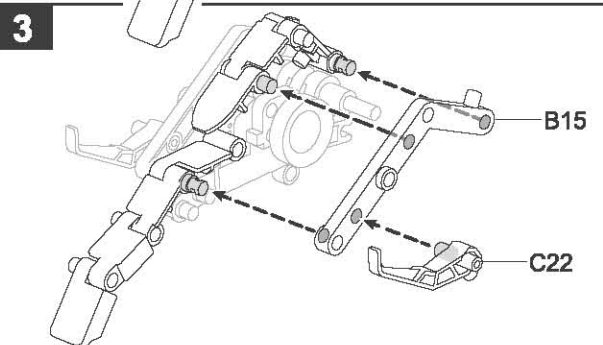
1

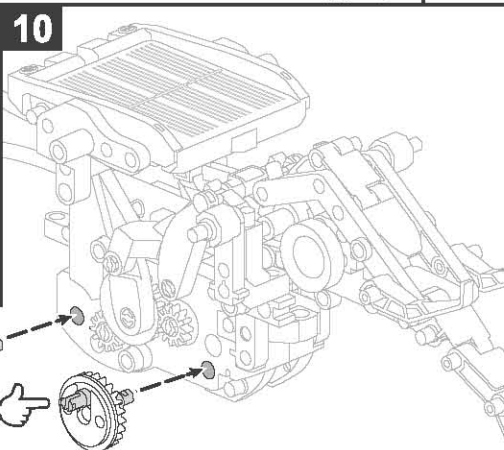
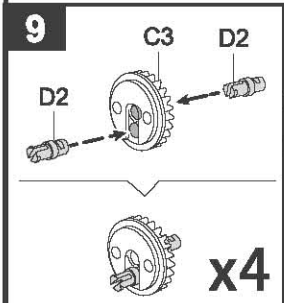
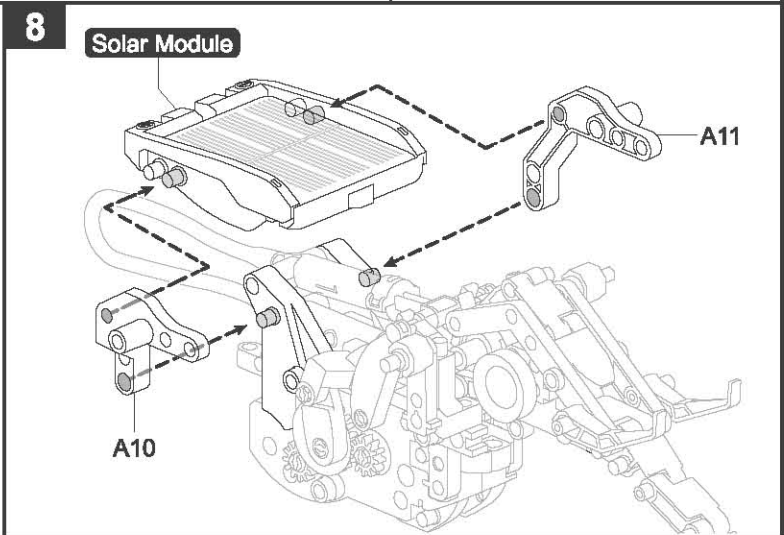
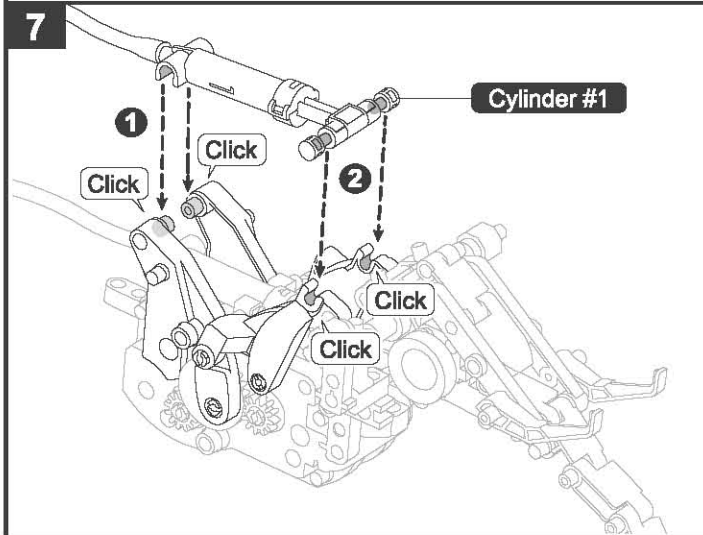
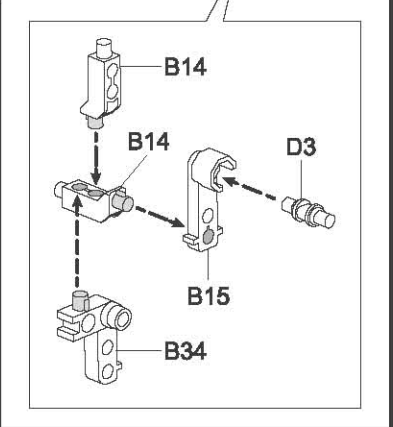
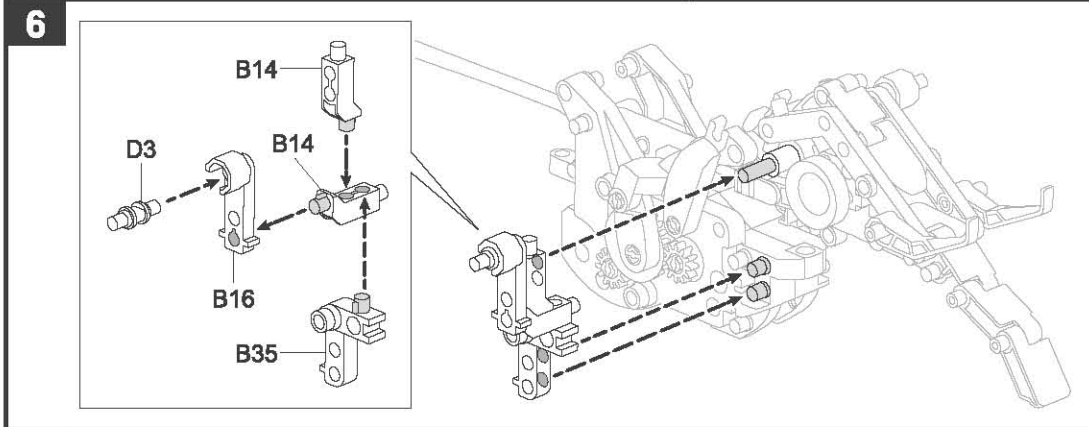
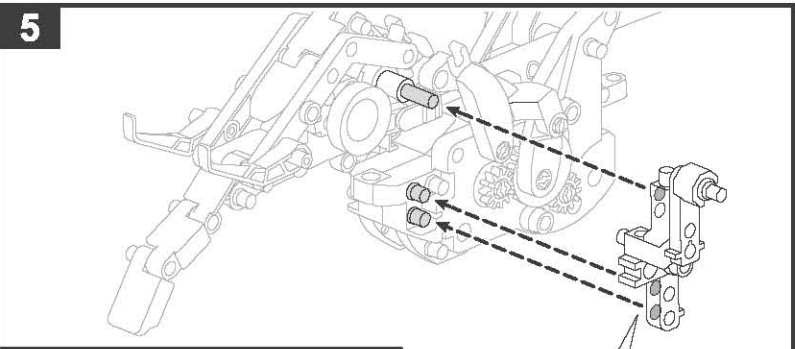
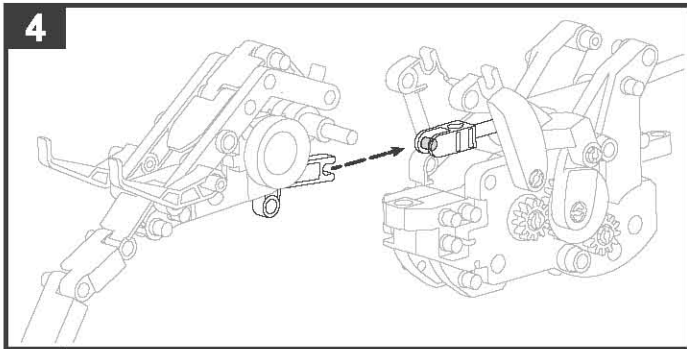


2

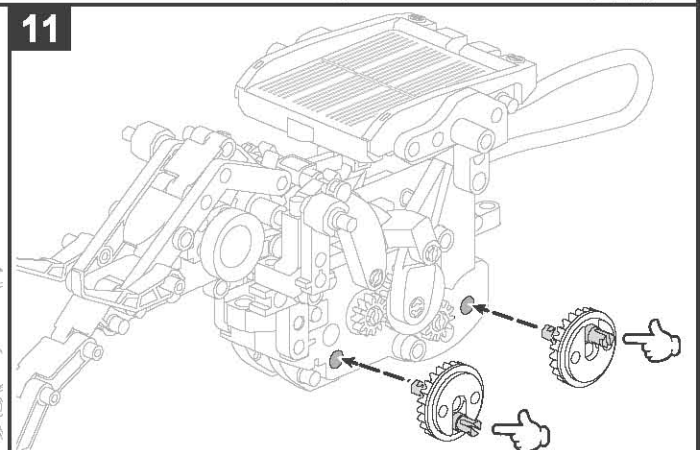
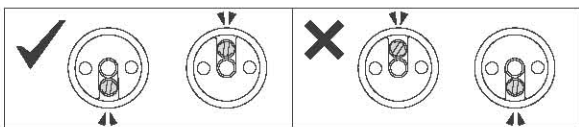


3

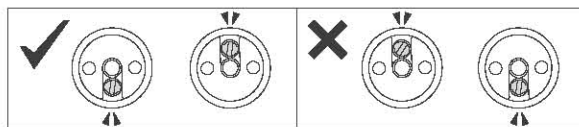




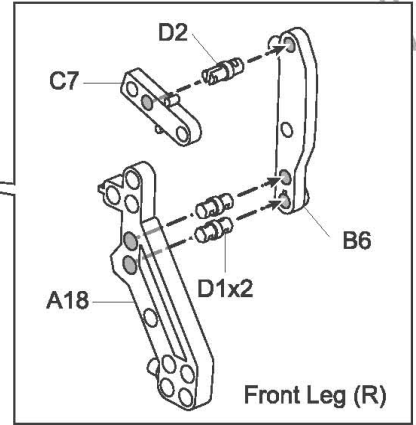
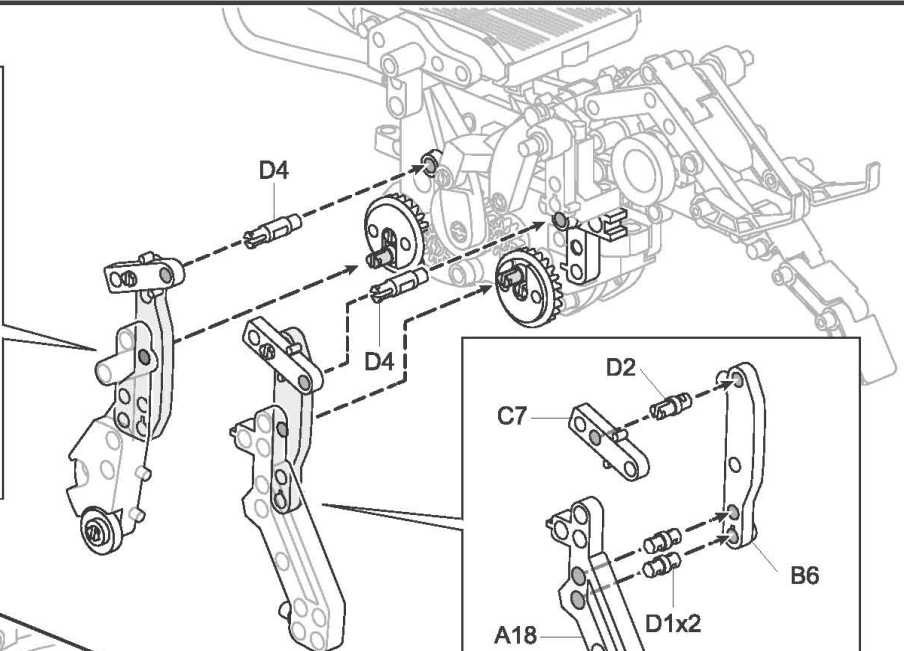
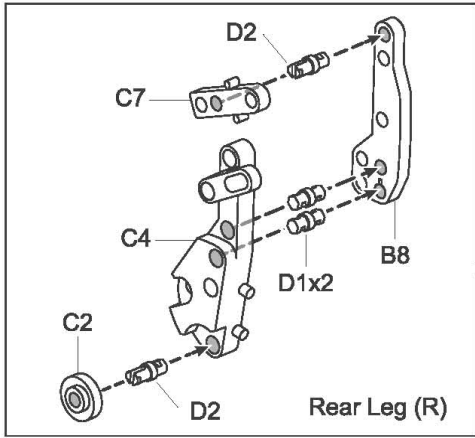
► Right Side



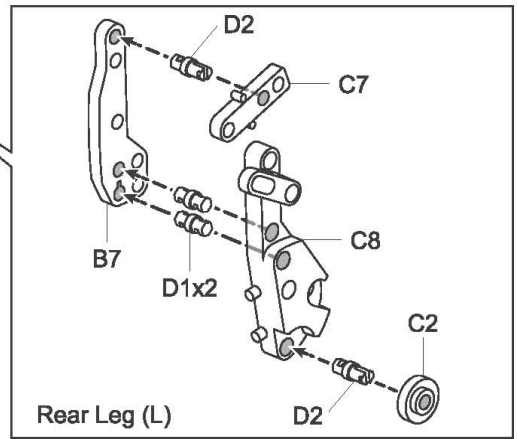
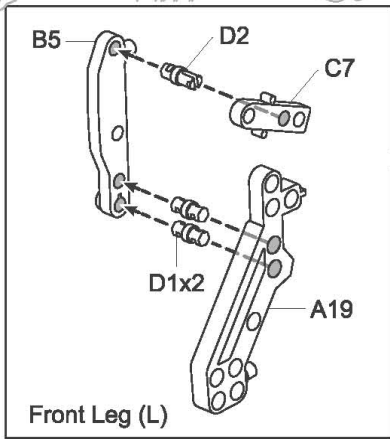
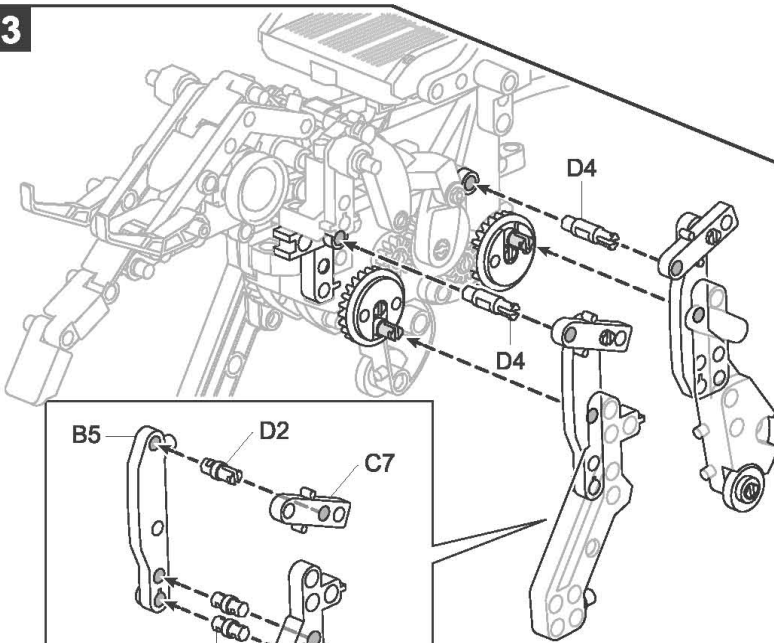
► Left Side



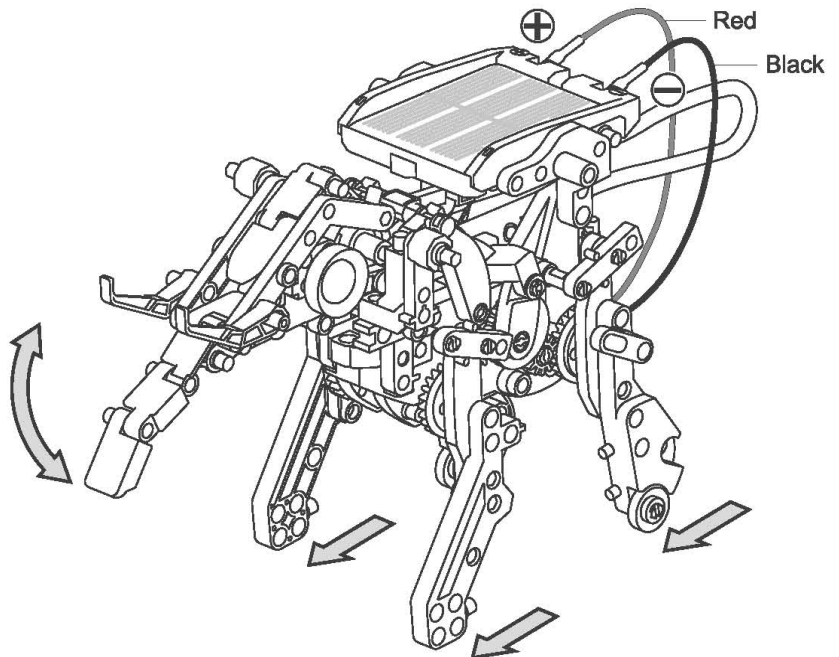
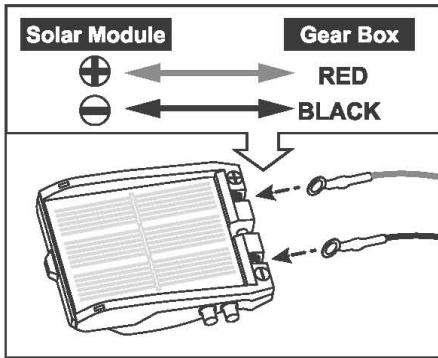
12



13



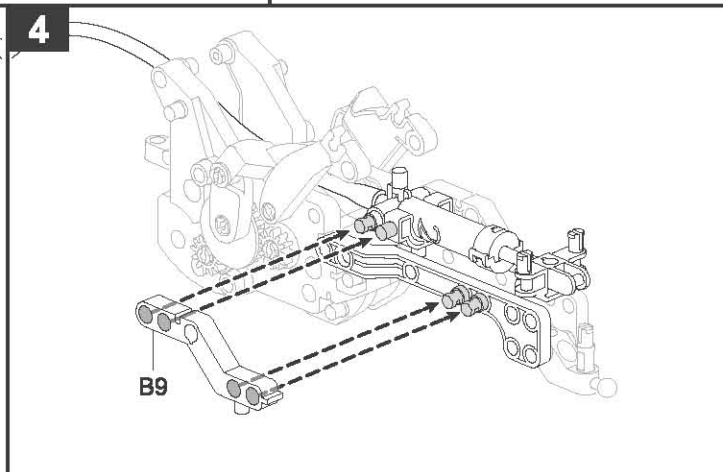
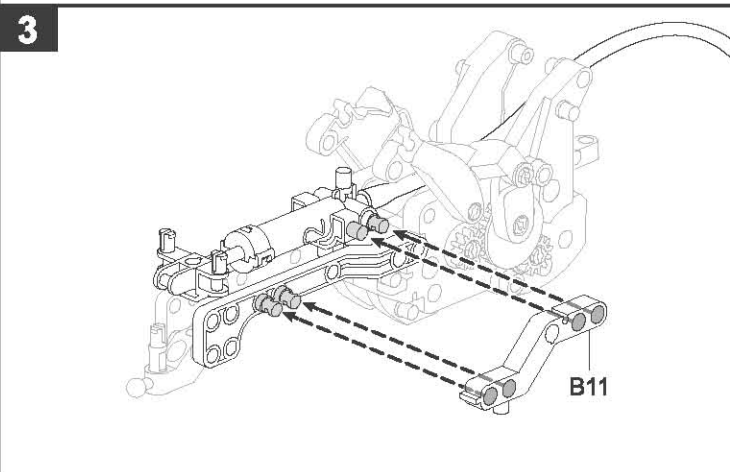
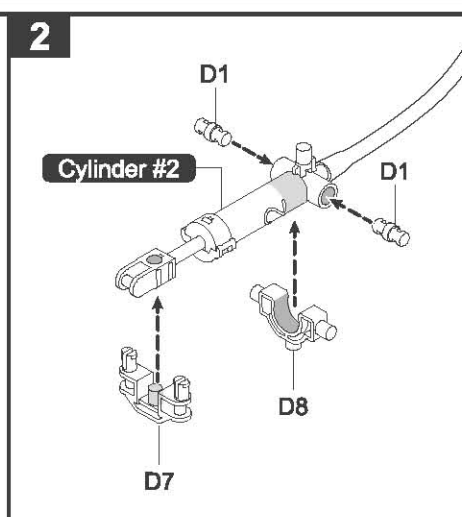
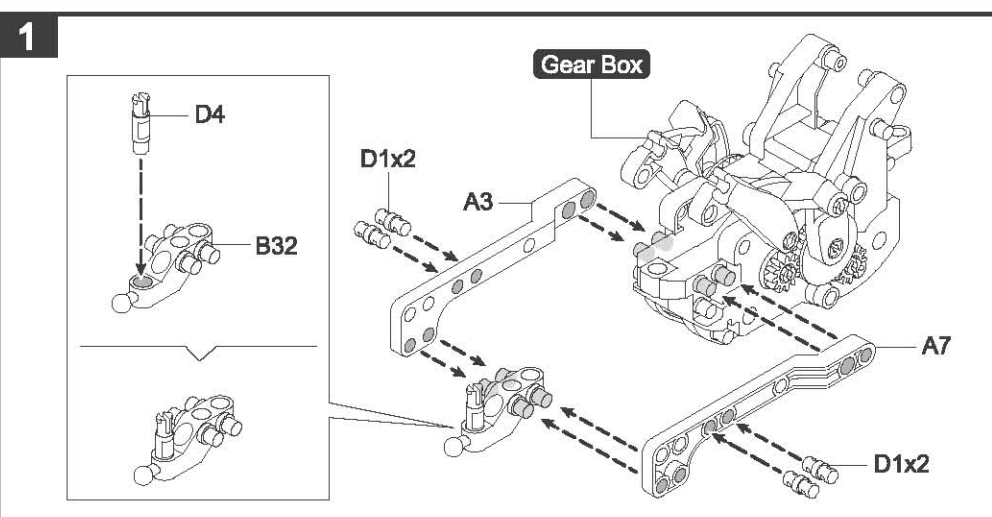
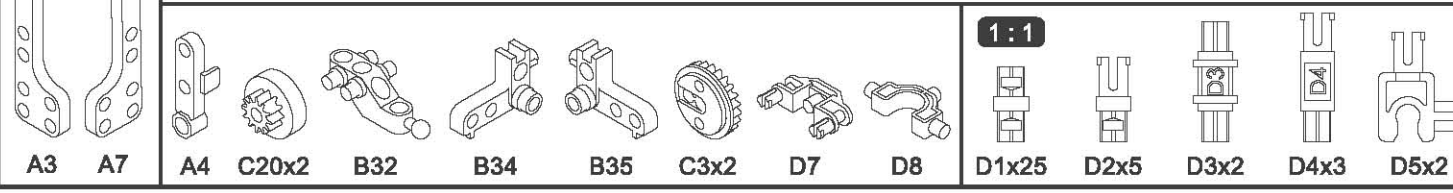
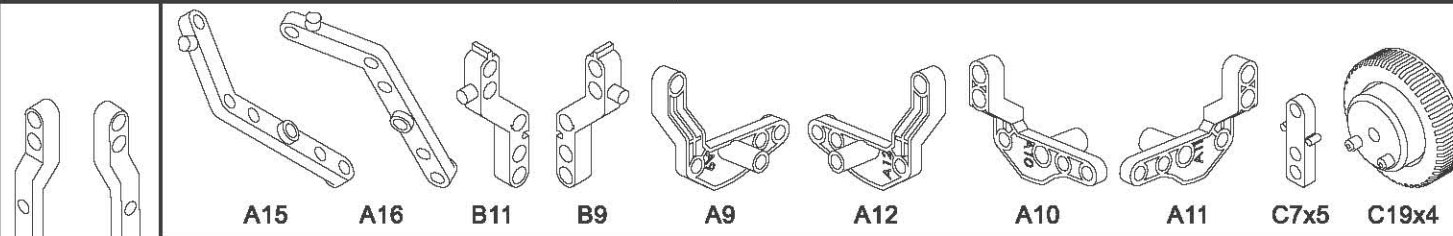
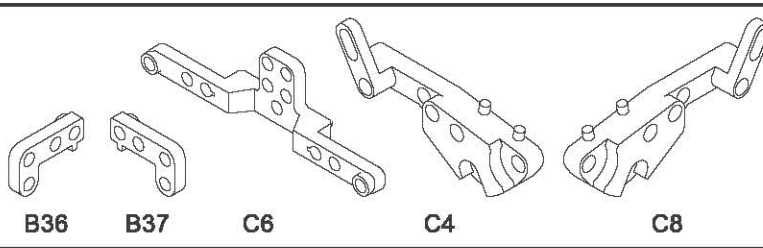
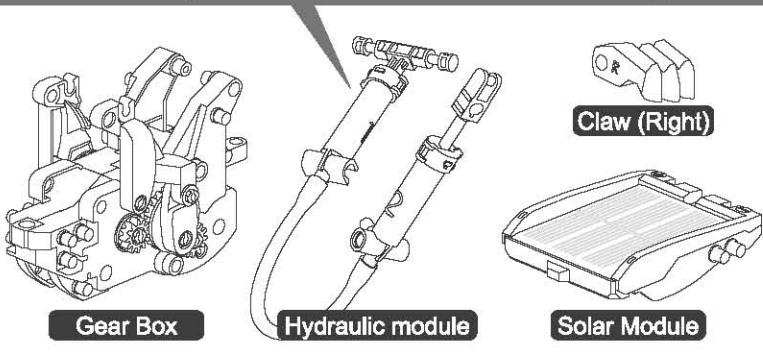
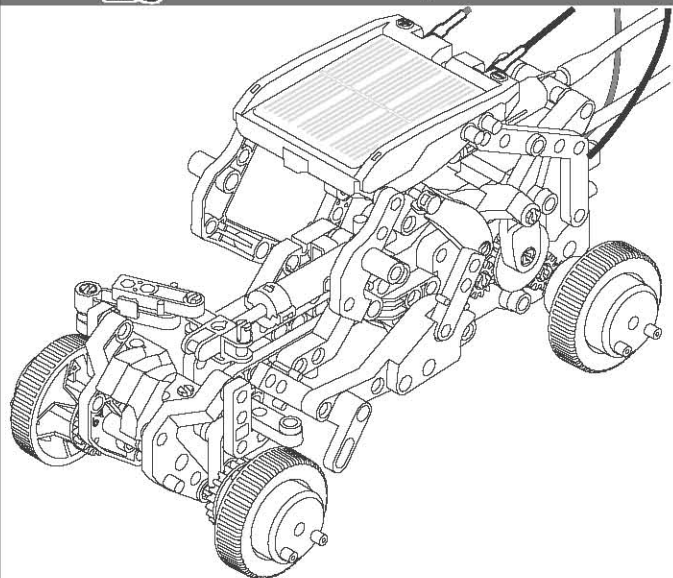
14



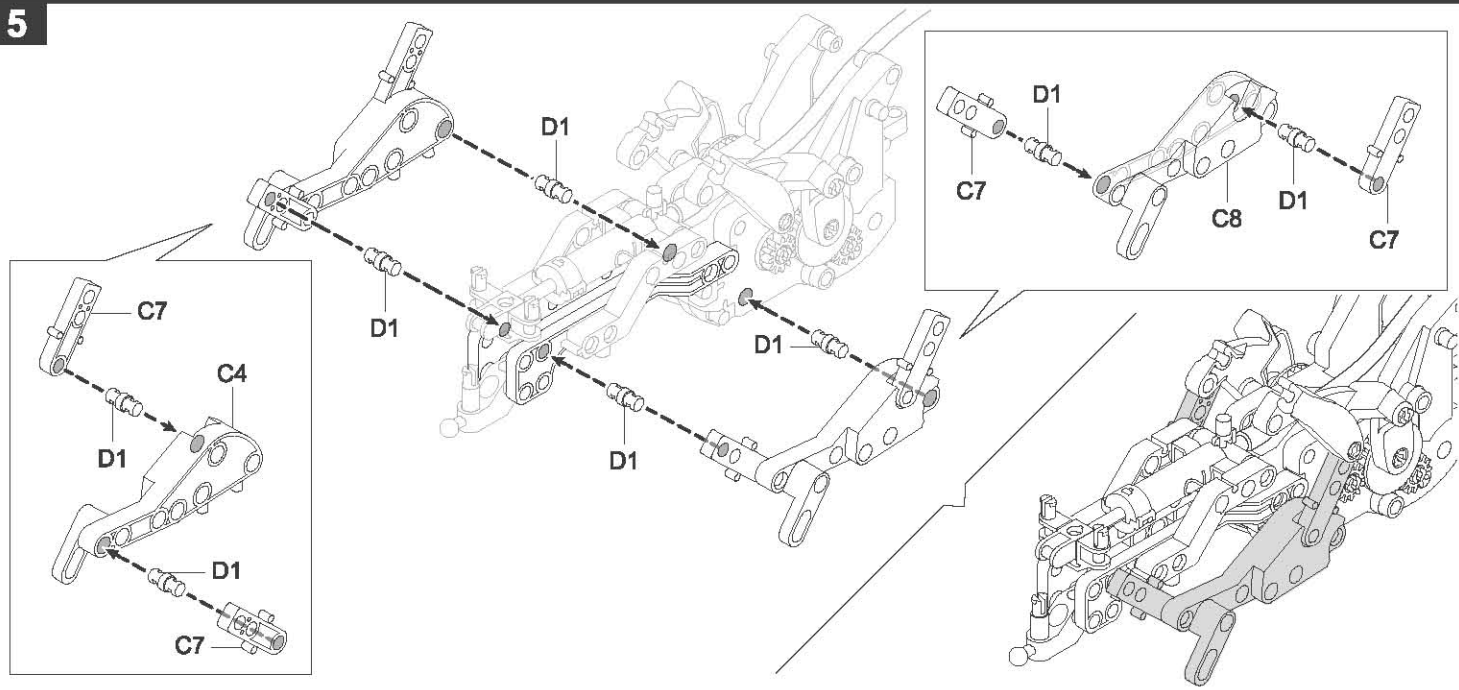
09. Buggy Assembly



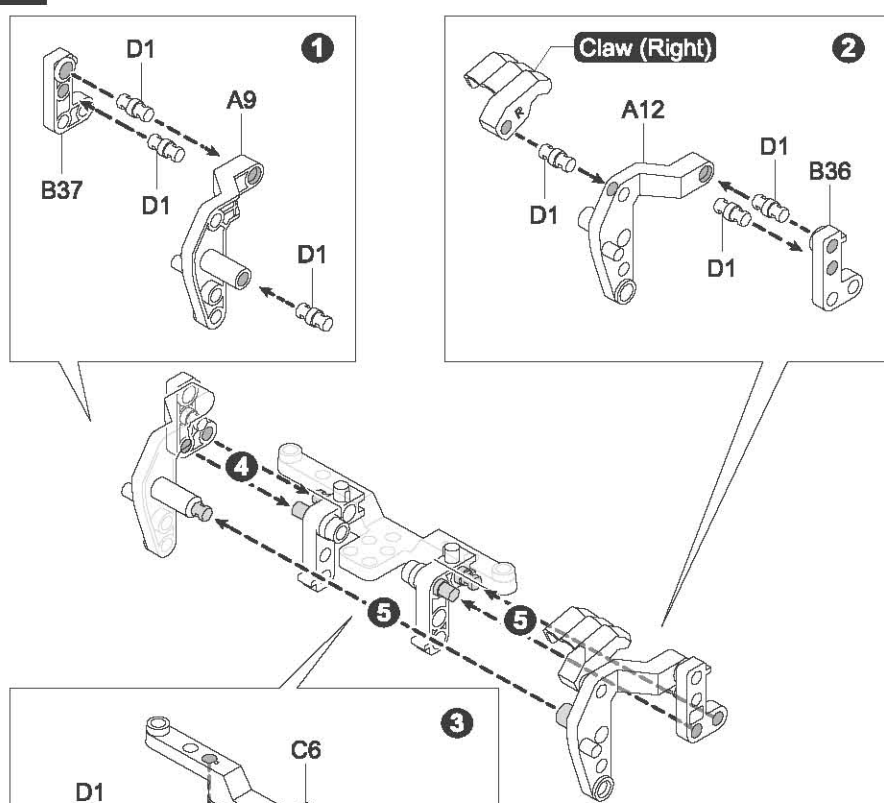
Before assembly check the air condition in the cylinder and add water if necessary



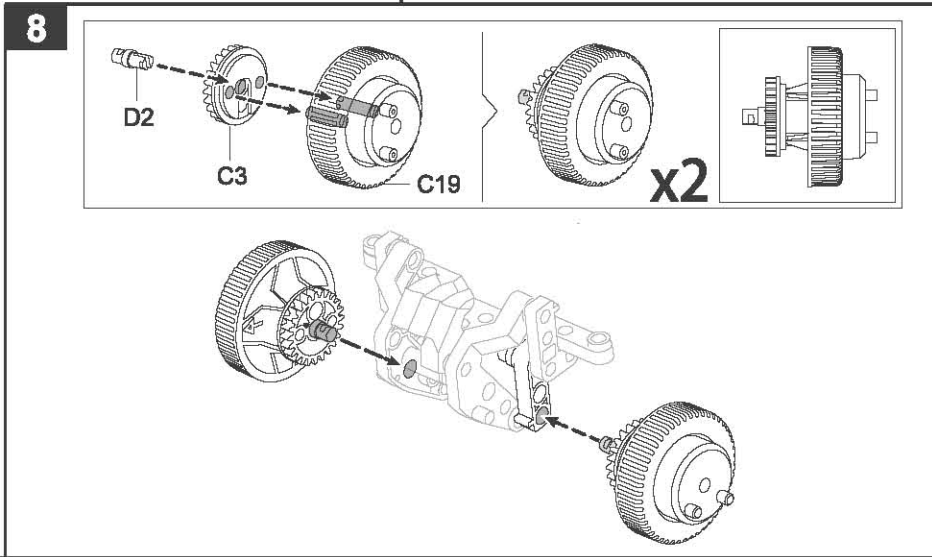
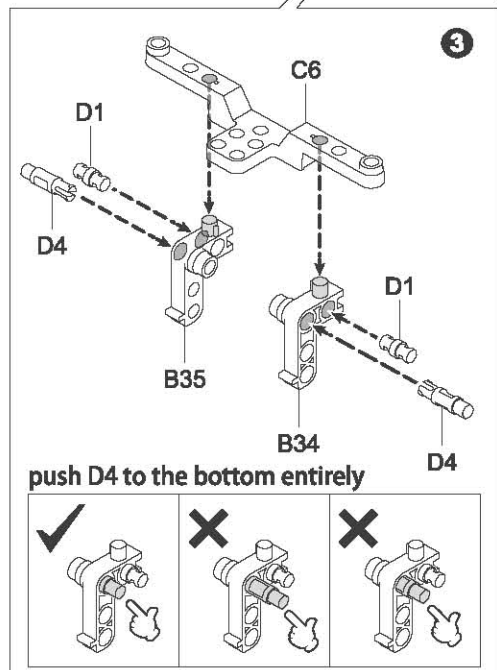
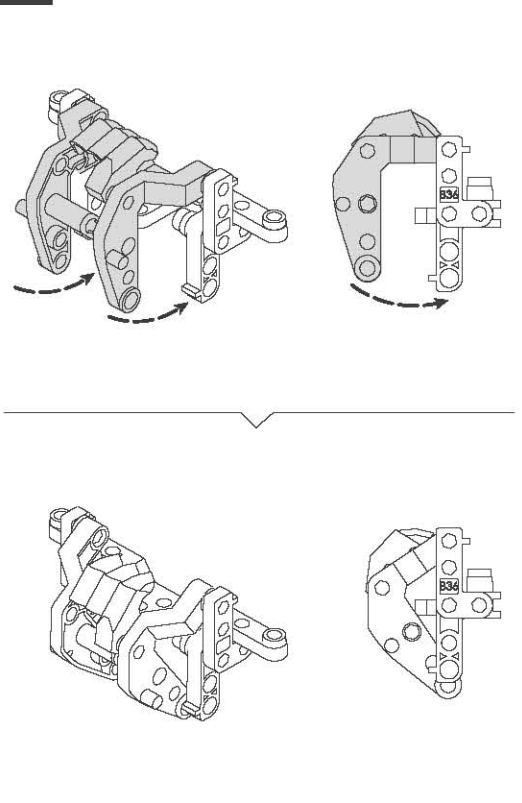
5



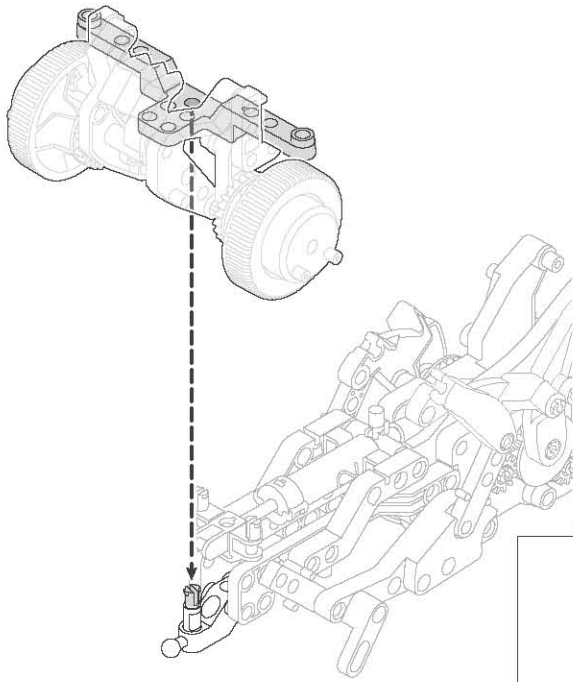
6



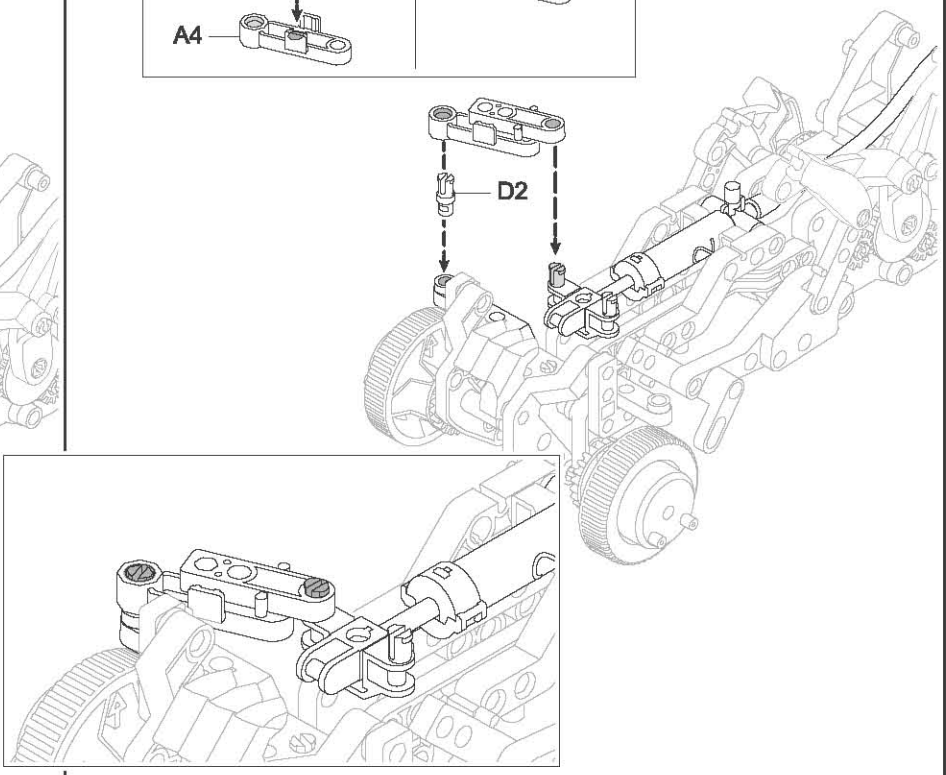
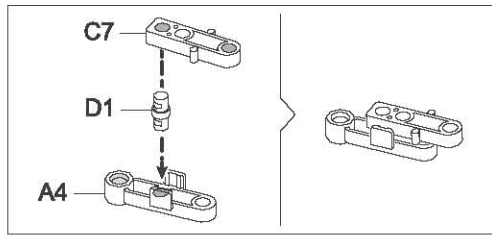
7



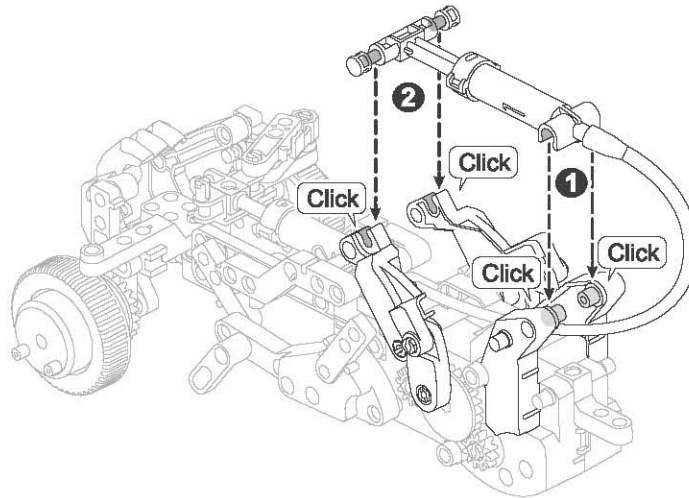
9



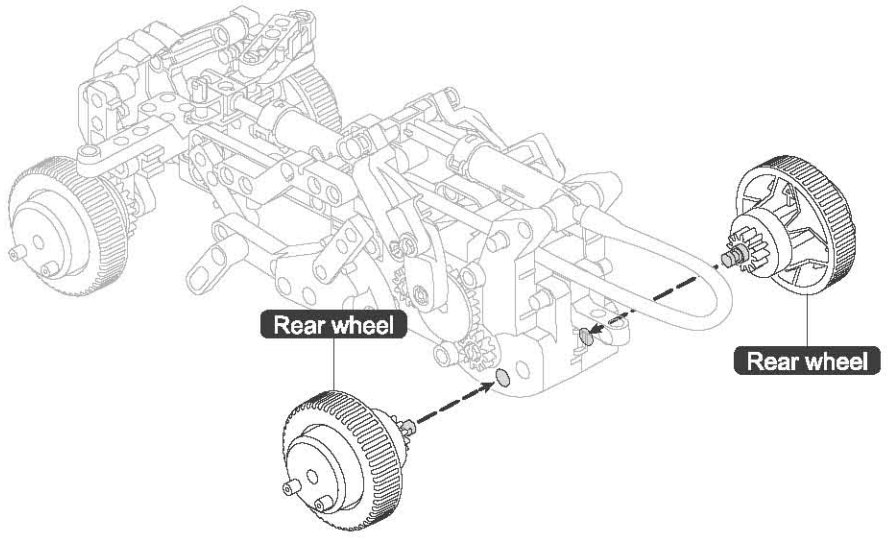
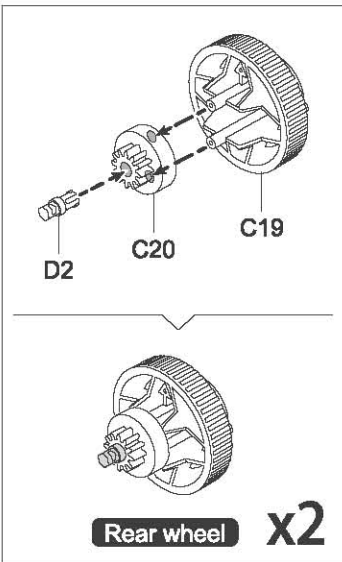
10



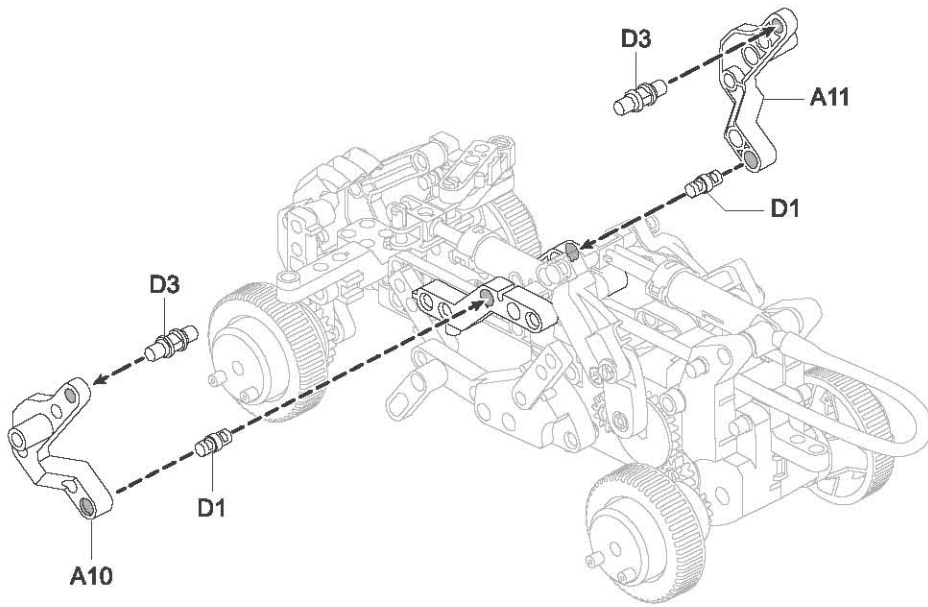
11



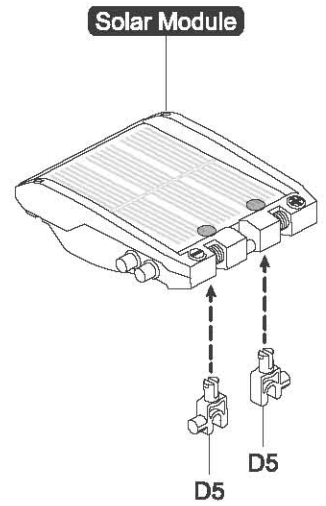
12



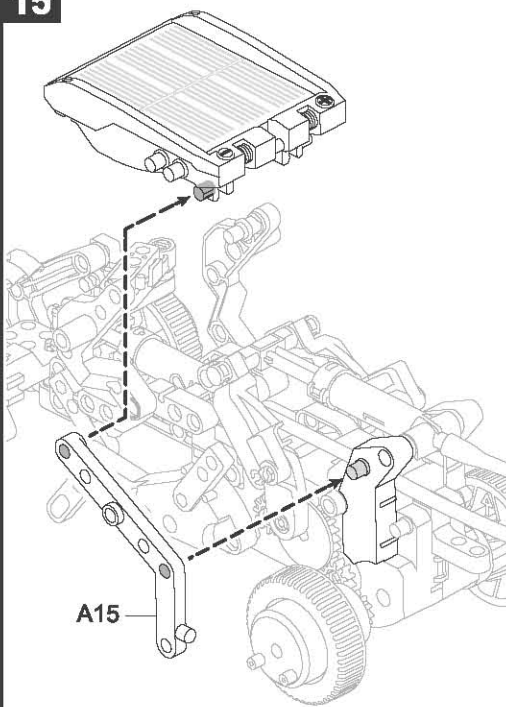
13



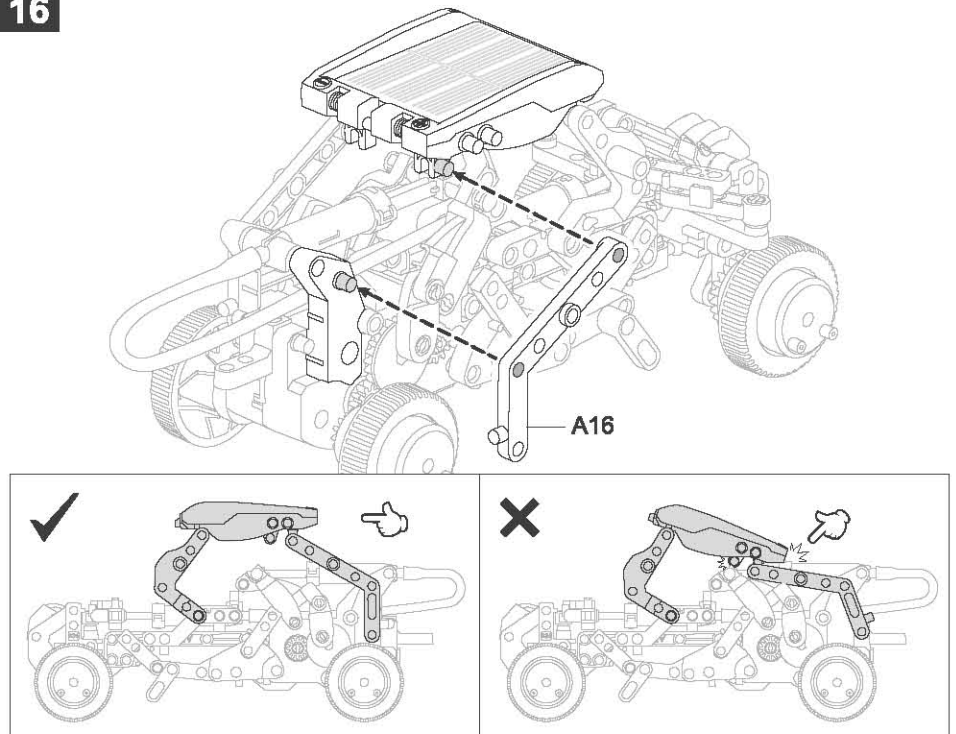
14



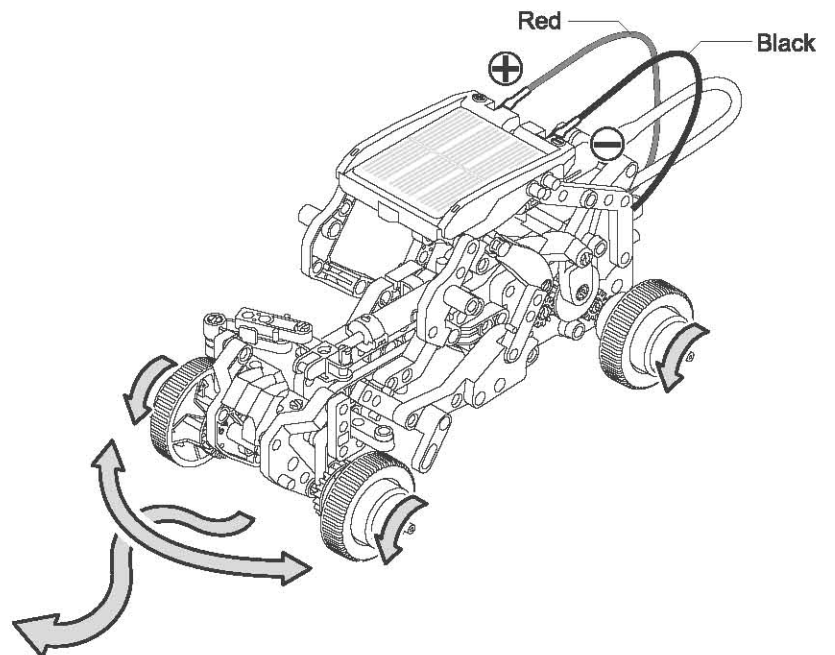
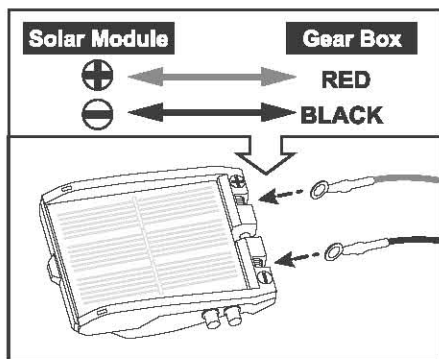
15



16

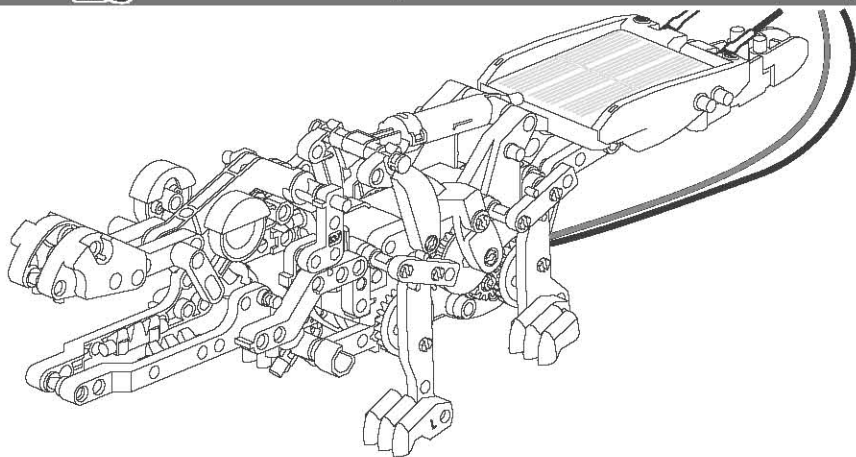


17



10. Crocodile Assembly

Before assembly check the air condition in the cylinder and add water if necessary



Eye x2

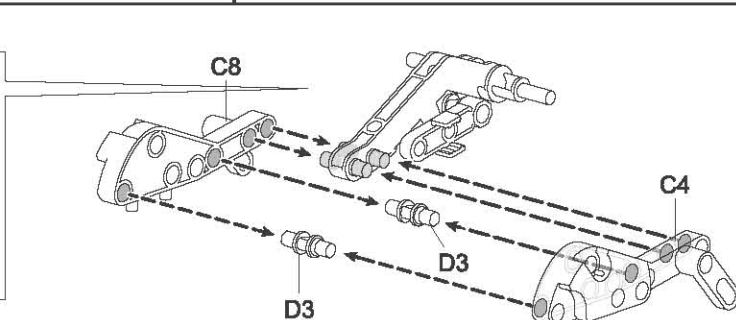
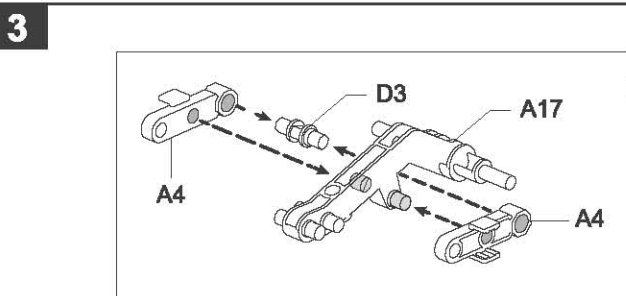
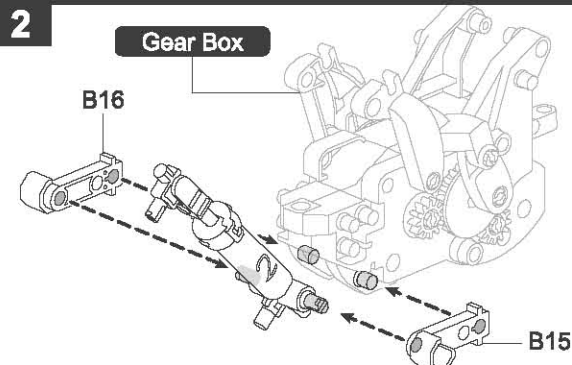
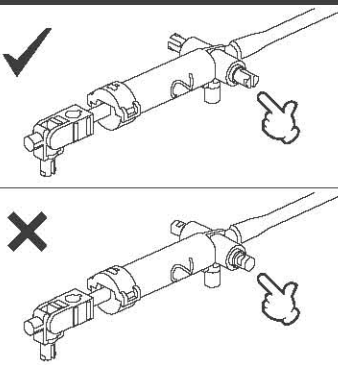
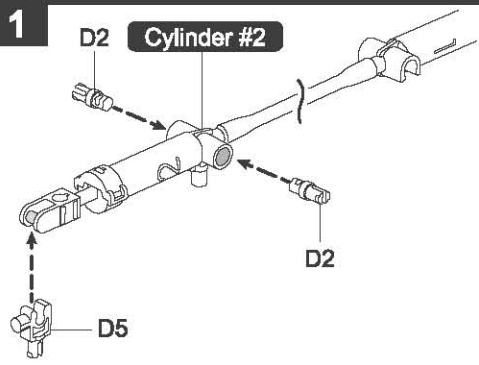
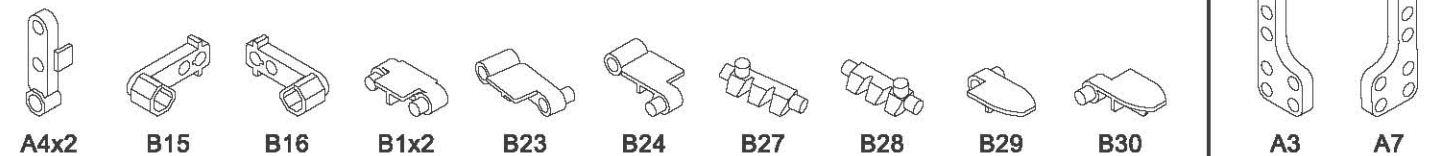
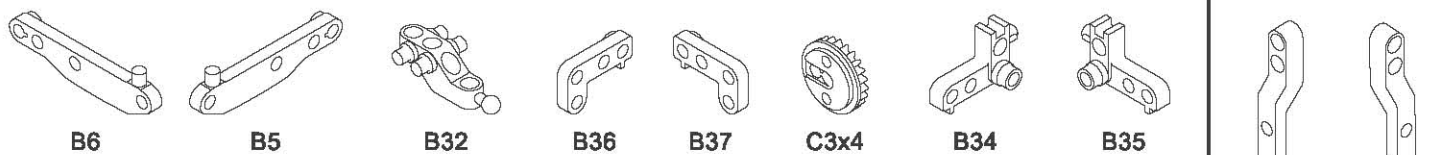
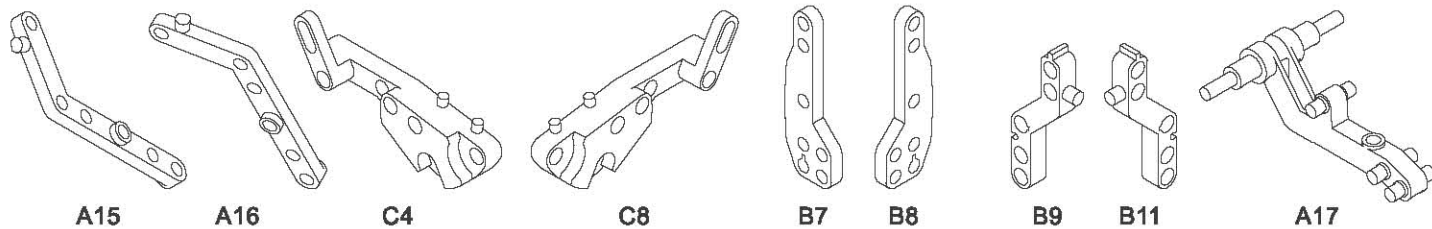
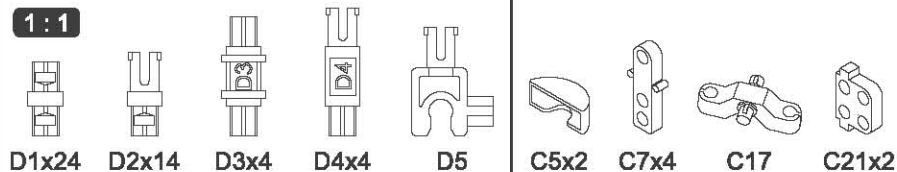
Claw (Right) x2
Claw (Left) x2

Hydraulic module

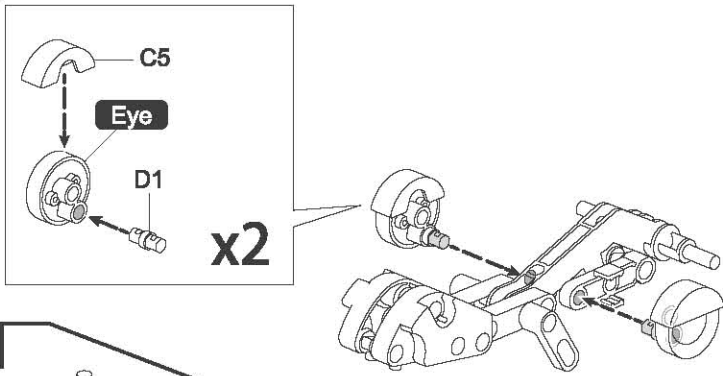
Gear Box

Solar Module

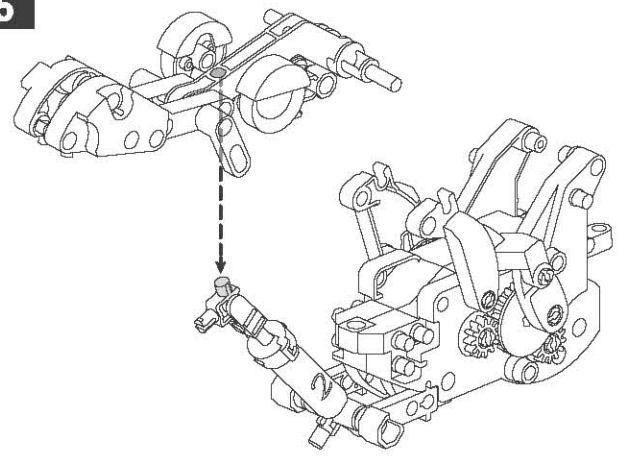
1:1



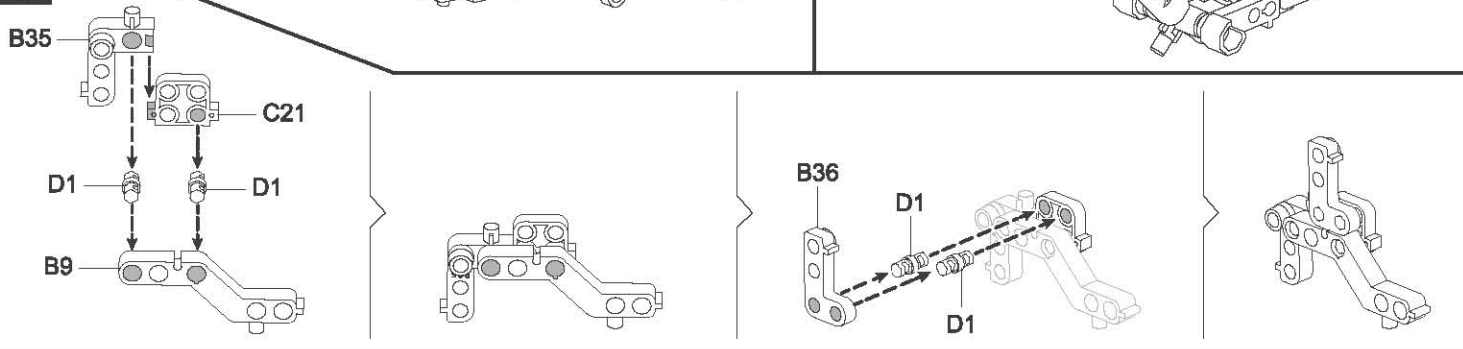
4



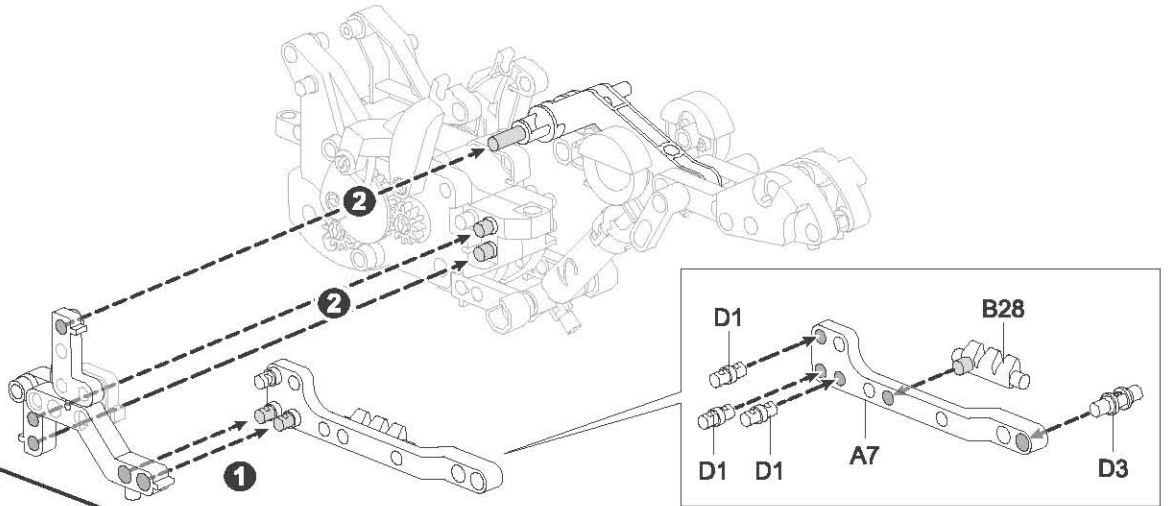
5



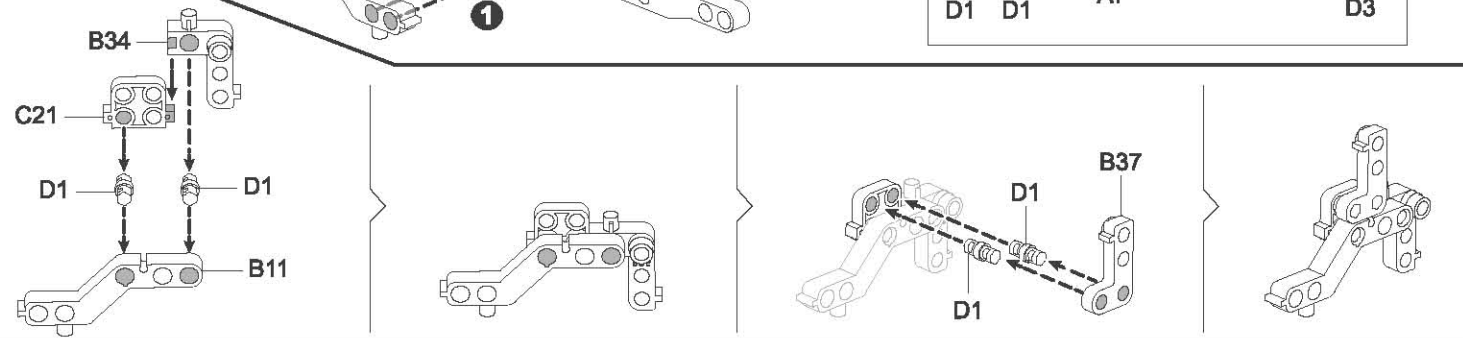
6



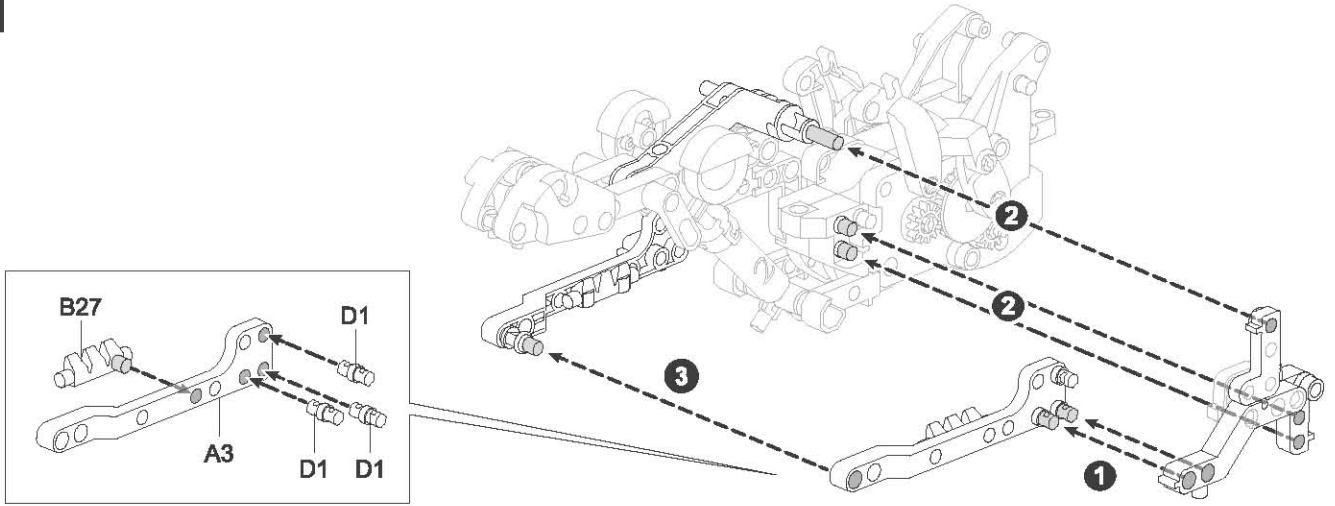
7

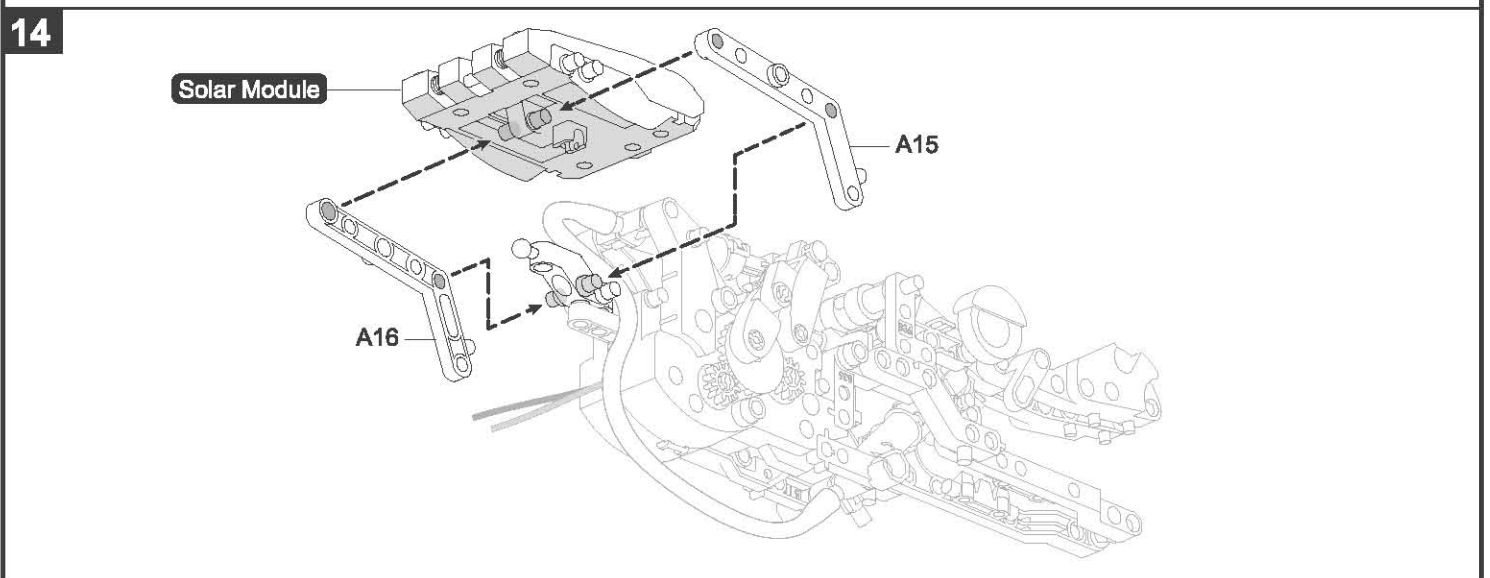
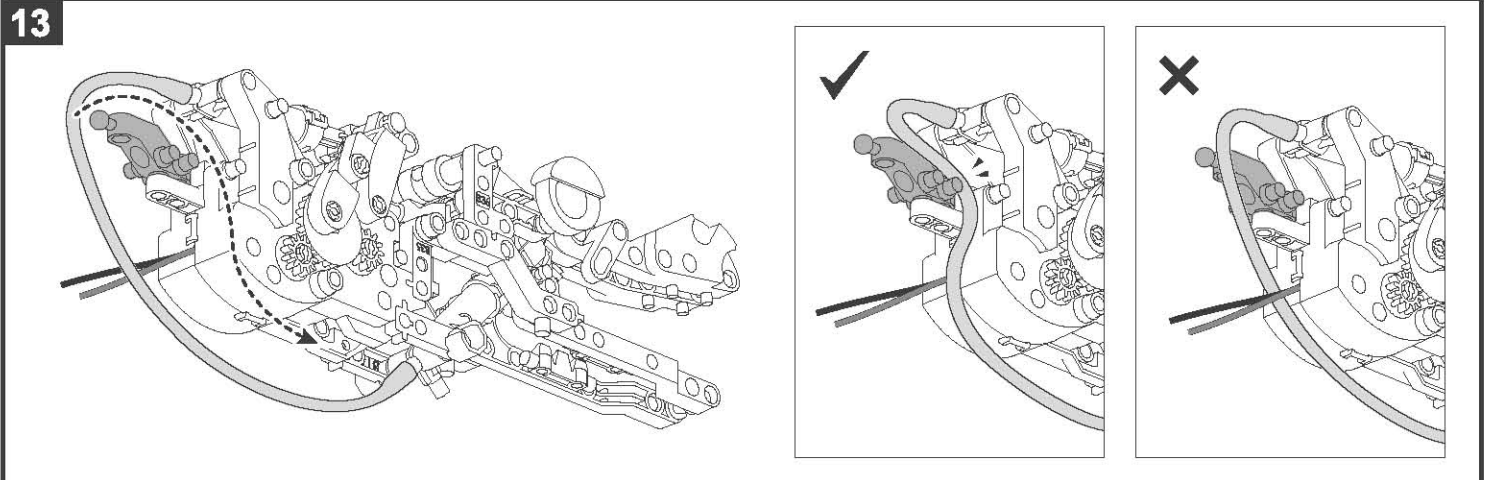
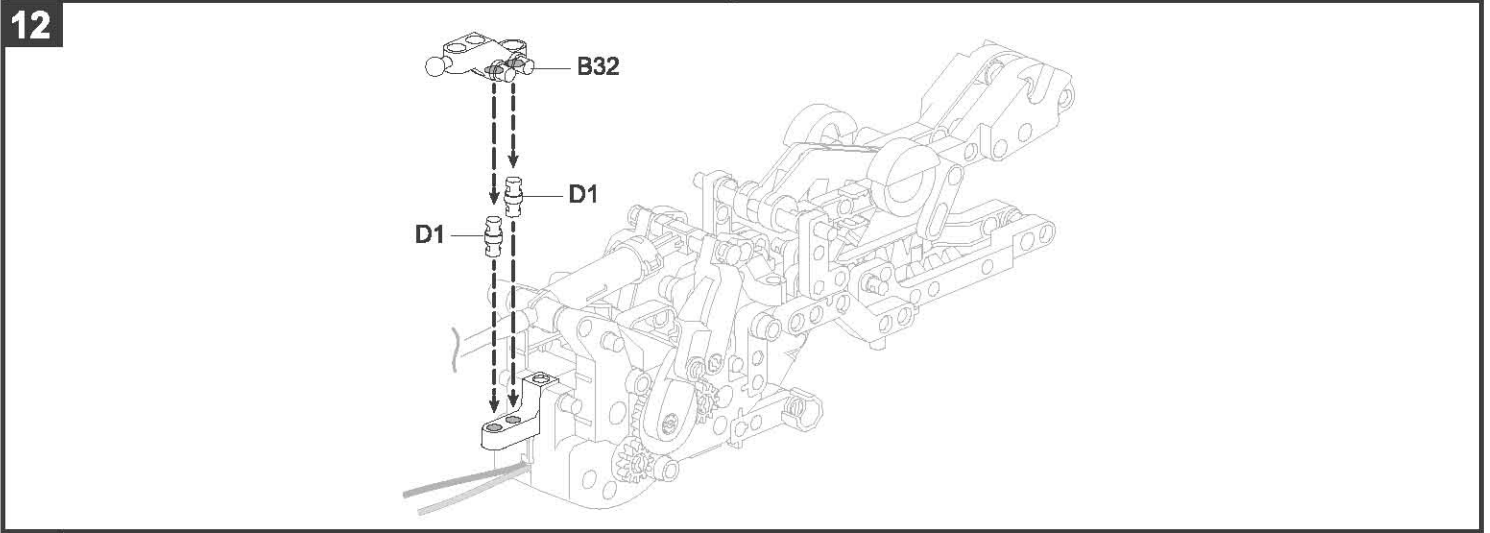
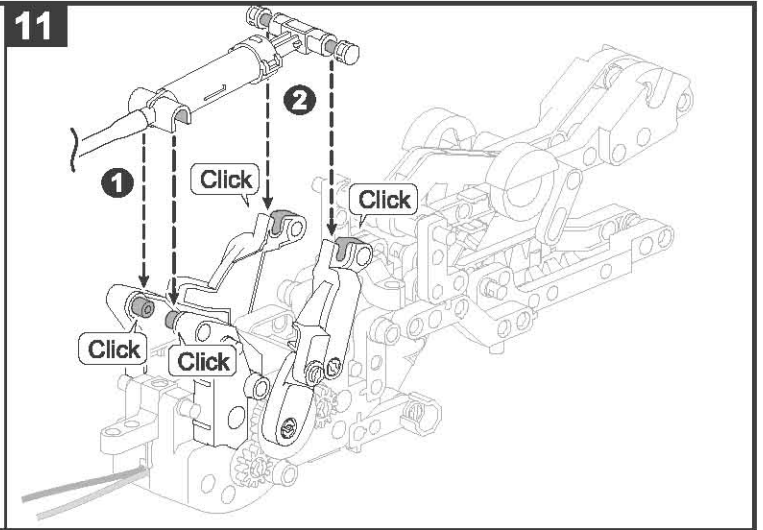
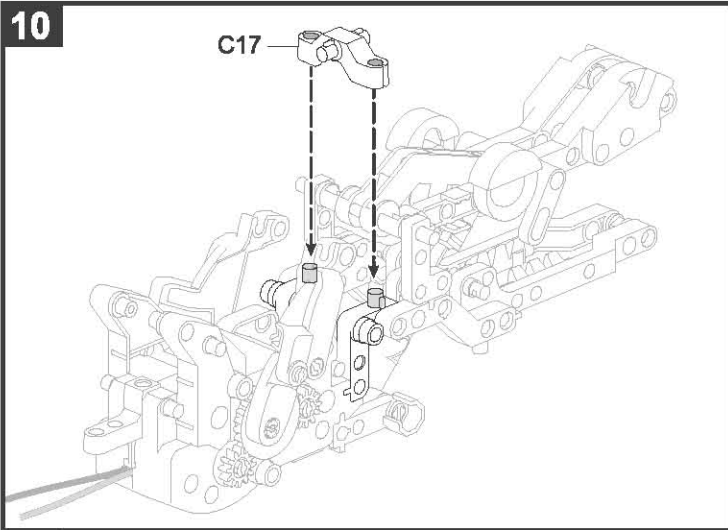


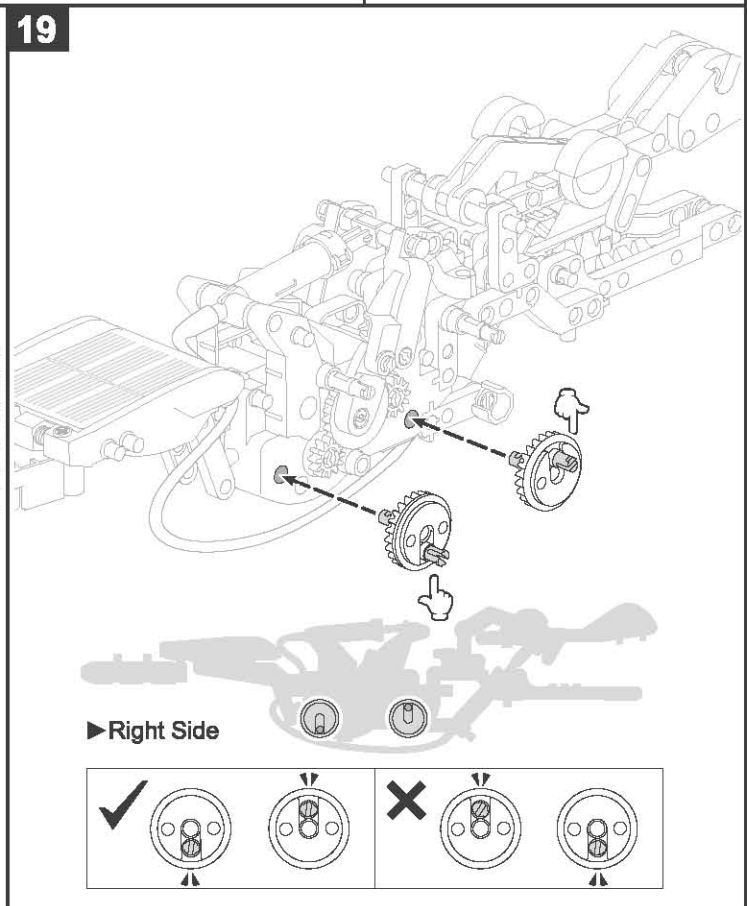
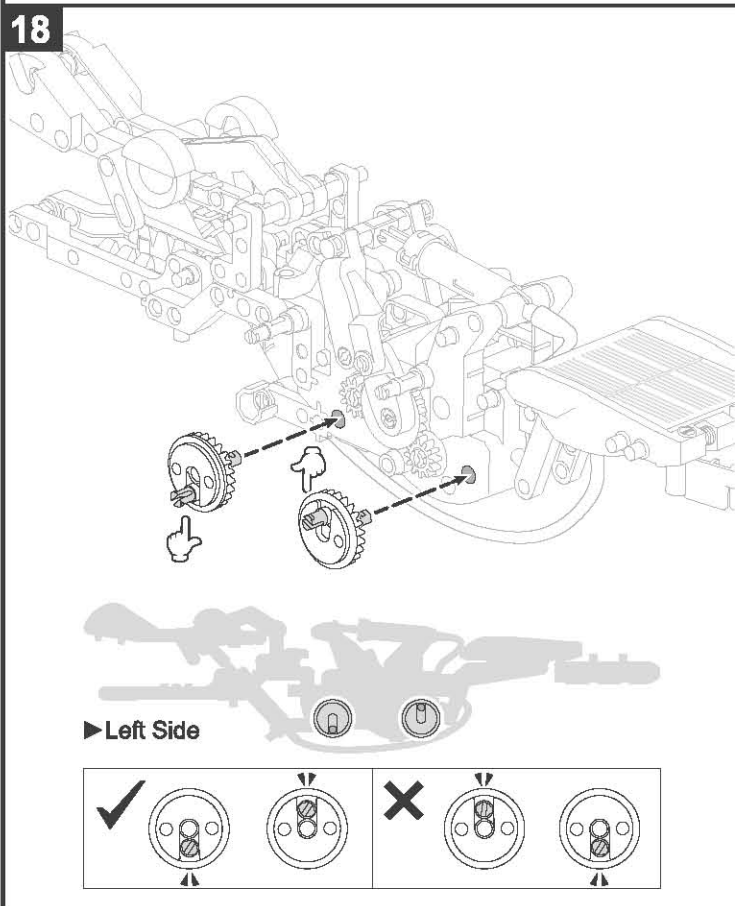
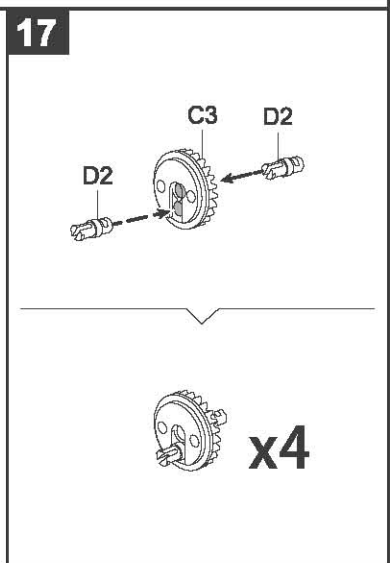
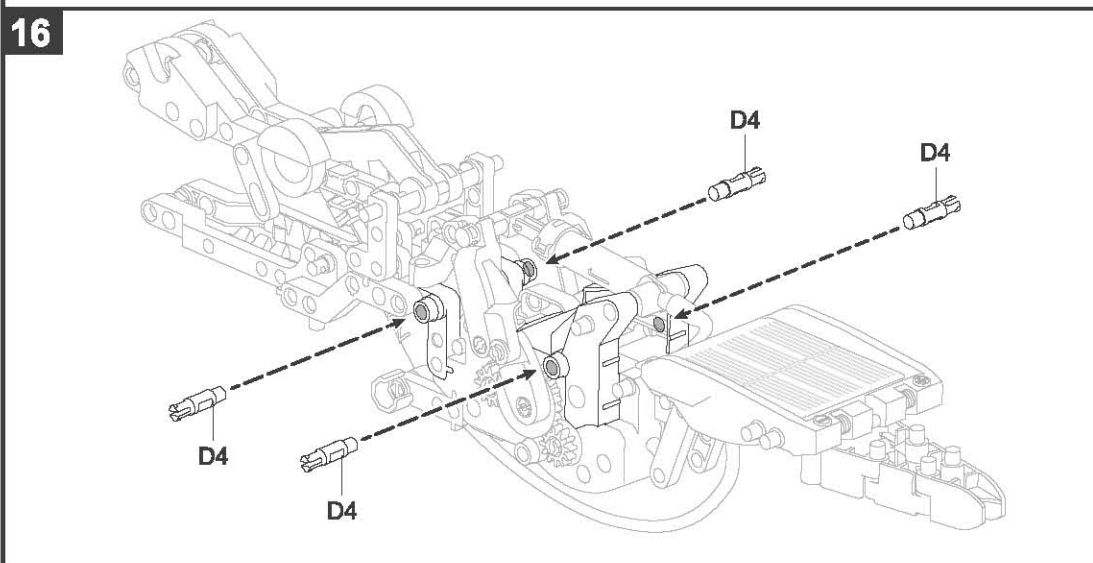
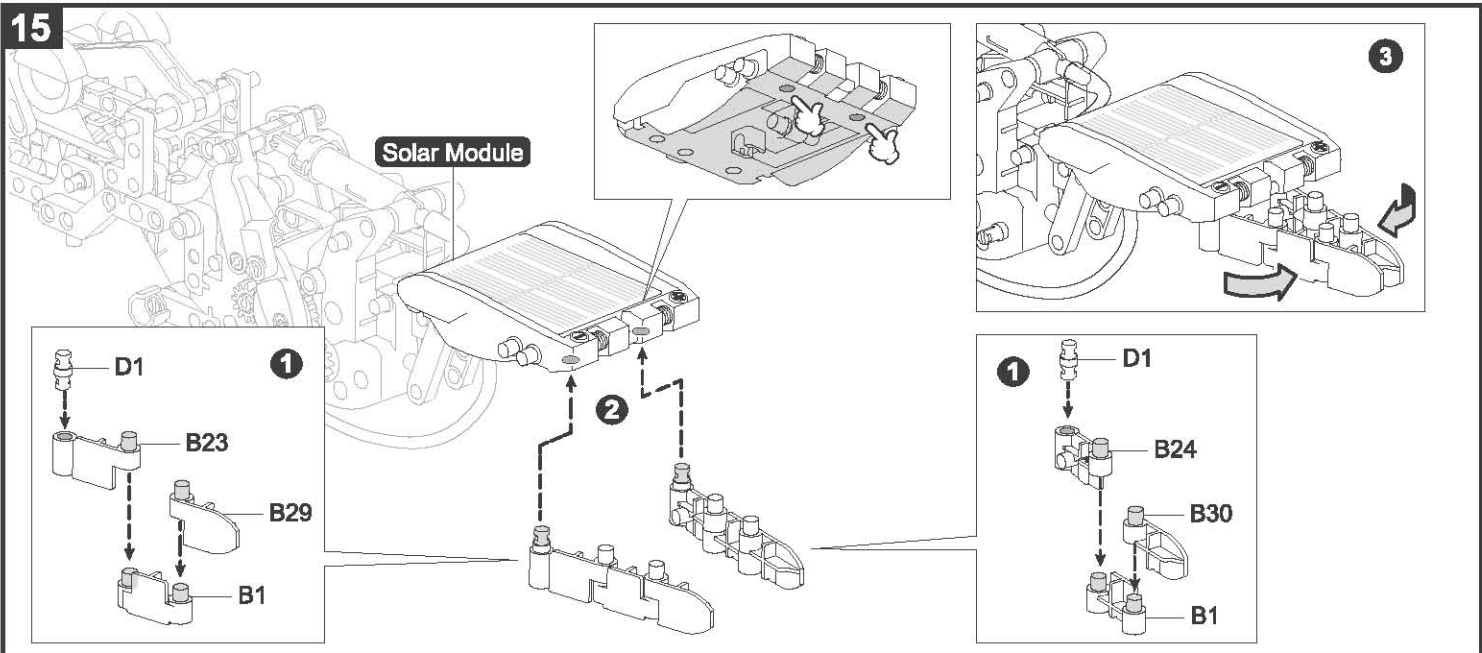
8



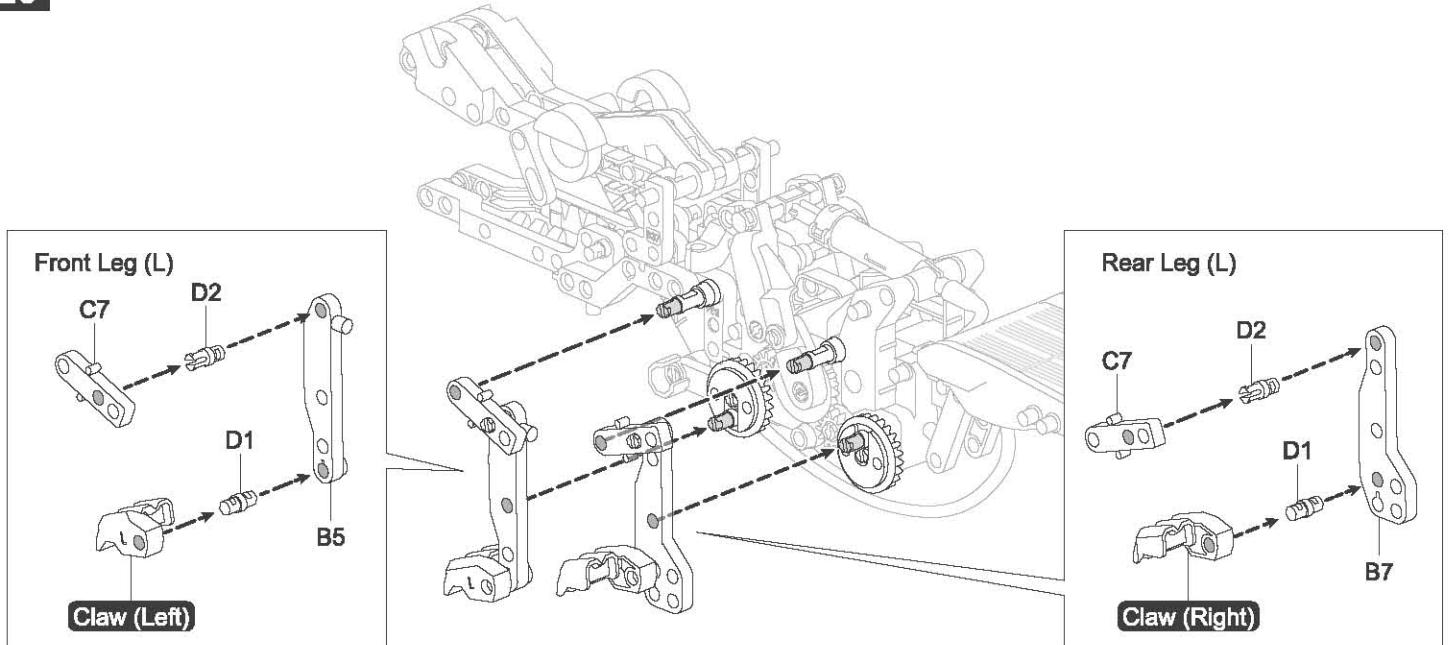
9



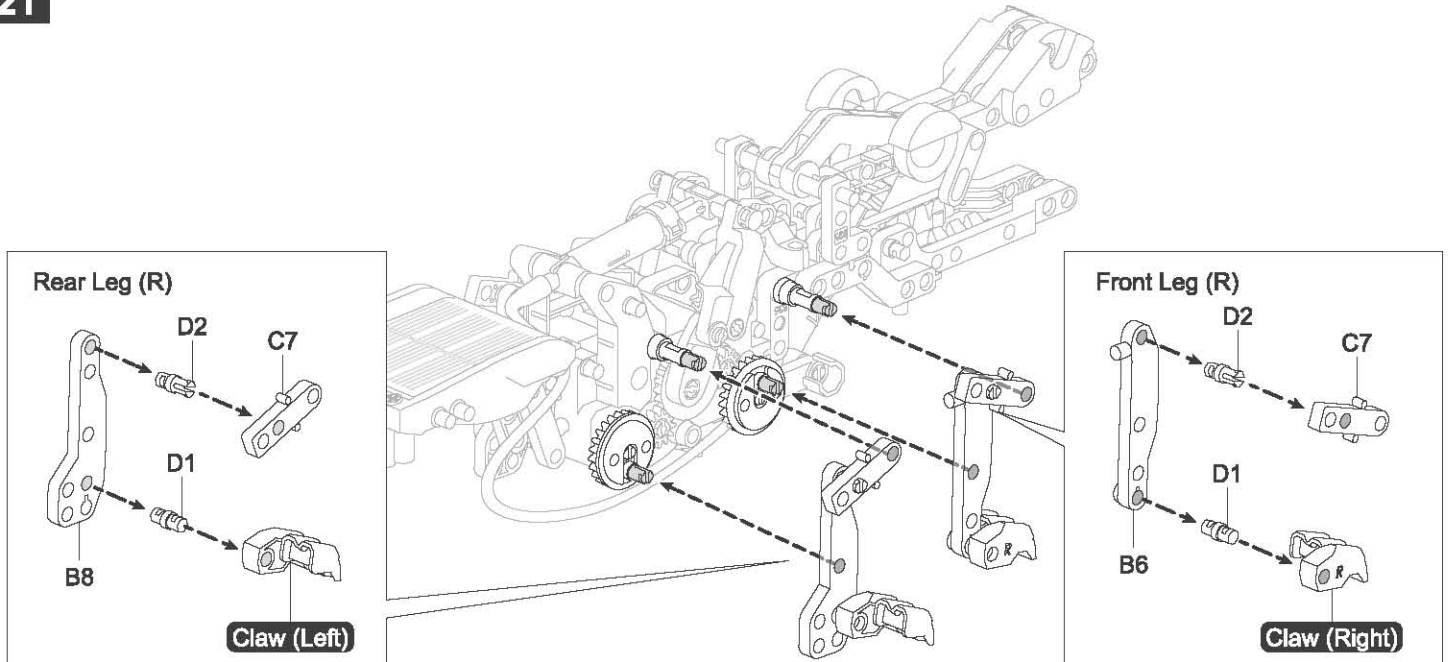




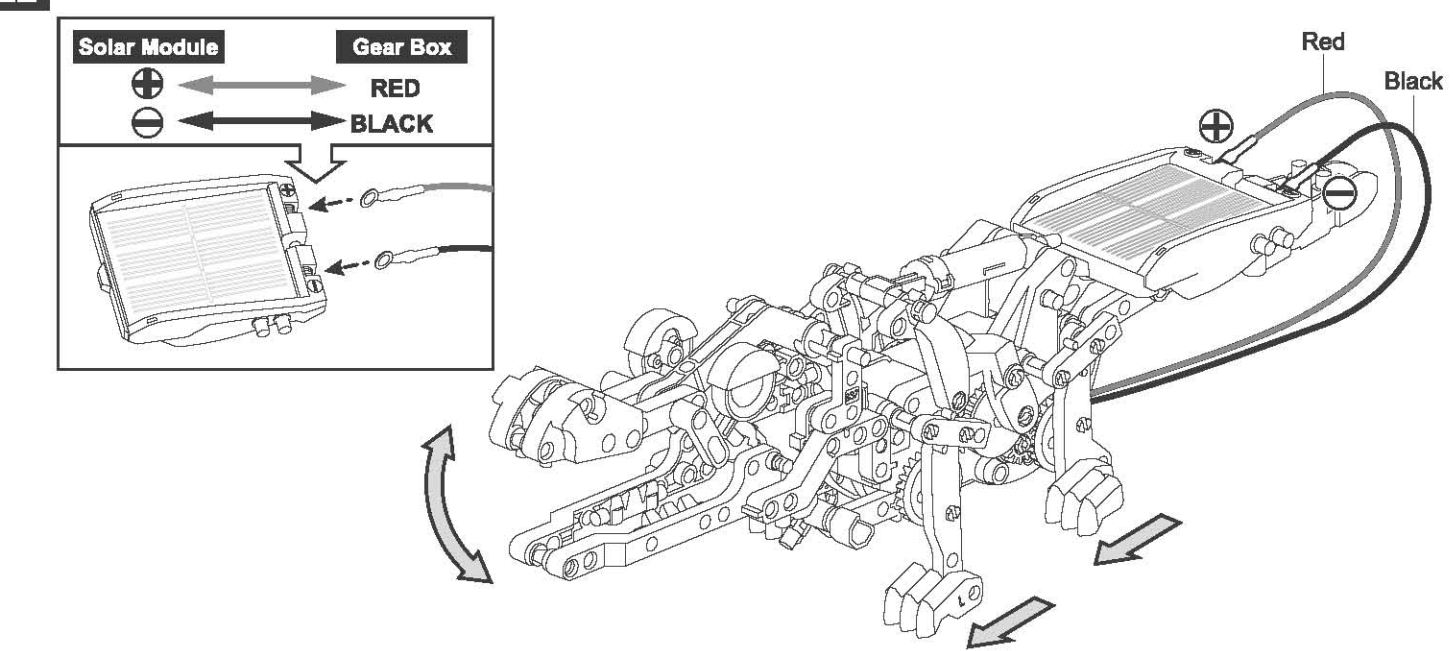
20



21



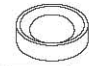
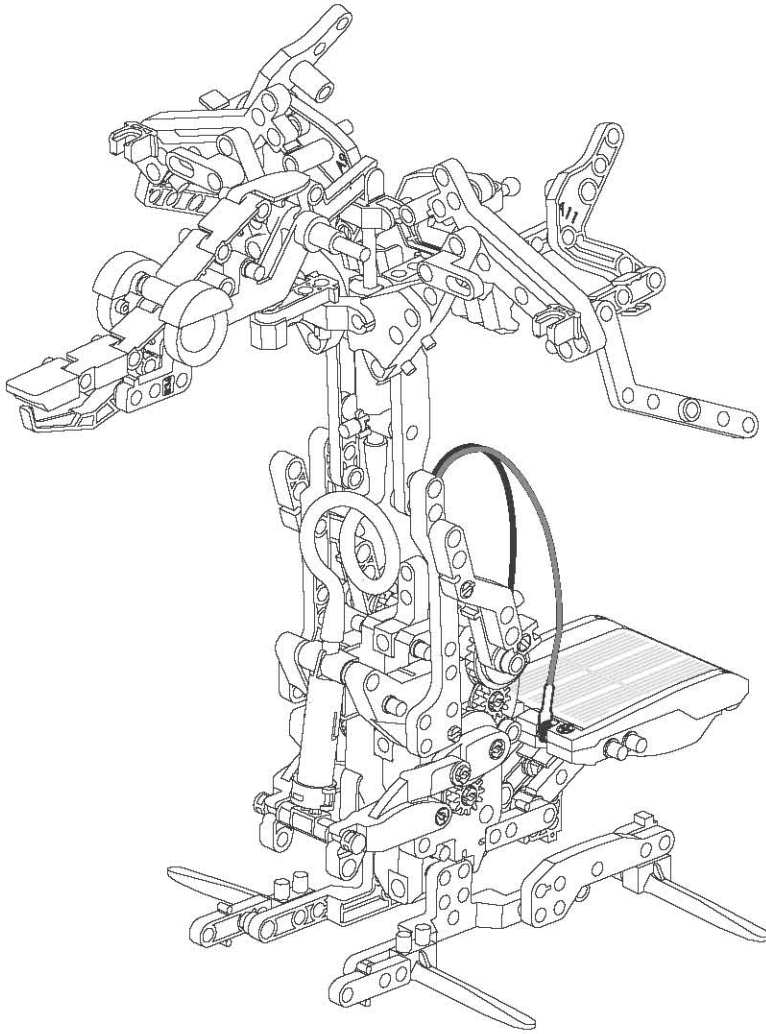
22



11. Pterosaurs Assembly



Before assembly check the air condition in the cylinder and add water if necessary



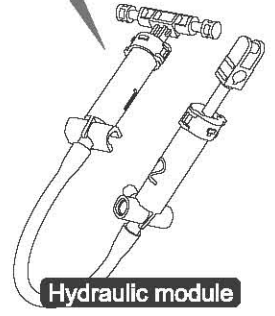
Eye x2



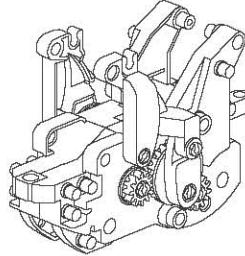
Claw (Right)



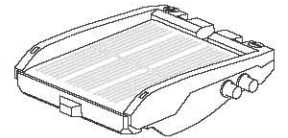
Claw (Left)



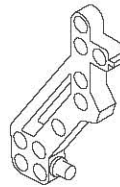
Hydraulic module



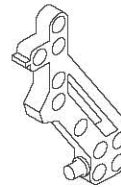
Gear Box



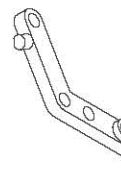
Solar Module



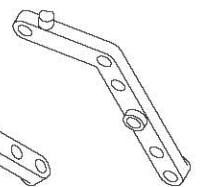
A19



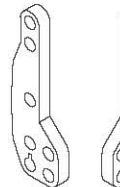
A18



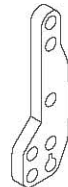
A15



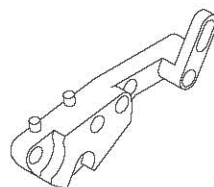
A16



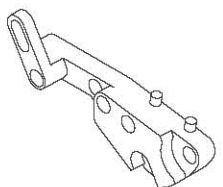
B7



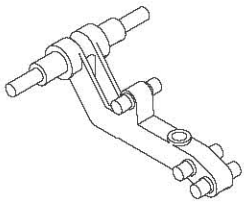
B8



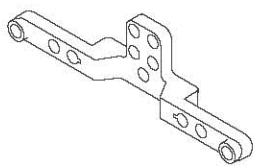
C8



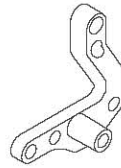
C4



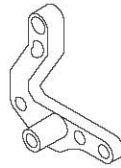
A17



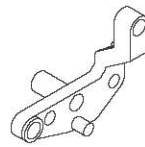
C6x2



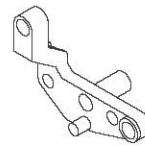
A10



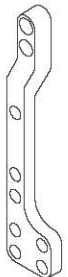
A11



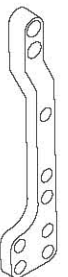
A9



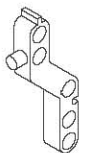
A12



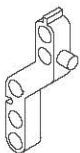
A3



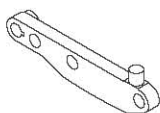
A7



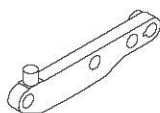
B11



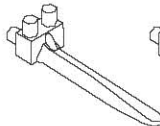
B9



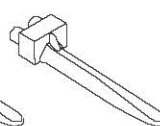
B6



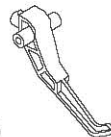
B5



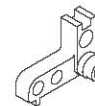
B33x2



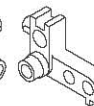
B20x2



C22



B34



B35



B14x3



B16



B22



C17



C21x2



C5x2



B1x2



B12



B13



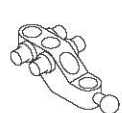
B23



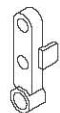
B24



B29



B32



A4x4



C7x5



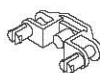
B36



B37



C3x2



D7



D8

1:1



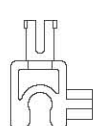
D1x34



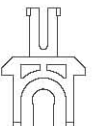
D2x12



D3

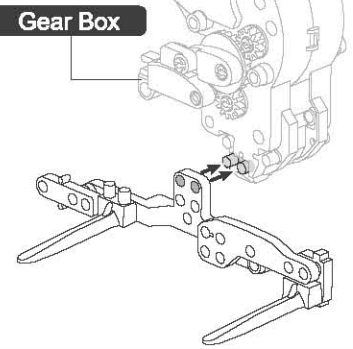
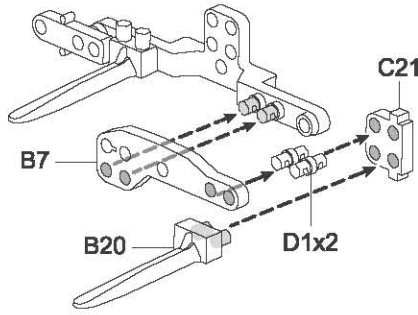
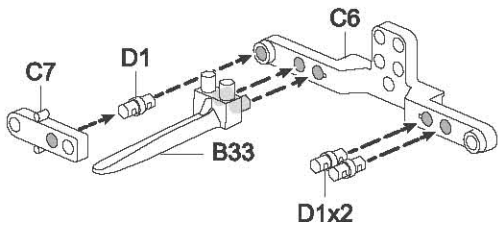


D5x3

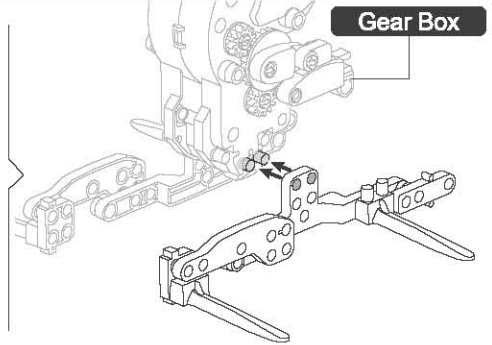
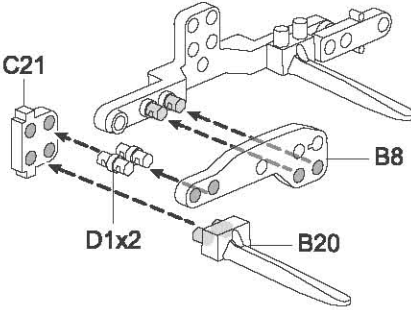
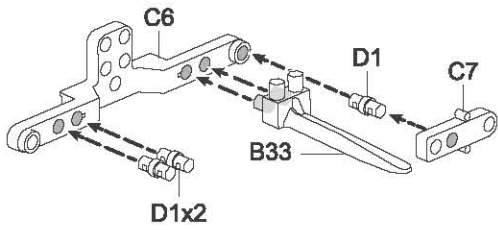


D6x2

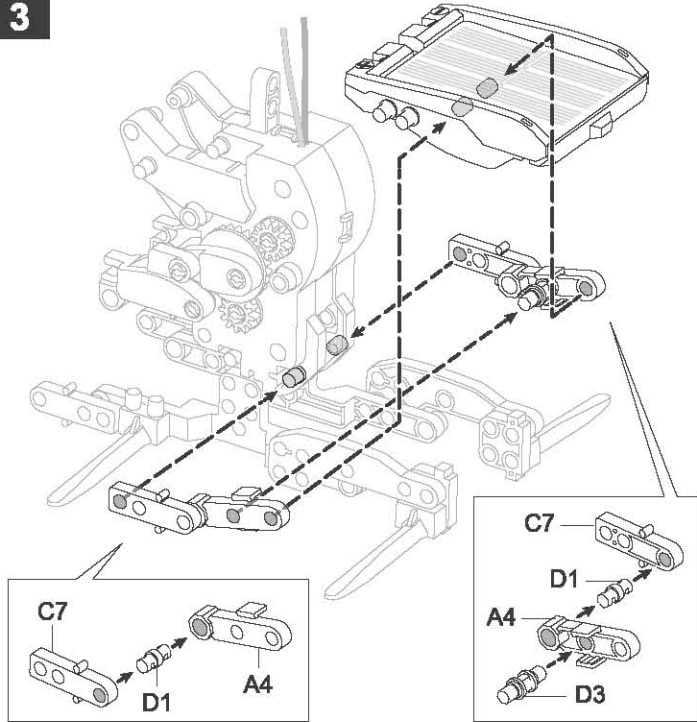
1



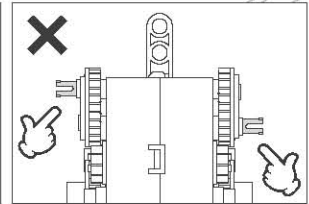
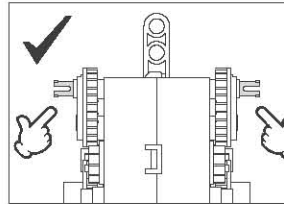
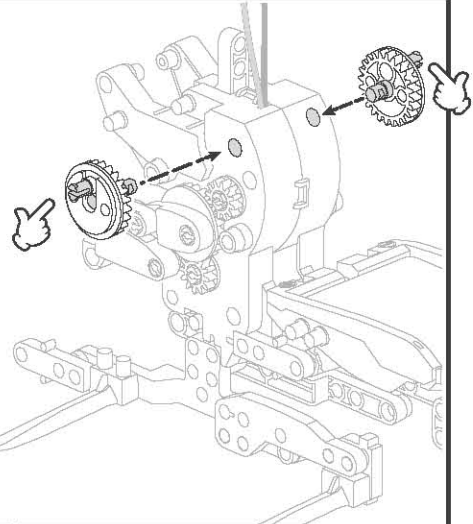
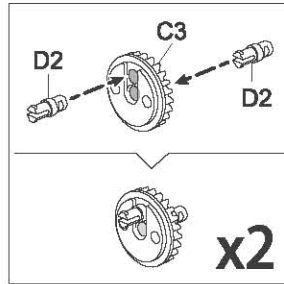
2



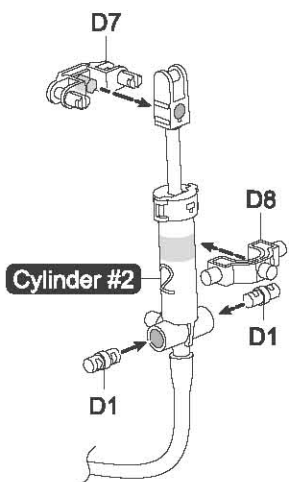
3



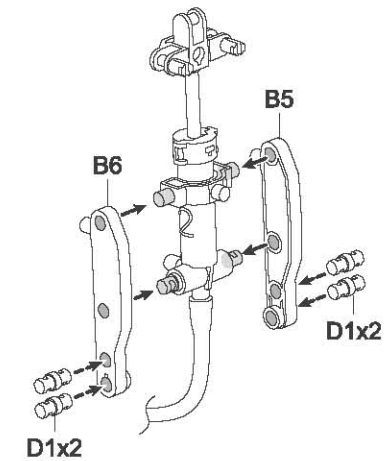
4



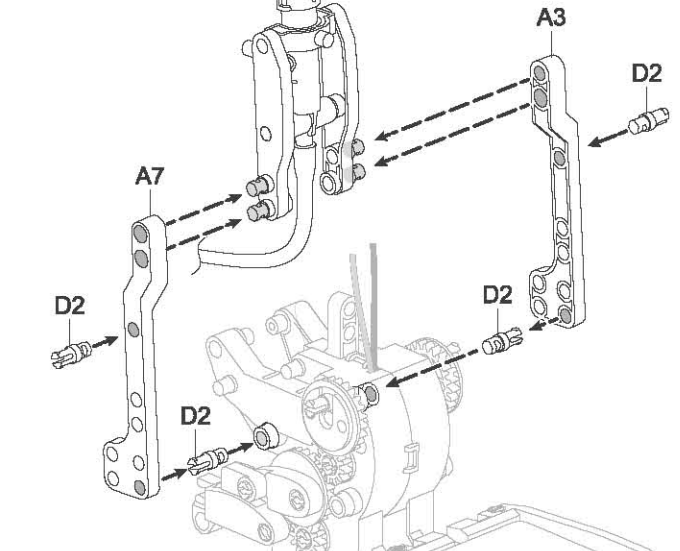
5



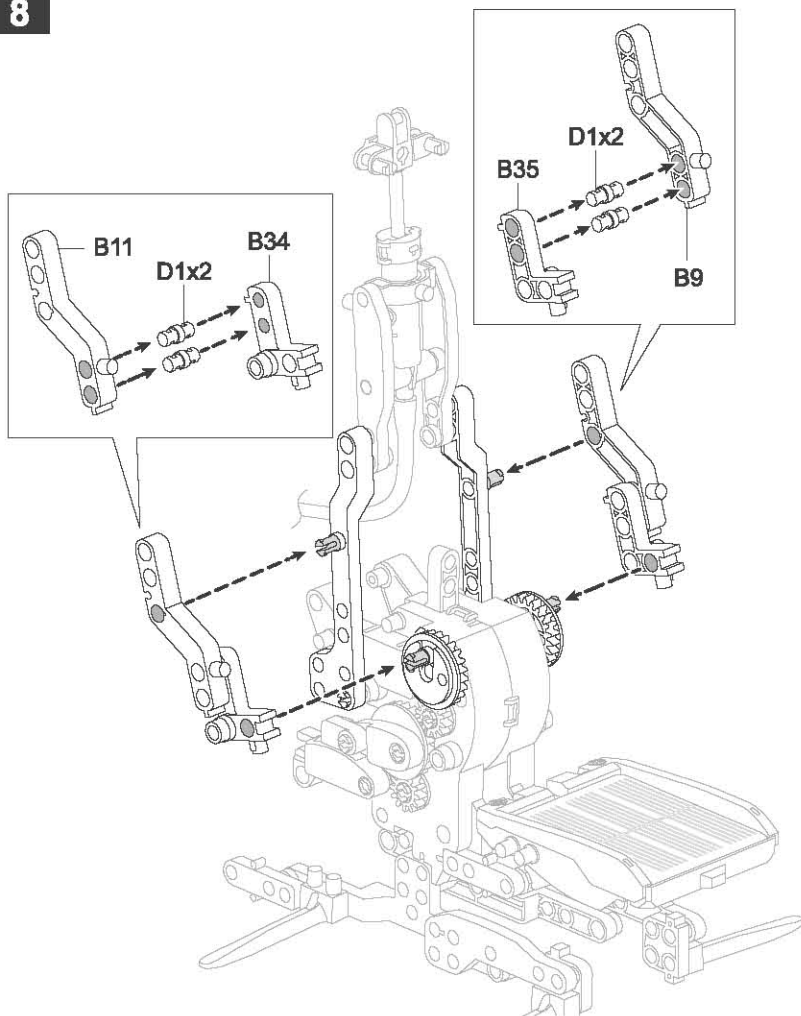
6



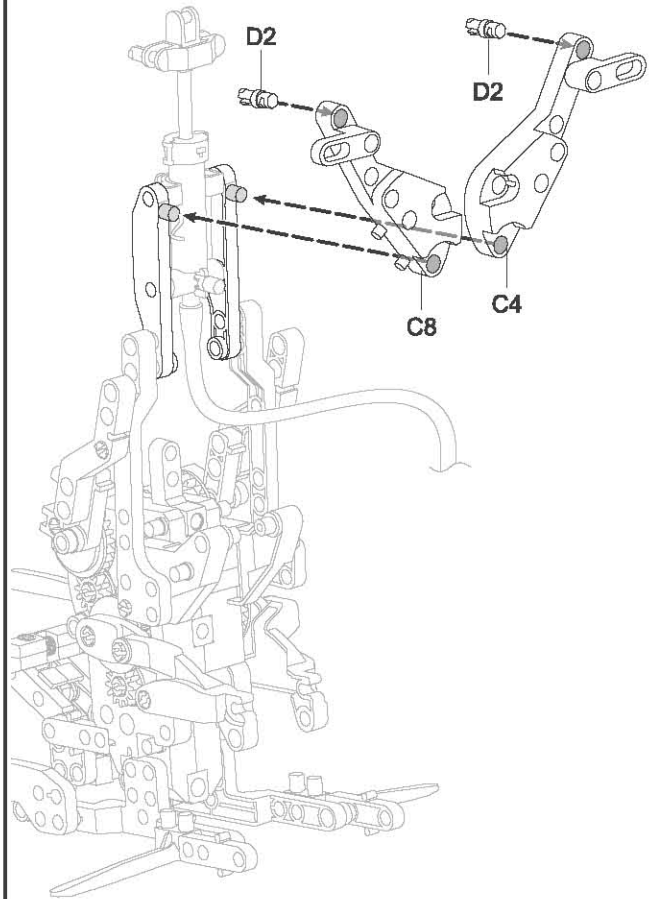
7



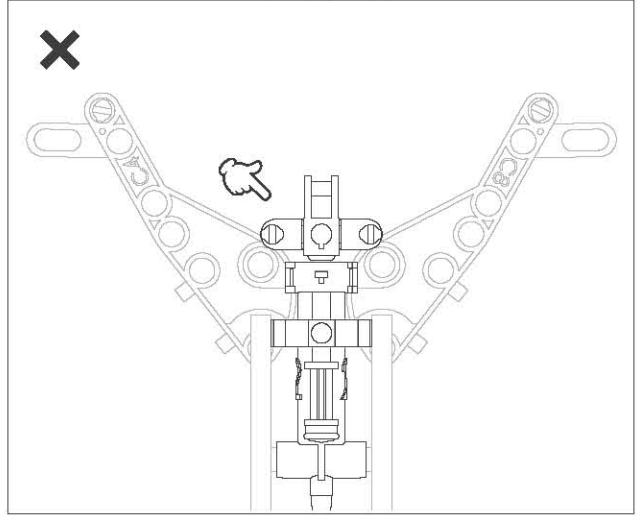
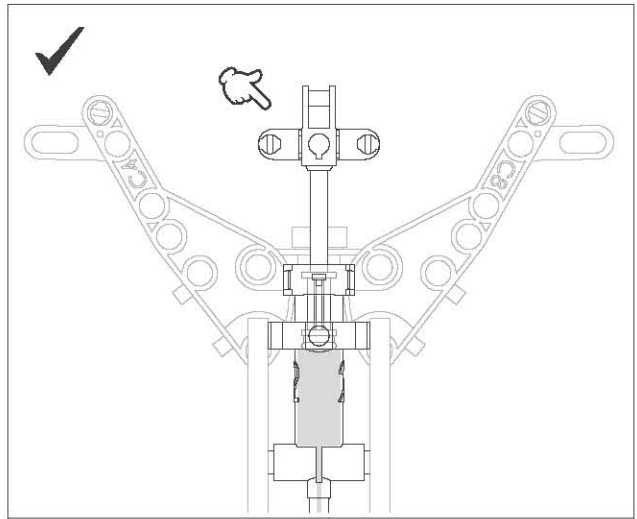
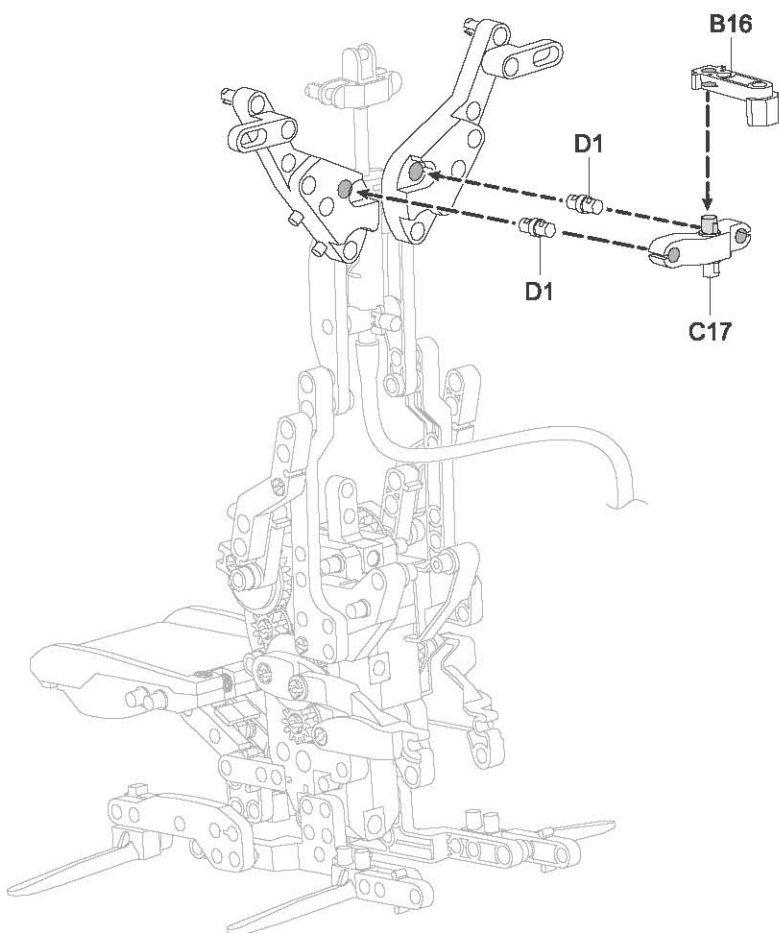
8

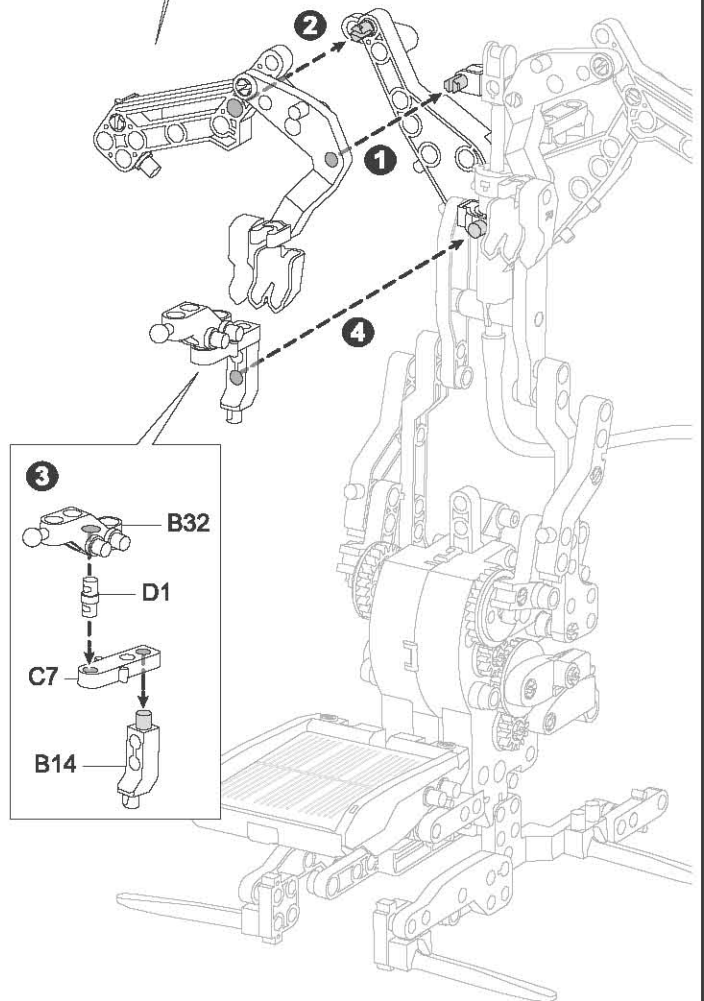
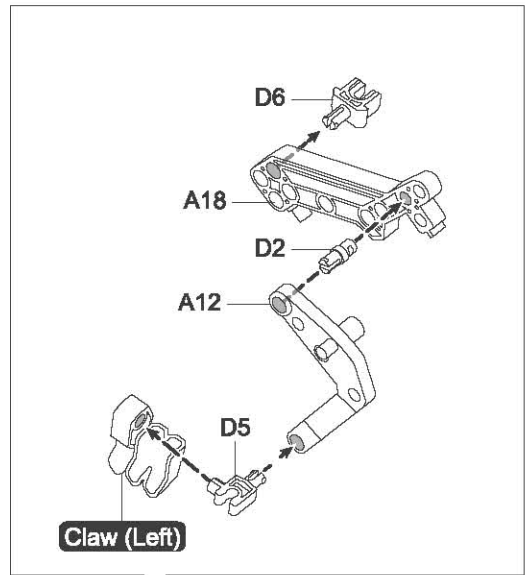
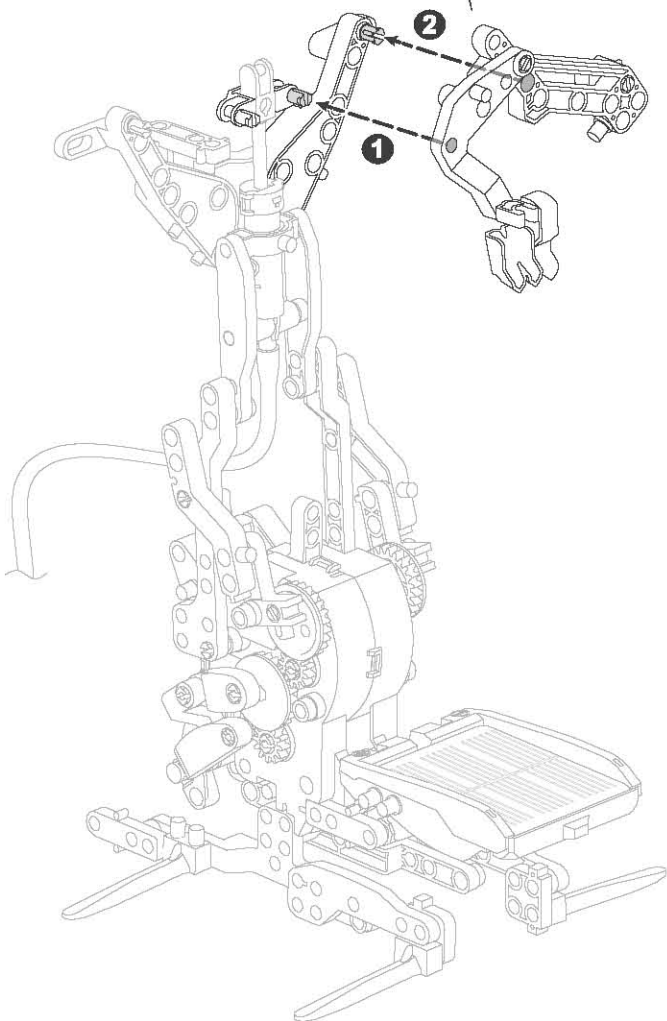
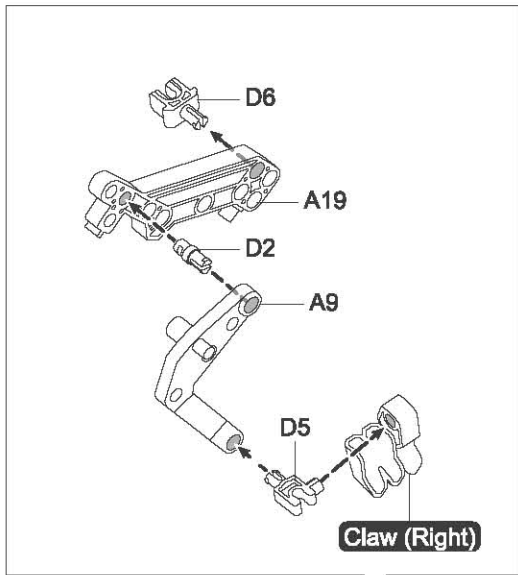


9

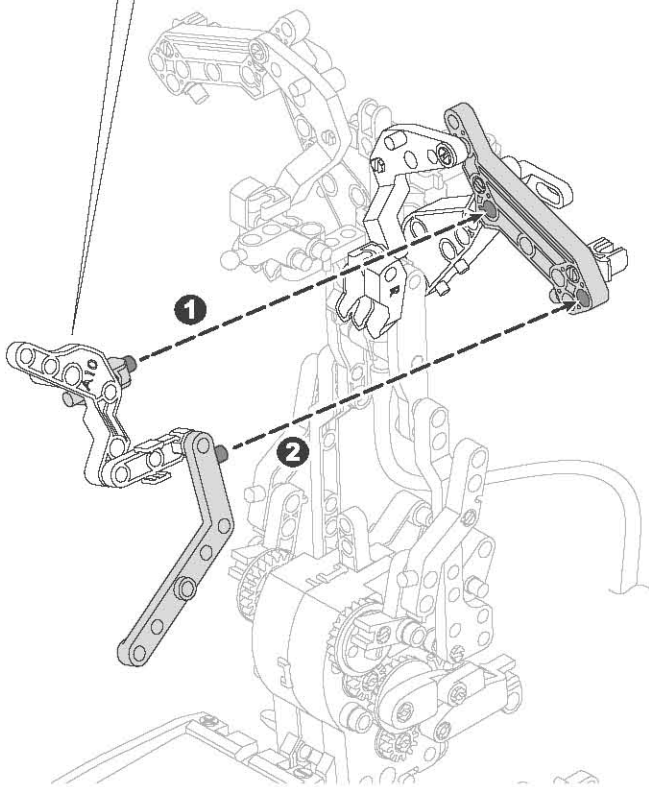
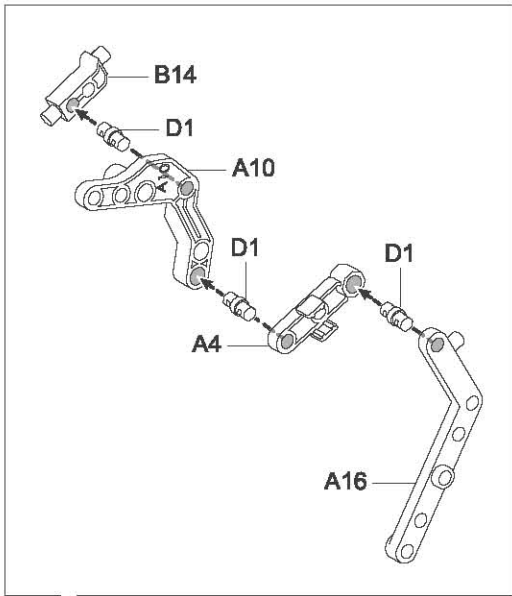


10

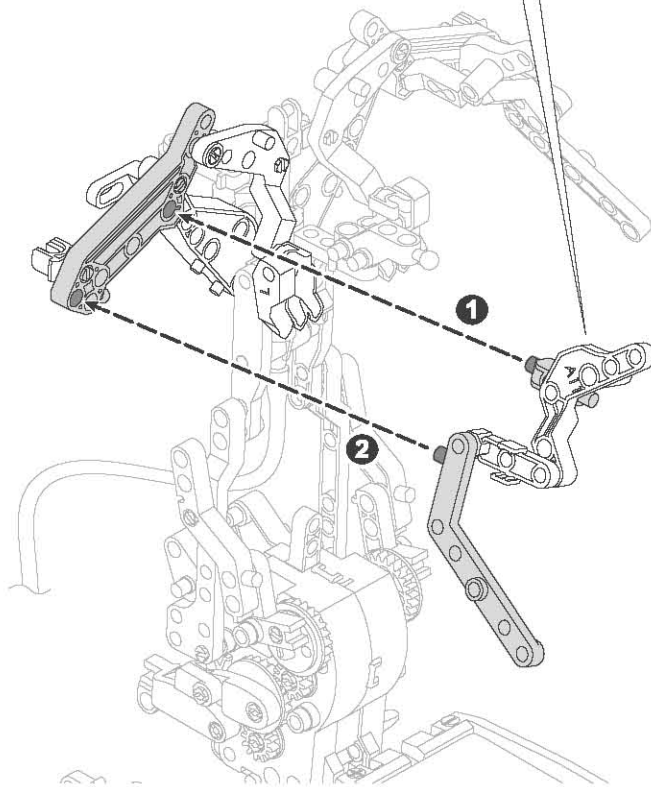
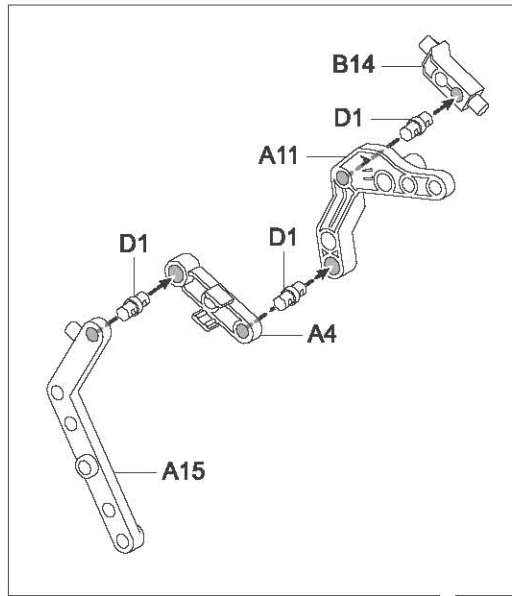




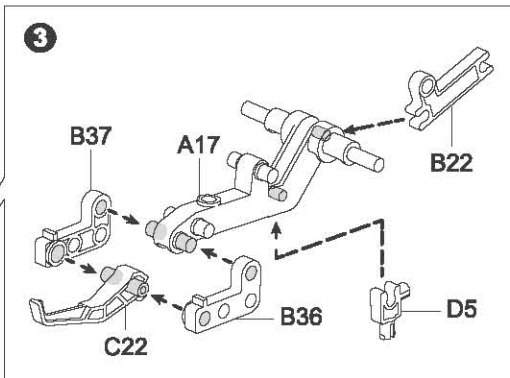
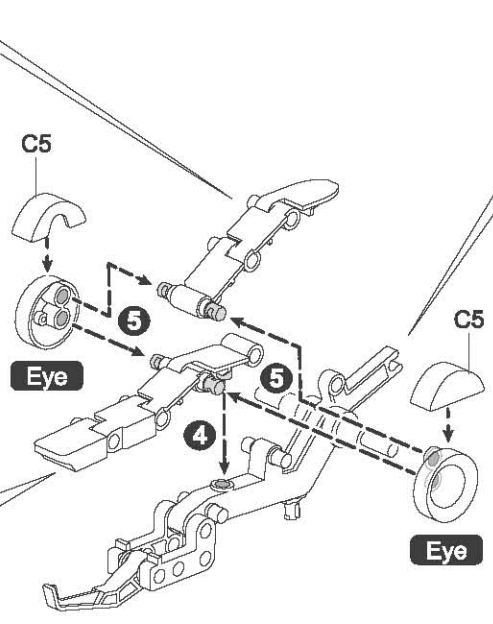
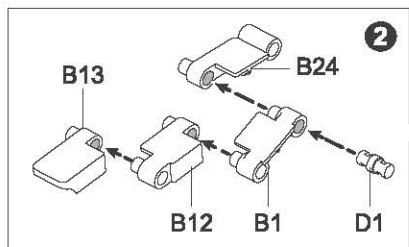
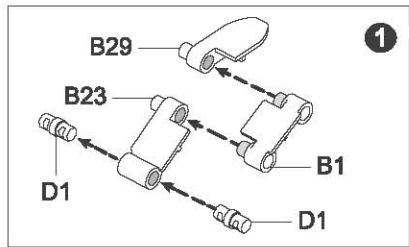
13



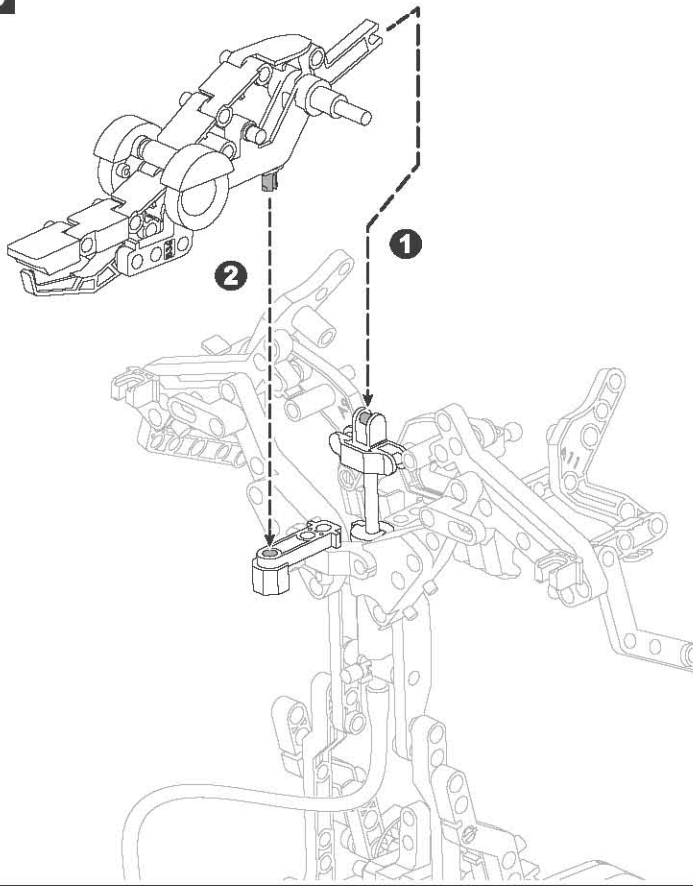
14



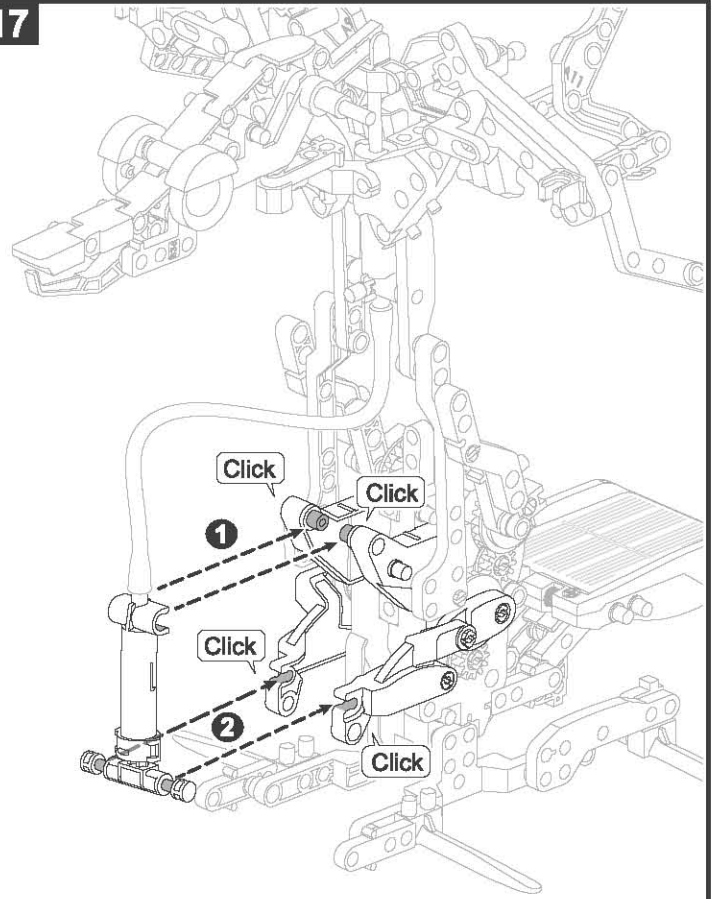
15



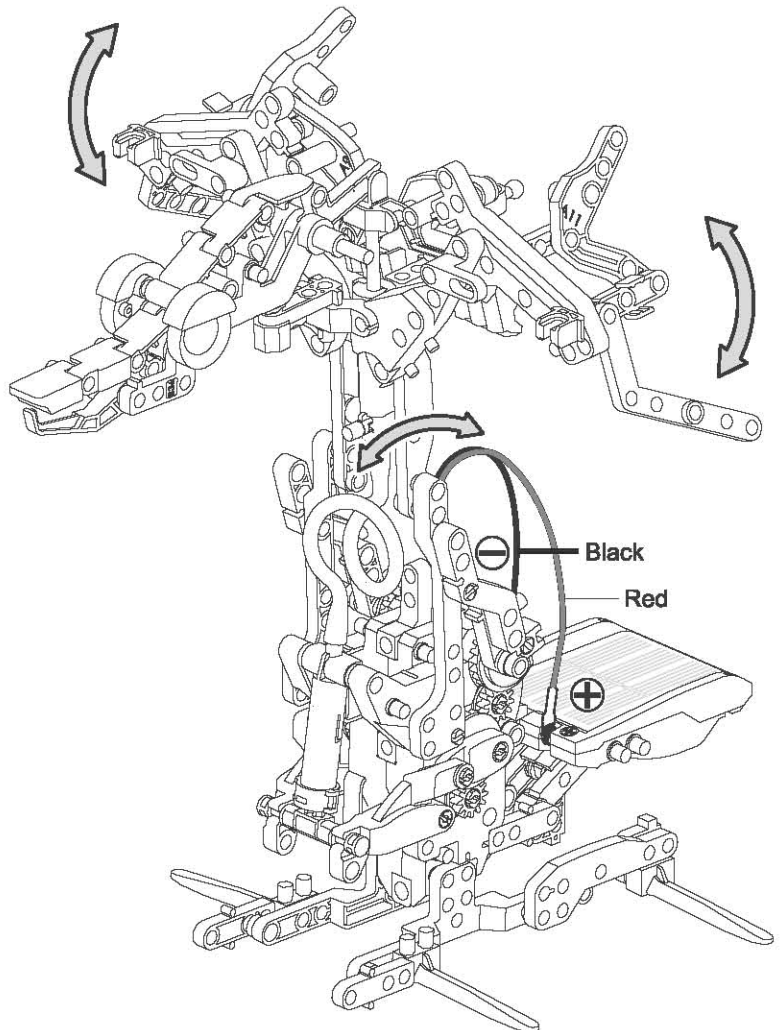
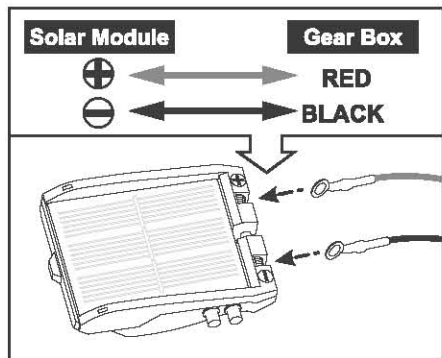
16



17



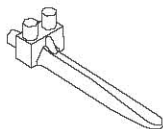
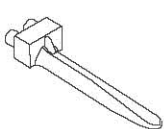
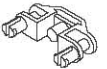
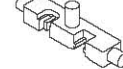
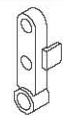
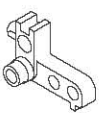
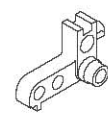
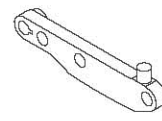
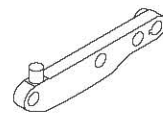
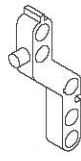
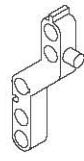
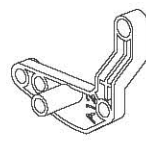
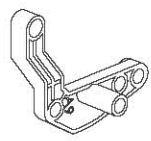
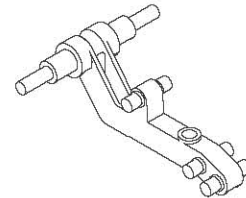
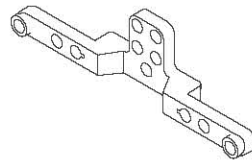
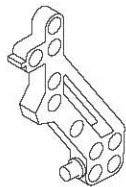
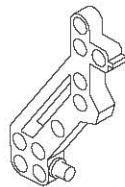
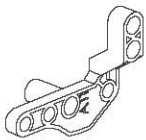
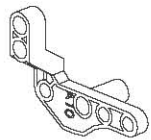
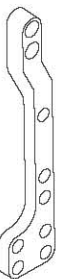
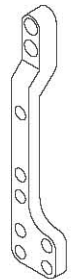
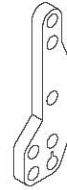
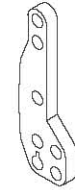
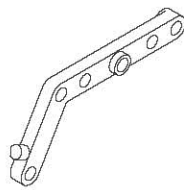
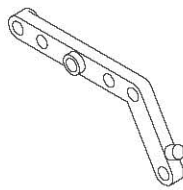
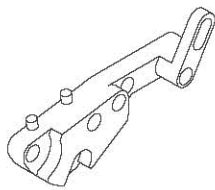
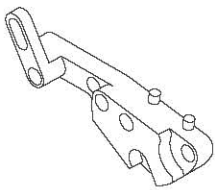
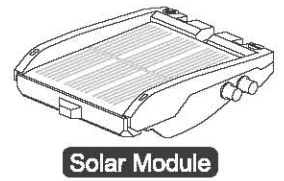
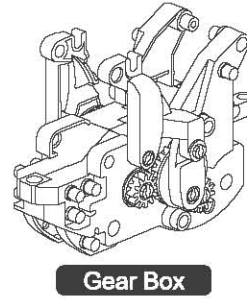
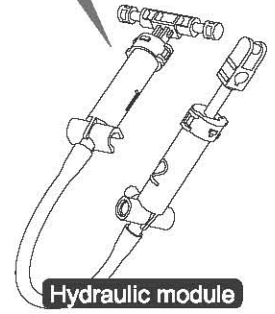
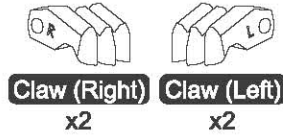
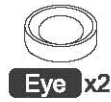
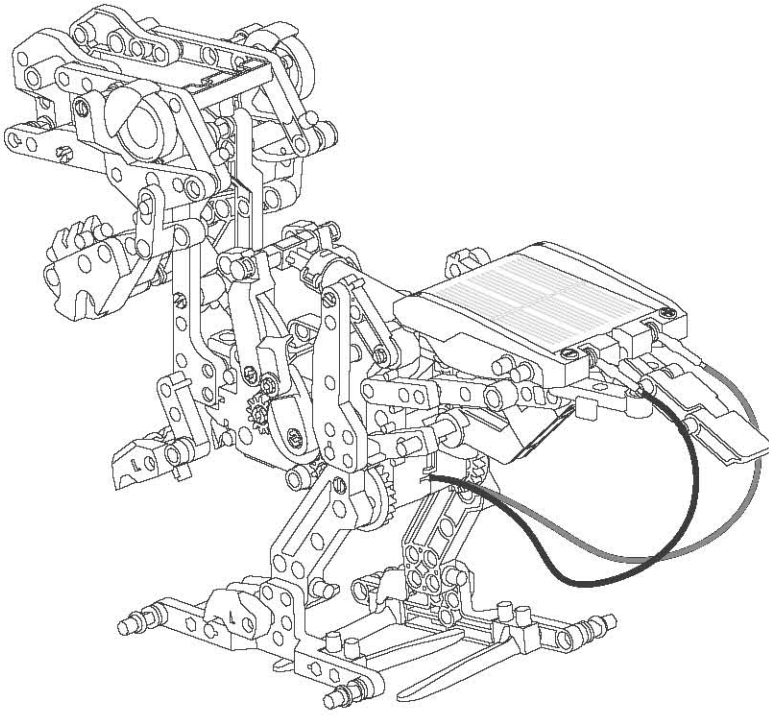
18



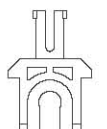
12. T-Rex Assembly

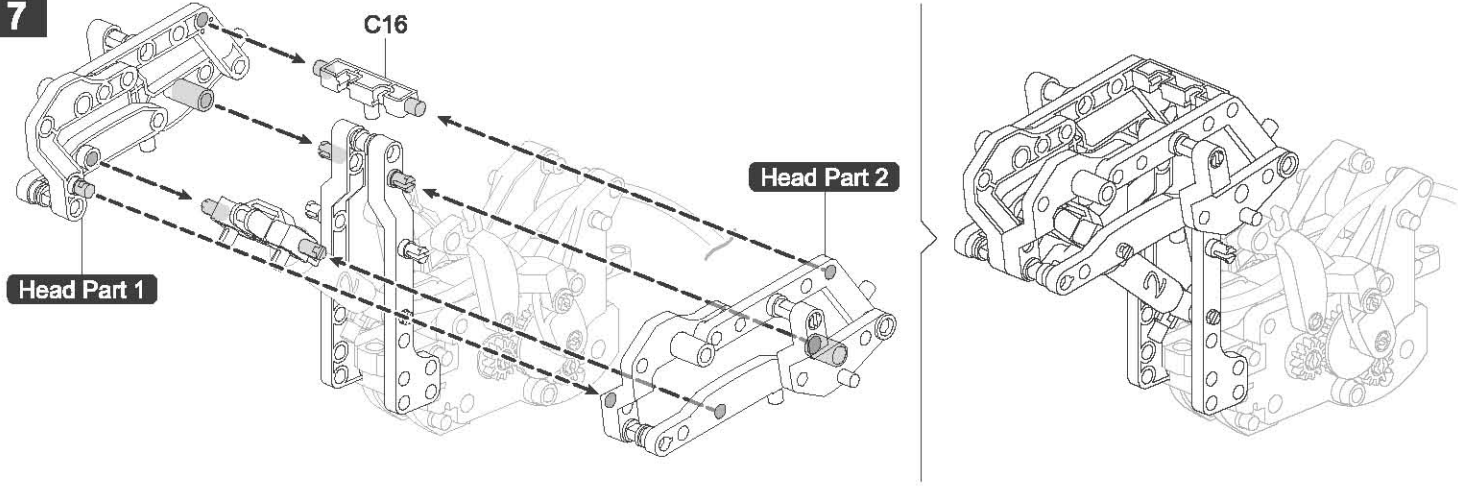
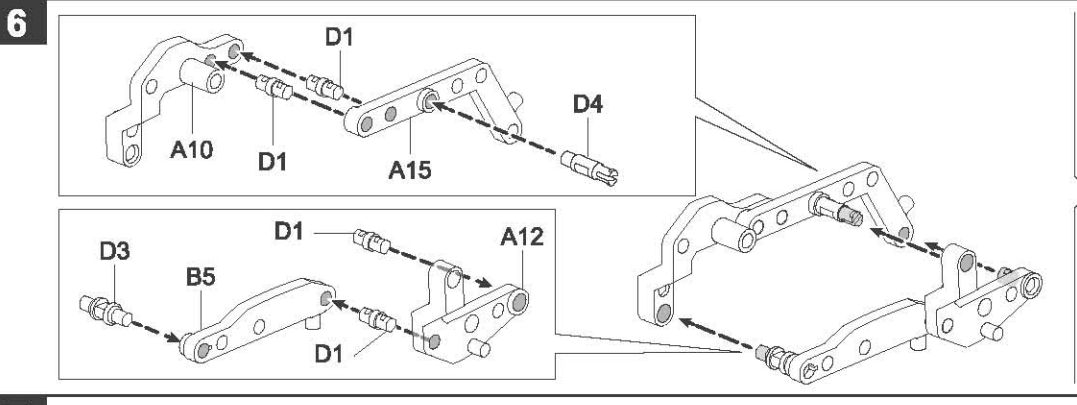
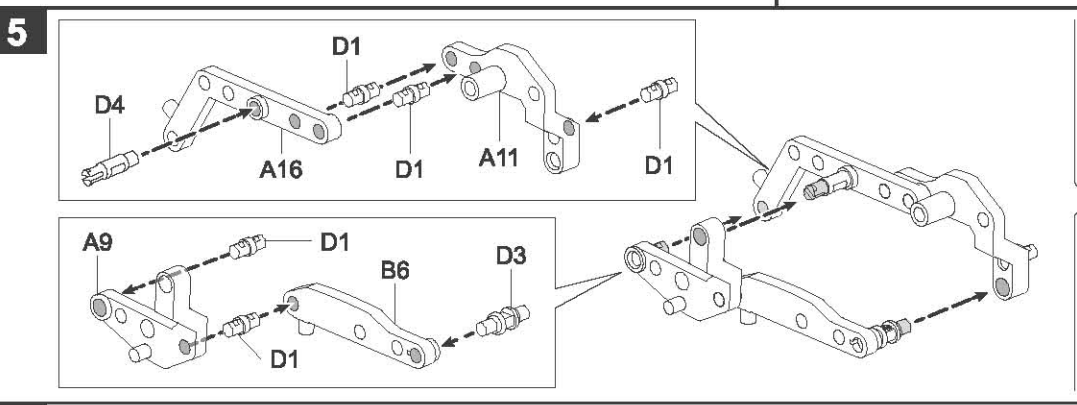
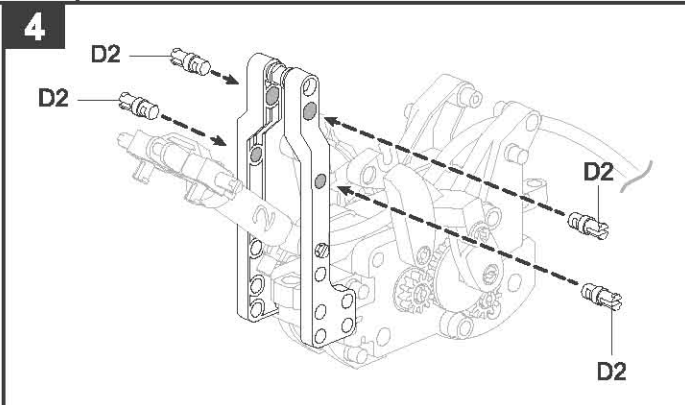
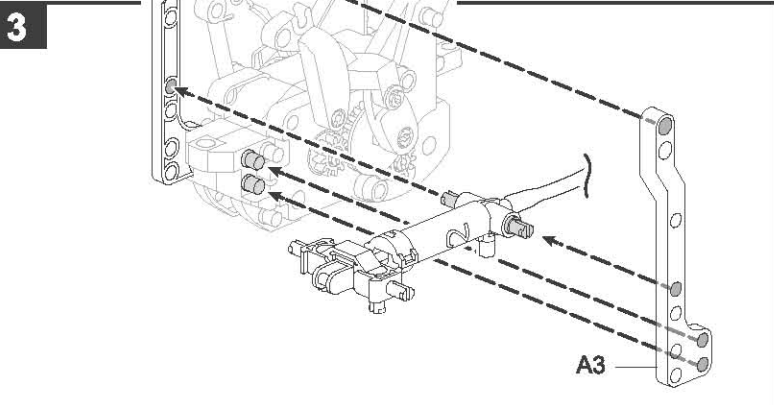
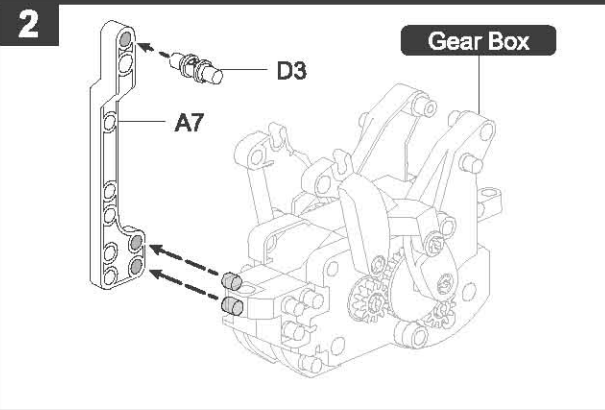
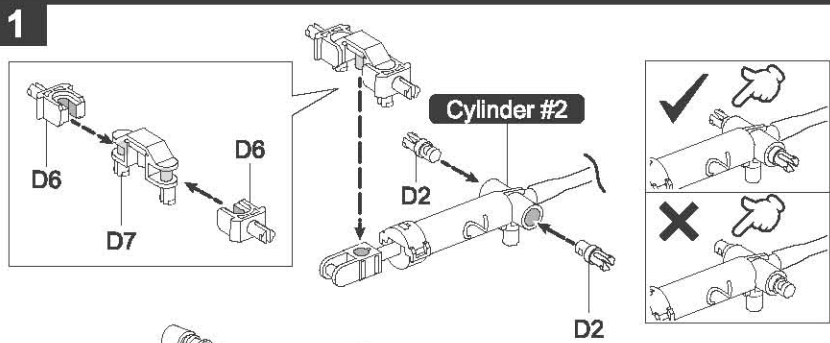


Before assembly check the air condition in the cylinder and add water if necessary

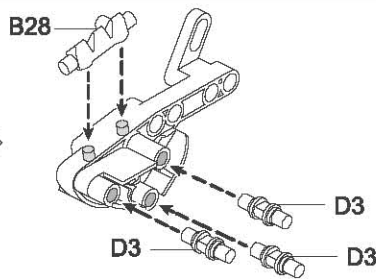
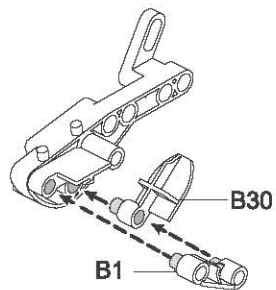
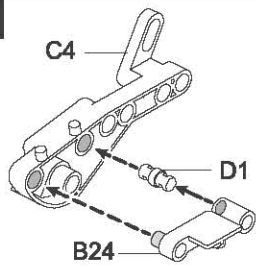


1:1

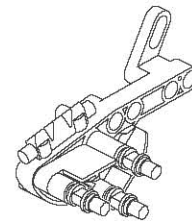




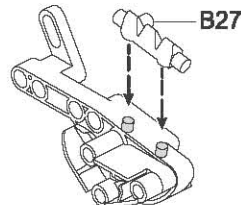
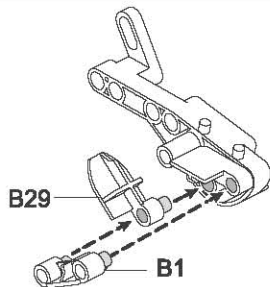
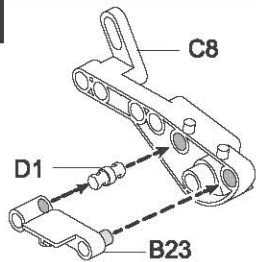
8



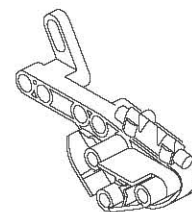
Head Part 3



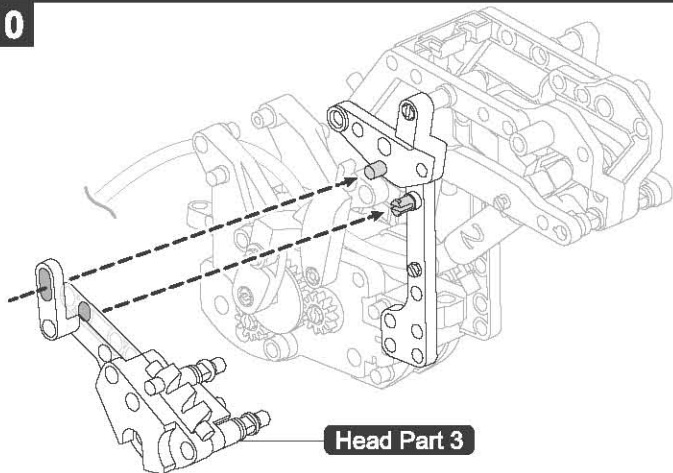
9



Head Part 4

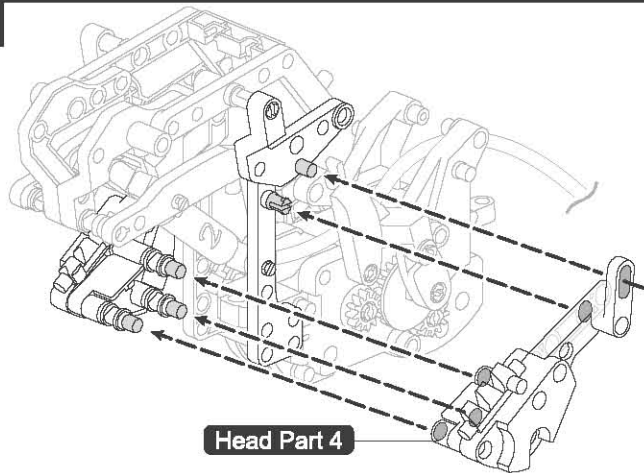


10



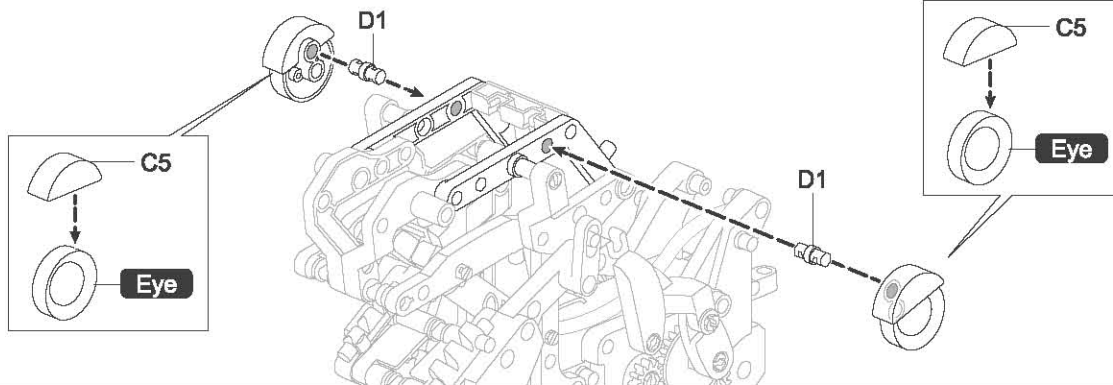
Head Part 3

11

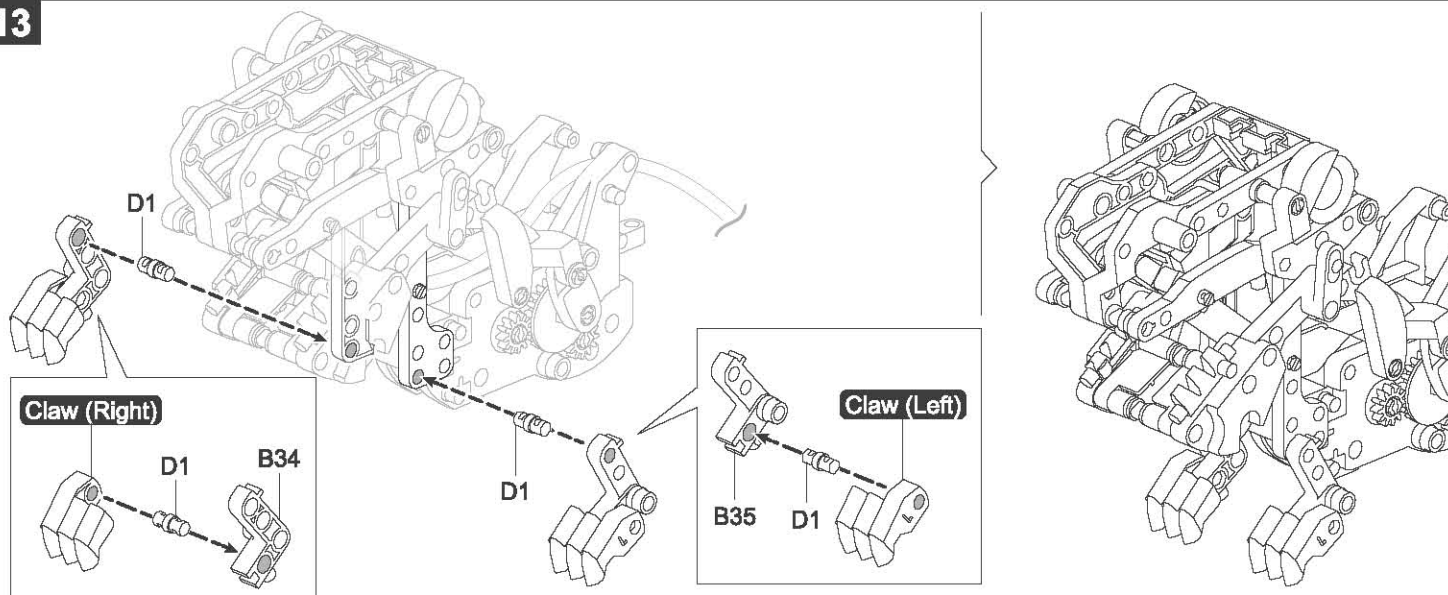


Head Part 4

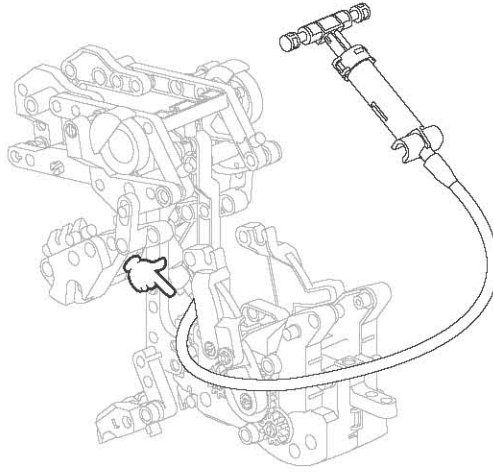
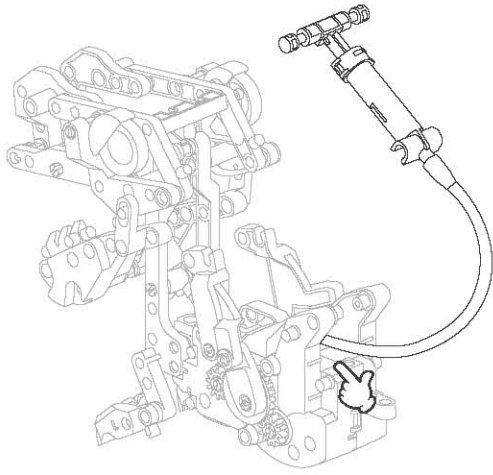
12



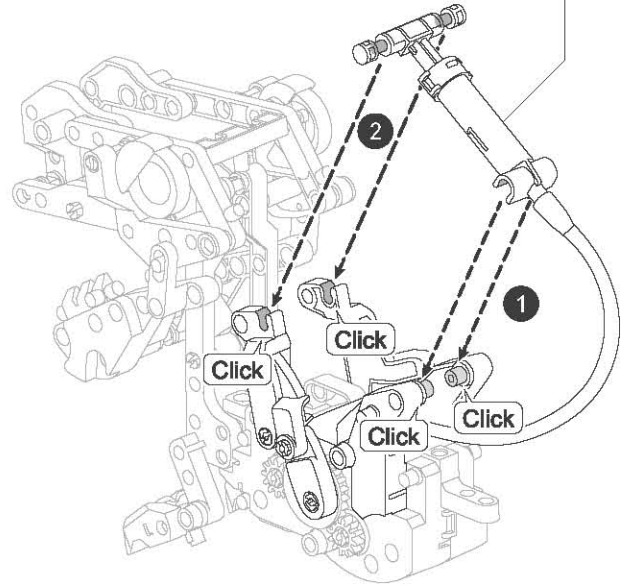
13



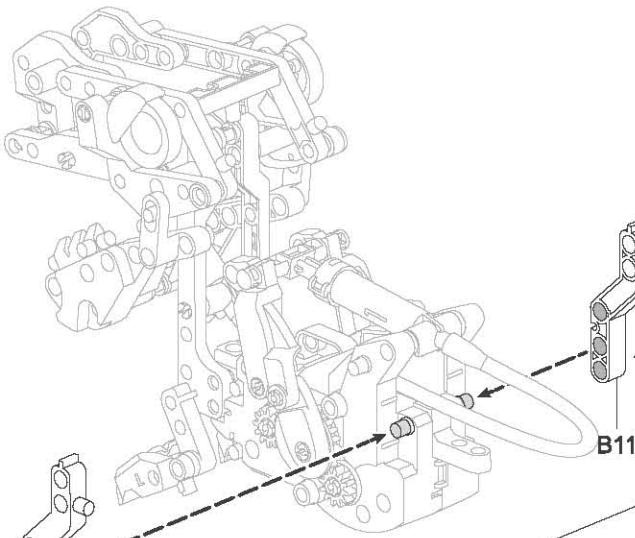
14



Cylinder #1



15



D1

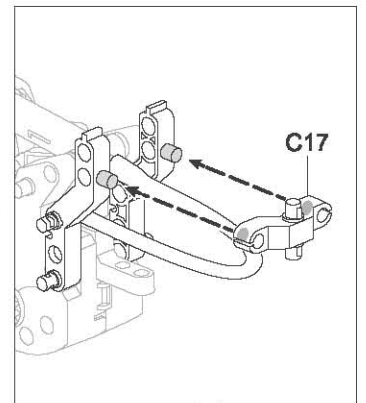
D1

B11

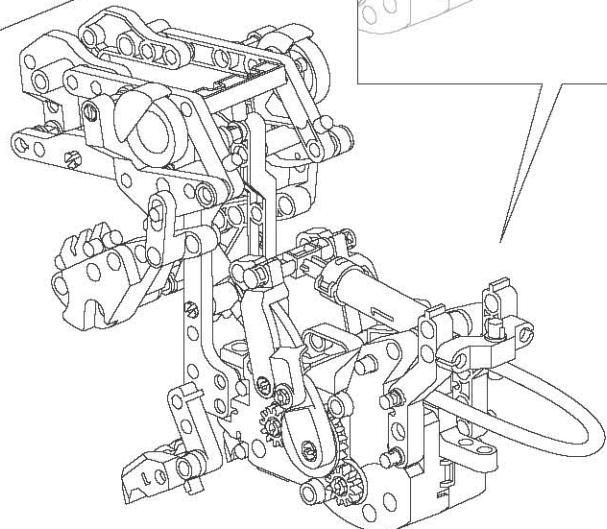
D1

B9

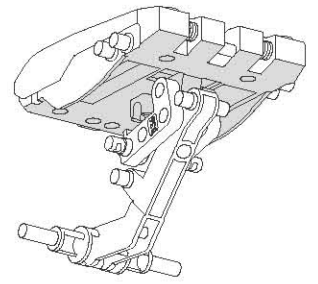
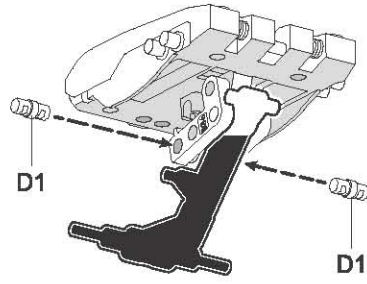
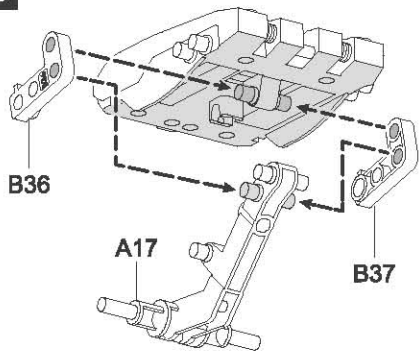
D1



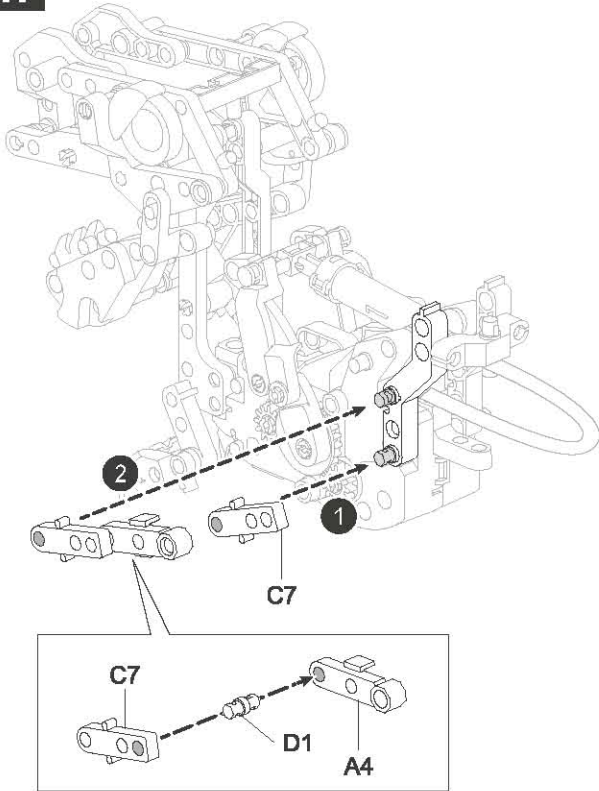
C17



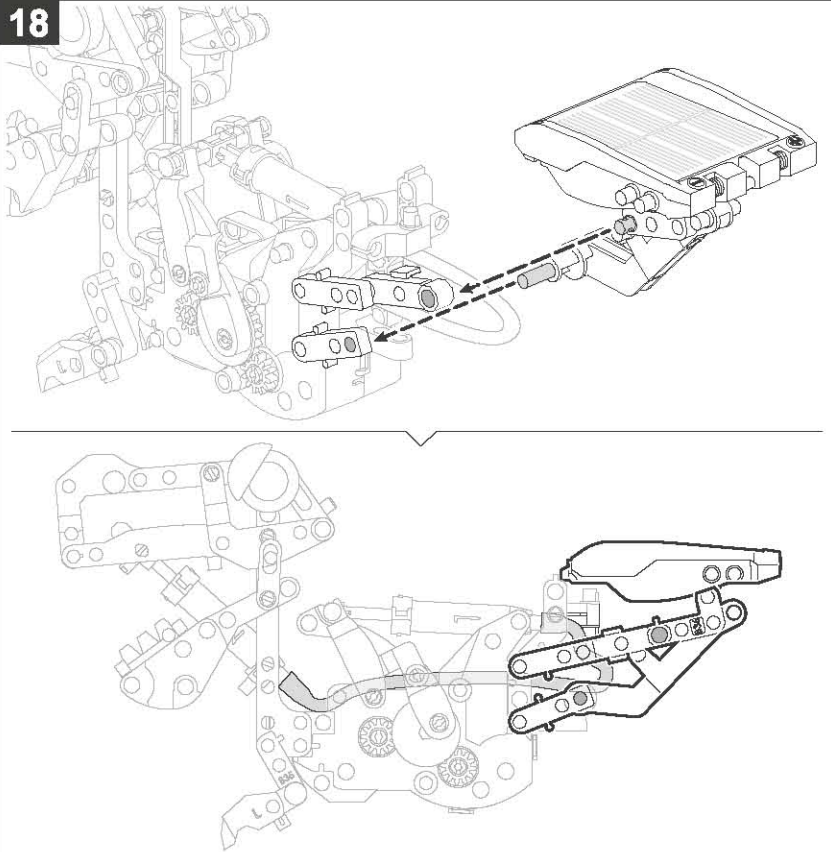
16



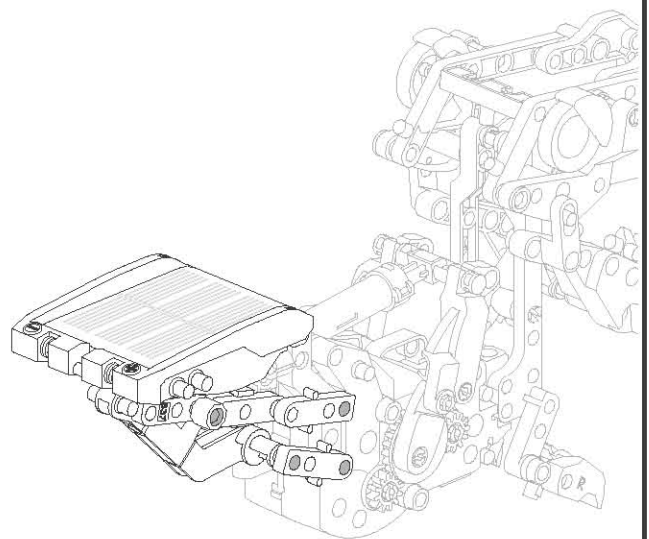
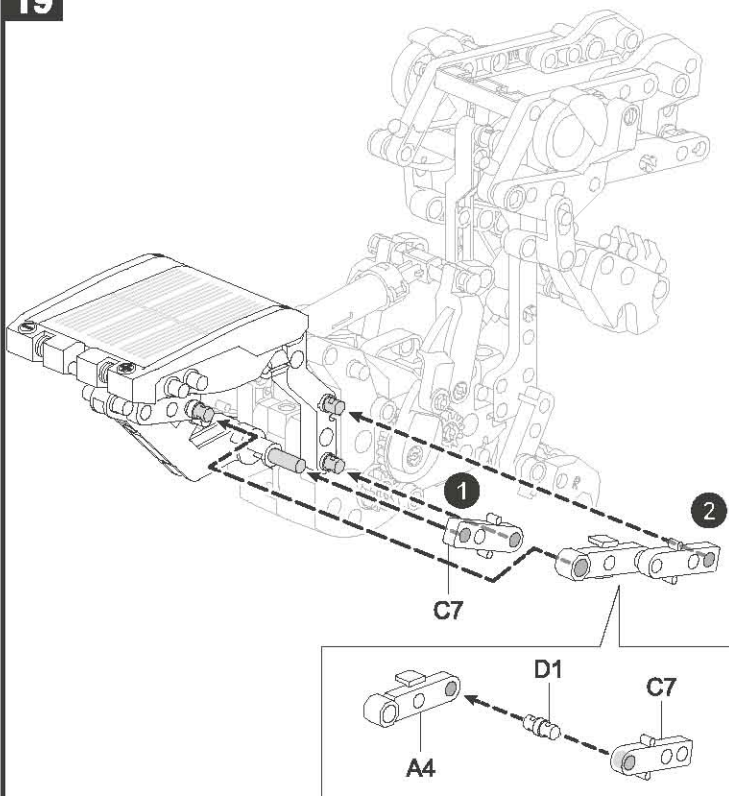
17



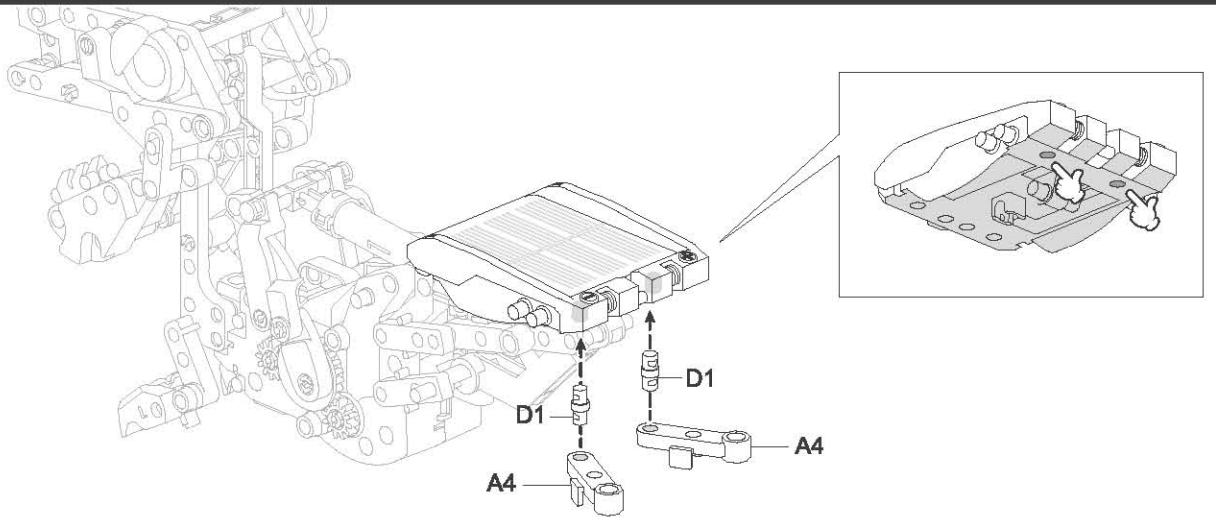
18



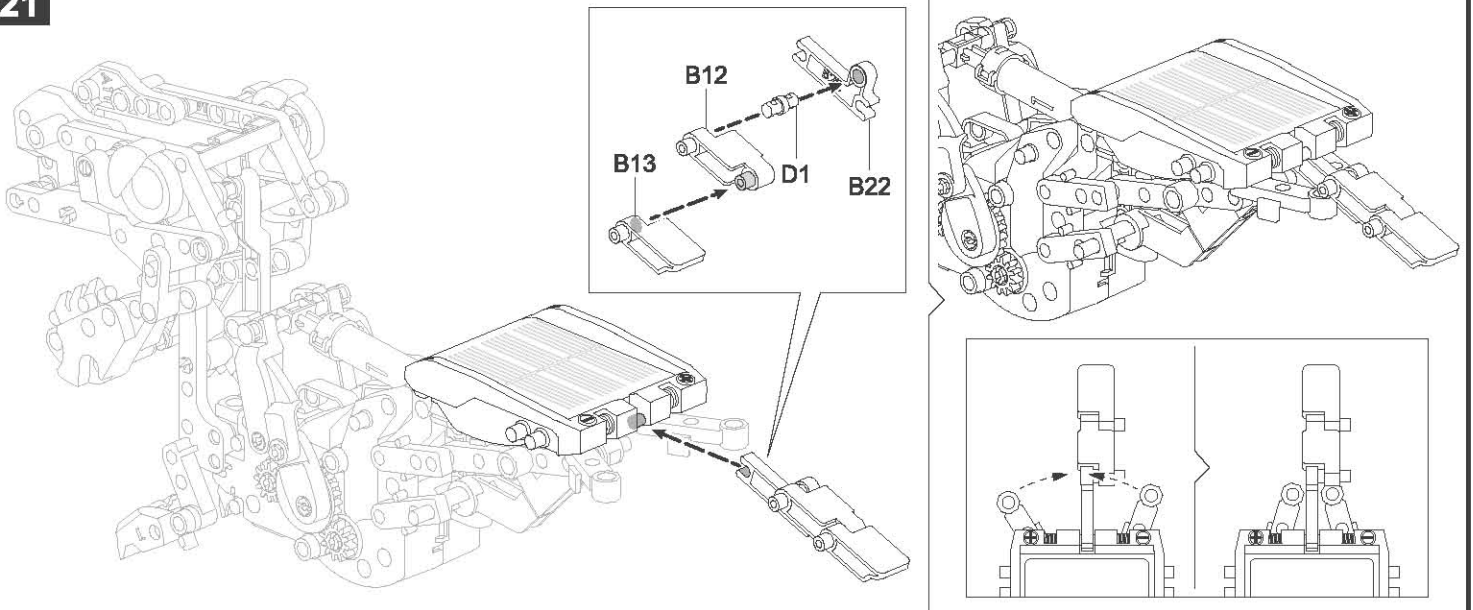
19



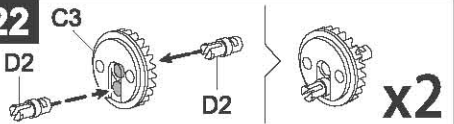
20



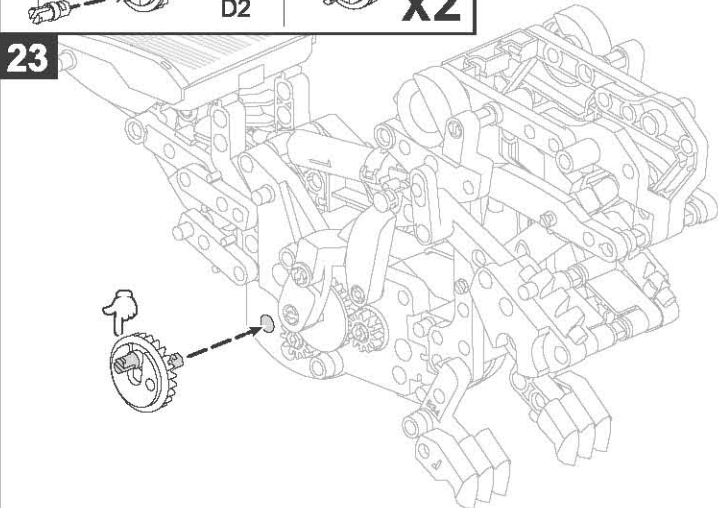
21



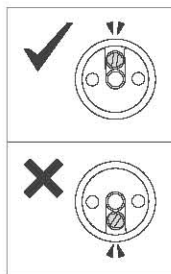
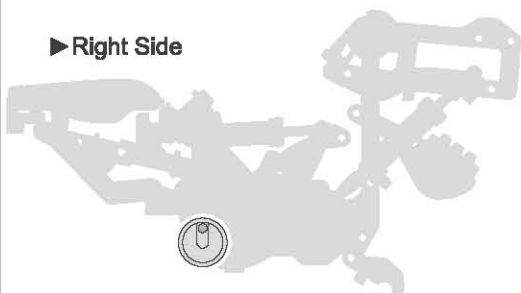
22



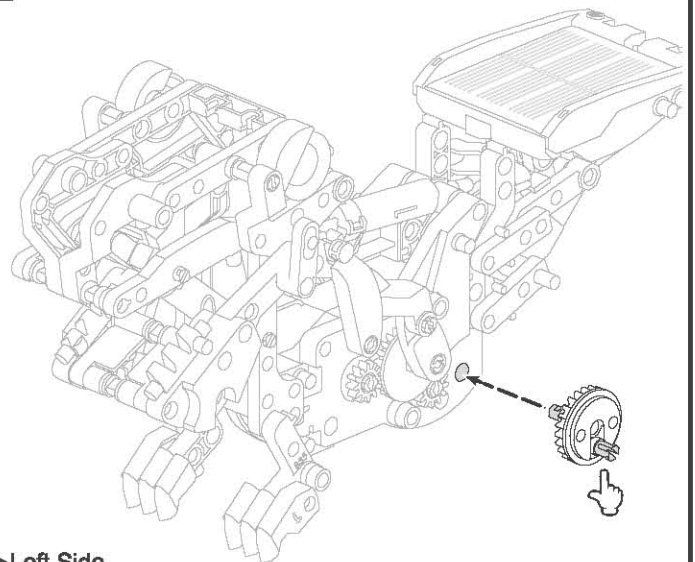
23



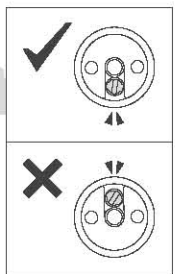
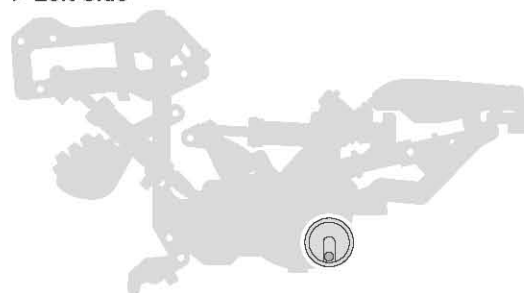
► Right Side

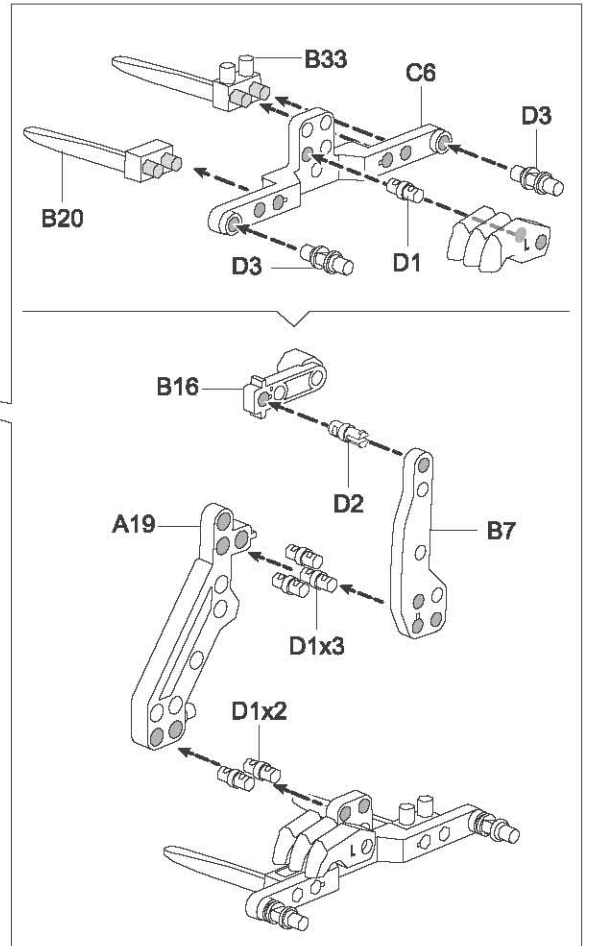
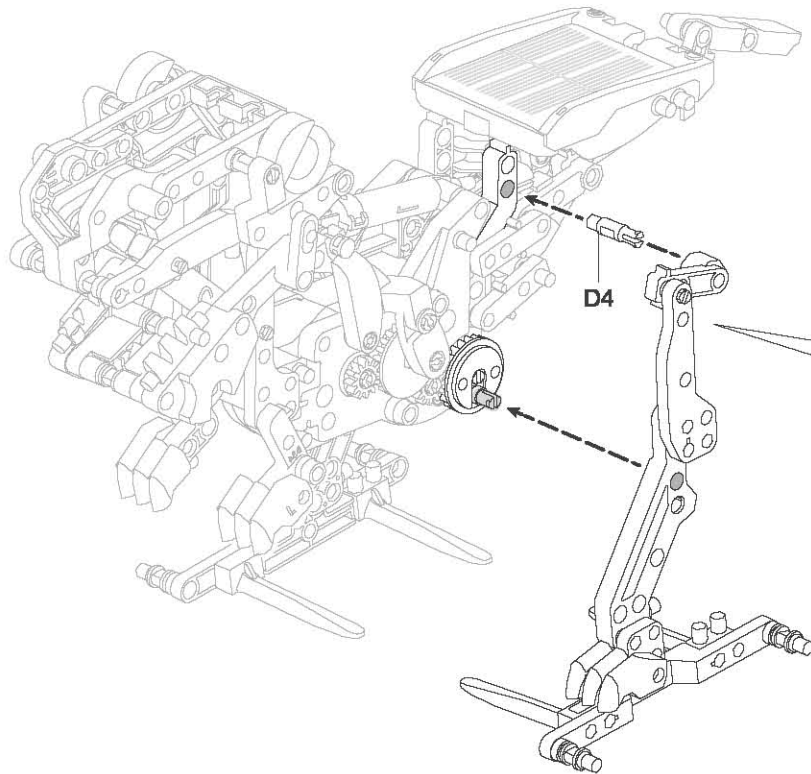
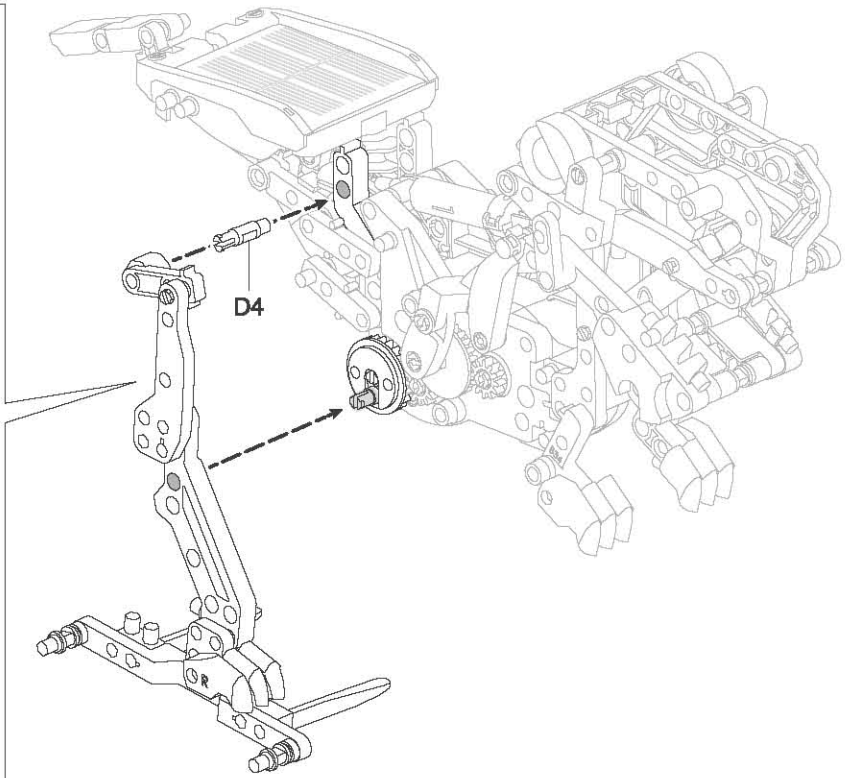
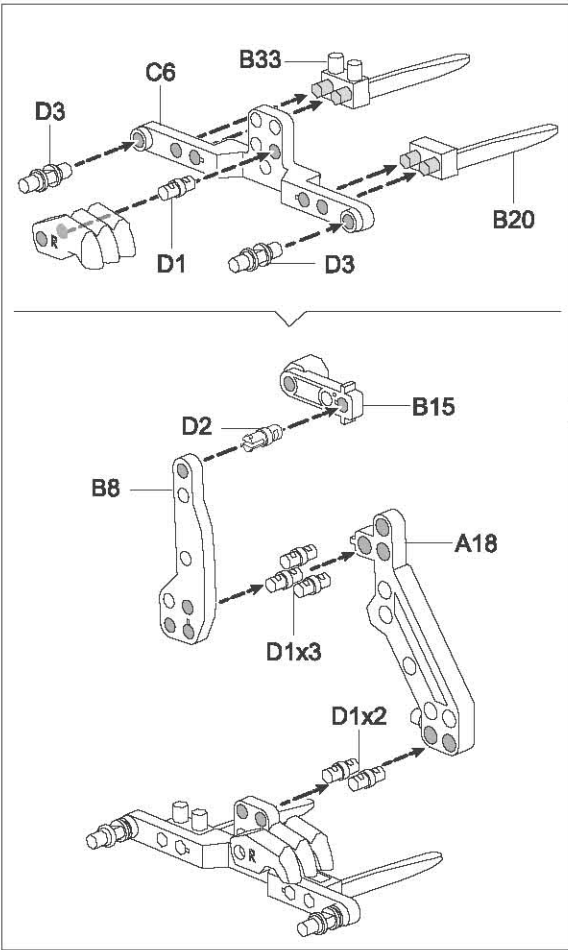


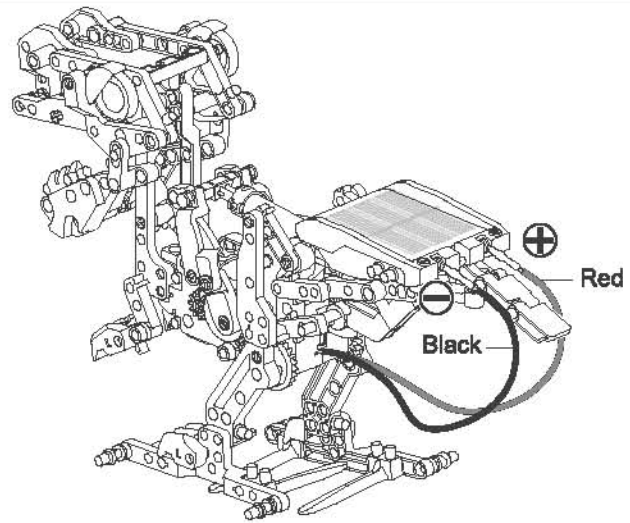
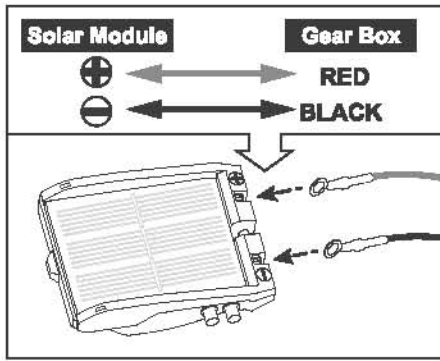
24



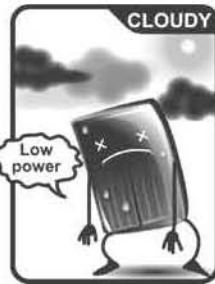
► Left Side





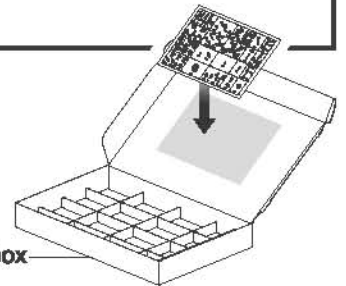


It's time to have some FUN !

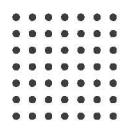
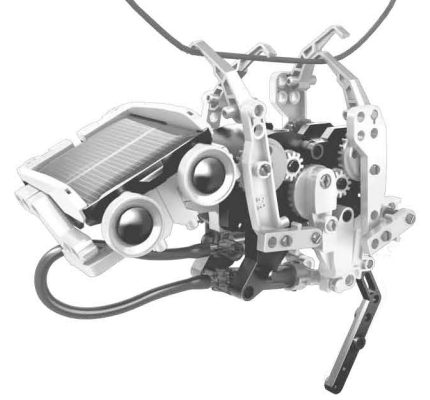


1. Take outside under direct sunlight. Best results are obtained when operated on a sunny day.

2. For indoor fun, use a 50 watt halogen light. The product will not run on a cloudy day, shaded locations, indirect sunlight, or under a Fluorescent light.

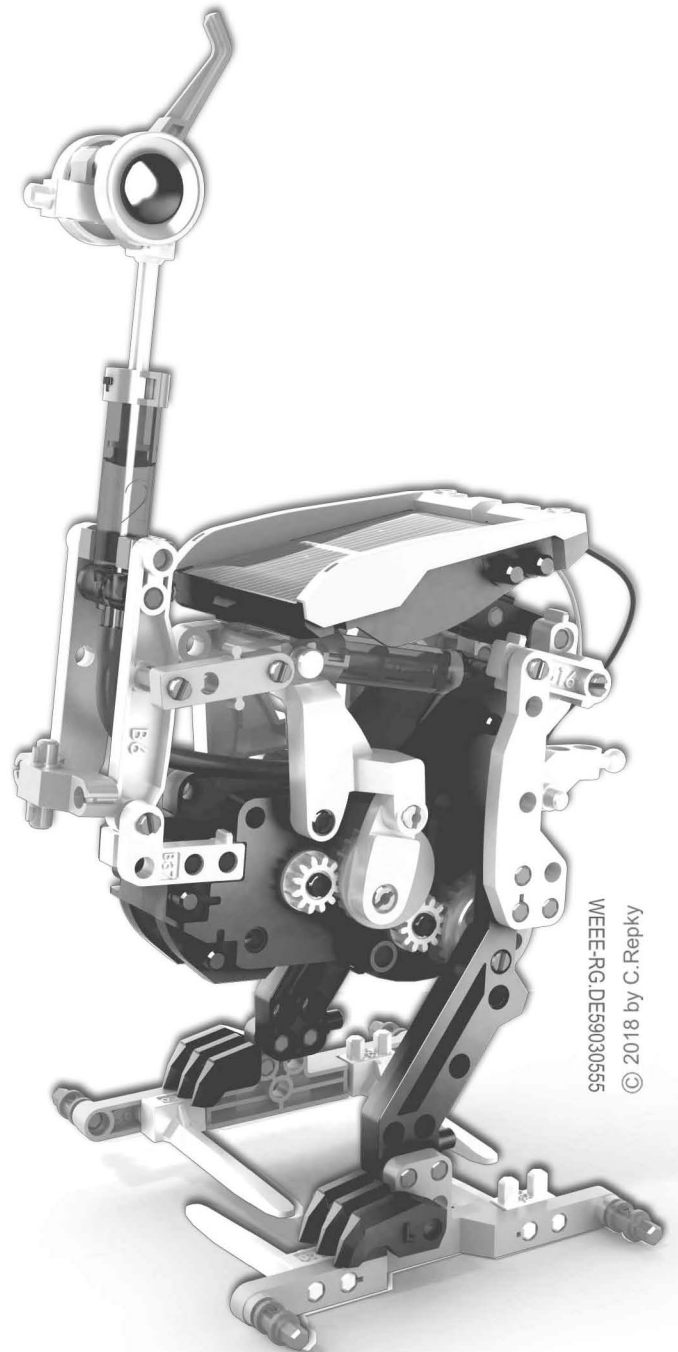
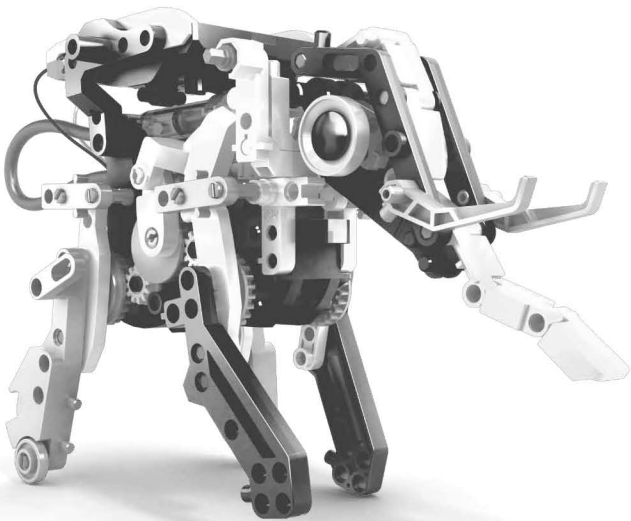


<p>B5 B6 B7 B8 Eye x2</p>	<p>C5 x2 C6 x2 B14 x4</p>	<p>B22 A17 D9 A3 A7</p>	<p>D7 D4 x6 C17 C2 x4 B32</p>
<p>Claw (R) x2 Claw (L) x2 B35 B34 B36 B37</p>	<p>B20 x2 B33 x2 A15 A18</p>	<p>D2 x22</p>	<p>C22 x4 A4 x4 B18 B15</p>
<p>A10 A11 B27 A9 A12 B28</p>	<p>D1 x44 C16</p>	<p>C4 C6 A18 A19</p>	<p>D6 x2 C21 x2 C8 x2</p>
<p>B1 x2 B12 B13 B23 B24 B29 B30</p>	<p>C19 x4</p>	<p>C20 x2 C7 x6 B11 B9</p>	<p>D5 x4 D8 C3 x4</p>



12
in 1

**SOLAR &
HYDRAULIC**
CONSTRUCTION KIT



© 2018 by C.Repky
WEEE-RG-DES9030555

SOL-EXPERT group, Christian Repky
Mehlisstrasse 19 | D-88255 Baidt | Germany
info@sol-expert-group.de
www.sol-expert-group.de