

# SINEAX VS54

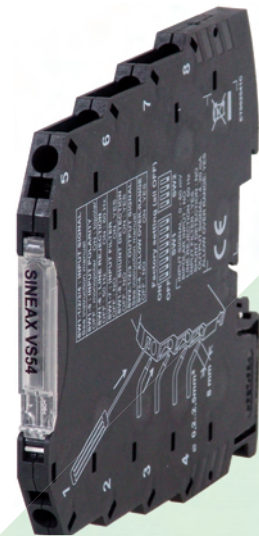
## Isolating Amplifier

### Shunt / V-I isolated converter



#### Features / Benefits

- Input:  $\pm 25$  mV up to  $\pm 2000$  mV
- Output: current 0/4 ... 20, 20 ... 4/0 mA or voltage 0 ... 5/10, 10 ... 0 and 1 ... 5 V DC
- Max. consumption 22 mA
- 3-way galvanic isolation
- Resolution of 14 bit
- Accuracy class 0.1%
- Small dimensions (6.2 x 93.1 x 102.5 mm)



#### General Data

Power supply	19.2 ... 30 V DC
Thermal drift	120 ppm/K
Status indicators (LED)	Fault, alarm
Isolation	1.5 kV AC (50 Hz, 1 min.), digital technique
Hot swapping	Yes
Max. current consumption	22 mA at 24 V DC
Consumption without load	7.5 mA (at 25 °C)
Max. power consumption	500 mW
A/D conversion	14 bit
Frequency filter	50 ... 60 Hz (programmable)
Settings	Via DIP switch
Filter	Insertable
Dimensions	6,2 x 93,1 x 102,5 mm (w x h x d)
Processing	Floating point 32 bit
Housing	Terminal housing for mounting on 35 mm DIN 46277
Operating temperature	- 20 ... + 65 °C
Power on side terminals	Yes
Bridge voltage supply	Bus connectors (CB-Power-Bus) can be snapped onto 35 mm DIN guide rail, (according to EN 60175)

IP Protection	IP 20
Conformity	CE

#### Input Data

Type	Shunt Range: $\pm 25, 50, 60, 75, 80, 100, 120, 150, 200, 250, 300, 400, 500, 1000, 2000$ mV (settable via DIP-switch)
Max. voltage	$\pm 50$ V

#### Output Data

Voltage:	Range: 0 ... 10 / 10 ... 0 / 0 ... 5 / 1 ... 5 V Min. load resistance: 2 k $\Omega$
Current	Range: 4 ... 20 / 20 ... 4 / 0 ... 20 / 20 ... 0 mA Max. load resistance: 500 $\Omega$ Protection: 25 mA

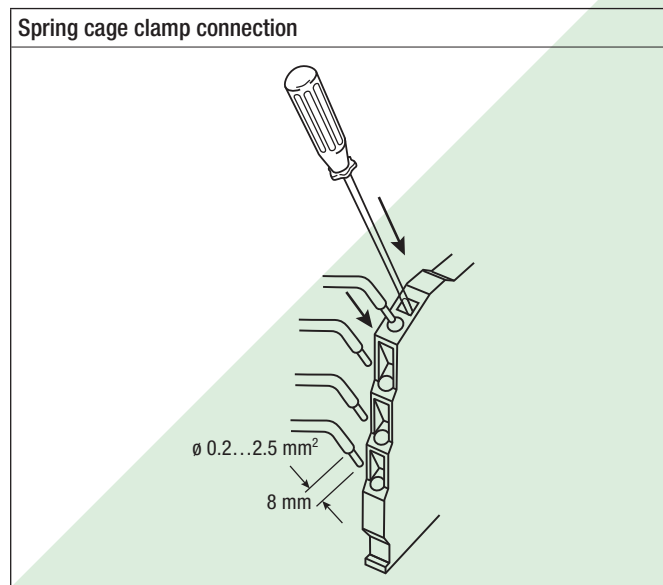
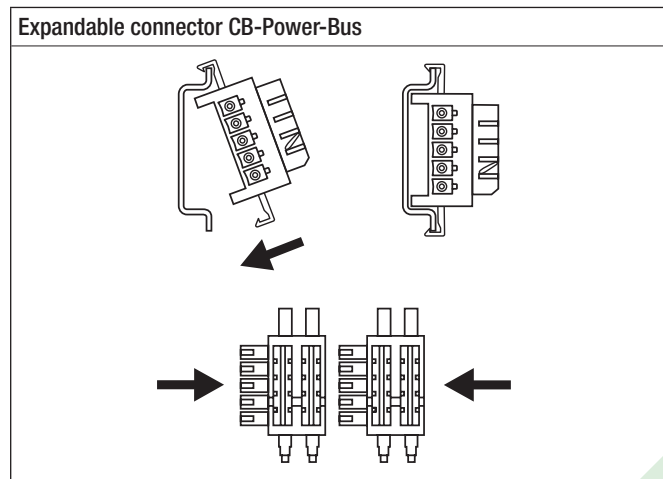
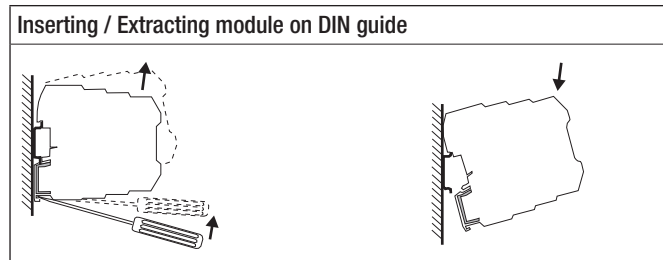
# SINEAX VS54

## Isolating Amplifier

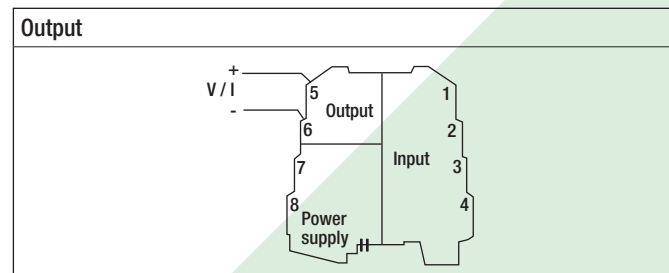
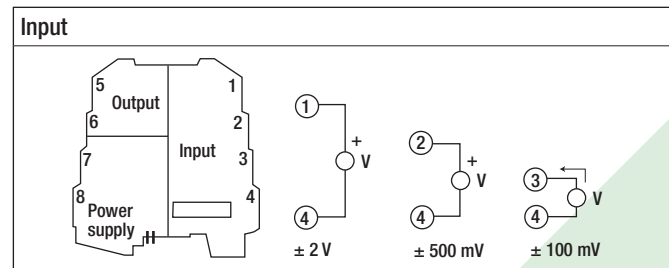
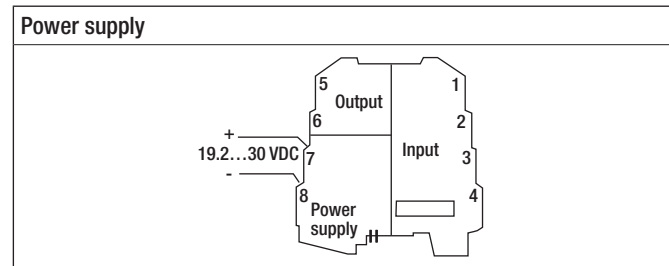
### Order Codes

Description	Code
Shunt / V-I isolated converter	162 800
Accessories	
CB-Power-Bus Expandable power supply connector	162 826
SINEAX VS70 Power supply module with surge protection	162 818

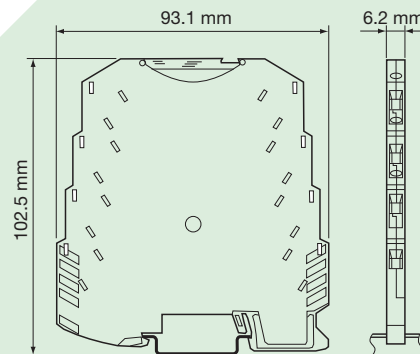
### Installation



### Electrical connections



### Dimensional drawing



**CAMILLE BAUER**

Rely on us.

Camille Bauer Ltd  
Aargauerstrasse 7  
CH-5610 Wohlen / Switzerland

Phone: +41 56 618 21 11

Fax: +41 56 618 35 35

e-mail: [info@camillebauer.com](mailto:info@camillebauer.com)

[www.camillebauer.com](http://www.camillebauer.com)