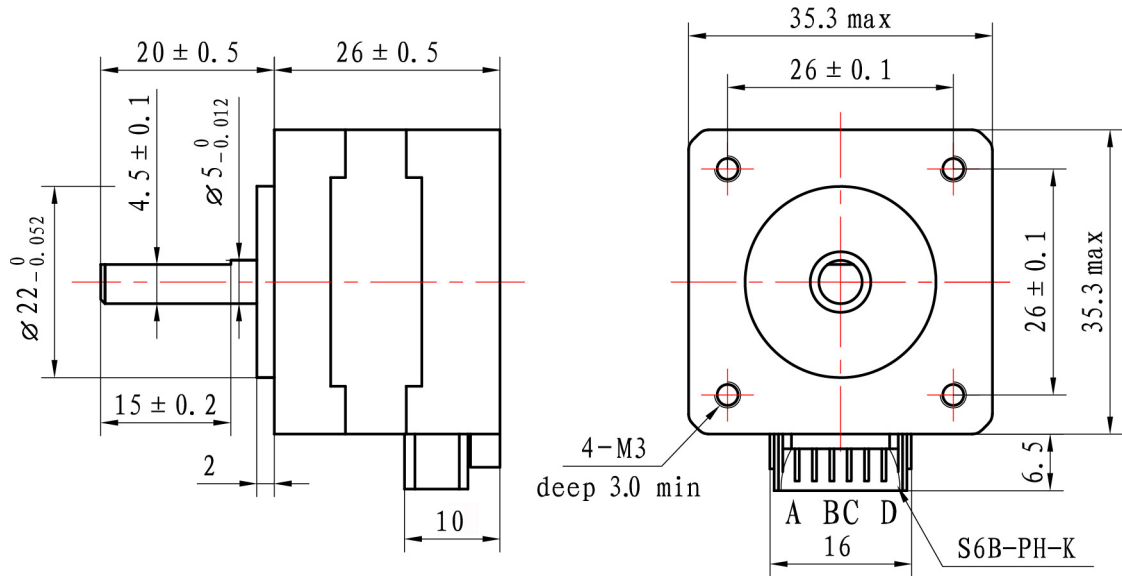


NEMA14-01

schematical drawings



Wiring diagram

