

尺寸：68*68mm
 材质：80克铜过哑油
 颜色：4+2色

■ Pantone Cool Gray 8C
 ■ Pantone Bright Red C



产品介绍

电源键功能

开机	长按电源键2秒
关机	长按电源键4秒
强制配对	在开机状态下，长按电源键2秒进入强制配对
左右立体声配对	双击电源键，左右立体声配对（2台音箱可做立体声效）/退出左右立体声配对
接听电话	单击“电源键”
挂断电话	单击“电源键”
拒接电话	长按“电源键”2秒
三方通话	
接听第三方来电	单击“电源键”接听“电话B”的呼入电话，此时“电话A”退到后台待机
拒接第三方来电	长按“电源键”2秒，拒接第三方“电话B”来电，此时“电话A”继续通话
挂断当前通话	单击“电源键”，挂断正在通话的“电话B”，此时“电话A”继续通话
两个通话间切换	双击“电源键”，将正在通话的“电话B”退到后台，之前在后台的“电话A”继续通话

音量+键

音量加大	单击“+”键
下一曲	音乐播放时，长按“+”键2秒

音量-键

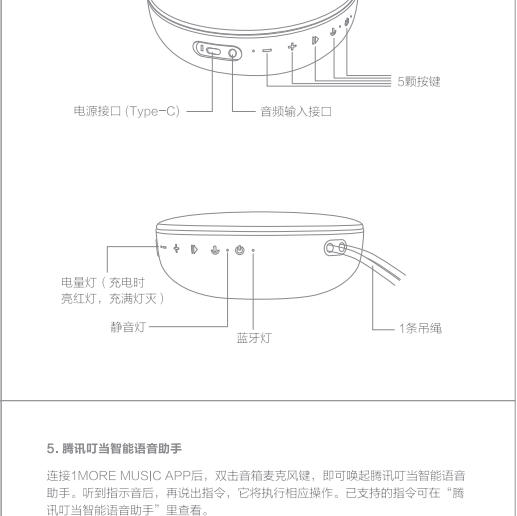
音量减小	单击“-”键
上一曲	音乐播放时，长按“-”键2秒
清除连接记录	“音量+”与“音量-”同时按住3秒

播放/暂停键

播放音乐/暂停音乐	单击播放/暂停键
-----------	----------

麦克风键

开启语音助手	双击“麦克风键”
切换当前通话	通话状态下，单击“麦克风键”
静音功能开关	静音状态下，单击“麦克风键”
连接1MORE MUSIC APP	语音助手状态下/非电话及音乐的蓝牙连接状态下，双击“麦克风键”
开启语音助手	



快速设置

1. 下载安装1MORE MUSIC APP

在手机应用商店或苹果APP Store搜索“1MORE MUSIC”下载安装。

2. 注册与登录

打开1MORE MUSIC APP，可用手机号注册，或使用微信登录创建1MORE MUSIC账号。

3. 绑定1MORE 便携蓝牙音箱

首次使用，需要将S1001音箱与您的1MORE MUSIC账号绑定。

A. 长按音箱电源键2秒，打开音箱。
 B. 在手机系统蓝牙设备列表里，找到“S1001音箱”，并点击连接。
 C. 打开1MORE MUSIC APP，并将音箱靠近手机进行蓝牙配对，请确保蓝牙已打开，且连接至音箱。

4. 进入1MORE MUSIC APP主页

玩转“跑步运动”与“发现音乐”两大板块内容。

5. 腾讯叮当智能语音助手

连接1MORE MUSIC APP后，双击音箱麦克风键，即可唤起腾讯叮当智能语音助手。听到语音后，再说出指令，它将执行相应操作。已支持的指令可在“腾讯叮当智能语音助手”里查看。

1MORE 便携蓝牙音箱是你的智能语音助手，你可以用它来听音乐、查天气、问时间、健康问答、拨打电话、音箱控制、新闻播报、播放电台节目等等。

当你想叫它时，只需要说双击麦克风键或按住手机麦克风说话；比如“播放音乐”。

产品参数

产品型号	S1001BT
扬声器单元	3.5 寸低音喇叭×1 + 27 mm 高音喇叭×1
输入电功率	30W
频率响应范围	80Hz-20,000Hz
灵敏度	87dB
额定阻抗	4Ω
无线连接	Bluetooth V4.2
麦克风	1个

功能介绍

- 外观时尚便携，防震 防滑；
2. 1个低音喇叭+1个高音喇叭，最大功率30W+10W；
3. 超棒的音质，大功率360° 震撼音效；
4. AAC高质量蓝牙传输；
5. 支持免提通话和MIC开关；
6. 两台音箱组队，开启立体声模式；
7. 3.5mm音频输入功能；
8. 支持“1MORE Music” APP AI智能语音交互；
9. 2600mAh电池超长续航力；
10. 充电3小时，播放时间长达16H以上。

三包规定

1MORE 便携蓝牙音箱售后服务严格依据《中华人民共和国消费者权益保护法》、《中华人民共和国产品质量法》实行售后三包服务。服务内容如下：在三包有效期内，您可以依照本规定免费享受退货、换货、维修的服务，退货、换货、维修应当优先免费办理。

1. 7日无理由退货（电商购买渠道），由用户承担物流费用；

2. 本产品出现《1MORE 便携蓝牙音箱产品性能故障表》所列性能故障的情况，经检测确定后，可以免费享受如下服务。

服务类型	服务政策
退货	自签收次日起 7 天内产品质量原因退货
换货	自签收次日起 15 天内产品质量原因换货
维修	自签收次日起 1 年内产品质量原因维修

产品性能故障表

名称	性能故障
1MORE 便携蓝牙音箱	音箱听不到声音 通话过程中，对方听不到声音 无法为音箱充电 按键功能失效

非保修条例

- 未经授权维修、改装、疏接、疏忽、进水、事故、改动、不正确的使用非本产品配件，或拆卸、破坏、防务标记；
- 已超过三包有效期；
- 因不可抗力造成的损坏；
- 人为原因导致本产品及其配件产生《产品性能故障表》所列性能故障。

更多服务可登陆1MORE 官网 www.1more.com，点击“服务”项或咨询服务热线：400-992-0909

注意事项

请将音箱远离其它蓝牙设备、WiFi设备、2.4GHz频段外围设备无绳电话、微波炉、电冰箱及其它工业装置，以防止信号干扰或丢失。

为确保安全，请先仔细阅读及遵守以下的安全提示：

- 设备符合标准 GB 8898-2011。
- 设备是用于干燥的室内环境。
- 插头当作断接装置，插座应该在设备的附近，而且应便于触及到。
- 设备不应放置在潮湿的火灾，如点燃的蜡烛。
- 设备不应遭受水渍或水滴，设备上不应放置花瓶一类的装满液体的物品。
- 本产品不能食用，请放置于儿童不能拿取的地方以防意外。
- 不要在高温或湿度高的地方使用本产品，请在较少尘土的位置视用本产品。
- 请勿擅自改装，修理或者拆除本产品，不适当的处理导致电线短路，产品损坏甚至火灾。曾被擅自改动过的产品，均会失去保修效力。

环保支持

1MORE 便携蓝牙音箱符合欧盟 RoHS2.0(2011/65/EU) 环保标准。

部件名称	有害有毒物质或元素				
	铅 (Pb)	汞 (Hg)	镉 (Cd)	六价铬 (Cr6VI)	多溴联苯 (PBB) / 多溴二苯醚 (PBDE)
扬声器	○	○	○	○	○
电路板及组件	x	○	○	○	○
塑胶部品	○	○	○	○	○
金属部品	x	○	○	○	○
电源适配器	x	○	○	○	○

* 本表格依据 SJ/T 11364 的规定编制。

○：表示该有害物质在该部件所有均质材料中的含量均在 GB/T 26572 规定的限量要求以下。

x：表示该有害物质至少在该部件的某一均质材料中的含量超出 GB/T 26572 规定的限量要求。

英文

Product Overview

Power

Starting on	Holding down the power key for 2 seconds
Shutting off	Holding down the power key for 4 seconds
Forced pairing	Holding down the power key for 2 seconds
TWS pairs	Double-clicking the power key
Answer the telephone	Clicking the power key
Hanging up	Clicking the power key
Rejecting a call	Holding down power key for 2 seconds
Three-way calling	
Answering the call from the third party	Clicking the power key to answer the incoming call of telephone B, at this time, the telephone A will retreat to the backstage to stand by
Rejecting the call from the third party	Holding down the power key for 2 seconds and refusing to answer the incoming call of telephone B, at this time, telephone A will continue to be on the phone
Hanging up the cellphone being on the phone currently	Clicking the power key and hanging up the phone of telephone B, at this time, telephone A will continue to be on the phone
Switching between 2 cellphones being on the phone	Double-clicking the power key, the telephone B being on the phone currently can be retreated back to the backstage, and telephone A at the backstage previously can continue to be on the phone

Volume+

Increase volume	Press the "+" key
Next track	Long press "+" key for 2 seconds

Volume-

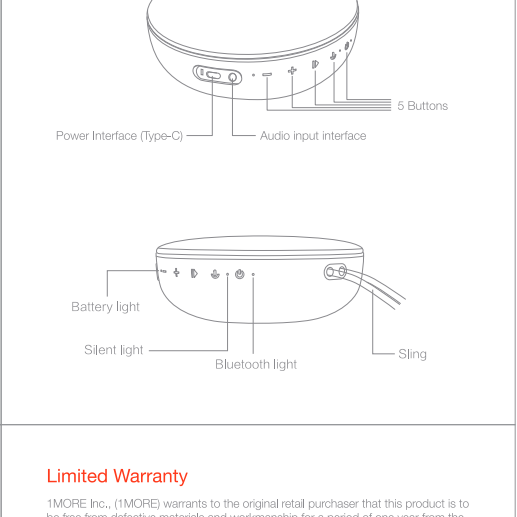
Decrease volume	Press the "-" key
Last track	Long press "-" key for 2 seconds
Eliminating connection records	Long press the "Volume +" key and "Volume-" key for 3 seconds at the same time

Play/Pause

Play music/Pause music	Click play/pause key
------------------------	----------------------

MIC

Play/Pause	Double-click "MIC key"
Switch current call mute function on / off	Click "MIC key"
Connect 1MORE MUSIC APP to activate the voice assistant	Double-click "MIC key"



Attention

To ensure safety, please read and follow the following safety tips.

- The equipment conforms to standard GB 8898-2011.
- The equipment should be used in a dry indoor environment.
- The plug should be used as a disconnection device and the socket should be near the device and should be easily accessible.
- Naked leaky sources of fire, such as lighted candles, should not be placed on the device.
- Equipment should not be subject to droplets or splashes of water, and items such as vases filled with liquid should not be placed on the equipment.
- This product is inedible, please keep it out of reach of children in case of accident.
- Do not use this product in high temperature or high humidity areas and please use the product in a place with less dust.
- Do not reft, repair or dismantle this product without authorization. Improper handling can lead to short circuits, product damage and even fires. Products that have been arbitrarily altered will lose their maintenance effectiveness.

Limited Warranty

1MORE Inc., (1MORE) warrants to the original retail purchaser that this product is to be free from defective materials and workmanship for a period of one year from the date of purchase, if it is properly used and maintained. If this product proves defective in either material or workmanship, 1MORE, at its option, will (a) repair the product, or (b) replace the product, at no charge for parts or labor. If the product model is no longer available and cannot be repaired effectively or replaced with an identical model, 1MORE at its sole option may replace the unit with a current model of equal or greater value. In some cases, modification to the mounting surface may be required when a new model is substituted. 1MORE assumes no responsibility or liability for such modification. To obtain a repair or replacement under the terms of this warranty, please return to dealer first, if possible, and the dealer will direct you accordingly for repairs or replacement. You will be required to submit a copy of the original receipt.

Return shipping for exchanges/repairs is the sole responsibility of the original retail purchaser.

Limitations:

- This limited warranty does not cover failure of the product resulting from improper installation, misuse, abuse, accident, neglect, mishandling, or wear from ordinary use or environmental deterioration.
- This limited warranty does not cover cosmetic damage, including paint damage, or consequential damage to other components or premises which may result for any reason from the failure of the product.
- This limited warranty is null and void for products not used in accordance with 1MORE's instructions.
- This limited warranty is null and void for products with altered or missing serial numbers and for products not purchased from an authorized dealer.
- This limited warranty terminates if you sell or otherwise transfer this product to another party.

WEEE

Electrical and electronic equipment with the recycling symbol marked with this symbol must not be disposed of with normal household waste, it must be collected and disposed of separately to protect the environment.

Your 1MORE retailer will advise you of the correct way of disposal in your country.

Safety Caution

Do not expose batteries or battery packs to excessive heat such as sunshine, fire or the like.

CE

Operation Frequency: 2402 MHz-2480 MHz
 Max. RF power transmitted: 40mW (compliance for EU Compliance)

Accessories: User Instruction, Type-C Charge Cable

FCC

This device complies with FCC radiation exposure limits set forth for an uncontrolled environment. This device complies with Part 15 of the FCC Rules. Operation is subject to the following two conditions: (1) this device may not cause harmful interference, and (2) this device must accept any interference received, including interference that may cause undesired operation.

Caution!

Any changes or modifications not expressly approved by the party responsible for compliance could void the user's authority to operate the equipment.

Supplier's Declaration of Conformity

47 CFR § 2.1077 Compliance Information

Unique Identifier: XXXXXXXXXXXXXXX

Trade Name: 1MORE

Model No.: S1001BT

Responsible Party – U.S. Contact Information

1MORE USA, Inc.,
 Address: 10225 Barnes Canyon Road, Suite A202, San Diego, California, 92121
 Tel: 1-855-651-6673
 E-Mail: support@1moreusa.com

Note: This equipment has been tested and found to comply with the limits for a Class B digital device, pursuant to Part 15 of the FCC Rules. These limits are designed to provide reasonable protection against harmful interference in a residential installation. This equipment generates, uses and can radiate radio frequency energy and, if not installed and used in accordance with the instructions, may cause harmful interference to radio communications. However, there is no guarantee that interference will not occur in a particular installation.

If this equipment does cause harmful interference to radio or television reception, which can be determined by turning the equipment off and on, the user is encouraged to try to correct the interference by one or more of the following measures:

- Reorient or relocate the receiving antenna.
- Increase the separation between the equipment and receiver.
- Connect the equipment into an outlet on a circuit different from that to which the receiver is connected.
- Consult the dealer or an experienced radio/TV technician for help.

Warning: changes or modifications not expressly approved by the party responsible for compliance could void the user's authority to operate the equipment.