

## Signalleuchten ø 5 mm LEDs Metallfassung

## Indicator lamps ø 5 mm LEDs Metal Holder

### Allgemeine Hinweise und Technische Daten

Allgemeine Hinweise und technische Daten: siehe Seite 6  
Technische Daten LEDs: siehe Seite 78/79

### Spezifische Technische Daten

Gehäusewerkstoff: CuZn  
Steckeinsatz: PC UL94 schwarz

Die Signalleuchten für Frontplatteneinbau sind für Schraubbefestigung mit einer empfohlenen Einbaubohrung von ø 8 mm ausgelegt. Die Fassungen sind mit Außen- oder Innenreflektor lieferbar. Der Steckeinsatz ist lösbar. Lieferung inklusive Scheibe und Sechskantmutter.



Standard LED · Standard LED / Gehäuse verchromt · Housing chrome plated			
Farbe · Color	LED-Type	Art.-Nr.	
-	-	<b>2664.1001</b>	
high efficiency red	A6	2664.8011	
bright red	A5	<b>2664.8021</b>	
yellow	A7	<b>2664.8071</b>	
green	A8	<b>2664.8081</b>	
white	M2	2664.8051	
Standard LED · Standard LED / Gehäuse schwarz gefärbt · Housing black painted			
Farbe · Color	LED-Type	Art.-Nr.	
-	-	<b>2664.1003</b>	
bright red	A5	<b>2664.8023</b>	
yellow	A7	<b>2664.8073</b>	
green	A8	<b>2664.8083</b>	
white	M2	2664.8053	

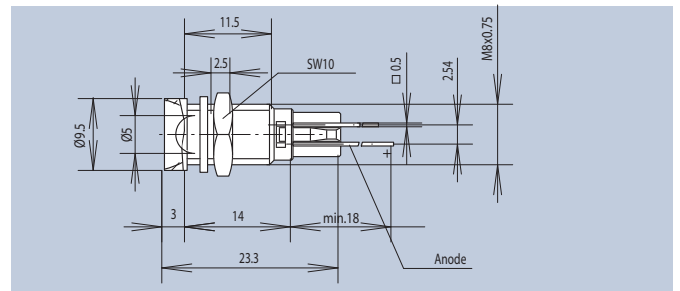
### General Remarks and Technical Data

General remarks and technical data: see page 6  
Technical data LEDs: see page 78/79

### Specific Technical Data

Housing Material: CuZn  
Plug insert: PC UL94 black

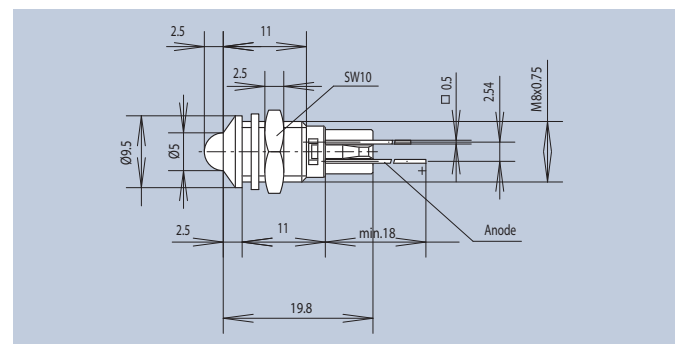
Signal lamps for front panel installation are designed for screw mounting with a recommended installation hole of ø 8 mm. The sockets can be supplied with an external or internal reflector. The plug insert is removable. Supplied with washer and hexagonal nut.



Low Current LED / Gehäuse verchromt · Housing chrome plated			
Farbe · Color	LED-Type	Art.-Nr.	
high efficiency red	A12	2664.3021	
yellow	A13	2664.3071	
green	A14	2664.3081	



Standard LED · Standard LED / Gehäuse verchromt · Housing chrome plated			
Farbe · Color	LED-Type	Art.-Nr.	
-	-	<b>2665.1001</b>	
high efficiency red	A6	2665.8011	
bright red	A5	<b>2665.8021</b>	
yellow	A7	<b>2665.8071</b>	
green	A8	<b>2665.8081</b>	
blue	A52	2665.8061	
white	M2	2665.8051	
Standard LED · Standard LED / Gehäuse schwarz gefärbt · Housing black painted			
Farbe · Color	LED-Type	Art.-Nr.	
-	-	<b>2665.1003</b>	
bright red	A5	<b>2665.8023</b>	
yellow	A7	<b>2665.8073</b>	
green	A8	<b>2665.8083</b>	
blue	A52	2665.8063	
white	M2	2665.8053	



Low Current LED / Gehäuse verchromt · Housing chrome plated			
Farbe · Color	LED-Type	Art.-Nr.	
high efficiency red	A12	2665.3021	
yellow	A13	2665.3071	
green	A14	2665.3081	

# Technische Daten LEDs

# Technical Data LEDs

LED-Type	Emission Color	Wavelength $\lambda$ (nm) dominant	Lense Color	Forward Voltage $V_f$ (V)		Luminous Intensity $I_v$ (mcd)			at mA	Fwd. Current $I_f$ max (mA)	Rev. Voltage $V_R$ (V)	2 $\phi$ (50% $I_v$ ) deg.
				typ	max	min	typ	max				
<b>THT</b>												
A1	bright red	660	red diffused	2.25	2.5	1.2	-	4	10 20	25	5	60
A2	high efficiency red	625	red diffused	2	2.5	15	-	30	10 20	30	5	60
A3	yellow	588	yellow diffused	2.1	2.5	10	-	20	10 20	30	5	60
A4	green	568	green diffused	2.2	2.5	10	-	20	10 20	25	5	40
A5	bright red	660	red diffused	2.25	2.5	4	-	10	10 20	25	5	60
A6	high efficiency red	625	red diffused	2	2.5	30	-	80	10 20	30	5	60
A7	yellow	588	yellow diffused	2.1	2.5	15	-	30	10 20	30	5	60
A8	green	568	green diffused	2.2	2.5	15	-	30	10 20	25	5	60
A9	high efficiency red	625	red diffused	1.7	2.5	1.2	-	4	2	30	5	60
A10	yellow	588	yellow diffused	1.85	2.5	1.2	-	4	2	30	5	60
A11	green	568	green diffused	1.9	2.5	1	-	5	2	25	5	60
A12	high efficiency red	625	red diffused	2	2.5	4	-	10	2 20	30	5	60
A13	yellow	588	yellow diffused	1.85	2.5	1	-	5	2	30	5	60
A14	green	568	green diffused	2.2	2.5	1	-	5	2 20	25	5	60
A22	bright red	660	red diffused	2.25	2.5	1	-	5	10 20	25	5	70
A23	yellow	588	yellow diffused	2.1	2.5	5	-	17	10 20	30	5	70
A24	green	568	green diffused	2.2	2.5	5	-	17	10 20	25	5	70
A25	bright red	660	red diffused	2.25	2.5	1.2	-	6	10 20	25	5	60
A27	yellow	588	yellow diffused	2.1	2.5	6	-	20	10 20	30	5	60
A28	green	568	green diffused	2.2	2.5	6	-	20	10 20	25	5	60
A29	high efficiency red	625	red diffused	2	2.5	70	-	220	20	30	5	60
A30	yellow	588	yellow diffused	2.1	2.5	36	-	90	20	30	5	60
A31	green	568	green diffused	2.2	2.5	36	-	90	20	25	5	60
A32	high efficiency red	625	red diffused	2	2.5	36	100	-	20	30	5	60
A33	yellow	588	yellow diffused	2.1	2.5	20	-	50	20	30	5	60
A34	green	568	green diffused	2.2	2.5	40	-	60	20	25	5	60
A38	bright red	660	red diffused	2.25	2.5	0.5	-	1.2	10 20	25	5	100
A40	yellow	588	yellow diffused	2.1	2.5	3	-	12	10 20	30	5	100
A41	green	568	green diffused	2.2	2.5	3	-	12	10 20	25	5	100
A42	bright red	660	red diffused	2.25	2.5	1	-	5	10 20	25	5	100
A44	yellow	588	yellow diffused	2.1	2.5	3	-	12	10 20	30	5	100
A45	green	568	green diffused	2.2	2.5	1	-	5	10 20	25	5	100
A46	high efficiency red	625	red diffused	2	2.5	3	-	7	10 20	30	5	110
A47	yellow	588	yellow diffused	2.1	2.5	1.8	-	7	10 20	30	5	110
A48	green	568	green diffused	2.2	2.5	2	-	10	10 20	25	5	110
A49	high efficiency red/green	617 568	white diffused	2 2.2	2.5 2.5	8 8	-	20 40	20 20	30 25	-	60 60
A51	blue	466	blue transparent	3.8	4.5	18	100	-	20	30	5	50
A52	blue	466	blue transparent	3.8	4.5	70	200	-	20	30	5	30
A60	high efficiency red	625	red diffused	5.7	7.5	18	61.56	-	10	60	15	120
A61	yellow	588	yellow diffused	5.85	7.5	7	37.18	-	10	60	15	120
A62	green	568	green diffused	6	7.5	18	53.3	-	10	50	15	120
A69	super red	622-634	red diffused	2	2.5	6.3	-	20	10	40	12	50

# Technische Daten LEDs

# Technical Data LEDs

LED-Type	Emission Color	Wavelength λ (nm) dominant	Lense Color	Forward Voltage V <sub>F</sub> (V)		Luminous Intensity I <sub>v</sub> (mcd)			at mA	Fwd. Current I <sub>F</sub> max (mA)	Rev. Voltage V <sub>R</sub> (V)	2φ (50% I <sub>v</sub> ) deg.
				typ	max	min	typ	max				
<b>THT</b>												
A70	yellow	580-595	yellow diffused	2	2.5	7.1	-	18	10	40	12	50
A71	green	564-576	green diffused	2	2.5	7.1	-	18	10	40	12	50
A72	super red	622-634	red diffused	2	2.5	7.1	-	18	10	40	12	70
A76	high efficiency red/green	625 568	white diffused	2 2.2	2.5 2.5	5 5	-	20 20	20 20	30 25	-	70 70
A77	super bright red	640	red diffused	1.85	2.5	280	400	-	20	30	5	60
A78	yellow	588	yellow transparent	2.1	2.5	50	-	120	10 20	30	5	30
A79	green	568	green transparent	2.2	2.5	50	-	120	10 20	25	5	30
A83	high efficiency red	625	red transparent	2	2.5	30	-	80	10 20	30	5	50
A84	yellow	588	yellow transparent	2.1	2.5	20	-	50	10 20	30	5	50
A85	green	568	green transparent	2.1	2.5	30	-	50	10 20	25	5	50
C5	orange red/ green	612-625 552-575	white diffused	2 2.4	3 3	1 1	2.5 2.5	-	10 20 10 20	30	6	60
C12	red	630	red diffused	2	3	4	-	32	10 20	20	6	40
C13	yellow	581-594	yellow diffused	2.4	3	2.5	-	12.5	10 20	30	6	40
C14	green	562-575	green diffused	2.4	3	4	-	20	10 20	30	6	40
C15	red	612-625	red diffused	2	3	6.3	-	20	10 20	30	6	60
C16	yellow	581-594	yellow diffused	2.4	3	6.3	-	20	10 20	30	6	60
C17	green	562-575	green diffused	2.4	3	10	-	32	10 20	30	6	60
E3	high efficiency red/green	625 568	white diffused	2 2.2	2.5 2.5	10 10	50 30	-	20 20	30 25	5 5	60 60
G1	bright red	660	red diffused	2.25	2.5	0.4	-	3	20	25	5	40
G2	yellow	588	yellow diffused	2.1	2.5	2.6	10	-	20	30	5	40
G3	super bright green	568	green diffused	2.2	2.5	2.6	10	-	20	25	5	40
H1	super deep red	639	red diffused	2	2.4	40	80	-	20	25	5	100
H2	super yellow	589	yellow diffused	2	2.4	25	50	-	20	25	5	100
H3	super yellow green	573	green diffused	2	2.4	6.3	12.5	-	20	25	5	60
H4	hyper red	624	red diffused	2	2.4	10	20	-	20	25	5	100
M2	white	-	colorless clear	3.6	4	3900	-	11000	20	30	5	20
W1	white	-	colorless clear	3.2	3.8	1400	-	3550	5	25	5	45
<b>Argus</b>												
A15	super red	628	red clear	2.1	2.5	35.5	-	71	15	40	12	

## Symbole

## Symbols

### Besonderheiten · Specifics

**NEW** Produktneueit  
New product

**ESD** Sehr hoher ESD-Schutz zur Frontplatte bzw. Gehäusefront.  
Very high level of ESD protection for the front panel.

**FEL** Frontplatten-Einbauelemente zur Nutzung als Anzeigeelemente für das 19"-Aufbausystem.  
Front panel assembly elements for use as display elements for the 19-inch structure system.

### Kundenspezifisch · Customised

**C** Kundenspezifische Ausführung möglich. Zu Details siehe Seite 4/6.  
Customised solutions available. For details see page 4/6.

**LowMOQs** Lagermäßig geführte Artikel (Art.-Nr. in **Fett**druck) liefern wir mit geringen Mindestbestellmengen und kurzen Lieferzeiten.  
Parts, that are available ex-stock (Part No. in **bold**) are delivered with small MOQs and short delivery times.

**MOQ1** Mindestbestellmenge für Nicht-Lagerhaltige-Artikel (Art.-Nr. in Magerdruck). Lieferzeit auf Anfrage.  
Minimum quantity for manufacture of non-stocked part nos. (in normal font): delivery time on request.

**MOQ2** Mindestbestellmenge für Sonderlängen (Länge A). Lieferzeiten und andere Sonderversionen auf Anfrage.  
Minimum quantity for customer defined "Length A": delivery times and other customisation on request.