

# ION L1 PRO

CO-ENGINEERED WITH



QUICK START GUIDE V1.0

YUNEEC

**EN:** Quick Start Guide

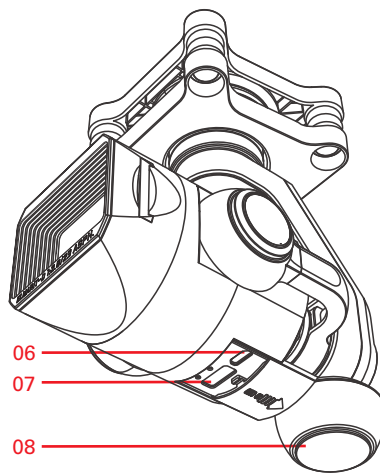
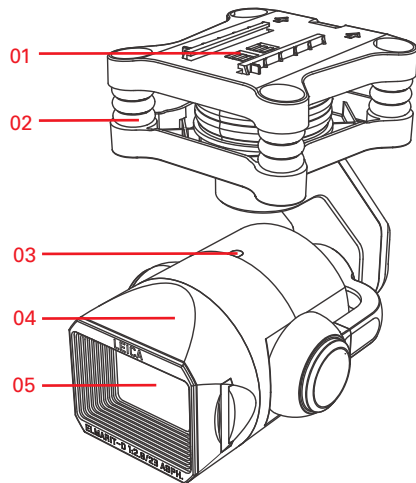
**DE:** Schnellstartanleitung

**FR:** Guide de démarrage rapide

**ES:** Guía de inicio rápido

**IT:** Guida Rapida

## Introduction and Overview



- 01 Connection Pin
- 02 Damping Plate
- 03 LED Status Indicator
- 04 Camera
- 05 Camera Lens

- 06 USB Port
- 07 Micro SD Port
- 08 5GHz Antenna

# Specifications

## General

Product: 3-Axis Gimbal Camera  
Model Name: ION L1 PRO  
Dimensions: 5.1x3.1x5.1inch (129x80x130mm)  
Weight: 13.2oz ( 375g )

## Camera

Equivalent Focal Length: 23mm f/2.8  
FOV: 91°  
Image Sensor: CMOS  
Size of Image Sensor: 1inch (13.2x8.8mm)  
Effective Pixels: 20MP  
Operation Modes: Capture, Record  
Photo Formats: JPG, DNG, DNG+JPG  
Video Storage Formats: MP4  
Video Resolution:  
4K: 4096X2160  
H264: 24/25/30/48/50/60fps  
H265: 24/25/30fps  
UHD: 3840x2160  
H264: 24/25/30/48/50/60fps  
H265: 24/25/30fps  
2720x1530 24/25/30/48/50/60fps  
FHD: 1920x1080 24/25/30/48/50/60/120fps  
HD: 1280x720 24/25/30/48/50/60/120fps  
Photo Resolution:  
3:2 5472x3648  
4:3 4864x3648  
16:9 5472x3080

Exposure Mode: Auto, Manual, Semi-Auto  
Exposure Values:  $\pm 3.0$   
ISO: 100-6400  
Electronic Shutter: 4s --- 1/8000s

Metering Modes:  
Spot Metering, Center Metering,  
Average Metering

Photography Mode: Single, Burst (3/5/7),  
Interval ( 2S,3S,5S,7S,10S,15S,20S,30S,60S ),  
AEB (  $\pm 0.3$ ,  $\pm 0.7$  ), Panoramic ( Horizon,Sphere )

White Balance:  
Auto, Lock, Daylight, Cloudy, Shade,  
Incandescent, Sunrise, Custom ( 2000K-12000K )

## Gimbal

Number of Axis: 3  
Control Angle Accuracy:  $\pm 0.02^\circ$   
Maximum Control Range ( Tilt ):  
- Angle Mode: between  $0^\circ$  and  $-90^\circ$   
- Velocity Mode: between  $30^\circ$  and  $-90^\circ$   
Maximum Control Range ( Pan ):  $360^\circ$  limitless  
Maximum Control Speed:  
-Tilt:  $30^\circ/s$   
- Pan:  $120^\circ/s$   
Transmission System: 5.2GHz - 5.8GHz

## Gimbal Installation

### Assembling

#### Step 1.

Find the arrow printed on the top of the damping plate, which indicates the correct direction for installation.

#### Step 2.

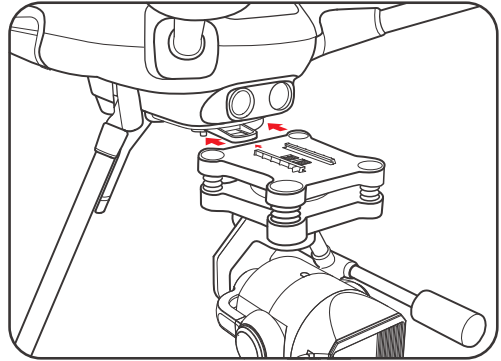
Slide the ION L1 PRO in the indicated direction all the way into the mounting slot, until the ION L1 PRO is secured by the locking clip.

#### Step 3.

Remove the lens protector.

#### Step 4.

Insert the Micro SD card.



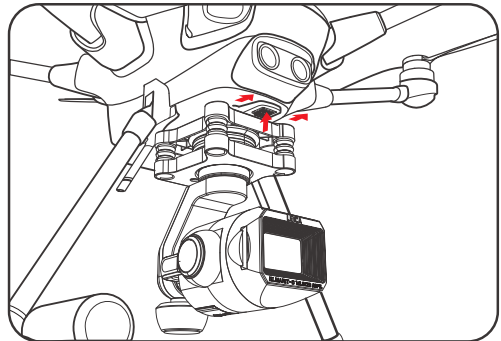
### Disassembling

#### Step 1.

Find the locking clip which is located in front of the mounting slot.

#### Step 2.

Press and hold the locking clip and push the ION L1 PRO forward ( the direction shown by the arrow ).





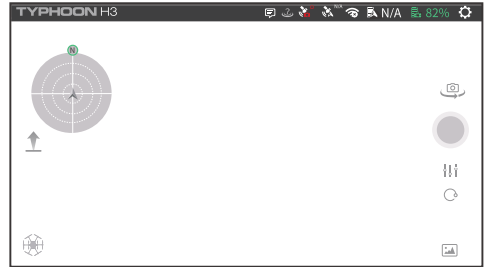
## Binding the ION L1 PRO and TYPHOON H3

### Step 1.

Switch on the ST16S followed by the aircraft.

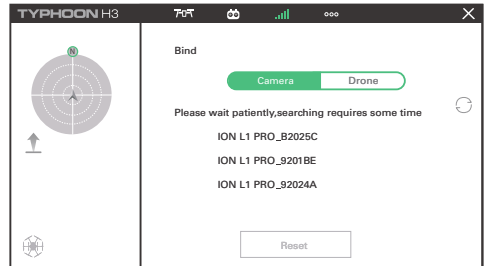
### Step 2.

Tap [  ] on the top right corner on the main interface of ST16S, then tap [  ] on the switching interface.



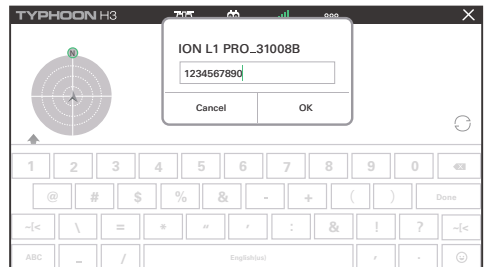
### Step 3.

Tap the serial number of the ION L1 PRO when the following window pops up. If multiple Yuneec UAS are used, check the ID number on the side of each camera to assure correct camera selection/ binding.



### Step 4.

Use the password "1234567890", authorize the camera and tap "OK" to confirm.



## NOTICE

If the connection process is delayed, close the pop up window and then repeat the above steps.

## NOTICE

- 1 Make sure that the firmware of the gimbal has been updated to the latest version.
- 2 For the latest product information, please check our official website: [www.yuneec.com](http://www.yuneec.com).

## WARNING

Do not expose the lens of ION L1 PRO gimbal camera to extreme light sources!  
Do not operate the ION L1 PRO gimbal camera in the rain or in environments with high humidity!  
Do not touch or move the ION L1 PRO gimbal camera until the initialization process has been completed!  
Do not try to repair the ION L1 PRO gimbal camera by yourself! Repairs must go to an authorized service center.

**The following special terms are used throughout the product literature to indicate various levels of potential harm when operating this product:**

**NOTICE** Procedures, which if not properly followed, create a possibility of property damage and/or little to no possibility of injury.

**CAUTION** Procedures, which if not properly followed, create the probability of property damage and/or a possibility of serious injury.

**WARNING** Procedures, which if not properly followed, create the probability of property damage, collateral damage and/or serious injury or create a high probability of superficial injury.

## WARNING

Read the ENTIRE instruction manual to become familiar with the features of the product before operating.  
Do not use with incompatible components or alter this product in any way outside of the instructions provided by Yuneec.  
Failure to use this product in the intended manner as described in instruction manual can result in damage to the product, property and/or cause serious injury. This product is not a toy!

## Collection and Processing of Data

We may also collect Depth Map information and Infrared Image information from your drone delivered to our service center for repair and maintenance service or any other service.  
We may also collect personal information used in registration if you choose to become a registered user and any other information user provided to Yuneec. We may also collect information which user send to other users, and the recipients and senders of such information.

such disclosure is needed to comply with applicable laws, for example in response to a court order, judicial subpoena, warrant or request from government, or otherwise cooperating with government agencies or law enforcement.

We also reserve the right to disclose your information that we believe in good faith is necessary or appropriate to: (i) protect ourselves or others from fraudulent, unlawful, or abusive activities; (ii) take precautions against potential liability; (iii) protect the security of the Yuneec Apps embedded into or downloaded onto your drone or any associated equipment and services; (iv) protect the legal rights of ourselves or any others.

Any information we collected maybe disclosed or transferred to an acquirer, successor or assignee as part of any potential merger, acquisition, debt financing or other activities that involves transfer of business assets.

We may make the aggregated non-personal information of the users available to third parties for various purposes, including (i) complying with various report obligations; (ii) marketing efforts; (iii) analyzing product safety; (iv) understanding and analyzing our users' interests, habits, usage pattern for certain functionalities, services, content, etc.

## Disclaimer

Yuneec International (China) Co., Ltd. cannot be held liable for any damage, injury or for use of the product in violation with legal regulations, especially in the following circumstances: Damage and/or injury as well violation of legal regulations resulting from a failure to comply with the operating instructions or the instructions at [www.yuneec.com](http://www.yuneec.com), product information, user manual and other legally binding information.

Damage and/or injury as well violation of legal regulations brought about by the influence of alcohol, drugs, medication or other narcotics which may impact on the concentration of the user.

The same applies to illnesses effecting the concentration of the user(dizziness, tiredness, nausea etc.) or other Ofactors compromising mental and physical capabilities.

Intentionally caused damage, injury or violation of legal regulations.

Any request for compensation caused by an accident resulting from use of the product.

Damage and/or injury as well as violation of legal regulations caused by use of the product in a no-fly zone, e.g.next to an airfield, above a motorway or a natural conservation area.

Malfunction of the product caused by retrofitting or replacement with components which did not come from Yuneec.

Damage and/or injury caused by the use of replica parts (non-original parts).

Damage and/or injury as well as violation of legal regulations caused by incorrect operation or misjudgement.

Damage and/or injury caused by damaged spare parts or not using original Yuneec spare parts.



Damage and/or injury as well as violation of legal regulations caused by ignoring the low voltage battery warning.

Damage and/or injury as well as violation of legal regulations caused by operating the model in a magnetic field (e.g. high voltage lines, electricity/ transformer stations, radio towers, mobile phone masts etc.) a strong wireless signal environment, no-fly zones, poor visibility and in the event of vision impairments or other impacts on the pilot which are left unchecked etc.

Damage and/or injury brought about through a violation of the legal regulations for operating the model, in unsuitable weather conditions, e.g. rain, wind, snow, hail, storms, hurricanes etc.

Damage and/or injury as well as violation of legal regulations caused by force majeure, e.g. collision, fire, explosion, flooding, tsunami, landslide, avalanche, earthquake or other forces of nature.

Damage and/or injury as well as violation of legal regulations caused by the illegal or immoral use of the model, e.g. capturing videos or recording data which infringes upon/harms the privacy of other people.

Damage and/or injury as well as violation of legal regulations caused by incorrect use of the batteries, protection systems, chargers or aircraft.

Consequential damage caused by the incorrect operation of any kind of system components and accessory parts, especially memory cards, whereby image or video material from the camera can become defect.

Any non-compliance with legal obligations, personal injury, material damage and environmental damage caused by use and a failure to comply with the local laws and regulations.

Damage and/or injury as well as violation of legal regulations caused by hazardous use without sufficient practical experience.

Damage and/or injury as well as violation of legal regulations caused by flying in legally defined no-fly zones.

Further losses which do not fall within the scope of use defined by Yuneec as improper.

This product is designed for both professional use and personal, private use. The national and international laws and regulations in force as the time of taking off must be adhered to.

## **Regulation Information**

### **FCC Statement**

This equipment has been tested and found to comply with the limits for Part 15 of the FCC rules. These limits are designed to provide reasonable protection against harmful interference in a residential installation. This equipment generates, uses and can radiate radio frequency energy and, if not installed and used in accordance with the instructions, may cause harmful interference to radio communications. However, there is no

guarantee that interference will not occur in a particular installation. If this equipment does cause harmful interference to radio or television reception, which can be determined by turning the equipment off and on, the user is encouraged to try to correct the interference by one or more of the following measures:

- Reorient or relocate the receiving antenna.
- Increase the separation between the equipment and receiver.
- Connect the equipment to an outlet on a circuit different from that to which the receiver is connected.
- Consult the dealer or an experienced radio/TV technician for help.

This device complies with part 15 of the FCC rules. Operation is subject to the following two conditions:

(1) This device may not cause harmful interference, and (2) this device must accept any interference received, including interference that may cause undesired operation.

## **RF Exposure Warning**

This equipment must be installed and operated in accordance with provided instructions and the antenna(s) used for this transmitter must be installed to provide a separation distance of at least 20 cm from all persons and must not be co-located or operating in conjunction with any other antenna or transmitter. End-users and installers must be provided with antenna installation instructions and transmitter operating conditions for satisfying RF exposure compliance.

## **IC Radiation Exposure Statement for Canada**

This device complies with Industry Canada licence-exempt RSS standard(s). Operation is subject to the following two conditions: (1) this device may not cause interference, and (2) this device must accept any interference, including interference that may cause undesired operation of the device. Le présent appareil est conforme aux CNR d'Industrie Canada applicables aux appareils radio exempts de licence. L'exploitation est autorisée aux deux conditions suivantes : (1) l'appareil ne doit pas produire de brouillage, et (2) l'utilisateur de l'appareil doit accepter tout brouillage radioélectrique subi, même si le brouillage est susceptible d'en compromettre le fonctionnement.

This equipment complies with IC RSS-102 radiation exposure limit set forth for an uncontrolled environment. Cet équipement respecte les limites d'exposition aux rayonnements IC définies pour un environnement non contrôlé.

## **NCC Warning Statement**

本產品符合低功率電波輻射性電機管理辦法 第十二條 ~ 第十四條等條文規定：

\* 經型式認證合格之低功率射頻電機，非經許可，公司、商號或使用者均不得擅自變更頻率、加大功率或變更原設計之特性及功能。

\* 低功率射頻電機之使用不得影響飛航安全及干擾合法通信；經發現有干擾現象時，應立即停用，並改善至無干擾時方得繼續使用。

前項合法通信，指依電信法規定作業之無線電通信。低功率射頻電機須忍受合法通信或工業、科學及醫療用電波輻射性電機設備之干擾。

## **CE Warning Statement**

This device meets the EU requirements on the limitation of the general public to electromagnetic fields by way of health protection.

EU Operation Frequency (The Maximum Transmitted Power)

5G Wifi: 5560-5580MHz (27dBm), 5680-5700MHz (27dBm)

## **EU Compliance Statement**

Hereby, Yuneec International (China) Co., Ltd. declares that this device is in compliance with the essential requirements and other relevant provisions of the RED Directive 2014/53/EU. The full text of the EU Declaration of Conformity is available at the following internet address: [www.yuneec.com](http://www.yuneec.com).

Please visit the address above and enter into corresponding product page.

# Customer Service

## Manufacturer:

### **Yunee International (China) Co., Ltd.**

Address: East Zhengwei Road No.388, Jinxi Town, Kunshan City, Jiangsu Province, China

## Distributor:

### **CN: Yunee International (China) Co., Ltd.**

Address: East Zhengwei Road No.388, Jinxi Town, Kunshan City, Jiangsu Province, China

Tel.: +86 400 8207 506

saleschina@yunee.com

### **US: Yunee USA Inc**

Address: 9227 Haven Ave, Suite 210 Rancho Cucamonga, CA 91730, USA

Customer Support: +1 844 390 3363

Order Support: +1 844 390 3366

### **EU: Yunee Europe GmbH**

Address: Nikolaus-Otto-Strasse 4, 24568 Kaltenkirchen, Germany

Tel.: +49 4191 932620

eucs@yunee.com

### **UK: YUNEEC UK**

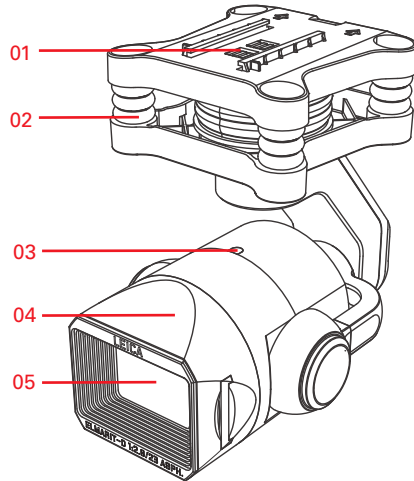
Address: 181 Victoria Road, Barnet, Hertfordshire EN4 9PA, UK

Tel.: +44(0) 208 449 4321

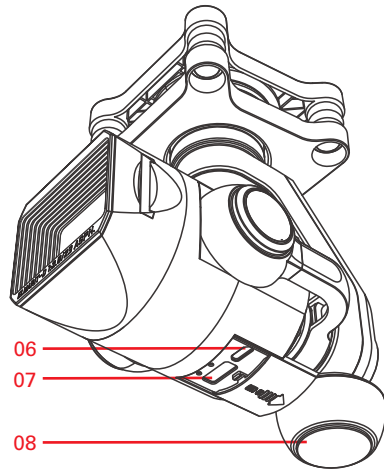
info@yunee.uk

## Einführung und Übersicht

DE



- 01 Anschlussstift
- 02 Dämpfungplatte
- 03 LED-Statusanzeige
- 04 Kamera
- 05 Kameralinse



- 06 USB-Anschluss
- 07 Micro-SD-Anschluss
- 08 5-GHz-Antenne

## Technische Daten

### Allgemein

Produkt: 3-Achsen-Gimbal-Kamera  
Modellbezeichnung: ION L1 PRO  
Maße: 129 x 80 x 130 mm (5.1 x 3.1 x 5.1 Zoll)  
Gewicht: 375 g (13,2 oz)

### Kamera

Äquivalente Brennweite: 23 mm f/2.8  
FOV: 91°  
Bildsensor: CMOS  
Größe des Bildsensors: 13,2 x 8,8 mm (1 Zoll)  
Effektive Pixel: 20 MP  
Betriebsarten: Erfassung, Aufzeichnung  
Bildformate: JPG, DNG, DNG+JPG  
Videoformate: MP4  
Videoauflösung:  
4K: 4096 X 2160  
H264: 24/25/30/48/50/60 Bilder pro Sekunde  
H265: 24/25/30 Bilder pro Sekunde  
UHD: 3840 x 2160  
H264: 24/25/30/48/50/60 Bilder pro Sekunde  
H265: 24/25/30 Bilder pro Sekunde  
2720 x 1530 24/25/30/48/50/60 Bilder pro Sekunde  
FHD: 1920 x 1080 24/25/30/48/50/60/120  
Bilder pro Sekunde  
HD: 1280 x 720 24/25/30/48/50/60/120  
Bilder pro Sekunde  
Bildauflösung:  
3:2 5472 x 3648  
4:3 4864 x 3648  
16:9 5472 x 3080

Belichtungsmodus: Auto, Manuell, Semi-Auto  
Belichtungswert:  $\pm 3,0$   
ISO: 100–6400  
Elektronischer Verschluss: 4 s --- 1/8000 Sek.  
Messmodi:  
Spot-Messung, mittlenbetonte Messung, Integralmessung  
Fotomodus: Einzelaufnahme, Serien (3/5/7),  
Intervall (2 Sek., 3 Sek., 5 Sek., 7 Sek., 10 Sek., 15 Sek., 20 Sek., 30 Sek., 60 Sek.),  
AEB ( $\pm 0,3$ ,  $\pm 0,7$ ), Panorama (Horizontal, Sphere)  
Weißabgleich:  
Automatik, Sperre, Tageslicht, Bewölkung, Schatten,  
Glühlampe, Sonnenaufgang, Benutzerdefiniert (2000K–12000K)

### Gimbal

Anzahl der Achsen: 3  
Winkelgenauigkeit der Steuerung:  $\pm 0,02^\circ$   
Maximaler Steuerbereich (Neigung):  
- Winkelmodus: zwischen  $0^\circ$  und  $-90^\circ$   
- Geschwindigkeitsmodus: zwischen  $30^\circ$  und  $-90^\circ$   
Maximaler Steuerbereich (Schwenk):  $360^\circ$   
Unbegrenzte max. Regelungsgeschwindigkeit:  
- Neigung:  $30^\circ/\text{s}$   
- Schwenk:  $120^\circ/\text{s}$   
Übertragungssystem: 5,2 GHz – 5,8 GHz

## Installation des Gimbal

### Montage

#### Schritt 1.

Suchen Sie den auf die Oberseite der Dämpfungplatte aufgedruckten Pfeil. Dieser zeigt die korrekte Installationsrichtung an.

#### Schritt 2.

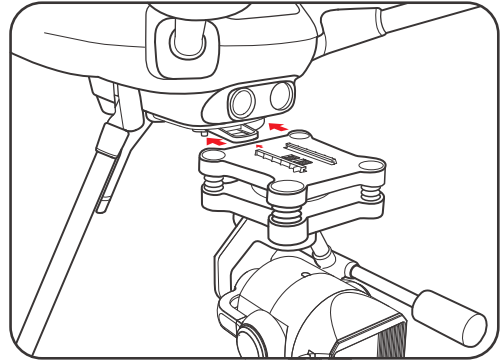
Schieben Sie die ION L1 PRO in der angezeigten Richtung vollständig in den Befestigungsschlitz, bis die ION L1 PRO von der Verriegelungsklammer festgehalten wird.

#### Schritt 3.

Nehmen Sie den Linsenschutz ab.

#### Schritt 4.

Stecken Sie die Micro-SD-Karte ein.



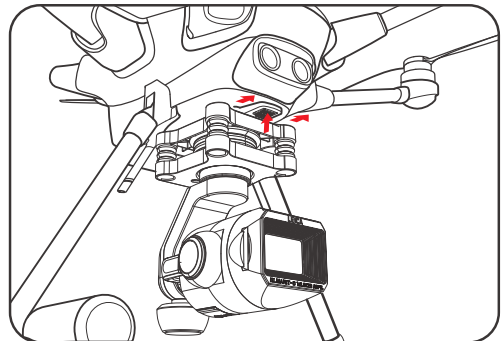
### Demontage

#### Schritt 1.

Finden Sie die Verriegelungsklammer, die sich vorne am Befestigungsschlitz befindet.

#### Schritt 2.

Drücken und halten Sie die Befestigungsklammer und schieben Sie die ION L1 PRO nach vorne (die vom Pfeil angezeigte Richtung).





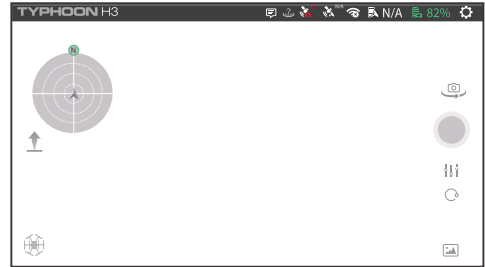
## Verbinden von ION L1 PRO und TYPHOON H3

### Schritt 1.

Schalten Sie erst die ST16S und anschließend das Fluggerät ein.

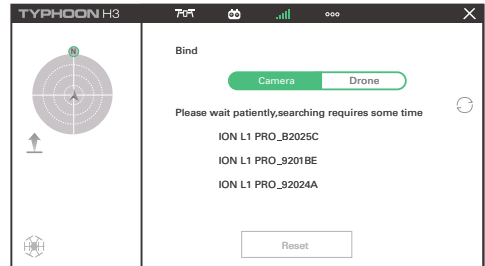
### Schritt 2.

Tippen Sie auf [  ] in der rechten oberen Ecke des ST16S-Hauptbedienfelds. Tippen Sie dann auf [  ] im Schaltfeld.



### Schritt 3.

Tippen Sie auf die Seriennummer der ION L1 PRO, wenn folgendes Fenster angezeigt wird. (Wenn Sie mehrere Yuneec UAS verwenden, überprüfen Sie die ID-Nummer auf der Seite jeder Kamera, um sicherzustellen, dass Sie die richtige Kamera auswählen/verbinden).

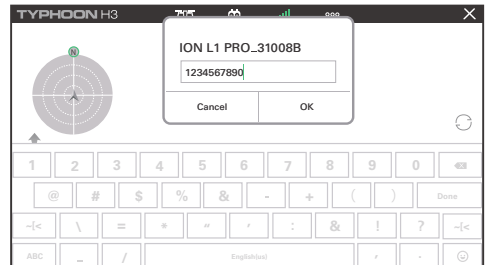


### Schritt 4.

Verwenden Sie das Passwort „1234567890“, um die Kamera zu autorisieren und tippen Sie zur Bestätigung auf „OK“.

## HINWEIS

Wenn sich der Verbindungsprozess verzögert, schließen Sie bitte das geöffnete Fenster und wiederholen Sie die vorherigen Schritte.





## HINWEIS

1. Stellen Sie sicher, dass die Firmware des Tragrahmens auf die neueste Version aktualisiert wurde.
2. Besuchen Sie bitte unsere offizielle Webseite [www.yuneec.com](http://www.yuneec.com), um aktuelle Produktinformationen einzusehen.

## WARNUNG

Setzen Sie die Linse der ION L1 PRO Gimbal-Kamera nicht extrem hellen Lichtquellen aus!  
Betreiben Sie die ION L1 PRO Gimbal-Kamera nicht im Regen oder in Umgebungen mit hoher Luftfeuchtigkeit!  
Berühren oder bewegen Sie die ION L1 PRO Gimbal-Kamera nicht, bevor nicht der Initialisierungsprozess abgeschlossen ist!

Versuchen Sie nicht, die ION L1 PRO Gimbal-Kamera zu reparieren! Reparaturen müssen an ein autorisiertes Servicezentrum gesendet werden.

**Folgende besondere Begriffe werden in der gesamten Produktliteratur verwendet, um auf verschiedene Stufen potentieller Risiken beim Betrieb dieses Produkts hinzuweisen:**

**HINWEIS** Prozeduren, bei denen, wenn sie nicht korrekt eingehalten werden, die Möglichkeit von Sachschäden und/oder eine geringe bzw. keine Verletzungsmöglichkeit besteht.

**VORSICHT** Prozeduren, bei denen, wenn sie nicht korrekt eingehalten werden, die Möglichkeit von Sachschäden und/oder die Möglichkeit für ernste Verletzungen besteht.

**WARNUNG** Prozeduren, bei denen, wenn sie nicht korrekt eingehalten werden, die Möglichkeit von Sachschäden, Kollateralschäden und/oder ernsten Verletzungen besteht bzw. eine hohe Wahrscheinlichkeit für äußerliche Verletzungen besteht.

## WARNUNG

Lesen Sie die GESAMTE Anleitung, um sich vor dem Betrieb mit den Funktionen des Geräts vertraut zu machen.

Verwenden Sie es nicht mit inkompatiblen Komponenten und verändern Sie das Produkt auf keine Weise, die nicht in den von Yuneec bereitgestellten Anweisungen beschrieben ist.

Wenn das Gerät nicht wie im Benutzerhandbuch beschrieben verwendet wird, kann dies zu Schäden am Produkt, Sachschäden und/oder schweren Verletzungen führen. Dieses Produkt ist kein Spielzeug!

Wenn dieses Produkt nicht auf die in der Bedienungsanleitung beschriebene Weise verwendet wird, kann dies zu Produkt- oder Sachschäden und/oder schweren Verletzungen führen. Dieses Produkt ist kein Spielzeug!

## Sammeln und Verarbeiten von Daten

Aus Ihrer für Reparatur- und Wartungsdienste sowie andere Dienstleistungen an unser Servicezentrum gelieferten Drohne können wir außerdem Depth-Map-Informationen und Infrarotbildinformationen sammeln.

Wir sammeln darüber hinaus persönliche Informationen, die bei der Registrierung angegeben wurden, sofern

Sie sich dafür entschieden haben, ein registrierter Nutzer zu werden, sowie alle weiteren Informationen, die der Nutzer Yuneec zur Verfügung stellt. Wir können auch Informationen sammeln, die der Nutzer an andere Nutzer sendet, sowie die Empfänger und Absender dieser Informationen.

Eine solche Offenlegung ist für die Einhaltung der geltenden Gesetze notwendig, beispielsweise als Reaktion auf einen Gerichtsbeschluss, eine gerichtliche Vorladung, Haftbefehl oder Anfrage von der Regierung, bzw. für anderweitige Kooperation mit Regierungsbehörden oder Strafverfolgungsbehörden.

Wir behalten uns ebenfalls das Recht vor, Ihre Informationen offenzulegen, wenn wir in gutem Glauben annehmen, dass dies in folgenden Fällen notwendig oder angebracht ist: (i) um uns selbst und andere vor betrügerischen, ungesetzlichen oder missbräuchlichen Aktivitäten zu schützen; (ii) um Vorkehrungen gegen eine mögliche Haftung zu treffen; (iii) um die Sicherheit der Yuneec Apps zu schützen, die in Ihre Drohne und zugehörige Ausrüstung und Services eingebettet sind bzw. darauf heruntergeladen werden; (iv) um die gesetzlichen Rechte von uns und anderen zu schützen.

Jegliche von uns gesammelten Informationen können im Rahmen einer möglichen Fusion, eines Erwerbs, einer Fremdfinanzierung und anderer Aktivitäten, welche die Übergabe von Geschäftsaktiva beinhalten, gegenüber einem Käufer, Nachfolger oder Abtretungsempfänger offengelegt oder an diese übergeben werden.

Wir können die kumulierten, nicht persönlichen Informationen der Nutzer für verschiedene Zwecke Drittparteien zur Verfügung stellen. Dazu gehören (i) Einhaltung verschiedener Berichtserstellungsverpflichtungen; (ii) Marketingaktivitäten; (iii) Analyse der Produktsicherheit; (iv) Verständnis und Analyse der Interessen, des Verhaltens und der Nutzungsmuster unserer Kunden für verschiedene Funktionen, Dienste, Inhalte usw.

## **Haftungsausschluss**

Yuneec International (China) Co., Ltd. kann nicht für Schäden, Verletzungen oder die Verwendung des Produktes bei der Verletzung gesetzlicher Regelungen haftbar gemacht werden, insbesondere nicht unter folgenden Umständen: Sach- und/oder Personenschäden und dem Verstoß gegen gesetzliche Bestimmungen, die sich aus einer Nichteinhaltung der Bedienungsanleitung oder der Anweisungen unter [www.yuneec.com](http://www.yuneec.com), der Produktinformationen, des Benutzerhandbuchs und anderer rechtlich verbindlicher Informationen ergeben.

Sach- und/oder Personenschäden sowie die Verletzung gesetzlicher Regelungen, die durch den Einfluss von Alkohol, Drogen, Medikamenten oder anderen Narkotika entstanden sind, die die Konzentration des Nutzers beeinträchtigen könnten.

Gleiches gilt für Krankheiten, die die Konzentration des Nutzers beeinträchtigen (Schwindel, Müdigkeit, Übelkeit usw.) oder andere Faktoren, die die geistigen und physischen Fähigkeiten beeinträchtigen.

Absichtlich verursachte Schäden, Verletzungen oder Verletzung gesetzlicher Regelungen.

Jegliche Entschädigungsforderungen, die ihren Ursprung in einem Unfall haben, der durch die Verwendung des Produkts verursacht wurde.

Sach- und/oder Personenschäden sowie Verstoß gegen gesetzliche Bestimmungen, die durch die Verwendung des Produkts in einer Flugverbotszone verursacht wurden, zum Beispiel in der Nähe eines Flugplatzes, über einer Autobahn oder einem Naturschutzgebiet.

Ein Ausfall des Produkts verursacht durch den Umbau von oder Austausch mit Komponenten, die nicht von Yuneec stammen.

Sach- und/oder Personenschäden, die durch die Verwendung von replizierten Teilen (keine Original-Ersatzteile) verursacht wurden.

Sach- und/oder Personenschäden sowie Verletzung gesetzlicher Regelungen, die durch falsche Bedienung und Fehleinschätzungen verursacht wurden. Sach- und/oder Personenschäden, die durch die Verwendung beschädigter Ersatzteile oder die Nichtverwendung von originalen Yuneec-Ersatzteilen verursacht wurden.

Sach- und/oder Personenschäden sowie Verletzung gesetzlicher Regelungen, die durch das Ignorieren der Warnung für niedrigen Batteriestand verursacht wurden.

Sach- und/oder Personenschäden sowie Verstoß gegen gesetzliche Bestimmungen, die durch den Betrieb des Modells in einem Magnetfeld (z. B. Hochspannungsleitungen, Elektro-/Transformatorstationen, Funktürme, Mobilfunkmasten usw.), einer Umgebung mit starken Drahtlossignalen, Flugverbotszonen, schlechter Sicht verursacht wurden sowie im Falle von Sehbehinderungen oder anderen Einflüssen auf den Piloten, gegen die nichts unternommen wurde usw.

Sach- und/oder Personenschäden, die aus der Verletzung der gesetzlichen Regelungen für den Betrieb des Modells resultieren sowie aus dem Betrieb in ungeeigneten Wetterbedingungen wie zum Beispiel Regen, Wind, Schnee, Hagel, Sturm, Wirbelsturm usw.

Sach- und/oder Personenschäden sowie Verletzung gesetzlicher Regelungen, die durch höhere Gewalt verursacht wurden wie zum Beispiel Kollision, Feuer, Explosion, Hochwasser, Tsunami, Erdbeben, Lawine, Erdbeben oder andere Naturgewalten.

Sach- und/oder Personenschäden sowie Verletzung gesetzlicher Regelungen, die durch illegale und unmoralische Verwendung des Modells verursacht wurden, wie zum Beispiel das Aufnehmen von Videos oder das Erfassen von Daten, das die Privatsphäre von anderen Menschen beeinträchtigt/verletzt.

Sach- und/oder Personenschäden sowie Verletzung gesetzlicher Regelungen, die durch falsche Verwendung der Batterien, der Schutzeinrichtungen, des Ladegeräts oder des Fluggerätes verursacht wurden.

Folgeschäden, die sich aus der falschen Bedienung irgendeiner Systemkomponente oder Zubehörteils ergeben, insbesondere der Speicherkarten, wobei Bild- oder Videomaterial aus der Kamera beschädigt werden kann.

Jegliche Nichteinhaltung gesetzlicher Verpflichtungen, Personenschäden, Sachschäden und Umweltschäden, die sich aus der Verwendung und der Nichteinhaltung lokaler Gesetze und Regelungen ergeben.

Sach- und/oder Personenschäden sowie Verletzung gesetzlicher Regelungen, die durch gefährlichen Verwendung ohne ausreichende praktische Erfahrung verursacht wurden.

Sach- und/oder Personenschäden sowie Verletzung gesetzlicher Regelungen, die durch das Fliegen in gesetzlich festgelegten Flugverbotszonen verursacht wurden. Weitere Schäden, die nicht unter den Nutzungsumfang fallen, der von Yuneec als falsch definiert wurde.

Dieses Produkt wurde sowohl für die professionelle als auch für die persönliche, private Nutzung entwickelt. Es müssen die jeweiligen zum Startzeitpunkt geltenden nationalen und internationalen Gesetze und Vorschriften eingehalten werden.

## Informationen zu Vorschriften

### FCC-Erklärung

Dieses Gerät wurde geprüft und entspricht den Grenzwerten von Teil 15 der FCC-Bestimmungen. Diese Grenzwerte wurden bestimmt, um einen ausreichenden Schutz vor Interferenzen zu bieten, wenn das Gerät in Wohnbereichen betrieben wird. Das Gerät erzeugt und benutzt Funkfrequenzenergie und kann solche abstrahlen, und kann, falls es nicht gemäß den Anweisungen installiert und verwendet wird, Störungen der Funkkommunikation verursachen. Es kann jedoch nicht garantiert werden, dass in einer bestimmten Installation keine Interferenzen auftreten. Falls dieses Gerät Störungen beim Funk- oder Fernsehempfang verursacht – dieses kann durch Ein- und Ausschalten des Gerätes ermittelt werden – wird der Nutzer aufgefordert, die Störung mittels einer oder mehr der folgenden Maßnahmen zu beheben:

- Ausrichtung oder Lage der Empfangsantenne ändern.
- Den Abstand zwischen dem Gerät und dem Empfänger vergrößern.
- Das Gerät an einen anderen Stromkreis als den des Empfängers anschließen.
- Wenden Sie sich an den Händler oder einen erfahrenen Radio-/Fernsehtechniker für weitere Hilfe.

Dieses Gerät entspricht Teil 15 der FCC-Bestimmungen. Der Betrieb unterliegt folgenden zwei Bedingungen:

(1) Das Gerät darf keine Interferenzen verursachen und (2) das Gerät muss unanfällig gegenüber etwaigen empfangenen Störungen sein, einschließlich solcher, die einen unerwünschten Betrieb verursachen können.

### Strahlenbelastungswarnung

Dieses Gerät muss entsprechend den beiliegenden Anweisungen installiert und betrieben werden und die Antenne/n, die für diesen Sender verwendet wird/werden, muss/müssen so installiert werden, dass ein Abstand von mindestens 20 cm zu allen Personen eingehalten wird, und sie darf/dürfen nicht zusammen mit einer anderen Antenne oder einem Sender aufgestellt oder betrieben werden. Endbenutzern und Installateuren müssen die Antennen-Aufstellungsanweisungen und die Sender-Betriebsbedingungen zur Einhaltung der Richtlinien zur Strahlenbelastung zur Verfügung gestellt werden.

### IC-Strahlenbelastungserklärung für Kanada

Dieses Gerät entspricht der/den lizenzbefreiten RSS-Norm/en von Industry Canada. Der Betrieb unterliegt folgenden zwei Bedingungen: (1) Das Gerät darf keine Interferenzen verursachen und (2) das Gerät muss

unanfällig gegenüber etwaigen empfangenen Störungen sein, einschließlich solcher, die einen unerwünschten Betrieb des Geräts verursachen können. Le présent appareil est conforme aux CNR d'Industrie Canada applicables aux appareils radio exempts de licence. L'exploitation est autorisée aux deux conditions suivantes : (1) l'appareil ne doit pas produire de brouillage, et (2) l'utilisateur de l'appareil doit accepter tout brouillage radioélectrique subi, même si le brouillage est susceptible d'en compromettre le fonctionnement. Dieses Gerät entspricht dem Strahlungsgrenzwert der IC RSS-102, der für eine unkontrollierte Umgebung festgelegt wurde. Cet équipement respecte les limites d'exposition aux rayonnements IC définies pour un environnement non contrôlé

### **NCC-Warnmitteilung**

\*本產經品型符合認低證功合率格電之波低輻功射率性射電頻機電管機理,辦非法經第許十可二,條公司~ 第、十商四號條或等使條用文者規均定不: 得擅自變更頻率、加大功率或變更原設  
\*計低之功特率性射及功頻能電。機之使用不得影響飛航安全及干擾合法通信, 經發現有干擾現象時, 應立即停用, 並改善至無干擾  
時前方項得合繼續通使用,。指依電信法規定作業之無線電通信。低功率射頻電機須忍受合法通信或工業、科學及醫療用電波輻

### **CE-Warnmitteilung**

Dieses Gerät entspricht den EU-Anforderungen zur Einschränkung der Belastung der Allgemeinheit durch elektromagnetische Felder für den Gesundheitsschutz.  
EU-Betriebsfrequenz (die maximale Sendeleistung)  
5G Wifi: 5560 – 5580 MHz (27 dBm), 5680 – 5700 MHz (27 dBm)  
EU-Konformitätserklärung  
Yuneec International (China) Co., Ltd. erklärt hiermit, dass dieses Gerät den wesentlichen Anforderungen sowie weiteren einschlägigen Regelungen der RED-Richtlinie 2014/53/EU entspricht. Der vollständige Text der EU-Konformitätserklärung steht unter folgender Internetadresse zur Verfügung: [www.yuneec.com](http://www.yuneec.com).  
Bitte besuchen Sie oben genannte Adresse und navigieren Sie zur entsprechenden Produktseite.

# Kundendienst

## Hersteller:

### **Yunee International (China) Co., Ltd.**

Address: East Zhengwei Road No.388, Jinxi Town, Kunshan City, Jiangsu Province, China

## Händler:

### **CN: Yunee International (China) Co., Ltd.**

Address: East Zhengwei Road No.388, Jinxi Town, Kunshan City, Jiangsu Province, China

Tel.: +86 400 8207 506

saleschina@yunee.com

### **US: Yunee USA Inc**

Address: 9227 Haven Ave, Suite 210 Rancho Cucamonga, CA 91730, USA

Customer Support: +1 844 390 3363

Order Support: +1 844 390 3366

### **EU: Yunee Europe GmbH**

Address: Nikolaus-Otto-Strasse 4, 24568 Kaltenkirchen, Germany

Tel.: +49 4191 932620

eucs@yunee.com

### **UK: YUNEEC UK**

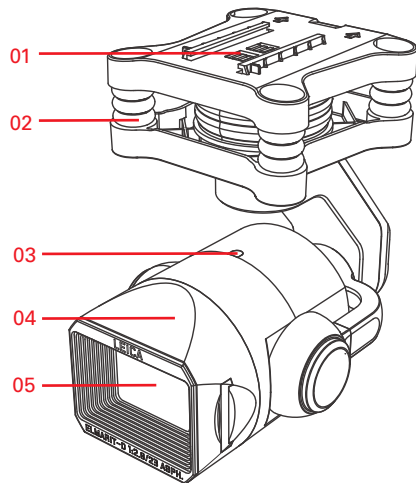
Address: 181 Victoria Road, Barnet, Hertfordshire EN4 9PA, UK

Tel.: +44(0) 208 449 4321

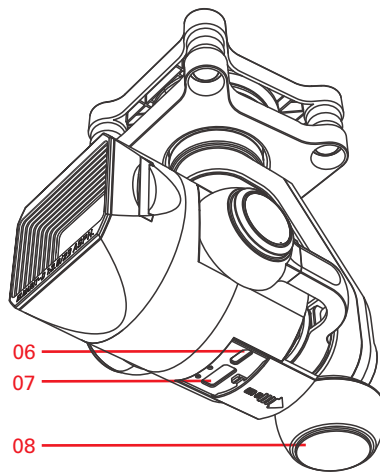
info@yunee.uk

## Introduction et vue d'ensemble

FR



- 01 Broche de connexion
- 02 Plaque d'amortissement
- 03 Témoin d'état LED
- 04 Caméra
- 05 Objectif de la caméra



- 06 Port USB
- 07 Port micro SD
- 08 Antenne 5GHz

## Spécifications

### Ensemble

Produit : caméra à stabilisateur à 3 axes  
Nom du modèle : ION L1 PRO  
Dimensions : 5,1x3,1x5,1 inch (129x80x130 mm)  
Poids : 13,2 oz (375 g)

### Caméra

Distance focale équivalente : 23 mm f/2.8  
FOV : 91°  
Capteur d'image : CMOS  
Dimensions du capteur d'image :  
1 pouce (13,2 x 8,8 mm)  
Pixels effectifs : 20 MP  
Modes opératoires : capture, enregistrement  
Formats photo : JPG, DNG, DNG+JPG  
Formats d'enregistrement vidéo : MP4  
Résolution vidéo :  
4 K : 4096x2160  
H264 : 24/25/30/48/50/60fps  
H265 : 24/25/30fps  
UHD : 3840x2160  
H264 : 24/25/30/48/50/60fps  
H265 : 24/25/30fps  
2720x1530 24/25/30/48/50/60fps  
FHD : 1920x1080 24/25/30/48/50/60/120fps  
HD : 1280x720 24/25/30/48/50/60/120fps  
Résolution photo :  
3:2 5472x3648  
4:3 4864x3648  
16:9 5472x3080

Mode d'exposition : auto, manuel, semi-Auto  
Valeurs d'exposition : 3,0  
ISO : 100-6400  
Obturation électronique : 4s --- 1/8000s

Modes de mesure :  
mesure spot, mesure centrale pondérée, mesure moyenne

Mode photo : simple, Rafale (3/5/7),  
intervalle (2S,3S,5S,7S,10S,15S,20S,30S,60S),  
AEB ( ±0,3, ±0,7 ), panoramique (Horizon, Sphère)

Équilibre des blancs :  
auto, bloqué, lumière du jour, nuageux, ombre,  
incandescent, lever du soleil, personnalisé  
(2000K-12000K)

### Stabilisateur

Nombre de canaux : 3  
Précision de l'angle de contrôle : ±0,02°  
Plage maximale de contrôle (inclinaison) :  
- Mode Angle : entre 0° et -90°  
- Mode Velocity : entre 30° et -90°  
Plage maximale de contrôle (orientation) : 360°  
Vitesse illimitée de contrôle maximal :  
- inclinaison : 30°/s  
- orientation : 120°/s  
Système de transmission : 5,2 GHz - 5,8 GHz



## Installation du stabilisateur

### Montage

#### Étape 1

Trouvez la flèche imprimée sur la plaque d'amortissement qui indique le bon sens de montage.

#### Étape 2

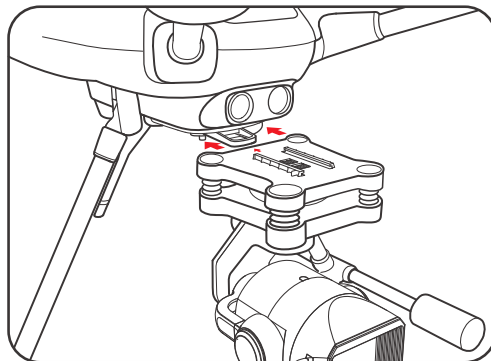
Faites coulisser l'ION L1 PRO dans la fente de montage jusqu'à ce que ce dernier soit sécurisé par le clip de fixation.

#### Étape 3

Retirez la protection de la lentille.

#### Étape 4

Insérez la micro carte SD.



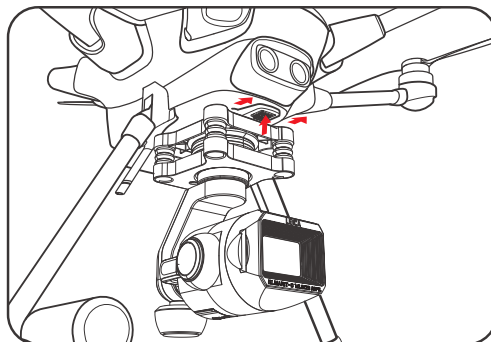
### Démontage

#### Étape 1

Trouvez le clip de fixation situé à l'avant de la fente de montage.

#### Étape 2

Appuyez et maintenez le clip de fixation, poussez l'ION L1 PRO vers l'avant (dans la direction indiquée par la flèche).





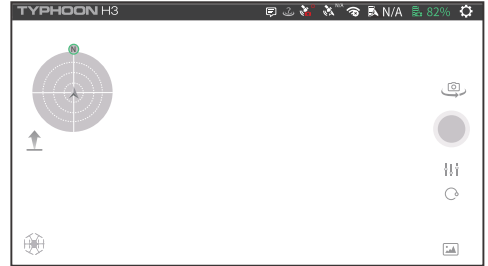
## Appairage d'ION L1 PRO et de TYPHOON H3

### Étape 1

Mettez en marche la ST16S, puis le drone.

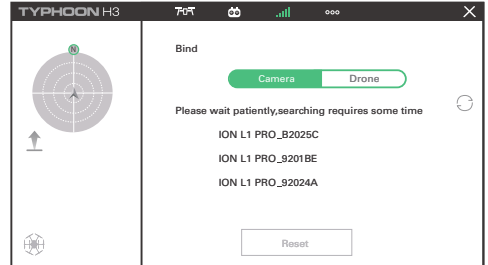
### Étape 2

Appuyez sur [  ] dans le coin supérieur droit de l'interface principale de la ST16S, puis appuyez sur [  ] dans l'interface de basculement.



### Étape 3

Entrez le numéro de série de l'ION L1 PRO lorsque la fenêtre suivante s'affiche. Si plusieurs UAS Yuneec sont utilisés, vérifiez le numéro d'identification sur le côté de chaque caméra pour garantir une sélection/un appairage correct(e) de la caméra.

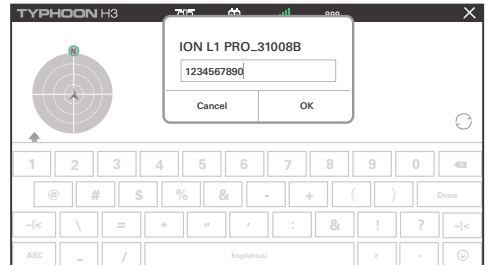


### Étape 4

Utilisez le mot de passe « 1234567890 », autorisez l'appairage de la caméra et appuyez sur « OK » pour confirmer.

## REMARQUE

Si le processus de connexion est ralenti, fermez la fenêtre contextuelle et répétez les étapes susmentionnées.



## REMARQUE

1. Assurez-vous que la version du microprogramme du stabilisateur est la plus actuelle.
2. Pour connaître les dernières mises à jour de nos produits, visitez notre site internet officiel : [www.yuneec.com](http://www.yuneec.com).

## ATTENTION

N'exposez pas la lentille de l'ION L1 PRO à stabilisateur à des sources de lumière très vive !  
N'utilisez pas la caméra à stabilisateur ION L1 PRO sous la pluie ou dans des environnements très humides !  
Ne touchez ou ne déplacez pas la caméra ION L1 PRO à stabilisateur jusqu'à ce que le processus d'initialisation soit terminé !  
N'essayez pas de réparer la caméra à stabilisateur ION L1 PRO par vous-même ! Les réparations doivent être effectuées dans un centre de service agréé.

**Les termes techniques suivants sont utilisés dans la documentation du produit afin d'indiquer différents niveaux de danger pouvant survenir au cours de son utilisation :**

### REMARQUE

Si les procédures ne sont pas correctement appliquées, cela peut entraîner des dommages matériels et/ou des blessures mineures.

### ATTENTION

Si les procédures ne sont pas correctement appliquées, cela peut entraîner des dommages matériels et/ou des blessures graves.

### ATTENTION

Si les procédures ne sont pas correctement appliquées, cela peut entraîner des dommages matériels, des dommages collatéraux et/ou des blessures graves, ou une grande probabilité de blessures superficielles.

### ATTENTION

Lisez TOUT le manuel d'instructions afin de vous familiariser avec les caractéristiques du produit avant toute utilisation.

Ne pas utiliser de composants incompatibles ni transformer ce produit de quelque manière que ce soit en dehors des instructions fournies par Yuneec.

L'utilisation non conforme de ce produit tel que décrit dans le manuel d'instructions peut endommager le produit, causer des dommages matériels, et/ou des blessures graves. Ce produit n'est pas un jouet !

## Collecte et traitement des données

Nous pouvons également collecter des informations de la carte de profondeur et de l'image infrarouge de votre drone qui seront envoyées à notre service après-vente pour des besoins de dépannage, de maintenance et

autres.

Il est également possible que nous collectons des informations personnelles fournies dans le cadre de votre enregistrement, si vous décidez d'être un utilisateur enregistré, et toutes autres informations utilisateur fournies à Yuneec. Nous pouvons aussi collecter des informations que des utilisateurs envoient à d'autres utilisateurs, et, sur les destinataires et les émetteurs de telles informations.

Une telle divulgation est requise pour nous conformer aux lois applicables, par exemple en réponse à une ordonnance du tribunal, une assignation judiciaire, un mandat, une demande du gouvernement, ou d'autres agences gouvernementales ou autorités policières.

Nous nous réservons également le droit de divulguer vos informations si nous jugeons, en toute bonne foi, que cela est nécessaire ou approprié afin de : (i) nous protéger ou protéger d'autres personnes contre des activités frauduleuses, illégales, ou abusives ; (ii) nous prémunir d'une potentielle mise en cause de responsabilité ; (iii) protéger la sécurité des applications Yuneec intégrées ou téléchargées sur votre drone ou tout autre équipement ou service associé ; (iv) protéger nos droits légaux et ceux d'autres personnes.

Toute information que nous avons collectée pourrait être divulguée ou transférée à un acquéreur, successeur, cessionnaire dans le cadre d'une potentielle fusion, acquisition, d'un financement par emprunt, ou d'autres activités qui incluent le transfert d'actifs.

Nous pouvons mettre des informations générales et non personnelles d'utilisateurs à disposition de parties tierces pour différentes raisons, y compris pour (i) se conformer à diverses obligations de rapport ; (ii) des actions marketing ; (iii) l'analyse de la sécurité des produits ; (iv) la compréhension et l'analyse des intérêts et des habitudes des utilisateurs, les schémas d'utilisation de certaines fonctionnalités, services, contenus, etc.

## **Clause de non-responsabilité**

Yuneec International (China) Co., Ltd. ne sera pas tenu pour responsable de tout dommage, de toute blessure, ou de toute utilisation du produit allant à l'encontre des réglementations légales, particulièrement dans les circonstances suivantes : dommages et/ou blessures, ainsi que la violation des réglementations légales résultant du non respect des instructions de service ou de celles disponibles sur [www.yuneec.com](http://www.yuneec.com), des informations sur le produit, du manuel d'utilisation, et d'autres informations juridiquement contraignantes.

Les dommages et/ou les blessures, ainsi que la violation des réglementations légales survenus sous l'influence de l'alcool, des drogues, de médicaments, ou d'autres narcotiques pouvant avoir un impact sur la concentration de l'utilisateur.

Ceci concerne également les maladies affectant la concentration de l'utilisateur (vertiges, fatigue, nausées, etc.) ou d'autres facteurs compromettant ses facultés mentales et physiques.

Les dommages, blessures, la violation des réglementations légales intentionnels.

Toute demande de compensation pour un accident résultant de l'utilisation du produit.

Les dommages et/ou les blessures, ainsi que la violation de réglementations légales causés par l'utilisation du produit dans une zone d'exclusion aérienne, par ex. à proximité d'un terrain d'aviation, au-dessus d'une autoroute, ou dans une zone de conservation naturelle.

Dysfonctionnement du produit causé par le reconditionnement ou le remplacement de pièces ne venant pas de Yuneec.

Les dommages et/ou les blessures causés par des répliques (pièces n'étant pas d'origine).

les dommages et/ou les blessures, ainsi que la violation de réglementations légales causés par une utilisation incorrecte ou une erreur de jugement. les dommages et/ou les blessures causés par des pièces détachées endommagées ou la non utilisation de pièces d'origine Yuneec.

Les dommages et/ou les blessures, ainsi que la violation de réglementations légales causés par l'omission de prêter attention au signal de batterie faible.

Les dommages et/ou les blessures, ainsi que la violation de réglementations légales causés par l'utilisation du modèle dans un champ magnétique (par ex. lignes haute tension, stations électriques/postes de transformation, tours de radio, tours de téléphonie mobile, etc.), un environnement au signal sans fil très fort, des zones d'exclusion aérienne, une mauvaise visibilité, et en cas de déficience visuelle ou d'autres influences du pilote qui ne sont pas contrôlées, etc.

Les dommages et/ou blessures résultant de la violation des réglementations légales par l'utilisation du modèle dans des conditions climatiques non appropriées, par ex. la pluie, le vent, la neige, les tempêtes, les ouragans, etc.

Les dommages et/ou les blessures, ainsi que la violation de réglementations légales causés par une force majeure, par ex, une collision, une explosion, une inondation, un tsunami, un glissement de terrain, une avalanche, un tremblement de terre, et d'autres forces de la nature.

Les dommages et/ou les blessures, ainsi que la violation de réglementations légales causés par une utilisation illégale du modèle, par ex. l'enregistrement de vidéos ou de données qui violent la vie privée d'autres personnes.

Les dommages et/ou les blessures, ainsi que la violation de réglementations légales causés par l'usage incorrect des batteries, des systèmes de protection, des chargeurs ou des drones.

Les dommages consécutifs causés par une utilisation incorrecte de tout composant du système et de pièces accessoires, particulièrement les cartes mémoire, qui entraîneraient la détérioration des images ou des vidéos de la caméra.

Toute violation des obligations légales, les blessures, dommages matériaux et environnementaux causés par l'utilisation de l'appareil, ainsi que le non respect des lois et réglementations locales.

les dommages et/ou les blessures, ainsi que la violation de réglementations légales causés par une utilisation incorrecte ou une erreur de jugement.

les dommages et/ou les blessures, ainsi que la violation de réglementations légales causés par une utilisation dans des zones légalement définies comme zones d'exclusion aérienne. autres dommages qui n'entrent pas

dans le champ d'application défini par Yuneec comme inapproprié.

Ce produit est destiné à un usage professionnel, personnel et privé. Les lois et réglementations nationales et internationales en vigueur au moment du décollage doivent être respectées.

## Information sur la réglementation

### Déclaration FCC

Cet équipement a été testé et déclaré conforme aux limites de la partie 15 de la réglementation FCC. Ces limites sont conçues pour assurer une protection raisonnable contre les interférences nocives dans une installation résidentielle. Cet équipement génère, utilise, et peut émettre de l'énergie radioélectrique et, s'il n'est pas installé et utilisé conformément aux instructions, peut entraîner des interférences nuisibles aux communications radio. Toutefois, il n'est pas garanti qu'aucune interférence ne se produira dans une installation particulière. Si cet équipement cause des interférences nuisibles à la réception de la radio ou de la télévision, ce que l'on peut déterminer en éteignant et en allumant l'équipement, l'utilisateur est invité à essayer de corriger ces interférences en appliquant une ou plusieurs des mesures suivantes :

- réorienter ou déplacer l'antenne réceptrice.
- augmenter la distance entre l'équipement et le récepteur.
- brancher l'équipement sur un circuit électrique différent de celui sur lequel le récepteur est branché.
- consulter le vendeur ou un technicien radio/TV expérimenté.

Cet appareil est conforme à la partie 15 de la réglementation FCC. Son utilisation est soumise aux deux conditions suivantes :

(1) cet appareil ne doit pas générer d'interférences nuisibles, et, (2) cet appareil doit accepter toutes les interférences reçues, y compris les interférences susceptibles de provoquer un fonctionnement non souhaité.

### Avertissement sur l'exposition aux RF

Cet équipement doit être installé et utilisé conformément aux instructions fournies ; l'antenne ou les antennes utilisée(s) par le transmetteur doit/doivent être installée(s) de façon à assurer une distance de séparation d'au moins 20 cm avec les personnes. En outre, elle(s) ne doit/doivent pas être installée(s) ou utilisée(s) en conjonction avec d'autres antennes ou transmetteurs. Les utilisateurs finaux et les installateurs doivent disposer des instructions d'installation des antennes et des conditions d'utilisation du transmetteur pour satisfaire aux normes d'exposition aux RF.

### Déclaration IC sur l'exposition aux radiations pour le Canada

Cet appareil est conforme aux normes RSS exemptes de licence d'Industrie Canada. Son utilisation est assujettie aux deux conditions suivantes : (1) cet appareil ne doit pas générer d'interférences, et (2) cet appareil doit

accepter toutes les interférences reçues, y compris les interférences susceptibles de provoquer un fonctionnement non souhaité. Cet équipement est conforme à la limite d'exposition aux radiations IC RSS-102 définie pour un environnement non contrôlé.

### **Avertissement NCC**

\*本產經品型符式合認低證功合率格電之波低輻功射率性射電頻機電管機理,辦非法經第許十可二,條公司~第、十商四號條或等使條用文者規均定不:得擅自變更頻率、加大功率或變更原設

\*計低之功特率性射及功頻能電。機之使用不得影響飛航安全及干擾合法通信,經發現有干擾現象時,應立即停用,並改善至無干擾

時前方項得合繼續通使信用,。指依電信法規定作業之無線電通信。低功率射頻電機須忍受合法通信或工業、科學及醫療用電波輻

### **Avertissement CE**

L'appareil est conforme aux exigences UE sur la limitation d'exposition du public général aux champs électromagnétiques pour protéger la santé.

Fréquence de fonctionnement UE (puissance maximale transmise)

5G Wi-Fi : 5 560-5 580 MHz (27 dBm), 5 680-5 700 MHz (27 dBm)

### **Déclaration de conformité UE**

Yunee International (China) Co., Ltd. déclare par la présente que cet appareil est conforme aux exigences essentielles et aux autres dispositions pertinentes de la directive RED 2014/53/UE. Le texte intégral de la déclaration de conformité UE est disponible sur le site internet suivant : [www.yunee.com](http://www.yunee.com).

Veuillez visiter le site susmentionné et accéder à la page du produit correspondant.

## **Service client**

### **Fabricant :**

#### **Yunee International (China) Co., Ltd.**

Address: East Zhengwei Road No.388, Jinxi Town, Kunshan City, Jiangsu Province, China

### **Distributeur :**

#### **CN: Yunee International (China) Co., Ltd.**

Address: East Zhengwei Road No.388, Jinxi Town, Kunshan City, Jiangsu Province, China

Tel.: +86 400 8207 506

saleschina@yunee.com

#### **US: Yunee USA Inc**

Address: 9227 Haven Ave, Suite 210 Rancho Cucamonga, CA 91730, USA

Customer Support: +1 844 390 3363

Order Support: +1 844 390 3366

#### **EU: Yunee Europe GmbH**

Address: Nikolaus-Otto-Strasse 4, 24568 Kaltenkirchen, Germany

Tel.: +49 4191 932620

eucs@yunee.com

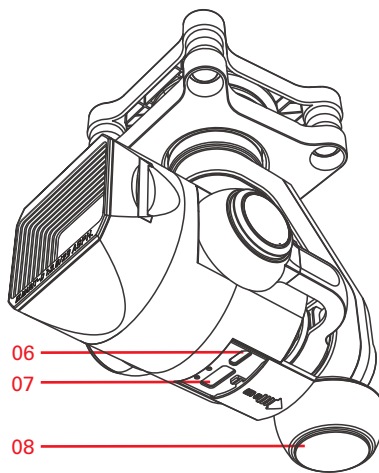
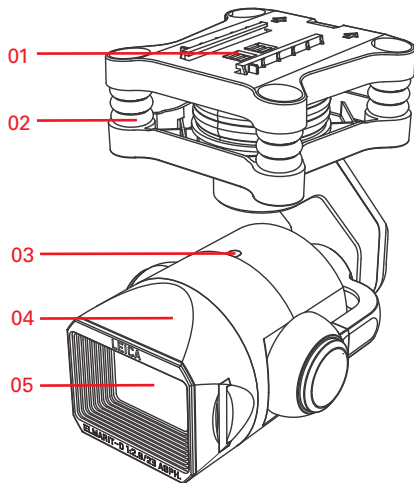
#### **UK: YUNEEC UK**

Address: 181 Victoria Road, Barnet, Hertfordshire EN4 9PA, UK

Tel.: +44(0) 208 449 4321

info@yunee.uk





- 01 Clavija de conexión
- 02 Placa de amortiguación
- 03 Indicador de estado led
- 04 Cámara
- 05 Lente de la cámara

- 06 Puerto USB
- 07 Puerto Micro SD
- 08 Antena de 5 GHz

## Presupuesto

### General

Producto: Cámara de cardán con 3 ejes  
Nombre del modelo: ION L1 PRO  
Dimensiones: 5,1 x 3,1 x 5,1 in (129 x 80 x 130 mm)  
Peso: 13,2 oz (375 g)

### Cámara

Distancia focal equivalente: 23 mm f/2.8  
Campo de visión (FOV): 91°  
Sensor de imagen: CMOS  
Tamaño del sensor de imagen: 1 in (13,2 x 8,8 mm)  
Píxeles reales: 20 MP  
Modos de funcionamiento: captura, grabación  
Formatos de fotografía: JPG, DNG, DNG+JPG  
Formatos de almacenamiento de vídeo: MP4  
Resolución de vídeo:  
4K: 4096X2160  
H264: 24/25/30/48/50/60fps  
H265: 24/25/30 fps  
UHD: 3840x2160  
H264: 24/25/30/48/50/60fps  
H265: 24/25/30 fps  
2720x1530 24/25/30/48/50/60 fps  
FHD: 1920x1080 24/25/30/48/50/60/120fps  
HD: 1280x720 24/25/30/48/50/60/120 fps  
Resolución de la fotografía:  
3:2 5472x3648  
4:3 4864x3648  
16:9 5472x3080

Modo de exposición: Automático, manual, semiautomático  
Valores de exposición:  $\pm 3.0$   
ISO: 100-6400  
Disparador electrónico: 4s --- 1/8000s

Modos de medición:  
Puntual, centrado, promedio

Modo fotografía: Individual, ráfaga (3/5/7), Intervalo (2S,3S,5S,7S,10S,15S,20S,30S,60S), AEB ( $\pm 0.3$ ,  $\pm 0.7$ ), panorámica (horizonte, esfera)

Balance de blancos:  
Automático, bloquear, luz diurna, nublado, sombra, Incandescente, amanecer, personalizado (2000K-12000K)

### Cardán

Número de ejes: 3  
Precisión del ángulo de control:  $\pm 0,02$   
Rango de control máximo (inclinación):  
- Modo de ángulo: entre 0° y -90°  
- Modo de velocidad: entre 30° y -90°  
Rango de control máximo (panorámica): 360°  
velocidad máxima de control ilimitada:  
- Inclinación: 30 °/s  
- Panorámica: 120 °/s  
Sistema de transmisión: 5,2 GHz - 5,8 GHz

## Instalación del cardán

### Montaje

#### Paso 1.

Busque la flecha impresa en la parte superior de la placa de amortiguación que indica la dirección correcta para la instalación.

#### Paso 2.

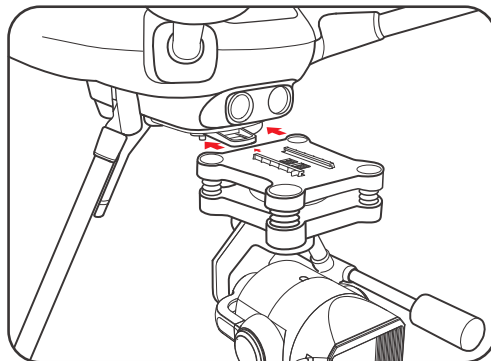
Deslice la ION L1 PRO hasta el tope de la ranura de montaje en la dirección indicada hasta que la ION L1 PRO quede asegurada por el clip de bloqueo.

#### Paso 3.

Retire el protector de la lente.

#### Paso 4.

Inserte la tarjeta micro SD.



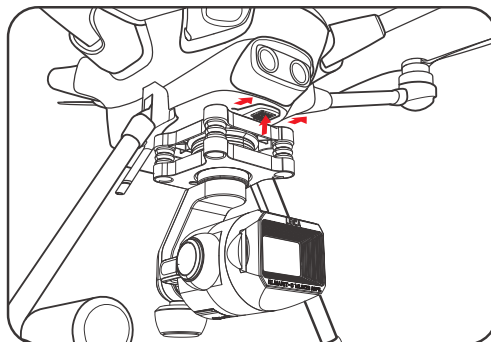
### Desmontar

#### Paso 1.

Encuentre el clip de bloqueo que se encuentra frente a la ranura de montaje.

#### Paso 2.

Mantenga presionado el clip de bloqueo y empuje la ION L1 PRO hacia delante (en la dirección que muestra la flecha).





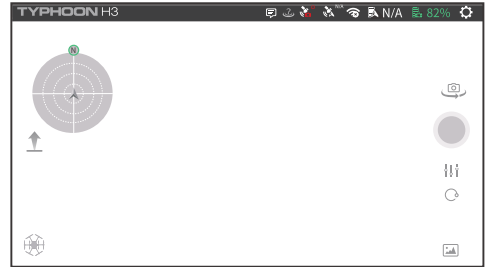
## Fijación de ION L1 PRO y TYPHOON H3

### Paso 1.

Encienda el ST16S seguido de la aeronave.

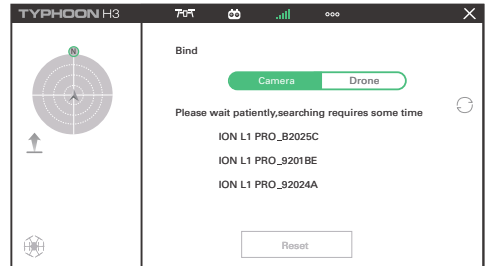
### Paso 2.

Toque [  ] en la esquina superior derecha de la interfaz principal de ST16S y, a continuación, toque [  ] en la interfaz de conmutación.



### Paso 3.

Toque el número de serie de la ION L1 PRO cuando aparezca la siguiente ventana. Si se están utilizando varios VANT de Yuneec, compruebe el número de identificación en el lateral de cada cámara para asegurar la selección/conexión de la cámara correcta.

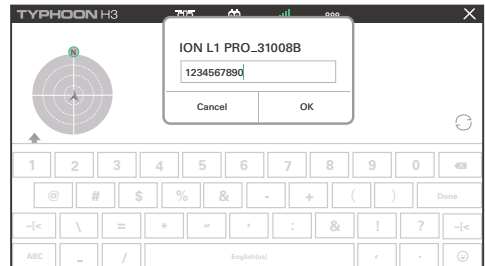


### Paso 4.

Utilice la contraseña "1234567890", autorice la cámara y toque en "Aceptar" para confirmar.

## ATENCIÓN

Si el proceso de conexión se retrasa, cierre la ventana emergente y, a continuación, repita los pasos más arriba.



## ATENCIÓN

1. Asegúrese de que el firmware del cardán se ha actualizado a la última versión.
2. Para obtener la información más reciente sobre el producto, consulte nuestro sitio web oficial: [www.yuneeec.com](http://www.yuneeec.com).

## ADVERTENCIA

- ¡No exponga el objetivo de la cámara ION L1 PRO a fuentes de luz extremas!
- ¡No utilice la cámara de cardán ION L1 PRO con lluvia o en entornos con humedad elevada!
- ¡No toque ni mueva la cámara de cardán ION L1 PRO hasta que se haya completado el proceso de inicialización!
- ¡No intente reparar la cámara de cardán ION L1 PRO por sí mismo! Las reparaciones deben hacerse en un centro de servicio autorizado.

**Los siguientes términos especiales del lenguaje se utilizan a lo largo de la literatura del producto para indicar varios niveles de daño potencial al utilizar este producto:**

**ATENCIÓN** Procedimientos que, si no se siguen correctamente, crean una posibilidad de daño a la propiedad y/o poca o ninguna posibilidad de lesión.

**PRECAUCIÓN** Procedimientos que, si no se siguen correctamente, crean la probabilidad de daño a la propiedad y/o la posibilidad de lesiones graves.

**ADVERTENCIA** Procedimientos que, si no se siguen correctamente, crean la probabilidad de daños a la propiedad, daños colaterales y/o lesiones graves o crean una alta probabilidad de lesión superficial.

## ADVERTENCIA

Lea el manual de instrucciones en su totalidad para familiarizarse con las características del producto antes de utilizarlo.

No lo utilice con componentes incompatibles ni altere este producto en forma alguna más allá de las instrucciones proporcionadas por Yuneec.

Si no se utiliza este producto para el fin previsto, tal y como se describe en el manual de instrucciones, esto puede derivar en daños al producto, a la propiedad y/o causar lesiones graves. ¡Este producto no es un juguete!

## Recopilación y procesamiento de datos

También podríamos recoger información de Depth Map e Infrared Image que se envía desde su dron a nuestro centro de servicio para llevar a cabo reparaciones, trabajos de mantenimiento o cualquier otro servicio.

También podemos recoger información personal utilizada durante el registro si elige convertirse en un usuario registrado y cualquier otra información que el usuario proporcione a Yuneec. También podemos recoger información que el usuario envíe a otros usuarios, así como los destinatarios y remitentes de dicha información. Dicha divulgación es necesaria para cumplir con las leyes aplicables, por ejemplo, en respuesta a una orden

judicial, una citación judicial, una orden o solicitud del gobierno, o para cooperar de alguna otra manera con las agencias gubernamentales o con la aplicación de la ley.

Además, nos reservamos el derecho a revelar su información si creemos de buena fe que es necesario o adecuado para: (i) protegernos a nosotros y a otros de actividades fraudulentas, ilegales o abusivas; (ii) tomar precauciones frente a posibles responsabilidades; (iii) proteger la seguridad de las aplicaciones Yuneec integradas o descargadas a su dron, o de cualquier otro equipo o servicio asociado; (iv) proteger nuestros derechos legales o los de cualquier otra persona.

Cualquier información que hayamos recogido puede ser revelada o transferida a un comprador, sucesor o cesionario como parte de una posible fusión, adquisición, financiamiento de deuda u otras actividades que impliquen la transferencia de activos comerciales.

Podemos poner a disposición de terceros la información agregada no personal de los usuarios para diversos fines, que incluyen (i) el cumplimiento de varias obligaciones de notificación; (ii) esfuerzos de marketing; (iii) analizar la seguridad del producto; (iv) comprender y analizar los intereses, hábitos y patrones de uso de nuestros usuarios para determinadas funcionalidades, servicios, contenidos, etc.

## **Descargo de responsabilidad**

Yuneec International (China) Co., Ltd. no se hace responsable de ningún daño, lesión o uso del producto en caso de infracción de las normativas legales, especialmente en las siguientes circunstancias: daños y/o lesiones, así como una infracción de las normativas legales, que resulten de un incumplimiento de las instrucciones de funcionamiento o las instrucciones en [www.yuneec.com](http://www.yuneec.com), la información del producto, el manual del usuario y otra información legalmente vinculante.

Daños y/o lesiones, así como la infracción de las normativas legales, ocasionados por la influencia del alcohol, drogas, medicamentos u otros narcóticos que puedan afectar a la concentración del usuario.

Lo mismo se aplica a las enfermedades que afecten a la concentración del usuario (mareos, cansancio, náuseas, etc.) u otros factores que comprometan las capacidades mentales y físicas.

Daño, lesión o infracción intencional de las normativas legales.

Cualquier solicitud de compensación causada por un accidente como resultado del uso del producto.

Daños y/o lesiones, así como la infracción de las normativas legales, causados por el uso del producto en una zona de exclusión aérea, p. ej., al lado de un aeródromo, sobre una autopista o un área de conservación natural.

Mal funcionamiento del producto causado por la modificación o reemplazo con componentes que no provengan de Yuneec.

Daños y/o lesiones causados por el uso de piezas de réplica (piezas no originales).

Daños y/o lesiones, así como la infracción de las normativas legales, causados por un uso incorrecto o error de juicio. Daños y/o lesiones causados por piezas de repuesto dañadas o por no utilizar piezas de repuesto

originales de Yuneec.

Daños y/o lesiones, así como la infracción de las normativas legales, causados por ignorar la advertencia de nivel de batería bajo.

Daños y/o lesiones, así como la infracción de las normativas legales, causados por el uso del modelo en un campo magnético (p. ej., líneas de alta tensión, estaciones eléctricas/de transformadores, torres de radio, postes de telefonía móvil, etc.), un entorno con señales inalámbricas fuertes, zonas de exclusión aérea, poca visibilidad y, en caso de problemas de visión u otro tipo de afecciones del piloto que no se hayan tenido en cuenta, etc.

Daños y/o lesiones provocados por una infracción de las normativas legales para utilizar el modelo en condiciones climáticas inadecuadas, p. ej., lluvia, viento, nieve, granizo, tormentas, huracanes, etc.

Daños y/o lesiones, así como la infracción de las normativas legales, causados por fuerza mayor, p. ej., colisión, incendio, explosión, inundación, tsunami, deslizamientos de tierras, avalancha, terremoto u otras fuerzas de la naturaleza.

Daños y/o lesiones, así como la infracción de las normativas legales, causados por el uso ilegal o inmoral del modelo, p. ej., capturar vídeos o grabar datos que infrinjan/perjudiquen la privacidad de otras personas.

Daños y/o lesiones, así como la infracción de las normativas legales, causados por el uso incorrecto de las baterías, los sistemas de protección, los cargadores o las aeronaves.

Daño causado como consecuencia del uso incorrecto de cualquier tipo de componentes del sistema y piezas accesorias, especialmente tarjetas de memoria, por lo que la imagen o el material de vídeo de la cámara pueden pasar a ser defectuosos.

Cualquier tipo de incumplimiento de las obligaciones legales, lesiones personales, daños materiales y daños medioambientales causados por el uso y por el incumplimiento de las leyes y normativas locales.

Daños y/o lesiones, así como la infracción de las normativas legales, causados por un uso peligroso sin suficiente experiencia práctica.

Daños y/o lesiones, así como la infracción de las normativas legales, causados por volar en zonas de exclusión aérea legalmente definidas. Otras pérdidas que no entren en el ámbito de uso definido por Yuneec como inadecuado.

Este producto ha sido diseñado tanto para uso profesional como personal y privado. Deben respetarse las leyes y normativas nacionales e internacionales vigentes en el momento del despegue.

## **Información normativa**

### **Declaración FCC**

Este equipo ha sido probado y se estimó que cumple con los límites para la Parte 15 de las normas de la FCC.

Estos límites están diseñados para proporcionar una protección razonable contra interferencias dañinas en una instalación residencial. Este equipo genera, usa y puede irradiar energía de radiofrecuencia y, si no se instala y usa de acuerdo con las instrucciones, puede causar interferencias dañinas a las comunicaciones de radio. Sin embargo, no hay garantía de que la interferencia no ocurra en una instalación en particular. Si este equipo causa interferencias dañinas a la recepción de radio o televisión, lo que puede determinarse al apagar y al encender el equipo, se recomienda al usuario que intente corregir la interferencia mediante una o algunas de las siguientes medidas:

- Reorientar o reubicar la antena receptora.
- Aumentar la separación entre el equipo y el receptor.
- Conectar el equipo a una toma de corriente en un circuito diferente al que está conectado el receptor.
- Consultar al distribuidor o a un técnico experimentado en radio/TV para obtener ayuda.

Este dispositivo cumple con la parte 15 de las reglas de la FCC. Su operación está sujeta a las siguientes dos condiciones:

(1) Este dispositivo no puede causar interferencias perjudiciales, y (2) este dispositivo debe aceptar cualquier interferencia recibida, incluyendo interferencias que puedan causar un funcionamiento no deseado.

### **Advertencia de exposición a RF**

Este equipo debe ser instalado y operado de acuerdo con las instrucciones provistas y la(s) antena(s) utilizada(s) para este transmisor debe(n) instalarse para proporcionar una distancia de separación de al menos 20 cm de todas las personas y no debe(n) ubicarse ni funcionar conjuntamente con cualquier otra antena o transmisor. Se les debe proporcionar a los usuarios finales e instaladores una copia de las instrucciones de instalación de la antena y de las condiciones de funcionamiento del transmisor para cumplir con la norma de exposición a RF.

### **Declaración de exposición a radiación IC para Canadá**

Este dispositivo cumple con los estándares RSS exentos de licencia de Industry Canada. La operación está sujeta a las siguientes dos condiciones: (1) este dispositivo no puede causar interferencia y (2) este dispositivo debe aceptar cualquier interferencia, incluidas las interferencias que puedan causar un funcionamiento no deseado del dispositivo.

Le présent appareil est conforme aux CNR d'Industrie Canada applicables aux appareils radio exempts de licence. L'exploitation est autorisée aux deux conditions suivantes : (1) l'appareil ne doit pas produire de brouillage, et (2) l'utilisateur de l'appareil doit accepter tout brouillage radioélectrique subi, même si le brouillage est susceptible d'en compromettre le fonctionnement.

Este equipo cumple el límite de exposición a radiación IC RSS-102 establecido para un entorno no controlado. Cet équipement respecte les limites d'exposition aux rayonnements IC définies pour un environnement non contrôlé



## **Declaración NCC de advertencia**

\*本產經品型符式合認低證功合率格電之波低輻功率性射電頻機電管機理,辦非法經第許十可二,條公司~第、十商四號條或等使條用文者規均定不:得擅自變更頻率、加大功率或變更原設

\*計低之功特率性射及功頻能電。機之使用不得影響飛航安全及干擾合法通信;經發現有干擾現象時,應立即停用,並改善至無干擾

時前方項得合繼續通使信用,。指依電信法規定作業之無線電通信。低功率射頻電機須忍受合法通信或工業、科學及醫療用電波輻

## **Declaración CE de advertencia**

Este dispositivo cumple con los requisitos de la UE sobre la limitación del público general a los campos electromagnéticos como forma de protección de la salud.

Frecuencia de operación de la UE (potencia máxima transmitida)

5G Wifi: 5560-5580 MHz (27 dBm), 5680-5700 MHz (27 dBm)

## **Declaración CE de conformidad**

Por la presente, Yuneec International (China) Co. Ltd. declara que este dispositivo cumple con los requisitos esenciales y otras disposiciones pertinentes de la Directiva RED 2014/53/UE. El texto completo de la declaración CE de conformidad está disponible en la siguiente dirección de Internet: [www.yuneec.com](http://www.yuneec.com).

Por favor, visite la dirección indicada más arriba y acceda a la página del producto correspondiente.

# Servizio clienti

## Produttore:

### **Yunee International (China) Co., Ltd.**

Indirizzo: East Zhengwei Road No.388, Jinxi Town, Kunshan City, Jiangsu Province, China

## Distributore:

### **CN: Yunee International (China) Co., Ltd.**

Indirizzo: East Zhengwei Road No.388, Jinxi Town, Kunshan City, Jiangsu Province, China

Tel.: +86 400 8207 506

saleschina@yunee.com

### **US: Yunee USA Inc**

Indirizzo: 9227 Haven Ave, Suite 210 Rancho Cucamonga, CA 91730, USA

Customer Support: +1 844 390 3363

Order Support: +1 844 390 3366

### **EU: Yunee Europe GmbH**

Indirizzo: Nikolaus-Otto-Strasse 4, 24568 Kaltenkirchen, Germany

Tel.: +49 4191 932620

eucs@yunee.com

### **UK: YUNEEC UK**

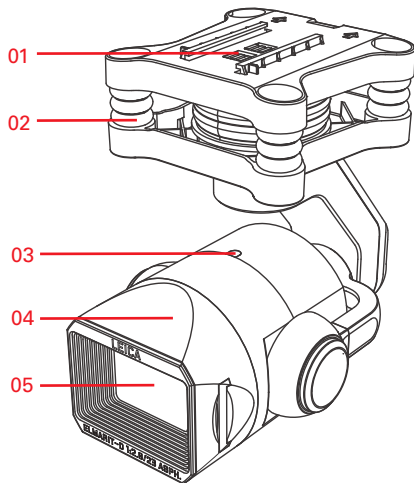
Indirizzo: 181 Victoria Road, Barnet, Hertfordshire EN4 9PA, UK

Tel.: +44(0) 208 449 4321

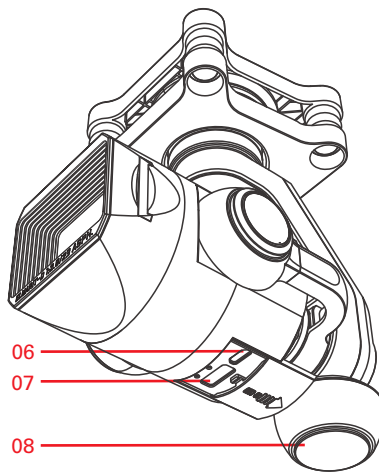
info@yunee.uk

## Introduzione e panoramica

IT



- 01 Perno connettore
- 02 Piastra di smorzamento
- 03 Indicatore LED di stato
- 04 Videocamera
- 05 Obiettivo videocamera



- 06 Porta USB
- 07 Porta Micro SD
- 08 Antenna da 5GHz

## Specifiche

### Dati generali

Prodotto: videocamera con stabilizzatore triassiale  
Nome modello: ION L1 PRO  
Dimensioni: 129x80x130 mm (5,1x3,1x5,1 pollici)  
Peso: 375 g (13,2 oz)

### Videocamera

Lunghezza focale equivalente: 23 mm f/2,8  
Campo visivo: 91°  
Sensore immagine: CMOS  
Dimensione sensore immagine:  
1 pollice (13,2x8,8 mm)  
Pixel effettivi: 20 MP  
Modalità di funzionamento:  
acquisizione, registrazione  
Formati foto: JPG, DNG, DNG+JPG  
Formati archiviazione video: MP4  
Risoluzione video:  
4 K: 4096X2160  
H264: 24/25/30/48/50/60 fps  
H265: 24/25/30 fps  
UHD: 3840x2160  
H264: 24/25/30/48/50/60 fps  
H265: 24/25/30 fps  
2720 × 1530 24/25/30/48/50/60 fps  
Full HD: 1920x1080 24/25/30/48/50/60/120 fps  
HD: 1280x720 24/25/30/48/50/60/120 fps  
Risoluzione foto:  
3:2 5472x3648  
4:3 4864x3648  
16:9 5472x3080

Modalità di esposizione: automatica, manuale,  
semi-automatica  
Valori di esposizione:  $\pm 3,0$   
ISO: 100-6400  
Otturatore elettronico: 4s --- 1/8000s

Modalità esposimetro:  
misurazione spot, misurazione centrale, misurazione  
media

Modalità fotografia: singola, continua (3/5/7),  
intervallo (2s, 3s, 5s, 7s, 10s, 15s, 20s, 30s, 60s),  
AEB ( $\pm 0,3 \pm 0,7$ ), panoramica (orizzonte, sferica)

Bilanciamento del bianco:  
automatico, blocco, luce diurna, nuvoloso, ombra,  
incandescente, alba, personalizzato  
(2000K -12000K)

### Gimbal (stabilizzatore)

Numero di assi: 3  
Controllo precisione angolo:  $\pm 0,02^\circ$   
Range massimo di controllo (Tilt):  
- Modalità Angle: da  $0^\circ$  a  $-90^\circ$   
- Modalità Velocity: da  $30^\circ$  a  $-90^\circ$   
Range massimo di controllo (Pan):  $360^\circ$  illimitato  
Velocità massima di controllo:  
- Tilt:  $30^\circ/s$   
- Pan:  $120^\circ/s$   
Sistema di trasmissione: 5,2 GHz - 5,8 GHz

## Installazione del gimbal

### Montaggio

#### Fase 1.

Individuare la freccia stampata sulla parte superiore della piastra di smorzamento che indica la direzione corretta per l'installazione.

#### Fase 2.

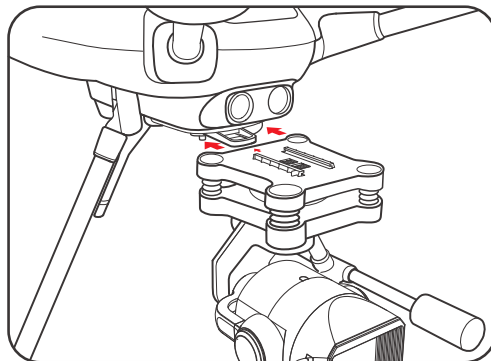
Far scorrere l'ION L1 PRO nella direzione indicata, fino in fondo allo slot di montaggio e a innesto nella clip di blocco.

#### Fase 3.

Rimuovere il coperchio dall'obiettivo.

#### Fase 4.

Inserire la scheda micro SD.



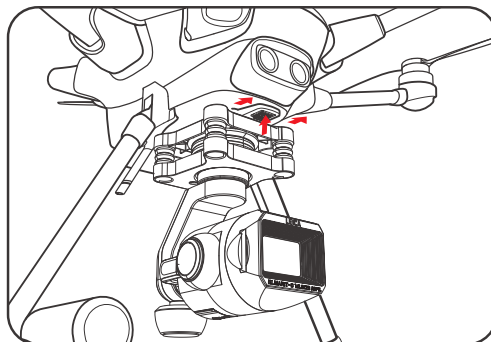
### Smontaggio

#### Fase 1.

Individuare la clip di blocco situata davanti allo slot di montaggio.

#### Fase 2.

Premere e tenere premuta la clip di bloccaggio e spingere l'ION L1 PRO in avanti (nella direzione indicata dalla freccia).





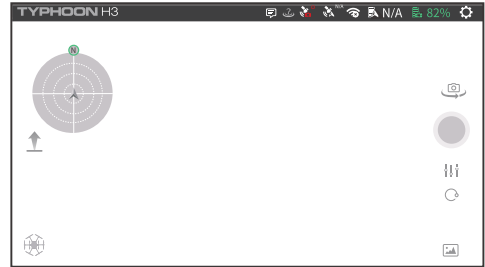
## Collegamento di ION L1 PRO a TYPHOON H3

### Fase 1.

Accendere il telecomando ST16S e poi il velivolo.

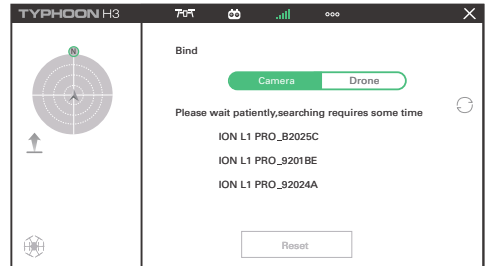
### Fase 2.

Premere [  ] nell'angolo in alto a destra dell'interfaccia principale del ST16S, poi premere [  ] nell'interfaccia di commutazione.



### Fase 3.

Quando viene visualizzata la finestra successiva, selezionare il numero seriale dell'ION L1 PRO. In caso di utilizzo di più aeromobili a pilotaggio remoto Yuneec, controllare il numero ID sul lato di ciascuna videocamera per assicurarsi che sia stata selezionata/collegata la videocamera giusta.

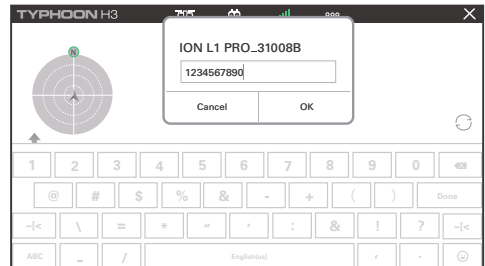


### Fase 4.

AutORIZZARE la videocamera tramite la password "1234567890" e premere "OK" per confermare.

## AVVISO

Se la procedura di connessione dura troppo a lungo, chiudere la finestra pop-up e ripetere i passaggi di cui sopra.



## **AVVISO**

1. Accertarsi che il firmware della videocamera con stabilizzatore sia aggiornato alla versione più recente.
2. Per informazioni aggiornate sul prodotto consultare il nostro sito web ufficiale: [www.yuneec.com](http://www.yuneec.com).

## **AVVERTENZA**

Non esporre l'obiettivo della videocamera stabilizzata ION L1 PRO a fonti di luce estreme!

Non azionare la videocamera stabilizzata ION L1 PRO in condizioni di pioggia o in ambienti con un elevato tasso di umidità!

Non toccare né muovere la videocamera stabilizzata ION L1 PRO fin quando il processo di inizializzazione non sia stato completato!

Non tentare di riparare la videocamera stabilizzata ION L1 PRO! Le riparazioni devono essere effettuate presso un centro assistenza autorizzato.

**I seguenti termini speciali sono impiegati in tutta la documentazione sul prodotto per indicare diversi livelli di rischio potenziale durante l'utilizzo del prodotto stesso:**

### **AVVISO**

L' inosservanza di queste procedure comporta il possibile rischio di danni materiali e/o un rischio lieve/quasi impossibile di lesioni.

### **ATTENZIONE**

L' inosservanza di queste procedure comporta il probabile rischio di danni materiali e/o un possibile rischio di gravi lesioni.

### **AVVERTENZA**

L' inosservanza di queste procedure comporta il probabile rischio di danni materiali, danni collaterali e/o lesioni gravi o il rischio molto probabile di lesioni superficiali.

### **AVVERTENZA**

Prima dell'utilizzo leggere TUTTO il manuale di istruzioni per acquisire familiarità con le caratteristiche del prodotto.

Non utilizzare componenti incompatibili e non alterare il presente prodotto in alcun modo non previsto dalle istruzioni fornite da Yuneec.

Un uso del prodotto non conforme alle corrette istruzioni di utilizzo descritte nel manuale può causare danni al prodotto, alla proprietà e/o lesioni gravi. Questo prodotto non è un giocattolo!

## **Raccolta e trattamento dei dati**

Possiamo anche raccogliere informazioni Depth Map e informazioni sulle immagini a infrarossi di un drone

allorché questo viene portato in un nostro centro di assistenza per operazioni di riparazione e manutenzione o per la prestazione di qualsiasi altro servizio.

Possiamo anche raccogliere informazioni personali fornite durante la procedura di registrazione, se questa è effettuata in qualità di utente, e qualsiasi altra informazione fornita a Yuneec dall'utente. Possiamo anche raccogliere informazioni inviate dall'utente ad altri utenti, nonché i mittenti e i destinatari di tali informazioni.

Ci riserviamo il diritto di divulgare le informazioni se richiesto per legge, o se convinti in buona fede che tale divulgazione sia necessaria ai fini dell'osservanza della legislazione applicabile, per esempio a seguito di ordinanza giudiziaria, citazione in giudizio, mandato o richiesta di enti governativi, o per altra forma di collaborazione con enti governativi o forze dell'ordine.

Ci riserviamo anche il diritto di divulgare le informazioni se convinti in buona fede che ciò sia necessario o appropriato per: (i) proteggere noi stessi o terzi da attività fraudolente, illegali o abusive; (ii) prendere precauzioni per evitare un potenziale rischio di responsabilità civile; (iii) proteggere la sicurezza delle app di Yuneec integrate o scaricate sul drone o su qualsiasi dispositivo o servizio correlato; (iv) proteggere i nostri diritti legali o quelli di terzi.

Qualsiasi informazione da noi raccolta può essere divulgata o trasferita a un acquirente, successore o cessionario, nel contesto di un'eventuale fusione, acquisizione, finanziamento del debito o altra attività che implichi il trasferimento di asset commerciali.

Possiamo mettere a disposizione di terzi le informazioni aggregate di carattere non personale degli utenti per diversi scopi, tra cui: (i) l'adempimento di obblighi informativi di vario genere; (ii) attività di marketing; (iii) analisi della sicurezza del prodotto; (iv) comprensione e analisi degli interessi, delle abitudini e dei modelli di utilizzo dei nostri utenti per determinati servizi, funzioni, contenuti, ecc.

## **Dichiarazione di non responsabilità**

Yuneec International (China) Co., Ltd. non può essere ritenuta responsabile di qualsivoglia danno materiale, lesione o utilizzo del prodotto in violazione delle disposizioni di legge, in particolare nelle seguenti circostanze: danni e/o lesioni o violazioni delle disposizioni di legge derivanti dalla mancata osservanza delle istruzioni di funzionamento o delle istruzioni riportate nel sito [www.yuneec.com](http://www.yuneec.com), delle informazioni sul prodotto, del manuale utente o di altre informazioni legalmente vincolanti.

Danni e/o lesioni o violazioni delle disposizioni di legge provocati dall'assunzione di alcool, droghe, farmaci o altri narcotici che possano compromettere la concentrazione dell'utente.

Lo stesso vale per stati di alterazione che compromettano la concentrazione dell'utente (giramento di testa, stanchezza, nausea, ecc.) o altri fattori che ne compromettano le facoltà mentali e fisiche.

Danni, lesioni o violazioni delle disposizioni di legge provocati intenzionalmente.



Qualsiasi richiesta di risarcimento in seguito a un incidente causato dall'utilizzo del prodotto.

Danni e/o lesioni nonché violazioni delle disposizioni di legge causati dall'utilizzo del prodotto in una zona sottoposta a divieto di volo, ad es. nelle vicinanze di una pista di atterraggio, al di sopra di un'autostrada o di un'area naturale protetta.

Malfunzionamento del prodotto causato da modifica o sostituzione di componenti con altri componenti non forniti da Yuneec.

Danni e/o lesioni causati dall'utilizzo di componenti non originali (imitazioni).

Danni e/o lesioni o violazioni delle disposizioni di legge causati da utilizzo improprio o errore di valutazione.

Danni e/o lesioni causati dall'utilizzo di ricambi danneggiati o non originali Yuneec.

Danni e/o lesioni o violazioni delle disposizioni di legge causati dall'aver ignorato le avvertenze sulla bassa tensione della batteria.

Danni e/o lesioni o violazioni delle disposizioni di legge causati dall'utilizzo del prodotto all'interno di un campo magnetico (ad. es linee di alta tensione, impianti elettrici/di trasformazione, ripetitori radio, ripetitori per telefonia cellulare, ecc.), di un ambiente in cui sia presente un forte segnale wireless, di zone sottoposte a divieto di volo, di zone con scarsa visibilità e in caso di menomazioni visive o altre influenze sul pilota che non siano state sottoposte a controllo, ecc.

Danni e/o lesioni provocati da violazioni delle disposizioni di legge consistenti nell'utilizzo del modello in condizioni meteorologiche inadatte, ad es. in caso di pioggia, vento, neve, grandine, temporali, uragani, ecc.

Danni e/o lesioni o violazioni delle disposizioni di legge provocati da cause di forza maggiore, ad es. collisione, incendio, esplosione, alluvione, tsunami, frana, valanga, terremoto o altri eventi naturali.

Danni e/o lesioni o violazioni delle disposizioni di legge causati da utilizzo illegale o immorale del modello, ad es. per l'acquisizione di video o la registrazione di dati che violino o danneggino la privacy di terzi.

Danni e/o lesioni o violazioni delle disposizioni di legge causati da utilizzo improprio di batterie, sistemi di protezione, caricatori o del velivolo stesso.

Danno conseguente causato dall'utilizzo improprio di qualsiasi componente e accessorio del sistema, in particolare di schede di memoria, a causa del quale il materiale fotografico o video della videocamera possa rimanere danneggiato.

Qualsiasi inosservanza delle disposizioni di legge, lesioni personali, danni materiali o ambientali causati dall'utilizzo e dal mancato rispetto della legislazione e delle normative locali.

Danni e/o lesioni o violazioni delle disposizioni di legge causati da utilizzo azzardato non supportato da un'esperienza pratica adeguata.

Danni e/o lesioni o violazioni delle disposizioni di legge causati dal volo all'interno di zone sottoposte a divieto di volo legalmente definite. Altre perdite derivanti da un utilizzo del prodotto non conforme alla definizione di utilizzo corretto fornita da Yuneec.

Il presente prodotto è progettato sia per un utilizzo professionale che per un utilizzo personale e privato.

L'utilizzatore è tenuto all'osservanza della legislazione e delle normative nazionali e internazionali vigenti al momento del decollo.

## Informazioni sulle normative

### Dichiarazione FCC

Il presente dispositivo è stato collaudato ed è risultato conforme ai limiti stabiliti nella Parte 15 delle Normative FCC. Tali limiti sono concepiti per offrire una protezione ragionevole contro interferenze dannose in installazioni residenziali. Il presente dispositivo genera, utilizza e può emettere frequenze radio e, se non installato e utilizzato conformemente al manuale di istruzioni, può causare interferenze dannose alle comunicazioni radio. Non è possibile tuttavia garantire la totale assenza di interferenze in un'installazione specifica. Se il dispositivo dovesse causare interferenze dannose alla ricezione radio o televisiva, cosa che può essere appurata spegnendo e riaccendendo il dispositivo, si consiglia all'utente di cercare di risolvere l'interferenza adottando una o più tra le seguenti misure:

- Riorientare o ricollocare l'antenna ricevente.
- Aumentare la distanza tra il dispositivo e il ricevitore.
- Collegare il dispositivo a una presa su un circuito di corrente diverso da quello a cui è collegato il ricevitore.
- Consultare il rivenditore o un tecnico radio/TV esperto per ricevere assistenza.

Il dispositivo è conforme alla Parte 15 delle Normative FCC. L'utilizzo è soggetto alle due condizioni seguenti: (1) il dispositivo non deve causare interferenze dannose e (2) deve accettare qualsiasi interferenza ricevuta, incluse quelle che potrebbero causare un funzionamento indesiderato.

### Avvertenza sull'esposizione alle radiofrequenze

Questo dispositivo deve essere installato e utilizzato seguendo le istruzioni fornite; l'antenna (o le antenne) utilizzata per questo trasmettitore deve essere installata a una distanza di almeno 20 cm da ogni persona e non deve essere né collocata in prossimità di altre antenne o trasmettitori, né usata congiuntamente ad essi. Agli utenti finali e agli installatori devono essere fornite le istruzioni di installazione dell'antenna e le condizioni di funzionamento del trasmettitore per soddisfare i requisiti sull'esposizione alle radiofrequenze.

### Dichiarazione sull'esposizione alle radiazioni IC per il Canada

Il dispositivo è conforme alle norme RSS esenti da licenza Industry Canada. L'utilizzo è soggetto alle due condizioni seguenti: (1) il dispositivo non deve causare interferenze e (2) deve accettare qualsiasi interferenza, incluse quelle che potrebbero causare un funzionamento indesiderato del dispositivo stesso. Le présent appareil est conforme aux CNR d'Industrie Canada applicables aux appareils radio exempts de licence. L'exploitation est autorisée aux deux conditions suivantes : (1) l'appareil ne doit pas produire de brouillage, et (2) l'utilisateur de l'appareil doit accepter tout brouillage radioélectrique subi, même si le brouillage est susceptible d'en compromettre le fonctionnement.

Questo apparecchio è conforme al limite di esposizione alle radiazioni IC RSS-102 stabilito per un ambiente non controllato. Cet équipement respecte les limites d'exposition aux rayonnements IC définies pour un environnement non contrôlé

### **Dichiarazione di avvertenza**

\*本產經品型符式合認低證功合率格電之波低輻功射率性射電頻機電管機理，辦非法經第許十可二，條公司~ 第、十商四號條或等使條用文者規均定不：得擅自變更頻率、加大功率或變更原設

\*計低之功特率性射及功頻能電。機之使用不得影響飛航安全及干擾合法通信；經發現有干擾現象時，應立即停用，並改善至無干擾

時前方項得合繼續通使信用，。指依電信法規定作業之無線電通信。低功率射頻電機須忍受合法通信或工業、科學及醫療用電波輻

### **Dichiarazione di avvertenza CE**

Il presente dispositivo soddisfa i requisiti UE sulla limitazione dell'esposizione della popolazione ai campi elettromagnetici ai fini della tutela della salute.

Frequenza di funzionamento UE (potenza massima trasmessa)

Wi-Fi 5G: 5560-5580 MHz (27 dBm), 5680-5700 MHz (27 dBm)

### **Dichiarazione di conformità UE**

Yunee International (China) Co., Ltd. dichiara con la presente che questo dispositivo è conforme ai requisiti fondamentali e alle altre disposizioni della Direttiva RED 2014/53/UE. Il testo completo della Dichiarazione di conformità UE è disponibile al seguente indirizzo web: [www.yunee.com](http://www.yunee.com).

Collegarsi al sito sopra indicato e accedere alla pagina del prodotto in oggetto.

# Customer Service

## Manufacturer:

### **Yunee International (China) Co., Ltd.**

Address: East Zhengwei Road No.388, Jinxi Town, Kunshan City, Jiangsu Province, China

## Distributor:

### **CN: Yunee International (China) Co., Ltd.**

Address: East Zhengwei Road No.388, Jinxi Town, Kunshan City, Jiangsu Province, China

Tel.: +86 400 8207 506

saleschina@yunee.com

### **US: Yunee USA Inc**

Address: 9227 Haven Ave, Suite 210 Rancho Cucamonga, CA 91730, USA

Customer Support: +1 844 390 3363

Order Support: +1 844 390 3366

### **EU: Yunee Europe GmbH**

Address: Nikolaus-Otto-Strasse 4, 24568 Kaltenkirchen, Germany

Tel.: +49 4191 932620

eucs@yunee.com

### **UK: YUNEEC UK**

Address: 181 Victoria Road, Barnet, Hertfordshire EN4 9PA, UK

Tel.: +44(0) 208 449 4321

info@yunee.uk

YUNEEC