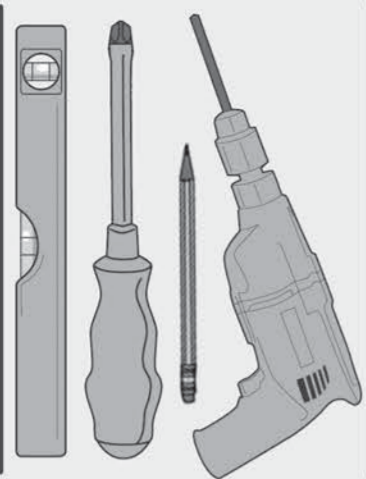


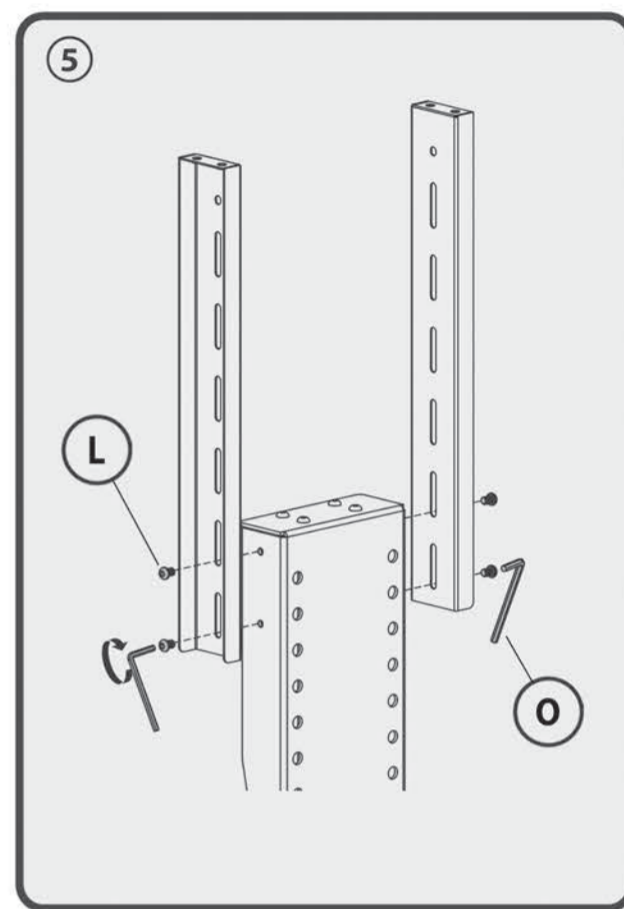
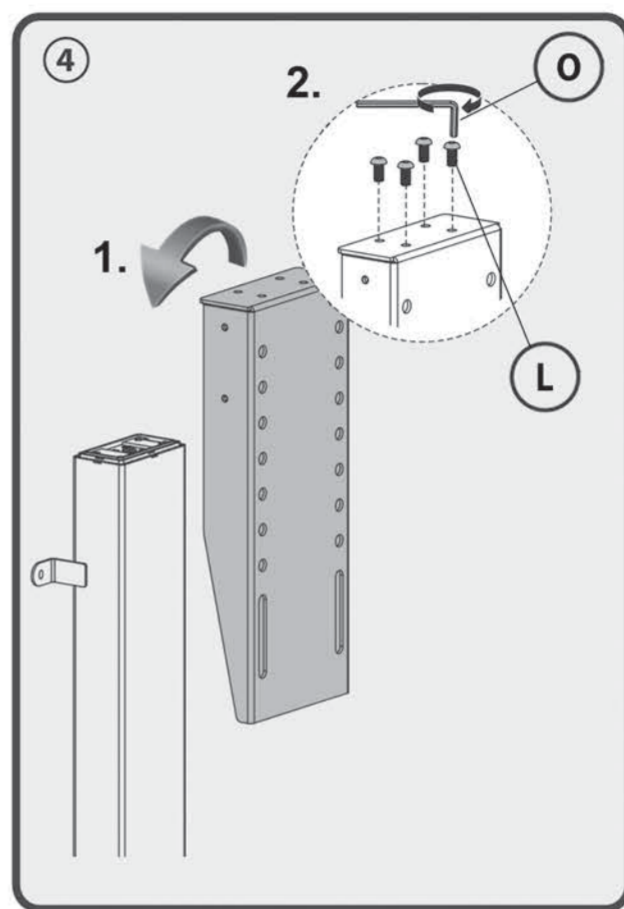
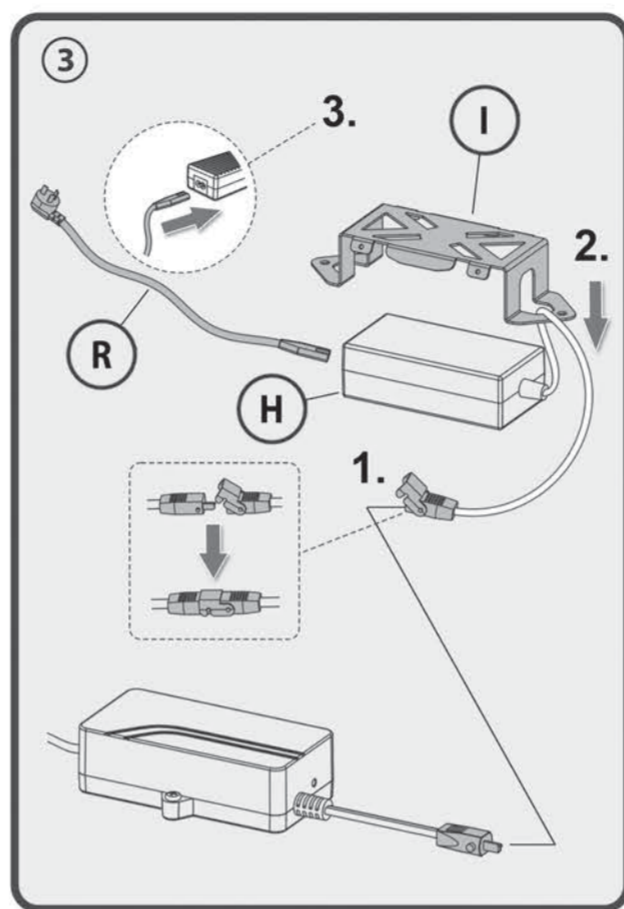
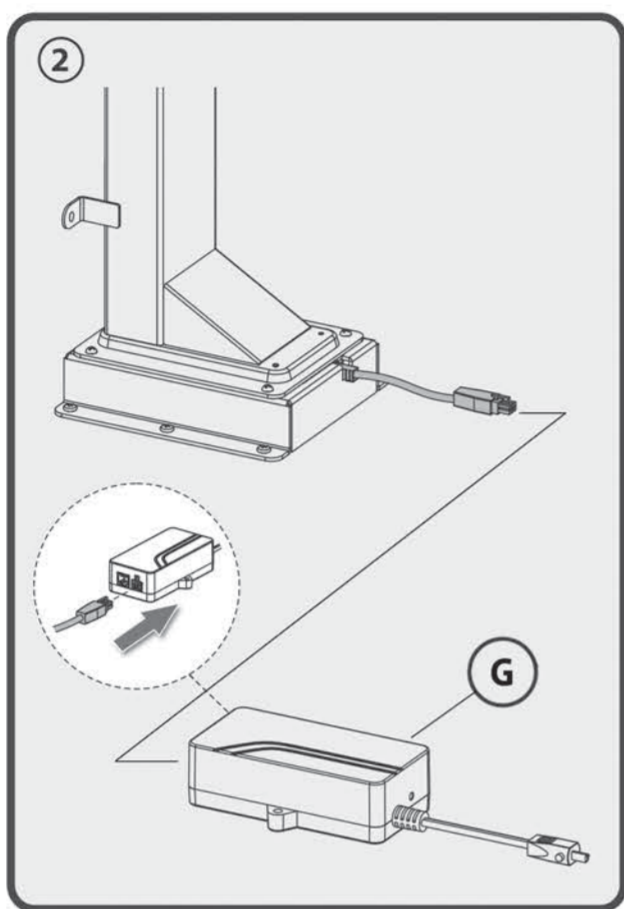
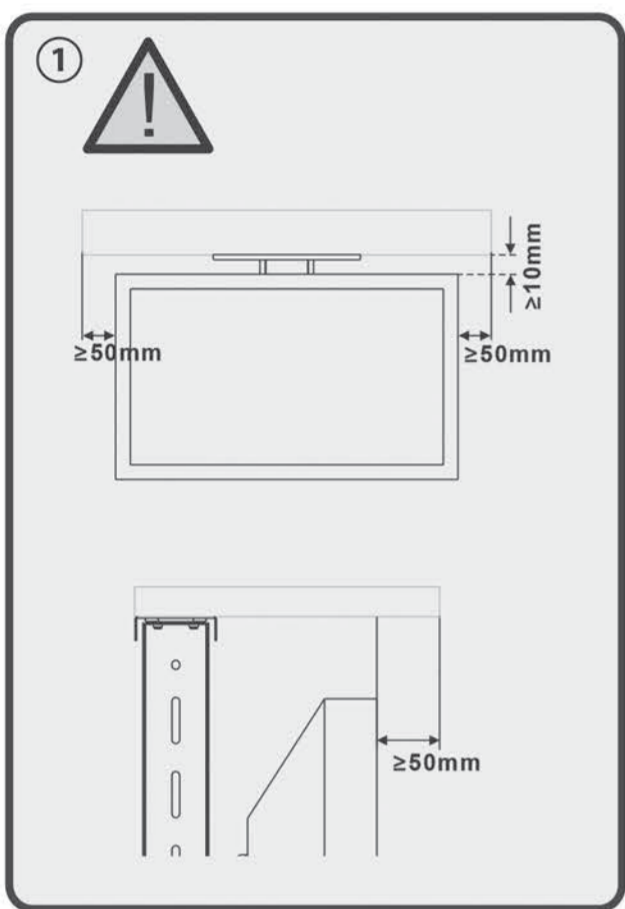
HP 33-2 L

Motorisierter TV Einbaulift zum integrieren in Möbel

Motorized Monitor lift stand for installation in furnitures.



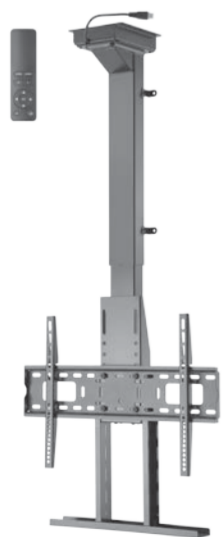
 G (x1)	 H (x1)	 I (x1)	 J (x16)	 K (x2)	 L M6x12 (x12)	 M M10x20 (x4)	 N (x4)	 O 4mm (x1)	 P 6mm (x1)	
 Q (x1)	 R (x1)	 S (x1)	 M-A M5x14 (x4)	 M-B M6x14 (x4)	 M-C M6x30(x4)	 M-D M8x30 (x4)	 M-E M8x50 (x4)	 M-F (x4)	 M-G (x8)	 M-H (x8)



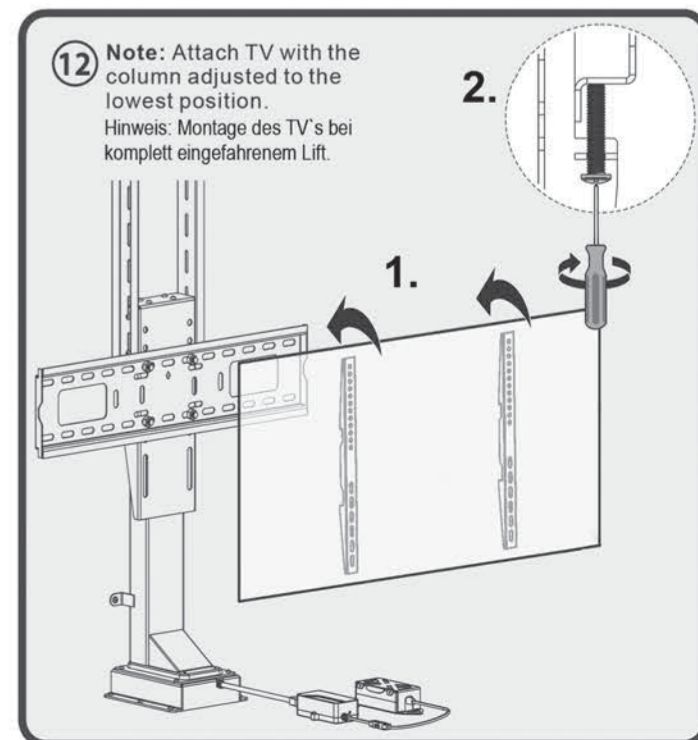
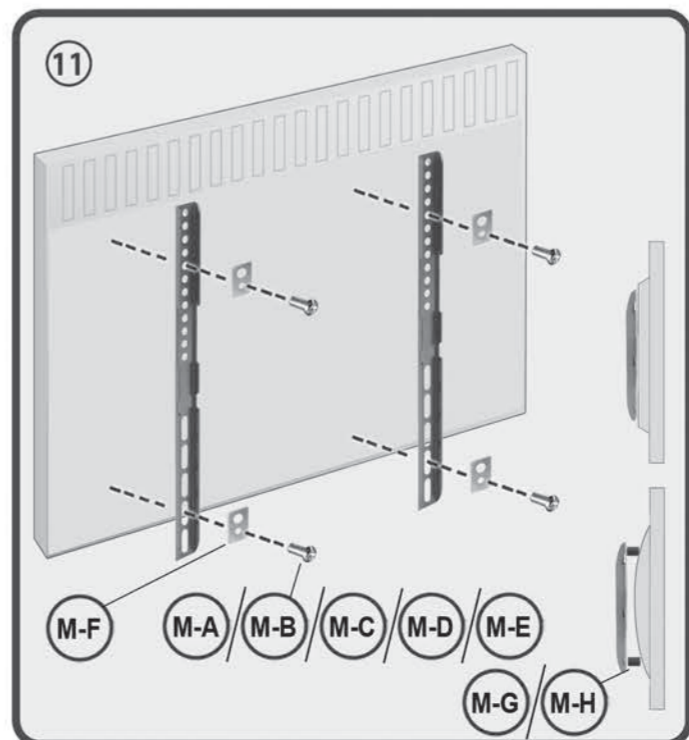
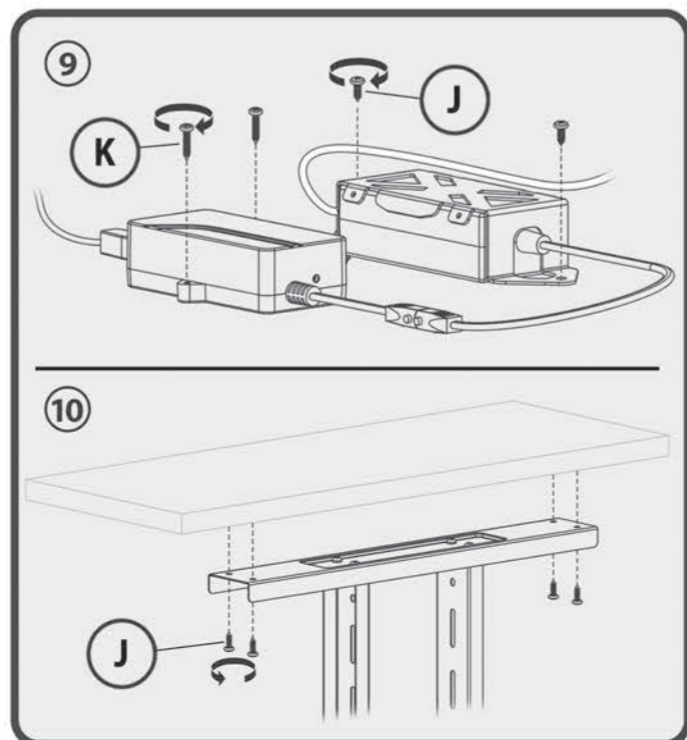
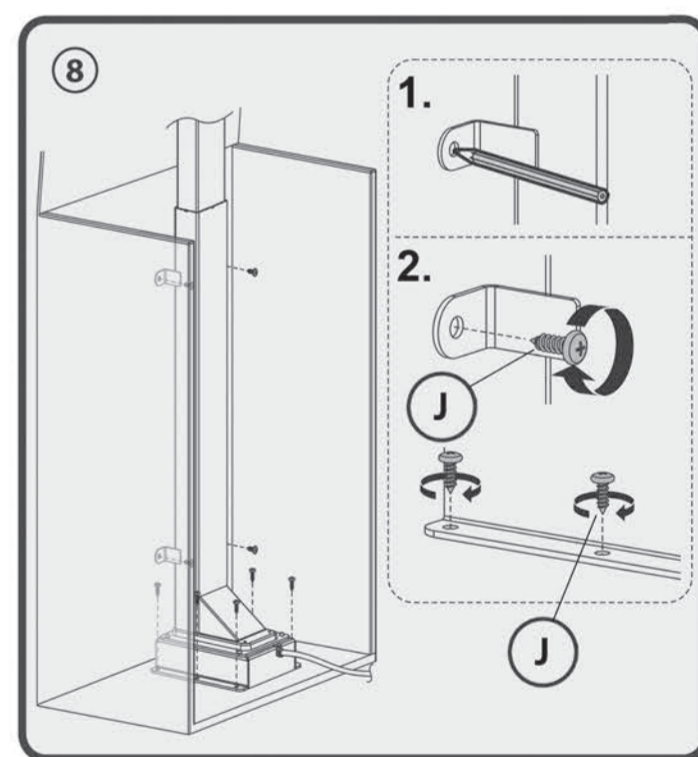
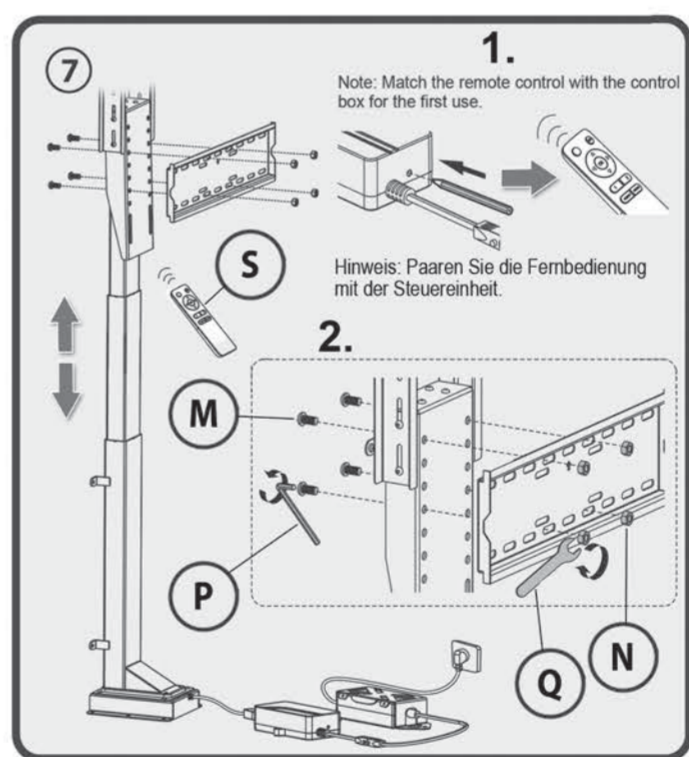
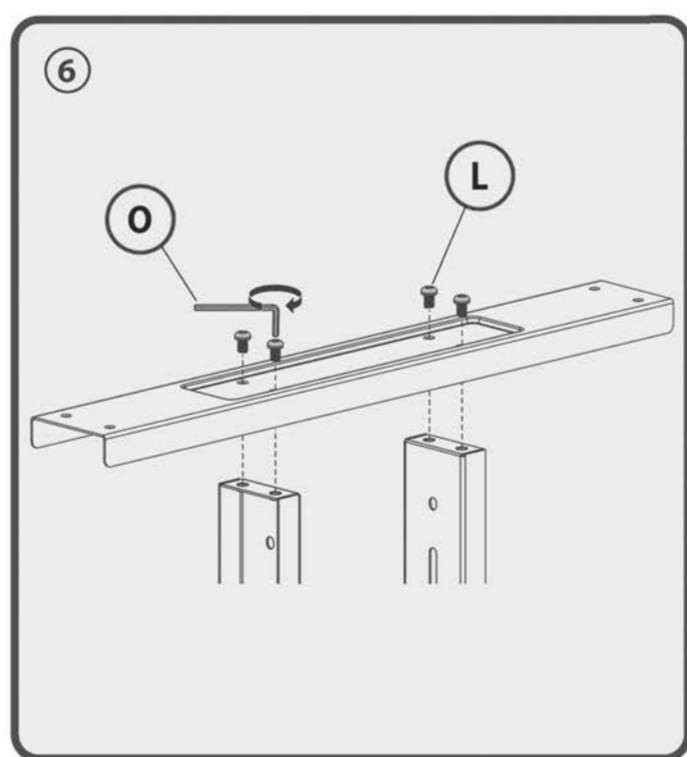
Montageanleitung
Assembly Instructions

Motorized Monitor lift stand for installation in furniture
mount accessories

HP 33-2 L



my wall[®]
mount accessories



Motorisierter TV Einbaulift zum integrieren in Möbel

