

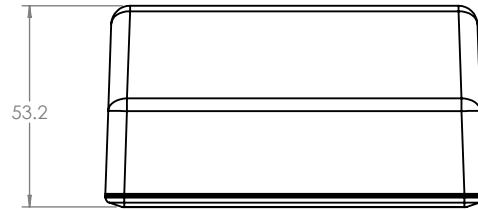
CamdenBoss-Vertretung für das komplette Lieferprogramm:



AXXATRONIC GmbH
 Alemannenstrasse 10
 71296 Heimsheim

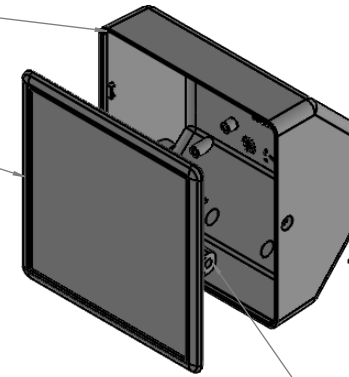
Tel. 07033 / 46 66 1 - 0
 Fax 07033 / 46 66 1 - 23

info@axxatronic.de
 www.axxatronic.de



BASE
 PAGE 3

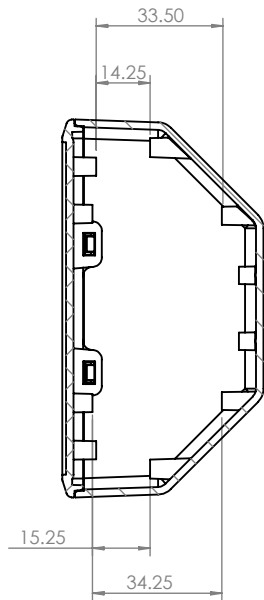
LID
 PAGE 2



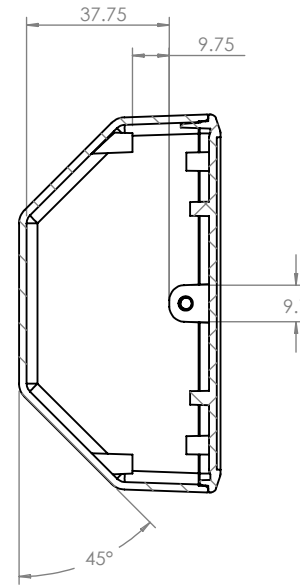
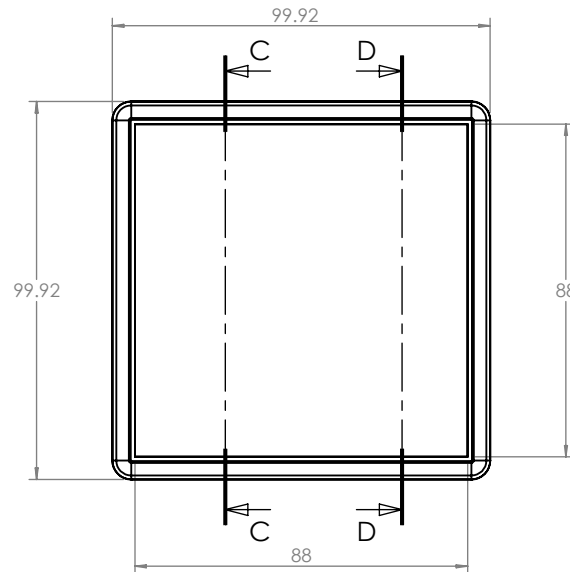
ISO VIEW
 1:3

M3 SCREW

M3 INSERT



SECTION C-C



SECTION D-D

COLOUR	PART NUMBER	RAL:
BLACK	CB1500-10SBK-KIT	9005
GREY	CB1500-10SGY-KIT	7047
WHITE	CB1500-10SWH-KIT	9003

CAMDENBOSS
 CONNECT. ENCLOSE. INNOVATE.

JAMES CARTER RD, MILDENHALL, SUFFOLK. IP28 7DE
 TEL: 01638 716101 FAX: 01638 716554
 EMAIL: Sales@CamdenBoss.com
 WEB: www.CamdenBoss.com

UNLESS OTHERWISE SPECIFIED:
 DIMENSIONS ARE IN MILLIMETERS

FINISH:
 LIGHT SPARK

COLOUR:
 SEE TABLE

GENERAL TOLERANCES +/- 0.2

REVISION:

TITLE: DIMENSION DRAWING FOR 1500 SERIES BLACK WITH SOLID BODY

	NAME	SIGNED	DATE
DRAWN	IAN PAGANO	I.P.	19/11/18
CHKD	-	-	-

MATERIAL:
 UV STABLE ABS UL94-V0

PROJECTION:

DWG NO. **CB1500-10Sxx-KIT** A4

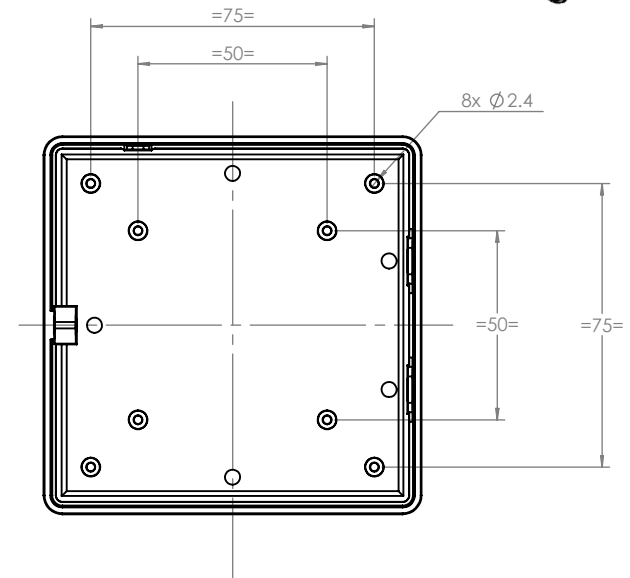
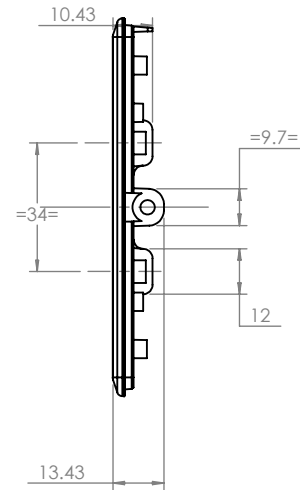
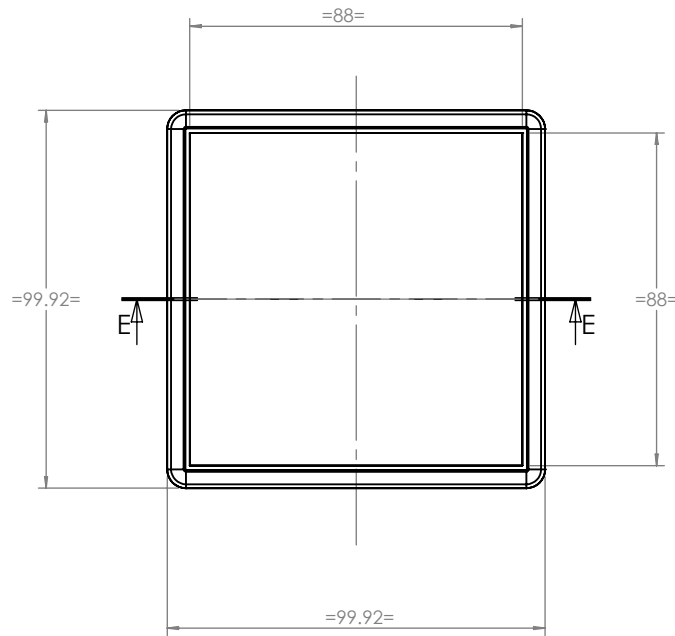
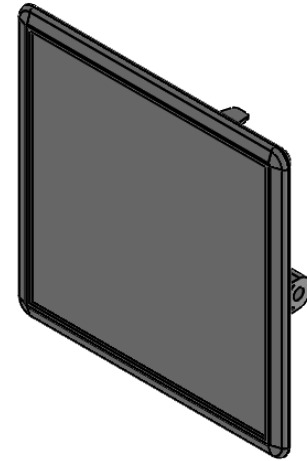
SCALE: 1:2 SHEET 1 OF 3 DO NOT SCALE DRAWING

2 TYP
WALL THICKNESS

1 mm
RECESS



SECTION E-E



CAMDENBOSS
CONNECT. ENCLOSE. INNOVATE.

JAMES CARTER RD, MILDENHALL, SUFFOLK. IP28 7DE
TEL: 01638 716101 FAX: 01638 716554
EMAIL: Sales@CamdenBoss.com
WEB: www.CamdenBoss.com

UNLESS OTHERWISE SPECIFIED:
DIMENSIONS ARE IN MILLIMETERS

FINISH:
LIGHT SPARK

COLOUR:
SEE TABLE

GENERAL TOLERANCES +/- 0.2

REVISION: ○

TITLE: DIMENSION DRAWING FOR 1500
SERIES BLACK WITH SOLID BODY

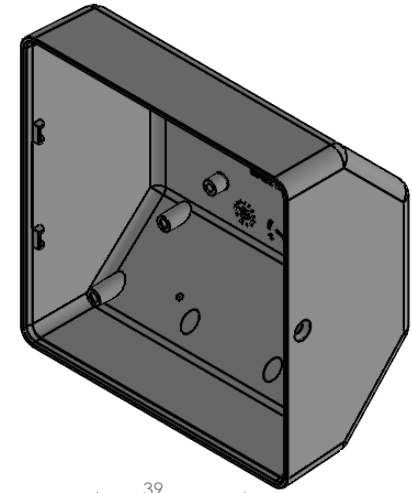
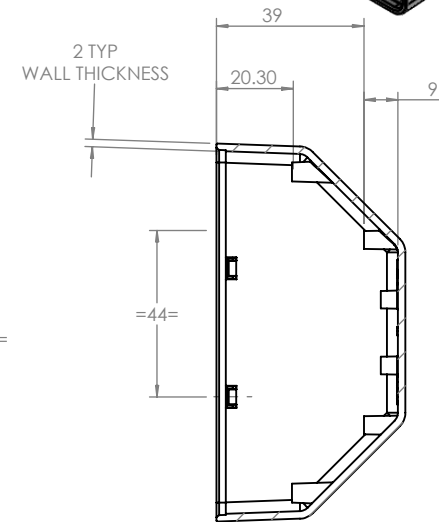
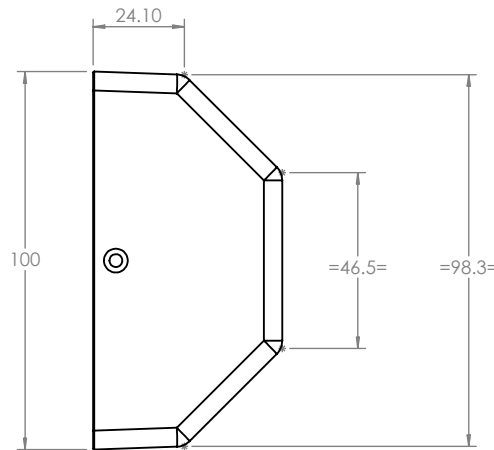
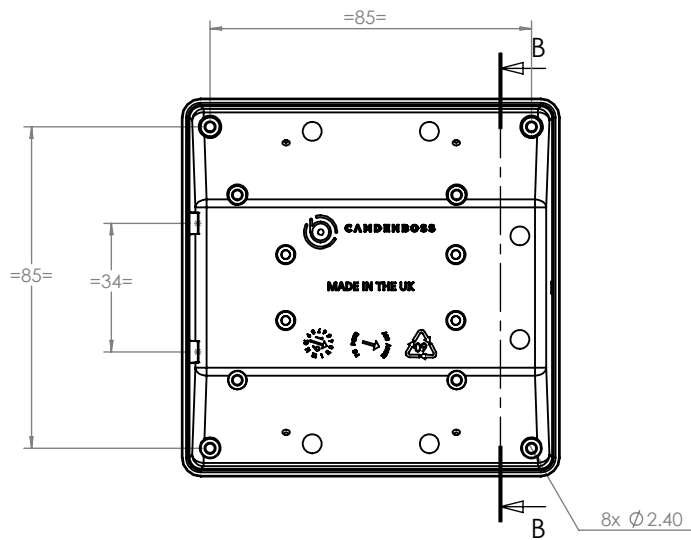
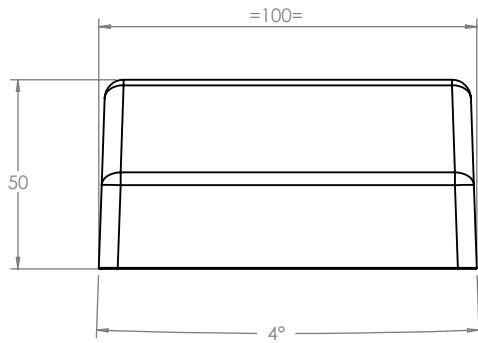
	NAME	SIGNED	DATE
DRAWN	IAN PAGANO	I.P.	19/11/18
CHKD	-	-	-

MATERIAL:
UV STABLE ABS UL94-V0

PROJECTION:

DWG NO. **CB1500-10Sxx-KIT** A4

SCALE: 1:2 SHEET 2 OF 3 DO NOT SCALE DRAWING





CAMDENBOSS
 CONNECT. ENCLOSE. INNOVATE.
 JAMES CARTER RD, MILDENHALL, SUFFOLK. IP28 7DE
 TEL: 01638 716101 FAX: 01638 716554
 EMAIL: Sales@CamdenBoss.com
 WEB: www.CamdenBoss.com

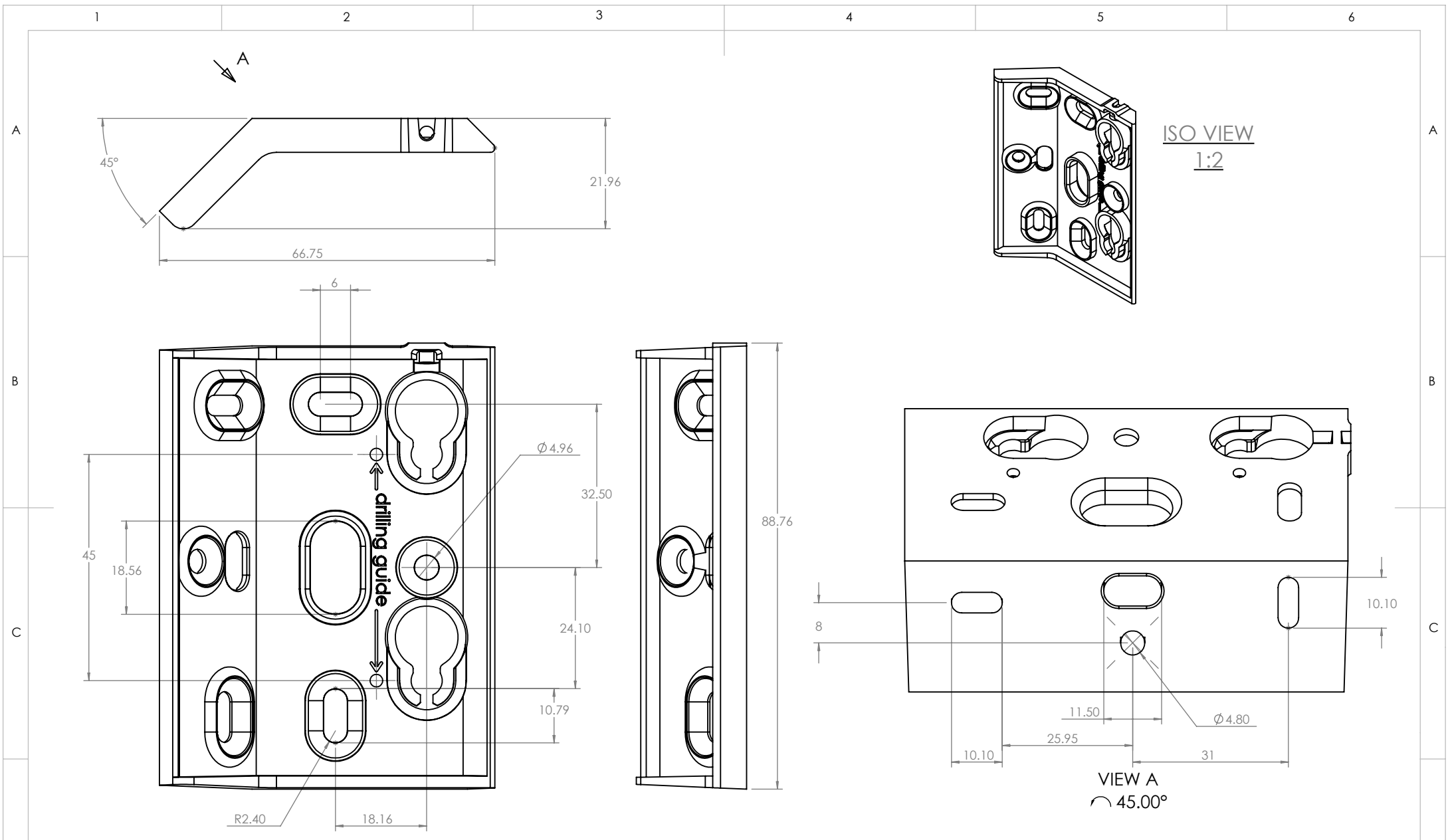
UNLESS OTHERWISE SPECIFIED:
 DIMENSIONS ARE IN MILLIMETERS
 FINISH: LIGHT SPARK
 COLOUR: SEE TABLE

GENERAL TOLERANCES +/- 0.2
 REVISION: 
 TITLE: DIMENSION DRAWING FOR 1500 SERIES BLACK WITH SOLID BODY

	NAME	SIGNED	DATE
DRAWN	IAN PAGANO	I.P.	19/11/18
CHKD	-	-	-

MATERIAL: UV STABLE ABS UL94-V0
 PROJECTION: 

DWG NO. **CB1500-10Sxx-KIT** A4
 SCALE: 1:2 SHEET 3 OF 3 DO NOT SCALE DRAWING



COLOUR	PART NUMBER	RAL:
BLACK	CBWM45-BK	9005
GREY	CBWM45-GY	7047
WHITE	CBWM45-WH	9003

CAMDENBOSS
 CONNECT. ENCLOSE. INNOVATE.
 JAMES CARTER RD, MILDENHALL, SUFFOLK. IP28 7DE
 TEL: 01638 716101 FAX: 01638 716554
 EMAIL: Sales@CamdenBoss.com
 WEB: www.CamdenBoss.com

UNLESS OTHERWISE SPECIFIED:
 DIMENSIONS ARE IN MILLIMETERS

FINISH:
 LIGHT SPARK

COLOUR:
 WHITE

MATERIAL:
 UV STABLE ABS UL 94 - V0

PROJECTION:

GENERAL TOLERANCES +/- 0.2	REVISION: A
TITLE: DRAWINGS FOR 45° WALL BRACKET	DWG NO. CBWM45-10xx
SCALE: 1:1	SHEET 1 OF 1
DO NOT SCALE DRAWING	A4