

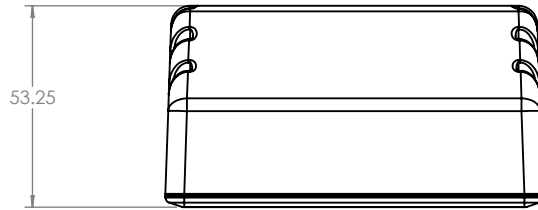
CamdenBoss-Vertretung für das komplette Lieferprogramm:



AXXATRONIC GmbH  
Alemanenstrasse 10  
71296 Heimsheim

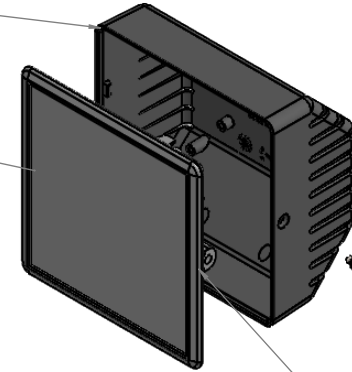
Tel. 07033 / 46 66 1 - 0  
Fax 07033 / 46 66 1 - 23

info@axxatronic.de  
www.axxatronic.de



BASE  
PAGE 3

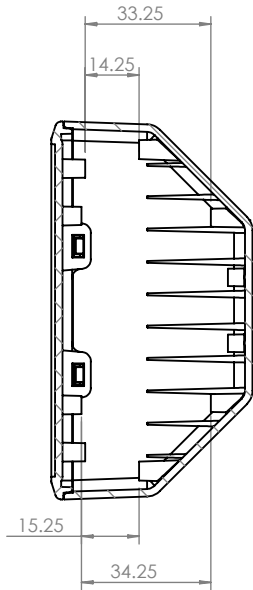
LID  
PAGE 2



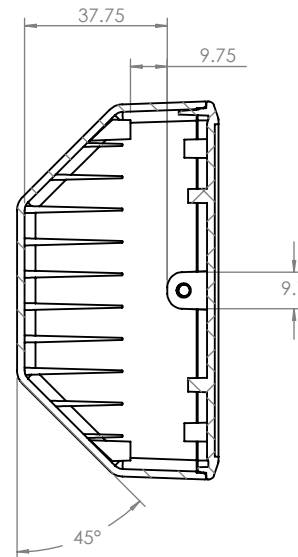
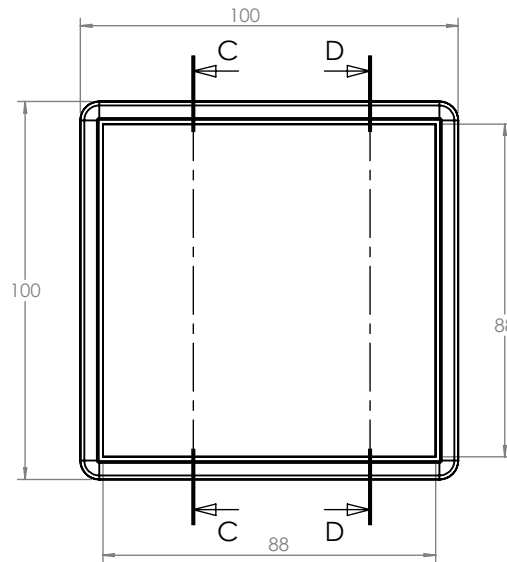
ISO VIEW  
1:3

M3 SCREW

M3 INSERT



SECTION C-C



SECTION D-D

COLOUR	PART NUMBER	RAL:
BLACK	CB1500-10VBK-KIT	9005
GREY	CB1500-10VGY-KIT	7047
WHITE	CB1500-10VWH-KIT	9003

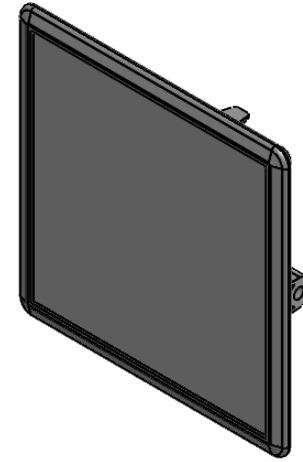
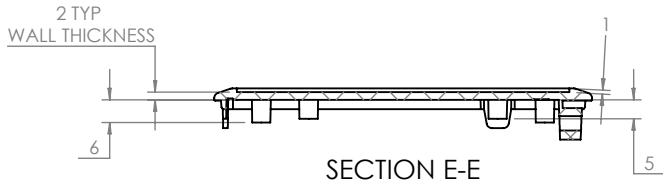
**CAMDENBOSS**  
CONNECT. ENCLOSE. INNOVATE.

JAMES CARTER RD, MILDENHALL, SUFFOLK. IP28 7DE  
TEL: 01638 716101 FAX: 01638 716554  
EMAIL: Sales@CamdenBoss.com  
WEB: www.CamdenBoss.com

UNLESS OTHERWISE SPECIFIED: DIMENSIONS ARE IN MILLIMETERS	GENERAL TOLERANCES +/- 0.2	REVISION: <b>A</b>
FINISH: LIGHT SPARK	TITLE: <b>DIMENSION DRAWING FOR 1500 SERIES WHITE WITH VENTED BODY</b>	
COLOUR: WHITE	DWG NO. <b>CB1500-10Vxx-KIT</b>	<b>A4</b>
MATERIAL: UV STABLE ABS UL94-V0	SCALE: 1:2	SHEET 1 OF 3
PROJECTION:	DO NOT SCALE DRAWING	

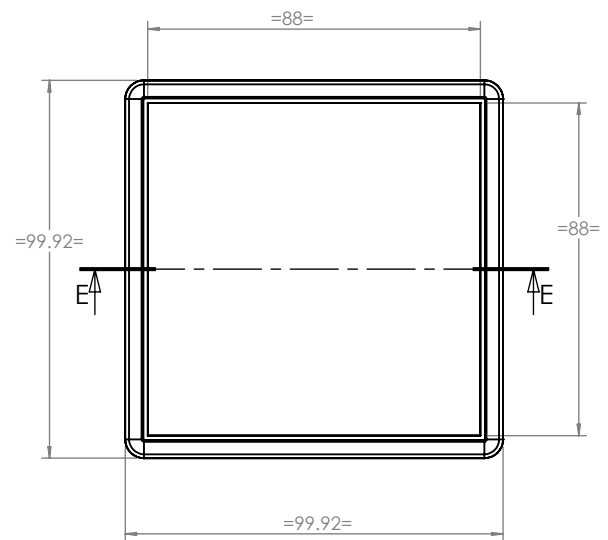
1 2 3 4 5 6

A



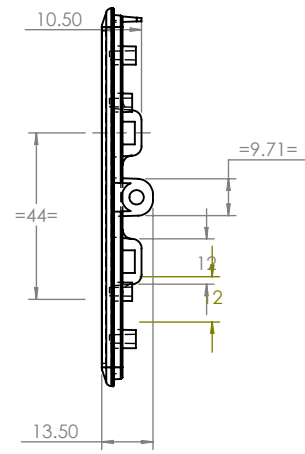
A

B

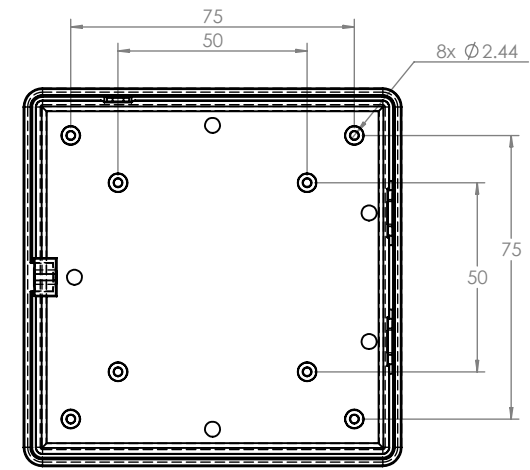


B



C



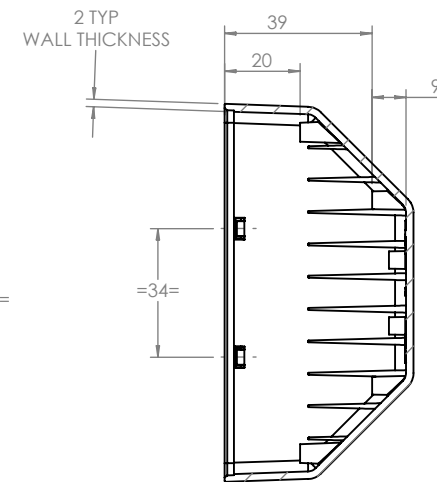
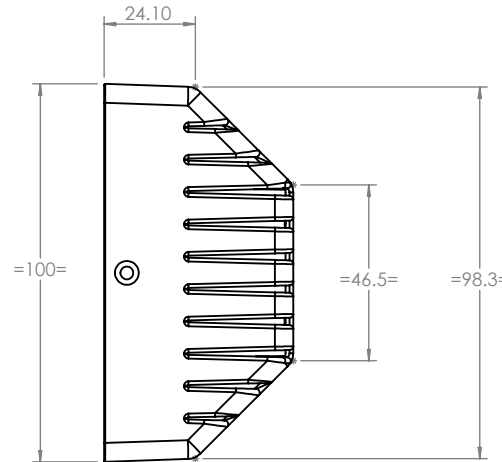
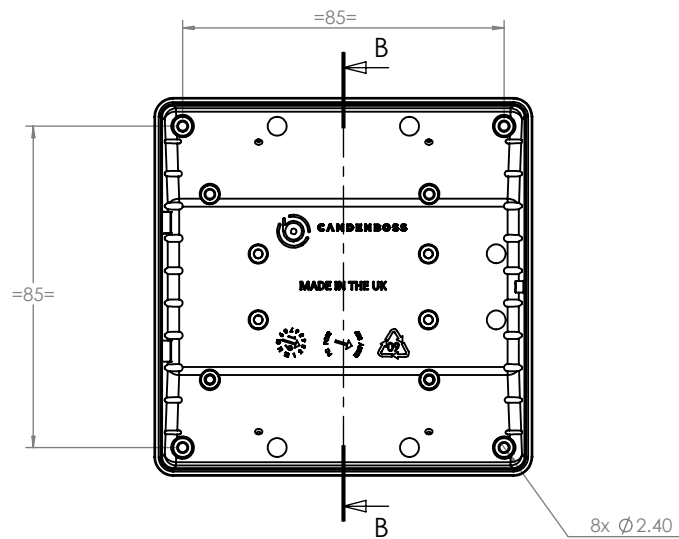
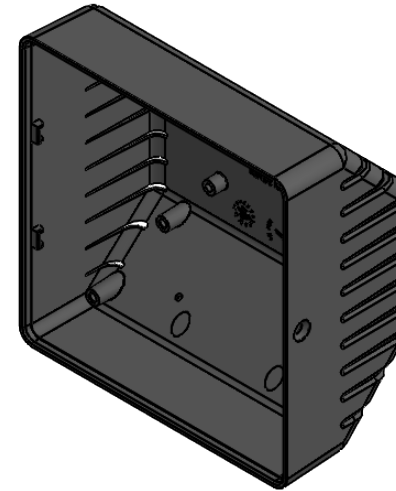
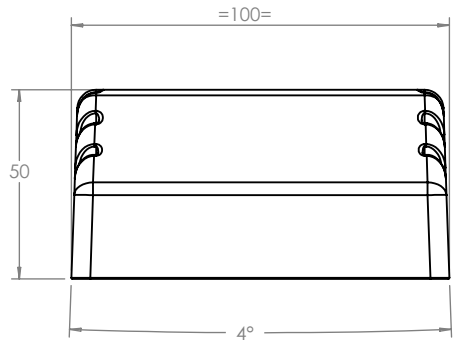
C



D

 <b>CAMDENBOSS</b> CONNECT. ENCLOSE. INNOVATE. JAMES CARTER RD, MILDENHALL, SUFFOLK. IP28 7DE TEL: 01638 716101 FAX: 01638 716554 EMAIL: Sales@CamdenBoss.com WEB: www.CamdenBoss.com				UNLESS OTHERWISE SPECIFIED: DIMENSIONS ARE IN MILLIMETERS		GENERAL TOLERANCES +/- 0.2		REVISION. <b>A</b>		
				FINISH. LIGHT SPARK		TITLE: <b>DIMENSION DRAWING FOR 1500 SERIES WHITE WITH VENTED BODY</b>				
COLOUR. WHITE		MATERIAL. UV STABLE ABS UL94-V0		DWG NO. <b>CB1500-10Vxx-KIT</b>		<b>A4</b>				
DRAWN	IAN PAGANO	SIGNED	I.P.	DATE	19/11/18	PROJECTION.		SCALE: 1:2	SHEET 2 OF 3	DO NOT SCALE DRAWING
CHKD	-	-	-	-	-					

1 2 3



SECTION B-B

**CAMDENBOSS**  
 CONNECT. ENCLOSE. INNOVATE.  
 JAMES CARTER RD, MILDENHALL, SUFFOLK. IP28 7DE  
 TEL: 01638 716101 FAX: 01638 716554  
 EMAIL: Sales@CamdenBoss.com  
 WEB: www.CamdenBoss.com

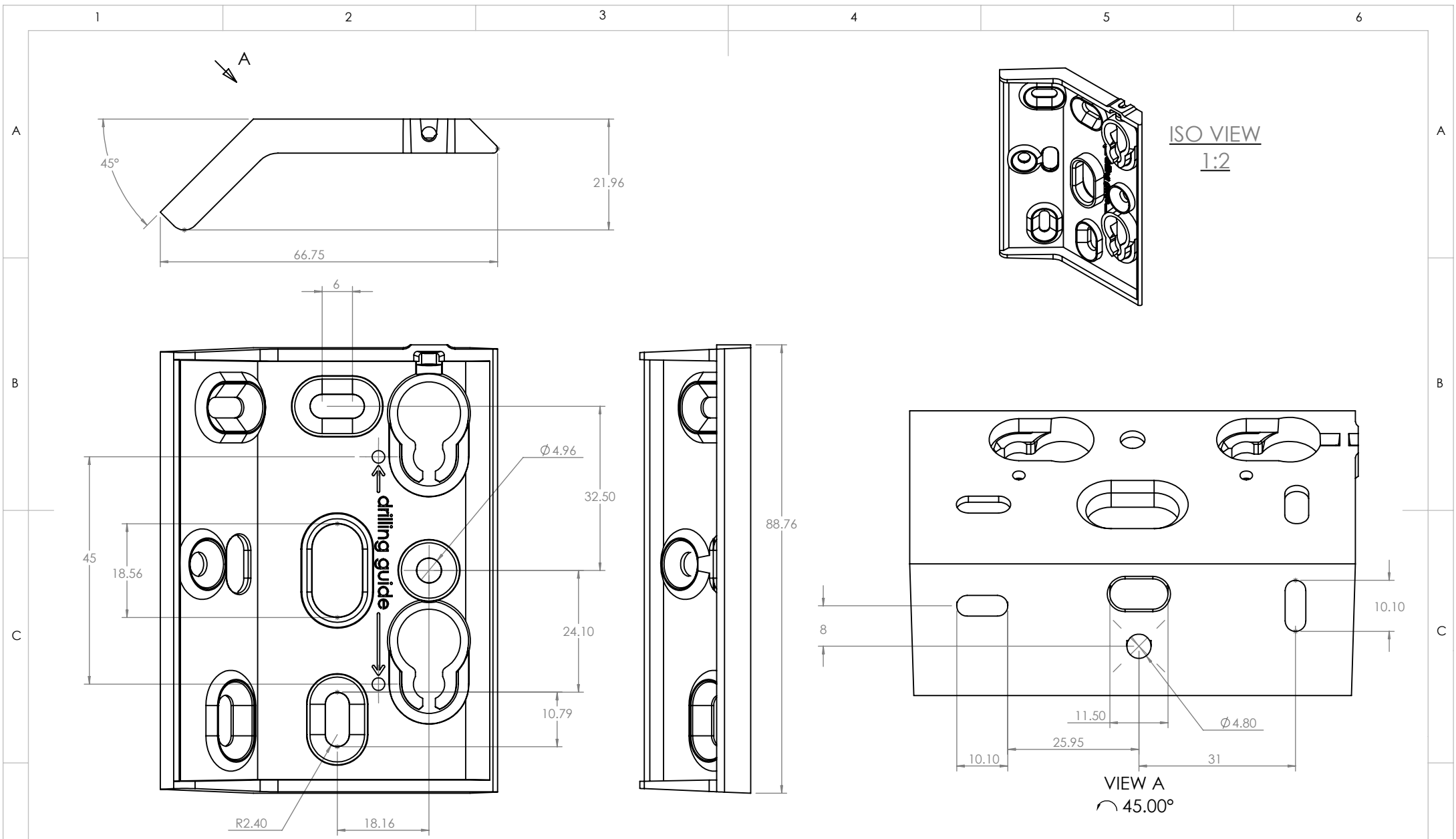
UNLESS OTHERWISE SPECIFIED:  
 DIMENSIONS ARE IN MILLIMETERS  
 FINISH: LIGHT SPARK  
 COLOUR: WHITE

GENERAL TOLERANCES +/- 0.2 REVISION: A  
 TITLE: DIMENSION DRAWING FOR 1500  
 SERIES WHITE WITH VENTED BODY

	NAME	SIGNED	DATE
DRAWN	IAN PAGANO	I.P.	19/11/18
CHK'D	-	-	-

MATERIAL: UV STABLE ABS UL94-V0  
 PROJECTION:

DWG NO. **CB1500-10Vxx-KIT** A4  
 SCALE: 1:2 SHEET 3 OF 3 DO NOT SCALE DRAWING



COLOUR	PART NUMBER	RAL:
BLACK	CBWM45-BK	9005
GREY	CBWM45-GY	7047
WHITE	CBWM45-WH	9003

**CAMDENBOSS**  
 CONNECT. ENCLOSE. INNOVATE.  
 JAMES CARTER RD, MILDENHALL, SUFFOLK. IP28 7DE  
 TEL: 01638 716101 FAX: 01638 716554  
 EMAIL: Sales@CamdenBoss.com  
 WEB: www.CamdenBoss.com

UNLESS OTHERWISE SPECIFIED:  
 DIMENSIONS ARE IN MILLIMETERS

FINISH:  
 LIGHT SPARK

COLOUR:  
 WHITE

MATERIAL:  
 UV STABLE ABS UL 94 - V0

PROJECTION:

GENERAL TOLERANCES +/- 0.2	REVISION: A
TITLE: DRAWINGS FOR 45° WALL BRACKET	DWG NO. CBWM45-10xx
SCALE: 1:1	SHEET 1 OF 1
DO NOT SCALE DRAWING	A4