

EcoBoost MPPT™

Solar Charging System Controller

Installation, Operation and Maintenance Manual

For the most recent manual revisions, see the version at:
www.morningstarcorp.com

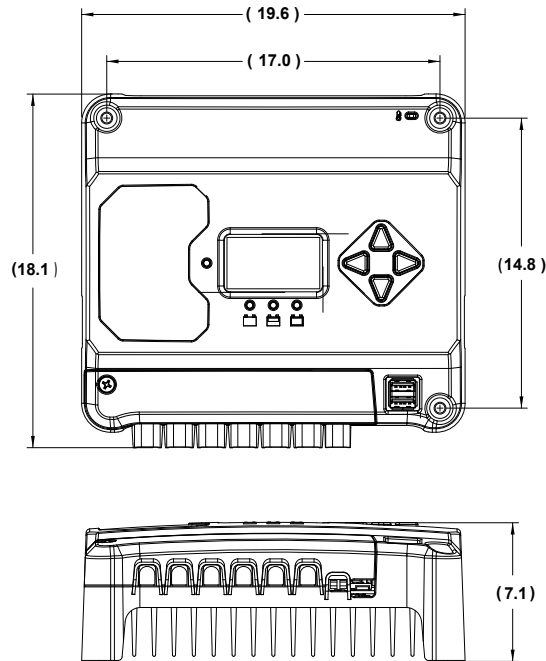


MODELS



EB-MPPT-20	EB-MPPT-20M
EB-MPPT-30	EB-MPPT-30M
EB-MPPT-40	EB-MPPT-40M

DIMENSIONS (centimeters)



SPECIFICATION SUMMARY

	EB-MPPT-20	EB-MPPT-30	EB-MPPT-40
Nominal Battery Voltage	12/24V	12/24V	12/24V
Max. PV Open-Circuit Voltage*	120V	120V	120V
Nominal Max. Input Power**	300 / 600W	400 / 800W	560 / 1120W
Max. Battery Charging Current	20A	30A	40A
Rated Load Current	20A	30A	30A

*Array voltage should never exceed this limit

**These power levels refer to the maximum wattage the EcoBoost MPPT can process. Higher power arrays can be used without damaging the controller.

TABLE OF CONTENTS

- 1.0 Important Safety Instructions..... 1**
- 2.0 General Information.... 5**
 - 2.1 Overview.....5
 - 2.2 Features..... 6
 - 2.3 Optional Accessories..... 8
- 3.0 Installation.....9**
 - 3.1 General Installation Notes.....9
 - 3.2 Configuration.....11
 - 3.3 Mounting.....14
 - 3.4 Wiring..... 15
- 4.0 Operation..... 23**
 - 4.1 TrakStar MPPT Technology.....23
 - 4.2 Battery Charging Information.....23
 - 4.3 Load Control Information..... 26
 - 4.4 LED Indications.....28
 - 4.4.1 Power-up.....28
 - 4.4.2 Status LED..... 28
 - 4.4.3 State-of-charge LEDs.....29
 - 4.5 Alarms.....29
 - 4.6 Custom Settings.....31
 - 4.6.1 Adjusting Set-points with Meter Display..... 31
 - 4.6.2 Meter Display Operation..... 32
 - 4.6.2.1 Directional Key Use and Operation / Navigating the Meter Map.....32
 - 4.6.2.2 Adjusting the Meter Display..... 32
 - 4.7 Data Logging (future use).....32
 - 4.8 Auxilliary USB Charging.....33
 - 4.9 Inspection and Maintenance..... 33

Continued...




5.0 Troubleshooting.....35
 5.1 LED Fault Indications.....35
 5.2 Battery Charging and Performance Issues.....39
6.0 Warranty40
7.0 Technical Specifications.....41
8.0 Certifications.....44

1.0 IMPORTANT SAFETY INSTRUCTIONS

SAVE THESE INSTRUCTIONS.


This manual contains important safety, installation, operating and maintenance instructions for the EcoBoost MPPT solar controller.

The following symbols are used throughout this manual to indicate potentially dangerous conditions or mark important safety instructions:

-  **WARNING:** *Indicates a potentially dangerous condition. Use extreme caution when performing this task.*
-  **CAUTION:** *Indicates a critical procedure for safe and proper operation of the controller.*
-  **NOTE:** *Indicates a procedure or function that is important to the safe and proper operation of the controller.*

Safety Information

- Read all of the instructions and cautions in the manual before beginning installation.
- There are no user serviceable parts inside the EcoBoost MPPT. Do not disassemble or attempt to repair the controller.

 **WARNING: Risk Of Electrical Shock.**
NO POWER OR ACCESSORY TERMINALS ARE ELECTRICALLY ISOLATED FROM DC INPUT, AND MAY BE ENERGIZED WITH HAZARDOUS SOLAR VOLTAGE. UNDER CERTAIN FAULT CONDITIONS, BATTERY COULD BECOME OVER-CHARGED. TEST BETWEEN ALL TERMINALS AND GROUND BEFORE TOUCHING.

 **WARNING: THE COMMUNICATIONS PORT IS CONSIDERED TO BE DVC B. AN EXTERNAL ISOLATOR IS REQUIRED IF IT IS TO BE CONNECTED TO A DVC A CIRCUIT.**

- External solar and battery disconnects are required.
- Disconnect all sources of power to the controller before installing or adjusting the EcoBoost MPPT.
- There are no fuses or disconnects inside the EcoBoost MPPT. Do not attempt to repair.

Installation Safety Precautions

- Mount the EcoBoost MPPT indoors. Prevent exposure to the elements and do not allow water to enter the controller.
- Install the EcoBoost MPPT in a location that prevents casual contact. The EcoBoost MPPT heatsink can become very hot during operation.
- Use insulated tools when working with batteries.
- Avoid wearing jewelry during installation.
- The battery bank must be comprised of batteries of same type, make, and age.
- IEC 62109 certified for use in negative ground or floating systems only.
- Do not smoke near the battery bank.
- Power connections must remain tight to avoid excessive heating from a loose connection.
- Use properly sized conductors and circuit interrupters.
- This charge controller is to be connected to DC circuits only. These DC connections are identified by the symbol below:



Direct Current Symbol

The EcoBoost MPPT controller must be installed by a qualified technician in accordance with the electrical regulations of the country of installation.

A means of disconnecting all power supply poles must be provided. These disconnects must be incorporated in the fixed wiring.

The EcoBoost MPPT negative power terminals are common, and must be grounded as instructions, local codes, and regulations require.

A permanent, reliable earth ground must be established with connection to the EcoBoost MPPT heatsink.

The grounding conductor must be secured against any accidental detachment.

Battery Safety



WARNING: A battery can present a risk of electrical shock or burn from large amounts of short-circuit current, fire, or explosion from vented gases. Observe proper precautions.



WARNING: Risk of Explosion. Proper disposal of batteries is required. Do not dispose of batteries in fire. Refer to local regulations or codes for requirements.



CAUTION: When replacing batteries, use properly specified number, sizes, types, and ratings based on application and system design.



CAUTION: Do not open or mutilate batteries. Released electrolyte is harmful to skin, and may be toxic.

- Servicing of batteries should be performed, or supervised, by personnel knowledgeable about batteries, and the proper safety precautions.
- Be very careful when working with large lead-acid batteries. Wear eye protection and have fresh water available in case there is contact with the battery acid.
- Remove watches, rings, jewelry and other metal objects before working with batteries.
- Wear rubber gloves and boots

- Use tools with insulated handles and avoid placing tools or metal objects on top of batteries.
- Disconnect charging source prior to connecting or disconnecting battery terminals.
- Determine if battery is inadvertently grounded. If so, remove the source of contact with ground. Contact with any part of a grounded battery can result in electrical shock. The likelihood of such a shock can be reduced if battery grounds are removed during installation and maintenance (applicable to equipment and remote battery supplies not having a grounded supply circuit).
- Carefully read the battery manufacturer's instructions before installing / connecting to, or removing batteries from, the EcoBoost MPPT.
- Be very careful not to short circuit the cables connected to the battery.
- Have someone nearby to assist in case of an accident.
- Explosive battery gases can be present during charging. Be certain there is enough ventilation to release the gases.
- Never smoke in the battery area.
- If battery acid comes into contact with the skin, wash with soap and water. If the acid contacts the eye, flood with fresh water and get medical attention.
- Be sure the battery electrolyte level is correct before starting charging. Do not attempt to charge a frozen battery.
- Recycle the battery when it is replaced.

2.0 GENERAL INFORMATION

2.1 Overview

Thank you for choosing the EcoBoost MPPT charge controller with TrakStar™ MPPT Technology. The EcoBoost MPPT is an advanced maximum power point tracking solar battery charger. The controller features a smart tracking algorithm that finds and maintains operation at the power source's peak power point, maximizing energy harvest.

The EcoBoost MPPT battery charging process has been optimized for long battery life and improved system performance. Self-diagnostics and electronic error protections prevent damage when installation mistakes or system faults occur. The controller also features eight (8) adjustable settings switches, several communication ports, and terminals for remote battery temperature and voltage measurement.

Please take the time to read this operator's manual to become familiar the many benefits the EcoBoost MPPT can provide for your PV systems, for example:

- Rated for 12 or 24 volt systems, and 20, 30 or 40 amps of charging current
- Fully protected with automatic and manual recovery
- Seven standard charging programs selectable with DIP switches
- Continuous self-testing with fault notification
- LED indications and push-button or meter key functions
- Power terminal maximum of #6 AWG wire.
- Digital meter display options
- Optional remote battery temperature sensor
- 2-year warranty (see Section 6.0)

2.0

2.2 Features

The features of the EcoBoost MPPT are shown in Figure 2-1 below. An explanation of each feature is provided below.

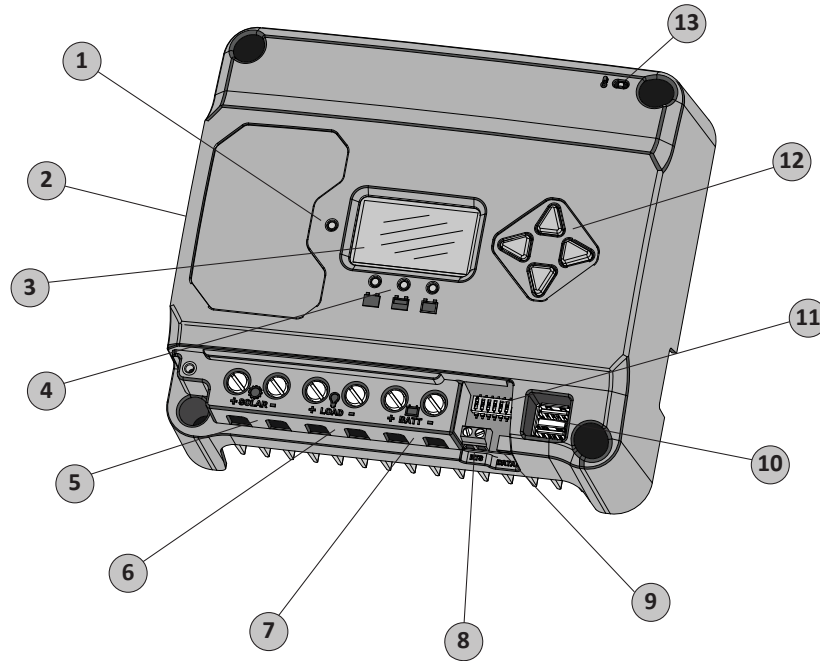


Figure 2-1. EcoBoost MPPT Features

1 - Charging Status / Error LED

Indicates charging and error condition statuses.

2 - Heatsink / Grounding Screw (M4 screw for grounding heatsink)

Aluminum heatsink (underneath) to dissipate controller heat (the EcoBoost MPPT is 100% passively cooled for reliability)

3 - Meter Display

Digital LCD monitoring and programming display

4 - Battery Status / Fault LED Indicators

Three state of charge (SOC) LED indicators show charging status and controller faults

5 - Solar Positive and Negative Terminals

Power connections for Solar (+) and (-) cable terminations

6 - Load Positive and Negative Terminals

Power connections for Load (+) and (-) cable terminations

7 - Battery Positive and Negative Terminals

Power connections for Battery (+) and (-) cable terminations

8 - Remote Temperature Sensor Terminals (RTS)

Connection points for a Morningstar RTS to remotely monitor battery temperature

9 - USB Micro-B Data Port (future use)

Micro-B USB port for (future) data transfer

10 - USB-A Charging Ports

USB-A sockets for charging electronic devices

11 - DIP Switches

Eight (8) settings switches to configure operation of the EcoBoost MPPT

12 - Meter Directional Buttons

Used to navigate throughout meter map

13 - Local Temperature Sensor

Compensates charging based on ambient temperature (not used if Remote Temperature Sensor is connected)

2.3 Optional Accessories

The following accessories are available for purchase separately from your authorized Morningstar dealer:

Remote Temperature Sensor (Model: RTS)

The RTS measures battery temperature for accurate temperature compensation and is recommended when the ambient battery temperature differs from the ambient controller temperature by more than 5° C. The standard cable length is 33 ft (10m).



NOTE: *The use of a Remote Temperature Sensor is strongly recommended. Controller location, air flow, and system power can drastically affect the local temperature sensor reading. An RTS will provide optimal charging performance.*

Ground-fault Protection Device (GFPD-150V)

As a safety measure, the GFPD-150V detects power source ground faults and interrupts current.

3.0 INSTALLATION

3.1 General Installation Notes

- Read through the entire installation section first before beginning installation.
- Be very careful when working with batteries. Wear eye protection. Have fresh water available to wash and clean any contact with battery acid.
- Use insulated tools and avoid placing metal objects near the batteries.



WARNING: Equipment Damage or Risk of Explosion

Never install the EcoBoost MPPT in an enclosure with vented/flooded batteries. Battery fumes are flammable and will corrode and destroy the EcoBoost MPPT circuits.



CAUTION: Equipment Damage

When installing the EcoBoost MPPT in an enclosure, ensure sufficient ventilation. Installation in a sealed enclosure will lead to over-heating and a decreased product lifetime.



WARNING: Equipment Damage

The EcoBoost MPPT is designed for negative or floating ground systems ONLY, and is NOT approved for use in a positive ground system. Damage to USB connected devices may result.



WARNING: Equipment Damage

DO NOT connect a laptop PC to the USB data port while the laptop is connected to an AC charger. Damage to the USB port may result.

- Do not install in locations where water can enter the controller.
- Loose power connections and /or corroded wires may result in resistive connections that melt wire insulation, burn surrounding materials, or even cause fire. Ensure tight connections and use cable clamps to secure cables and prevent them from swaying in mobile applications.
- Preset charging profiles are generally designed for lead acid batteries. Custom settings can be used for varied charging requirements (see sections 3.2 and 4.7 for details). Note that some battery types may not be compatible.
- The EcoBoost MPPT battery connection may be wired to one battery, or a bank of batteries. The following instructions refer to a singular battery, but it is implied that the battery connection can be made to either one battery or a group of batteries in a battery bank.
- The EcoBoost MPPT uses self-tapping fasteners, an anodized aluminum heat sink, and conformal coating to protect it from harsh conditions. However, for acceptable service life, extreme temperatures and marine environments should be avoided.
- The EcoBoost MPPT prevents reverse current leakage at night, so a blocking diode is not required in the system.
- The EcoBoost MPPT is designed to regulate ONLY solar (photovoltaic) power. Connection to any other type of power source e.g. wind turbine or generator may void the warranty. However, other power sources can be connected directly to the battery.
- The maximum power terminal wire size is #6 AWG / 16 mm² (solid/multi-strand) or #8 AWG / 10 mm² (fine strand). Use a flathead insulated screwdriver, and torque tightly up to 3.95 Nm.
- Stranded wires to be connected to the EcoBoost MPPT terminals should be prepared first with e.g. clamped copper heads, etc. to avoid the possibility of one conductor free out of the connection screw, and possible contact with the metal enclosure.

⚠ WARNING: Solar and battery fuses or DC breakers are required in the system. These protection devices are external to the EcoBoost MPPT controller, and must be a maximum of 25 amps for the EB-20/M, 35 amps for the EB-30/M, and 50 amps for the EB-40/M.

⚠ WARNING: Breakers and fuses may require lower ratings than referenced above, so as not to exceed any specific wire ampacity.

⚠ WARNING: Minimum over-current protection device interrupt ratings must be 2000A for 12V systems, and 4000A for 24V systems.

3.2 Configuration

The DIP switch block shown in Figure 3.1 below is used to set the operating parameters for the EcoBoost MPPT.

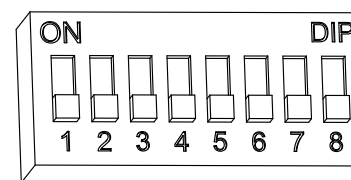


Figure 3.1. DIP Switch Block to set charging parameters

Switch 1: Load / Lighting

Mode	Switch 1
Normal	OFF
Lighting	ON

With DIP 1 ON, the EcoBoost MPPT will follow a dusk-to-dawn lighting schedule.

Switches 2, 3: System Voltage

Three (3) system voltage configurations are available as shown in the table below:

System Voltage	Switch 2	Switch 3
Auto	OFF	OFF
12	OFF	ON
24	ON	OFF


NOTE: Before connecting the battery, measure the open-circuit voltage. It must be over 10 volts to start the controller. If the system voltage Settings Switches are set to Auto-detect, battery voltage over 15.5V will be detected as a 24V nominal battery, and the unit will charge accordingly. The 12/24V auto selection is only done at start-up, and the detected system voltage will never change during operation.

Generally, the specific system voltage is known, and it is best to set DIPs 2,3 accordingly; the auto-detect setting should be used only in rare circumstances.

Switches 4, 5, 6: Battery Type Selection

Preset EcoBoost MPPT battery charging options are shown in table 3-1 below. All voltage settings listed are for nominal 12 volt batteries.

Multiply the voltage settings by two (2) for 24 volt systems.

 **NOTE:** These settings are general guidelines for use at the operator's discretion. The EcoBoost MPPT can be programmed to satisfy a wide range of charging parameters. Consult the battery manufacturer for optimal battery charge settings.

DIP Switch Settings 4-5-6	Battery Type	Absorp. Stage (volts)	Float Stage (volts)	Equalize Stage (volts)	Absorp. Time (mins)	Equalize Time (mins)	Equalize Timeout (mins)	Equalize Interval (days)	LVD (volts)	LVR (volts)
off-off-off	1 - Sealed*	14.00	13.50		150				11.50	12.60
off-off-on	2 - Sealed*	14.15	13.50	14.40	150	60	120	28	11.30	12.80
off-on-off	3 - Sealed*	14.30	13.50	14.60	150	60	120	28	11.50	13.00
off-on-on	4 - AGM/Flooded	14.40	13.50	15.10	180	120	180	28	11.70	13.20
on-off-off	5 - Flooded	14.60	13.50	15.30	180	120	180	28	11.90	13.40
on-off-on	6 - Flooded	14.70	13.50	15.40	180	180	240	28	12.10	13.60
on-on-off	7 - L-16	15.40	13.40	16.00	180	180	240	14	12.30	13.80
on-on-on	8 - Custom	Custom	Custom	Custom	Custom	Custom	Custom	Custom	Custom	Custom

* "Sealed" battery type includes gel and AGM batteries

Table 3.1. Battery charging settings for each selectable battery type


Switch 7: Battery Equalization

Mode	Switch 7
Manual Equalization	OFF
Auto Equalization	ON

Switch 8: Reserved for Future Use

3.3 Mounting

Inspect the controller for shipping damage. Mount the EcoBoost MPPT to a vertical surface (4-#8 self-tapping screws are included). Tighten the mounting screws, using care not to crack the plastic case. Do not install directly over an easily combustible surface since the heat sink may get hot under certain operating conditions.

 **NOTE:** The heat sink must be in a vertical position (fins up and down).

For proper air flow, allow at least 15 cm (6 in) of space above and below the controller, and 50 mm (2 in) at the sides - see Figure 3-2 below. Install in an area protected from direct rain and sun.

If the controller is installed in an enclosure, some ventilation is recommended. Do not locate in an enclosure where battery gases can accumulate.

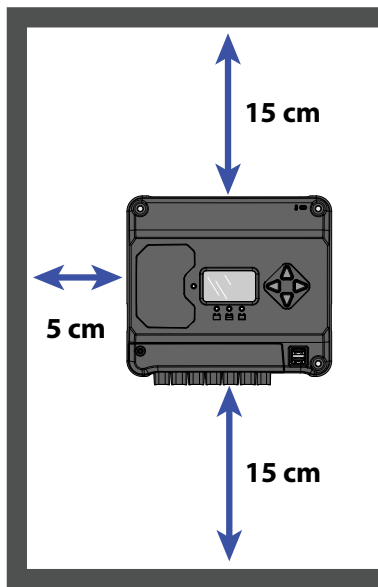


Figure 3-2. Proper Clearances for Passive Cooling

3.4 Wiring

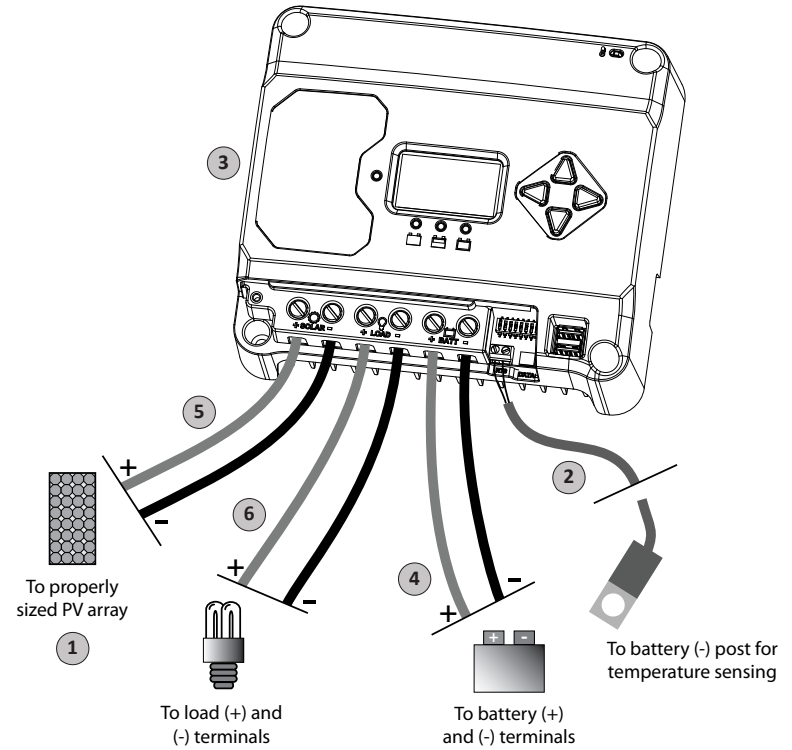


Figure 3-3. Wiring the EcoBoost MPPT

REFER TO FIGURE 3.3 WHEN USING THE WIRING INSTRUCTIONS BELOW.

STEP 1: Check Controller Limitations

Verify that the highest temperature compensated solar array open-circuit voltage (Voc), and load current do not exceed the ratings of the EcoBoost MPPT version being installed.

Multiple controllers can be installed in parallel on the same battery bank to achieve greater total charging current. In this type of system, each EcoBoost MPPT must have its own solar array. The load terminals of multiple controllers can only be wired together if the total load draw does not exceed the nameplate current of the LOWEST rated controller.

STEP 2: Remote Temperature Sensor



WARNING: Risk of Fire.

If no Remote Temperature Sensor (RTS) is connected, use the EcoBoost MPPT within 3m (10 ft) of the batteries. Internal Temperature Compensation will be used if the RTS is not connected. Use of the RTS is strongly recommended.

All charging settings are based on 25°C (77°F). If the battery temperature varies by 5°C, the charging setting will change by 0.15 Volts for a 12 Volt battery. This is a substantial change in the charging of the battery, and the use of the

optional Remote Temperature Sensor (RTS) is recommended to adjust charging to the actual battery temperature. The RTS can be added at any time after the system has been installed.

Connect the (+) and (-) RTS wires to the 2-position terminal located below the DIP switches (see figure 3.3).

The RTS is supplied with 10 m of 22 AWG (0.34 mm²) cable. There is no polarity, so either wire (+ or -) can be connected to either screw terminal. The RTS cable may be pulled through conduit along with the power wires. Tighten the connector screws to 0.56 Nm of torque. Separate installation instructions are provided inside the RTS bag.



WARNING: Equipment Damage

Never place the temperature sensor inside a battery cell. Both the RTS and the battery will be damaged.



CAUTION: The EcoBoost MPPT will use the local temperature sensor for compensation if the RTS is not used.



NOTE: The RTS cable may be shortened if the full length is not needed. Be sure to reinstall the ferrite choke on the end of the RTS if a length of cable is removed. This choke ensures compliance with electromagnetic emissions standards.

STEP 3: Grounding and Ground Fault Interruption



WARNING:

This unit is not provided with a GFDI device. This charge controller must be used with an external GFDI device as required by local regulations.



NOTE:

Depending on the country of installation, conductors identified by the color green, or a combination of green/yellow, shall only be used for earthing conductors.

Use the M4 screw on the left side of the heatsink to attach a grounding wire to the screw / heatsink, and connect the wire to the earth ground. Also tie any dead metal to earth ground.



WARNING: Risk of Fire

DO NOT bond the DC system electrical negative to the EcoBoost MPPT heatsink / earth ground. If local regulations require the use of a GFDI, the system negative must be bonded through the GFDI to earth ground at only one point.

Per IEC 62109, minimum sizes for equipment copper grounding wire are:

- EcoBoost MPPT-20 10 mm²
- EcoBoost MPPT-30 10 mm²
- EcoBoost MPPT-40 10 mm²

OR, of the same, or greater, cross-sectional area as the PV wires.

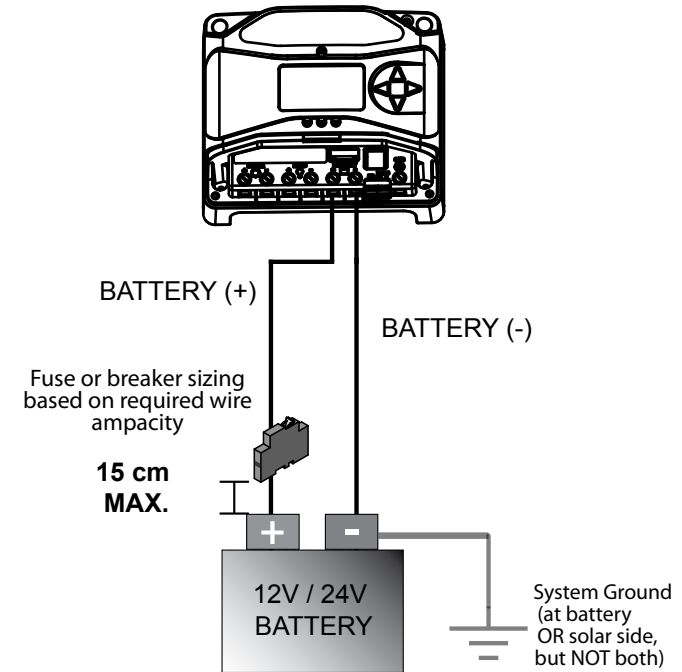
For safety, and effective lightning protection, it is recommended, and may be required by code, that the negative conductor of the charging system be properly grounded. Do not connect the negative conductor to the heatsink equipment grounding terminal.

STEP 4: Battery Connections - see diagram below

Be sure that DIP switches 2 and 3 are set for 12 or 24V, as described in Section 3.2

NOTE: Before connecting the battery, measure the open-circuit voltage. It must be over 10 volts to start the controller. If the system voltage Settings Switches are set to Auto-detect, battery voltage over 15.5V will be detected as a 24V nominal battery, and the unit will charge accordingly. The 12/24V auto selection is only done at start-up.

With the battery disconnect open, connect the battery (+) and (-) wires from the battery to controller. **DO NOT CLOSE THE BREAKER AT THIS TIME.**



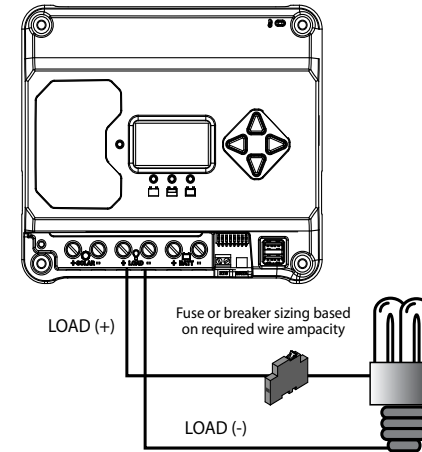
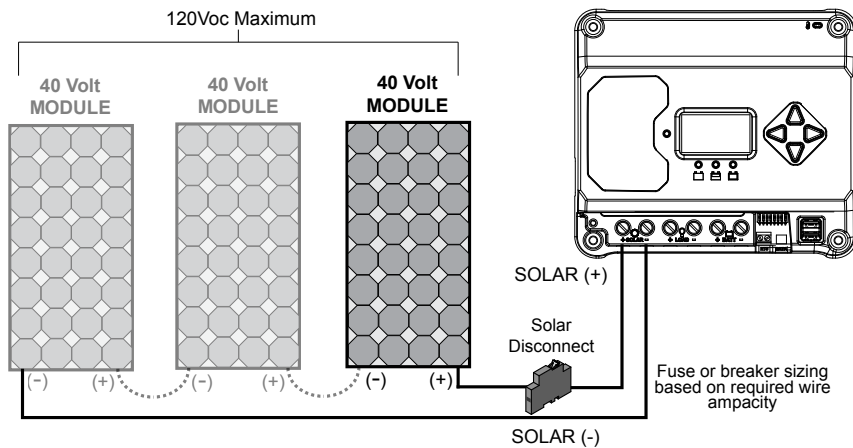
STEP 5: Solar Connections - see diagram below



WARNING: Shock Hazard

The solar PV array can produce open-circuit voltages in excess of 120 Vdc when in sunlight. Verify that the solar input breaker or disconnect has been opened (disconnected) before installing the system wires.

With the solar disconnect open, connect the solar (PV) array wires to the EcoBoost MPPT solar terminals. Use caution, since the solar array will produce current whenever in sunlight. A solar disconnect is a convenient way to break the PV connection when necessary. **DO NOT CLOSE THE BREAKER AT THIS TIME.**



STEP 7: Power-Up and Verify System Operation



NOTE: Carefully observe the LEDs after each connection. The LEDs will indicate proper polarity and a good connection.

Close the battery breaker to power on the controller. Watch the the charging status, and then the three battery state-of-charge (SOC) LEDs blink in sequence (G-Y-R), confirming proper start-up. If they do not light, check the battery polarity (+/-) and battery voltage.

Next, the green, yellow or red LED will light depending on the battery state-of-charge (SOC). Confirm that one of these LEDs is on before going to the next step.

Close the solar disconnect. If the solar input is connected while in sunlight, the charging LED indicator will light.

Confirm proper connection by observing the charging LED.

Close the load disconnect, and turn the load on, to confirm a proper connection.

If the load does not turn on, it could be for various reasons:

STEP 6: Load Connections - see diagram below



CAUTION: Equipment Damage

Do not wire any AC inverter to the load terminals of the EcoBoost MPPT. Damage to the load control circuit may result. An inverter should be wired to the battery. If there is a possibility that any other load will sometimes exceed the EcoBoost's maximum voltage or current limits, the device should be wired directly to the battery or battery bank. If load control is required, contact Morningstar Tech Support for assistance.

Turn the loads off, and connect the load wires to the load terminals. **DO NOT CLOSE THE BREAKER AT THIS TIME.**

- the EcoBoost MPPT is in LVD (red LED on)
- there is a short circuit in the load (LEDs blinking R/G – Y)
- there is an overload condition (LEDs blinking R/Y - G)
- the load is not connected, not working, or turned off

After all connections have been completed, observe the LEDs to make sure the controller is operating normally for system conditions. If the optional digital meter is used, observe that the display is scrolling with proper voltage and current values. Also, a self- test can be performed with digital meter units.

STEP 8: To Power-down



WARNING: Risk of Damage

ONLY disconnect the battery from the EcoBoost MPPT AFTER the solar input has been disconnected. Damage to the controller may result if the battery is removed while the EcoBoost MPPT is charging.

- To prevent damage, power-down must be done in the reverse order as power-up.

4.0

OPERATION

4.1 TrakStar™ MPPT Technology

The EcoBoost MPPT utilizes Morningstar’s TrakStar Maximum Power Point Tracking technology to extract maximum power from the solar module(s). The tracking algorithm is fully automatic and does not require user adjustment. TrakStar technology will track the array maximum power point voltage (V_{mp}) as it varies with weather conditions, ensuring that maximum power is harvested from the array through the course of the day.

High Voltage Strings and Grid-tie Modules

Another benefit of TrakStar MPPT technology is the ability to charge 12 or 24 Volt batteries with solar arrays of higher nominal voltages. A 12 Volt battery bank can be charged with a 12, 24, 36 or 48V nominal off-grid solar array. Certain grid-tie solar modules may also be used if the solar array open circuit voltage (V_{oc}) rating will not exceed the EcoBoost MPPT 120V maximum input voltage rating at worst-case (lowest) module temperature. The solar module documentation should provide V_{oc} vs. temperature data. Higher solar input voltage results in lower solar input current for a given input power. High voltage solar input strings allow for smaller gauge solar wiring. This is especially helpful for systems with long wiring runs between the solar array and the EcoBoost MPPT.

4.2 Battery Charging

4-Stage Charging

The EcoBoost MPPT has a 4-stage battery charging algorithm for rapid, efficient, and safe battery charging. Figure 4-1 shows the sequence of stages.

4.0

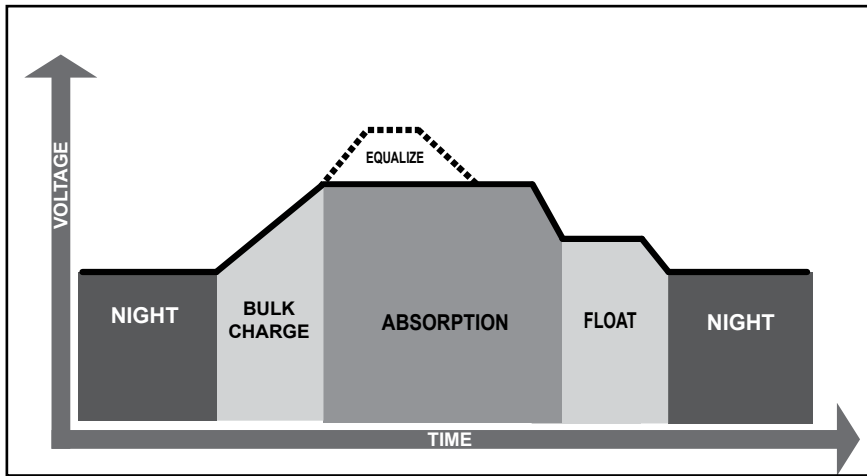


Figure 4-1. EcoBoost MPPT Charging Algorithm



WARNING: Risk of Explosion

Equalizing vented batteries produces explosive gases. The battery bank must be properly ventilated.



CAUTION: Equipment Damage

Equalization increases the battery voltage to levels that may damage sensitive DC loads. Verify all system loads are rated for the temperature compensated Equalize voltage before beginning an Equalization charge.



CAUTION: Equipment Damage

Excessive overcharging and gassing too vigorously can damage the battery plates and cause shedding of active material from the plates. An equalization that is too high or for too long can be damaging. Review the requirements for the particular battery being used in your system.

Battery Charge Settings

Preset EcoBoost MPPT battery charging options are shown in tables 4-1 and 4-2 below. All voltage settings listed are for nominal 12 Volt batteries. Multiply the voltage settings by two (2) for 24 Volt batteries.



NOTE: These settings are general guidelines for use at the operator's discretion. The EcoBoost MPPT can be programmed to satisfy a wide range of charging parameters. Consult the battery manufacturer for optimal battery charge settings.

DIP Switch Settings 4-5-6	Battery Type	Absorp. Stage (volts)	Float Stage (volts)	Equalize Stage (volts)	Absorp. Time (mins)	Equalize Time (mins)	Equalize Timeout (mins)	Equalize Interval (days)	LVD (volts)	LVR (volts)
off-off-off	1 - Sealed*	14.00	13.50		150				11.50	12.60
off-off-on	2 - Sealed*	14.15	13.50	14.40	150	60	120	28	11.30	12.80
off-on-off	3 - Sealed*	14.30	13.50	14.60	150	60	120	28	11.50	13.00
off-on-on	4 - AGM/Flooded	14.40	13.50	15.10	180	120	180	28	11.70	13.20
on-off-off	5 - Flooded	14.60	13.50	15.30	180	120	180	28	11.90	13.40
on-off-on	6 - Flooded	14.70	13.50	15.40	180	180	240	28	12.10	13.60
on-on-off	7 - L-16	15.40	13.40	16.00	180	180	240	14	12.30	13.80
on-on-on	8 - Custom	Custom	Custom	Custom	Custom	Custom	Custom	Custom	Custom	Custom

* "Sealed" battery type includes gel and AGM batteries

Table 4.1. Battery charging settings for each selectable battery type

Absorption Extension Voltage	12.50	Volts
Absorption Extension Time	Absorption Time + 30	minutes
Float Exit Time-out	30	minutes
Float Cancel Voltage	12.30	Volts
Equalize Time-out	Equalize Time + 60	minutes
Temperature Compensation Co-efficient	- 30	millivolts / °C / 12V

Table 4.2. Battery settings that are shared among all battery types

4.3 Load Control Information

The primary purpose of the load control function is to disconnect system loads when the battery has discharged to a low state of charge, and to reconnect system loads when the battery is sufficiently recharged. System loads may be lights, DC appliances, or other electronic devices. The total current draw of all loads must not exceed maximum load ratings of 20 Amps (EB-20/M) or 30 Amps (EB- 30/M or EB-40/M).



CAUTION: Equipment Damage

Do not wire any AC inverter to the load terminals of the EcoBoost. Damage to the load control circuit may result. An inverter should be wired to the battery. If there is a possibility that any other load will sometimes exceed the EcoBoost MPPT's maximum voltage or current limits, the device should be wired directly to the battery or battery bank. If load control is required, contact Morningstar Tech Support for assistance.

Current Compensation:

All LVD and LVR set-points are current compensated. Under load, the battery voltage will sag in proportion to the current draw of the load. Without the current compensation feature, a short-term large load could cause a premature LVD. LVD and LVR set-points are adjusted lower per the following table:

System Voltage	Current Compensation
12 Volt	-15 mV per amp of load
24 Volt	-30 mV per amp of load

Table 4-3. Current Compensation Values

LVD Warning:

As the battery discharges, the Battery Status LEDs will transition from green to yellow and then from yellow to flashing red. The flashing red indication is a warning that a low voltage disconnect (LVD) event will occur soon.

The amount of time between a green SOC indication and load disconnect will depend on many factors including:

- rate of discharge (amount of load draw)
- capacity of the battery
- health of the battery
- LVD set-point

If the battery discharges to the LVD set-point the load will disconnect and a solid red Battery Status LED indication will be displayed.

General Load Control Notes:

Do not wire multiple EcoBoost MPPT load outputs together in parallel to power DC loads with a current draw greater than 20 or 30A, depending on the EcoBoost MPPT model in use. Equal current sharing cannot be assured and an over-load condition will likely occur on one or more controllers.



CAUTION: Equipment Damage

Exercise caution when connecting loads with specific polarity to a live load circuit. A reverse polarity connection may damage the load. Always double check load connections before applying power.

High Temperature Current Limit

The EcoBoost MPPT will limit the solar input current if the heatsink temperature exceeds safe limits. Solar charge current will be tapered back (to 0 amps if needed) to reduce the heatsink temperature. The EcoBoost MPPT is designed to operate at full rated current at the maximum ambient temperature. This alarm indicates that there is insufficient airflow and that the heatsink temperature is approaching unsafe limits. If the controller frequently reports this alarm condition, corrective action must be taken to provide better air flow or to re-locate the controller to a cooler spot.

High Input Voltage Current Limit

The EcoBoost MPPT will limit the solar input current as the solar array Voc approaches the maximum input voltage rating. The array Voc should never exceed the 120 volt maximum input voltage - see the array voltage de-rating graph in Appendix.

Current Limit

The array power exceeds the rating of the controller. This alarm indicates that the EcoBoost MPPT is limiting battery current to the maximum current rating.

RTS Open

The Remote Temperature Sensor is not connected to the controller. Use of the RTS is recommended for proper battery charging.

Heatsink Temperature Sensor Open / Shorted

The heatsink temperature sensor is damaged. Return the controller to an authorized Morningstar dealer for service.

Uncalibrated

The controller was not factory calibrated. Return the controller to an authorized Morningstar dealer for service.

4.6 Custom Settings

4.6.1 Adjusting Set-points with the Meter Display

The EcoBoost MPPT is available in metered and non-metered versions. The metered model allows:

- Custom programming directly from the unit.
- Extensive settings adjustment and information as shown partially in Figure 4-2 below.

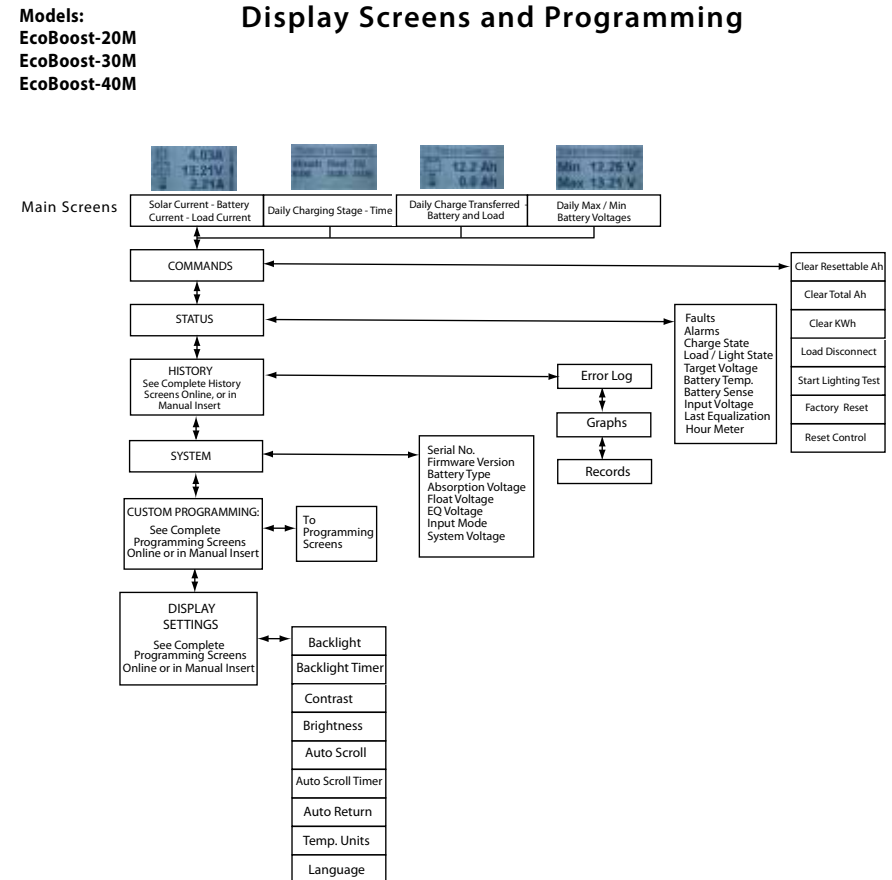


Figure 4-2. Simplified Meter Map.

For metered models, see the included complete meter map insert, also available in the EcoBoost MPPT support documents at:

www.morningstarcorp.com

4.6.2 Meter Display Operation

4.6.2.1 Directional Key Use and Operation / Navigating the Meter Map

The EcoBoost MPPT's meter map consists of two main axes: The horizontal top level daily monitoring screens, and the vertical Main Menu stacked screens. The four lighted triangular directional control keys allow movement to reach any desired point on the meter map. A lit key indicates a valid direction in the map. The current location is indicated on the display with a column heading, and a bold descriptor.

4.6.2.2 Adjusting the Meter Display

The display setting options, as shown in Figure 4-2, are adjustable by using the directional keys to locate and edit a desired setting or variable.

4.7 Data Logging (future use)

The EcoBoost MPPT logs thirty days of basic system data:

- Daily minimum battery voltage
- Daily maximum battery voltage
- Daily Events (Equalize triggered, Entered Float, Alarm/Fault occurred, Reset)
- Faults / Alarms - recorded only if a fault or alarm occurs that day
- Daily charge to battery

The EcoBoost MPPT USB Micro-B port (for future use) will allow data transfer in mobile applications.

4.8 Auxilliary USB Charging

- 1) The EcoBoost MPPT has two USB-A ports for use as charging sources for small electronics. Energy is taken from the system battery, so any auxilliary charging must be balanced with other load draws on the system battery.
- 2) The USB charging ports will operate in all conditions except for LVD, HVD, or a user requested Load Disconnect (from a meter command, for example). In LVD, HVD & Load Disconnect, the main load and the USB ports are powered off.
- 3) If the main load gets faulted for some reason (shorted FET, etc), the USB charging ports will still operate.

4.9 Inspection and Maintenance

Table 4-6 below lists the recommended maintenance schedule to keep your EcoBoost MPPT performing optimally.



WARNING: RISK OF ELECTRICAL SHOCK.
NO POWER OR ACCESSORY TERMINALS ARE ELECTRICALLY ISOLATED FROM DC INPUT, AND MAY BE ENERGIZED WITH HAZARDOUS SOLAR VOLTAGE. UNDER CERTAIN FAULT CONDITIONS, BATTERY COULD BECOME OVERCHARGED. TEST BETWEEN ALL TERMINALS AND GROUND BEFORE TOUCHING.



WARNING: SHOCK HAZARD
DISCONNECT ALL POWER SOURCES TO THE CONTROLLER BEFORE REMOVING THE WIRING BOX COVER. NEVER REMOVE THE COVER WHEN VOLTAGE EXISTS ON THE ECOBOOST MPPT POWER CONNECTIONS.

Schedule	Maintenance Items
2 weeks after installation	Re-tighten power terminal connections to specified torque values.
3 months after installation	Re-tighten power terminal connections to specified torque values.
Monthly or After Each Equalization	<p>Inspect the battery bank. Look for cracked or bulging cases, and corroded terminals.</p> <p>For wet cell (flooded type) batteries, make sure the water level is correct. Wet cell water levels should be checked monthly or according to the manufacturer's recommendations.</p>
Annually	<p>Clean the heatsink fins with a clean, dry rag.</p> <p>Inspect all wiring for damage or fraying.</p> <p>Inspect for nesting insects.</p> <p>Re-tighten all wiring terminal connections to specified torque values.</p> <p>Inspect the system earth grounding for all components. Verify all grounding conductors are appropriately secured to earth ground.</p>

Table 4-6. Maintenance Schedule

5.0 TROUBLESHOOTING



WARNING: RISK OF ELECTRICAL SHOCK.
NO POWER OR ACCESSORY TERMINALS ARE ELECTRICALLY ISOLATED FROM DC INPUT, AND MAY BE ENERGIZED WITH HAZARDOUS SOLAR VOLTAGE. UNDER CERTAIN FAULT CONDITIONS, BATTERY COULD BECOME OVERCHARGED. TEST BETWEEN ALL TERMINALS AND GROUND BEFORE TOUCHING.



WARNING: SHOCK HAZARD
A MEANS OF DISCONNECTING ALL POWER SUPPLY POLES MUST BE PROVIDED. THESE DISCONNECTS MUST BE INCORPORATED IN THE FIXED WIRING. OPEN ALL POWER SOURCE DISCONNECTS BEFORE REMOVING CONTROLLER WIRING COVER, OR ACCESSING WIRING.

5.1 LED Fault Indications

Load Over-current

Error Status LED: Flashing red. Battery status LEDs: R/Y-G sequencing. If the load current exceeds the maximum load current rating, the EcoBoost MPPT will disconnect the load. The greater the overload the faster the load will be disconnected. A small overload could take a few minutes to disconnect. The EcoBoost MPPT will attempt to reconnect the load two (2) times. Each attempt is approximately 10 seconds apart. If the overload remains after two (2) attempts, the load will remain disconnected until power is removed and re-applied.

Solar Short Circuit

Charging Status LED: OFF. Solar input power wires are short-circuited. Charging automatically resumes when the short is cleared.

Battery Reverse Polarity

No LED indication, the unit is not powered. No damage to the controller will result. Correct the miswire to resume normal operation.

Load Short Circuit

Error status LED: Flashing red. Battery status LEDs: R/G-Y sequencing. Fully protected against load wiring short-circuits. After two (2) automatic load reconnect attempts (10 seconds between each attempt) the EcoBoost MPPT will wait, and then automatically reconnect the load, once the short is cleared.

High Solar Voltage Disconnect

Charging Status LED: R flashing. No battery status errors. If the solar input open-circuit voltage (Voc) exceeds the 120 volt maximum rating, the array will remain disconnected until the Voc falls safely below the maximum rating.

Remote Temperature Sensor (RTS)

Error status LED: Flashing red. Battery status LEDs: R/Y - G/Y sequencing. A bad RTS connection or a severed RTS wire has disconnected the temperature sensor during charging. Charging automatically resumes when the problem is fixed. To resume operation without an RTS, disconnect all power to the EcoBoost MPPT and then reconnect. If the controller is re-started with the failure still present, the controller may not detect that the RTS is connected, and the LEDs will not indicate a fault. A metered model, an RM-1 meter, or MSView PC software can be used to determine if the RTS is working properly.

Battery / Load High Voltage Disconnect (HVD)

Error status LED: Flashing red. Battery status LEDs: R-G sequencing. This fault is set when battery voltage is above normal operating limits. The controller will disconnect the solar input and set a High Voltage Disconnect fault. This fault is commonly caused by other charging sources in the system, charging the battery above the EcoBoost MPPT regulation voltage. Recovery occurs at HVD re-connect threshold, and the fault will automatically clear. See Section 7 - Technical Specifications for values.

High Heatsink Temperature

Error status LED: Flashing red. Battery status LEDs: R-Y sequencing. The heatsink temperature has exceeded safe limits and the load is disconnected. The load will automatically reconnect when the heatsink cools to a safe temperature.

Battery Over-current

Error status LED: Flashing red. Battery status LEDs: R/Y-G sequencing. While rare, if battery current exceeds approximately 130% of the controller's output current rating, this fault can occur. The fault is generally related to fast, large battery voltage transients (connecting a very heavy or capacitive load like an inverter) that are faster than the controller can regulate, and it shuts off to protect the circuitry. The controller will automatically re-start in 10 seconds.

Settings (DIP) Switch Changed

Error status LED: Flashing red. Battery status LEDs: R-Y-G sequencing. If a settings switch is changed while there is power to the controller, the LEDs will begin sequencing and the solar input will disconnect. The controller must be re-started to clear the fault and begin operation with the new settings.

Custom Settings Edit

Error status LED: Flashing red. Battery status LEDs: R-Y-G sequencing. A value has been modified in custom settings memory. The controller will stop charging and indicate a fault condition. After all settings have been modified, the controller must be reset by removing and then restoring power to the controller. The new programmed settings will be used after the power reset.

Firmware Update Failure

The firmware update was not successfully programmed. The controller will not indicate the full power-up LED sequence of G-Y-R when power to the controller is reset. Instead, the controller will display green, and then stop on yellow. The yellow LED will continue to be lit and the controller will not complete start up or begin charging.

Re-try the firmware update. The firmware must be successfully loaded before the controller will start up.

SOLID CHARGING STATUS LED with SELF-TEST (R-Y-G) SOC FAULTS

Verify that nothing has been mis-wired. If not, the error is likely critical. Contact an authorized Morningstar dealer for support.

Fault	Charging Status LED	Battery SOC LEDs
PV FET Short	Solid red	R-Y-G sequencing
Load FET Short	Solid red	R-Y-G sequencing
Load FET Open	Solid red	R-Y-G sequencing
Damaged local temperature sensor	Solid red (only if RTS is invalid)	R-Y-G sequencing
Damaged heatsink temperature sensor	Solid red	R-Y-G sequencing
Software	Solid red	R-Y-G sequencing

RE-SETTABLE SELF-TEST (R-Y-G) SOC FAULTS

Fault		Battery SOC LEDs
Custom Settings Edit	-	R-Y-G sequencing
DIP Switch Change	-	R-Y-G sequencing

5.2 Battery Charging and Performance Issues

Problem:

No LED indications, controller does not appear to be powered

Solution:

With a multi-meter, check the voltage at the battery terminals on the EcoBoost MPPT. Battery voltage must be 10 vdc or greater. If the voltage on the battery terminals of the controller is between 10 and 35 vdc, and no LEDs are lit, contact your authorized Morningstar dealer for service. If no voltage is measured, check wiring connections, fuses, and breakers.

Problem:

The EcoBoost MPPT is not charging the battery.

Solution:

Check the three (3) battery SOC LEDs. If they are flashing in a sequence, see Section 4.5 LED indications of this manual to determine the cause. A metered model, an RM-1 meter, or MSView PC software will display active faults and alarms.

If the LED indications are normal, check the fuses, breakers, and wiring connections in the power source wiring. With a multi-meter, check the array voltage directly at the EcoBoost MPPT solar input terminals. Input voltage must be greater than battery voltage before charging will begin.

Problem:

Controller makes buzzing and humming noises.

Solution:

No action is required. This is expected due to magnetic resonance and circuit switching.

If troubleshooting does not correct the problem, please refer to Morningstar's Warranty Claim Procedure in Section 6.

6.0 WARRANTY

LIMITED WARRANTY Morningstar Solar Controllers and Inverters

The EcoBoost MPPT is warranted to be free from defects in material and workmanship for a period of TWO (2) years from the date of shipment to the original end user. Morningstar will, at its option, repair or replace any such defective products.

WARRANTY EXCLUSIONS AND LIMITATIONS:

This warranty does not apply under the following conditions:

- ◆ Damage by accident, negligence, abuse or improper use
- ◆ PV or load currents exceeding the ratings of the product
- ◆ Unauthorized product modification or attempted repair
- ◆ Damage occurring during shipment
- ◆ Damage results from acts of nature such as lightning and weather extremes

THE WARRANTY AND REMEDIES SET FORTH ABOVE ARE EXCLUSIVE AND IN LIEU OF ALL OTHERS, EXPRESS OR IMPLIED. MORNINGSTAR SPECIFICALLY DISCLAIMS ANY AND ALL IMPLIED WARRANTIES, INCLUDING, WITHOUT LIMITATION, WARRANTIES OF MERCHANTABILITY AND FITNESS FOR A PARTICULAR PURPOSE. NO MORNINGSTAR DISTRIBUTOR, AGENT OR EMPLOYEE IS AUTHORIZED TO MAKE ANY MODIFICATION OR EXTENSION TO THIS WARRANTY.

MORNINGSTAR IS NOT RESPONSIBLE FOR INCIDENTAL OR CONSEQUENTIAL DAMAGES OF ANY KIND, INCLUDING BUT NOT LIMITED TO LOST PROFITS, DOWN-TIME, GOODWILL OR DAMAGE TO EQUIPMENT OR PROPERTY.

R15-8/15

7.0 TECHNICAL SPECIFICATIONS

EB-MPPT-20/M EB-MPPT-30/M EB-MPPT-40/M

Electrical:

Nominal Battery Voltage	12 volts or 24 volts (all)		
Battery Voltage Range	10-35 volts (all)		
Voltage Accuracy	0.1% +/- 50mV (all)		
Max. Battery Current	20 Amps	30 Amps	40 Amps
Max. PV Open-Circuit Voltage	All: 120 Volts		
Load Current Rating	20 Amps	30 Amps	30 Amps
Self Consumption	< 25mA (no meter) <40mA (meter)		
LED Indications	(1) status, (3) battery SOC		
Transient Surge Protection	4500 watts (solar, battery, load)		
Conversion Efficiency (peak)	97.3% (all)		

Mechanical:

Dimensions (cm)	19.6(W) x 18.1(L) x 7.1(D)		
Weight (kg)	1.4		
Wire Size Range:			
Power Terminals (maximum torque)	2.5 - 16 mm ² / #14 - 2 AWG 3.95 Nm		
Temp. Sense	0.25 - 1.0 mm ² / #24 - 16 AWG		
Enclosure	IP20, Type 1		

Battery Charging:

4-Stage Charging:	Bulk, Absorption, Float, Equalize
Temperature compensation Coefficient:	-30mV / 12 volt / °C
Temperature compensated set-points:	Absorption, Float, Equalize, HVD and HVDR (solar)

Battery Charging Set-points (@ 25°C):
[multiply voltages by (2) for 24 volt systems]

DIP Switch Settings 4-5-6	Battery Type	Absorp. Stage (volts)	Float Stage (volts)	Equalize Stage (volts)	Absorp. Time (mins)	Equalize Time (mins)	Equalize Timeout (mins)	Equalize Interval (days)	LVD (volts)	LVR (volts)
off-off-off	1 - Sealed*	14.00	13.50		150				11.50	12.60
off-off-on	2 - Sealed*	14.15	13.50	14.40	150	60	120	28	11.30	12.80
off-on-off	3 - Sealed*	14.30	13.50	14.60	150	60	120	28	11.50	13.00
off-on-on	4 - AGM/Flooded	14.40	13.50	15.10	180	120	180	28	11.70	13.20
on-off-off	5 - Flooded	14.60	13.50	15.30	180	120	180	28	11.90	13.40
on-off-on	6 - Flooded	14.70	13.50	15.40	180	180	240	28	12.10	13.60
on-on-off	7 - L-16	15.40	13.40	16.00	180	180	240	14	12.30	13.80
on-on-on	8 - Custom	Custom	Custom	Custom	Custom	Custom	Custom	Custom	Custom	Custom

* "Sealed" battery type includes gel and AGM batteries

Current Compensation:

12 Volt systems -15 mV / A
 24 Volt systems -30 mV / A
 Compensated set-points LVD
 Compensation threshold 3A

Load and Solar Control (multiply voltages by (2) for 24 volt systems):

Default values (customizable)

LVD / USB charging See table above
 LVR See table above
 Instant LVD 10.0V
 HVD - solar Current stage set-point + 0.5V (@ 25°C)
 HVD - load / USB charging 15.3V
 HVDR - solar 13.8V (@ 25°C)
 HVDR - load USB charging 14.5V
 LVD Warning 10 minutes
 LVD Override 10 minutes
 Maximum # LVD overrides No limit unless V_{batt} < Instant LVD
 (not customizable)

Lighting Control (DIP 1 ON):

Lighting Timer Setting Dusk-Dawn (default)
 Lighting Test Timer 5 minutes

Data & Communications:

Data Port (future use) USB Micro-B
 Datalogging (future use) 30-day maximum
 Comm. Protocol Serial

Digital Meter:

Resolution 128 x 64
 Viewing Area 70mm x 40mm
 Display Color blue on white
 Backlight LED
 Operating Temperature -20°C to +60°C
 Storage Temperature -30°C to +80°C

Environmental:

Maximum Operating Altitude 2000 meters
 Operating Temperature -40°C to +60°C
 Storage Temperature -40°C to +80°C
 Humidity 100% n.c.
 Tropicalization Conformally coated PCBs;
 Marine-rated terminals

Protections

Power-up against any active faults
 Reverse Polarity - battery and array
 Solar Short-Circuit
 Solar High Voltage Disconnect
 High Heatsink Temperature - Current De-rating
 High Heatsink Temperature - Load Disconnect
 Load Short-Circuit
 Load Over-Current
 Heatsink Temperature Limit
 RTS Terminals

8.0 CERTIFICATIONS



- Complies with CSA-C22.2 No. 107.1
- IEC 62109-1
- FCC Class B compliant

ENs Directives:

- Complies with ENs and LVD standards for CE marking
- EN 62109-1
- Emissions 55014-1
- Immunity 55014-2

EcoBoost MPPT™ is a trademark of Morningstar Corporation

©2018 Morningstar Corporation. All rights reserved.

MS-002243 v2.3

EcoBoost MPPT™

Régulateur de charge solaire
Solarladesystem-Regler
Controlador del sistema de carga solar

Manuel de l'utilisateur...46
Bedienerhandbuch.....87
Manual del operador.....128

Le présent document est un manuel abrégé. Pour consulter le manuel intégral du produit, veuillez vous référer à la version papier en anglais ou à la version électronique sur :
www.morningstarcorp.com

Dieses Handbuch wurde gekürzt. Das vollständige Produkthandbuch finden Sie in der gedruckten englischen Version des Handbuchs oder in elektronischer Version unter: www.morningstarcorp.com

Este es un manual resumido. Para consultar el manual completo del producto, consulte la versión impresa en inglés del manual o la versión que se encuentra en: www.morningstarcorp.com

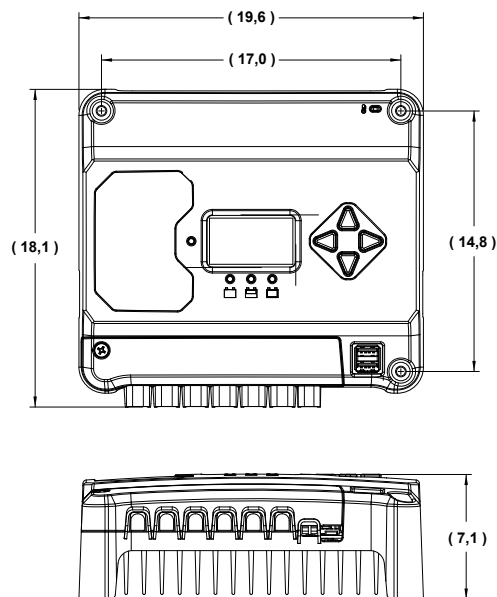


MODELS

EB-MPPT-20	EB-MPPT-20M
EB-MPPT-30	EB-MPPT-30M
EB-MPPT-40	EB-MPPT-40M



DIMENSIONS (centimètres)



SYNTHÈSE DES SPÉCIFICATIONS

	EB-MPPT-20	EB-MPPT-30	EB-MPPT-40
Tension nominale de la batterie	12 / 24 V	12 / 24 V	12 / 24 V
Tension maximale en circuit ouvert du système PV*	120 V	120 V	120 V
Puissance d'entrée nominale maximale**	300 / 600 W	400 / 800 W	560 / 1120 W
Courant maximal de charge de la batterie	20 A	30 A	40 A
Courant de charge nominal	20 A	30 A	30 A

*La tension du générateur ne doit jamais excéder cette limite.

**Les niveaux de puissance indiqués correspondent à la puissance maximale pouvant être prise en charge par le PS-MPPT. Il est possible d'utiliser des générateurs plus puissants sans endommager le régulateur.

1.0 CONSIGNES DE SÉCURITÉ IMPORTANTES

CONSERVEZ CES INSTRUCTIONS.

Le présent manuel contient des consignes de sécurité et des instructions d'installation et d'utilisation importantes pour le régulateur de charge solaire EcoBoost MPPT.

Les symboles suivants sont utilisés tout au long du présent manuel pour signaler les situations potentiellement dangereuses ou souligner les consignes de sécurité importantes :



ATTENTION : signale une situation potentiellement dangereuse. Faites preuve d'une extrême prudence pour effectuer cette tâche.



MISE EN GARDE : signale une procédure essentielle pour l'utilisation sûre et adéquate du régulateur.



REMARQUE : signale une procédure ou une fonction importante pour l'utilisation sûre et adéquate du régulateur.

Informations relatives à la sécurité

- Veuillez lire l'intégralité des instructions et des mises en garde contenues dans le présent manuel avant de procéder à l'installation.
- Le EcoBoost MPPT ne contient aucune pièce susceptible d'être réparée par l'utilisateur. Ne démontez pas le régulateur et n'essayez pas de le réparer.



ATTENTION : risque d'électrocution. AUCUNE BORNE ACCESSOIRE OU D'ALIMENTATION N'EST ISOLÉE ÉLECTRIQUEMENT DE L'ENTRÉE DC. ELLES PEUVENT DONC ÊTRE SOUMISES À UNE TENSION SOLAIRE DANGEREUSE. DANS CERTAINS CAS DE DÉFAILLANCE, LA BATTERIE POURRAIT SUBIR UNE SURCHARGE. EFFECTUEZ UN TEST ENTRE TOUTES LES BORNES ET LA MISE À LA TERRE AVANT TOUTE MANIPULATION.



ATTENTION : LE PORT DE COMMUNICATION DOIT ÊTRE DVC B. UNE ISOLATION EXTERNE EST REQUISE SI ELLE EST CONNECTÉE À UN CIRCUIT DVC A.

- L'utilisation d'un sectionneur solaire et d'un sectionneur de batterie externes est requise.
- Débranchez toutes les sources d'alimentation du régulateur avant d'installer ou de régler l'EcoBoost MPPT.
- L'EcoBoost MPPT ne contient pas de fusibles ni de sectionneurs. N'essayez pas de le réparer.

Consignes de sécurité lors de l'installation

- Montez l'EcoBoost MPPT à l'intérieur. Installez-le à l'abri des éléments et des infiltrations d'eau.
- Installez l'EcoBoost MPPT à l'abri de tout contact accidentel. Le dissipateur thermique EcoBoost MPPT peut devenir très chaud lors du fonctionnement.
- Utilisez des outils isolés pour travailler sur les batteries.
- Évitez de porter des bijoux lors de l'installation.
- Le banc de batteries doit être composé de batteries du même type, de la même marque et du même âge.
- Certifié IEC 62109 pour utilisation avec mise à la terre négative et systèmes flottants uniquement.
- Ne pas fumer à proximité du banc de batteries.
- Les branchements électriques doivent demeurer serrés afin d'éviter toute chaleur excessive due à un branchement lâche.
- Utilisez des conducteurs et des interrupteurs de circuit adaptés.
- Ce régulateur de charge doit être raccordé exclusivement à des circuits DC. Ces raccordements DC sont identifiés à l'aide du symbole suivant :



Symbole du courant continu

Le régulateur EcoBoost MPPT doit être installé par un technicien qualifié conformément à la réglementation relative aux équipements électriques en vigueur dans le pays d'installation.

Un dispositif de sectionnement doit être mis en place pour l'ensemble des pôles d'alimentation. Ce dispositif doit être incorporé au câblage fixe.

Les bornes d'alimentation négatives de l'EcoBoost MPPT sont ordinaires et doivent être mises à la terre conformément aux instructions, aux codes locaux et à la réglementation.

Une mise à la terre permanente et fiable doit être établie via la borne de terre de l'EcoBoost MPPT.

Le conducteur de terre doit être protégé contre toute déconnexion accidentelle.

Consignes de sécurité relatives à la batterie



ATTENTION : les batteries peuvent présenter un risque d'électrocution ou de brûlure en raison des quantités importantes de courant de court-circuit ainsi qu'un risque d'incendie ou d'explosion lié aux gaz libérés. Veuillez prendre les précautions requises.



ATTENTION : risque d'explosion. Veuillez à mettre au rebut les batteries de manière appropriée. Ne jetez pas les batteries au feu. Veuillez vous référer à la réglementation ou aux codes locaux pour connaître les exigences en matière de mise au rebut.



MISE EN GARDE : lors du remplacement des batteries, veuillez utiliser les valeurs, dimensions, types et caractéristiques nominales approprié(e)s en fonction de l'application et du design du système.



MISE EN GARDE : ne pas ouvrir ou abîmer les batteries. L'électrolyte qu'elles contiennent est dangereux pour la peau et peut être toxique.

- L'entretien des batteries doit être effectué ou supervisé par des employés qualifiés pour la manipulation de batteries dans le respect des mesures de sécurité appropriées.
- Soyez extrêmement prudent lorsque vous travaillez avec des batteries plomb-acide de grande taille. Portez une protection oculaire et gardez de l'eau fraîche à disposition en cas de contact avec l'acide de la batterie.

- Retirez montres, bagues, bijoux et tout autre objet métallique avant de travailler sur des batteries.
- Portez des gants et des bottes de caoutchouc.
- Utilisez des outils dotés de poignées isolées et évitez de placer des outils ou des objets métalliques au-dessus des batteries.
- Déconnectez la source de charge avant de raccorder ou de déconnecter les bornes de la batterie.
- Déterminez si la batterie est mise à la terre involontairement. Si c'est le cas, retirez la source du contact relié à la terre. Tout contact avec une batterie mise à la terre entraîne un risque d'électrocution. La probabilité d'une électrocution peut être réduite si les masses sont retirées pendant l'installation et la maintenance (applicable aux alimentations de l'équipement et de la batterie à distance sans circuit d'alimentation secteur relié à la terre).
- Lisez attentivement les instructions du fabricant de la batterie avant d'installer, de raccorder ou de retirer les batteries de l'EcoBoost MPPT.
- Faites attention à ne pas court-circuiter les câbles reliés à la batterie.
- Demandez à quelqu'un de rester à proximité pour vous aider en cas d'accident.
- Des gaz de batterie explosifs peuvent être libérés lors de la charge. Assurez-vous que la ventilation est suffisante pour permettre à ces gaz de s'échapper.
- Ne fumez jamais à proximité de la batterie.
- En cas de contact entre l'acide de la batterie et la peau, lavez-la avec de l'eau savonneuse. Si l'acide entre en contact avec les yeux, rincez abondamment avec de l'eau fraîche et consultez un médecin.
- Assurez-vous que le niveau de l'électrolyte de la batterie est suffisant avant la mise en charge. N'essayez pas de charger une batterie gelée.
- Recyclez la batterie en cas de remplacement.

2.0 INFORMATIONS GÉNÉRALES

2.1 Caractéristiques

Les caractéristiques du EcoBoost MPPT sont illustrées dans la figure 2-1 ci-dessous. Chaque caractéristique est expliquée.

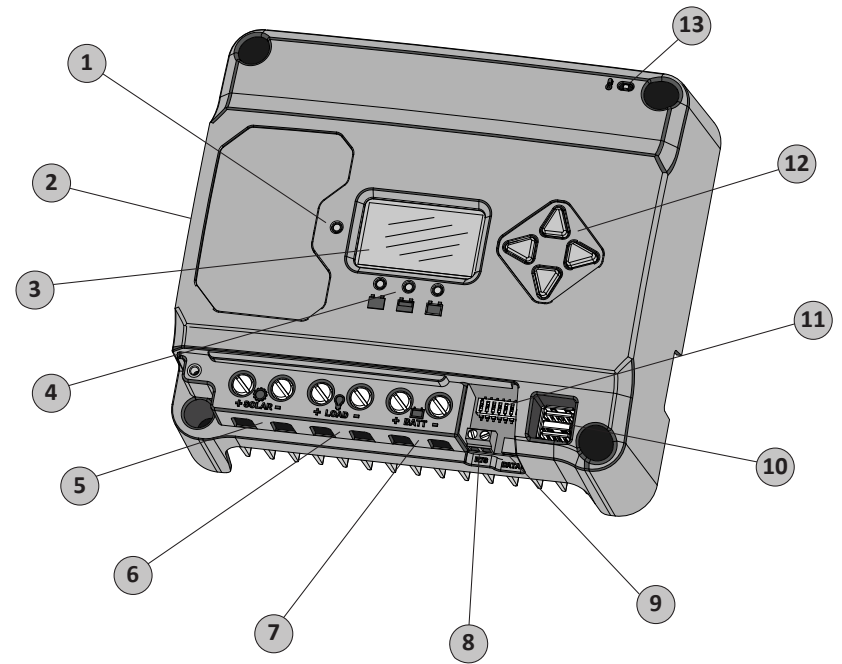


Figure 2-1. Caractéristiques de l'EcoBoost MPPT

1 – DEL d'état de charge / d'erreur

Indique l'état du courant de charge et les erreurs

2 – Dissipateur thermique / vis de mise à la terre

(vis M4 pour la mise à la terre du dissipateur thermique)

Le dissipateur thermique en aluminium (situé sur la face postérieure) dissipe la chaleur du régulateur (pour plus de fiabilité, le EcoBoost MPPT est refroidi de manière entièrement passive)

3 – Écran du compteur

Écran LCD numérique pour le suivi et la programmation

4 – Indicateurs DEL d'état de la batterie / d'anomalie

Trois indicateurs DEL d'état de charge (SOC) indiquent l'état de charge et les anomalies du régulateur

5 – Bornes PV positive et négative

Connexions d'alimentation destinées aux terminaisons des câbles PV positif et négatif

6 – Bornes de charge positive et négative

Connexions d'alimentation destinées aux terminaisons des câbles de charge positif et négatif

7 – Bornes positive et négative de la batterie

Connexions d'alimentation destinées aux terminaisons des câbles positif et négatif de la batterie

8 – Bornes du capteur de température distant (RTS)

Points de connexion pour le contrôle de la température à distance à l'aide d'un RTS Morningstar

9 – Port de données USB micro-B (utilisation future)

Port USB micro-B pour la transmission (future) de données

10 – Ports de charge USB

Prises USB pour charger des appareils électroniques

11 – Interrupteurs DIP

Huit (8) commutateurs permettent de configurer l'utilisation de l'EcoBoost MPPT

12 – Touches directionnelles du compteur

Utilisées pour naviguer dans la structure des programmes du compteur

13 – Capteur de température local

Compense la charge en fonction de la température ambiante (non utilisé si le capteur de température distant est connecté)

2.2 Accessoires optionnels

Les accessoires suivants peuvent être achetés séparément auprès de votre distributeur Morningstar agréé :

Capteur de température distant (modèle : RTS)

Le RTS mesure la température de la batterie pour une compensation précise de la température. Son utilisation est recommandée lorsque la température ambiante de la batterie diffère de 5° C. La longueur standard du câble est de 10 m.



REMARQUE : *l'utilisation d'un capteur de température à distance est fortement recommandée. L'emplacement du régulateur, le flux d'air et l'alimentation système peuvent grandement influencer la lecture du capteur de température local. Un RTS fournit une performance de charge optimale.*

Dispositif de protection contre les défauts à la terre (GFPD-150V)

Comme mesure de sécurité, le GFPD-150V détecte les défauts à la terre et les interruptions de courant de la source d'alimentation.

3.1 Remarques générales relatives à l'installation

- Veuillez lire l'intégralité de la section relative à l'installation avant de commencer l'installation.
- Soyez extrêmement prudent lorsque vous travaillez avec des batteries. Portez des protections oculaires. Prévoyez de l'eau fraîche pour rincer ou nettoyer en cas de contact avec l'acide des batteries.
- Utilisez des outils isolés et évitez de placer des objets en métal à proximité des batteries.



ATTENTION : endommagement de l'équipement des risques de l'explosion

N'installez jamais l'EcoBoost MPPT dans une armoire dotée de batteries ouvertes. Les gaz émanant de la batterie sont inflammables et corrodent et détruisent les circuits de l'EcoBoost MPPT.



MISE EN GARDE : endommagement de l'équipement

Lors de l'installation de l'EcoBoost MPPT dans une armoire, veillez à une aération suffisante. L'installation dans une armoire étanche entraîne une surchauffe et réduit la durée de vie du produit.

- Installez le régulateur à l'abri des infiltrations d'eau.
- Les branchements électriques lâches et / ou les câbles corrodés peuvent entraîner des connexions résistives susceptibles de faire fondre l'isolation des câbles, de brûler les matériaux situés à proximité, voire de provoquer un incendie. Assurez-vous que les raccordements sont serrés et utilisez des serre-câbles pour fixer les câbles et les empêcher de bouger dans les applications mobiles.
- Les profils de charge pré-réglés sont généralement conçus pour des batteries plomb-acide. Des paramètres personnalisés peuvent être utilisés pour différentes exigences de charge (consultez les sections 3.2 et 4.7 pour plus d'informations). Veuillez noter que certains types de batteries ne sont pas compatibles.

- Les bornes de la batterie de l'EcoBoost MPPT peuvent être raccordées à une batterie ou à un banc de batteries. Les instructions suivantes mentionnent une batterie unique, il est toutefois entendu que les bornes de la batterie peuvent être raccordées à une batterie unique ou à un groupe de batteries dans un banc de batteries.
- L'EcoBoost MPPT comporte des éléments de fixation autotaraudeurs, un dissipateur thermique en aluminium anodisé et un revêtement conforme qui le protège des conditions extrêmes. Toutefois, afin de garantir une durée de vie correcte, évitez d'exposer l'appareil à des températures extrêmes ou à des environnements marins.
- L'EcoBoost MPPT empêche tout courant de fuite inverse pendant la nuit, il n'est donc pas nécessaire d'installer une diode de blocage dans le système.
- L'EcoBoost MPPT est EXCLUSIVEMENT conçu pour réguler l'énergie solaire (photovoltaïque). Toute connexion avec une autre source d'alimentation (éolienne, moteur éolien, etc.) peut entraîner l'annulation de la garantie. Toutefois, d'autres sources d'alimentation peuvent être connectées directement à la batterie.
- La section maximale des câbles des bornes d'alimentation est de 6 AWG / 16 mm² (monobrin / multibrins) ou de 8 AWG / 10 mm² (brin fin). Utilisez un tournevis isolé à tête plate et serrez fermement selon un couple allant jusqu'à 3,95 Nm.
- Les câbles multibrins devant être connectés aux bornes de l'EcoBoost MPPT doivent être préalablement préparés (collier sur les extrémités en cuivre, etc.) afin d'éviter que des fils conducteurs ne puissent s'échapper de la vis de raccordement et entrer en contact avec l'armoire métallique.



ATTENTION : le système doit comporter des fusibles PV et de batterie ou des sectionneurs DC. Ces dispositifs de protection sont externes au régulateur EcoBoost MPPT et ne doivent pas excéder 25 A pour l'EB-20/M, 35 A pour l'EB-30/M et 50 A pour l'EB-40/M.



ATTENTION : des caractéristiques nominales inférieures peuvent être requises pour les sectionneurs et les fusibles afin de ne pas excéder le courant admissible spécifique de certains câbles.



ATTENTION : les caractéristiques nominales d'interruption du dispositif de protection contre les surcharges doivent être d'au moins 2 000 A pour les systèmes 12 V et 4 000 A pour les systèmes 24 V.

3.2 Configuration

Le boîtier DIP illustré sur la figure 3.1 ci-dessous est utilisé pour définir les paramètres de fonctionnement de l'EcoBoost MPPT.

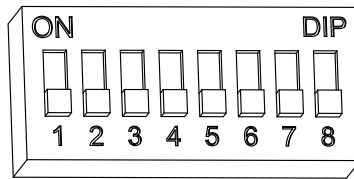


Figure 3.1. Boîtier DIP pour la définition des paramètres de charge

Interrupteur 1 : Charge / Éclairage

Mode	Interrupteur 1
Normal	OFF
Éclairage	ON

Lorsque DIP 1 est activé, l'EcoBoost MPPT programme l'éclairage du crépuscule à l'aube.

Interrupteurs 2 et 3 : Tension système

Trois (3) configurations sont disponibles pour la tension système, comme indiqué dans le tableau ci-dessous :

Tension système	Interrupteur 2	Interrupteur 3
Auto	OFF	OFF
12	OFF	ON
24	ON	OFF

REMARQUE : avant de raccorder la batterie, mesurez la tension en circuit ouvert. Celle-ci doit être supérieure à 10 V pour démarrer le régulateur. Si les interrupteurs de paramétrage de la tension système sont réglés sur auto-détection, toute tension de batterie supérieure à 15,5 V est détectée en tant que batterie à tension nominale de 24 V et l'unité adapte la charge en conséquence. La sélection automatique 12 / 24 V est effectuée uniquement au démarrage et la tension système détectée ne changera jamais pendant le fonctionnement.

En règle générale, la tension système spécifique est connue, il est donc préférable de régler les interrupteurs DIP 2 et 3 en conséquence. Le paramètre d'auto-détection ne doit être utilisé que de manière exceptionnelle.

Interrupteurs 4, 5 et 6 : Sélection du type de batterie

Les options pré-réglées de charge de la batterie de l'EcoBoost MPPT figurent dans le tableau 3-1 ci-dessous. Tous les paramètres de tension indiqués correspondent à des batteries ayant une tension nominale de 12 V.

Multipliez les paramètres de tension par deux (2) pour les systèmes 24 V.



REMARQUE : Ces paramètres sont des indications générales dont l'utilisation est laissée à la discrétion de l'utilisateur. Le EcoBoost MPPT peut être programmé pour répondre à un large éventail de paramètres de charge. Renseignez-vous auprès du fabricant de la batterie pour en connaître les paramètres de charge optimaux.

Paramétrage des interrupteurs DIP 4, 5 et 6	Type de batterie	Phase d'absorption (V)	Phase d'entretien (V)	Phase d'égalisation (V)	Temps d'absorption (min.)	Temps d'égalisation (min.)	Durée limite d'égalisation (min.)	Intervalle d'égalisation (jours)	LVD (V)	LVR (V)
off - off - off	1 - Étanche*	14,00	13,50		150				11,50	12,60
off - off - on	2 - Étanche*	14,15	13,50	14,40	150	60	120	28	11,30	12,80
off - on - off	3 - Étanche*	14,30	13,50	14,60	150	60	120	28	11,50	13,00
off - on - on	4 - AGM / ouverte	14,40	13,50	15,10	180	120	180	28	11,70	13,20
on - off - off	5 - Ouverte	14,60	13,50	15,30	180	120	180	28	11,90	13,40
on - off - on	6 - Ouverte	14,70	13,50	15,40	180	180	240	28	12,10	13,60
on - on - off	7 - L16	15,40	13,40	16,00	180	180	240	14	12,30	13,80
on - on - on	8 - Personnalisé	Personnalisé	Personnalisé	Personnalisé	Personnalisé	Personnalisé	Personnalisé	Personnalisé	Personnalisé	Personnalisé

* Les batteries « étanches » incluent les batteries gel et les batteries AGM.

Tableau 3.1. Paramètres de charge pour chaque type de batterie sélectionnable


Interrupteur 7 : Égalisation de la batterie

Mode	Interrupteur 7
Égalisation manuelle	OFF
Égalisation automatique	ON

Interrupteur 8 : Réservé pour une utilisation future

3.3 Montage

Vérifiez que le régulateur n'a subi aucun dommage pendant le transport. Montez l'EcoBoost MPPT sur une surface verticale (4 vis autotaraudeuses n° 8 incluses). Serrez les vis de fixation en faisant attention à ne pas fissurer le boîtier en plastique. N'installez pas l'appareil directement sur une surface facilement inflammable puisque le dissipateur thermique peut devenir chaud dans certaines conditions de fonctionnement.

 **REMARQUE** : le dissipateur thermique doit être en position verticale (ailettes en haut et en bas).

Afin de garantir la bonne circulation de l'air, prévoyez un espace d'au moins 15 cm au-dessus et en-dessous du régulateur et un espace latéral de 5 cm (cf. figure 3-2 ci-dessous). Installez l'appareil dans un endroit protégé contre une exposition directe à la pluie et au soleil.

Si le régulateur est installé dans une armoire, il est recommandé de prévoir un dispositif de ventilation. N'installez pas l'appareil dans une armoire où les gaz de batterie sont susceptibles de s'accumuler.

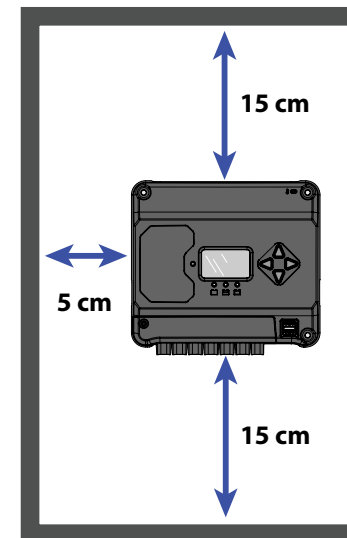


Figure 3-2. Espacements requis pour le refroidissement passif

3.4 Raccordement

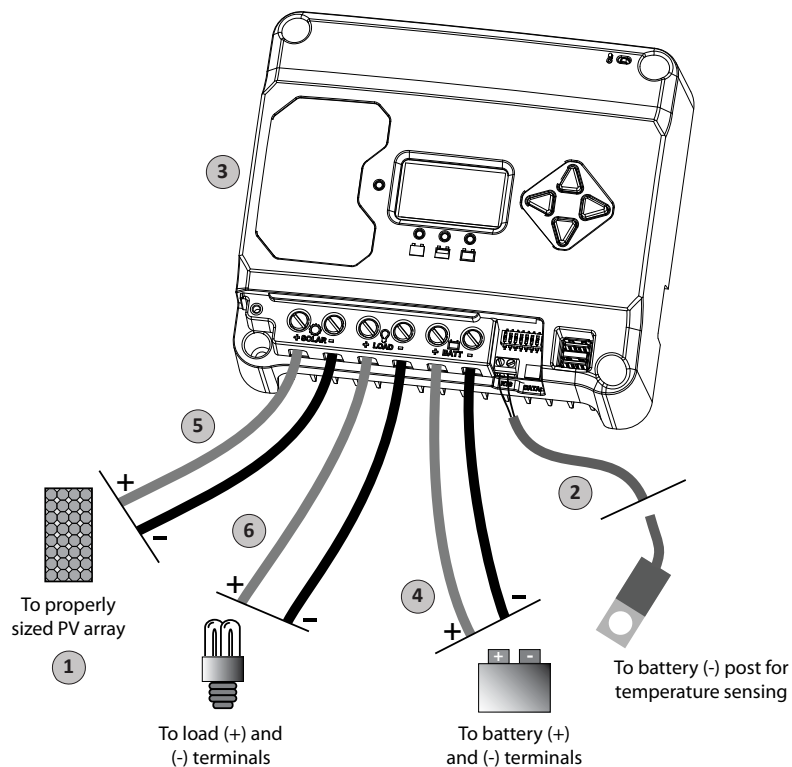


Figure 3-3. Raccordement de l'EcoBoost MPPT

VEUILLEZ VOUS REPORTER À LA FIGURE 3.3 EN APPLIQUANT LES INSTRUCTIONS DE RACCORDEMENT SUIVANTES.

ÉTAPE 1 : Contrôle des limitations du régulateur

Assurez-vous que la tension maximale en circuit ouvert du générateur PV (V_{oc}) compensée en température et le courant de charge n'excèdent pas les caractéristiques nominales du modèle EcoBoost MPPT en cours d'installation.

Plusieurs régulateurs peuvent être installés en parallèle sur un même banc de batterie afin d'accroître le courant de charge total. Dans ce type de système, chaque EcoBoost MPPT doit avoir son propre générateur PV. Les bornes de charge de différents régulateurs peuvent être raccordées ensemble uniquement si la tension de charge totale n'excède pas la tension nominale du régulateur dont la puissance est la plus FAIBLE.

ÉTAPE 2 : Capteur de température distant



ATTENTION : risque d'incendie.

Si aucun capteur de température distant (RTS) n'est connecté, utilisez l'EcoBoost MPPT à moins de 3 m des batteries. En cas de non-utilisation du RTS, une compensation thermique interne aura lieu. L'utilisation du RTS est fortement recommandée.

L'ensemble des paramètres de charge est basé sur une température de 25 °C. En cas de variation de la température de 5 °C, les paramètres de charge seront modifiés de 0,15 V pour une batterie 12 V. Il s'agit d'un changement considérable pour la charge de la batterie et l'utilisation du capteur de température distant (RTS) en option est recommandée pour adapter la charge à la température réelle de la batterie. Le RTS peut être ajouté à tout moment après l'installation du système. Raccordez le RTS au bornier à deux positions situé entre la borne négative de la batterie et la barrette du châssis de mise à la terre (cf. figure).

Le RTS est fourni avec un câble 0,34 mm² (22 AWG) d'une longueur de 10 m. Il n'y a pas de polarité, il est donc possible de connecter n'importe quel câble (positif ou négatif) à l'une ou l'autre des bornes à vis. Le câble du RTS peut être tiré dans le conduit avec les câbles électriques. Serrez les vis du connecteur sur un couple de 0,56 Nm. Les instructions d'installation séparée sont fournies à l'intérieur du sac RTS.



ATTENTION : endommagement de l'équipement
Ne placez jamais le capteur de température à l'intérieur d'une cellule de batterie. Le RTS et la batterie seraient tous deux endommagés.



MISE EN GARDE : en cas de non-utilisation du RTS, l'EcoBoost MPPT utilisera le capteur de température local pour la compensation.



REMARQUE : le câble du RTS peut être raccourci si nécessaire. Assurez-vous de replacer la bobine d'arrêt à noyau de ferrite à l'extrémité du RTS si vous ôtez une longueur de câble. Cette bobine garantit la conformité avec les normes relatives aux émissions électromagnétiques.

ÉTAPE 3 : mise à la terre et interruption en cas de défaut à la terre



ATTENTION :
Cette unité n'est pas équipée d'un dispositif de protection contre les défauts à la terre. Ce régulateur de charge doit être utilisé avec un dispositif de protection contre les défauts à la terre, comme requis par les réglementations locales.



REMARQUE :
Selon le pays d'installation, les conducteurs identifiables grâce à leur couleur verte ou une combinaison de vert et de jaune doivent être utilisés exclusivement comme conducteurs de terre.

Utilisez la vis M4 sur le côté gauche du dissipateur thermique afin de fixer un câble de mise à la terre (voir la page 18 pour les sections des câbles de mise à la terre) sur la vis / le dissipateur thermique, puis reliez le câble à la masse. Attachez également une partie métallique non active sur la masse.



ATTENTION : risque d'incendie
NE raccordez PAS le conducteur négatif du système à la prise de terre sur le dissipateur thermique / masse de l'EcoBoost MPPT. Si les réglementations locales nécessitent l'utilisation d'un dispositif de protection contre les défauts à la terre, le système négatif doit être fixé sur la masse à un point seulement via ce dispositif de protection contre les défauts à la terre.

Conformément à la norme CEI 62109, les sections minimales pour le câble de mise à terre en cuivre de l'équipement doivent être les suivantes :

- EcoBoost MPPT-20 10 mm²
- EcoBoost MPPT-30 10 mm²
- EcoBoost MPPT-40 10 mm²

OU, une zone de coupe équivalente ou supérieure aux câbles PV.

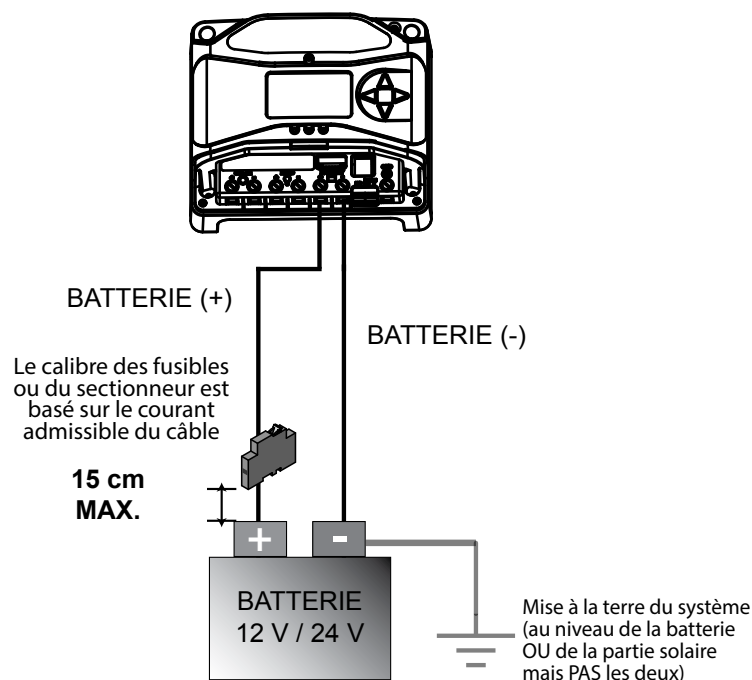
Afin de garantir la sécurité et une protection efficace contre la foudre, il est recommandé, voire obligatoire dans certaines régions, que le conducteur négatif du système de charge soit correctement mis à la terre. Ne reliez pas le conducteur négatif au connecteur de terre de l'équipement du dissipateur thermique.

ÉTAPE 4 : Connexion de batterie - voir le schéma ci-dessous

Assurez-vous que les interrupteurs DIP 2 et 3 sont réglés pour 12 ou 24 V, comme indiqué à la section 3.2.

REMARQUE : avant de raccorder la batterie, mesurez la tension en circuit ouvert. Celle-ci doit être supérieure à 10 V pour démarrer le régulateur. Si les interrupteurs de paramétrage de la tension système sont réglés sur auto-détection, toute tension de batterie supérieure à 15,5 V est détectée en tant que batterie à tension nominale de 24 V et l'unité adapte la charge en conséquence. La sélection automatique 12 / 24 V est effectuée uniquement au démarrage.

Raccordez les câbles positif et négatif de la batterie au régulateur en maintenant le sectionneur de la batterie ouvert. **NE FERMEZ PAS LE SECTIONNEUR À CETTE ÉTAPE.**



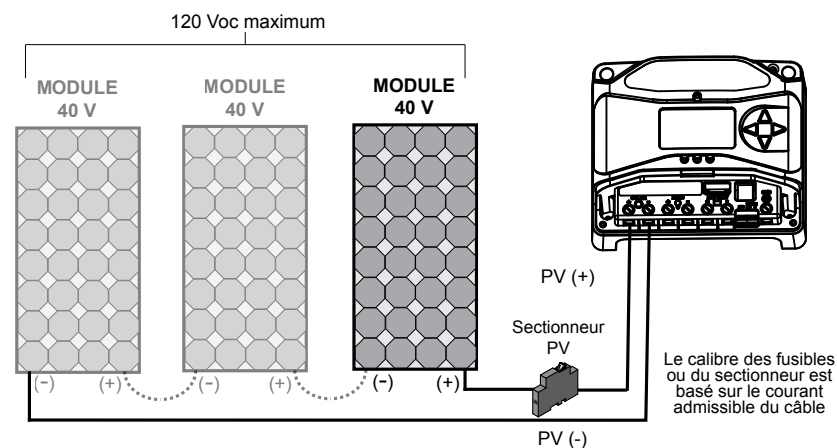
ÉTAPE 5 : Connexions solaires - voir le schéma ci-dessous



ATTENTION : risque d'électrocution

Le générateur PV peut produire une tension en circuit ouvert supérieure à 120 V DC lorsqu'il est exposé au soleil. Vérifiez que le sectionneur d'entrée PV ou le disjoncteur est ouvert (déconnecté) avant d'installer les câbles du système.

Avec la déconnexion solaire ouverte, connectez les câbles du générateur (PV) sur les bornes PV de l'EcoBoost MPPT. Soyez prudent car le générateur PV produit du courant dès qu'il est exposé au soleil. Un sectionneur PV est commode pour couper la connexion PV si nécessaire. **NE FERMEZ PAS LE SECTIONNEUR À CETTE ÉTAPE.**



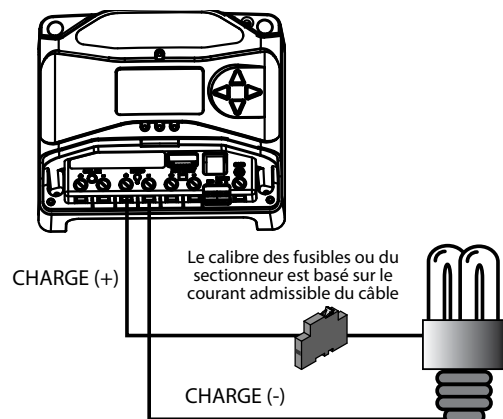
ÉTAPE 6 : Connexions de charge - voir le schéma ci-dessous



MISE EN GARDE : endommagement de l'équipement

Ne reliez pas de d'onduleur AC sur les bornes de charge de l'EcoBoost MPPT. Le circuit de contrôle de charge peut être endommagé. Un onduleur doit être relié à la batterie. S'il existe une possibilité que toute autre charge dépasse parfois la tension maximale ou les courants limites de l'EcoBoost MPPT, l'appareil doit être directement relié à la batterie ou au banc de batteries. Si le contrôle de charge est requis, contactez l'assistance technique Morningstar.

Éteignez les charges et connectez les câbles de charge aux bornes de charge. **NE FERMEZ PAS LE SECTIONNEUR À CETTE ÉTAPE.**



ÉTAPE 7 : mise sous tension et vérification du fonctionnement du système



REMARQUE : observez attentivement les DEL après chaque raccordement. Les DEL indiquent la bonne polarité et le bon fonctionnement du raccordement.

Fermez le sectionneur d'alimentation de la batterie sur le régulateur. Observez l'état de charge. Les trois DEL d'état de charge (SOC) de la batterie clignotent tour à tour (vert, jaune, rouge) pour confirmer le bon démarrage. Si elles ne s'allument pas, vérifiez la polarité de la batterie (positif / négatif) et la tension de la batterie.

Ensuite, la DEL verte, jaune ou rouge s'allumera selon l'état de charge (SOC) de la batterie. Assurez-vous que l'une de ces DEL est allumée avant de passer à l'étape suivante.

Fermez le sectionneur PV. Si l'entrée PV est raccordée pendant une exposition au soleil, l'indicateur DEL de charge s'allume.

Vérifiez le bon raccordement en observant la DEL de charge.

Fermez la déconnexion de charge, puis activez la charge afin de confirmer la connexion correcte.

Plusieurs raisons peuvent expliquer un défaut d'allumage de la charge :

- l'EcoBoost MPPT est en sectionnement à basse tension (DEL rouge allumée)
- la charge présente un court-circuit (les DEL rouge et verte clignotent en alternance avec la DEL jaune)
- il y a une surcharge (les DEL rouge et jaune clignotent en alternance avec la DEL verte)
- la charge n'est pas connectée, ne fonctionne pas ou est éteinte

Une fois tous les raccordements effectués, observez les DEL afin de vous assurer que le régulateur fonctionne normalement pour les conditions du système. Si vous utilisez le compteur numérique en option, vérifiez que la tension et le courant adéquats défilent sur l'écran. Un autodiagnostic peut également être effectué avec les unités du compteur numérique.

ÉTAPE 8 : mise hors tension



ATTENTION : risque d'endommagement
 Déconnectez la batterie du EcoBoost MPPT **UNIQUEMENT APRÈS** avoir déconnecté l'entrée PV. Le régulateur peut être endommagé si la batterie est retirée alors que l'EcoBoost MPPT est en charge.

- Afin d'éviter tout dommage, la mise hors tension doit être effectuée dans le sens inverse de la mise sous tension.

4.1 Technologie TrakStar™ MPPT

L'EcoBoost MPPT utilise la technologie de suivi du point de puissance maximale (MPPT) TrakStar de Morningstar afin d'extraire un maximum d'énergie du ou des module(s) PV. Cet algorithme de suivi est entièrement automatique et ne requiert aucun réglage de la part de l'utilisateur. La technologie TrakStar suit les variations de la tension au point de puissance maximale (V_{mp}) en fonction des conditions météorologiques et garantit la récupération d'un maximum d'énergie via le générateur tout au long de la journée.

Chaînes PV haute tension et modules interconnectés

L'un des autres avantages de la technologie TrakStar MPPT réside dans sa capacité à charger des batteries 12 V ou 24 V avec des générateurs PV dont la tension nominale est supérieure. Un banc de batterie 12 V peut être chargé avec un générateur PV autonome doté d'une tension nominale de 12, 24, 36 ou 48 V. Certains modules PV interconnectés peuvent également être utilisés à condition que la tension nominale en circuit ouvert du générateur PV (V_{oc}) n'excède pas la tension d'entrée nominale maximale de 120 V de l'EcoBoost MPPT à la température la plus basse du module. La documentation du module PV doit fournir des indications quant à la relation entre la V_{oc} et la température. Pour une puissance d'entrée donnée, une tension d'entrée PV plus élevée implique un courant d'entrée PV plus faible. Les chaînes d'entrée PV haute tension permettent d'utiliser des câbles PV de plus petit calibre. Cela est particulièrement utile pour les systèmes où les câbles reliant le générateur PV et l'EcoBoost MPPT.

4.2 Chargement de la batterie

Charge en 4 étapes

L'EcoBoost MPPT est doté d'un algorithme de charge de la batterie en 4 étapes permettant une charge rapide, efficace et sûre de la batterie. La figure 4-1 illustre le déroulement des étapes.

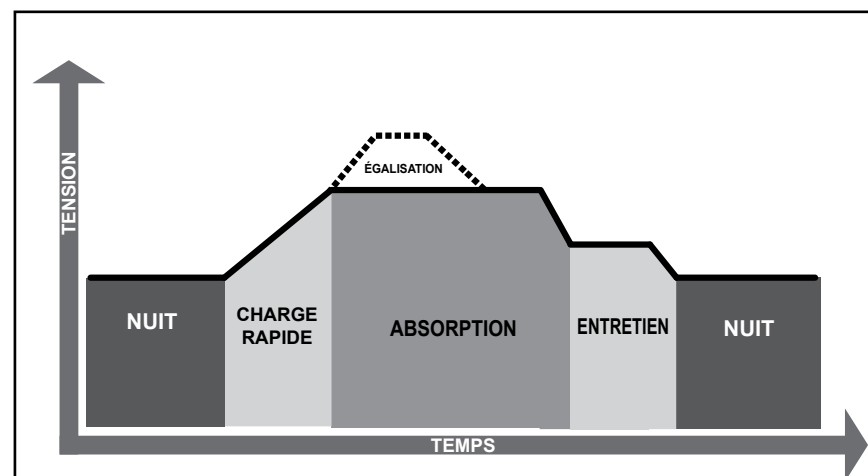


Figure 4-1. Algorithme de charge de l'EcoBoost MPPT



ATTENTION : risque d'explosion

L'égalisation de batteries ouvertes produit des gaz explosifs. Le banc de batterie doit être correctement ventilé.



MISE EN GARDE : endommagement de l'équipement

L'égalisation augmente la tension de la batterie à des niveaux susceptibles d'endommager les charges DC sensibles. Avant de commencer une charge d'égalisation, vérifiez que toutes les charges du système sont adaptées à la tension d'égalisation compensée en température.




MISE EN GARDE : endommagement de l'équipement

Toute surcharge excessive ou dégagement gazeux trop important est susceptible d'endommager les plaques de la batterie et d'entraîner la perte de matières actives des plaques. Toute égalisation trop élevée ou trop longue peut entraîner des dommages. Vérifiez les spécifications requises pour la batterie utilisée dans votre système.

Paramètres de charge de la batterie

Les options de charge pré-réglées de la batterie du EcoBoost MPPT figurent dans les tableaux 4-1 et 4-2 ci-dessous. Tous les paramètres de tension indiqués correspondent à des batteries ayant une tension nominale de 12 V. Multipliez les paramètres de tension par deux (2) pour les batteries 24 V.

 **REMARQUE :** ces paramètres sont des indications générales dont l'utilisation est laissée à la discrétion de l'utilisateur. Le EcoBoost MPPT peut être programmé pour répondre à un large éventail de paramètres de charge. Renseignez-vous auprès du fabricant de la batterie pour en connaître les paramètres de charge optimaux.

Paramétrage des interrupteurs DIP 4, 5 et 6	Type de batterie	Phase d'absorption (V)	Phase d'entretien (V)	Phase d'égalisation (V)	Temps d'absorption (min.)	Temps d'égalisation (min.)	Durée limite d'égalisation (min.)	Intervalle d'égalisation (jours)	LVD (V)	LVR (V)
off - off - off	1 – Étanche*	14,00	13,50		150				11,50	12,60
off - off - on	2 – Étanche*	14,15	13,50	14,40	150	60	120	28	11,30	12,80
off - on - off	3 – Étanche*	14,30	13,50	14,60	150	60	120	28	11,50	13,00
off - on - on	4 – AGM / ouverte	14,40	13,50	15,10	180	120	180	28	11,70	13,20
on - on - off	5 – Ouverte	14,60	13,50	15,30	180	120	180	28	11,90	13,40
on - off - on	6 – Ouverte	14,70	13,50	15,40	180	180	240	28	12,10	13,60
on - on - off	7 – L16	15,40	13,40	16,00	180	180	240	14	12,30	13,80
on - on - on	8 – Personnalisé	Personnalisé	Personnalisé	Personnalisé	Personnalisé	Personnalisé	Personnalisé	Personnalisé	Personnalisé	Personnalisé

* Les batteries « étanches » incluent les batteries gel et les batteries AGM.

Tableau 4-1. Paramètres de charge pour chaque type de batterie sélectionnable

Paramètres communs	Valeur	Unité
Tension d'extension de l'absorption	12,50	volts
Délai d'extension de l'absorption	Temps d'absorption + 30	minutes
Durée limite de l'entretien	30	minutes
Tension d'annulation de l'entretien	12,30	volts
Durée limite de l'égalisation	Durée de l'égalisation + 60	minutes
Coefficient de compensation de la température	- 30	millivolts / °C / 12 V

Tableau 4-2. Paramètres de batterie communs à tous les types de batterie

4.3 Informations relatives au contrôle de la charge

Le principal objectif de la fonction de contrôle de la charge consiste à déconnecter les charges du système lorsque la batterie se décharge jusqu'à un faible état de charge et à reconnecter les charges du système lorsque la batterie est suffisamment rechargée. Les charges du système peuvent être des lampes, des appareils fonctionnant au courant continu et d'autres appareils électroniques. Le courant total consommé par l'ensemble des charges ne doit pas excéder la charge nominale maximale de 20 A (EB-20/M) ou 30 A (EB-30/M ou EB-40/M).



MISE EN GARDE : endommagement de l'équipement
Ne reliez pas de d'onduleur AC sur les bornes de charge de l'EcoBoost MPPT. Le circuit de contrôle de charge peut être endommagé. Un onduleur doit être relié à la batterie. S'il existe une possibilité que toute autre charge dépasse parfois la tension maximale ou les courants limites de l'EcoBoost MPPT, l'appareil doit être directement relié à la batterie ou au banc de batteries. Si le contrôle de charge est requis, contactez l'assistance technique Morningstar.

Remarques générales relatives au contrôle de la charge :

Ne raccordez pas plusieurs sorties de charge de l'EcoBoost MPPT ensemble parallèlement à des charges DC ayant une consommation de courant supérieure à 20 ou 30 A, selon le modèle EcoBoost MPPT que vous utilisez. La répartition équitable du courant ne peut être garantie et il est probable qu'un ou plusieurs régulateurs subissent une surcharge.



MISE EN GARDE : endommagement de l'équipement
Soyez prudent lorsque vous raccordez des charges dotées d'une polarité spécifique à un circuit de charge sous tension. Toute inversion de polarité lors du raccordement est susceptible d'endommager la charge. Revérifiez toujours les raccordements avant la mise sous tension.

4.4 Signification des DEL

LÉGENDE :

V = vert	V – J – R = clignotent tour à tour
J = jaune	V / J = clignotent en même temps
R = rouge	V / J – R = V et J clignotent en même temps, en alternance avec R

4.4.1. Mise sous tension

Mise sous tension normale : la DEL d'état **V** clignote, puis les DEL SOC **V – J – R** clignotent, ensuite les DEL SOC indiquent l'état de charge de la batterie à l'aide de la DEL d'état de la batterie.

Erreur de démarrage : la DEL d'état **V** clignote, puis les DEL SOC **V – J** clignotent puis la DEL **J** s'allume en continu.

4.4.2 DEL d'état

La DEL d'état indique l'état de charge et les éventuelles erreurs d'entrée PV. La DEL d'état est allumée lors de la charge le jour et éteinte la nuit. La DEL d'état clignote en rouge dès qu'une erreur se produit. Le tableau 4.4 contient la liste des significations des DEL d'état.

Couleur	Voyant	État de fonctionnement
Aucune	Éteint (avec pulsations ¹)	Nuit
Vert	Allumée en continu (avec pulsations ²)	En charge
Rouge	Clignotant	Erreur
Rouge	Allumée en continu (avec pulsations ²)	Erreur critique

¹ les pulsations consistent à allumer brièvement la DEL d'état toutes les 5 secondes

² les pulsations consistent à éteindre brièvement la DEL d'état toutes les 5 secondes

Tableau 4-3. Description des voyants de la DEL d'état

REMARQUES :

- 1) Le clignotement **R** correspond généralement à une anomalie ou une erreur pouvant être corrigée par l'utilisateur.
- 2) Si la DEL d'état **R** est ALLUMÉE avec pulsations et S'ÉTEINT toutes les 5 secondes, il s'agit d'une anomalie critique qui requiert généralement une réparation. Veuillez vous reporter au paragraphe « DEL d'état de charge allumée en continu avec anomalies SOC d'autodiagnostic (R–J–V) » dans la section 5.1.

4.4.3 DEL d'état de charge

La signification des DEL SOC de la batterie est indiquée dans le tableau 4-4 ci-dessous :

État	Voyant
Absorption	Clignotement V toutes les secondes
Entretien	Clignotement V toutes les 2 secondes
Égalisation	Clignotement V 2 fois par seconde
SOC > 13,5 V	V continu
13,5 V > SOC > 13,0 V	V / J continu
13,0 V > SOC > 12,5 V	J continu
SOC < 12,5 V	J / R continu
Avertissement de sectionnement à basse tension	Clignotement R toutes les secondes
Sectionnement à basse tension	R continu

Tableau 4-4. Signification des DEL SOC de la batterie

4.5 Alarmes

Surcharge PV

Pas de voyant DEL. L'EcoBoost MPPT limite le courant de la batterie à la tension nominale maximale de 20, 30 ou 40 A. Les générateurs PV trop puissants ne fonctionneront pas à la puissance de crête. Pour une performance optimale, le générateur PV doit présenter une tension d'entrée nominale maximale inférieure à celle de l'EcoBoost MPPT. Veuillez vous reporter à la section 7.0 « Spécifications techniques » pour plus d'informations.

Limitation du courant à haute température

L'EcoBoost MPPT limite le courant d'entrée PV lorsque la température du dissipateur thermique dépasse les limites de sécurité. Le courant de charge PV sera réduit (à 0 A le cas échéant) afin de faire baisser la température du dissipateur thermique. Le EcoBoost MPPT est conçu pour fonctionner à la tension nominale et à la température ambiante maximales. Cette alarme indique que la circulation de l'air est insuffisante et que la température du dissipateur thermique devient trop élevée. Si le régulateur affiche régulièrement cette alarme, des mesures correctives doivent être prises afin d'améliorer la circulation de l'air ou le régulateur doit être installé dans un endroit plus frais.

Limitation du courant en cas de tension d'entrée élevée

L'EcoBoost MPPT limite le courant d'entrée PV lorsque la Voc du générateur PV s'approche de la tension d'entrée nominale maximale. La Voc du générateur ne doit jamais dépasser la tension d'entrée maximale de 120 V - voir le graphique de déclassement de la tension du générateur dans l'annexe.

Limitation du courant

La puissance du générateur excède les caractéristiques nominales du régulateur. Cette alarme indique que le EcoBoost MPPT limite le courant de la batterie à la valeur du courant nominal maximal.

RTS coupé

Le capteur de température distant n'est pas connecté au régulateur. L'utilisation du RTS est recommandée pour la bonne charge de la batterie.

Capteur de température du dissipateur thermique coupé / court-circuité

Le capteur de température du dissipateur thermique est endommagé. Veuillez retourner le régulateur à un distributeur Morningstar agréé pour réparation.

Non étalonné

Le régulateur n'a pas été étalonné en usine. Veuillez retourner le régulateur à un distributeur Morningstar agréé pour réparation.

4.6 Paramètres personnalisés

4.6.1 Paramétrage des valeurs de consigne à l'aide de l'écran du compteur

Le EcoBoost MPPT est disponible avec ou sans compteur. Le modèle équipé d'un compteur offre :

- Une programmation personnalisée, y compris des programmes d'éclairage, directement sur l'unité.
- De nombreux ajustements des paramètres et informations détaillées, comme partiellement indiqué dans la figure 4-2 ci-après.

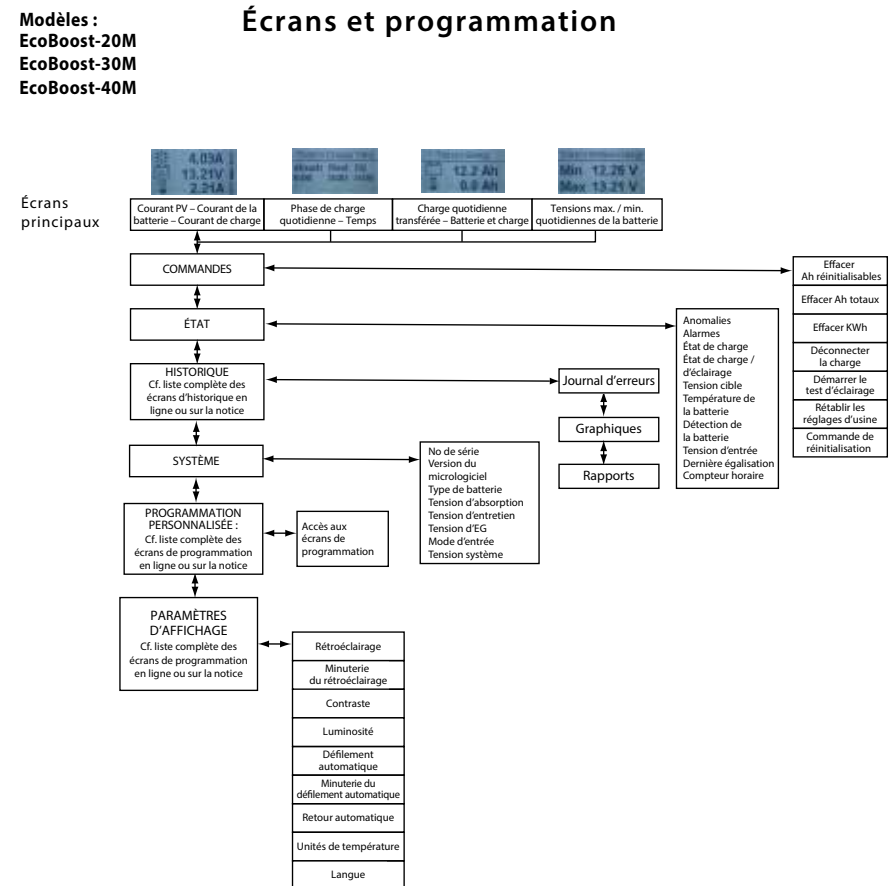


Figure 4-2. Structure simplifiée des menus du compteur.

Pour les modèles équipés de compteurs, veuillez vous reporter à la notice fournie qui détaille la structure complète des menus du compteur, également disponible dans la documentation relative au EcoBoost MPPT sur :

www.morningstarcorp.com

4.6.2 Utilisation de l'écran du compteur

4.6.2.1 Utilisation et fonctionnement des touches directionnelles / Navigation parmi les menus du compteur

La structure des menus du compteur du EcoBoost MPPT comporte deux axes principaux : les principaux écrans de suivi quotidien à l'horizontale et les écrans imbriqués du menu principal à la verticale. Les quatre touches directionnelles triangulaires rétroéclairées permettent de naviguer pour atteindre le point voulu dans la structure des menus. Les touches éclairées indiquent des directions valides dans la structure des menus. La position actuelle est affichée sur l'écran à l'aide d'un titre de colonne et d'une description en gras.

4.6.2.2 Paramétrage de l'écran du compteur

Comme indiqué dans la figure 4-2, les paramètres de l'écran du compteur peuvent être ajustés en sélectionnant et en modifiant les paramètres ou variables requis à l'aide des touches directionnelles.

4.7 Enregistrement de données (utilisation future)

L'EcoBoost MPPT conserve les données de système de base pendant 30 jours :

- Tension minimale quotidienne de la batterie
- Tension maximale quotidienne de la batterie
- Événements quotidiens (égalisation déclenchée, entretien entré, alarmes / anomalies survenues, réinitialisation)
- Anomalies / alarmes : elles sont enregistrées uniquement si une anomalie ou une alarme survient au cours de la journée
- Charge quotidienne à la batterie

Le port USB micro-B de l'EcoBoost MPPT (pour utilisation future) permet le transfert de données dans des applications mobiles.

4.8 Charge USB auxiliaire

1) L'EcoBoost MPPT est doté de deux ports USB-A à utiliser comme sources de charge pour de petits appareils électroniques. L'énergie provenant de la batterie du système, tout chargement auxiliaire doit être équilibré avec d'autres charges tirées de la batterie du système.

2) Les ports de charge USB fonctionnent dans toutes les conditions sauf pour LVD, HVD, ou en cas de déconnexion de charge demandée par l'utilisateur (d'une commande de compteur, par exemple). En cas de LVD, HVD et déconnexion de charge, la charge principale et les ports USB sont mis hors tension.

3) Si la charge principale présente une anomalie pour une raison quelconque (FET court-circuité, etc.), les ports de charge USB continuent à fonctionner.

4.9 Inspection et entretien

Le tableau 4-5 ci-dessous présente le calendrier d'entretien recommandé pour garantir le fonctionnement optimal de votre EcoBoost MPPT.



ATTENTION : RISQUE D'ÉLECTROCUTION.
AUCUNE BORNE ACCESSOIRE OU D'ALIMENTATION N'EST ISOLÉE ÉLECTRIQUEMENT DE L'ENTRÉE DC. ELLES PEUVENT DONC ÊTRE SOUMISES À UNE TENSION SOLAIRE DANGEREUSE. DANS CERTAINS CAS DE DÉFAILLANCE, LA BATTERIE POURRAIT SUBIR UNE SURCHARGE. EFFECTUEZ UN TEST ENTRE TOUTES LES BORNES ET LA MISE À LA TERRE AVANT TOUTE MANIPULATION.



ATTENTION : RISQUE D'ÉLECTROCUTION
DÉBRANCHEZ TOUTES LES SOURCES D'ALIMENTATION DU RÉGULATEUR AVANT DE RETIRER LE CACHE DU BOÎTIER DE RACCORDEMENT. NE RETIREZ JAMAIS LE CACHE LORSQUE LES BRANCHEMENTS ÉLECTRIQUES DE L'ECOBOOST MPPT SONT SOUS TENSION.

Calendrier	Postes d'entretien
2 semaines après l'installation	Resserrer les raccords des bornes d'alimentation selon le couple spécifié.
3 mois après l'installation	Resserrer les raccords des bornes d'alimentation selon le couple spécifié.
Mensuellement ou après chaque égalisation	<p>Inspectez le banc de batteries. Vérifiez que les boîtiers de batterie ne sont pas fissurés ou gonflés et que les bornes ne sont pas corrodées.</p> <p>Pour les batteries ouvertes à électrolyte liquide, assurez-vous que le niveau d'eau est correct. Les niveaux d'eau des batteries à électrolyte liquide doivent être contrôlés mensuellement conformément aux recommandations du fabricant.</p>
Annuellement	<p>Nettoyez les ailettes du dissipateur thermique à l'aide d'un chiffon propre et sec.</p> <p>Vérifiez que les câbles ne sont pas endommagés ou dénudés.</p> <p>Vérifiez l'absence de nids d'insectes.</p> <p>Resserrez les raccords des câbles d'alimentation selon le couple spécifié.</p> <p>Inspectez la mise à la terre de tous les composants du système. Vérifiez que tous les conducteurs de terre sont correctement mis à la terre.</p>

Tableau 4-5. Calendrier d'entretien

5.0

DÉPANNAGE



ATTENTION : RISQUE D'ÉLECTROCUTION.
AUCUNE BORNE ACCESSOIRE OU D'ALIMENTATION N'EST ISOLÉE ÉLECTRIQUEMENT DE L'ENTRÉE DC. ELLES PEUVENT DONC ÊTRE SOUMISES À UNE TENSION SOLAIRE DANGEREUSE. DANS CERTAINS CAS DE DÉFAILLANCE, LA BATTERIE POURRAIT SUBIR UNE SURCHARGE. EFFECTUEZ UN TEST ENTRE TOUTES LES BORNES ET LA MISE À LA TERRE AVANT TOUTE MANIPULATION.



ATTENTION : RISQUE D'ÉLECTROCUTION.
UN DISPOSITIF DE SECTIONNEMENT DOIT ÊTRE MIS EN PLACE POUR L'ENSEMBLE DES PÔLES D'ALIMENTATION. CE DISPOSITIF DOIT ÊTRE INCORPORÉ AU CÂBLAGE FIXE. OUVREZ TOUS LES SECTIONNEURS DE LA SOURCE D'ALIMENTATION AVANT DE RETIRER LE CACHE DU BOÎTIER DE RACCORDEMENT DU RÉGULATEUR OU AVANT D'ACCÉDER AUX CÂBLAGES.

5.1 Voyants DEL d'anomalie

Surcharge de la charge

DEL d'état d'erreur : rouge clignotant. DEL d'état de la batterie : clignotements R / J-V.

Court-circuit PV

DEL d'état de charge : ÉTEINTE. Les câbles d'alimentation d'entrée PV sont court-circuités. Une fois le court-circuit supprimé, la charge reprend automatiquement.

Polarité de la batterie inversée

Pas de voyant DEL, l'unité n'est pas alimentée. Le régulateur ne sera pas endommagé. Corrigez l'erreur de raccordement pour reprendre le fonctionnement normal.

Court-circuit de la charge

DEL d'état d'erreur : rouge clignotant. DEL d'état de la batterie : clignotements R / V - J.

Sectionnement à haute tension PV

DEL d'état de charge : R clignotant. Pas d'erreur d'état de la batterie. Si la tension d'entrée PV en circuit ouvert (Voc) dépasse la tension nominale maximale de 120 V, le générateur sera déconnecté jusqu'à ce que la Voc retombe en dessous de la tension nominale maximale en toute sécurité.

Capteur de température distant (RTS)

DEL d'état d'erreur : rouge clignotant. DEL d'état de la batterie : clignotements R / J – V / J.

Sectionnement à haute tension (HVD) de la batterie / charge

DEL d'état d'erreur : rouge clignotant. DEL d'état de la batterie : clignotements R–V.

Température du dissipateur thermique élevée

DEL d'état d'erreur : rouge clignotant. DEL d'état de la batterie : clignotements R–J.

Surcharge de la batterie

DEL d'état d'erreur : rouge clignotant. DEL d'état de la batterie : clignotements R / J–V.

Modification des interrupteurs de paramétrage (DIP)

DEL d'état d'erreur : rouge clignotant. DEL d'état de la batterie : clignotements R–J–V.

Modification des paramètres personnalisés

DEL d'état d'erreur : rouge clignotant. DEL d'état de la batterie : clignotements R–J–V.

Échec de mise à jour du micrologiciel

La programmation de la mise à jour du micrologiciel a échoué. Lors de la réinitialisation, le régulateur n'affiche pas la séquence complète de clignotement de démarrage V–J–R des DEL. À la place, le régulateur affiche une DEL verte puis s'arrête à la DEL jaune.

DEL D'ÉTAT DE CHARGE ALLUMÉE EN CONTINU avec ANOMALIES SOC D'AUTODIAGNOSTIC (R–J–V)

Vérifiez qu'il n'existe aucune erreur de raccordement. Si c'est le cas, cette erreur est probablement critique. Contactez un distributeur Morningstar agréé pour obtenir une assistance.

Anomalie	DEL d'état de charge	DEL SOC de la batterie
FET PV court-circuité	Rouge continu	Clignotements R–J–V
FET de charge court-circuité	Rouge continu	Clignotements R–J–V
FET de charge coupé	Rouge continu	Clignotements R–J–V
Capteur de température local endommagé	Rouge continu (uniquement si le RTS est invalide)	Clignotements R–J–V
Capteur de température du dissipateur thermique endommagé	Rouge continu	Clignotements R–J–V
Logiciel	Rouge continu	Clignotements R–J–V

ANOMALIES SOC D'AUTODIAGNOSTIC (R–J–V) RÉINITIALISABLES

Anomalie		DEL SOC de la batterie
Modification des paramètres personnalisés	–	Clignotements R–J–V
Modification des interrupteurs DIP	–	Clignotements R–J–V

6.0 GARANTIE

GARANTIE LIMITÉE sur les régulateurs solaires
et les onduleurs Morningstar

L'EcoBoost MPPT est garanti contre tout défaut de matériaux et de main d'œuvre pour une période de DEUX (2) ans à compter de la date d'expédition à l'utilisateur final original. Si les produits susmentionnés s'avèrent défectueux, Morningstar les réparera ou les remplacera à sa discrétion.

EXCLUSIONS ET LIMITATIONS DE GARANTIE :

La présente garantie ne s'applique pas dans les conditions suivantes :

- ◆ Dommages découlant d'un accident, d'une négligence, d'une utilisation frauduleuse ou abusive
- ◆ Courants PV ou de charge supérieurs aux caractéristiques nominales du produit
- ◆ Modification ou tentative de réparation non autorisées du produit
- ◆ Dommages durant le transport
- ◆ Dommages dus à des phénomènes naturels tels que la foudre et les conditions météorologiques extrêmes.

LA GARANTIE ET LES RECOURS ÉNONCÉS CI-DESSUS SONT EXCLUSIFS ET REMPLACENT TOUT(E) AUTRE GARANTIE OU RECOURS EXPLICITE OU IMPLICITE. MORNINGSTAR DÉCLINE EXPRESSÉMENT TOUTE GARANTIE IMPLICITE, NOTAMMENT, MAIS SANS RESTRICTION, TOUTE GARANTIE DE QUALITÉ MARCHANDE ET D'ADÉQUATION À UN USAGE PARTICULIER. AUCUN DISTRIBUTEUR, AGENT OU EMPLOYÉ DE MORNINGSTAR N'EST AUTORISÉ À PROCÉDER À UNE QUELCONQUE MODIFICATION OU EXTENSION DE LA PRÉSENTE GARANTIE.

MORNINGSTAR DÉCLINE TOUTE RESPONSABILITÉ EN CAS DE DOMMAGE INDIRECT OU CONSÉCUTIF QUEL QU'IL SOIT, NOTAMMENT, MAIS SANS RESTRICTION EN CAS DE PERTE DE BÉNÉFICES, DE TEMPS, DE NOTORIÉTÉ OU EN CAS DE DOMMAGES MATÉRIELS.

R15-8/15

7.0 SPÉCIFICATIONS TECHNIQUES

EB-MPPT-20/M EB-MPPT-30/M EB-MPPT-40/M

Spécifications électriques :

Tension nominale de la batterie	12 V ou 24 V (tous)		
Plage de tension de la batterie	10-35 V (tous)		
Précision de la tension	0,1 % +/- 50 mV (tous)		
Courant maximal de la batterie	20 A	30 A	40 A
Tension maximale en circuit ouvert du système PV	Tous : 120 V		
Courant de charge nominal	20 A	30 A	30 A
Consommation	< 25 mA (sans compteur) < 40 mA (avec compteur)		
Signification des DEL	(1) état, (3) SOC de la batterie		
Parasurtenseur	4 500 W (PV, batterie, charge)		
Rendement de conversion (valeur de crête)	97,3 % (tous)		

Spécifications mécaniques :

Dimensions (cm)	19,6 (largeur) x 18,1 (longueur) x 7,1 (diamètre)		
Poids (kg)	1,4		
Plage de section des câbles :			
Bornes d'alimentation (couple maximal)	De 2,5 - 16 mm ² / de 14 à 2 AWG 3,95 Nm		
Capteur de température	De 0,25 à 1,0 mm ² / de 24 à 16 AWG		
Armoire	IP20, Type 1		

Charge de la batterie :

Charge en 4 étapes :	charge rapide, absorption, entretien, égalisation		
Coefficient de compensation de la température :	-30 mV / 12 V / °C		
Valeurs de consigne compensées en température :	Absorption, entretien, égalisation, HVD et HVDR (PV)		

Valeurs de consigne de charge de la batterie (à 25 °C) :
[multipliez les valeurs de tension par deux (2) pour les systèmes 24 V]

Paramétrage des interrupteurs DIP 4, 5 et 6	Type de batterie	Phase d'absorption (V)	Phase d'entretien (V)	Phase d'égalisation (V)	Temps d'absorption (min.)	Temps d'égalisation (min.)	Durée limite d'égalisation (min.)	Intervalle d'égalisation (jours)	LVD (V)	LVR (V)
off - off - off	1 – Étanche*	14,00	13,50		150				11,50	12,60
off - off - on	2 – Étanche*	14,15	13,50	14,40	150	60	120	28	11,30	12,80
off - on - off	3 – Étanche*	14,30	13,50	14,60	150	60	120	28	11,50	13,00
off - on - on	4 – AGM / ouverte	14,40	13,50	15,10	180	120	180	28	11,70	13,20
on - off - off	5 – Ouverte	14,60	13,50	15,30	180	120	180	28	11,90	13,40
on - off - on	6 – Ouverte	14,70	13,50	15,40	180	180	240	28	12,10	13,60
on - on - off	7 – L16	15,40	13,40	16,00	180	180	240	14	12,30	13,80
on - on - on	8 – Personnalisé	Personnalisé	Personnalisé	Personnalisé	Personnalisé	Personnalisé	Personnalisé	Personnalisé	Personnalisé	Personnalisé

* Les batteries « étanches » incluent les batteries gel et les batteries AGM.

Compensation de courant :

Systèmes 12 V -15 mV / A

Systèmes 24 V -30 mV / A

Valeurs de consigne compensées LVD

Seuil de compensation 3 A

Contrôle de charge et PV (multipliez les valeurs de tension par deux (2) pour les systèmes 24 V) :

Valeurs par défaut (personnalisable)

LVD Voir tableau ci-dessus

LVR Voir tableau ci-dessus

LVD instantané 10,0 V

HVD – PV Valeur de consigne du stade actuel + 0,5 V (@ 25°C)

HVD – charge 15,3 V

HVDR – PV 13,8 V (à 25°C)

HVDR – charge 14,5 V

Avertissement LVD 10 minutes

Dépassement LVD 10 minutes

Nombre maximal de dépassements Aucune limite sauf V_{batt}

LVD (non personnalisable) < LVD instantané

Contrôle de l'éclairage (DIP 1 réglé sur ON) :

Paramètre de la minuterie d'éclairage Crépuscule-aurore (par défaut)

Minuterie du test d'éclairage 5 minutes

Données et communications :

Port de données (utilisation future) USB micro-B

Enregistrement de données (utilisation future) 30 jours maximum

Protocole de communication Série

Compteur numérique :

Résolution 128 x 64

Écran 70 mm x 40 mm

Couleur d'affichage Bleu sur fond blanc

Rétroéclairage DEL

Température de fonctionnement - 20 °C à + 60 °C

Température de stockage - 30 °C à + 80 °C

Spécifications environnementales :

Altitude maximale de fonctionnement 2 000 m

Température de fonctionnement - 40 °C à + 60 °C

Température de stockage - 40 °C à + 80 °C

Humidité 100 % sans condensation

Tropicalisation Circuits imprimés avec revêtement conforme ; bornes adaptées à une utilisation en milieu marin

Protections

Mise sous tension malgré les anomalies actives

Polarité inversée – batterie et générateur

Court-circuit PV

Sectionnement à haute tension PV

Température du dissipateur thermique élevée – réduction du courant

Température du dissipateur thermique élevée – déconnexion de la charge

Court-circuit de la charge

Surcharge de la charge

Limitation de température du dissipateur thermique

Bornes du RTS

8.0 CERTIFICATIONS



IEC 62109-1
EN 62109-1

www.tuv.com
ID 0007000000



Registration, Evaluation and
Authorization of Chemicals



- Conforme aux CSA-C22.2 n° 107.1
- CEI 62109-1
- Conforme aux dispositions du Code électrique national américain (NEC)
- Conforme aux dispositions du Code électrique canadien (CEC)
- Certifié FCC classe B

Normes européennes :

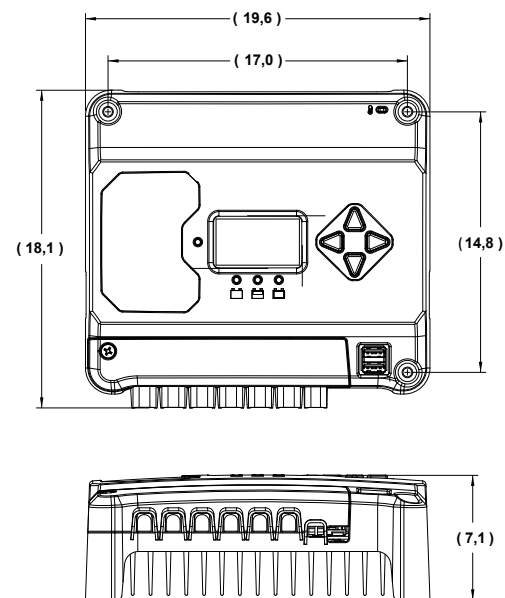
- Conforme aux normes européennes et relatives au LVD pour le marquage CE
- EN 62109-1
- Émissions 55014-1
- Immunité 55014-2

EcoBoost MPPT™ est une marque déposée de Morningstar Corporation

© 2018 Morningstar Corporation. Tous droits réservés.

MS-002243-FL v2.3

ABMESSUNGEN (in Zentimeter)



ÜBERSICHT DER TECHNISCHE DATEN

	EB-MPPT-20	EB-MPPT-30	EB-MPPT-40
Akku-Nennspannung	12/24 V	12/24 V	12/24 V
Max. PV-Ruhespannung*	120 V	120 V	120 V
Max. Nenn-eingangsleistung**	300/600 W	400/800 W	560/1120 W
Max. Akku-Ladestrom	20 A	30 A	40 A
Nenn-Laststrom	20 A	30 A	30 A

*Die Anlagenspannung darf diese Grenze niemals überschreiten.


**Diese Leistungsstufen beziehen sich auf die maximale Leistung, die das PS-MPPT verarbeiten kann. Anlagen mit höherer Leistung können ohne Beschädigung des Reglers verwendet werden.


1.0 WICHTIGE SICHERHEITSANWEISUNGEN


BEWAHREN SIE DIESE ANWEISUNGEN AUF.

Dieses Handbuch enthält wichtige Sicherheits-, Installations- sowie Bedienungs- und Wartungsanweisungen für den EcoBoost MPPT Solarladeregler.

Die folgenden Symbole werden in diesem Handbuch verwendet, um potenziell gefährliche Bedingungen anzuzeigen oder wichtige Sicherheitsanweisungen zu kennzeichnen:


 **WARNUNG:** Kennzeichnet eine potenziell gefährliche Situation. Seien Sie extrem vorsichtig beim Ausführen dieser Tätigkeit.


 **ACHTUNG:** Kennzeichnet einen für Sicherheit und ordnungsgemäßen Betrieb des Reglers kritischen Vorgang.

 **HINWEIS:** Kennzeichnet einen für sicheren und ordnungsgemäßen Betrieb des Reglers wichtigen Vorgang.

Sicherheitsinformation

- Lesen Sie alle Anweisungen und Warnhinweise in diesem Handbuch, bevor Sie mit der Installation beginnen.
- Es gibt keine zu wartenden Teile im Inneren des EcoBoost MPPT. Zerlegen Sie den Regler nicht und versuchen Sie nicht, ihn zu reparieren.

 **WARNUNG:** Gefahr von Stromschlägen. EINSPEISEKLEMME UND ZUBEHÖRANSCHLÜSSE SIND NICHT GALVANISCH GETRENNT VOM DC-EINGANG UND STEHEN EVENTUELL UNTER GEFÄHRLICHER SOLARSPANNUNG. UNTER BESTIMMTEN STÖRFALLBEDINGUNGEN KANN ES ZU EINER ÜBERLADUNG DES AKKUS KOMMEN. PRÜFEN SIE ALLE ANSCHLÜSSE UND DIE ERDUNG, BEVOR SIE DAS GERÄT BERÜHREN.

 **WARNUNG:** ES WIRD DAVON AUSGEGANGEN, DASS DER KOMMUNIKATIONSANSCHLUSS AN EINEN STROMKREIS MIT DVC B ERFOLGT. BEI ANSCHLUSS AN EINEN STROMKREIS MIT DVC A IST EIN EXTERNER ISOLATOR ERFORDERLICH.

- Externe Solar- und Akkutrennschalter sind erforderlich.
- Trennen Sie alle Stromquellen vom Regler, bevor Sie den EcoBoost MPPT installieren oder einstellen.
- Es gibt keine Sicherungen oder Trennschalter im Inneren des EcoBoost MPPT. Unternehmen Sie keine Reparaturversuche.

Installations-Sicherheitshinweise

- Montieren Sie den EcoBoost MPPT im Innenbereich. Vermeiden Sie, dass er den Elementen ausgesetzt wird, und verhindern Sie das Eindringen von Wasser in den Regler.
- Installieren Sie den EcoBoost MPPT an einem Ort, an dem zufälliger Kontakt vermieden wird. Der Kühlkörper des EcoBoost MPPT kann im Betrieb sehr heiß werden.
- Verwenden Sie bei der Arbeit mit Akkus isolierte Werkzeuge.
- Tragen Sie keinen Schmuck während der Installation.
- Die Akkubank muss aus Akkus desselben Herstellers, Typs und Alters bestehen.
- IEC 62109 zertifiziert nur für die Verwendung in negativ geerdeten oder schwebenden Systemen.
- Unterlassen Sie das Rauchen in der Nähe der Akkubank.
- Die Stromanschlüsse müssen fest sitzen, um Überhitzung aufgrund einer losen Verbindung zu vermeiden.
- Verwenden Sie Leitungen und Schutzschalter der richtigen Größe.
- Dieser Laderegler darf nur an Gleichstromkreise angeschlossen werden. Diese Gleichstromanschlüsse sind durch das folgende Symbol gekennzeichnet:



Gleichstrom-Symbol

Der EcoBoost MPPT-Regler muss von einem qualifizierten Techniker in Übereinstimmung mit den elektrischen Vorschriften des Landes, in dem der Regler installiert wird, vorgenommen werden.

Es muss eine Einrichtung zum Abschalten der gesamten Stromversorgung vorhanden sein. Diese Trennschalter müssen in die feste Verdrahtung integriert sein.

Die negativen Anschlussklemmen des EcoBoost MPPT entsprechen allgemeiner Bauform und müssen gemäß Anweisungen, örtlichen Vorschriften und Bestimmungen geerdet werden.

Eine dauerhafte, zuverlässige Erdung muss mit Verbindung zum Masseanschluss des EcoBoost MPPT hergestellt werden.

Der Erdleiter muss gegen unbeabsichtigtes Lösen gesichert werden.

Akkusicherheit

.....



WARNUNG: Ein Akku kann ein Risiko von elektrischen Schlägen oder Verbrennungen aufgrund hoher Kurzschlussströme oder ein Feuer- oder Explosionsrisiko aufgrund austretender Gase darstellen. Beachten Sie die entsprechenden Vorsichtsmaßnahmen.



WARNUNG: Explosionsgefahr. Ordnungsgemäße Entsorgung der Akkus ist erforderlich. Werfen Sie die Akkus nicht ins Feuer. Beachten Sie die lokalen Vorschriften oder Gesetze dafür.



ACHTUNG: Wenn Sie Akkus ersetzen, verwenden Sie die ordnungsgemäßen, angegebenen Anzahlen, Größen, Typen und Leistungen entsprechend der Anwendung und dem Systemdesign.



ACHTUNG: Öffnen oder beschädigen Sie die Akkus nicht. Auslaufendes Elektrolyt schädigt die Haut und kann giftig sein.

- Die Akkuwartung sollte mit den erforderlichen Sicherheitsvorkehrungen von qualifiziertem Personal durchgeführt oder überwacht werden.
- Seien Sie sehr vorsichtig bei der Arbeit mit großen Bleiakkus. Tragen Sie einen Augenschutz und halten Sie frisches Wasser bereit für den Fall, dass es zu einem Kontakt mit der Akkusäure kommt.

- Entfernen Sie Uhren, Schmuck und andere Metallobjekte vor der Arbeit mit Akkus.
- Tragen Sie Gummihandschuhe und Gummistiefel.
- Verwenden Sie Werkzeuge mit isolierten Griffen und legen Sie keine Werkzeuge oder Metallobjekte auf den Akkus ab.
- Trennen Sie den Akku von der Ladequelle, bevor Sie Akkuklemmen anklemmen oder abklemmen.
- Stellen Sie fest, ob der Akku versehentlich geerdet wurde. Wenn das der Fall ist, entfernen Sie die Erdungskontaktquelle. Kontakt mit einem Teil eines geerdeten Akkus kann zu einem Stromschlag führen. Die Wahrscheinlichkeit eines solchen Stromschlags kann gesenkt werden, indem Akku-Erdungen während der Installation und Wartung entfernt werden (gilt, wenn Ausrüstung und Fernakku-Versorgungen keinen geerdeten Stromkreis haben).
- Lesen Sie sorgfältig die Anleitung des Akkuherstellers, bevor Sie Akkus für den EcoBoost MPPT installieren, anschließen oder entfernen.
- Achten Sie sehr darauf, die mit dem Akku verbundenen Kabel nicht kurzzuschließen.
- Sorgen Sie dafür, dass jemand in Ihrer Nähe ist, der Ihnen bei einem eventuellen Unfall helfen kann.
- Während des Ladevorgangs können explosive Akkugase austreten. Achten Sie auf eine ausreichende Belüftung zur Beseitigung der Gase.
- Rauchen Sie niemals im Bereich des Akkus.
- Falls Akkusäure mit Haut in Berührung kommt, waschen Sie den Hautbereich mit Wasser und Seife. Wenn Säure in Kontakt mit dem Auge kommt, spülen Sie das Auge mit frischem Wasser und suchen Sie einen Arzt auf.
- Achten Sie auf einen korrekten Elektrolytstand im Akku, bevor Sie mit dem Laden beginnen. Versuchen Sie nicht, einen gefrorenen Akku zu laden.
- Recyceln Sie den Akku, wenn er ersetzt wird.

2.0 ALLGEMEINE INFORMATIONEN

2.1 Merkmale

Die Merkmale des EcoBoost MPPT sind in Abb. 2-1 unten dargestellt. Dazu wird jedes Merkmal erläutert.

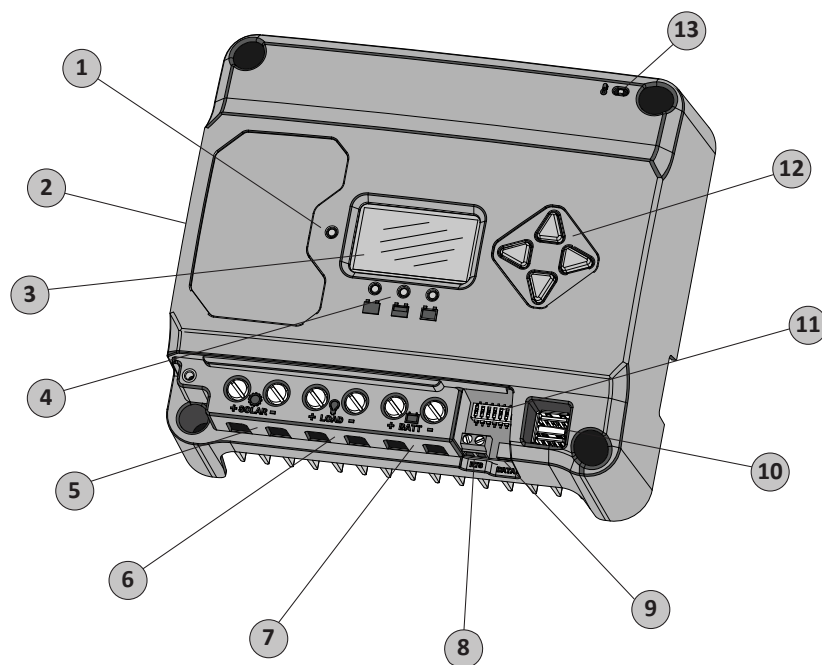


Abbildung 2-1. EcoBoost MPPT Funktionen

1 – Ladestatus-/Fehler-LED

Zeigt Status von Ladestrom und Fehlerzuständen an.

2 – Kühlkörper/Erdungsschraube

(M4-Schraube zur Erdung des Kühlkörpers)
Aluminium-Kühlkörper (unten) zum Abführen der Wärme des Reglers (der EcoBoost MPPT ist für mehr Zuverlässigkeit zu 100 % passiv gekühlt)

3 – Messdisplay

Digitales LCD-Display zur Überwachung und Programmierung

4 – Akkustatus-/Störungs-LED-Anzeigen

Drei LED-Ladezustandsanzeigen zeigen Ladezustände (SOC) und Störungen des Reglers an

5 – Positiv- und Negativ-Anschlussklemmen Solar

Stromanschlüsse für Solar (+) und (-) Kabelanschlüsse

6 – Positiv- und Negativ-Anschlussklemmen Last

Stromanschlüsse für Laden (+) und (-) Kabelanschlüsse

7 – Positiv- und Negativ-Anschlussklemmen Akku

Stromanschlüsse für Akku (+) und (-) Kabelanschlüsse

8 – Anschlussklemmen Temperatur-Fernsensor (RTS)

Anschlusspunkte für einen Morningstar RTS zur Fernüberwachung der Akkutemperatur

9 – USB Micro-B-Datenschnittstelle (zukünftige Verwendung)

Micro-B-USB-Schnittstelle für (zukünftige) Datenübertragung

10 – USB-Ladeanschlüsse

USB-Buchsen zum Laden von elektronischen Geräten

11 – DIP Schalter

Acht (8) Einstellschalter zum Konfigurieren des Betriebs des EcoBoost MPPT

12 – Messgerät-Richtungstasten

Zum Navigieren innerhalb des Anzeigefeldes

13 – Lokaler Temperatursensor

Kompensiert das Laden in Abhängigkeit von der Umgebungstemperatur (nicht verwendet wenn Temperatur-Fernsensor angeschlossen ist)

2.2 Optionales Zubehör

Das folgende Zubehör ist separat bei Ihrem autorisierten Morningstar-Händler erhältlich:

Temperatur-Fernsensor (Modell: RTS)

Der RTS misst für eine genaue Temperaturkompensation die Akkutemperatur und ist empfehlenswert, wenn die Akku-Umgebungstemperatur um mehr als $+/-5$ °C von der Regler-Umgebungstemperatur abweicht. Die Standard-Kabellänge beträgt 10 m.



HINWEIS: Die Verwendung eines Temperatur-Fernsensors wird *dringend empfohlen*. Der Installationsort des Reglers, die Luftströmung und die Systemleistung können die Anzeigewerte des lokalen Temperatursensors stark beeinflussen. Ein RTS sorgt für eine optimale Ladeleistung.

Erdschluss-Schutzeinrichtung (GFPD-150V)

Als Sicherheitsmaßnahme entdeckt der GFPD-150V Erdschlussfehler bei Stromquellen und unterbricht die Stromführung.

3.0 INSTALLATIONSANWEISUNGEN

3.1 Allgemeine Hinweise zur Installation

- Lesen Sie den gesamten Abschnitt zur Installation durch, bevor Sie die Installation durchführen.
- Seien Sie sehr vorsichtig beim Arbeiten mit Akkus. Tragen Sie eine Schutzbrille. Halten Sie frisches Wasser bereit, um jeden Kontakt mit Säure abwaschen und reinigen zu können.
- Verwenden Sie isolierte Werkzeuge und vermeiden Sie das Ablegen metallischer Objekte in der Nähe der Akkus.



WARNUNG: Risiko von Geräteschäden und Explosionsgefahr

Installieren Sie den EcoBoost MPPT niemals in einem Gehäuse mit einem Flüssig-Akku. Akkudämpfe sind entflammbar und greifen die EcoBoost MPPT Schaltkreise an und zerstören sie.



ACHTUNG: Geräteschäden

Achten Sie auf eine ausreichende Belüftung, wenn sie den EcoBoost MPPT in einem Gehäuse installieren. Die Installation in einem geschlossenen Gehäuse führt zu einer Überhitzung und einer verkürzten Produktlebenszeit.

- Installieren Sie den Regler nicht in Bereichen, wo Wasser in den Regler eindringen kann.
- Lose Netzanschlussleitungen und/oder korrodierte Leitungen können zu resistiven Verbindungen führen, die die Kabelisolation schmelzen, umliegende Materialien in Brand setzen oder ein Feuer verursachen können. Achten Sie auf feste Verbindungen und verwenden Sie Kabelschellen, um die Kabel zu sichern und zu verhindern, dass sie in mobilen Anwendungen schwingen.
- Voreingestellte Ladeprofile sind im Allgemeinen für Bleisäureakkus ausgelegt. Für verschiedenste Ladeanforderungen können benutzerdefinierte Einstellungen verwendet werden (siehe Abschnitte 3.2 und 4.7 für Einzelheiten). Beachten Sie, dass einige Akkutypen möglicherweise nicht kompatibel sind.
- Der EcoBoost MPPT-Akkuanschluss kann an einen Akku oder eine Akkubank angeschlossen werden.

Die folgenden Anweisungen beziehen sich auf einen einzelnen Akku, es wird jedoch impliziert, dass der Akkuanschluss an einen einzelnen Akku oder eine Gruppe von Akkus in einer Akkubank erfolgen kann.

- Der EcoBoost MPPT verfügt über selbstschneidende Befestigungselemente, einen anodisierten Aluminium-Kühlkörper und Schutzlack, um ihn vor rauen Bedingungen zu schützen. Für eine akzeptable Lebensdauer sollten jedoch extreme Temperaturen und Meerwasser-Umgebungen vermieden werden.
- Der EcoBoost MPPT verhindert Rückwärtsleckstrom bei Nacht, eine Sperrdiode ist also im System nicht erforderlich.
- Der EcoBoost MPPT ist NUR für die Regelung von Solar-(Photovoltaik-)Strom ausgelegt. Der Anschluss an andere Stromquellen wie Windkraftanlagen oder Generatoren lässt den Garantieanspruch verfallen. Andere Stromquellen können jedoch direkt an die Akkus angeschlossen werden.
- Die Maximalgröße des Kabels für die Einspeiseklemme entspricht Nr. 6 AWG/16 mm² (Volldraht-/Mehrdrahtkabel) oder Nr. 8 AWG/10 mm² (Feindrahtkabel). Verwenden Sie einen flachen isolierten Schraubendreher und ziehen Sie auf ein Drehmoment von bis zu 3,95 Nm fest.
- Für den Anschluss an die Klemmen des EcoBoost MPPT sind die Adern zuerst vorzubereiten (z. B. durch Ankleben von Kupferköpfen), um ein Lösen einer Leiterader aus der Anschlussschraube und einen möglichen Kontakt mit dem Metallgehäuse zu vermeiden.



WARNUNG: Solar- und Akkusicherungen oder DC-Trennschalter sind im System erforderlich. Diese Schutzvorrichtungen befinden sich außerhalb des EcoBoost MPPT-Reglers und erfordern ein Maximum von 25 A für den EB-20/M, 35 A für den EB-30/M und 50 A für den EB-40/M.



WARNUNG: Die Nennleistung der Trennschalter und Sicherungen muss möglicherweise unter den oben angegebenen Werten liegen, damit spezifische Leitungsstromstärken einzelner Leitungen nicht überschritten werden.



WARNUNG: Die minimale Trennrates der Überstromsicherheit muss bei 2.000 A für 12-V-Systeme und 4.000 A für 24-V-Systeme liegen.

3.2 Konfiguration

Der DIP-Schalterblock in Abbildung 3.1 unten wird zum Einstellen der Betriebsparameter des EcoBoost MPPT verwendet.

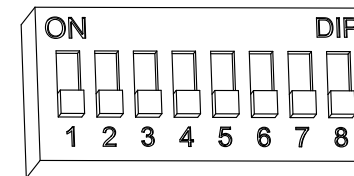


Abbildung 3.1. DIP-Schalterblock zum Einstellen der Ladeparameter

Schalter 1: Laden/Licht

Modus	Schalter 1
Normal	AUS
Licht	EIN

Bei DIP 1 EIN befolgt der EcoBoost MPPT einen Abends-bis-morgens-Lichtplan.

Schalter 2, 3: Systemspannung

Es gibt drei (3) Systemspannungskonfigurationen, siehe Tabelle unten:

Systemspannung	Schalter 2	Schalter 3
Auto	AUS	AUS
12	AUS	EIN
24	EIN	AUS

HINWEIS: Messen Sie die Leerlaufspannung, bevor Sie den Akku anschließen. Zum Starten des Reglers muss diese mehr als 10 Volt betragen. Wenn die Einstellschalter für Systemspannung auf Auto-Erkennung eingestellt sind, werden Akkuspannungen von über 15,5 V als Akku mit 24 V Nennspannung erkannt und das Gerät lädt entsprechend. Die Auto-Auswahl 12/24 V wird nur bei Inbetriebnahme durchgeführt und die erfasste Systemspannung wird niemals während des Betriebs geändert.

Im Allgemeinen ist die Systemspannung bekannt, und Schalter 2 und 3 sollten entsprechend eingestellt werden; die Einstellung Auto-Erkennung sollte nur in seltenen Fällen angewendet werden.

Schalter 4, 5, 6: Auswahl Akku-Typ

Voreingestellte EcoBoost MPPT Akkuladeoptionen sind in Tabelle 3-1 unten dargestellt. Alle aufgelisteten Spannungseinstellungen sind für Akkus mit 12 Volt Nennspannung vorgesehen.

Für 24-Volt-Systeme multiplizieren Sie die Spannungseinstellungen mit zwei (2).



HINWEIS: Diese Einstellungen sind allgemeine Richtlinien für den Gebrauch nach Ermessen des Betreibers. Der EcoBoost MPPT kann programmiert werden, um eine Vielzahl an Ladeparametern zu erfüllen. Erkundigen Sie sich beim Akkuhersteller nach den optimalen Akkuladeeinstellungen.

Schalter 7: Akku-Ausgleich

Modus	Schalter 7
Manueller Ausgleich	AUS
Automatischer Ausgleich	EIN

Schalter 8: Reserviert für zukünftige Anwendungen

DIP-Schalter-einstellungen 4-5-6	Akkutyp	Absorptionsstufe (Volt)	Erhaltungsstufe (Volt)	Ausgleichsstufe (Volt)	Absorp. Zeit (Minuten)	Ausgleichszeit (Minuten)	Ausgleich Timeout (Minuten)	Ausgleich Intervall (Tage)	LVD (Volt)	LVR (Volt)
aus-aus-aus	1 – Verschlossen*	14,00	13,50		150				11,50	12,60
aus-aus-ein	2 – Verschlossen*	14,15	13,50	14,40	150	60	120	28	11,30	12,80
aus-ein-aus	3 – Verschlossen*	14,30	13,50	14,60	150	60	120	28	11,50	13,00
aus-ein-ein	4 – AGM/Flüssigkeit	14,40	13,50	15,10	180	120	180	28	11,70	13,20
ein-aus-aus	5 – Flüssigkeit	14,60	13,50	15,30	180	120	180	28	11,90	13,40
ein-aus-ein	6 – Flüssigkeit	14,70	13,50	15,40	180	180	240	28	12,10	13,60
ein-ein-aus	7 – L - 16	15,40	13,40	16,00	180	180	240	14	12,30	13,80
ein-ein-ein	8 – Benutzerdefiniert	Benutzerdefiniert	Benutzerdefiniert	Benutzerdefiniert	Benutzerdefiniert	Benutzerdefiniert	Benutzerdefiniert	Benutzerdefiniert	Benutzerdefiniert	Benutzerdefiniert

* Akkutyp „verschlossen“ enthält Gel und AGM-Akkus

Tabelle 3.1. Akku-Ladeeinstellungen für jeden wählbaren Akkutyp

3.3 Montage

Überprüfen Sie den Regler auf Transportschäden. Montieren Sie den EcoBoost MPPT an einer vertikalen Fläche (4 selbstschneidende Schrauben Nr. 8 liegen bei). Ziehen Sie die Befestigungsschrauben an, aber achten Sie darauf, das Kunststoffgehäuse nicht zu beschädigen. Nicht direkt über einer leicht brennbaren Oberfläche installieren, da der Kühlkörper unter bestimmten Betriebsbedingungen heiß werden kann.



HINWEIS: Der Kühlkörper muss sich in einer vertikalen Position befinden (Kühlrippen oben und unten).

Lassen Sie für eine ausreichende Luftzufuhr mindestens 15 cm Abstand oberhalb und unterhalb des Reglers und 5 cm an den Seiten – siehe Abbildung 3-2 unten. Installieren Sie den Regler in einem vor Regen und Sonne geschützten Bereich.

Wenn der Regler in einem Gehäuse installiert wird, wird eine Belüftung empfohlen. Vermeiden Sie Gehäuse, in denen sich Akkugase sammeln können.

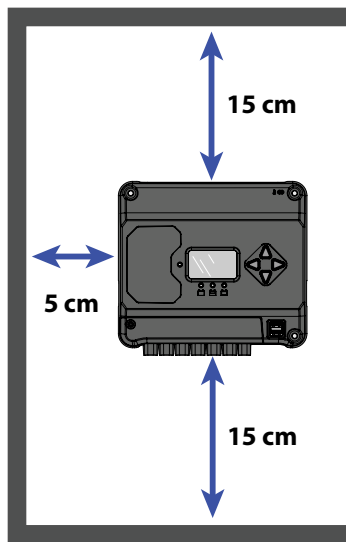


Abbildung 3-2. Korrekte Abstände für passive Kühlung

3.4 Verdrahtung

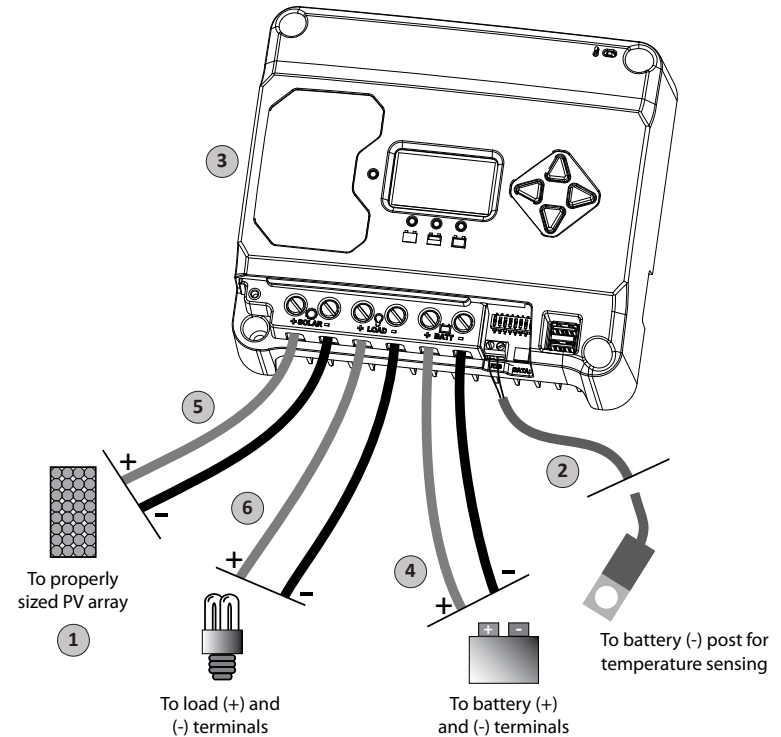


Abbildung 3-3. Verkabelung des EcoBoost MPPT

DIE FOLGENDEN ANWEISUNGEN ZUR VERKABELUNG BEZIEHEN SICH AUF ABBILDUNG 3.3.

SCHRITT 1: Überprüfen der Einschränkungen für den Regler

Stellen Sie sicher, dass die höchste temperaturkompensierte Leerlaufspannung (Voc) und der Ladestrom der Solaranlage die Nennwerte der installierten EcoBoost MPPT Version nicht überschreiten.

Mehrere Regler können parallel an der gleichen Akkubank installiert werden, um einen größeren Gesamtladestrom zu erreichen. Bei diesem Systemtyp muss jeder EcoBoost MPPT an eine eigene Solaranlage angeschlossen sein. Die Ladeanschlüsse mehrerer Regler können nur dann zusammengeschaltet werden, wenn die Gesamtlast nicht die NIEDRIGSTE auf dem Typenschild eines der Regler angegebene Stromstärke übersteigt.

SCHRITT 2: Temperatur-Fernsensor



WARNUNG: Brandgefahr

Wenn kein Temperatur-Fernsensor (RTS) angeschlossen ist, verwenden Sie den EcoBoost MPPT innerhalb eines 3-m-Abstands von den Akkus. Wenn der RTS nicht angeschlossen ist, wird interne Temperaturkompensation verwendet. Die Verwendung des RTS wird dringend empfohlen.

Alle Ladeeinstellungen beruhen auf 25 °C (77 °F). Wenn die Akkutemperatur um 5 °C abweicht, ändert sich die Ladeeinstellung um 0,15 Volt für einen 12-Volt-Akku. Dies stellt eine wesentliche Änderung der Akkuladung dar, die Verwendung des optionalen Temperatur-Fernsensors (RTS) wird also empfohlen, um die Ladung an die tatsächliche Akkutemperatur anzupassen. Der RTS kann zu jeder Zeit nach Installation des Systems hinzugefügt werden.

Schließen Sie den RTS an die zweipolige Klemme zwischen Akku (-) und Masseanschlussfahnen (siehe Abbildung) an.

Der RTS wird mit einem 10 m langen 22-AWG-Kabel (0,34 mm²) geliefert. Es gibt keine Polarität, es kann also jede Leitung (+ oder -) an die entsprechende Klemme angeschlossen werden. Die RTS-Leitung kann mit den Stromleitern verlegt werden. Ziehen Sie die Anschlussschrauben auf ein Drehmoment von 0,56 Nm an. Separate Installationsanweisungen finden Sie im Inneren der RTS-Tasche.



WARNUNG: Geräteschäden

Platzieren Sie den Temperatursensor niemals im Inneren einer Akkuzelle. Sowohl RTS als auch Akku werden beschädigt.



ACHTUNG: Der EcoBoost MPPT verwendet den lokalen Temperatursensor zur Kompensation, wenn der RTS nicht verwendet wird.



HINWEIS: Das RTS-Kabel kann gekürzt werden, wenn die volle Länge nicht erforderlich ist. Achten Sie darauf, die Eisendrossel am Ende des RTS erneut zu installieren, wenn ein Stück Kabel entfernt wurde. Diese Drossel garantiert die Einhaltung der elektromagnetischen Emissionsnormen.

SCHRITT 3: Erdung und Erdschluss-Unterbrechung



WARNUNG:

Diese Einheit ist nicht mit einer GFDI-Sicherung ausgestattet. Dieser Laderegler muss entsprechend der lokalen Gesetzgebung mit einer externen GFDI-Sicherung verwendet werden.



HINWEIS:

Abhängig von dem Land, in dem die Installation erfolgt, dürfen Leiter mit der Farbe grün bzw. der Farbkombination grün/gelb nur für Erdungsleiter verwendet werden.

Benutzen Sie die M4-Schraube an der linken Seite des Kühlkörpers zur Befestigung eines Erdungskabels an die Schraube/den Kühlkörper (siehe S. 18 für Erdungskabelgrößen) und verbinden Sie das Kabel mit der Erde. Binden Sie außerdem Metallreste gegen Erde ab.



WARNUNG: Brandgefahr

Verbinden Sie die Negativleitung des Gleichstromsystems NICHT mit der Masseleitung oder dem Kühlkörper des EcoBoost MPPT. Wenn die lokale Gesetzgebung die Verwendung einer GFDI-Sicherung vorsieht, muss die Negativleitung an einem einzigen Punkt über die GFDI-Sicherung mit der Erde verbunden sein.

Nach IEC 62109 entsprechen die Mindestgrößen der Erdungsleiter aus Kupfer:

- EcoBoost MPPT-20 10 mm²
- EcoBoost MPPT-30 10 mm²
- EcoBoost MPPT-40 10 mm²

ODER dem mindestens dem Querschnitt der PV-Kabel.

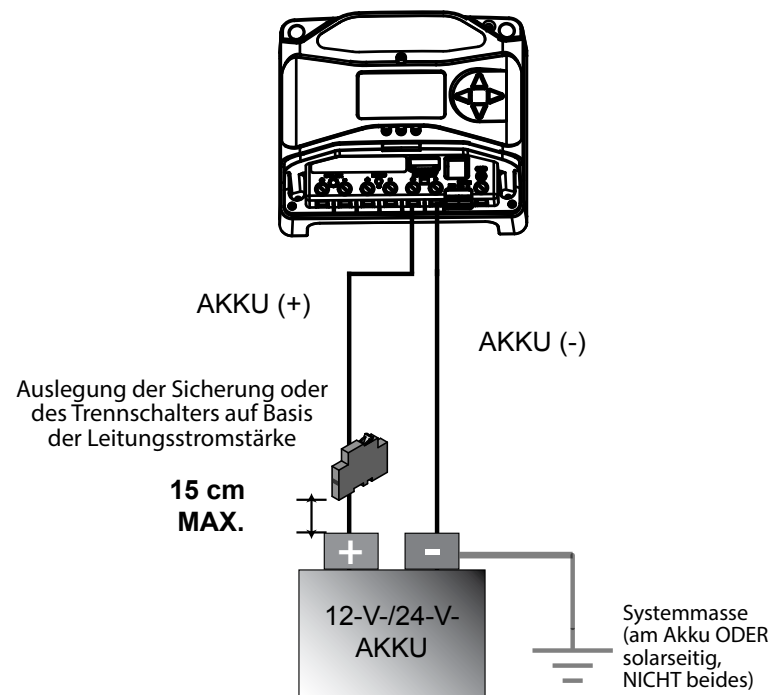
Aus Sicherheitsgründen und für einen wirksamen Blitzschutz wird eine ordnungsgemäße Erdung des negativen Leiters des Ladesystems empfohlen und ist unter Umständen auch gesetzlich vorgeschrieben. Verbinden Sie den negativen Leiter nicht mit dem Erdungsanschluss des Kühlkörpers.

SCHRITT 4: Akku-Anschlüsse – siehe Abbildung unten

Stellen Sie sicher, dass die DIP-Schalter 2 und 3 für 12 oder 24 V eingestellt sind, wie in Abschnitt 3.2 beschrieben.

HINWEIS: Messen Sie die Leerlaufspannung, bevor Sie den Akku anschließen. Zum Starten des Reglers muss diese mehr als 10 Volt betragen. Wenn die Einstellschalter für Systemspannung auf Auto-Erkennung eingestellt sind, werden Akkuspannungen von über 15,5 V als Akku mit 24 V Nennspannung erkannt und das Gerät lädt entsprechend. Die Auto-Auswahl 12/24 V wird nur bei Inbetriebnahme durchgeführt.

Schließen Sie bei offenem Akku-Trennschalter die Akkuleitungen (+) und (-) vom Akku an den Regler an. **SCHLIESSEN SIE ZU DIESEM ZEITPUNKT NICHT DEN TRENN SCHALTER.**



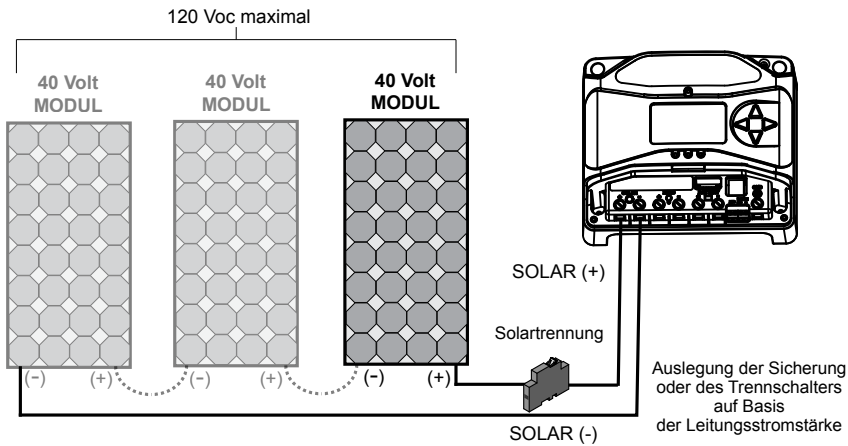
SCHRITT 5: Solar-Anschlüsse – siehe Abbildung unten



WARNUNG: Gefahr von Stromschlägen

Die PV-Solaranlage kann im Sonnenlicht Leerlaufspannungen von über 120 V DC produzieren. Überprüfen Sie, dass die Solareingangs-Trennschalter getrennt oder geöffnet (nicht angeschlossen) sind, bevor Sie die Systemleitungen installieren.

Schließen Sie die Leitungen der (PV-)Solaranlage bei geöffnetem Solar-Trennschalter an die Solarklemmen des EcoBoost MPPT an. Seien Sie vorsichtig, da die Solaranlage im Sonnenlicht stets Strom produziert. Ein Solar-Trennschalter ist eine praktische Vorrichtung, um die PV-Verbindung bei Bedarf zu unterbrechen. **SCHLIESSEN SIE ZU DIESEM ZEITPUNKT NICHT DEN TRENN SCHALTER.**



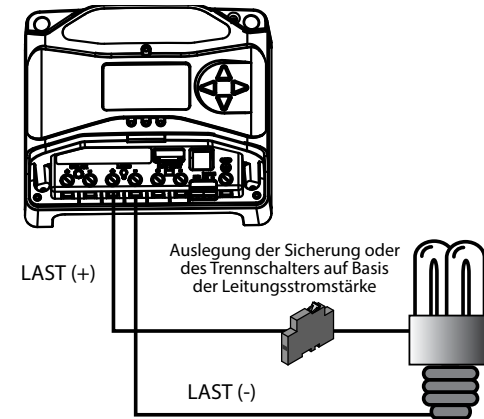
SCHRITT 6: Lastanschlüsse – siehe Abbildung unten



ACHTUNG: Geräteschäden

Schließen Sie keinen Wechselrichter an die Lastanschlüsse des EcoBoost MPPT an. Dies kann zu Schäden an der Laststeuerschaltung führen. Ein Wechselrichter sollte mit dem Akku verbunden werden. Wenn die Möglichkeit besteht, dass eine andere Last manchmal die Maximalspannung oder die Stromgrenzwerte des EcoBoost MPPT überschreitet, sollte das Bauteil direkt mit dem Akku oder der Akkubank verdrahtet werden. Wenn eine Laststeuerung notwendig ist, wenden Sie an den technischen Support von Morningstar, der Ihnen weiterhelfen kann.

Schalten Sie die Last ab und verbinden Sie die Lastleitungen mit den Lastklemmen. **SCHLIESSEN SIE ZU DIESEM ZEITPUNKT NICHT DEN TRENNSCHALTER.**



SCHRITT 7: Einschalten und Überprüfen des Systembetriebs



HINWEIS: Beobachten Sie die LEDs sorgfältig nach jedem Anschluss. Die LEDs zeigen korrekte Polarität und eine gute Verbindung.

Schließen Sie den Akku-Trennschalter, um den Regler einzuschalten. Beobachten Sie den Ladestatus und dann die drei Akku-Ladestatus-LEDs, diese blinken in der Reihenfolge (Gn-Ge-Rt) und bestätigen korrekte Inbetriebnahme. Wenn sie nicht leuchten, prüfen Sie die Polarität des Akkus (+/-) und die Akkuspannung.

Als Nächstes leuchtet die grüne, gelbe oder rote LED in Abhängigkeit vom Akku-Ladezustand. Stellen Sie sicher, dass eine dieser LEDs leuchtet, bevor Sie mit dem nächsten Schritt fortfahren.

Schließen Sie den Solar-Trennschalter. Wenn der Solareingang angeschlossen ist, leuchtet bei Sonneneinstrahlung die Ladeanzeige-LED.

Bestätigen Sie korrekte Verbindung durch Beobachten der Lade-LED.

Schließen Sie den Trennschalter und schalten Sie die Last ein, um eine ordnungsgemäße Verbindung zu bestätigen.

Wenn das Laden nicht startet, kann das verschiedene Gründe haben:

- der EcoBoost MPPT ist in LVD (rote LED an)
- es gibt einen Kurzschluss im Ladekreis (LEDs blinken Rt/Gn – Ge)
- es gibt einen Überlastzustand (LEDs blinken Rt/Ge – Gn)
- Ladekreis ist nicht angeschlossen, funktioniert nicht oder ist ausgeschaltet

Beobachten Sie die LEDs nachdem alle Anschlüsse vorgenommen wurden um sicherzustellen, dass der Regler für Systembedingungen normal funktioniert. Bei Verwendung des optionalen digitalen Messgeräts beobachten Sie, ob in der Anzeige die korrekten Spannungs- und Stromwerte durchlaufen. Mit dem digitalen Messgerät kann auch ein Selbsttest durchgeführt werden.

SCHRITT 8: Ab schalten



WARNUNG: Gefahr von Schäden

Trennen Sie den Akku NUR vom EcoBoost MPPT, NACHDEM der Solareingang getrennt wurde. Schäden am Regler können die Folge sein, wenn der Akku entfernt wird, während der EcoBoost MPPT lädt.

- Um Schäden zu vermeiden, muss das Ausschalten in umgekehrter Reihenfolge des Einschaltens vorgenommen werden.

4.1 TrakStar™ MPPT-Technologie

Der EcoBoost MPPT nutzt die MPP (Maximum Power Point)-Tracking-Technologie von Morningstar, um maximale Leistung (Energie) aus den Solarmodulen zu gewinnen. Der Tracking-Algorithmus ist voll automatisiert und erfordert keinerlei Einstellungen seitens des Benutzers. Die TrakStar-Technologie verfolgt die maximale Power Point-Spannung (V_{mp}) der Solarmodulanordnung je nach Wetterbedingung und stellt somit sicher, dass die Solarmodulanordnung während des Tages eine maximale Energieleistung erzielt.

Hochspannungs-Strings und an das Stromnetz angeschlossene Module

Ein weiterer Vorteil der TrakStar MPPT-Technologie liegt darin, 12-Volt- oder 24-Volt-Batterien mit Solarmodulanordnungen höherer Nennspannungen aufladen zu können. Eine 12-V-Akkubank kann mit einer standardmäßigen 12-V-, 24-V-, 36-V- oder 48-V-Solarmodulanordnung aufgeladen werden, die nicht an ein Stromnetz angeschlossen ist. Bestimmte, an ein Stromnetz angeschlossene Solarmodule können auch verwendet werden, solange die Ruhespannung (V_{oc}) den maximalen Eingangsspannungsnennwert des EcoBoost MPPT von 120 V bei der ungünstigsten (kältesten) Modultemperatur nicht übersteigt. Vergleichsdaten zwischen Ruhespannung (V_{oc}) und Temperatur finden Sie in der Solarmodul-Dokumentation. Eine höhere Solareingangsspannung resultiert in niedrigeren Solareingangsstromwerten für eine bestimmte Eingangsleistung. Hochspannung-Solarmodul-Strings ermöglichen eine kleinere Kabelgröße für die Solarverkabelung. Dies ist besonders nützlich für Systeme mit langen Verkabelungsstrecken zwischen der Solarmodulanordnung und dem EcoBoost MPPT.

4.2 Akku-Ladung

4-Stufen-Ladung

Der EcoBoost MPPT verfügt über einen vierstufigen Akkuladealgorithmus für schnelles, effizientes und sicheres Akkuladen. Abbildung 4-1 zeigt die Stufenfolge.

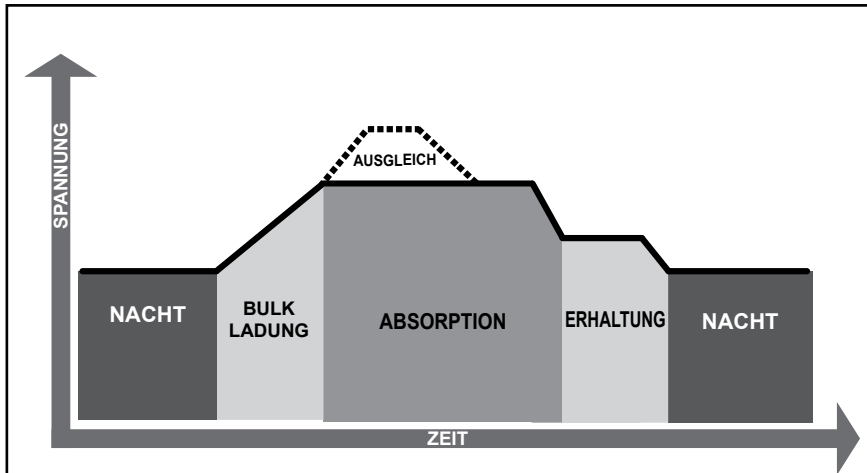


Abbildung 4-1. EcoBoost MPPT-Ladealgorithmus



WARNUNG: Explosionsgefahr

Der Ausgleichbelüfteter Akku produziert explosive Gase. Die Akkubank muss ausreichend belüftet werden.



ACHTUNG: Geräteschäden

Eine Ausgleich erhöht die Akkuspannung auf eine Stufe, die empfindliche Gleichspannungslasten beschädigen kann. Überprüfen Sie, ob alle Systemlasten für die temperaturkompensierte Ausgleichsspannung ausgelegt sind, bevor Sie mit einer Ausgleichsladung beginnen.



ACHTUNG: Geräteschäden

Übermäßige Überladung und zu starke Gasbildung kann die Akkuplatten beschädigen und ein Austreten von aktivem Material aus den Platten bewirken. Ein zu hoher Ausgleich für eine zu lange Zeit kann schädlich sein. Überprüfen Sie die Anforderungen an die einzelnen Akkus, die in Ihrem System Verwendung finden.

Einstellungen für Akkuladung

Voreingestellte EcoBoost MPPT Akkuladeoptionen sind in den Tabellen 4-1 und 4-2 unten dargestellt. Alle aufgelisteten Spannungseinstellungen sind für Akkus mit 12 Volt Nennspannung vorgesehen. Für 24-Volt-Akkus multiplizieren Sie die Spannungseinstellungen mit zwei (2).



HINWEIS: Diese Einstellungen sind allgemeine Richtlinien für den Gebrauch nach Ermessen des Betreibers. Der EcoBoost MPPT kann programmiert werden, um eine Vielzahl an Ladeparametern zu erfüllen. Erkundigen Sie sich beim Akkuhersteller nach den optimalen Akkuladeeinstellungen.

DIP-Schalter-einstellungen 4-5-6	Akkutyp	Absorptionsstufe (Volt)	Erhaltungstufe (Volt)	Ausgleichsstufe (Volt)	Absorp. Zeit (Minuten)	Ausgleichszeit (Minuten)	Ausgleich Timeout (Minuten)	Ausgleich Intervall (Tage)	LVD (Volt)	LVR (Volt)
aus-aus-aus	1 – Verschlossen*	14,00	13,50		150				11,50	12,60
aus-aus-ein	2 – Verschlossen*	14,15	13,50	14,40	150	60	120	28	11,30	12,80
aus-ein-aus	3 – Verschlossen*	14,30	13,50	14,60	150	60	120	28	11,50	13,00
aus-ein-ein	4 – AGM/Flüssigkeit	14,40	13,50	15,10	180	120	180	28	11,70	13,20
ein-aus-aus	5 – Flüssigkeit	14,60	13,50	15,30	180	120	180	28	11,90	13,40
ein-aus-ein	6 – Flüssigkeit	14,70	13,50	15,40	180	180	240	28	12,10	13,60
ein-ein-aus	7 – L - 16	15,40	13,40	16,00	180	180	240	14	12,30	13,80
ein-ein-ein	8 – Benutzerdefiniert	Benutzerdefiniert	Benutzerdefiniert	Benutzerdefiniert	Benutzerdefiniert	Benutzerdefiniert	Benutzerdefiniert	Benutzerdefiniert	Benutzerdefiniert	Benutzerdefiniert

* Akkutyp „verschlossen“ enthält Gel und AGM-Akkus

Tabelle 4-1. Akku-Ladeeinstellungen für jeden wählbaren Akkutyp

Gemeinsame Einstellungen	Wert	Einheiten
Absorption Erweiterungsspannung	12,50	Volt
Absorption Erweiterungszeit	Absorptionszeit + 30	Minuten
Erhaltungsende Time-out	30	Minuten
Erhaltungsspannung	12,30	Volt
Ausgleich Time-out	Ausgleich Zeit + 60	Minuten
Temperaturkompensation, Koeffizient	- 30	mV / °C / 12 V

Tabelle 4-2. Akkueinstellungen, die für alle Akkutypen gemeinsam gelten

4.3 Laststeuerinformation

Der primäre Zweck der Laststeuerfunktion ist es, die Systemlasten zu trennen, wenn der Akku bis zu einem niedrigen Ladezustand entladen wurde, und die Systemlasten wieder anzuschließen, wenn der Akku ausreichend aufgeladen wurde. Systemlasten können Leuchten, Gleichstromverbraucher und andere elektronische Bauteile sein. Die gesamte Stromentnahme aller Lasten darf die Maximallast von 20 A (EB-20/M) bzw. 30 A (EB-30/M oder EB-40/M) nicht überschreiten.



ACHTUNG: Geräteschäden

Schließen Sie keinen Wechselrichter an die Lastanschlüsse des EcoBoost MPPT an. Dies kann zu Schäden an der Laststeuerschaltung führen. Ein Wechselrichter sollte mit dem Akku verbunden werden. Wenn die Möglichkeit besteht, dass eine andere Last manchmal die Maximalspannung oder die Stromgrenzwerte des EcoBoost MPPT überschreitet, sollte das Bauteil direkt mit dem Akku oder der Akkubank verdrahtet werden. Wenn eine Laststeuerung notwendig ist, wenden Sie an den technischen Support von Morningstar, der Ihnen weiterhelfen kann.

Allgemeine Hinweise zur Laststeuerung:

Schalten Sie nicht mehrere EcoBoost MPPT-Lastausgänge mit DC-Lasten von mehr als 20 oder 30 A parallel zusammen, abhängig vom EcoBoost MPPT Modell, das Sie benutzen. Eine gleichmäßige Stromverteilung kann nicht sichergestellt werden und wahrscheinlich wird ein Überlastzustand an einem oder mehreren Reglern auftreten.



ACHTUNG: Geräteschäden

Gehen Sie beim Anschließen von Lasten mit spezifischer Polarität an eine Live-Lastschaltung mit Vorsicht vor. Eine Verpolung kann die Last beschädigen. Prüfen Sie die Lastanschlüsse vor dem Einschalten immer zweimal.

4.4 LED-Anzeigen

LEGENDE:

Gn = grün

Ge = gelb

Rt = Rot

Gn – Ge – Rt = blinken nacheinander

Gn/Ge = blinken zusammen

Gn/Ge – Rt = Gn und Ge blinken zusammen, abwechselnd mit der roten Leuchte

4.4.1 Einschalten

Normales Einschalten: Status-LED blinkt **Gn**, dann blinken die Ladezustand-LEDs **Gn – Ge – Rt**, dann zeigen die Ladezustand-LEDs den Akku-Ladestatus mit einer einzelnen Akkustatus-LED an.

Bootloader fehlgeschlagen: Status-LED blinkt **Gn**, dann blinken die Ladezustand-LEDs **Gn – Ge** und stoppen dauerhaft bei **Ge**.

4.4.2 Status-LED

Die Status-LED zeigt den Ladestatus und alle vorhandenen Fehlerbedingungen am Solareingang. Die Status-LED leuchtet während des Ladens am Tag und ist nachts aus. Die Status-LED blinkt rot im Falle von Fehlerbedingung(en). Tabelle 4.4 listet die Status-LED-Anzeigen auf.

Farbe	Anzeige	Betriebszustand
Keine	Aus (pulsierend ¹)	Nacht
Grün	Ein, dauerhaft (pulsierend ²)	Ladung
Rot	Blinkt	Fehler
Rot	Ein, dauerhaft (pulsierend ²)	Kritischer Fehler

¹ Herzschlag Anzeige – die Status LED flimmert alle 5 Sekunden leicht an

² Herzschlag Anzeige – die Status LED flimmert alle 5 Sekunden leicht aus

Tabelle 4-3. Status-LED Definitionen

HINWEISE:

- 1) **Rt** blinken ist in der Regel ein benutzeradressierbarer Fehler / Störung
- 2) **Rt** Ladestatus LED EIN pulsierend, alle 5 Sekunden AUS ist ein kritischer Fehler, der in der Regel repariert werden muss. Siehe „Dauerhafte Ladestatus-LED mit Selbsttest (Rt-Ge-Gn) SOC-Fehler“, in Abschnitt 5.1.

4.4.3 Ladestands-LEDs

Die Akku-SOC-LED-Anzeigen sind in Tabelle 4-4 unten dargestellt.

Zustand	Anzeige
Absorption	Gn blinkt jede Sekunde
Erhaltung	Gn blinkt alle 2 Sekunden
Ausgleich	Gn blinkt zweimal in der Sekunde
SOC > 13,5 V	Gn leuchtet dauerhaft
13,5 V > SOC > 13,0 V	Gn/Ge leuchten dauerhaft
13,0 V > SOC > 12,5 V	Ge leuchtet dauerhaft
SOC < 12,5 V	Ge/Rt leuchten dauerhaft
Unterspannungs-Trennwarnung	Rt blinkt jede Sekunde
Unterspannungstrennung	Rt leuchtet dauerhaft

Tabelle 4-4. Akku-SOC-LED-Anzeigen

4.5 Alarme

Solar-Überladung

Keine LED-Anzeige. Der EcoBoost MPPT begrenzt den Akkustrom auf maximal 20, 30 oder 40 Ampere. Eine übergroße Solaranlage wird nicht bei Spitzenstrom arbeiten. Die Solaranlage sollte für eine optimale Leistung weniger als die maximale Nenn-Eingangsleistung des EcoBoost MPPT haben. Siehe Abschnitt 7.0 – Technische Daten für weitere Informationen.

Hochtemperatur-Strombegrenzung

Der EcoBoost MPPT begrenzt den Solareingangsstrom, wenn die Temperatur des Kühlkörpers die Sicherheitsgrenzen überschreitet. Der Solarladestrom wird zurückgefahren (auf 0 Ampere falls notwendig), um die Temperatur des Kühlkörpers zu senken. Der EcoBoost MPPT ist für den Betrieb bei Nennstrom und maximaler Umgebungstemperatur ausgelegt. Dieser Alarm zeigt an, dass es nicht genügend Luftströmung gibt und dass sich die Temperatur des Kühlkörpers unsicheren Grenzen nähert. Wenn der Regler diese Alarmbedingung häufig meldet, müssen Korrekturmaßnahmen für eine bessere Luftströmung ergriffen werden oder der Regler muss an einen kühleren Ort verlegt werden.

Strombegrenzung bei hoher Eingangsspannung

Der EcoBoost MPPT begrenzt den Solareingangsstrom, wenn die Voc der Solaranlage sich der maximalen Eingangsnennspannung nähert. Die Voc der Solaranlage sollte die maximale Eingangsspannung von 120 Volt niemals überschreiten – siehe Grafik zur Spannungsabsenkung in der Solaranlage im Anhang.

Strombegrenzung

Die Leistung der Anlage übersteigt die Nennwerte des Reglers. Dieser Alarm zeigt an, dass der EcoBoost MPPT den Akkustrom auf den maximalen Nennstrom begrenzt.

RTS offen

Der Temperatur-Fernsensor ist nicht an den Regler angeschlossen. Die Verwendung des RTS wird für korrekte Akkuladung empfohlen.

Kühlkörper-Temperatursensor offen/Kurzschluss

Der Kühlkörper-Temperatursensor ist beschädigt. Senden Sie den Regler zur Reparatur an einen autorisierten Morningstar-Händler.

Nicht kalibriert

Der Regler wurde im Werk nicht kalibriert. Senden Sie den Regler zur Reparatur an einen autorisierten Morningstar-Händler.

4.6 Benutzerdefinierte Einstellungen

4.6.1 SollwertEinstellung mit der Messgeräte-Anzeige

Der EcoBoost MPPT ist verfügbar in Versionen mit und ohne Messgeräte-Anzeige. Das Modell mit Messgerät ermöglicht:

- Kundenspezifische Programmierung, einschließlich Lichtprogramme, direkt am Gerät.
- Umfangreiche Einstellungen, Anpassungen und Informationen wie teilweise in Abbildung 4-2 unten gezeigt.

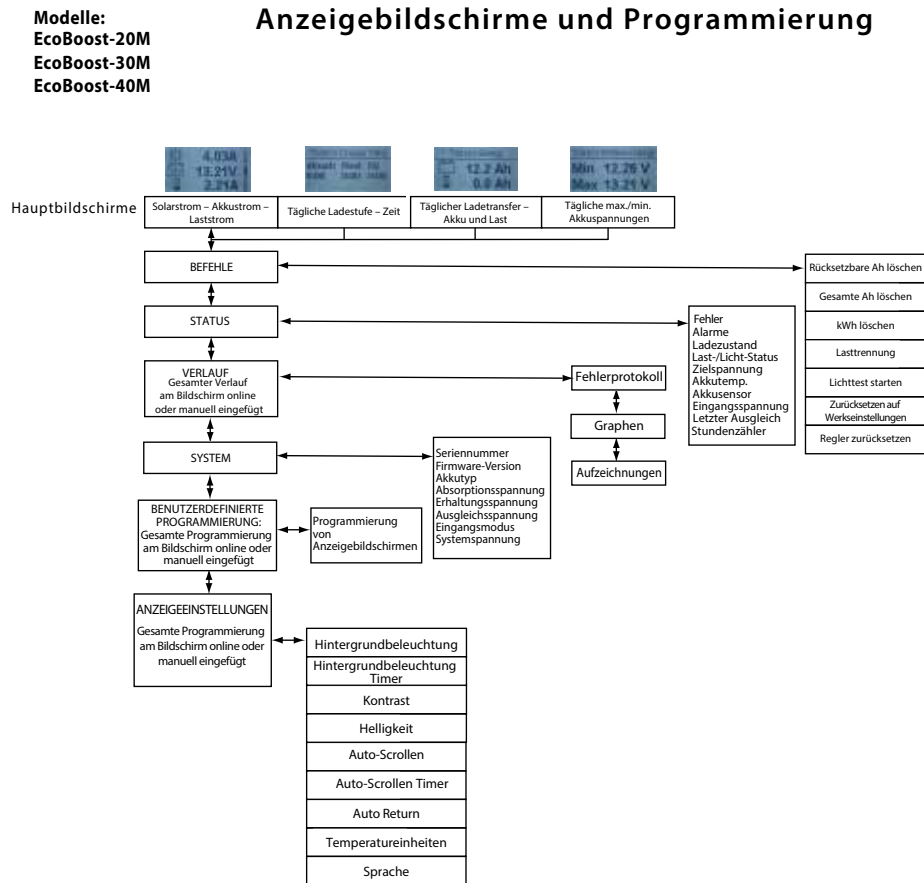


Abbildung 4-2. Vereinfachter Plan der Messgeräte-Anzeige.

Für Modelle mit Messgerät finden Sie den kompletten Plan beigefügt oder in den EcoBoost MPPT Support-Dokumenten unter:

www.morningstarcorp.com

4.6.2 Arbeit mit der Messgeräte-Anzeige

4.6.2.1 Verwendung der Richtungstasten und Bedienung/Navigation im Messanzeigenfeld

Das Anzeigenfeld des EcoBoost MPPT besteht aus zwei Hauptachsen: Der horizontale Top-Level-Bildschirm zur täglichen Überwachung und die vertikal gelisteten Bildschirme des Hauptmenüs. Die vier beleuchteten dreieckigen Richtungstasten ermöglichen die Bewegung und das Erreichen jedes Punktes im Menüplan. Eine beleuchtete Taste zeigt eine gültige Richtung im Plan an. Die aktuelle Position wird auf dem Display mit einer Spaltenüberschrift und einer Beschreibung in Fettdruck angezeigt.

4.6.2.2 Einstellung der Messgeräte-Anzeige

Die Einstelloptionen der Anzeige sind, wie in Abbildung 4-2 gezeigt, mit den Richtungstasten zur Auswahl und Bearbeitung der jeweiligen Einstellung oder Variablen einstellbar.

4.7 Datenaufzeichnung (zukünftige Anwendung)

Der EcoBoost MPPT zeichnet 30 Tage lang grundlegende Systemdaten auf:

- Tägliche Mindestakkuspannung
- Tägliche Maximalakkuspannung
- Tägliche Ereignisse (Ausgleich ausgelöst, Erhaltung begonnen, Alarm/Fehler aufgetreten, Rücksetzung)
- Fehler/Alarmer – werden nur aufgezeichnet, wenn ein Fehler oder Alarm an diesem Tag auftritt
- Tägliche Akkuladung

Die EcoBoost MPPT USB Micro-B-Schnittstelle (für eine zukünftige Anwendung) ermöglicht eine Datenübertragung bei mobilen Anwendungen.

4.8 Zusätzliche USB-Ladeanschlüsse

1) Der EcoBoost MPPT verfügt über zwei USB-A-Schnittstellen, die zum Laden kleiner Elektronikgeräte verwendet werden können. Als Energiequelle dient der Systemakku, sodass jede Zusatzladung mit den anderen Lastentnahmen vom Systemakku abgestimmt sein muss.

2) Die USB-Ladeanschlüsse funktionieren unter allen Bedingungen, außer für LVD, HVD oder eine vom Anwender gewollte Lasttrennung (z. B. über eine Eingabe am Messgerät). Bei LVD, HVD und einer Lasttrennung werden die Hauptlast und die USB-Anschlüsse abgeschaltet.

3) Wenn bei der Hauptlast irgendein Fehler auftritt (Kurzschluss am FET usw.), sind die USB-Ladeanschlüsse davon nicht beeinträchtigt.

4.9 Inspektion und Wartung

Tabelle 4-5 unten zeigt den empfohlenen Wartungsplan, um stets eine optimale Leistung Ihres EcoBoost MPPT zu gewährleisten.



WARNUNG: GEFAHR VON STROMSCHLÄGEN.
EINSPEISEKLEMME UND ZUBEHÖRANSCHLÜSSE SIND NICHT GALVANISCH GETRENNT VOM DC-EINGANG UND STEHEN EVENTUELL UNTER GEFÄHRLICHER SOLARSPANNUNG. UNTER BESTIMMTEN STÖRFALLBEDINGUNGEN KANN ES ZU EINER ÜBERLADUNG DES AKKUS KOMMEN. PRÜFEN SIE ALLE ANSCHLÜSSE UND DIE ERDUNG, BEVOR SIE DAS GERÄT BERÜHREN.



WARNUNG: GEFAHR VON STROMSCHLÄGEN
TRENNEN SIE DEN REGLER VON ALLEN STROMQUELLEN, BEVOR SIE DEN DECKEL DER LEITUNGSDOSE ABNEHMEN. NEHMEN SIE NIEMALS DEN DECKEL AB, WENN DIE ANSCHLÜSSE DES ECOBOOST MPPT UNTER SPANNUNG STEHEN.

Zeitplan	Wartungsarbeiten
2 Wochen nach der Installation	Ziehen Sie die Leistungsanschlüsse wieder auf die angegebenen Drehmomentwerte an.
3 Monate nach der Installation	Ziehen Sie die Leistungsanschlüsse wieder auf die angegebenen Drehmomentwerte an.
Monatlich oder nach jedem Ausgleich	Überprüfen Sie die Akkubank. Achten Sie auf Risse und Beulen im Gehäuse sowie korrodierte Anschlussklemmen. Achten Sie bei Nasszellenakkus auf einen korrekten Wasserfüllstand. Der Wasserfüllstand der Nasszellen sollte monatlich gemäß den Herstellerempfehlungen geprüft werden.
Jährlich	Reinigen Sie die Kühlkörperlamellen mit einem sauberen und trockenen Tuch. Prüfen Sie alle Kabel auf Schäden und Scheuerstellen. Suchen Sie nach Insektenestern. Ziehen Sie alle Kabelanschlüsse wieder auf die angegebenen Drehmomentwerte an. Prüfen Sie die Schutzerdung aller Systembauteile. Sorgen Sie dafür, dass alle Erdungsleiter ordnungsgemäß sicher geerdet sind.

Tabelle 4-5. Wartungsplan



WARNUNG: GEFAHR VON STROMSCHLÄGEN.
EINSPEISEKLEMME UND ZUBEHÖRANSCHLÜSSE SIND NICHT GALVANISCH GETRENNT VOM DC-EINGANG UND STEHEN EVENTUELL UNTER GEFÄHRLICHER SOLARSPANNUNG. UNTER BESTIMMTEN STÖRFALLBEDINGUNGEN KANN ES ZU EINER ÜBERLADUNG DES AKKUS KOMMEN. PRÜFEN SIE ALLE ANSCHLÜSSE UND DIE ERDUNG, BEVOR SIE DAS GERÄT BERÜHREN.



WARNUNG: GEFAHR VON STROMSCHLÄGEN
ES MUSS EINE EINRICHTUNG ZUM ABSCHALTEN DER GESAMTEN STROMVERSORGUNG VORHANDEN SEIN. DIESE TRENNSCHALTER MÜSSEN IN DIE FESTE VERDRAHTUNG INTEGRIERT SEIN. ÖFFNEN SIE ALLE TRENNSCHALTER, BEVOR SIE DEN DECKEL ZUR REGLERVERKABELUNG ENTFERNEN ODER AUF KABEL ZUGREIFEN.

5.1 LED-Fehleranzeigen

Last-Überstrom

Fehlerstatus-LED: Blinkt Rot. Akkustatus-LEDs: Rt-Ge-Gn Reihenfolge.

Solar-Kurzschluss

Ladestatus-LED: AUS. Solar-Eingangleitungen sind kurzgeschlossen. Laden startet automatisch neu, wenn der Kurzschluss beseitigt wurde.

Akku-Verpolung

Keine LED-Anzeige, kein Strom am Gerät. Führt zu keinen Schäden am Regler. Korrigieren Sie die fehlerhafte Verdrahtung, um im Normalbetrieb fortzufahren.

Last-Kurzschluss

Fehlerstatus-LED: Blinkt Rot. Akkustatus-LEDs: Rt/Gn-Ge-Reihenfolge.

Solar-Hochspannung getrennt

Ladestatus-LED: Rt blinkt. Keine Akkustatus-Fehler. Wenn die Solareingangs-Leerlaufspannung (Voc) das 120-Volt-Maximum überschreitet, bleibt die Anlage getrennt, bis die Voc sicher unter das Maximum gefallen ist.

Temperatur-Fernsensor (RTS)

Fehlerstatus-LED: Blinkt Rot. Akkustatus-LEDs: Reihenfolge Rt/Ge – Gn/Ge.

Akku / Last Hochspannungstrennung (HVD)

Fehlerstatus-LED: Blinkt Rot. Akkustatus-LEDs: Rt-Gn-Reihenfolge.

Hohe Kühlkörpertemperatur

Fehlerstatus-LED: Blinkt Rot. Akkustatus-LEDs: Rt-Ge-Reihenfolge.

Akku-Überstrom

Fehlerstatus-LED: Blinkt Rot. Akkustatus-LEDs: Rt-Ge-Gn Reihenfolge.

Einstellungen (DIP-)Schalter geändert

Fehlerstatus-LED: Blinkt Rot. Akkustatus-LEDs: Rt-Ge-Gn Reihenfolge.

Benutzerdefinierte Einstellungen bearbeitet

Fehlerstatus-LED: Blinkt Rot. Akkustatus-LEDs: Rt-Ge-Gn Reihenfolge.

Fehler bei Firmware-Update

Das Firmware-Update wurde nicht erfolgreich programmiert. Der Regler zeigt nicht die vollständige Inbetriebnahme-LED-Reihenfolge von Gn-Ge-Rt, wenn die Stromzufuhr wiederhergestellt wurde. Stattdessen zeigt der Regler Grün an und stoppt dann bei Gelb.

DAUERHAFTE LADESTATUS-LED mit SELBSTTEST (Rt-Ge-Gn) SOC FEHLER

Stellen Sie sicher, dass nichts falsch verkabelt wurde. Ist das nicht der Fall, ist der Fehler wahrscheinlich kritisch. Kontaktieren Sie zur Unterstützung einen autorisierten Morningstar-Händler.

Fehler	Lade-Status-LED	Akku-Ladezustand-LEDs
PV FET Kurzschluss	Dauerhaft Rot	Rt-Ge-Gn Reihenfolge
Last FET Kurzschluss	Dauerhaft rot	Rt-Ge-Gn Reihenfolge
Last FET offen	Dauerhaft rot	Rt-Ge-Gn Reihenfolge
Lokaler Temperatursensor beschädigt	Dauerhaft rot (nur wenn RTS ungültig ist)	Rt-Ge-Gn Reihenfolge
Kühlkörper-Temperatursensor beschädigt	Dauerhaft rot	Rt-Ge-Gn Reihenfolge
Software	Dauerhaft rot	Rt-Ge-Gn Reihenfolge

RÜCKSETZBARE SELBSTTEST-(RT-GE-GN)-LADEZUSTAND-FEHLER

Fehler	-	Akku-Ladezustand-LEDs
Benutzerdefinierte Einstellungen bearbeitet	-	Rt-Ge-Gn Reihenfolge
DIP-Schalter verändert	-	Rt-Ge-Gn Reihenfolge

6.0

GARANTIE

BESCHRÄNKTE GARANTIE Morningstar Solarregler und Wechselrichter

Wir garantieren, dass der EcoBoost MPPT für einen Zeitraum von ZWEI (2) Jahren ab Datum der Auslieferung an den ursprünglichen Endanwender frei von Material- und Verarbeitungsfehlern ist. Morningstar wird defekte Produkte nach eigenem Ermessen reparieren oder ersetzen.

GARANTIEAUSSCHLÜSSE UND BESCHRÄNKUNGEN:

Diese Garantie gilt nicht unter den folgenden Bedingungen:

- ◆ Schäden durch Unfall, Fahrlässigkeit, Missbrauch oder unsachgemäße Verwendung
- ◆ PV- oder Lastströme oberhalb der Nennwerte dieses Produkts
- ◆ Unbefugte Produktmodifikationen oder Reparaturversuche
- ◆ Schäden, die während des Transports aufgetreten sind
- ◆ Schäden durch höhere Gewalt wie Blitzschlag oder Wetterextreme

DIE VORSTEHENDEN GARANTIE UND RECHTSMITTEL SIND EXKLUSIV UND ERSETZEN ALLE ANDEREN, AUSDRÜCKLICH ODER IMPLIZIERT. MORNINGSTAR ÜBERNIMMT INSBESONDERE KEINERLEI IMPLIZIERTE GARANTIE, EINSCHLIESSLICH ABER NICHT BESCHRÄNKT AUF GARANTIE DER MARKTFÄHIGKEIT UND EIGNUNG FÜR EINEN BESTIMMTEN ZWECK. KEIN MORNINGSTAR-HÄNDLER, -VERTRETER ODER -MITARBEITER IST BERECHTIGT, DIESE GARANTIE IN IRGEND EINER FORM ZU VERÄNDERN ODER ZU ERWEITERN.

MORNINGSTAR IST NICHT VERANTWORTLICH FÜR ZUFÄLLIGE ODER FOLGESCHÄDEN JEDLICHER ART, EINSCHLIESSLICH ABER NICHT BESCHRÄNKT AUF ENTGANGENE GEWINNE, AUSFALLZEITEN, FIRMENWERT ODER BESCHÄDIGUNGEN AN GERÄTEN UND EIGENTUM.

R15-8/15

7.0 TECHNISCHE DATEN

EB-MPPT-20M EB-MPPT-30M EB-MPPT-40M

Elektrisch:

Akku-Nennspannung	12 Volt oder 24 Volt (alle)		
Akku-Spannungsbereich	10-35 V (alle)		
Spannungsgenauigkeit	0,1 % +/- 50 mV (alle)		
Max. Akkustrom	20 Ampere	30 Ampere	40 Ampere
Max. PV-Ruhe spannung	Alle: 120 Volt		
Last-Nennstrom	20 Ampere	30 Ampere	30 Ampere
Eigenverbrauch	< 25 mA (kein Messgerät) <40 mA (Messgerät)		
LED-Anzeigen	(1) Status (3) Akku SOC		
Transient-Überspannungsschutz	4500 Watt (Solar, Akku, Last)		
Umwandlungswirkungsgrad (Spitze)	97,3 % (alle)		

Mechanisch:

Abmessungen (cm)	19,6 (B) x 18,1 (L) x 7,1 (T)		
Gewicht (kg)	1,4		
Leiterquerschnitte:			
Leistungsklemmen (maximales Anzugsmoment)	2,5-16 mm ² /Nr. 14 – 2 AWG 3,95 Nm		
Temperatursensor	0,25 – 1,0 mm ² /Nr. 24 – 16 AWG		
Gehäuse	IP20, Typ 1		

Akkuladung:

4-Stufen-Ladung:	Bulk, Absorption, Erhaltung, Ausgleich		
Temperaturkompensationskoeffizient:	-30 mV/12 Volt/°C		
Temperaturkompensierte Sollwerte:	Absorption, Erhaltung, Ausgleich, HVD und HVDR (Solar)		

Sollwerte Akkuladung (bei 25 °C):
[Spannungen mit (2) multiplizieren für 24-Volt-Systeme]

DIP-Schalter-einstellungen 4-5-6	Akkutyp	Absorptionsstufe (Volt)	Erhaltungsstufe (Volt)	Ausgleichsstufe (Volt)	Absorp. Zeit (Minuten)	Ausgleichszeit (Minuten)	Ausgleich Timeout (Minuten)	Ausgleich Intervall (Tage)	LVD (Volt)	LVR (Volt)
aus-aus-aus	1 – Verschlossen*	14,00	13,50		150				11,50	12,60
aus-aus-ein	2 – Verschlossen*	14,15	13,50	14,40	150	60	120	28	11,30	12,80
aus-ein-aus	3 – Verschlossen*	14,30	13,50	14,60	150	60	120	28	11,50	13,00
aus-ein-ein	4 – AGM/Flüssigkeit	14,40	13,50	15,10	180	120	180	28	11,70	13,20
ein-aus-aus	5 – Flüssigkeit	14,60	13,50	15,30	180	120	180	28	11,90	13,40
ein-aus-ein	6 – Flüssigkeit	14,70	13,50	15,40	180	180	240	28	12,10	13,60
ein-ein-aus	7 – L - 16	15,40	13,40	16,00	180	180	240	14	12,30	13,80
ein-ein-ein	8 – Benutzerdefiniert	Benutzerdefiniert	Benutzerdefiniert	Benutzerdefiniert	Benutzerdefiniert	Benutzerdefiniert	Benutzerdefiniert	Benutzerdefiniert	Benutzerdefiniert	Benutzerdefiniert

* Akkutyp „verschlossen“ enthält Gel und AGM-Akkus

Stromkompensation:

12-Volt-Systeme	-15 mV/A
24-Volt-Systeme	-30 mV/A
Kompensierte Sollwerte	LVD
kompensierte Schwellenwerte	3 A

Lade- und Solarsteuerung (Spannungen mit (2) multiplizieren für 24-Volt-Systeme):

Standardwerte (anpassbar)	
LVD	Siehe Tabelle oben
LVR	Siehe Tabelle oben
Instant LVD	10,0 V
HVD – Solar	Sollwert Stromstufe + 0,5 V (bei 25 °C)
	15,3 V
HVD – Last	13,8 V (bei 25 °C)
HVDR – Solar	14,5 V
HVDR – Last	10 Minuten
LVD-Warnung	10 Minuten
LVD-Übersteuerung	Unbegrenzt, außer V _{batt} < Instant LVD
Maximale Anzahl der LVD-Übersteuerungen (nicht individuell anpassbar)	

Lichtsteuerung (DIP 1 EIN):

Licht-Timer-Einstellung	Abends-Morgens (Standard)
Lichttest-Timer	5 Minuten

Daten & Kommunikation:

Datenschnittstelle (zukünftige Anwendung)	USB Micro-B
Datenaufzeichnung (zukünftige Anwendung)	maximal 30 Tage
Komm.protokoll	Seriell

Digitales Messgerät:

Auflösung	128 x 64
Sichtbarer Bereich	70 mm x 40 mm
Anzeigefarbe	Blau auf Weiß
Hintergrundbeleuchtung	LED
Betriebstemperatur	-20 °C bis +60 °C
Lagertemperatur	-30 °C bis +80 °C

Umgebungsbedingungen:

Maximale Betriebshöhe	2000 m
Betriebstemperatur	-40 °C bis +60 °C
Lagertemperatur	-40 °C bis +80 °C
Luftfeuchtigkeit	100 % nicht kondensierend
Tropenfestigkeit	Gleichmäßig beschichtete Leiterplatten; Anschlüsse nach Marinestandard

Schutzfunktionen

Hochfahren gegen aktive Fehler
Verpolung – Akku und Anlage
Solar-Kurzschluss
Solar-Hochspannungstrennung
Hohe Kühlkörpertemperatur – Stromabsenkung
Hohe Kühlkörpertemperatur – Lasttrennung
Last-Kurzschluss
Last-Überstrom
Kühlkörpertemperaturgrenze
RTS-Klemmen

8.0

ZERTIFIZIERUNGEN



IEC 62109-1
EN 62109-1

www.tuv.com
ID 0007000000



Registration, Evaluation and
Authorization of Chemicals



- Entspricht CSA-C22.2 Nr. 107.1
- IEC 62109-1
- Entspricht dem US National Electric Code
- Entspricht dem Canadian Electrical Code
- FCC Klasse-B-konform

EN-Richtlinien:

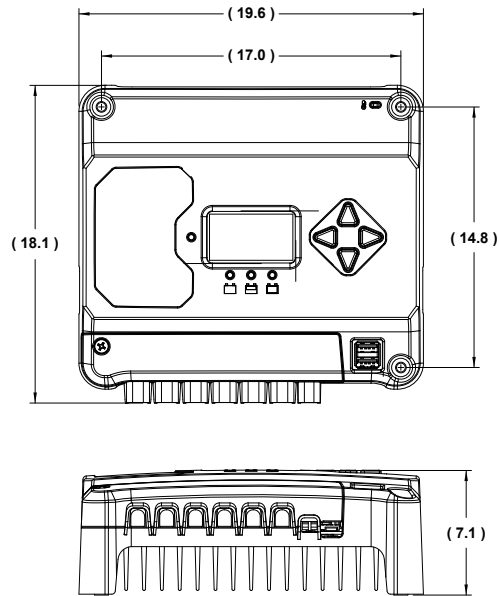
- Entspricht EN- und LVD-Normen für die CE-Kennzeichnung
- EN 62109-1
- Störaussendung 55014-1
- Störfestigkeit 55014-2

EcoBoost MPPT™ ist eine Marke der Morningstar Corporation

© 2018 Morningstar Corporation. Alle Rechte vorbehalten.

MS-002243-FL v2.3

DIMENSIONES (centímetros)



RESUMEN DE ESPECIFICACIONES

	EB-MPPT-20	EB-MPPT-30	EB-MPPT-40
Voltaje de batería nominal	12/24 V	12/24 V	12/24 V
Voltaje máximo del circuito abierto de energía fotovoltaica*	120 V	120 V	120 V
Potencia de entrada máxima nominal**	300 / 600 W	400 / 800 W	560 / 1120 W
Corriente máxima de carga de batería	20 A	30 A	40 A
Corriente de carga nominal	20 A	30 A	30 A

*El voltaje del panel nunca debe rebasar este límite.

**Estos niveles de potencia se refieren a la potencia máxima en vatios que el PS-MPPT puede procesar. Se pueden utilizar paneles de mayor potencia sin dañar el controlador.

1.0 INSTRUCCIONES IMPORTANTES DE SEGURIDAD

GUARDE ESTAS INSTRUCCIONES.

Este manual contiene instrucciones importantes sobre la seguridad, la instalación, la operación y el mantenimiento del controlador solar EcoBoost MPPT.

Los siguientes símbolos se utilizan en todo el manual para indicar condiciones potencialmente peligrosas o señalar instrucciones de seguridad importantes:



ADVERTENCIA: Indica una condición potencialmente peligrosa. Tenga mucho cuidado al realizar esta tarea.



PRECAUCIÓN: Indica un procedimiento crítico para el funcionamiento seguro y adecuado del controlador.



NOTA: Indica un procedimiento o función que es importante para el funcionamiento seguro y adecuado del controlador.

Información de seguridad

- Lea todas las instrucciones y precauciones en el manual antes de comenzar la instalación.
- No hay partes que puedan ser reparadas o reemplazadas por el usuario dentro del EcoBoost MPPT. No desmonte ni intente reparar el controlador.



ADVERTENCIA: Riesgo de descarga eléctrica.
NINGUNA TERMINAL DE ALIMENTACIÓN O ACCESORIO DE TERMINAL SE ENCUENTRA ELÉCTRICAMENTE AISLADO DE LA ENTRADA CC Y PUEDE ACTIVARSE CON VOLTAJE SOLAR PELIGROSO. BAJO CIERTAS CONDICIONES DE FALLA, LA BATERÍA SE PUEDE SOBRECARGAR. REVISE TODAS LAS TERMINALES Y CONEXIONES A TIERRA ANTES DE TOCAR.



ADVERTENCIA: EL PUERTO DE COMUNICACIONES SE CONSIDERA COMO DVC B. SE REQUIERE DE UN AISLADOR EXTERNO PARA CONECTARLO A UN CIRCUITO DVC A.

- Se requieren dispositivos externos de desconexión solar y de la batería.
- Desconecte todas las fuentes de energía conectadas al controlador antes de instalar o ajustar el EcoBoost MPPT.
- No hay fusibles ni dispositivos de desconexión dentro del EcoBoost MPPT. No intente repararlo.

Precauciones de seguridad de instalación

- Instale el EcoBoost MPPT en ambientes cerrados. Evite exponerlo a factores climáticos y no permita que entre agua al controlador.
- Instale el EcoBoost MPPT en una ubicación que impida un contacto casual. El disipador de calor del EcoBoost MPPT puede estar muy caliente durante su funcionamiento.
- Utilice herramientas aisladas al trabajar con las baterías.
- Evite utilizar joyería durante la instalación.
- El banco de baterías debe contener baterías del mismo tipo, marca y antigüedad.
- Certificado por IEC 62109 únicamente para su uso en sistemas de tierra negativa o flotante.
- No fume cerca del banco de baterías.
- Las conexiones eléctricas deben permanecer ajustadas para evitar el sobrecalentamiento debido a una conexión suelta.
- Utilice conductores e interruptores de circuito del tamaño adecuado.
- El controlador de carga se debe conectar solamente a circuitos CC. Estas conexiones CC se identifican con el siguiente símbolo:



Símbolo de corriente continua

El controlador EcoBoost MPPT debe ser instalado por un técnico calificado de acuerdo con la normativa eléctrica del país de instalación.

Se debe proporcionar un medio para desconectar todos los polos de la fuente de alimentación. Estos dispositivos de desconexión se deben incorporar en el cableado fijo.

Las terminales de potencia negativa EcoBoost MPPT son comunes y se deben aterrizar conforme a las instrucciones, códigos y regulaciones locales.

Se debe establecer una conexión a tierra permanente y confiable con la terminal de conexión a tierra del EcoBoost MPPT.

El conductor de conexión a tierra se debe asegurar contra cualquier desprendimiento accidental.

Seguridad de la batería



ADVERTENCIA: Una batería puede presentar riesgo de descarga eléctrica o quemaduras debido a una gran cantidad de corriente de cortocircuito, o bien a un incendio o explosión por gases ventilados. Tenga en cuenta las precauciones adecuadas.



ADVERTENCIA: Riesgo de explosión. Es necesario desechar adecuadamente las baterías. No tire las baterías al fuego. Consulte las regulaciones o códigos locales para obtener información sobre los requisitos.



PRECAUCIÓN: Al cambiar las baterías, use las cantidades, tamaños, tipos y capacidades especificados según la aplicación y el diseño del sistema.



PRECAUCIÓN: No abra ni mutile las baterías. El electrolito que se libera es dañino para la piel y puede ser tóxico.

- El servicio de las baterías lo debe realizar, o supervisar, personal con conocimientos sobre baterías tomando las medidas necesarias de precaución.
- Extreme precauciones al trabajar con baterías grandes de ácido-plomo. Utilice protección para los ojos y tenga a la mano agua fresca por si llegase a entrar en contacto con el ácido de batería.

- Retire cualquier reloj, anillo, joyería u objeto metálico antes de trabajar con las baterías.
- Utilice guantes y botas de goma.
- Utilice herramientas con mangos aislados y evite colocar herramientas u objetos metálicos sobre las baterías.
- Desconecte la fuente de carga antes de conectar o desconectar las terminales de la batería.
- Determine si se conectó la batería a tierra de manera inadvertida. Si es así, retire la fuente de contacto a tierra. Si entra en contacto con cualquier parte de una batería con conexión a tierra puede ocasionar una descarga eléctrica. Se puede disminuir la probabilidad de que ocurra una descarga desconectando la puesta a tierra de la batería durante la instalación y el mantenimiento (aplica a accesorios de batería remota y equipos que no cuenten con un circuito de alimentación con conexión a tierra).
- Lea cuidadosamente las instrucciones del fabricante de la batería antes de instalar, conectar o retirar las baterías del EcoBoost MPPT.
- Tenga mucho cuidado de no provocar un cortocircuito con los cables conectados a la batería.
- Tenga a alguien cerca para que le ayude en caso de un accidente.
- La batería puede generar gases explosivos durante su carga. Asegúrese de que haya suficiente ventilación para liberar los gases.
- Nunca fume en el área donde se encuentra la batería.
- Si el ácido de batería entra en contacto con la piel, lave con agua y jabón. Si el ácido entra en contacto con el ojo, enjuague con agua fresca y consiga atención médica.
- Asegúrese de que el nivel del electrolito de la batería sea el correcto antes de iniciar la carga. No intente cargar una batería congelada.
- Recicle la batería cuando la reemplace.

2.0 INFORMACIÓN GENERAL

2.1 Características

Las características del EcoBoost MPPT se muestran en la figura 2-1 a continuación. Se proporciona una explicación de cada característica.

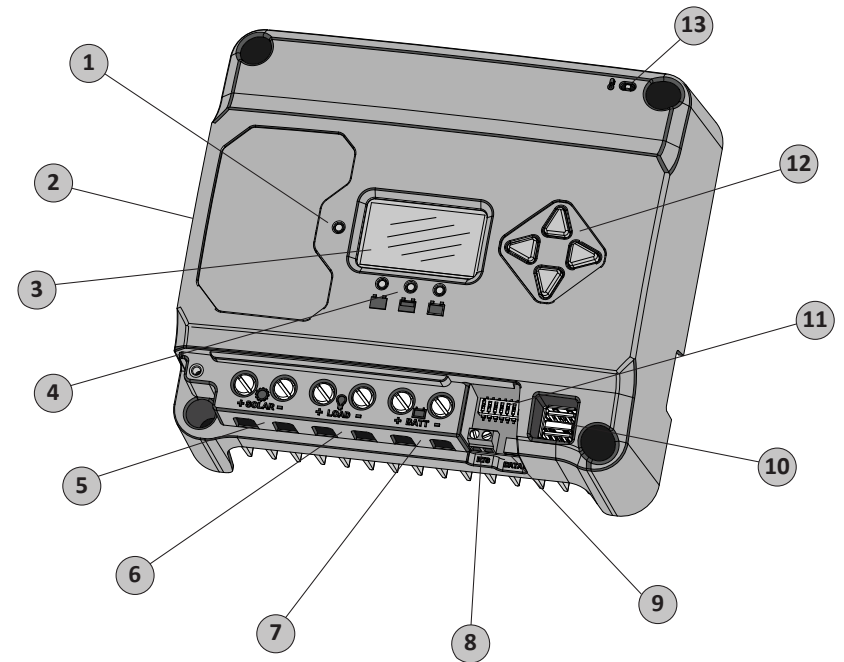


Figura 2-1. Características del EcoBoost MPPT

1 - LED de estado de carga / de error

Muestra los estados de la corriente de carga y la condición de error.

2 - Disipador de calor/tornillo de conexión a tierra (tornillo M4 para conexión a tierra del disipador de calor)

Disipador de calor de aluminio (debajo) para el controlador (el EcoBoost MPPT se enfría pasivamente al 100 % para una mayor confiabilidad)

3 - Pantalla de medición

Pantalla digital LCD de monitoreo y programación

4 - Indicadores LED de estado de la batería / de falla

Los tres indicadores LED de estado de carga (SOC) muestran el estado de la carga y las fallas del controlador

5 - Terminales solares positivas y negativas

Conexiones de potencia para terminaciones (+) y (-) del cable solar

6 - Terminales de carga positivas y negativas

Conexiones de potencia para terminaciones (+) y (-) del cable de carga

7 - Terminales de batería positivas y negativas

Conexiones de potencia para terminaciones (+) y (-) del cable de batería

8 - Terminales del sensor remoto de temperatura (RTS)

Puntos de conexión para un RTS de Morningstar para monitorear a distancia la temperatura de la batería

9 - Puerto de datos USB Micro-B (uso futuro)

Puerto USB Micro-B para (futura) transferencia de datos

10 - Puertos de carga USB

Tomas USB para cargar dispositivos electrónicos

11 - Interruptores DIP

Ocho (8) interruptores de ajuste para configurar la operación del EcoBoost MPPT

12 - Botones direccionales del medidor

Se usa para navegar a través del mapa de medición

13 - Sensor local de temperatura

Compensa la carga basándose en la temperatura ambiente (no se usa si el sensor remoto de temperatura está conectado)

2.2 Accesorios opcionales

Puede adquirir los siguientes accesorios por separado con su proveedor autorizado de Morningstar:

Sensor remoto de temperatura (modelo: RTS)

El RTS mide la temperatura de la batería para obtener una compensación por temperatura precisa; se recomienda cuando la temperatura ambiente de la batería difiera de la temperatura ambiente del controlador por más de 5 ° C. La longitud de cable estándar es de 10 m.



NOTA: Se recomienda ampliamente utilizar un sensor remoto de temperatura. La ubicación del controlador, el flujo de aire y el sistema eléctrico pueden afectar drásticamente la lectura del sensor de temperatura local. Un RTS proporcionará un desempeño óptimo de carga.

Dispositivo de protección contra fallas de conexión a tierra (GFPD-150V)

Como medida de seguridad, el GFPD-150V detecta fallas en la conexión a tierra de la fuente de energía e interrumpe la corriente.

3.0 INSTALACIÓN

3.1 Notas generales de instalación

- Lea detenidamente la sección de instalación antes de comenzar con la misma.
- Tenga mucho cuidado al trabajar con baterías. Utilice protección para los ojos. Tenga agua limpia disponible para lavar y limpiar cualquier contacto con el ácido de la batería.
- Utilice herramientas aisladas y evite colocar objetos metálicos cerca de las baterías.



ADVERTENCIA: Daño al equipo o riesgo de explosión

Nunca instale el EcoBoost MPPT en un lugar cerrado con baterías ventiladas/inundadas. Los gases de las baterías son inflamables y, además, corroen y destruyen los circuitos del EcoBoost MPPT.



PRECAUCIÓN: Daños al equipo

Al instalar el EcoBoost MPPT en un lugar cerrado, asegúrese de contar con la ventilación necesaria. Realizar la instalación en un lugar sellado ocasionará el sobrecalentamiento y la disminución de la vida útil del producto.

- No lo instale en lugares donde el agua pueda entrar al controlador.
- Las conexiones eléctricas sueltas y/o los cables corroídos pueden resultar en conexiones resistivas que derritan el aislamiento del cable, quemen los materiales circundantes o incluso provoquen incendios. Asegúrese de que las conexiones estén apretadas y utilice abrazaderas de cable para fijar los cables y evitar que se mezan en aplicaciones móviles.
- Los perfiles de carga preestablecidos están diseñados generalmente para baterías de plomo-ácido. Se pueden utilizar ajustes personalizados para diversos requisitos de carga (vea las secciones 3.2 y 4.7 para obtener mayores detalles). Tenga en cuenta que algunos tipos de baterías pueden no ser compatibles.
- Se puede conectar la batería del EcoBoost MPPT a una sola batería o a un banco de baterías. Las siguientes

instrucciones hacen referencia a una sola batería, pero queda implícito que la conexión de batería puede llevarse a cabo ya sea con una sola o con un grupo de ellas contenidas en un banco de baterías.

- El EcoBoost MPPT utiliza sujetadores autorroscantes, un disipador de calor de aluminio anodizado y revestimiento conformado para protegerlo de condiciones adversas. Sin embargo, para obtener una vida útil aceptable, se deben evitar las temperaturas extremas y los ambientes marinos.
- El EcoBoost MPPT evita la fuga de corriente inversa por la noche, de modo que no es necesario un diodo de bloqueo en el sistema.
- El EcoBoost MPPT está diseñado para regular SOLAMENTE la potencia solar (fotovoltaica). La conexión a cualquier otro tipo de fuente de energía, como una turbina eólica o un generador, pueden anular la garantía. Sin embargo, otras fuentes de energía se pueden conectar directamente a la batería.
- El calibre máximo de cable para las terminales de potencia es de AWG #6/16 mm² (sólido/multifilamento) o de AWG #8/10 mm² (hilo fino). Utilice un destornillador plano aislado y apriete firmemente hasta 3.95 Nm.
- Los alambres trenzados que se conecten a las terminales del EcoBoost MPPT deben primero prepararse, por ejemplo, con abrazaderas de cobre, para evitar que se suelte un conductor de la conexión atornillable y se produzca un contacto con la caja metálica.



ADVERTENCIA: El sistema requiere de fusibles o breakers de corriente continua para energía solar y baterías. Estos dispositivos de protección son externos al controlador EcoBoost MPPT y deben mantenerse a un máximo de 25 A para el EB-20/M, 35 A para el EB-30/M, y 50 A para el EB-40/M.



ADVERTENCIA: Los breakers y fusibles pueden requerir capacidades más bajas que las mencionadas anteriormente, a fin de no rebasar ninguna ampacidad específica del cable.



ADVERTENCIA: Las capacidades mínimas de interrupción del dispositivo de protección de sobrecorriente deben ser de 2000 A para sistemas de 12 V, y de 4000 A para sistemas de 24 V.

3.2 Configuración

El bloque de interruptores DIP que se muestra a continuación en la figura 3.1 se usa para ajustar los parámetros de operación para el EcoBoost MPPT.

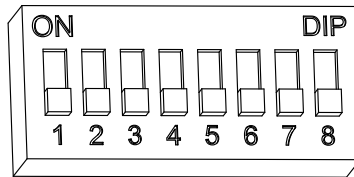


Figura 3.1. Bloque de interruptores DIP para ajustar los parámetros de carga

Interruptor 1: Carga / Iluminación

Modo	Interruptor 1
Normal	APAGADO
Iluminación	ENCENDIDO

Con el bloque DIP 1 encendido, el EcoBoost MPPT seguirá una programación de iluminación del atardecer al amanecer.

Interruptores 2 y 3: Voltaje del sistema

Se encuentran disponibles tres (3) configuraciones de voltaje de sistema, tal como se indica en la siguiente tabla:

Voltaje del sistema	Interruptor 2	Interruptor 3
Auto	APAGADO	APAGADO
12	APAGADO	ENCENDIDO
24	ENCENDIDO	APAGADO

NOTA: Antes de conectar la batería, mida el voltaje del circuito abierto. Debe estar por encima de los 10 voltios para arrancar el controlador. Si los interruptores de ajuste de voltaje del sistema están ajustados en detección automática, un voltaje de batería por encima de los 15.5 V será detectado como una batería de 24 V nominal y la unidad se cargará correspondientemente. La selección automática de 12/24 V solo se hace en el arranque, y el voltaje detectado del sistema nunca cambiará durante la operación.

Por lo general, se conoce el voltaje específico del sistema, y es mejor ajustar los DIP 2 y 3 según corresponda; la configuración de detección automática solo se debe utilizar en circunstancias extraordinarias.

Interruptores 4, 5 y 6: Selección del tipo de batería

Las opciones preestablecidas de carga de batería del EcoBoost MPPT se muestran en la tabla 3-1 a continuación. Todos los ajustes de voltaje listados son para baterías de 12 voltios nominales.

Multiplique los ajustes de voltaje por dos (2) para los sistemas de 24 voltios.



NOTA: Estos ajustes son directrices generales para utilizarse a discreción del operador. El EcoBoost MPPT se puede programar para satisfacer una amplia variedad de parámetros de carga. Consulte al fabricante de la batería para obtener información sobre sus ajustes óptimos de carga.

Ajuste de interruptores DIP 4-5-6	Tipo de batería	Etapas de absorción (voltios)	Etapas de mantenimiento (voltios)	Etapas de equalización (voltios)	Tiempo de absorción (min)	Tiempo de equalización (min)	Tiempo de espera de equalización (min)	Intervalo de equalización (días)	LVD (voltios)	LVR (voltios)
apagado - apagado - apagado	1 - Sellado*	14.00	13.50		150				11.50	12.60
apagado - apagado - encendido	2 - Sellado*	14.15	13.50	14.40	150	60	120	28	11.30	12.80
apagado - encendido - apagado	3 - Sellado*	14.30	13.50	14.60	150	60	120	28	11.50	13.00
apagado - encendido - encendido	4 - AGM/Inundado	14.40	13.50	15.10	180	120	180	28	11.70	13.20
encendido - apagado - apagado	5 - Inundado	14.60	13.50	15.30	180	120	180	28	11.90	13.40
encendido - apagado - encendido	6 - Inundado	14.70	13.50	15.40	180	180	240	28	12.10	13.60
encendido - encendido - encendido	7 - L-16	15.40	13.40	16.00	180	180	240	14	12.30	13.80
encendido - encendido - apagado	8 - Personalizado	Personalizado	Personalizado	Personalizado	Personalizado	Personalizado	Personalizado	Personalizado	Personalizado	Personalizado

* El tipo de batería "sellado" incluye baterías de gel y AGM

Tabla 3.1. Ajustes de carga de batería para cada tipo de batería seleccionable

Interruptor 7: Ecuación de la batería

Modo	Interruptor 7
Ecuación manual	APAGADO
Ecuación automática	ENCENDIDO

Interruptor 8: Reservado para uso futuro

3.3 Montaje

Inspeccione el controlador para comprobar si presenta daños por envío. Instale el EcoBoost MPPT en una superficie vertical (se incluyen 4 tornillos autorroscantes de #8). Apriete los tornillos de montaje con cuidado de no romper la caja de plástico. No instale directamente sobre una superficie fácilmente inflamable, ya que el disipador de calor puede calentarse bajo ciertas condiciones de operación.



NOTA: El disipador térmico debe estar en posición vertical (aletas hacia arriba y hacia abajo).

Para obtener un flujo de aire adecuado, deje al menos 15 cm de espacio por encima y por debajo del controlador y 5 cm a los lados. Vea la figura 3-2 que se encuentra a continuación. Instálelo en un área protegida de la lluvia y del sol directo.

Si el controlador está instalado en un lugar cerrado, se recomienda contar con algo de ventilación. No lo coloque en un lugar cerrado en el cual los gases de la batería puedan acumularse.

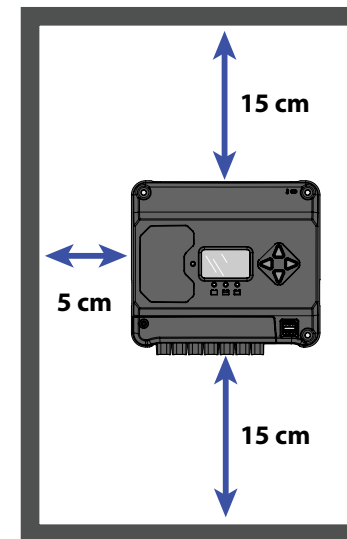


Figura 3-2. Espacios adecuados para una refrigeración pasiva

3.4 Cableado

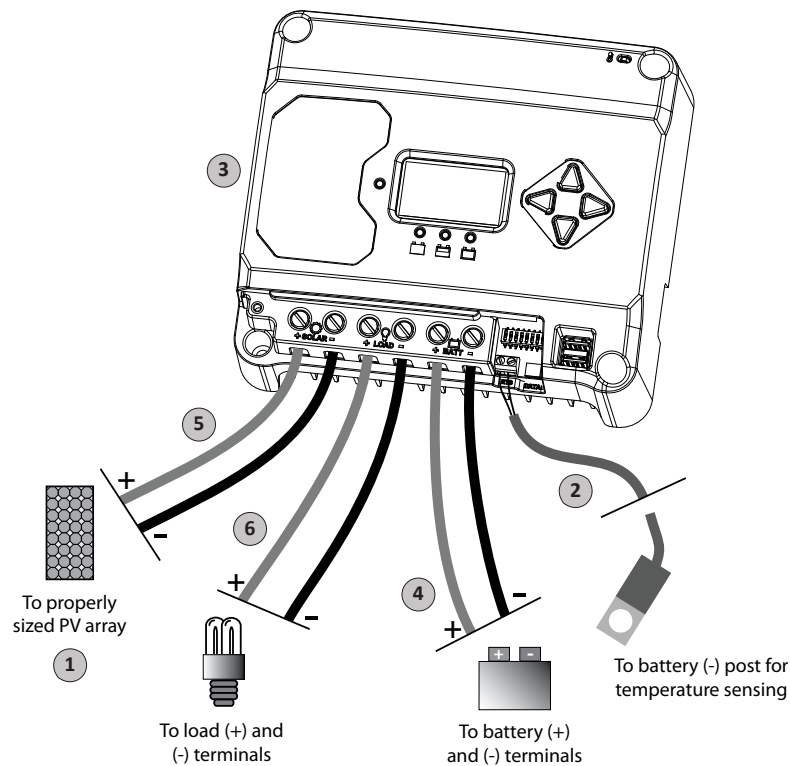


Figura 3-3. Cableado del EcoBoost MPPT

CONSULTE LA FIGURA 3.3 AL SEGUIR LAS INSTRUCCIONES DE CABLEADO QUE SE ENCUENTRAN A CONTINUACIÓN.

PASO 1: Revise las limitaciones del controlador

Verifique que el mayor voltaje de circuito abierto del panel solar compensado por temperatura (V_{oc}) y la corriente de carga no excedan las capacidades de la versión del EcoBoost MPPT que se está instalando.

Se pueden instalar múltiples controladores en paralelo en el mismo banco de baterías para lograr una mayor corriente total de carga. En este tipo de sistema, cada EcoBoost MPPT debe contar con su propio panel solar. Las terminales de carga de múltiples controladores solo pueden cablearse juntas si el consumo de carga total no rebasa la corriente de la placa de características del controlador de MENOR valor nominal.

PASO 2: Sensor remoto de temperatura



ADVERTENCIA: Riesgo de incendio.

Si no está conectado un sensor remoto de temperatura (RTS), use el EcoBoost MPPT dentro de un rango de 3 m de las baterías. Se utilizará la compensación interna por temperatura si el RTS no está conectado. El uso del RTS se recomienda enfáticamente.

Todos los ajustes de carga se basan en 25°C (77°F). Si la temperatura de la batería varía en 5°C, el ajuste de la carga cambiará en 0.15 voltios para una batería de 12 V. Esto es un cambio sustancial en la carga de la batería y se recomienda el uso del sensor remoto de temperatura (RTS) opcional para ajustar la carga a la temperatura real de la batería. El RTS puede agregarse en cualquier momento después de que el sistema haya sido instalado.

Conecte el RTS a la terminal de 2 posiciones situada entre la orejeta de la batería (-) y la de la terminal de conexión a tierra del chasis (ver la figura).

El RTS está equipado con un cable de 10 m de calibre 22 AWG (0.34 mm²). No hay polaridad, así que cualquier cable (+ o -) se puede conectar a cualquiera de las dos terminales atornillables. Se puede pasar el cable del RTS a través del conducto junto con los cables de alimentación. Apriete los tornillos del conector a un torque de 0.56 Nm. Se proporcionan las instrucciones de instalación correspondientes dentro de la bolsa del sensor remoto de temperatura.

**ADVERTENCIA: Daños al equipo**

Nunca coloque el sensor de temperatura dentro de una celda de batería. Tanto el RTS como la batería se dañarán.



PRECAUCIÓN: El EcoBoost MPPT utilizará el sensor local de temperatura para la compensación si no se usa el RTS.



NOTA: El cable del RTS se puede acortar si no se necesita en toda su extensión. Asegúrese de reinstalar el cilindro de ferrita en el extremo del RTS si se quita un segmento del cable. Este filtro garantiza el cumplimiento con los estándares de emisiones electromagnéticas.

PASO 3: Conexión a tierra e interrupción de falla de conexión a tierra**ADVERTENCIA:**

Esta unidad no está equipada con un dispositivo de protección de falla de conexión a tierra. Este controlador de carga debe ser utilizado con un dispositivo externo de protección de falla de conexión a tierra, tal como lo requieran los reglamentos locales.

**NOTA:**

Dependiendo del país de instalación, los conductores que se identifiquen por el color verde o una combinación de verde y amarillo deberán utilizarse solo para los conductores de conexión a tierra.

Utilice el tornillo M4 en la parte izquierda del disipador de calor para conectar un cable de conexión a tierra (consulte la pág. 18 para ver los calibres de los cables de conexión a tierra) al tornillo/disipador de calor y conecte el cable a la conexión a tierra. También se debe conectar cualquier metal no conductor a la conexión a tierra.

**ADVERTENCIA: Riesgo de incendio**

NO conecte el negativo eléctrico del sistema de CC al disipador de calor/la conexión a tierra del EcoBoost MPPT. Si los reglamentos locales requieren del uso de un dispositivo de protección de falla de conexión a tierra, el negativo del sistema debe engancharse a través del mismo a la conexión a tierra desde un solo punto.

De acuerdo con IEC 62109, los tamaños mínimos para cables de conexión a tierra de cobre para el equipo son:

- EcoBoost MPPT-20 10 mm²
- EcoBoost MPPT-30 10 mm²
- EcoBoost MPPT-40 10 mm²

O BIEN, deben contar con un área transversal igual o mayor a la de los cables fotovoltaicos.

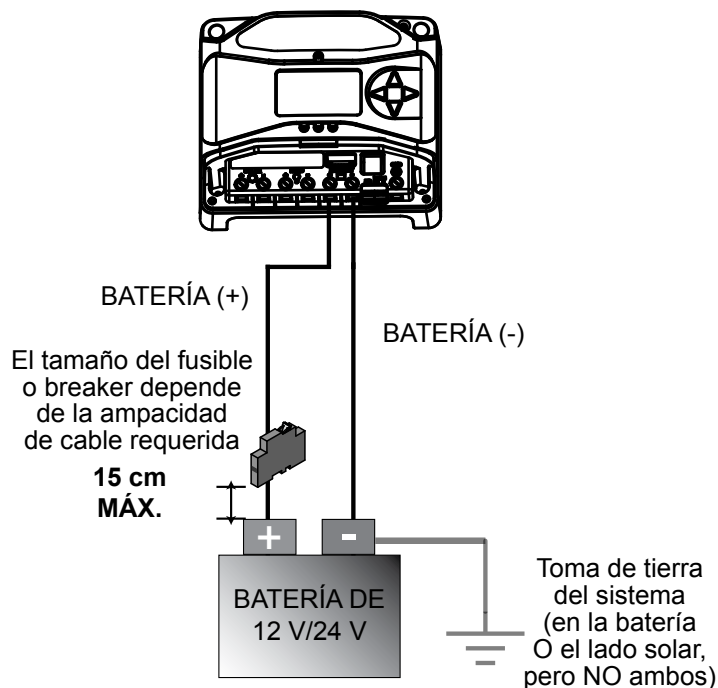
Por seguridad, y para obtener una protección de iluminación efectiva, se recomienda, y puede ser requerido por los códigos, que el conductor negativo del sistema de carga cuente con una conexión a tierra adecuada. No conecte el conductor negativo a la terminal de conexión a tierra del equipo del disipador de calor.

PASO 4: Conexiones de la batería - vea el diagrama que se encuentra continuación

Asegúrese de que los interruptores DIP 2 y 3 estén ajustados para 12 o 24 V, tal como se describe en la sección 3.2

NOTA: Antes de conectar la batería, mida el voltaje del circuito abierto. Debe estar por encima de los 10 voltios para arrancar el controlador. Si los interruptores de ajuste de voltaje del sistema están ajustados en detección automática, un voltaje de batería por encima de los 15.5 V será detectado como una batería de 24 V nominal, y la unidad se cargará correspondientemente. La selección automática de 12/24 V solo se hace en el arranque, y el voltaje detectado del sistema nunca cambiará durante la operación.

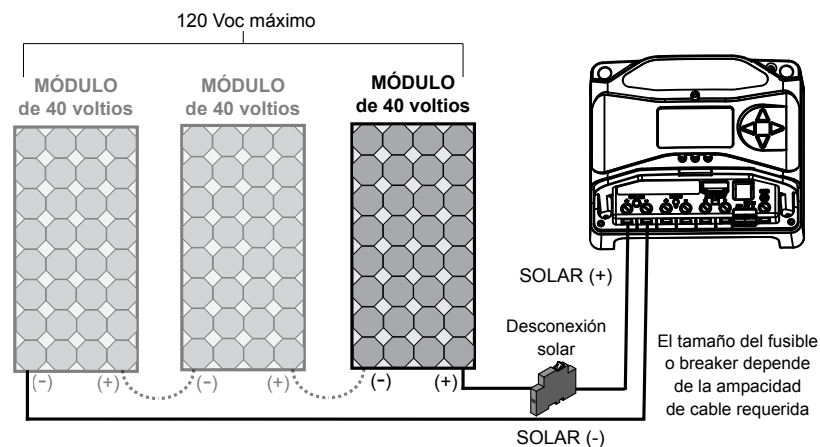
Con la desconexión de la batería abierta, conecte los cables (+) y (-) de la batería desde esta última al controlador. **NO CIERRE EL BREAKER EN ESTE MOMENTO.**



PASO 5: Conexiones solares - vea el diagrama que se encuentra a continuación

⚠️ ADVERTENCIA: Peligro de descarga eléctrica
 El panel solar fotovoltaico puede producir voltajes de circuito abierto de más de 120 Vdc cuando está a la luz del sol. Verifique que la desconexión o breaker de entrada solar se ha abierto (desconectado) antes de instalar los cables del sistema.

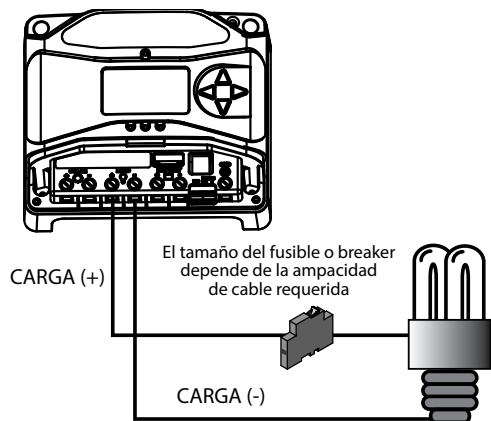
Con la desconexión solar abierta, conecte los cables del panel solar (fotovoltaico) a las terminales solares del EcoBoost MPPT. Tenga cuidado, ya que el panel solar producirá corriente cada vez que esté expuesto a la luz del sol. Una desconexión solar es una manera conveniente de interrumpir la conexión fotovoltaica cuando sea necesario. **NO CIERRE EL BREAKER EN ESTE MOMENTO.**



PASO 6: Conexiones de carga - vea el diagrama que se encuentra a continuación

⚠️ PRECAUCIÓN: Daños al equipo
 No conecte ningún inversor de corriente alterna a las terminales de carga del EcoBoost MPPT. Esto puede ocasionar daños al circuito de control de carga. Se debe conectar un inversor a la batería. Si existe la posibilidad de que cualquier otra carga pueda exceder el voltaje máximo o límite actual del EcoBoost MPPT, el dispositivo se deberá conectar directamente a la batería o al banco de baterías. Si es necesario un control de carga, póngase en contacto con el soporte técnico de Morningstar para obtener asistencia.

Apague las cargas y conecte los cables de carga a las terminales de carga. **NO CIERRE EL BREAKER EN ESTE MOMENTO.**



PASO 7: Encendido y verificación de la operación del sistema



NOTA: Observe cuidadosamente los interruptores LED después de cada conexión. Los LED indicarán la polaridad adecuada y una buena conexión.

Cierre el breaker de la batería para encender el controlador. Observe el estado de carga, y luego los tres LEDs de estado de carga (SOC) de la batería parpadearán en secuencia verde-amarillo-rojo (V-A-R), lo que confirma la correcta puesta en marcha. Si no se encienden, revise la polaridad (+/-) y el voltaje de la batería.

Luego se iluminará el LED verde, amarillo o rojo, dependiendo del estado de carga de la batería (SOC). Confirme que uno de estos LEDs está encendido antes de continuar con el siguiente paso.

Cierre la desconexión solar. Si la entrada solar está conectada mientras está expuesto a la luz del sol, el indicador LED de carga se iluminará.

Confirme la conexión adecuada observando el LED de carga.

Cierre la desconexión de carga y encienda la carga para confirmar una conexión adecuada.

Si la carga no se encendió, esto podría deberse a varias razones:

- el EcoBoost MPPT está en desconexión por bajo voltaje (LVD) (indicador LED rojo encendido)
- hay un cortocircuito en la carga (LEDs parpadeando rojo/verde – amarillo)
- hay una condición de sobrecarga (LEDs parpadeando rojo/verde – amarillo)
- la carga no está conectada, no está funcionando o está apagada

Después de que todas las conexiones se hayan completado, observe los LED para asegurarse de que el controlador está funcionando normalmente para las condiciones del sistema. Si se utiliza el medidor digital opcional, observe que la pantalla se desplace con los valores de voltaje y corriente adecuados. Además, se puede realizar una auto-comprobación con los medidores digitales.

PASO 8: Para apagar



ADVERTENCIA: Riesgo de daño

SOLAMENTE desconecte la batería desde el EcoBoost MPPT DESPUÉS de que la entrada solar se haya desconectado. Se puede dañar el controlador si la batería se retira mientras el EcoBoost MPPT se está cargando.

- Para evitar daños, se debe realizar el apagado en el orden inverso al del encendido.

4.1 Tecnología TrakStar™ MPPT

El EcoBoost MPPT utiliza tecnología de seguimiento del punto de máxima potencia (MPPT) TrakStar de Morningstar para extraer la máxima potencia del módulo solar o módulos solares. El algoritmo de seguimiento es completamente automático y no requiere ajuste por parte del usuario. La tecnología TrakStar hará un seguimiento del voltaje del punto de máxima potencia (V_{mp}) del panel según vaya variando de acuerdo con las condiciones climáticas, asegurando que se extraiga la máxima potencia del panel a lo largo del día.

Ramales de alto voltaje y módulos compatibles con la red eléctrica

Otro beneficio de la tecnología TrakStar MPPT es la capacidad de cargar baterías de 12 o 24 voltios con paneles solares de voltajes nominales mayores. Un banco de baterías de 12 voltios se puede conectar con un panel solar de 12, 24, 36 o 48 V nominal sin conexión a la red eléctrica. Ciertos módulos solares compatibles con la red eléctrica también se pueden utilizar siempre y cuando el voltaje de circuito abierto (V_{oc}) del panel solar no rebase el voltaje de entrada máximo de 120 V del EcoBoost MPPT a la temperatura del módulo más baja (en el peor de los casos). La documentación del módulo solar debe proporcionar el V_{oc} versus los datos de temperatura. Un mayor voltaje de entrada solar redundará en menor corriente de entrada solar para una potencia de entrada dada. Los ramales de entrada solar de alto voltaje permiten el uso de cableado solar de menor calibre. Esto es especialmente útil para sistemas con tendidos largos de cableado entre el panel solar y el EcoBoost MPPT.

4.2 Carga de la batería

Carga en 4 etapas

El EcoBoost MPPT tiene un algoritmo de carga de batería de 4 etapas para una carga rápida, eficiente y segura de la batería. La figura 4-1 muestra la secuencia de las etapas.

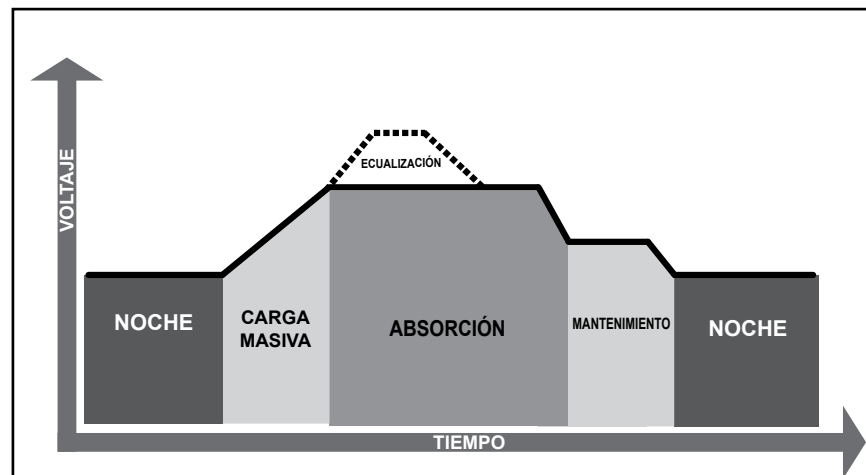


Figura 4-1. Algoritmo de carga del EcoBoost MPPT



ADVERTENCIA: Riesgo de explosión

Ecualizar baterías ventiladas produce gases explosivos. El banco de baterías debe estar adecuadamente ventilado.



PRECAUCIÓN: Daños al equipo

La ecualización incrementa el voltaje de la batería a niveles que pueden dañar las cargas de corriente continua sensibles. Verifique que todas las cargas del sistema estén diseñadas para el voltaje de ecualización compensado por temperatura antes de comenzar una carga de ecualización.




PRECAUCIÓN: Daños al equipo

La sobrecarga excesiva y la gasificación demasiado vigorosa pueden dañar las placas de la batería y ocasionar el desprendimiento del material activo de las placas. Una ecualización demasiado alta o por demasiado tiempo puede ser perjudicial. Revise los requisitos para la batería en particular que se utilice en su sistema.

Ajustes de carga de la batería

Las opciones preestablecidas de carga de la batería EcoBoost MPPT se muestran en las tablas 4-1 y 4-2 a continuación. Todos los ajustes de voltaje listados son para baterías de 12 voltios nominales. Multiplique los ajustes de voltaje por dos (2) para las baterías de 24 voltios.

 **NOTA:** Estos ajustes son directrices generales para utilizarse a discreción del operador. El EcoBoost MPPT se puede programar para satisfacer una amplia variedad de parámetros de carga. Consulte al fabricante de la batería para obtener información sobre sus ajustes óptimos de carga.

Ajuste de interruptores DIP 4-5-6	Tipo de batería	Etapas de absorción (voltios)	Etapas de mantenimiento (voltios)	Etapas de equalización (voltios)	Tiempo de absorción (min)	Tiempo de equalización (min)	Tiempo de espera de equalización (min)	Intervalo de equalización (días)	LVD (voltios)	LVR (voltios)
apagado - apagado - apagado	1 - Sellado*	14.00	13.50		150				11.50	12.60
apagado - apagado - encendido	2 - Sellado*	14.15	13.50	14.40	150	60	120	28	11.30	12.80
apagado - encendido - apagado	3 - Sellado*	14.30	13.50	14.60	150	60	120	28	11.50	13.00
apagado - encendido - encendido	4 - AGM/Inundado	14.40	13.50	15.10	180	120	180	28	11.70	13.20
encendido - apagado - apagado	5 - Inundado	14.60	13.50	15.30	180	120	180	28	11.90	13.40
encendido - apagado - encendido	6 - Inundado	14.70	13.50	15.40	180	180	240	28	12.10	13.60
encendido - encendido - apagado	7 - L-16	15.40	13.40	16.00	180	180	240	14	12.30	13.80
encendido - encendido - encendido	8 - Personalizado	Personalizado	Personalizado	Personalizado	Personalizado	Personalizado	Personalizado	Personalizado	Personalizado	Personalizado

* El tipo de batería "sellado" incluye baterías de gel y AGM

Tabla 4-1. Ajustes de carga de batería para cada tipo de batería seleccionable

Ajustes compartidos	Valor	Unidades
Voltaje de extensión de absorción	12.50	Voltios
Tiempo de extensión de absorción	Tiempo de absorción + 30	minutos
Tiempo de espera para salida de mantenimiento	30	minutos
Voltaje de cancelación de mantenimiento	12.30	Voltios
Tiempo de espera de equalización	Tiempo de equalización + 60	minutos
Coefficiente de compensación por temperatura	- 30	milivoltios / °C / 12 V

Tabla 4-2. Ajustes de batería que comparten todos los tipos de baterías

4.3 Información de control de carga

El propósito principal de la función de control de carga es desconectar las cargas del sistema cuando la batería se haya descargado a un estado bajo de carga y reconectar las cargas del sistema cuando la batería vuelva a contar con carga suficiente. Las cargas del sistema pueden ser luces, aparatos de corriente continua y otros dispositivos electrónicos. El consumo total de corriente de todas las cargas no debe exceder la capacidad de carga máxima de 20 A (EB-20/M) o 30 A (EB-30/M o EB-40/M).



PRECAUCIÓN: Daños al equipo

No conecte ningún inversor de corriente alterna a las terminales de carga del EcoBoost MPPT. Esto puede ocasionar daños al circuito de control de carga. Se debe conectar un inversor a la batería. Si existe la posibilidad de que cualquier otra carga pueda exceder el voltaje máximo o límite actual del EcoBoost MPPT, el dispositivo se deberá conectar directamente a la batería o al banco de baterías. Si es necesario un control de carga, póngase en contacto con el soporte técnico de Morningstar para obtener asistencia.

Notas generales sobre el control de carga:

No conecte múltiples salidas de carga del EcoBoost MPPT en paralelo para alimentar cargas de corriente continua con un consumo de corriente mayor a 20 o 30 A, dependiendo del modelo EcoBoost MPPT que se esté usando. No se puede asegurar el reparto equitativo de corriente y es probable que ocurra una condición de sobrecarga en uno o más controladores.



PRECAUCIÓN: Daños al equipo

Tenga cuidado al conectar cargas con polaridad específica a un circuito de carga activo. Una conexión de polaridad inversa puede dañar la carga. Siempre repase las conexiones de carga antes de aplicar energía.

4.4 Indicaciones LED

CLAVE:

V = verde	V - A - R = parpadeando en secuencia
A = amarillo	V / A = parpadeando juntos
R = rojo	V / A - R = V y A parpadeando juntos, alternando con un destello R

4.4.1 Encendido

Encendido normal: El LED de estado parpadea en **V**, después los indicadores LED de SOC parpadean en **V - A - R** y, posteriormente los indicadores LED de SOC indican el estado de carga de la batería con un solo LED de estado de la batería.

Carga de arranque fallida: El LED de estado parpadea en **V**, luego los indicadores LED de SOC parpadean en **V - A** y se detienen en **A** continuo.

4.4.2 LED de estado

El LED de estado indica el estado de carga y cualquier condición de error de entrada solar. El LED de estado está encendido al cargar durante el día y se apaga en la noche. El LED de estado parpadeará en rojo siempre que exista una condición de error. La tabla 4.4 lista las indicaciones del LED de estado.

Color	Indicación	Estado de operación
Ninguno	Apagado (con latido ¹)	Noche
Verde	Continuo (con latido ²)	Cargando
Rojo	Parpadeando	Error
Rojo	Continuo (con latido ²)	Error crítico

¹ en la indicación con latido, el LED de estado se enciende y parpadea un instante cada 5 segundos

² en la indicación con latido, el LED de estado se apaga y parpadea un instante cada 5 segundos

Tabla 4-3. Definiciones del LED de estado

NOTAS:

- 1) **R** (rojo) intermitente es generalmente una falla/error atribuible al usuario
- 2) **R** (rojo) en un LED de estado de carga ENCENDIDO con parpadeo de latido APAGÁNDOSE cada 5 segundos es una falla crítica que generalmente requiere servicio. Vea, "**LED continuo de estado de carga con fallas de SOC (R-A-V) de auto-comprobación**", en la sección 5.1.

4.4.3 LEDs de estado de carga

Las indicaciones de SOC de la batería se muestran en la tabla 4-4 a continuación:

Condición	Indicación
Absorción	V parpadea cada segundo
Mantenimiento	V parpadea cada 2 segundos
Ecuilibración	V parpadea 2 veces por segundo
SOC > 13.5 V	V continuo
13.5 V > SOC > 13.0 V	V/A continuo
13.0 V > SOC > 12.5 V	A continuo
SOC < 12.5 V	A/R continuo
Advertencia de desconexión por bajo voltaje	R parpadea cada segundo
Desconexión por bajo voltaje	R continuo

Tabla 4-4. Indicaciones LED de SOC de la batería

4.5 Alarmas

Sobrecarga solar

Sin indicación LED. El EcoBoost MPPT limitará la corriente de la batería al valor máximo de 20, 30 o 40 A. Un panel solar de gran tamaño no funcionará a potencia pico. El panel solar debe ser inferior al valor de la potencia de entrada máxima nominal del EcoBoost MPPT para un rendimiento óptimo. Vea la sección 7.0 - Especificaciones técnicas para obtener mayor información.

Límite de corriente a alta temperatura

El EcoBoost MPPT limitará la corriente de entrada solar si la temperatura del disipador de calor rebasa los límites de seguridad. La corriente de carga solar se disminuirá (a 0 amperios, si fuera necesario) para reducir la temperatura del disipador de calor. El EcoBoost MPPT está diseñado para funcionar con la corriente nominal completa a la máxima temperatura ambiente. Esta alarma indica que hay un flujo de aire insuficiente y que la temperatura del disipador de calor se acerca a límites inseguros. Si el controlador reporta con frecuencia esta condición en la alarma, se debe tomar alguna acción correctiva para proporcionar un mejor flujo de aire o reubicar el controlador a un lugar más fresco.

Límite de corriente por alto voltaje de entrada

El EcoBoost MPPT limitará la corriente de entrada solar a medida que el Voc del panel solar se aproxime al valor máximo de voltaje de entrada. El Voc del panel nunca debe rebasar el voltaje máximo de entrada de 120 voltios. Consulte la gráfica de reducción del voltaje del panel en el Apéndice.

Límite de corriente

La potencia del panel excede el valor del controlador. Esta alarma indica que el EcoBoost MPPT está limitando la corriente de la batería al valor máximo de corriente.

RTS (sensor remoto de temperatura) abierto

El sensor remoto de temperatura no está conectado al controlador. Se recomienda el uso del RTS para obtener una carga adecuada de la batería.

Sensor de temperatura del disipador de calor abierto / en cortocircuito

El sensor de temperatura del disipador de calor está dañado. Envíe el controlador a un distribuidor Morningstar autorizado para darle servicio.

Sin calibrar

El controlador no estaba calibrado de fábrica. Envíe el controlador a un distribuidor Morningstar autorizado para darle servicio.

4.6 Ajustes personalizados

4.6.1 Establecer puntos de ajuste con la pantalla de medición

El EcoBoost MPPT está disponible en versiones con medidor y sin medidor. El modelo con medidor permite:

- Programación personalizada, incluyendo programas de iluminación, directamente desde la unidad.
- Amplio ajuste e información sobre la configuración, tal como se muestra parcialmente en la figura 4-2 que se encuentra a continuación.

Modelos:
EcoBoost-20M
EcoBoost-30M
EcoBoost-40M

Pantallas de visualización y programación

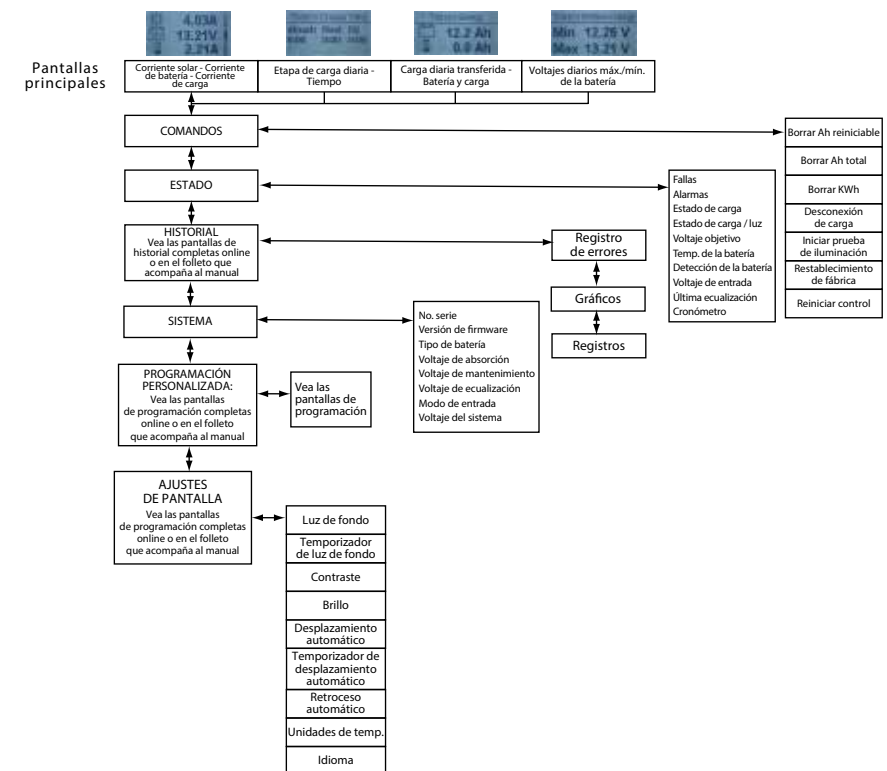


Figura 4-2. Mapa de medición simplificado.

Para los modelos con medidor, vea el folleto del mapa de medición incluido, también disponible en los documentos de apoyo del EcoBoost MPPT en:

www.morningstarcorp.com

4.6.2 Operación de la pantalla de medición

4.6.2.1 Uso y operación de la tecla direccional / Navegación por el mapa de medición

El mapa de medición del EcoBoost MPPT se compone de dos ejes principales: Las pantallas horizontales de nivel superior para el monitoreo diario y las pantallas verticales apiladas del Menú Principal. Las cuatro teclas de control direccional triangulares e iluminadas permiten desplazarse hasta cualquier punto deseado en el mapa de medición. Una tecla iluminada indica una dirección válida en el mapa. La ubicación actual se indica en la pantalla con un encabezado de columna y un descriptor en negritas.

4.6.2.2 Ajuste de la pantalla de medición

Las opciones de ajuste de la pantalla, como se muestra en la figura 4-2, se pueden seleccionar mediante las teclas de dirección para localizar y editar un ajuste o variable deseados.

4.7 Registro de datos (uso futuro)

El EcoBoost MPPT registra treinta días de datos básicos del sistema:

- Voltaje diario mínimo de batería
- Voltaje diario máximo de batería
- Eventos diarios (Ecuación activada, Mantenimiento ingresado, Activación de Alarma/Falla, Restablecer)
- Fallas/Alarmas: se registran solo si ocurre una falla o alarma ese día
- Carga diaria a la batería

El puerto USB Micro-B del EcoBoost MPPT (para uso futuro) también permitirá la transferencia de datos en aplicaciones móviles.

4.8 Carga USB auxiliar

- 1) El EcoBoost MPPT cuenta con dos puertos USB-A para uso como fuentes de carga para aparatos electrónicos pequeños. Se toma la energía del sistema de baterías de tal forma que la carga auxiliar debe estar equilibrada con otros consumos de cargas en el sistema de baterías.
- 2) Los puertos de carga USB operarán en cualquier condición, a excepción de una desconexión por bajo voltaje, una desconexión por alto voltaje o una desconexión de carga solicitada por el usuario (desde un comando de medición, por ejemplo). En caso de una desconexión por bajo voltaje, una desconexión por alto voltaje o una desconexión de carga, se apagan la carga principal y los puertos USB.
- 3) Si la carga principal presenta algún tipo de falla (transistor de efecto de campo con cortocircuito, etc), los puertos de carga USB seguirán en funcionamiento.

4.9 Inspección y mantenimiento

La tabla 4-5 que se encuentra a continuación lista la agenda de mantenimiento para mantener su EcoBoost MPPT en condiciones óptimas.



ADVERTENCIA: RIESGO DE DESCARGA ELÉCTRICA. *NINGUNA TERMINAL DE ALIMENTACIÓN O ACCESORIO DE TERMINAL SE ENCUENTRA ELÉCTRICAMENTE AISLADO DE LA ENTRADA CC Y PUEDE ACTIVARSE CON VOLTAJE SOLAR PELIGROSO. BAJO CIERTAS CONDICIONES DE FALLA, LA BATERÍA SE PUEDE SOBRECARGAR. REVISE TODAS LAS TERMINALES Y CONEXIONES A TIERRA ANTES DE TOCAR.*



ADVERTENCIA: PELIGRO DE DESCARGA ELÉCTRICA. *DESCONECTE TODAS LAS FUENTES ELÉCTRICAS DEL CONTROLADOR ANTES DE RETIRAR LA CUBIERTA DE LA CAJA DE CABLES. NUNCA RETIRE LA CUBIERTA CUANDO EXISTA VOLTAJE EN LAS CONEXIONES ELÉCTRICAS DEL ECOBOOST MPPT.*

Agenda	Artículos de mantenimiento
2 semanas después de la instalación	Vuelva a fijar las conexiones de la terminal de potencia a los valores especificados de torque.
3 meses después de la instalación	Vuelva a fijar las conexiones de la terminal de potencia a los valores especificados de torque.
Mensualmente o después de cada ecualización	<p>Lleve a cabo una inspección del banco de baterías. Compruebe que no existen grietas y protuberancias en las cajas ni corrosión en las terminales.</p> <p>Para baterías de celda húmeda (inundadas), asegúrese de que el nivel de agua es el correcto. Los niveles de agua de la celda húmeda deben revisarse mensualmente o de acuerdo con las recomendaciones del fabricante.</p>
Anualmente	<p>Limpie las aletas del disipador térmico con un trapo limpio y seco.</p> <p>Realice una inspección del alambrado para comprobar que no haya daños ni deterioro.</p> <p>Compruebe que no haya nidos de insectos.</p> <p>Vuelva a fijar las conexiones de la terminal de potencia a los valores especificados de torque.</p> <p>Haga una inspección del sistema de conexión a tierra de todos los componentes. Verifique que todos los conductores de conexión a tierra estén conectados a tierra adecuadamente.</p>

Tabla 4-5. Agenda de mantenimiento

5.0 RESOLUCIÓN DE PROBLEMAS



ADVERTENCIA: RIESGO DE DESCARGA ELÉCTRICA. *NINGUNA TERMINAL DE ALIMENTACIÓN O ACCESORIO DE TERMINAL SE ENCUENTRA ELÉCTRICAMENTE AISLADO DE LA ENTRADA CC Y PUEDE ACTIVARSE CON VOLTAJE SOLAR PELIGROSO. BAJO CIERTAS CONDICIONES DE FALLA, LA BATERÍA SE PUEDE SOBRECARGAR. REVISE TODAS LAS TERMINALES Y CONEXIONES A TIERRA ANTES DE TOCAR.*



ADVERTENCIA: PELIGRO DE DESCARGA ELÉCTRICA. *SE DEBE PROPORCIONAR UN MEDIO PARA DESCONECTAR TODOS LOS POLOS DE LA FUENTE DE ALIMENTACIÓN. ESTOS DISPOSITIVOS DE DESCONEXIÓN SE DEBEN INCORPORAR EN EL CABLEADO FIJO. ABRA TODAS LAS DESCONEXIONES DE LA FUENTE DE ALIMENTACIÓN ANTES DE RETIRAR LA CUBIERTA DEL CABLEADO DEL CONTROLADOR O ACCEDER AL CABLEADO.*

5.1 Indicaciones LED de falla

Sobrecorriente de carga

LED de estado de error: Rojo intermitente. Indicadores LED de estado de la batería: Secuencia R/A-V (rojo/amarillo-verde).

Cortocircuito solar

LED de estado de carga: APAGADO. Los cables de alimentación de entrada solar tienen un cortocircuito. La carga se reanuda automáticamente cuando se elimina el cortocircuito.

Polaridad inversa de la batería

Sin indicación LED, la unidad no está encendida. No se producirán daños al controlador. Repare el cableado incorrecto para reanudar su funcionamiento normal.

Cortocircuito de carga

LED de estado de error: Rojo intermitente. Indicadores LED de estado de la batería: Secuencia R/V-A (rojo/verde-amarillo).

Desconexión por alto voltaje solar

LED de estado de carga: R (rojo) intermitente. No hay errores de estado de la batería. Si el voltaje de circuito abierto de entrada solar (Voc) excede el valor máximo de 120 voltios, el panel permanecerá desconectado hasta que el Voc caiga con seguridad por debajo del valor máximo.

Sensor remoto de temperatura (RTS)

LED de estado de error: Rojo intermitente. Indicadores LED de estado de la batería: Secuencia R/A - V/A (rojo/amarillo - verde/amarillo).

Desconexión por alto voltaje (HVD) de la batería/carga

LED de estado de error: Rojo intermitente. Indicadores LED de estado de la batería: Secuencia R-V (rojo-verde).

Temperatura alta del disipador térmico

LED de estado de error: Rojo intermitente. Indicadores LED de estado de la batería: Secuencia R-A (rojo-amarillo).

Sobrecorriente de la batería

LED de estado de error: Rojo intermitente. Indicadores LED de estado de la batería: Secuencia R/A-V (rojo/amarillo-verde).

Cambio en interruptor (DIP) de ajustes

LED de estado de error: Rojo intermitente. Indicadores LED de estado de la batería: Secuencia R-A-V (rojo-amarillo-verde).

Edición de ajustes personalizados

LED de estado de error: Rojo intermitente. Indicadores LED de estado de la batería: Secuencia R-A-V (rojo-amarillo-verde).

Falla de actualización del firmware

La actualización del firmware no fue programada exitosamente. El controlador no indicará la secuencia de LED de encendido completa de V-A-R (verde-amarillo-rojo) cuando se restaure la energía al controlador. En su lugar, el controlador se mostrará en verde, y luego se detendrá en amarillo.

LED CONTINUO DE ESTADO DE CARGA con FALLAS de SOC (R-A-V) DE AUTO-COMPROBACIÓN

Verifique que no haya ningún cableado incorrecto. De no ser así, es muy probable que el error sea crítico. Contacte a un distribuidor Morningstar autorizado para obtener ayuda.

Falla	LED de estado de carga	Indicadores LED de SOC de la batería
FET (transistor de efecto de campo) del sistema fotovoltaico en corto	Rojo continuo	Secuencia R-A-V (rojo-amarillo-verde)
FET de carga en corto	Rojo continuo	Secuencia R-A-V (rojo-amarillo-verde)
FET de carga abierto	Rojo continuo	Secuencia R-A-V (rojo-amarillo-verde)
Sensor local de temperatura dañado	Rojo continuo (solo si el RTS es inválido)	Secuencia R-A-V (rojo-amarillo-verde)
Sensor de temperatura del disipador de calor dañado	Rojo continuo	Secuencia R-A-V (rojo-amarillo-verde)
Software	Rojo continuo	Secuencia R-A-V (rojo-amarillo-verde)

FALLAS DE SOC (R-A-V) DE AUTO-COMPROBACIÓN RESETEABLES

Falla	-	Indicadores LED de SOC de la batería
Edición de ajustes personalizados	-	Secuencia R-A-V (rojo-amarillo-verde)
Cambio en interruptor DIP	-	Secuencia R-A-V (rojo-amarillo-verde)

6.0 GARANTÍA

GARANTÍA LIMITADA de controladores e inversores solares Morningstar

El EcoBoost MPPT está garantizado de estar libre de defectos de materiales y de mano de obra por un periodo de DOS (2) años a partir de la fecha de envío al usuario final original. Morningstar, a su discreción, reparará o reemplazará cualquier producto defectuoso.

EXCLUSIONES Y LIMITACIONES DE LA GARANTÍA:

Esta garantía no aplica en las siguientes condiciones:

- ◆ Daños por accidente, negligencia, abuso o uso indebido
- ◆ Corrientes fotovoltaicas o de carga superiores a los valores del producto
- ◆ Modificación no autorizada del producto o intento de reparación
- ◆ Daño producido durante el envío
- ◆ Daño ocasionado por fenómenos naturales tales como rayos y fenómenos meteorológicos extremos

LA GARANTÍA Y SOLUCIONES ESTABLECIDAS ANTERIORMENTE SON EXCLUSIVAS Y SUSTITUYEN A CUALESQUIERA OTRAS GARANTÍAS, TANTO EXPRESAS COMO IMPLÍCITAS. MORNINGSTAR DESCONOCE ESPECÍFICAMENTE TODAS Y CADA UNA DE LAS GARANTÍAS IMPLÍCITAS, QUE INCLUYEN, SIN LIMITACIÓN, LAS GARANTÍAS DE COMERCIALIZACIÓN Y APTITUD PARA UN PROPÓSITO PARTICULAR. NINGÚN DISTRIBUIDOR, AGENTE O EMPLEADO DE MORNINGSTAR ESTÁ AUTORIZADO A HACER NINGUNA MODIFICACIÓN O AMPLIACIÓN DE ESTA GARANTÍA.

MORNINGSTAR NO SE HACE RESPONSABLE DE DAÑOS ACCESORIOS O CONSECUENCIALES DE NINGÚN TIPO, INCLUYENDO, PERO NO ESTANDO LIMITADO A, LA PÉRDIDA DE GANANCIAS, TIEMPO MUERTO, REPUTACIÓN COMERCIAL O DAÑO AL EQUIPO O A LA PROPIEDAD.

R15-8/15

7.0 ESPECIFICACIONES TÉCNICAS

EB-MPPT-20/M EB-MPPT-30/M EB-MPPT-40/M

Aspectos eléctricos:

Voltaje de batería nominal	12 voltios o 24 voltios (todos)
Rango de voltaje de la batería	10-35 voltios (todos)
Precisión del voltaje	0.1 % +/- 50 mV (todos)
Corriente de batería máxima	20 Amperios 30 Amperios 40 Amperios
Voltaje máximo del circuito abierto de energía fotovoltaica	Todos : 120 V
Capacidad de corriente de carga	20 Amperios 30 Amperios 30 Amperios
Autoconsumo (calibrado)	< 25 mA (no calibrado) < 40 mA
Indicadores LED	(1) estado, (3) SOC de batería
Protección contra sobretensiones transitorias	4500 watts (solar, batería, carga)
Eficiencia de conversión (pico)	97.3 % (todos)

Aspectos mecánicos:

Dimensiones (cm)	19.6 (anchura) x 18.1 (longitud) x 7.1 (profundidad)
Peso (kg)	1.4
Rango de calibres de cables:	
Terminales de alimentación (torque máximo)	2.5 - 16 mm ² / #14 - 2 AWG 3.95 Nm
Detección de temp.	0.25 - 1.0 mm ² / #24 - 16 AWG
Cubierta	IP20, Tipo 1

Carga de la batería:

Carga en 4 etapas:	En Masa, Por Absorción, De Mantenimiento, Ecuilizada
Coefficiente de compensación por temperatura:	-30 mV / 12 voltios / °C
Puntos de ajuste compensados por temperatura:	Por Absorción, De Mantenimiento, Ecuilización, Desconexión por alto voltaje (HVD) y Desconexión y reconexión por alto voltaje (HVDR) (solar)

Puntos de ajuste de carga de la batería (@ 25°C):
[multiplicar los voltajes por (2) para los sistemas de 24 voltios]

Ajuste de interruptores DIP 4-5-6	Tipo de batería	Etapas de absorción (voltios)	Etapas de mantenimiento (voltios)	Etapas de ecualización (voltios)	Tiempo de absorción (min)	Tiempo de ecualización (min)	Tiempo de espera de ecualización (min)	Intervalo de ecualización (días)	LVD (voltios)	LVR (voltios)
apagado - apagado - apagado	1 - Sellado*	14.00	13.50		150				11.50	12.60
apagado - apagado - encendido	2 - Sellado*	14.15	13.50	14.40	150	60	120	28	11.30	12.80
apagado - encendido - apagado	3 - Sellado*	14.30	13.50	14.60	150	60	120	28	11.50	13.00
apagado - encendido - encendido	4 - AGM/inundado	14.40	13.50	15.10	180	120	180	28	11.70	13.20
encendido - apagado - apagado	5 - Inundado	14.60	13.50	15.30	180	120	180	28	11.90	13.40
encendido - apagado - encendido	6 - Inundado	14.70	13.50	15.40	180	180	240	28	12.10	13.60
encendido - encendido - apagado	7 - L-16	15.40	13.40	16.00	180	180	240	14	12.30	13.80
encendido - encendido - encendido	8 - Personalizado	Personalizado	Personalizado	Personalizado	Personalizado	Personalizado	Personalizado	Personalizado	Personalizado	Personalizado

* El tipo de batería "sellado" incluye baterías de gel y AGM

Compensación de corriente:

Sistemas de 12 voltios -15 mV / A
Sistemas de 24 voltios -30 mV / A
Puntos de ajuste compensados LVD
Umbral de compensación 3 A

Control solar y de carga (multiplicar los voltajes por (2) para los sistemas de 24 voltios):

Valores predeterminados (personalizables)

LVD Consulte la tabla anterior
LVR Consulte la tabla anterior

Desconexión por bajo voltaje (LVD) instantánea 10.0 V

Desconexión por alto voltaje (HVD) - solar Punto de ajuste de etapa actual + 0.5 V (@ 25 °C)

Desconexión por alto voltaje (HVD) - carga 15.3 V

Desconexión y reconexión por alto voltaje (HVDR) - solar 13.8 V (a 25 °C)

Desconexión y reconexión por alto voltaje (HVDR) - carga 14.5 V

Advertencia de LVD 10 minutos

Anulación de LVD 10 minutos

Cantidad máxima de anulaciones de LVD (no personalizable) Sin límite a menos que V_{bat} < desconexión por bajo voltaje (LVD) instantánea

Control de iluminación (DIP 1 ENCENDIDO):

Ajuste de temporizador de iluminación atardecer-amanecer (predeterminado)

Temporizador de prueba de iluminación 5 minutos

Datos y comunicaciones:

Puerto de datos (uso futuro) USB Micro-B
Registro de datos (uso futuro) Máximo de 30 días
Protocolo de com. Serie

Medidor digital:

Resolución 128 x 64
Área de visualización 70 mm x 40 mm
Color de pantalla azul sobre blanco
Luz de fondo LED
Temperatura operacional -20 °C a +60 °C
Temperatura de almacenaje -30 °C a +80 °C

Aspectos ambientales:

Altitud máxima de funcionamiento 2000 metros
Temperatura operacional -40 °C a +60 °C
Temperatura de almacenaje -40 °C a +80 °C
Humedad 100 % n.c.
Tropicalización Circuitos impresos integrados con revestimiento de conformación; Terminales con clasificación marina

Protecciones

Encendido contra cualquier falla activa
Polaridad inversa - batería y panel
Cortocircuito solar
Desconexión por alto voltaje solar
Temperatura alta del disipador de calor - Reducción de corriente
Temperatura alta del disipador de calor - Desconexión de carga
Cortocircuito de carga
Sobrecorriente de carga
Límite de temperatura del disipador térmico
Terminales del sensor remoto de temperatura (RTS)



IEC 62109-1
EN 62109-1

www.tuv.com
ID 0007000000



Registration, Evaluation and
Authorization of Chemicals



- En cumplimiento con CSA-C22.2 no. 107.1
- IEC 62109-1
- Cumple con el Código eléctrico nacional de los Estados Unidos de América
- Cumple con el Código eléctrico de Canadá
- Cumple con FCC Clase B

Directivas de Normas Europeas:

- Cumple con los estándares de las Normas Europeas y LVD para el mercado CE
- EN 62109-1
- Emisiones 55014-1
- Inmunidad 55014-2

EcoBoost MPPT™ es una marca registrada de Morningstar Corporation

© 2018 Morningstar Corporation. Todos los derechos reservados.