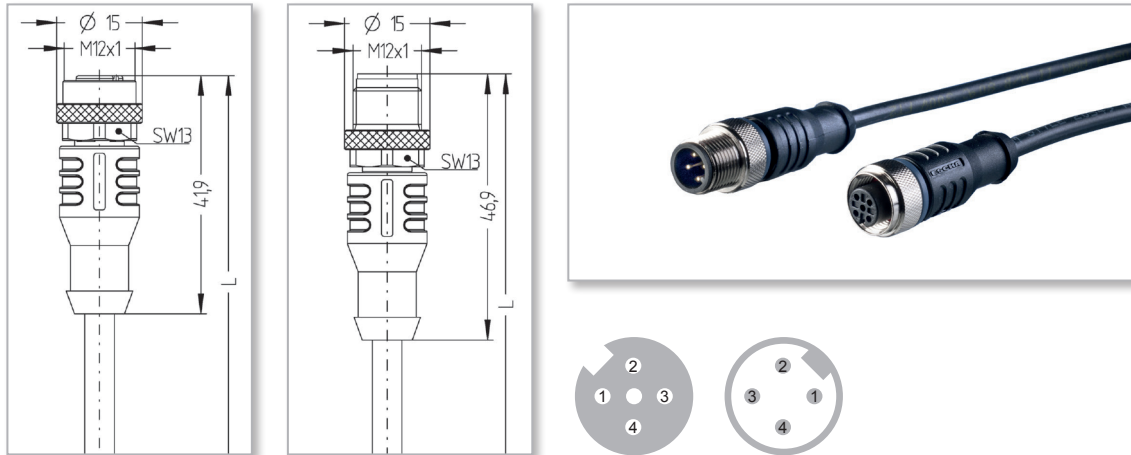


## Zubehör Accessories

### M12 Sensor Kabel PUR / M12 Sensor cable PUR 200100-01, 200100-02, 200100-03



Art.Nr. / Item No.	Beschreibung / description
200100-01	Sensor Kabel, PUR, 5m - M12 Buchse/M12 Stecker, 0,34 mm <sup>2</sup> Sensor cable, PUR, 5m - plug straight M12/socket straight M12, 0,34 mm <sup>2</sup>
200100-02	Sensor Kabel, PUR, 2,5m - M12 Buchse/M12 Stecker, 0,34 mm <sup>2</sup> Sensor cable, PUR, 2,5m - plug straight M12/socket straight M12, 0,34 mm <sup>2</sup>
200100-03	Sensor Kabel, PUR, 10m - M12 Buchse/M12 Stecker, 0,34 mm <sup>2</sup> Sensor cable, PUR, 10m - plug straight M12/socket straight, 0,34 mm <sup>2</sup>

Polzahl/ Number of pins	4
Codierung/ Coding of	A
Bemessungsspannung/ Rated voltage	250V
Strombelastbarkeit pro Pin (bei 40°C)/ Current load (at 40°C)	4A
Isolationswiderstand/ Insulation resistance	$\geq 10^8 \Omega$
Durchgangswiderstand/ Resistance	$\leq 5 \text{ m}\Omega$
Umgebungstemperatur/ Ambient temperature product	-30°C...+90°C
Material Kontakte/ Contact material	Metall, CuSn, vergoldet/ Metal, CuSn, gold-plated
Material Kontaktträger/ Contact-carrier material	Kunststoff, TPU, BK/ Plastic, TPU, BK
Material Griffkörper/ Grip body material	Kunststoff, TPU, BK/ Plastic, TPU, BK
Material Überwurf/ Coupling nut materia	Metall, CuZn, vernickelt/ Metal, CuZn, nickel-plated
Material Dichtung (Kupplung)/ Sealing (female) material	FPM/FKM
Normen/ Standards	IEC 61076-2-101
Schutzklasse (montiert)/ Degree of protection (mounted)	IP65, IP67, IP68
UL	Ja/ Yes
ROHS	Ja/ Yes