

5
YEAR
SATISFACTION
GUARANTEE

model
EX05

WHOLE ROOM CIRCULATOR OWNER'S GUIDE

LUFTZIRKULATOR FÜR DEN GANZEN RAUM,
BETRIEBSANLEITUNG

GUIDE DE L'UTILISATEUR DU VENTILATEUR
INTÉGRAL DE PIÈCE

HANDLEIDING VOOR DE EIGENAAR VAN DE
WHOLE ROOM AIR CIRCULATOR

GUIDA PER IL VENTILATORE PER L'INTERA
STANZA

MANUAL DO PROPRIETÁRIO DA VENTONHA
DE CIRCULAÇÃO DO AR DE TODA A DIVISÃO

GUÍA DEL PROPIETARIO DEL CIRCULADOR DE
AIRE PARA TODA LA HABITACIÓN

NÁVOD K POUŽITÍ CÍRKULÁTORU VZDUCHU
PRO CELOU MÍSTNOST

BRUKSANVISNING FÖR ÄGARE AV AIR CIRCUL-
LATOR FÖR HELA RUMMET

NÁVOD NA POUŽÍVANIE CELOIZBOVÉHO VEN-
TILÁTORA VZDUCHU

READ AND SAVE THESE INSTRUCTIONS

LESEN SIE DIESE ANWEISUNGEN UND BE-
WAHREN SIE DIESE AUF

LIRE ET CONSERVER CES INSTRUCTIONS

LEES DEZE INSTRUCTIES DOOR EN BEWAAR ZE

LEGGERE E CONSERVARE QUESTE ISTRUZIONI

LEIA E CONSERVE ESTAS INSTRUÇÕES

LEA Y TENGA EN CUENTA ESTAS INSTRUCCIONES

PŘEČTĚTE SI TYTO POKYNY A USCHOVEJTE JE

LÄS OCH SPARA DESSA INSTRUKTIONER

TIETO INŠTRUKCIE SI PREČÍTAJTE A USCHOVAJTE

vornado-deutschland.de

we expect
this product
to be **PERFECT**

if it's not
WE will make
it right.

vornado-deutschland.de
+49 (0) 531 224356-82
service@vornado-deutschland.de

CONTENTS

Important Safety Instructions	4	Additional Product Information	18
Features	9	Warranty.....	19
Controls.....	10		
How to Use	11		
Assembly.....	12		
Cleaning	15		
Troubleshooting	17		

Deutsch p. 20	Nederlands p. 54	Português p. 90	Čeština p. 126	Slovensky p. 162
Français p. 37	Italiano p. 72	Español p. 108	Svenska p. 144	

IMPORTANT INSTRUCTIONS

READ ALL INSTRUCTIONS BEFORE USING.

This owner's guide and any additional inserts are considered part of the product. They contain important information about safety, use, and disposal. Before using the product, please familiarize yourself with all operating and safety instructions. Please keep all documents for future reference and pass these documents on, together with the product, to any future owner. Please refer to our website for the most current version of our owner's guide.

The following Warning messages are throughout this owners guide:

DANGER

Indicates a hazard with a HIGH level of risk which, if not avoided, will result in death or serious injury. Please pay special attention to any instructions given to avoid this threateningly dangerous risk.

WARNING

Indicates a hazard with a MEDIUM level of risk which, if not avoided, could result in death, serious injury, minor or moderate injury or potential property damage.

IMPORTANT INSTRUCTIONS

Indicates additional information that will assist in the care of handling of the device.

INTENDED USE: This product is intended to circulate the air in indoor living spaces only. This product is not intended for commercial or industrial uses. The manufacturer assumes no responsibility for damage caused by failure to follow these instructions or improper product use. Any such actions will invalidate the product warranty.

WARNING – When using electrical appliances, basic precautions should always be followed to reduce the risk of fire, electric shock and injury to persons, including the following:

WARNING

Risk to Children and Other at Risk Groups of People.

- This appliance can be used by children aged from 12 years and above and persons with reduced physical, sensory or mental capabilities or lack of experience and knowledge if they have been given supervision or instruction concerning use of the appliance in a safe way and understand the hazards involved.
- Children shall not play with the appliance.
- Cleaning and user maintenance shall not be made by children without supervision.
- This product and its packaging material are not toys and should be kept out of reach of children.

WARNING

Risk from Unintended Use and Handling. Please take care to follow these guidelines to avoid risks to people or property.

- **Do Not** use this product outdoors or directly exposed to weather.

- **Do Not** use this device in tropical humid climates. If the product is brought in from the cold to a warm area (e. g., during transport), condensation can occur within the unit. Let the device reach room temperature, before using it.
- **Do Not** use this product on wet surfaces. Do not use this product in a bathtub, shower or locate product where it may fall into a bathtub, laundry, swimming pool or other water container.
- **Do Not** immerse this product in water or allow water to drip into the motor housing.
- **Do Not** use near furnaces, fireplaces, stoves or other high-temperature heat sources.
- **Do Not** position this product too close to draperies or other loose fabrics as they may be drawn into the product, cutting off airflow and damaging the motor.
- **Do Not** carry this product by the cord, or use the cord as a handle as it can damage internal wiring. Do not unplug product by pulling on cord or place the cord under strain. To unplug, grasp the plug, not the power cord.
- **Do Not** run cord under carpeting. Do not cover cord with throw rugs, runners, or similar coverings.

Do not route cord under furniture or appliances. Arrange cord away from traffic area and where it will not be tripped over. To avoid a tripping hazard, safely coil/store the power cord.

- **Do Not** tamper with or modify this product in any way.
- **Do Not** allow the power cord to come in contact with water or wet locations.
- **Do Not** place power cord near heat sources, such as heaters or radiators.

ELECTRICAL CONNECTION: Only a proper 230V~50Hz AC outlet may be used to connect to public power supply.

DANGER

Risk from Electrical Shock. Contact with wires or components that are under voltage could be potentially fatal!

- **Do Not** touch the product with wet or damp hands.
- **Do Not** operate any product with a damaged

cord or plug or after the product malfunctions, has been dropped or damaged in any manner. Discard product, or return to authorized service facility for examination and/or repair in order to avoid a hazard.

- If the supply cord is damaged, it must be replaced by the manufacturer or its service agent or a similarly qualified person in order to avoid a hazard.
- **Do Not** stretch the power cord or put the cord under strain.
- **Do not** insert or allow foreign objects to enter any input or output opening as they may cause risk of electric shock or fire, or damage the product.
- Turn off all controls before unplugging. Unplug from wall outlet if not in use for extended periods of time.
- **Do Not** open appliance housing. To avoid risk of shock, all service and/ore repairs must be done by a Vornado Authorized Service Center. Only original replacement parts may be used.
- For safety reasons, always unplug the unit in the event of a thunderstorm.

WARNING

Risk from Improper Installation. Please take care to follow these guidelines to avoid risks to people or property.

- Ensure that wall power outlet is easily accessible so unit can be disconnected during an emergency.
- To reduce the risk of fire or electrical shock, do not use this product with any external (solid state) speed control device.
- To reduce the risk of fire or electric shock and injury to persons, do not use in a window.

Information Regarding the EC Declaration of Conformity

This product conforms with all relevant and necessary EC directives, including:

- Low Voltage Directive (LVD)
- Electromagnetic Compatibility Directive (EMC)
- Energy Related Product Directive (ErP)
- Restriction of Hazardous Substances Directive (RoHS)
- Registration, Evaluation, Authorisation, and

Restriction of Chemicals (REACH)

The complete Declaration of Conformity is registered and can be obtained from the importer.



PACKAGE RECYCLING: The packaging protects the appliance from transport damage. The packaging materials are selected from the point of view of their environmental friendliness and disposal technology and are therefor recyclable.

- Dispose of all packaging materials in an environmentally responsible manner.



WEEE Recycling

- **Waste Electrical and Electronic Equipment Disposal:** This marking indicates that this product

should not be disposed with other household wastes throughout the EU. To prevent possible harm to the environment or human health from uncontrolled waste disposal, recycle it responsibly to promote the sustainable reuse of material resources. To return your used device, please use the return and collection systems or contact the retailer where the product was purchased. They can take this product for environmental safe recycling.

FEATURES

POWERFUL IP-54 RATED MOTOR
Dust proof, long life motor that will endure the rigors of the job site.

TOOL FREE ASSEMBLY

EXTRA LONG 8' (2.4 m) POWER CORD
Ample cord length plus a fully secure wall connection

TOGGLE SWITCH
Oversized glove-friendly double toggle switch

WALL MOUNTABLE
Wall-mount option for added versatility

NON-SLIP FEET
Product will stay where you put it.



FINGER FRIENDLY DESIGN
Resists curious fingers.

REMOVABLE GRILL
For easy cleaning.

SWIVEL HEAD
360° pivoting head to direct air where needed

COLLAPSIBLE TRIPOD BASE
Quick and easy setup, takedown & storage

CONTROLS

POWER ON/OFF
Select High (III),
Medium (II), Low (I) fan
speed or power off (O)



HOW TO USE

The EXO5 can be used in one of three different ways.

1. TRIPOD BASE



2. CLAMP



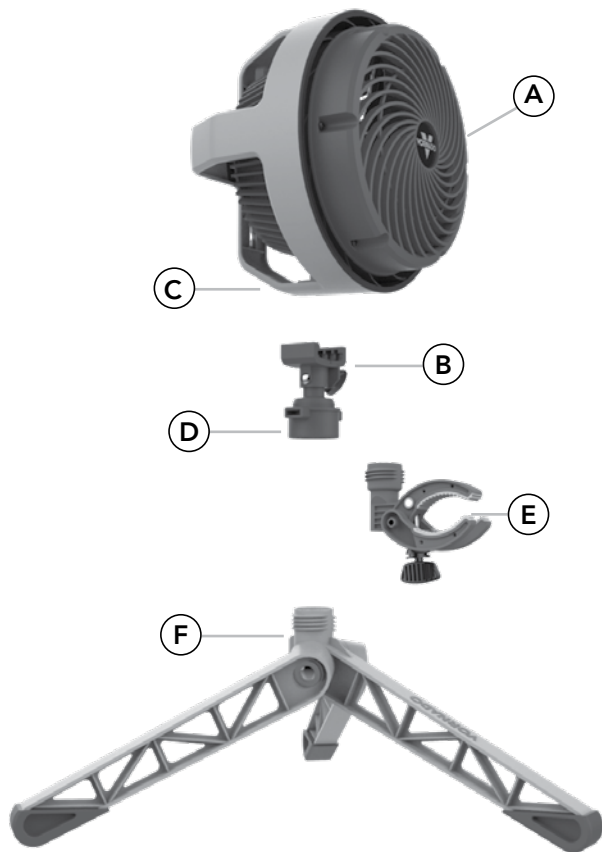
3. WALL MOUNT



ASSEMBLY

The EXO5 can be used in one of three different ways.

1. Connect the Locking Socket Joint (B) to the EXO5 Fan Head (A) at any flat location along the Roll Cage (C). Before proceeding, ensure that the knob is properly tightened and the Locking Socket Joint (B) is fully secured to the Fan Head (A). Do not pinch the power cord between the Locking Socket Joint (B) and the Fan Head (A).
2. To connect the Fan Head/Locking Socket Joint assembly to either the Clamp (E) or the Tripod Base (F), simply insert into the under side of the Locking Socket Joint (D) and twist until secured.
3. To remove Clamp (E) or the Tripod Base (F), simply twist until loosened.

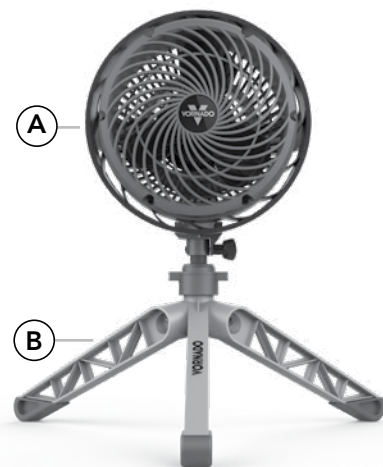


HOW TO USE

TRIPOD BASE ATTACHMENT

1. After product assembly, position unit on flat and level surface as shown below.
2. To adjust angle of head tilt, simply loosen the connection between the Fan Head (A) and the Tripod Base (B) with a twist, adjust to desired angle and then twist to retighten.

Note: Product should be used with Tripod Base (B) in fully extended position and fully secured to Fan Head (A).



Note: For both attachment options, keep the electrical cord safely routed to avoid being tripped over or pulled. Avoid placing the product where it could be easily bumped.

CLAMP ATTACHMENT

1. After product assembly, twist the Cam Lock Knob (C) to open the Clamp (D).
2. Position the Clamp (D) over a solid surface **up to 2" thick**.
3. Twist the Cam Lock Knob (C) to tighten. Take care Clamp (D) is fully engaged on solid surface before releasing.

Note: DO NOT attach to slick or oily surfaces as this may allow product to come loose. Make sure solid surface can support the weight of the product.



HOW TO USE

WALL MOUNT INSTALLATION

1. Locate the Key Holes (A) on the back of the product.
2. Find and mark two circles on the wall where the product will be mounted. The circles need to be 5" apart from center to center.

NOTE: Is it recommended to mount the EXO5 on a solid surface or wall stud. Do NOT hang the product on the ceiling. Use drywall anchors if a stud is not available.

3. Drill 2 #10 panhead screws into the wall (screws not included). Screws should be weight rated for 10 lb vertical load each.
4. Leave about 1/4" of each screw exposed.
5. Place the wide portions of the Key Holes over the heads of the 2 screws.
6. Slide the product down until the screws are inside the narrow portion of the key holes and the product is secured to surface.

Note: Hang product from sturdy location using large screws that will support product. Be careful not to hang the product in such a way that it prevents normal fan operation or damages the cord. Keep the electrical cord safely routed to avoid being tripped over or pulled. Avoid placing the product where it could be easily bumped.




CLEANING

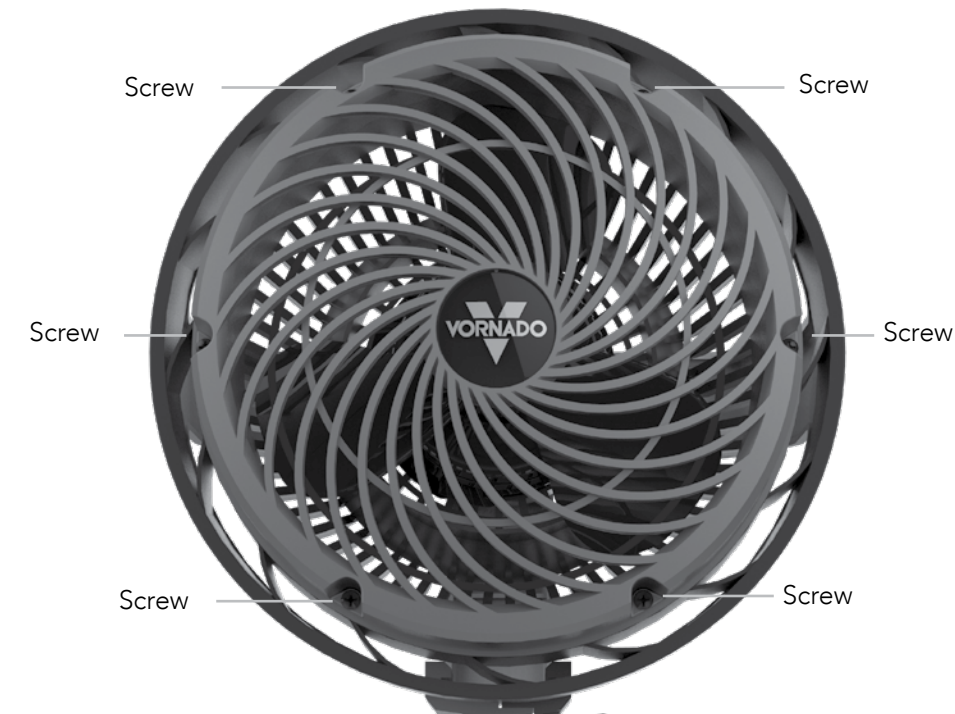
GRILL REMOVAL *Screwdriver required.*

WARNING: To reduce the risk of electrical shock and injury to persons, ensure that fan is switched off and unplug the circulator before removing grill.

1. Remove the 6 screws located on the front of the grill.
2. Dust or wash the Front Grill with a mild dishwashing soap. Do not place grill in the dishwasher. The excessive heat can distort the plastic.
3. To reattach - align the 6 screw holes and replace all the screws.

 **Tip** Use the brush attachment on your household vacuum cleaner to vacuum any accumulated dust off the Front Grill and Air Inlets.

Note: The motor is permanently lubricated and requires no oiling.

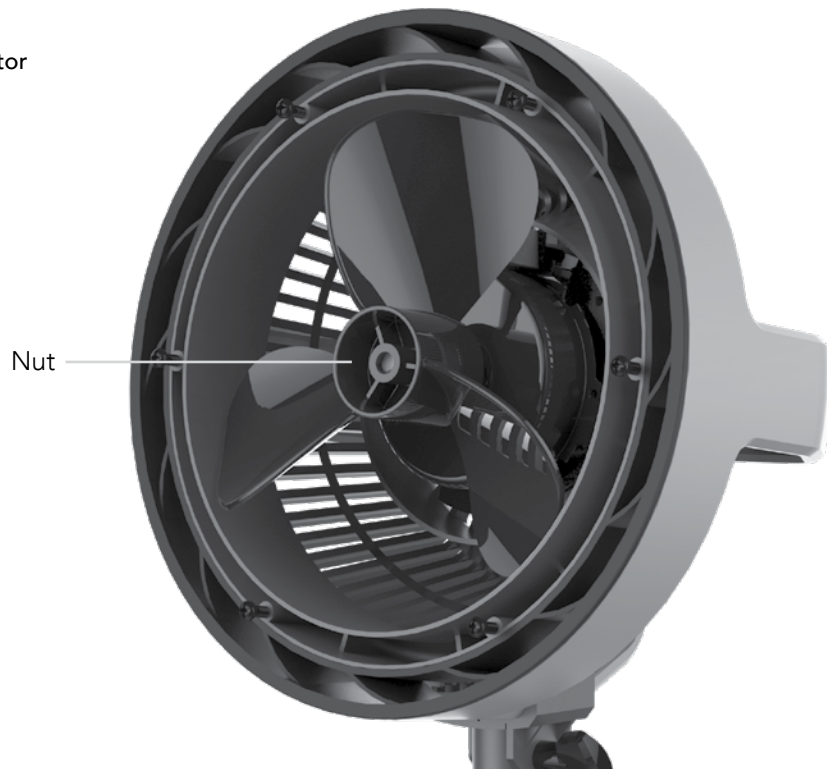


CLEANING

BLADE REMOVAL

WARNING: To reduce the risk of electrical shock and injury to persons, ensure that fan is switched off and unplug the circulator before removing grill.

1. First, remove the nut from the shaft by turning the nut clockwise to loosen. Remove the washer. Pull the blade straight out from the shaft.
2. Wipe the Blade with a damp cloth. If your circulator is used in a greasy environment, such as a kitchen, mild soap or a common household cleaner may be necessary. Do not use solvents. Do not place blade in the dishwasher. The excessive heat can distort the plastic.
3. To reattach - be certain the flat side of the shaft aligns directly with the corresponding flat side on the blade's socket. Push the blade all the way on the shaft until it bottoms out. **Do not use a hammer as this could result in bearing damage.** Reinstall washer and nut.



TROUBLESHOOTING

PROBLEM

POSSIBLE CAUSE AND SOLUTION

The unit fails to power on.

Unit is not plugged in. Plug Power Cord into electrical outlet.

Ensure unit fan speed setting is selected.

Unit is damaged or in need of repair. Cease usage and unplug. Contact Consumer Service for assistance.

The outlet is worn or damaged. Try another outlet or contact a qualified electrician.

Airflow is weak or slow.

Unit set to a low speed setting. Adjust to a higher speed setting.

Airflow is blocked. Remove obstruction.

Adjust direction of airflow towards the user.

ADDITIONAL PRODUCT INFORMATION

Description	Symbol	Unit	Value
Input Voltage		V	220 - 240
Mains Voltage Frequency		Hz	50
Protection Class		Class	II / <input type="checkbox"/>
Dimensions		W x H x D (cm)	47.8 x 50 x 42.7
Weight		Approx. (g)	2712
Fan Power Input	P	Watts (W)	35.35
Maximum Fan Flow Rate	F	m ³ /min	21.87
Service Value	SV	(m ³ /min)/W	0.62
Standby Power Consumption	P _{SB}	Watts (W)	0.00
Emitted Sound Level	L _{WA}	dB(A)	67.8
Maximum Air Velocity	c	m/sec	3.219
Measurement Standard For Service Value	IEC 60879: 1986 corr(1992) GB/T 13380-2007		
Contact Details For Obtaining More Information	Vornado Air LLC 415 East 13th Street Andover, KS 67002 USA		



LIMITED WARRANTY*

We expect this product to be perfect. If you're not satisfied with this product, let us know.

*Limited Warranty and repair terms and conditions

You will receive a voluntary five-year manufacturer's warranty from date of purchase on materials and workmanship of the product. This extended manufacturer's warranty is valid for all customers in Europe. The legal warranty claims are unaffected by this additional regulation.

The manufacturer assumes no responsibility for damage caused by failure to follow these instructions or improper product use. Any such actions will invalidate the product warranty.

This warranty does not apply to defects resulting from abuse of the Product, modification, alteration, repair or service of the Product by anyone other than Vornado or an Authorized Service Center, mishandling, improper maintenance, commercial use of the Product, damages which occur in shipment or are attributed to acts of God.

Any unauthorized product modification, repair by unauthorized repair center, or use of non-approved replacement parts is not recommended and any consequences will not be covered by support services or product warranties.

Exclusions are damages through inappropriate use or use of the product

not according to the manual. For example, but not limited to: If the product is exposed to wetness, extreme temperatures, environmental conditions, corrosion, oxidation, if liquids are spilled over the device, if chemical substances impact the product or through other incidents that are not within the reasonable range of influence of the manufacturer.

Prerequisite for processing in the service department is the submission of a receipt or an invoice.

All technical information, data and instructions for the installation, connection and operation contained in these instructions for use correspond to the latest available information at time of printing.

The contents of this manual may differ slightly from the actual product. Observe any additional supplements.

All company names and product names are trademarks of their respective owners. © All rights reserved.

Refer to back cover of owner's guide for the Importer Information and your Authorized Service Center.



Designed and engineered in USA.

© 2018 Vornado Air LLC Andover, KS 67002 U.S. Patent pending. Specifications subject to change without notice. Vornado® is a trademark owned by Vornado Air LLC.

Wir erwarten,
dass dieses produkt
PERFEKT ist.

Falls dies nicht der
Fall sein sollte,
dann bringen **WIR** es
in Ordnung.

vornado-deutschland.de
+49 (0) 531 224356-82
service@vornado-deutschland.de

INHALTE

Wichtige Hinweise	22
Funktionen	26
Steuerung	27
Gebrauchshinweise	28
Montage.....	29
Reinigung	32
Problemlösung	34
Zusätzliche Produktinformationen.....	35
Garantie	36

WICHTIGE HINWEISE

LESEN SIE VOR DER INBETRIEBNAHME ALLE ANWEISUNGEN.

Diese Gebrauchsanleitung und alle weiteren Ergänzungen werden als Teil des Produkts erachtet. Sie enthalten wichtige Hinweise zur Sicherheit, Verwendung und Entsorgung. Bitte machen Sie sich vor der Verwendung des Produkts mit allen Betriebs- und Sicherheitshinweisen vertraut. Bitte bewahren Sie alle Dokumente für die Zukunft auf und reichen Sie diese zusammen mit dem Produkt an etwaige zukünftige Besitzer weiter. Die aktuellste Version unserer Bedienungsanleitung finden Sie auf unserer Website.

Die folgenden Warnhinweise werden in dieser Betriebsanleitung wiederholt verwendet:

ACHTUNG

Eine Gefahrenquelle mit HOHEM Risiko, die bei Missachtung zum Tod oder zu schweren Verletzungen führen kann. Bitte schenken Sie diesen Anweisungen besondere Aufmerksamkeit, um diese gefährlichen Risiken zu vermeiden.

WARNUNG

Eine Gefahrenquelle mit MITTELGROSSEM Risiko, die bei Missachtung zum Tod, zu schweren Verletzungen, zu leichten oder mittelschweren Verletzungen und zu möglichen

Sachschäden führen kann.

WICHTIGE HINWEISE

Hinweise mit zusätzlichen Informationen zur Nutzung und Wartung des Gerätes.

VERWENDUNGSZWECK: Dieses Produkt zirkuliert die Luft in Wohnräumen. Es ist nicht für gewerbliche oder industrielle Zwecke bestimmt.

Der Hersteller übernimmt keine Verantwortung für Schäden, die durch Nichtbeachtung dieser Anleitung oder unsachgemäße Anwendung verursacht wurden. Im Falle derartiger Handlungen erlischt die Produktgarantie.

WARNUNG – Bei der Verwendung elektrischer Geräte sollten stets grundlegende Vorsichtsmaßnahmen getroffen werden, um das Risiko von Feuer, Stromschlägen und Verletzungen zu reduzieren, einschließlich der folgenden:

WARNUNG

Gefahren für Kinder und andere Risikogruppen.

➤ Dieses Gerät kann von Kindern ab 12 Jahren und von Personen mit eingeschränkten physischen, sensorischen oder geistigen Fähigkeiten oder bei mangelnder Erfahrung und Wissen verwendet werden, wenn diese dabei beaufsichtigt werden oder ausführliche Anweisungen zur Benutzung des Geräts erhalten haben und sich der Gefahren

bewusst sind.

- Kinder dürfen nicht mit dem Gerät spielen.
- Das Gerät darf nicht von unbeaufsichtigten Kindern gewartet oder gereinigt werden.
- Das Gerät und die Verpackungsmaterialien sind kein Spielzeug und sollten außerhalb der Reichweite von Kindern aufbewahrt werden.

WARNUNG

Gefahr durch unsachgemäße Verwendung und Handhabung. Bitte befolgen Sie diese Richtlinien, um Risiken für Personen und Gegenstände zu vermeiden.

- Verwenden Sie dieses Produkt nicht im Freien oder in Bereichen, wo es der Witterung ausgesetzt ist.
- Verwenden Sie dieses Gerät nicht in feucht-tropischen Klimazonen. Wenn das Produkt aus der Kälte in einen warmen Raum gebracht wird (z. B. beim Transport), kann sich Kondenswasser im Gerät ansammeln. Warten Sie mit der Verwendung, bis das Gerät die Raumtemperatur erreicht hat.
- Verwenden Sie dieses Produkt nicht auf nassen Oberflächen. Verwenden Sie dieses Produkt nicht in der Badewanne, in der Dusche oder an Orten, wo es in eine Badewanne, ein Waschbecken, ein Schwimmbad oder in andere Wasserbehälter fallen kann.
- Tauchen Sie das Gerät nicht in Wasser ein und lassen Sie kein Wasser in das Motorgehäuse tropfen.

- Verwenden Sie das Gerät nicht in der Nähe von Ofen, Kaminen oder anderen Hochtemperatur-Wärmequellen.
- Stellen Sie das Gerät nicht zu nah an Vorhängen auf, da diese in das hintere Gitter gezogen werden, den Luftstrom unterbrechen und den Motor beschädigen können.
- Tragen Sie das Gerät nicht an der Schnur und verwenden Sie das Kabel nicht als Griff, da dies die Elektronik im Gehäuseinneren beschädigen kann. Ziehen Sie das Gerät nicht am Kabel aus der Steckdose und belasten Sie das Kabel nicht. Ziehen Sie das Gerät am Stecker aus der Dose, nicht am Netzkabel.
- Verlegen Sie keine Netzkabel unter Teppichböden. Bedecken Sie Kabel nicht mit Teppichen, Läufern oder ähnlichen Abdeckungen. Verlegen Sie keine Netzkabel unter Möbeln oder Geräten. Verlegen Sie das Netzkabel fernab von Verkehrsflächen, um Stolperunfälle zu vermeiden. Rollen Sie das Netzkabel auf, um eine Stolpergefahr zu vermeiden.
- Manipulieren oder modifizieren Sie dieses Produkt in keiner Weise.
- Das Netzkabel darf nicht mit Wasser oder nassen Orten in Berührung kommen.
- Verlegen Sie das Netzkabel nicht in der Nähe von Wärmequellen wie Heizungen oder Heizkörpern.

STROMANSCHLUSS: Schließen Sie das Gerät nur

an einer korrekt installierten Netzsteckdose mit 230V~50Hz an.

ACHTUNG

Gefahr von elektrischen Schlägen. Das Berühren von stromführenden Drähten oder Bauteilen kann tödlich sein!

- Berühren Sie das Gerät nicht mit nassen oder feuchten Händen.
- Verwenden das Gerät nicht mit beschädigten Kabeln oder Steckern, nach Störungen oder wenn das Gerät heruntergefallen ist oder in irgendeiner Weise beschädigt wurde. Entsorgen Sie das Gerät oder geben Sie es bei einer autorisierten Servicestelle zur Prüfung und/oder Reparatur ab, um Unfällen vorzubeugen.
- Wenn das Netzkabel beschädigt ist, muss es vom Hersteller, dem Kundendienst oder einer ähnlich qualifizierten Person ausgetauscht werden, um Gefahren zu vermeiden.
- Ziehen Sie nicht am Stromkabel und belasten Sie es nicht.
- Stecken Sie keine Fremdkörper in Belüftungs- oder Auslass-Öffnungen, da dies einen elektrischen Schlag oder Brand verursachen kann und das Gerät beschädigt.
- Schalten Sie das Gerät vollständig aus, bevor Sie den Netzstecker ziehen. Ziehen Sie das Gerät aus der Steckdose, wenn es über längere Zeit nicht in Gebrauch ist.
- Öffnen Sie nicht das Gehäuse. Um das Risiko eines Stromschlags zu vermeiden müssen alle Service-

und Reparaturarbeiten von einem autorisierten Vornado-Servicecenter durchgeführt werden. Es dürfen nur Original-Ersatzteile verwendet werden.

- Aus Sicherheitsgründen sollten Sie bei einem Gewitter immer den Netzstecker ziehen.

WARNUNG

Gefahr durch unsachgemäße Montage. Bitte befolgen Sie diese Richtlinien, um Risiken für Personen und Gegenstände zu vermeiden.

- Achten Sie darauf, dass die Wandsteckdose leicht zugänglich ist, um das Gerät im Notfall schnell vom Strom trennen zu können.
- Um die Gefahr eines Brands oder elektrischen Schlages zu verringern, verwenden Sie dieses Produkt nicht mit einem Solid-State-Steuergerät zur Geschwindigkeitsregelung.
- Um die Gefahr von Bränden oder elektrischen Schlägen und Verletzungen zu verringern, betreiben Sie das Gerät nicht in einem Fenster.

Informationen über die EG-Konformitätserklärung

Dieses Produkt erfüllt alle relevanten und erforderlichen EG-Richtlinien, einschließlich:

- Low Voltage Directive (LVD)
- Niederspannungsrichtlinie (LVD) - Richtlinie für elektromagnetische Verträglichkeit (EMV) - Energieproduktrichtlinie (ErP)
- RoHS-Richtlinie (Verbot von gefährlichen Stoffen)
- REACH-Richtlinie (Registrierung, Bewertung,

Zulassung und Beschränkung von Chemikalien)

Die vollständige Konformitätserklärung wurde eingereicht und kann über den Importeur bezogen werden.



VERPACKUNGSRECYCLING: Die Verpackung schützt das Gerät vor Transportschäden. Die Verpackungsmaterialien wurden im Hinblick auf ihre Umweltfreundlichkeit und komfortable Entsorgung ausgewählt und sind daher recycelbar

- Entsorgen Sie alle Verpackungsmaterialien auf umweltverträgliche Weise.



WEEE-Recycling

- **Entsorgung von elektrischen und elektronischen Bauteilen und Geräten:** Diese Kennzeichnung gibt an, dass das Produkt in der EU nicht zusammen mit dem normalen Haushaltsmüll entsorgt werden darf. Um mögliche Schäden für die Umwelt oder die menschliche Gesundheit durch unkontrollierte Müllbeseitigung zu vermeiden, recyceln Sie das Gerät ordnungsgemäß und unterstützen Sie die

nachhaltige Wiederverwertung von Ressourcen. Um Ihr Altgerät zurückzugeben nutzen Sie bitte die Rückgabe- und Sammelsysteme oder kontaktieren Sie den Händler, bei dem das Produkt gekauft wurde. Dieser kann das Produkt auf umweltfreundliche Weise recyceln.

FUNKTIONEN

LEISTUNGSSTARKER IP-54-MOTOR
Staubdichter Motor mit langer Lebensdauer, der den Belastungen am Arbeitsplatz standhält.

WERKZEUGLOSE MONTAGE

EXTRALANGES STROMKABEL (2,4 M, 8 Fuß)
Großzügige Kabellänge und vollständig sicherer Wandanschluss.

KIPPSCHALTER
Überdimensionierter, mit Handschuhen bedienbarer Kippschalter

WANDMONTAGE
Optionale Wandmontage für vielseitige Einsatzmöglichkeiten

RUTSCHFESTE FÜSSE
Das Produkt bleibt dort, wo Sie es aufstellen.



FINGERFREUNDLICHES DESIGN
Hält neugierige Finger fern.

ABNEHMBARES GITTER
Ermöglicht einfache Reinigung.

SCHWENKKOPF
Der um 360° schwenkbare Kopf leitet die Luft dorthin, wo sie benötigt wird

ZUSAMMENKLAPPBARER STATIVFUSS
Aufbau, Abbau und Lagerung sind schnell und unkompliziert

STEUERUNG

STROM AN/AUS
Lüfterdrehzahl High (III), Medium (II), Low (I) einstellen oder ausschalten (O).

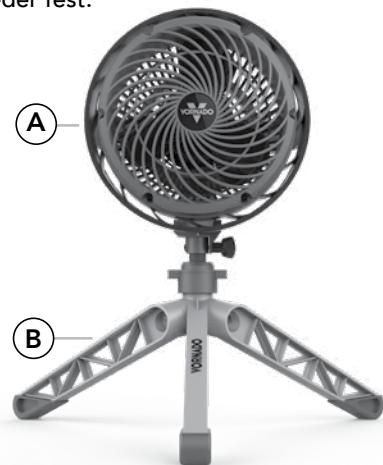


GEBRAUCHSHINWEISE

BEFESTIGUNG AM STATIVFUSS

1. Positionieren Sie nach der Montage das Gerät auf einer flachen Oberflächewie auf der nachfolgenden Abbildungersichtlich.
2. Um den Neigungswinkel des Kopfes anzupassen, lockern Sie einfach die Verbindung des Lüfterkopfes (A) und des Stativfußes (B) mit einer Drehung. Stellen Sie die gewünschte Neigung ein und ziehen Sie die Verbindung wieder fest.

Hinweis: Das Gerät sollte mit dem Stativfuß (B) in vollständig ausgefahrener Position und mit einer sicheren Befestigung am Lüfterkopf (A) verwendet werden.



KLEMMENBEFESTIGUNG

1. Drehen Sie nach der Montage des Produkts die Klappschnalle (C), um die Klemme (D) zu öffnen.
2. Positionieren Sie die Klemme (D) auf einer festen, bis zu 20 cm (2 Fuß) dicken Oberfläche.
3. Ziehen Sie die Klappschnalle (C) fest. Achten Sie darauf, dass die Klemme (D) auf der festen Oberfläche vollständig befestigt ist, bevor Sie sie loslassen.

Hinweis: Nicht an glatten oder öligen Oberflächen befestigen, da sich die Verbindung darauf lockern könnte. Achten Sie darauf, dass die Oberfläche dem Gewicht des Produktes standhalten kann.



Hinweis: Bei beiden Befestigungsmöglichkeiten muss eine sichere Führung des Stromkabels gewährleistet sein, damit niemand darüber stolpert oder daran reißt. Stellen Sie das Gerät nicht an einem Ort auf, an dem es leicht umgestoßen werden könnte.

GEBRAUCHSHINWEISE

WANDMONTAGE

1. Suchen Sie die beiden Löcher (A) auf der Rückseite des Gerätes.
 2. Markieren Sie mit zwei Kreisen an der Wand die Position, an der das Gerät montiert werden soll. Die Mittelpunkte der Kreise müssen 5 Zoll voneinander entfernt sein.
- HINWEIS: Es wird empfohlen, den EXO5 auf einer festen Oberfläche oder an einer Ständerwand zu montieren. Hängen Sie das Gerät NICHT an einer Decke auf. Nutzen Sie geeignete Dübel, falls keine Ständerwände verfügbar sind.
3. Bohren Sie zwei Linsenkopfschrauben #10 in die Wand (Schrauben sind nicht im Lieferumfang enthalten). Die Schrauben sollten jeweils für eine vertikale Belastung von 4,5 kg (10 lb) geeignet sein.
 4. Es sollten jeweils etwa 6 mm (¼ Zoll) der Schrauben sichtbar sein.
 5. Positionieren Sie die breiten Bereiche der Löcher über den Köpfen der beiden Schrauben.
 6. Schieben Sie das Gerät abwärts, bis es sicher an der Oberfläche anliegt und die Schrauben sich innerhalb der schmalere Bereiche der Löcher befinden.

Note: Hang product from sturdy location using large screws that will support product. Be careful not to hang the product in such a way that it prevents normal fan operation or damages the cord. Keep the electrical cord safely routed to avoid being tripped over or pulled. Avoid placing the product where it could be easily bumped.




REINIGUNG

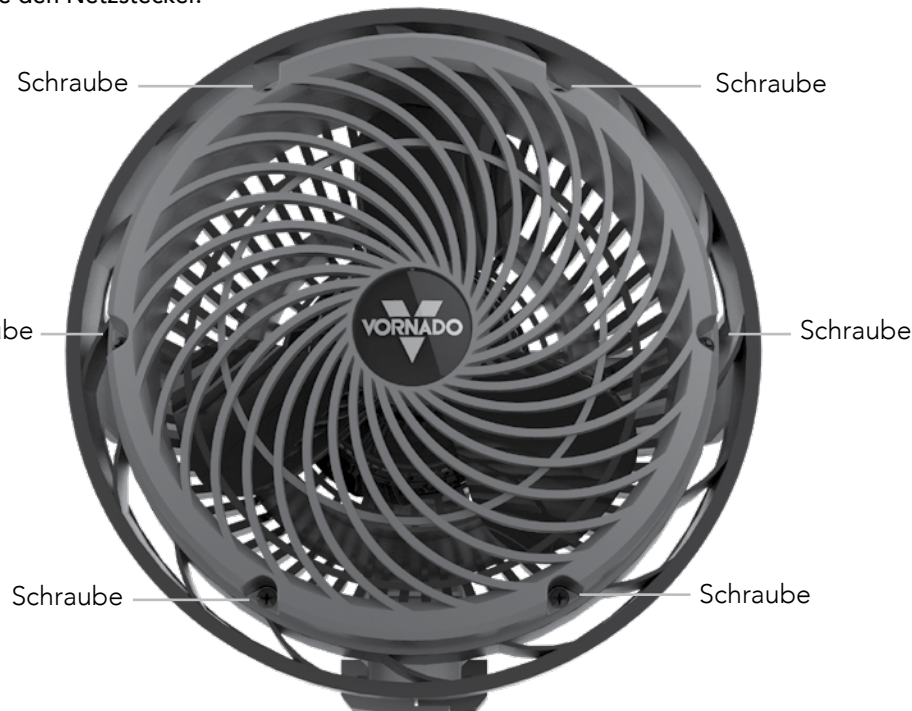
ENTFERNUNG DES GITTERS *Schraubendreher erforderlich.*

WARNUNG: Um die Gefahr von Stromschlägen und Verletzungen zu verringern, stellen Sie vor dem Entfernen des Gitters sicher, dass der Ventilator ausgeschaltet ist und ziehen Sie den Netzstecker.

1. Entfernen Sie die 6 Schrauben an der Vorderseite des Gitters.
2. Entfernen Sie Staub vom vorderen Gitter und verwenden Sie bei Bedarf ein sanftes Spülmittel für die Reinigung. Reinigen Sie das Gitter nicht in einer Spülmaschine. Die große Hitze kann den Kunststoff verzerren.
3. Beim Zusammenbau richten Sie die sechs Löcher entsprechend aus und drehen die Schrauben wieder fest.

 Verwenden Sie den Bürstenaufsatz Ihres Staubsaugers, um den angesammelten Staub von dem Gitter vorne und vom Lufteinlass zu entfernen.

Hinweis: Der Motor dauergeschmiert und erfordert keine Schmierung

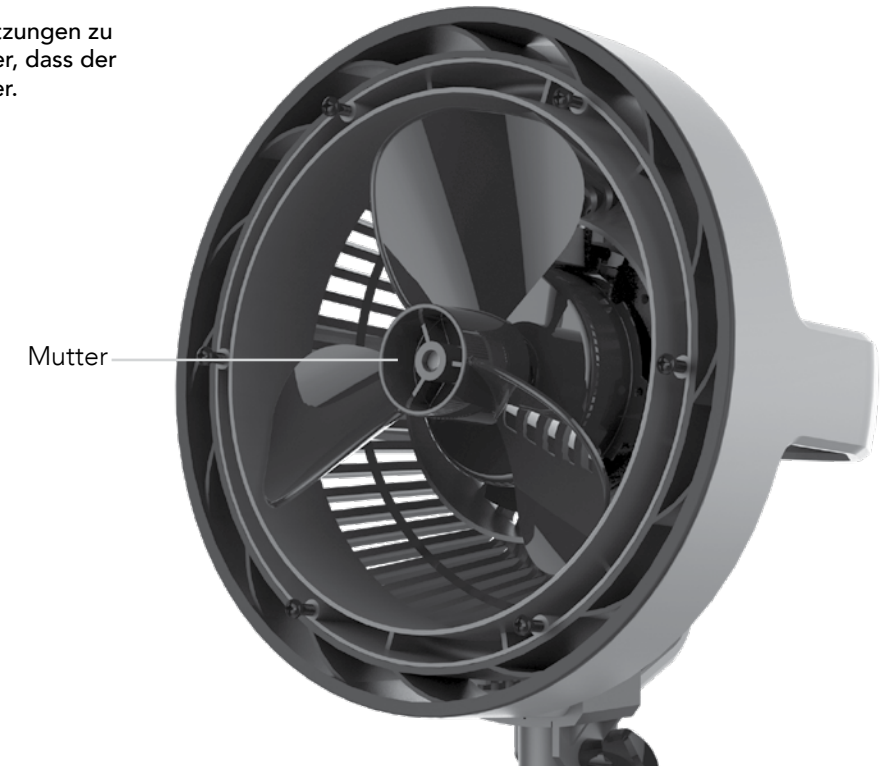


REINIGUNG

ENTFERNUNG DER ROTORBLÄTTER

WARNUNG: Um die Gefahr von Stromschlägen und Verletzungen zu verringern, stellen Sie vor dem Entfernen des Gitters sicher, dass der Ventilator ausgeschaltet ist und ziehen Sie den Netzstecker.

1. Entfernen Sie zunächst die Mutter der Welle durch Drehen der Mutter im Uhrzeigersinn. Entfernen Sie die Unterlegscheibe. Ziehen Sie den Rotor gerade aus dem Schaft.
2. Wischen Sie den Rotor mit einem feuchten Tuch ab. Wenn Ihr Luftzirkulator in einer fettigen Umgebung wie beispielsweise einer Küche verwendet wird, ist möglicherweise die Verwendung einer milden Seife oder eines Haushaltsreinigers erforderlich. Verwenden Sie keine Lösungsmittel. Reinigen Sie den Rotor nicht in einer Spülmaschine. Die große Hitze kann den Kunststoff verzerren.
3. Vergewissern Sie sich beim Befestigen, dass die flache Seite des Schafts unmittelbar mit der entsprechenden flachen Seite des Rotors übereinstimmt. Schieben Sie den Rotor vollständig bis zum Anschlag auf den Schaft. **Verwenden Sie keinen Hammer, da dies zu Lagerschäden führen kann.** Schrauben Sie die Mutter mit Unterlegscheibe wieder fest.



PROBLEMLÖSUNG

PROBLEM

Gerät lässt sich nicht einschalten.

MÖGLICHE URSACHE UND LÖSUNG

Gerät ist nicht eingesteckt. Stecker in die Steckdose stecken. Nur bei Modell 683DC – Vergewissern Sie sich, dass das Stromkabel in das Netzteil gesteckt wurde und dieses mit dem Zirkulator verbunden ist.
Vergewissern Sie sich, dass die Ventilatorzahl korrekt eingestellt ist.

Gerät ist beschädigt oder muss repariert werden. Nicht mehr benutzen und Stecker ziehen. Setzen Sie sich mit dem Kundendienst in Verbindung.

Steckdose ist abgenutzt oder beschädigt. Probieren Sie eine andere Steckdose oder wenden Sie sich an einen qualifizierten Elektriker.

Luftstrom ist schwach oder langsam.

Gerät ist auf eine niedrige Geschwindigkeit eingestellt. Stellen Sie eine höhere Geschwindigkeit ein.

Der Luftstrom wird blockiert. Hindernis entfernen.

Richten Sie den Luftstrom in die Richtung des Benutzers.

ZUSÄTZLICHE PRODUKTINFORMATIONEN

Beschreibung	Zeichen	Gerät	Wert
Eingangsspannung		V	220 - 240
Netzspannungsfrequenz		Hz	50
Schutzklasse		Class	II / 
Größe		W x H x D (cm)	47.8 x 50 x 42.7
Gewicht		Ca. (g)	2712
Lüfterleistung	P	Watt (W)	35.35
Lüfterleistung	F	m ³ /min	21.87
Gebrauchswert	SV	(m ³ /min)/W	0.62
Standby-Stromverbrauch	P _{SB}	Watt (W)	0.00
Schalleistungspegel	L _{WA}	dB(A)	67.8
Maximale Luftgeschwindigkeit	c	m/sec	3.219
Maß-Standard für Gebrauchswert	IEC 60879: 1986 corr(1992) GB/T 13380-2007		
Kontakt details, um weitere Informationen zu erhalten	Vornado Air LLC 415 East 13th Street Andover, KS 67002 USA		



EINGESCHRÄNKTE GARANTIE*

Wir erwarten, dass dieses Produkt perfekt ist. Sollten Sie nicht zufrieden sein, kontaktieren Sie uns bitte.

*Begrenzte Garantie und Reparatur AGB

Sie erhalten eine freiwillige Herstellergarantie von fünf Jahren ab Kaufdatum auf Material und Verarbeitung des Produktes. Dieser erweiterte Herstellergarantie ist gültig für alle Kunden in Europa. Die gesetzlichen Gewährleistungsansprüche werden durch diese zusätzliche Verordnung unberührt.

Der Hersteller übernimmt keine Verantwortung für Schäden, die durch Nichtbeachtung dieser Anleitung oder unsachgemäße Anwendung verursacht wurden. Im Falle derartiger Handlungen erlischt die Produktgarantie.

Diese Garantie gilt nicht für Mängel, die aufgrund von Missbrauch des Produkts, Modifikation, Veränderung, Reparatur oder Wartung des Produkts von jemand anderem als Vornado oder einen autorisierten Fachhändler, oder durch falsche Handhabung, unsachgemäße Wartung oder kommerzielle Nutzung des Produktes entstehen. Schäden, die beim Versand oder infolge höherer Gewalt auftreten, werden ebenfalls nicht abgedeckt.

Unerlaubte Änderungen am Gerät, Reparaturen durch nicht autorisierte Personen und die Verwendung von nicht zugelassenen Ersatzteilen sind nicht empfohlen und werden weder von Supportleistungen noch von Produktgarantien abgedeckt.

Ausgeschlossen sind auch sämtliche Schäden aufgrund von unsachgemäßer

Handhabung oder Verwendung des Produkts entgegen den Hinweisen der Bedienungsanleitung. Beispielsweise, aber nicht darauf beschränkt: Wenn das Produkt Nässe, extremen Temperaturen, Umwelteinflüssen, Korrosion, Oxidation ausgesetzt wird; wenn Flüssigkeiten in das Gerät verschüttet werden; wenn das Gerät chemischen Substanzen ausgesetzt wird; andere Ereignisse, die nicht im Einflussbereich des Herstellers liegen.

Die Voraussetzung für eine Bearbeitung in der Service-Abteilung ist die Vorlage einer Quittung oder Rechnung.

Sämtliche in dieser Gebrauchsanweisung enthaltenen technischen Informationen, Daten und Hinweise für die Installation, den Anschluss und den Betrieb entsprechen den neusten verfügbaren Informationen zum Zeitpunkt der Drucklegung.

Der Inhalt dieses Handbuchs kann geringfügig von dem tatsächlichen Produkt abweichen. Beachten Sie alle Ergänzungen.

Alle Firmennamen und Produktnamen sind Warenzeichen der jeweiligen Eigentümer. © Alle Rechte vorbehalten.

Beziehen sich auf die Cover der Bedienungsanleitung für den Importeur Informationen und Ihren autorisierten Service Center zurück.

Nous avons fabriqué
ce produit avec la plus
grande **ATTENTION.**

S'il ne vous donne pas
entière satisfaction,
NOUS NOUS efforcerons
de l'améliorer.

vornado-deutschland.de
+49 (0) 531 224356-82
service@vornado-deutschland.de



Konzipiert und entwickelt in den USA.

© 2018 Vornado Air LLC Andover, KS 67002 U.S. Zum Patent angemeldet. Die Spezifikationen können ohne vorherige Mitteilung geändert werden. Vornado® ist ein eingetragenes Warenzeichen von Vornado Air LLC.

TABLE DES MATIÈRES

Instructions importantes	39
Caractéristiques	43
Commandes	44
Utilisation	45
Assemblage.....	46
Nettoyage	49
Dépannage.....	51
Autres Renseignements Sur Le Produit	52
Garantie	53

INSTRUCTIONS IMPORTANTES LISEZ ET CONSERVEZ CES INSTRUCTIONS

Le présent guide d'utilisation et tout autre encart sont considérés comme faisant partie du produit. Ils contiennent des informations importantes sur la sécurité, l'utilisation et la mise au rebut du produit. Avant d'utiliser le produit, veuillez vous familiariser avec toutes les instructions relatives à son fonctionnement et à la sécurité. Veuillez conserver tous les documents pour consultation ultérieure et les remettre, avec le produit, au prochain propriétaire. Veuillez consulter notre site Web pour obtenir la version la plus récente de notre guide d'utilisation.

Les messages d'avertissement suivants apparaissent dans le présent guide d'utilisation :

DANGER

Indique une situation dangereuse comportant un degré ÉLEVÉ de risque qui, si elle n'est pas évitée, causera la mort ou des blessures graves. Veuillez porter particulièrement attention aux instructions qui visent à éviter ce risque important de danger.

AVERTISSEMENT

Indique une situation dangereuse comportant un degré MOYEN de risque qui, si elle n'est pas évitée, pourrait causer la mort, des blessures

graves, des blessures mineures ou modérées ou des dommages matériels potentiels.

INSTRUCTIONS IMPORTANTES

Les remarques importantes fournissent des renseignements additionnels qui vous aideront à mieux manipuler l'appareil.

UTILISATION PRÉVUE : Ce produit est conçu pour faire circuler l'air uniquement dans les pièces intérieures. Il n'est pas conçu pour une utilisation commerciale ou industrielle.

Le fabricant n'assume aucune responsabilité quant aux dommages survenant à la suite du non-respect de ces instructions ou d'une utilisation inadéquate du produit. Ces actions entraîneront l'annulation de la garantie du produit.

AVERTISSEMENT – Lors de l'utilisation d'appareils électriques, il faut toujours suivre des précautions de base afin de réduire le risque d'incendie, de décharge électrique et de blessure, y compris ce qui suit :

AVERTISSEMENT

Dangers pour les enfants et autres personnes à risque.

➤ Cet appareil peut être utilisé par des enfants

âgés d'au moins 12 ans et des personnes dont les capacités physiques, sensorielles ou mentales sont réduites, ou qui manquent d'expérience et de connaissances, pourvu que quelqu'un les surveille ou leur explique la façon sûre d'utiliser l'appareil afin qu'ils comprennent les risques potentiels.

- Les enfants ne doivent pas s'amuser avec cet appareil.
- Les enfants ne doivent pas effectuer le nettoyage ni l'entretien de l'appareil, sauf sous supervision.
- Ce produit et son matériel d'emballage ne sont pas des jouets et doivent être gardés hors de la portée des enfants.

AVERTISSEMENT

Risques liés à une utilisation et à une manipulation non prévues. Veuillez suivre attentivement les directives suivantes pour éviter de mettre les gens ou les biens en danger.

- Ne pas utiliser ce produit à l'extérieur et ne pas l'exposer directement aux intempéries.
- Ne pas utiliser cet appareil dans les climats tropicaux humides. Si le produit passe d'un endroit froid à un endroit chaud (par ex., pendant son transport), de la condensation pourrait se former dans l'appareil. Attendre que la température de l'appareil atteigne la température ambiante avant de l'utiliser.
- Ne pas utiliser ce produit sur des surfaces humides

ou trempées. Ne pas utiliser ce produit dans une baignoire ou une douche, et ne pas le placer quelque part d'où il pourrait tomber dans une baignoire, une machine à laver, une piscine ou tout autre contenant d'eau.

- Ne pas immerger ce produit dans l'eau et ne pas laisser l'eau dégoutter dans le boîtier du moteur.
- Ne pas utiliser le produit près d'un appareil de chauffage, d'un foyer, d'un four ou d'autres sources de chaleur à température élevée.
- Ne pas placer ce produit trop près des draperies ou d'autres tissus non attachés, car l'appareil pourrait les aspirer par ses ouvertures, ce qui entraverait la circulation d'air et endommagerait le moteur.
- Ne pas se servir du cordon pour transporter ce produit ni utiliser le cordon comme une poignée, sinon le câblage interne risque d'être endommagé. Ne pas débrancher l'appareil en tirant sur le cordon ni tendre excessivement le cordon. Pour débrancher l'appareil, tirer sur la fiche, pas le cordon.
- Ne pas faire passer le cordon sous un tapis. Ne pas recouvrir le cordon d'une carpe, d'un tapis d'escalier ou de corridor, ou d'un revêtement similaire. Ne pas faire passer le cordon sous un meuble ou un appareil électrique. Faire passer le cordon à l'écart des zones passantes, dans un endroit où il ne peut faire trébucher les gens. Pour éviter de faire trébucher les gens, enrouler/ranger le cordon d'alimentation de façon sûre.
- Ne pas altérer ou modifier ce produit de quelque façon que ce soit.

- Ne laissez pas le cordon d'alimentation entrer en contact avec de l'eau ou des endroits humides.
- Ne placez pas le cordon d'alimentation à proximité de sources de chaleur, telles que des radiateurs ou des radiateurs.

BRANCHEMENT ÉLECTRIQUE : L'appareil peut être branché uniquement dans une prise électrique 230 V~50 Hz CA adéquate reliée au réseau électrique public.

DANGER

Risque de décharge électrique. Tout contact avec des fils ou des composants sous tension peut être fatal!

- Ne pas toucher le produit avec des mains mouillées ou humides.
- Ne pas faire fonctionner un produit si son cordon ou sa fiche sont endommagés, après une défaillance du produit, ou après que le produit est tombé ou a été endommagé d'une quelconque façon. Jeter le produit ou le retourner à un établissement de réparation autorisé pour le faire examiner et/ou réparer afin d'éviter tout danger.
- Ne pas étirer le cordon ni le tendre excessivement.
- Ne pas insérer de corps étrangers dans les orifices d'entrée ou de sortie, et ne pas laisser de corps étrangers pénétrer ces orifices. Le non-respect

de cette précaution pourrait causer un risque de décharge électrique ou d'incendie, ou endommager le produit.

- Éteindre toutes les commandes avant de débrancher l'appareil. Débrancher l'appareil de la prise quand il ne sert pas pendant de longues périodes.
- Ne pas ouvrir le boîtier de l'appareil. Pour éviter tout risque de décharge électrique, tous les entretiens et toutes les réparations doivent être effectués par un centre de service autorisé de Vornado. Seules des pièces de rechange originales doivent être utilisées.
- Pour assurer la sécurité, toujours débrancher l'appareil en cas d'orage.

AVERTISSEMENT

Risques liés à une installation inadéquate. Veuillez suivre attentivement les directives suivantes pour éviter de mettre les gens ou les biens en danger.

- S'assurer d'utiliser une prise électrique murale accessible pour qu'il soit possible de débrancher facilement l'appareil en cas d'urgence.
- Afin de réduire les risques d'incendie ou de décharge électrique, ne pas utiliser ce produit avec un dispositif externe de régulation de la vitesse à semi-conducteurs.
- Afin de réduire le risque d'incendie, de décharge électrique et de blessures, ne pas utiliser le produit dans une fenêtre.

Renseignements au sujet de la déclaration de conformité de la CE

Ce produit est conforme à toutes les directives pertinentes et nécessaires de la CE, y compris :

- la directive « Basse tension » (DBT);
- la directive sur la compatibilité électromagnétique (CEM);
- la directive sur les produits liés à l'énergie (ErP);
- la directive sur la limitation de l'utilisation de certaines substances dangereuses (RoHS);
- la directive sur l'enregistrement, l'évaluation, l'autorisation et la restriction des produits chimiques (REACH).

La déclaration de conformité complète est enregistrée et peut être fournie par l'importateur.



RECYCLAGE DE L'EMBALLAGE : L'emballage protège l'appareil contre les dommages durant le transport. Les matériels d'emballage ont été sélectionnés en fonction de leurs propriétés écologiques et des technologies d'élimination. Ils peuvent donc être recyclés.

- Mettez tous les matériels d'emballage au rebut de façon à respecter l'environnement.



Recyclage des DEEE

- **Mise au rebut des déchets d'équipements électriques et électroniques :** cette indication signale que, dans l'UE, ce produit ne doit pas être mis au rebut avec les déchets domestiques. Par mesure de prévention pour l'environnement et la santé humaine, il est essentiel de le recycler de façon responsable selon le principe de réutilisation des ressources matérielles. Pour retourner votre appareil usagé, veuillez utiliser les systèmes de collecte et de reprise ou contacter le détaillant qui vous a vendu le produit. Celui-ci peut reprendre le produit afin de le faire recycler d'une façon qui respecte l'environnement.

CARACTÉRISTIQUES

MOTEUR PUISSANT CERTIFIÉ IP-54 À l'épreuve de la poussière, moteur ayant une longue durée de vie avec une grande endurance face aux rigueurs du travail.
ASSEMBLAGE SANS OUTILS

CORDON D'ALIMENTATION EXTRA LONG DE 2,4m (8pi)
Bonne longueur de cordon en plus d'un branchement sécuritaire au mur.

INTERRUPTEUR À LEVIER
Interrupteur à levier double surdimensionné pratique pour les gants.

SE FIXE AU MUR Option de montage au mur pour plus de possibilités.

PIED ANTIDÉRAPANT
Le produit restera, là où vous l'aurez placé.



CONCEPTION À L'ÉPREUVE DES PETITS DOIGTS
Résiste aux doigts curieux.

GRILLE AMOVIBLE
Facilite le nettoyage.

TÊTE PIVOTANTE
Une tête pivotant à 360° afin de diriger l'air dans la direction désirée.

TRÉPIED DÉMONTABLE
Une installation et un démontage rapide, un entreposage pratique

COMMANDES

MARCHE/ARRÊT

Choisir entre les vitesses Élevé (III), Moyen (II), Faible (I), ou éteignez la ventilation (O).



UTILISATION

L'EXO5 peut être utilisé de trois façons différentes.

1. AVEC LA BASE DE TRÉPIED



2. AVEC LA PINCE



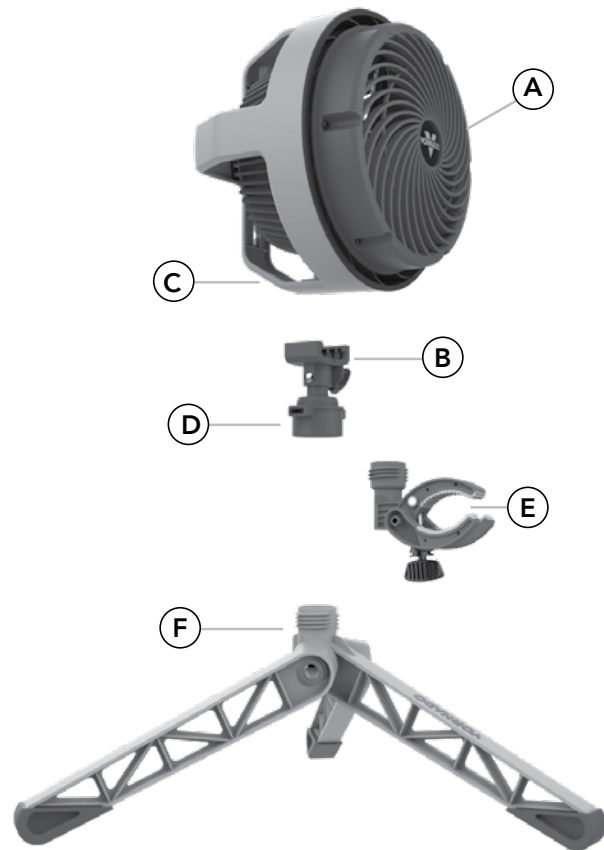
3. AVEC LE MONTAGE AU MUR



ASSEMBLAGE

L'EXO5 peut être utilisé de trois façons différentes.

1. Attacher le joint à rotule (B) et la tête du ventilateur EXO5 (A) à un emplacement plat de la cage de roulement (C). Avant de procéder, s'assurer que le bouton est bien serré et que le joint à rotule (B) est bien fixé à la tête du ventilateur (A). Ne pas coincer le cordon d'alimentation entre le joint à rotule (B) et la tête du ventilateur (A).
2. Pour attacher la tête de ventilateur et le joint à rotule assemblés à la pince (E) ou au trépied (F), insérer l'une de ces pièces sous le joint à rotule (D) et tourner jusqu'à ce que ce soit bien serré.
3. Pour retirer la pince (E) ou le trépied (F) tourner pour desserrer la pièce.

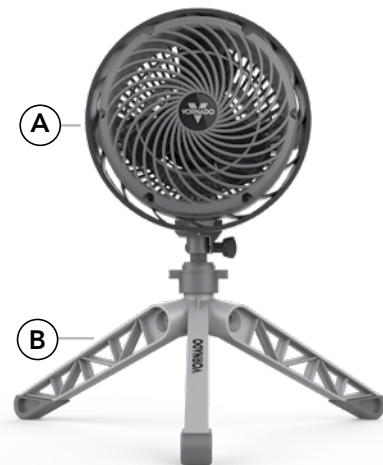


UTILISATION

ATTACHE AVEC LE TRÉPIED

1. Après avoir assemblé le produit, placer l'article à plat et niveler la surface comme il est montré ci-dessous.
2. Pour régler l'angle de la tête, desserrer le raccord entre la tête du ventilateur (A) et le trépied (B) en tournant, régler à la position désirée et tourner afin de serrer le raccord de nouveau.

Remarque: Le produit doit être utilisé avec le trépied (B) en position complètement élargi et fixé solidement à la tête de ventilation (A).



Remarque: Dans les deux cas, acheminer le cordon électrique de façon à ce qu'on ne puisse pas le tirer ou trébucher dessus. Essayer de ne pas placer le produit là où l'on pourrait facilement le heurter.

ATTACHEMENT PAR LA PINCE

1. Après l'assemblage du produit, tourner le bouton-serrure (C) afin d'ouvrir la pince (D).
2. Placer la pince (D) sur une surface solide d'une épaisseur allant jusqu'à 20cm (2po).
3. Tourner le bouton-serrure (C) afin de le refermer. S'assurer que la pince (D) est totalement fixée sur la surface solide avant de la relâcher.

Remarque: NE PAS installer sur des surfaces glissantes ou graisseuses puisque le produit risque de ne pas bien tenir. S'assurer que la surface solide peut soutenir le poids du produit.



UTILISATION

INSTALLATION AU MUR

1. Placer les entrées de clé (A) vers l'arrière du produit.
2. Dessiner deux cercles au crayon sur le mur afin de marquer le lieu où le produit sera installé. Les cercles doivent être tous deux à 5pi du centre.

REMARQUE: Il est recommandé d'installer le EXO5 sur une surface dure ou un montant. **NE PAS** suspendre le produit au plafond. Utiliser des fixations pour cloison sèche si vous ne pouvez pas faire l'installation sur un montant.

3. Percer le mur à l'aide de 2 vis à tête tronconique no10 (les vis ne sont pas incluses). Les vis doivent pouvoir supporter 4,5kg (10lb).
4. Laisser environ 6mm (¼po) de chaque vis à l'extérieur.
5. Placer les portions plus larges des entrées de clé par-dessus les têtes des 2vis.
6. Faire glisser le produit jusqu'à ce que les vis soient à l'intérieur de la partie étroite des entrées de clé et que le produit soit fixé à la surface.

Remarque: Suspendre le produit en utilisant des vis larges qui soutiendront le produit sur un emplacement solide. Faites attention de ne pas suspendre le produit d'une façon qui empêcherait le fonctionnement normal du ventilateur ou qui pourrait endommager le cordon. Acheminer le cordon électrique de façon à ce qu'on ne puisse pas le tirer ou trébucher dessus. Essayer de ne pas placer le produit là où l'on pourrait facilement le heurter.




NETTOYAGE

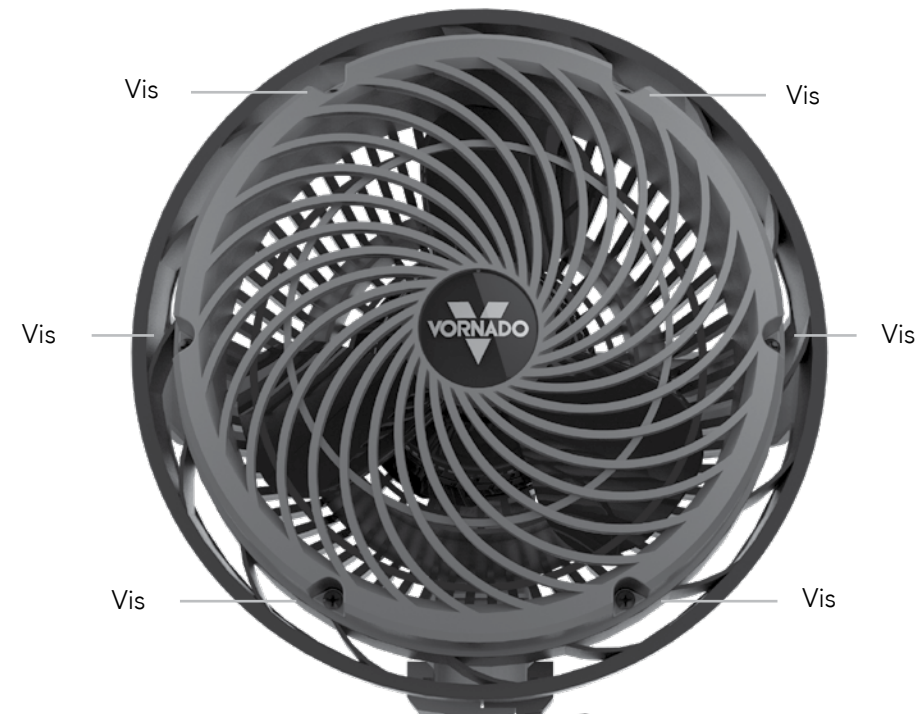
RETRAIT DE LA GRILLE *Tournevis requis.*

AVERTISSEMENT : Assurez-vous de bien éteindre le ventilateur et débrancher le circulateur avant de retirer la grille afin de réduire les risques de décharge électrique et de blessure.

1. Retirer les 6vis sur le devant de la grille.
2. Époussetez ou lavez la grille avant à l'aide d'un liquide vaisselle doux. Ne mettez pas la grille au lave-vaisselle. La chaleur excessive pourrait déformer le plastique.
3. Pour rattacher la grille, aligner les 6 les trous et remettre les vis.

 Utilisez la brosse de votre aspirateur pour aspirer toute la poussière accumulée sur la grille avant et les entrées d'air.

Remarque: Le moteur est lubrifié en permanence ; il n'est donc pas nécessaire de le graisser.



NETTOYAGE

RETRAIT DE LA PALE

AVERTISSEMENT : Assurez-vous de bien éteindre le ventilateur et débrancher le circulateur avant de retirer la grille afin de réduire les risques de décharge électrique et de blessure.

1. Enlevez la pale de l'arbre en la tournant dans le sens des **aiguilles** d'une montre pour la desserrer. Retirez la rondelle. Tirez la pale de l'arbre.
2. Essuyez la pale à l'aide d'un chiffon humide. Si le ventilateur est utilisé dans un lieu gras, comme une cuisine, il peut être nécessaire d'utiliser un savon doux ou un nettoyant domestique. N'utilisez pas de solvants. Ne mettez pas la pale au lave-vaisselle. La chaleur excessive pourrait déformer le plastique.
3. Pour remettre la pale, assurez-vous que le côté plat de l'arbre est directement aligné sur le côté plat correspondant de l'emboîtement de la pale. Poussez la pale pour l'enfoncer complètement sur l'arbre. **N'utilisez pas un marteau car il pourrait endommager les pièces.** Réinstallez la rondelle et l'écrou.



DÉPANNAGE

PROBLÈME

CAUSE POSSIBLE ET SOLUTION

L'appareil ne se met pas sous tension.

L'appareil n'est pas branché. Branchez le cordon d'alimentation dans une prise électrique. Modèle 683DC uniquement - Assurez-vous que le cordon d'alimentation CA est branché au bloc d'alimentation électrique et que le cordon CC est branché au ventilateur.

Vérifiez le réglage des vitesses sur le ventilateur.

L'appareil est endommagé ou doit être réparé. Cessez d'utiliser l'appareil et débranchez-le. Contactez le service à la clientèle pour obtenir de l'aide.

La prise est usée ou endommagée. Essayez d'utiliser une autre prise ou contactez un électricien compétent.

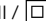
La circulation d'air est faible ou lente.

L'appareil a été réglé sur une vitesse faible. Utilisez une vitesse plus élevée.

La circulation d'air est entravée. Éliminez l'obstacle.

Dirigez la circulation d'air vers l'utilisateur.

AUTRES RENSEIGNEMENTS SUR LE PRODUIT

Description	Symbole	Unité	Valeur
Tension d'entrée		V	220 - 240
Fréquence de tension du secteur		Hz	50
Classe de protection		Class	II / 
Dimensions		W x H x D (cm)	47.8 x 50 x 42.7
Poids		Approx. (g)	2712
Alimentation électrique du ventilateur	P	Watts (W)	35.35
Débit d'air maximal prévu du ventilateur	F	m ³ /min	21.87
Valeur de service	SV	(m ³ /min)/W	0.62
Consommation d'énergie en mode veille	P _{SB}	Watts (W)	0.00
Niveau sonore émis	L _{WA}	dB(A)	67.8
Vitesse maximale de l'air	c	m/sec	3.219
Norme de mesure de la valeur de service	IEC 60879: 1986 corr(1992) GB/T 13380-2007		
Coordonnées pour l'obtention de plus amples renseignements	Vornado Air LLC 415 East 13th Street Andover, KS 67002 USA		



GARANTIE LIMITÉE*

Nous espérons que ce produit est parfait. Si vous n'êtes pas satisfait avec ce produit, faites-nous savoir.

*Limité les conditions de garantie et de réparation et les conditions

Vous recevrez une volontaire 5 ans garantie du fabricant de la date d'achat sur les matériaux et de fabrication du produit. Garantie du fabricant de cette étendue est valable pour tous les clients en Europe. Les réclamations de garantie légale ne sont pas affectées par le présent règlement additionnel.

Le fabricant n'assume aucune responsabilité quant aux dommages survenant à la suite du non-respect de ces instructions ou d'une utilisation inadéquate du produit. Ces actions entraîneront l'annulation de la garantie du produit.

Cette garantie ne s'applique pas aux vices qui résultent d'une utilisation abusive du produit, de sa modification, de la réparation du produit ou de son entretien s'ils n'ont pas été effectués par Vornado ou un centre de service autorisé, d'une manutention inadéquate, d'un entretien inadéquat, d'un usage commercial du produit, ni des dommages survenus lors de la livraison ou causés par des catastrophes naturelles.

Il n'est pas recommandé d'effectuer des modifications non autorisées du produit, de faire réparer le produit dans un centre de réparation non autorisé ou d'utiliser des pièces de rechange non approuvées, sinon tout effet négatif sur le produit ne sera pas couvert par les garanties du produit ni par les services de soutien.

La garantie ne couvre pas les dommages causés par un usage inapproprié ou non conforme au guide d'utilisation, entre autres (sans s'y limiter), si le produit est exposé à l'humidité, à des températures extrêmes, aux intempéries, à la corrosion ou à l'oxydation, si des liquides se déversent sur le produit, si des substances chimiques entrent en contact avec le produit ou tout autre incident que le fabricant ne peut contrôler ou prévoir de façon raisonnable.

Pour que le produit soit traité par le département de service, il est nécessaire d'envoyer un reçu ou une facture.

La totalité des renseignements techniques, des données et des instructions d'installation, de branchement et de fonctionnement du présent guide d'utilisation sont conformes aux informations les plus récentes au moment de l'impression.

Le contenu du présent guide d'utilisation peut différer légèrement du produit réel. Consultez tout autre document joint en annexe.

Tous les noms d'entreprise et de produit sont des marques de commerce de leurs propriétaires respectifs. © Tous droits réservés.

Consulter la pour dernière couverture du guide du propriétaire pour l'Information de l'importateur et votre centre de Service autorisé.



Conception et mise au point à É.U.

© 2018 Vornado Air LLC Andover, KS 67002 É.U. Brevet en instance. Spécifications sujettes à modification sans préavis. Vornado® est une marque détenue par Vornado Air LLC.

We gaan
ervan uit dat dit
product **PERFECT** is.

Als het dat niet
is, brengen
WE het in orde.

vornado-deutschland.de
+49 (0) 531 224356-82
service@vornado-deutschland.de

INHOUDSOPGAVE

Belangrijke instructies	56
Eigenschappen	61
Bedieningselementen	62
Gebruik	63
Montage	64
Reinigen	67
Probleemoplossingen	69
Extra Productinformatie	70
Garantie	71

BELANGRIJKE INSTRUCTIES

LEES ALLE INSTRUCTIES VOOR GEBRUIK GOED DOOR.

Deze gebruikershandleiding en de eventueel beschikbare inlegbladen dienen als onderdeel van het product te worden beschouwd. Ze bevatten belangrijke informatie over veiligheid, gebruik en recycling. Raak vertrouwd met alle gebruiks- en veiligheidsinstructies voordat u het product gebruikt. Bewaar alle documenten voor toekomstig gebruik en geef ze, samen met het product, aan de volgende eigenaar, indien van toepassing. Bezoek onze website voor de meest recente versie van de gids onze eigenaar.

De volgende Waarschuwingen vindt u vaak terug in deze handleiding:

GEVAAR

Duidt op gevaren met een hoog risico die, indien niet vermeden, kunnen leiden tot de dood of tot ernstig letsel. Volg de instructies nauwlettend op,

om dit acuut gevaarlijke risico te vermijden.

WAARSCHUWING

Duidt op gevaren met een MIDDELMATIG risico die, indien niet vermeden, kunnen leiden tot de dood, ernstig of minder ernstig letsel, ofwel materiële schade.

BELANGRIJKE INSTRUCTIES

Bevatten aanvullende informatie die u zullen helpen bij onderhoud en omgang met het toestel.

EIGENLIJK GEBRUIK: Dit product is alleen bedoeld om de lucht in woonruimten te circuleren. Dit product is niet bedoeld voor commerciële of industriële toepassingen.

De fabrikant aanvaardt geen aansprakelijkheid voor schade veroorzaakt door het niet opvolgen van deze instructies door of oneigenlijk gebruik van het product. Door dergelijke handelingen vervalt de garantie.

WAARSCHUWING – Om het risico van brand, elektrische schokken en letsel aan personen te voorkomen, dienen bij gebruik van elektrische toestellen bepaalde elementaire voorzorgsmaatregelen altijd te worden opgevolgd, zoals de volgende:

WAARSCHUWING

Risico's voor kinderen en andere risicogroepen.

- Dit toestel mag worden gebruikt door kinderen vanaf 12 en personen met verminderde lichamelijke, zintuiglijke of geestelijke vermogens, of gebrek aan ervaring en kennis, indien ze onder toezicht staan of geïnstrueerd zijn over het gebruik van het toestel en begrijpen wat de risico's ervan zijn.
- Kinderen mogen nooit met het toestel spelen.
- Reiniging en onderhoud mag nooit door kinderen worden uitgevoerd die niet onder toezicht staan.
- Dit product en het verpakkingsmateriaal zijn geen speelgoed en moeten buiten het bereik van kinderen worden gehouden.

WAARSCHUWING

Risico door oneigenlijk gebruik van het toestel. Deze richtlijnen dienen te worden opgevolgd, om risico's voor mensen of schade aan eigendommen te voorkomen.

- Gebruik dit product NIET buiten of direct blootgesteld aan weersinvloeden.
- Gebruik dit apparaat NIET in tropische vochtige klimaten. Als het product van de kou naar een warme ruimte wordt gebracht (bijvoorbeeld tijdens transport), kan er condensatie optreden in het toestel. Laat het apparaat eerst op kamertemperatuur komen, voordat u het gaat gebruiken.
- Gebruik dit product NIET op natte oppervlakken. Gebruik dit product niet in een bad of douche en plaats het zodanig dat het niet in een bad, douche of pool kan vallen of op een andere manier in het water terecht kan komen.
- Dompel dit product NIET onder in water en laat geen water in het motorhuis druppelen.

- NIET gebruiken in de buurt van kachels, open haarden, ovens of andere warmtebronnen met hoge temperaturen.
- Dit product NIET te dicht bij gordijnen of andere losse textiele stoffen gebruiken, die in het product zouden kunnen worden getrokken, daardoor de luchtstroom blokkeren en schade aan de motor veroorzaken.
- Draag dit product NIET aan het snoer en gebruik het snoer niet als handvat omdat het de interne bedrading kan beschadigen. Trek de stekker niet uit het stopcontact door aan het snoer te trekken en breng het snoer niet op andere manier onder trekkracht. Trek aan de stekker, niet aan het snoer.
- Leg het snoer NIET onder het tapijt. Bedek het snoer niet met kleedjes, lopers, of soortgelijke vloerbedekkingen. Leg het snoer ook niet onder meubels of apparaten. Leg het snoer niet op plaatsen waar veel langs wordt gelopen, zodat er niemand kan struikelen. Om struikelgevaar te voorkomen dient het netsnoer veilig te worden opgerold/opgeborgen.
- Knoei of wijzig dit product op geen enkele manier.
- Zorg ervoor dat het netsnoer niet in contact komt

met water of natte locaties.

- Plaats het netsnoer niet in de buurt van warmtebronnen, zoals kachels of radiatoren.

ELEKTRISCHE AANSLUITING: Alleen een goed 230V ~50Hz stopcontact mag worden gebruikt voor aansluiting op netstroom.



GEVAAR

Risico van elektrische schok. Contact met draden of onderdelen die onder spanning kan mogelijk fataal zijn!

- Raak het product NIET aan met natte of vochtige handen.
- Gebruik de kachel NIET met een beschadigde snoer of stekker als de kachel niet goed werkt, of als hij is gevallen of op een andere manier beschadigd is geraakt. Doe de kachel weg of breng hem naar een geautoriseerd vakbedrijf om te worden nagekeken en/of gerepareerd.
- Als het voedings snoer beschadigd is, moet het, om risico te voorkomen, door de fabrikant, de dealer

of een vergelijkbaar vakkundig persoon worden vervangen.

- Rek de stroomkabel NIET en stel hem ook niet aan trekkracht bloot.
- Voorkom dat er vreemde voorwerpen in de in- of uitlaat zijde in de kachel terecht kunnen komen, omdat dit elektrische schok, kortsluiting en brand of schade aan het product zou kunnen veroorzaken.
- Schakel alles uit voordat u de stekker uit het stopcontact trekt. Haal de stekker uit het stopcontact als u het toestel voor langere tijd niet in gebruik hebt. Open de behuizing van het toestel NIET. Om het risico op schokken te voorkomen, moet alle service/ reparaties worden uitgevoerd door een Vornado Authorized Service Center. Er mogen alleen originele onderdelen worden gebruikt.
- Om veiligheidsredenen altijd de stekker van het toestel uit het stopcontact trekken tijdens een onweersbui.



WAARSCHUWING

Het risico van een onjuiste installatie. Deze

richtlijnen dienen te worden opgevolgd, om risico's voor mensen of schade aan eigendommen te voorkomen.

- Zorg ervoor dat het stopcontact goed toegankelijk blijft, zodat apparaat in geval van nood kan worden losgekoppeld.
- Om het risico van brand of elektrische schok te beperken, mag dit product niet samen met een externe snelheidsregeling worden gebruikt.
- Om het risico van brand, elektrische schok of persoonlijk letsel te beperken, niet in een open raam zetten.

Informatie met betrekking tot de EG-

conformiteitsverklaring Het product voldoet aan alle betreffende en noodzakelijke EG-richtlijnen, waaronder:

- Laagspanningsrichtlijn (LVD)
- Richtlijn Elektromagnetische Compatibiliteit (EMC)
- Energiegerelateerde Producten-richtlijn (ErP)
- Beperking van Gevaarlijke Stoffen-richtlijn (RoHS)
- Registratie, Evaluatie, Autorisatie en Beperking van Chemische stoffen (REACH)

De volledige conformiteitsverklaring is geregistreerd en kan worden verkregen via de importeur.



RECYCLING VERPAKKING De verpakking beschermt het apparaat tegen transportschade. De verpakkingsmaterialen zijn gekozen uit het oogpunt van hun milieuvriendelijkheid en zijn daarom recyclebaar.

- Verwijder alle verpakkingsmaterialen op een milieuvriendelijke manier.



WEEE Recycling

- **Verwijdering van afgedankte elektrische en elektronische apparatuur:** Deze markering geeft aan dat dit product nergens in de hele EU mag worden verwijderd samen met ander huishoudelijk afval. Recycle het op een verantwoorde manier om

duurzaam hergebruik van materialen mogelijk te maken en om mogelijke schade aan het milieu of de menselijke gezondheid door het dumpen van afval te voorkomen. U kunt uw verbruikte apparaat inleveren via de bekende recycle- en inzamelsystemen of neem contact op met de detailhandelaar waar het product is gekocht. Zij kunnen dit product dan milieuveilig laten recyclen.

EIGENSCHAPPEN

KRACHTIGE IP-54-CONFORME MOTOR
Stofbestendige motor met lange levensduur die de belastingen van elke werkplek aankan.

ZONDER GEREEDSCHAP TE ONTEREN

EXTRA LANG 2,4 m STROOMKABEL
Voldoende snoerlengte plus een volledig beveiligde stekker

SCHAKELAAR
Overgedimensioneerde handschoenvriendelijke dubbelschakelaar

WANDMONTEERBAAR
Optioneel aan de wand monteerbaar voor nog meer toepassingen

ANTI-SLIPVOETEN
Product blijft staan waar het is neergezet.



VINGERVRIENDELIJK ONTWERP
Houdt nieuwsgierige vingertjes buiten.

VERWIJDERBAAR ROOSTER
Voor eenvoudige reiniging.

ZWENKKOP
360° zwenkbare kop om de luchtstroom te sturen

INKLAPBARE STATIEFVOET
Snelle en eenvoudige opstelling, verwijdering & opslag

BEDIENINGSELEMENTEN

POWER AAN/UIT

Selecteer ventilatorsnelheid Hoog (III), Medium (II), Laag (I) of Uit. (O)



GEBRUIK

De EXO5 kan op drie verschillende manieren worden gebruikt.

1. STATIEFVOET



2. KLEM



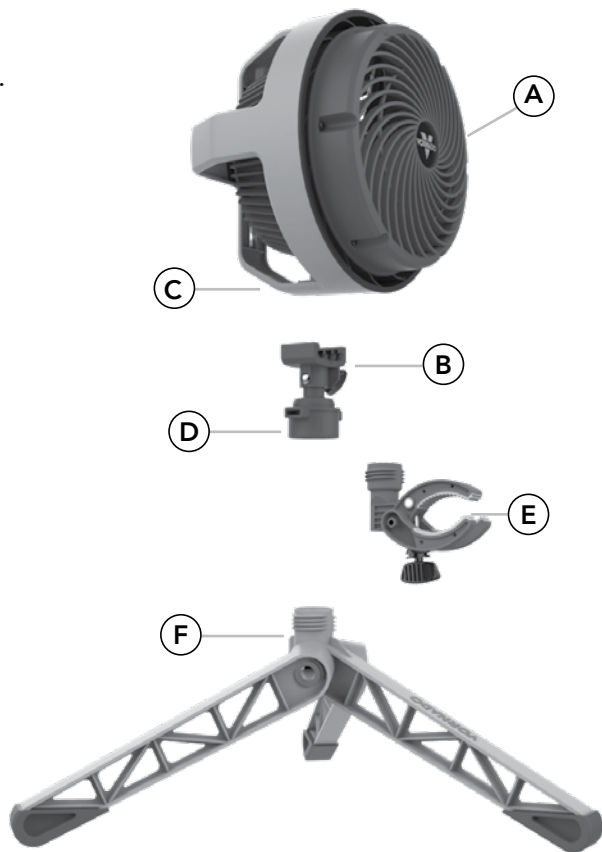
3. WANDMONTAGE



MONTAGE

De EXO5 kan op drie verschillende manieren worden gebruikt.

1. Sluit de vergrendelbare koppeling (B) aan op de EXO5-ventilatiekop (A) op een vlak gedeelte langs de rolkooi (C). Zorg ervoor dat de knop goed is vastgedraaid en dat de vergrendelbare koppeling (B) volledig aan de ventilatiekop (A) is bevestigd. Knijp het netsnoer niet tussen de vergrendelbare koppeling (B) en de ventilatiekop (A).
2. Om de ventilatiekop/vergrendelbare koppeling aan te sluiten op de klem (E) of op de statievoet (F), steekt u deze eenvoudig in de onderkant van de vergrendelbare koppeling (D) en draait u deze vast.
3. Om de klem (E) of de statievoet (F) te verwijderen, draait u ze weer los.

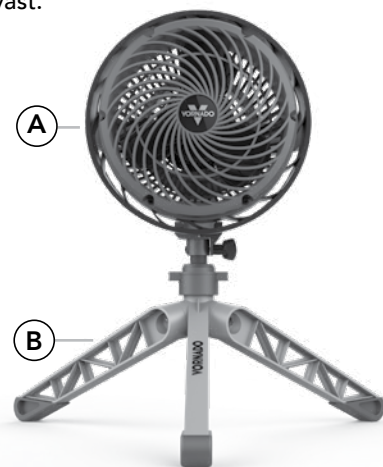


GEBRUIK

STATIEVOET VASTMONTEREN

1. Nadat u het product in elkaar hebt gezet, op een vlakke ondergrond neerzetten zoals hieronder getoond.
2. Om de hoek van de kanteling van de kop aan te passen, maak eenvoudig de verbinding tussen de ventilatorkop (A) en de statievoet (B) met een draai los, stel de gewenste hoek in en draai hem vervolgens weer vast.

NB: Het product moet worden gebruikt met de statievoet (B) in compleet uitgeschoven positie en volledig vergendeld aan de ventilatiekop (A).



NB: Bij beide bevestigingsopties moet het elektrische snoer zodanig liggen dat er niemand over kan struikelen of het snoer wordt losgetrokken. Vermijd plaatsen waar het gemakkelijk kan worden omgestoten.

KLEM VASTMONTEREN

1. Nadat het product in elkaar is gezet, de vergrendeling (C) van de klem (D) openen.
2. Plaats de klem (D) op een stevig oppervlak van hoogstens 20 cm dikte.
3. Sluit de vergrendeling (C) van de klem (D). Zorg ervoor dat de klem (D) volledig vastzit op een stevige ondergrond voordat u hem loslaat.

NB: NIET aan gladde of vette oppervlakken vastmaken, omdat het product dan los kan raken. Zorg ervoor het oppervlak stevig genoeg is om het gewicht van het product te dragen

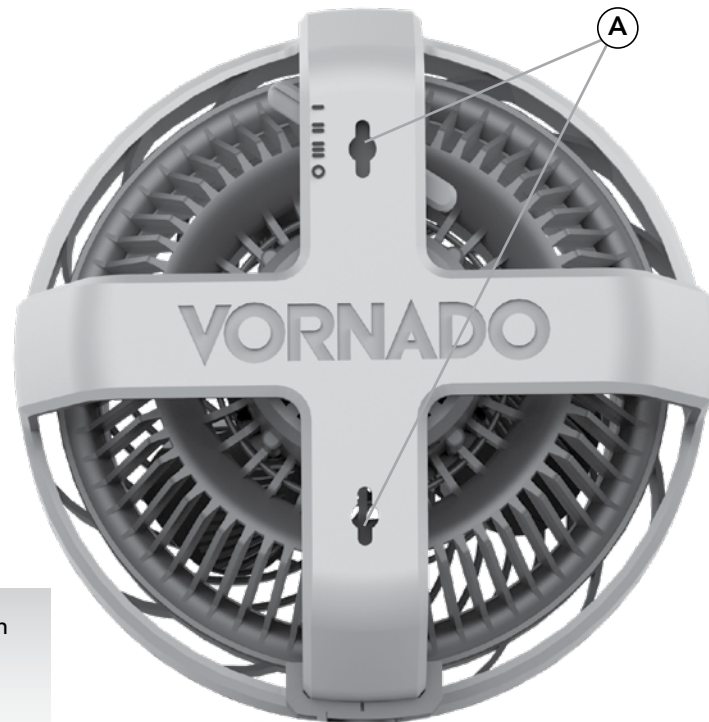


GEBRUIK

WANDMONTAGE

1. Vind de montagegaten (A) aan de achterkant van het product.
 2. Markeer twee cirkels op de muur waar het product moet worden gemonteerd. De cirkels moeten 12,5 cm van elkaar verwijderd zijn van middelpunt tot middelpunt.
- NB: Wij raden aan de EXO5 aan een stevig wandgedeelte of op een balk te monteren. Hang het product **NIET** aan het plafond. Gebruik gipsplaatankers of pluggen indien nodig.
3. Schroef 2 platkopschroeven (nr. 10) in de muur (schroeven niet meegeleverd). Schroeven moeten een verticale belasting van 4,5 kg kunnen dragen.
 4. Laat ongeveer 6 mm van elke schroef uitsteken.
 5. Plaats de brede gedeelten van de montagegaten over de koppen van de 2 schroeven.
 6. Schuif het product nu naar beneden totdat de schroeven zich in het smalle gedeelte van de gaten bevinden en het product veilig is bevestigd.

NB: Hang het product aan een stevig wandgedeelte met behulp van schroeven die groot genoeg zijn om het product te dragen. Wees voorzichtig dat u het product niet ophangt op een manier die de normale werking van de ventilator stoort of het snoer beschadigt. Het elektrische snoer moet zodanig liggen dat er niemand over kan struikelen of het snoer wordt losgetrokken. Vermijd plaatsen waar het gemakkelijk kan worden omgestoten.




REINIGEN

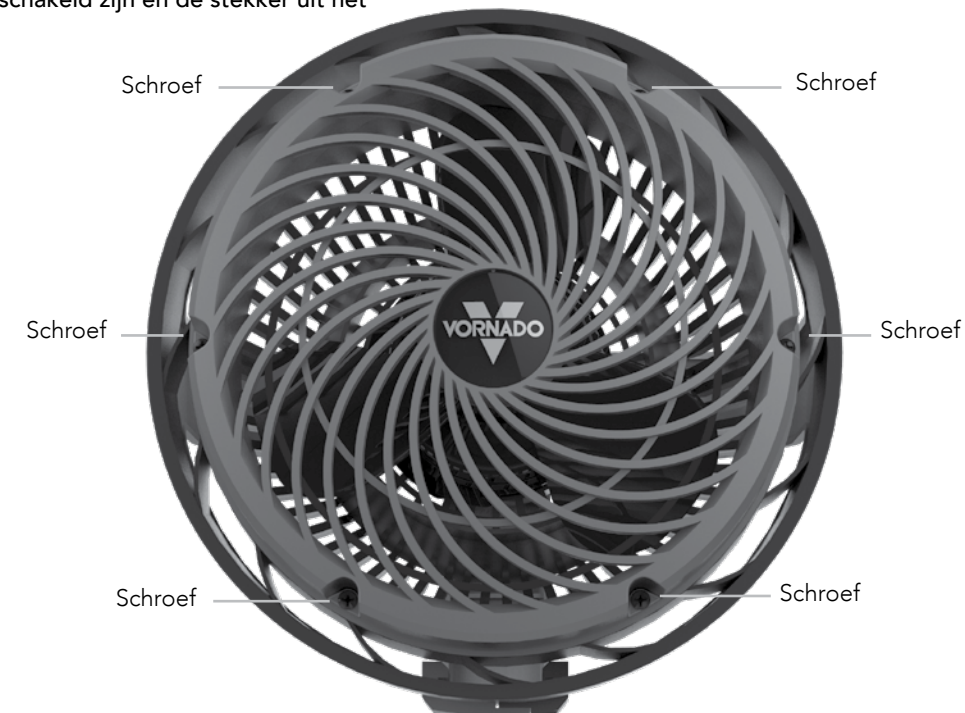
ROOSTER VERWIJDEREN *Schroevendraaier vereist.*

WAARSCHUWING: Wegens het risico van elektrische schok en persoonlijk letsel bij het verwijderen van het rooster, moet de ventilator uitgeschakeld zijn en de stekker uit het stopcontact zijn getrokken.

1. Verwijder de 6 schroeven aan de voorkant van het rooster.
2. Rooster afstoffen of wassen met een mild afwasmiddel. Stop het rooster niet in de vaatwasser. De overmatige hitte kan het plastic vervormen.
3. Voor hermontage: lijn de gaten goed uit en draai alle schroeven weer vast.

 Gebruik de kleine borstel op uw gewone stofzuiger om opgehoopt stof weg te zuigen uit het rooster op de voorkant en uit de inlaatroosters.

NB: De motor wordt permanent gesmeerd en hoeft niet te worden nagesmeerd.

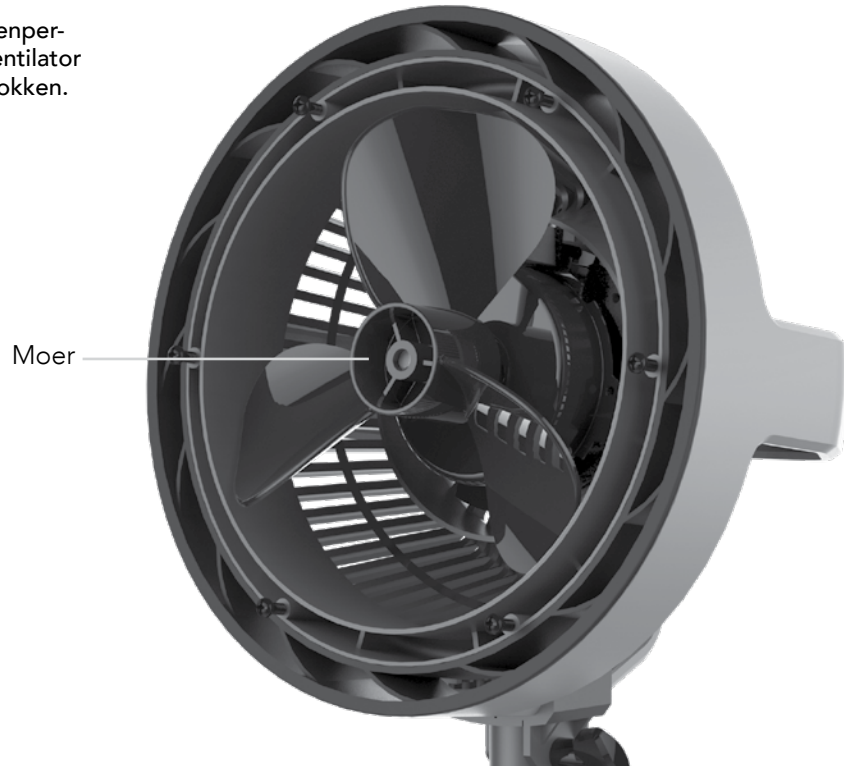


REINIGEN

VENTILATORBLAD VERWIJDEREN

WAARSCHUWING: Wegens het risico van elektrische schok en persoonlijk letsel bij het verwijderen van het rooster, moet de ventilator uitgeschakeld zijn en de stekker uit het stopcontact zijn getrokken.

1. Verwijder eerst de moer van de as door hem **rechtsom te draaien**. Verwijder de ring. Trek het blad van de as.
2. Veeg het blad schoon met een vochtige doek. Als de circulator wordt gebruikt in een vette omgeving, zoals een keuken, gebruik dan milde zeep of een normaal huishoudelijk schoonmaakmiddel. Gebruik geen oplosmiddelen. Stop het blad niet in de vaatwasser. De overmatige hitte kan het plastic vervormen.
3. Opnieuw monteren - Let op dat de platte kant van de as zich aan de betreffende platte kant van het gat in het blad bevindt. Duw het blad helemaal op de as tot aan de aanslag. **Gebruik geen hamer omdat dit kan leiden tot lagerschade**. Plaats ring en draai moer weer vast.



PROBLEMEN VERHELPE

PROBLEEM

Toestel gaat niet aan.

MOGELIJKE OORZAAK EN OPLOSSING

Het toestel is niet aan het net aangesloten. Stop de stekker in het stopcontact. Alleen bij model 683DC - Zorg ervoor dat het netsnoer is aangesloten op de voeding en het gelijkstroomkabel is aangesloten op de circulator.

Controleer of de ventilatorsnelheid is geselecteerd.

Toestel beschadigd of defect. Stop met het gebruik ervan en trek de stekker eruit. Neem contact op met de klantenservice voor assistentie.

Het stopcontact is versleten of beschadigd. Probeer een ander stopcontact of neem contact op met een elektricien.

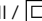
Luchtstroming is zwak of traag.

Het toestel staat op een lage stand. Stel het op een hogere stand in.

Luchtstroom wordt geblokkeerd. Verwijder blokkerend voorwerp.

Stuur de richting van de luchtstroom naar de gebruiker.

EXTRA PRODUCTINFORMATIE

Beschrijving	Symbol	Unit	Waarde
Invoerspanning		V	220 - 240
Netstroomfrequentie		Hz	50
Beschermingsklasse		Class	II / 
Afmetingen		W x H x D (cm)	47.8 x 50 x 42.7
Gewicht		Ca. (g)	2712
Vermogen ventilator	P	Watt (W)	35.35
Maximaal ventilatordebiet	F	m ³ /min	21.87
Servicewaarde	SV	(m ³ /min)/W	0.62
Energieverbruik in stand-by	P _{SB}	Watts (W)	0.00
Geluidsniveaus	L _{WA}	dB(A)	67.8
Maximale luchtsnelheid	c	m/sec	3.219
Meetstandaard voor servicewaarde	IEC 60879: 1986 corr(1992) GB/T 13380-2007		
Contactinformatie	Vornado Air LLC 415 East 13th Street Andover, KS 67002 USA		



BEPERKTE GARANTIE*

We gaan ervan uit dat dit product perfect is. Als u niet tevreden bent met dit product, laat het ons dan weten.

*Beperkte garantie en reparatie-algemene verkoopvoorwaarden

U ontvangt een vrijwillige vijf jaar fabrieksgarantie van datum van aankoop van materialen en afwerking van het product. Deze verlengde fabrieksgarantie is geldig voor alle klanten in Europa. De wettelijke garantie-aanspraken blijven onaangetast door deze aanvullende verordening.

De fabrikant aanvaardt geen aansprakelijkheid voor schade veroorzaakt door het niet opvolgen van deze instructies, of door oneigenlijk gebruik van het product. Dergelijke omgang met het product maakt de garantie ongeldig.

Deze garantie is niet van toepassing op defecten die voortvloeien uit misbruik van het product, aanpassingen, wijzigingen, reparaties aan, of service van het product door iemand anders dan Vornado of een geautoriseerd Service Center zelf, onjuist gebruik, onjuist onderhoud, commercieel gebruik van het product, schade ontstaan tijdens verzending of die kan worden toegeschreven aan force majeure.

Onbevoegde productaanpassingen, reparatie door een niet-geautoriseerd reparatiecentrum, of het gebruik van niet-goedgekeurde vervangende onderdelen wordt afgeraden en eventuele gevolgen worden niet gedekt door de ondersteunende diensten of productgaranties.

Uitgesloten zijn schade door oneigenlijk gebruik of door het niet-opvolgen

van de handleiding. Bijvoorbeeld, maar niet beperkt tot: Als het product is blootgesteld aan vocht, extreme temperaturen of omstandigheden, corrosie, oxidatie, indien er vloeistof op het apparaat terecht is gekomen, indien chemische stoffen op het product hebben ingewerkt of door andere gebeurtenissen die niet binnen de redelijke invloedssfeer van de fabrikant liggen.

Een voorwaarde voor bewerking in de serviceafdeling is het indienen van een bon of factuur.

Alle technische informatie, gegevens en instructies voor de installatie, aansluiting en bediening in deze gebruiksaanwijzing zijn de nieuwste beschikbare informatie bij het ter perse gaan.

De inhoud van deze handleiding kan enigszins afwijken van het eigenlijke product. Let op eventuele bijlagen.

Alle bedrijfsnamen en productnamen zijn handelsmerken van de respectieve eigenaars. © Alle rechten voorbehouden.

Verwijzen naar de achterzijde van de eigenaar van de gids voor de importeur informatie en uw Authorised Service Center.



Ontwerp, constructie en support uit de Verenigde Staten.

© 2018 Vornado Air LLC Andover, KS 67002 U.S. Patent aangevraagd. Specificaties kunnen zonder voorafgaande aankondiging worden gewijzigd. Vornado® is een handelsmerk van Vornado Air LLC.

Noi ci aspettiamo
che questo prodotto
sia **PERFETTO**.

Se non è, lo
MIGLIOREREMO.

vornado-deutschland.de
+49 (0) 531 224356-82
service@vornado-deutschland.de

INDICE

Istruzioni importanti.....	74
Caratteristiche.....	79
Comandi	80
Come Utilizzare.....	81
Assemblaggio	82
Pulizia	85
Risoluzione problemi	87
Informazioni Aggiuntive SULL'apparecchio	88
Garanzia	89

ISTRUZIONI IMPORTANTI

LEGGERE TUTTE LE ISTRUZIONI PRIMA DI UTILIZZARE.

Il presente manuale utente e ogni altro inserto aggiuntivo sono da considerarsi parti del prodotto. Contengono informazioni importanti relative alla sicurezza, all'utilizzo e allo smaltimento. Prima di utilizzare l'apparecchio, familiarizzare con tutte le istruzioni operative e di sicurezza. Conservare tutti i documenti come riferimento futuro e consegnarli, insieme al prodotto, nel caso di cessione ad altra persona. Consultare il nostro sito per la versione più aggiornata del manuale utente.

I seguenti messaggi d'avvertimento si trovano nel presente manuale:

PERICOLO

Indica un pericolo con un ALTO livello di rischio che, se non evitato, può causare la morte o danni seri. Prestare particolare attenzione a

tutte le istruzioni date per evitare questo rischio molto pericoloso.

AVVERTENZA

Indica un rischio di livello MEDIO che, se non evitato, potrebbe provocare morte, danni seri, danni minori o lievi o potenziali danni a cose.

ISTRUZIONI IMPORTANTI

Indica le informazioni aggiuntive che aiuteranno nella manipolazione del dispositivo.

USO PREVISTO: Questo apparecchio è stato progettato per fare circolare l'aria solo negli spazi vitali interni. Questo apparecchio non è stato progettato per uso commerciale o industriale.

Il produttore non si assume alcuna responsabilità per danni causati dal mancato rispetto delle istruzioni o da un uso improprio dell'apparecchio. Una qualsiasi di tali azioni invaliderà la garanzia del prodotto.

AVVERTENZA – Durante l'utilizzo di apparecchi elettrici, devono essere seguite delle precauzioni di base per ridurre il rischio di incendio, scossa elettrica e danni alle persone, incluso quanto segue:

AVVERTENZA

Rischio per i bambini e altre persone a rischio.

- L'apparecchio può essere utilizzato da bambini di almeno 12 anni e da persone con ridotte capacità fisiche, sensoriali o mentali, o che non abbiano esperienza o conoscenza dell'apparecchio, a condizione che lo stesso sia utilizzato sotto la supervisione e l'istruzione di un adulto sull'uso del prodotto in modo sicuro e comprendendo i rischi a cui si è soggetti.
- I bambini non devono giocare con l'apparecchio.
- La pulizia e la manutenzione dell'utente non devono essere effettuate da bambini senza la supervisione di un adulto.
- L'apparecchio e il materiale dell'imballaggio non sono giocattoli e devono essere tenuti lontano

dalla portata dei bambini.

AVVERTENZA

Rischio da uso e manipolazione non intenzionali. Prestare attenzione a seguire queste linee guida per evitare rischi a persone o cose.

- Non utilizzare questo apparecchio all'esterno o esposto direttamente alle condizioni atmosferiche.
- Non utilizzare questo dispositivo in climi tropicali umidi. Se l'apparecchio passa da una zona fredda ad una zona calda (es. durante il trasporto), è possibile che si formi della condensa all'interno dell'unità. Lasciare che il dispositivo raggiunga la temperatura ambiente, prima di utilizzarlo.
- Non utilizzare l'apparecchio su superfici bagnate. Non utilizzare l'apparecchio in una vasca da bagno, una doccia o in una zona dove possa cadere in una vasca da bagno, una lavanderia, una piscina o in altro contenitore di acqua.
- Non immergere l'apparecchio in acqua e non permettere che l'acqua goccioli nell'alloggiamento

del motore.

- Non utilizzare nei pressi di forni, camini, stufe o altre fonti di calore ad alta temperatura.
- Non posizionare l'apparecchio troppo vicino a tende o altri tessuti in quanto potrebbero impigliarsi nell'apparecchio, interrompendo il flusso d'aria e danneggiando il motore.
- Non spostare l'apparecchio tirandolo dal cavo e non utilizzare il cavo come una maniglia in quanto può danneggiarsi l'impianto elettrico interno. Non disconnettere l'apparecchio tirando il cavo o mettendo il cavo in tensione. Per disconnettere, afferrare la spina, non il cavo di alimentazione.
- Non fare passare il cavo sotto la moquette. Non coprire il cavo con tappetini, passatoie o coperture simili. Non fare passare il cavo sotto mobili o sotto apparecchi. Sistemare il cavo lontano da zone di passaggio o dove si possa inciampare. Per evitare il rischio di inciampare, avvolgere/conservare in maniera sicura il cavo di alimentazione.
- Non manomettere o modificare questo prodotto in alcun modo.
- Non permettere che il cavo di alimentazione entri in contatto con acqua o luoghi bagnati.

- Non posizionare il cavo di alimentazione vicino a fonti di calore, come termosifoni o radiatori.

COLLEGAMENTO ELETTRICO: Soltanto una presa adatta di 230V~50Hz CA può essere utilizzata per collegare alla rete di alimentazione.

PERICOLO

Rischio di scossa elettrica. Il contatto con fili o componenti sotto tensione potrebbe essere potenzialmente mortale!

- Non toccare l'apparecchio con mani bagnate o umide.
- Non mettere in funzione qualsiasi apparecchio in presenza di un cavo o di una spina danneggiata o dopo aver notato che l'apparecchio funziona male, è caduto o è stato in qualche modo danneggiato. Smaltire l'apparecchio o restituirlo al centro di assistenza autorizzato per una verifica e/o una riparazione per evitare qualsiasi rischio.
- Se il cavo di alimentazione è danneggiato, deve essere sostituito dal fornitore o dal suo agente di assistenza o dalle persone parimenti qualificate per

evitare un rischio.

- Non allungare il cavo di alimentazione e non mettere il cavo in tensione.
- Non inserire o permettere ad oggetti estranei di entrare in qualsiasi apertura in ingresso o in uscita in quanto ciò potrebbe provocare scossa elettrica, incendio o danno all'apparecchio.
- Spegnere tutti i comandi prima di scollegare. Disconnettere dalla presa a muro se non si utilizza per lunghi periodi di tempo.
- Non aprire l'alloggiamento dell'apparecchio. Per evitare il rischio di scossa elettrica, tutta l'assistenza e/o le riparazioni devono essere effettuati da un centro di assistenza autorizzato Vornado. Utilizzare solo parti di ricambio originali.
- Per motivi di sicurezza, scollegare l'apparecchio in caso di temporale.

AVVERTENZA

Rischio da installazione errata. Prestare attenzione a seguire queste linee guida per evitare rischi a persone o cose.

- Assicurarsi che la presa a muro sia facilmente accessibile in modo che l'apparecchio possa essere disconnesso in caso di emergenza.
- Per ridurre il rischio di incendio o di scossa elettrica, non utilizzare questo prodotto con qualsiasi altro dispositivo di controllo velocità esterno (stato solido).
- Per ridurre il rischio di incendio, scossa elettrica e danni alle persone, non utilizzare su una finestra.

Informazioni relative alla dichiarazione di conformità CE

Questo apparecchio è conforme a tutte le relative e necessarie direttive della CE, comprese le seguenti:

- Low Voltage Directive (LVD)
- Electromagnetic Compatibility Directive (EMC)
- Energy Related Product Directive (ErP)
- Restriction of Hazardous Substances Directive (RoHS)
- Registration, Evaluation, Authorisation, and Restriction of Chemicals (REACH)

La dichiarazione di conformità completa è stata

registrata e può essere richiesta all'importatore.



RICICLAGGIO DELL'IMBALLAGGIO:

L'imballaggio protegge l'apparecchio dai danni di trasporto. I materiali dell'imballaggio sono stati selezionati dal punto di vista della loro affidabilità ambientale e della tecnologia di smaltimento e sono per questo riciclabili.

- Smaltire tutti i materiali dell'imballaggio in maniera responsabile dal punto di vista ambientale.



Riciclaggio apparecchiature elettriche ed elettroniche

- **Smaltimento dei rifiuti di apparecchiature elettriche ed elettroniche:** Questo marchio indica che il prodotto non deve essere smaltito con gli altri rifiuti domestici nei paesi dell'UE. Per prevenire un possibile danno all'ambiente o alla salute umana derivante da uno smaltimento

incontrollato, riciclare in maniera responsabile per promuovere il riutilizzo sostenibile delle risorse materiali. Per restituire il dispositivo usato, servirsi dei sistemi di reso e di raccolta o contattare il rivenditore presso il quale il prodotto è stato acquistato. Questi ultimi possono ritirare il prodotto per realizzare un riciclaggio sicuro per l'ambiente.

CARATTERISTICHE

POTENTE MOTORE IP-54

Motore di lunga durata, resistente alla polvere e ai rigori del luogo di lavoro.

MONTAGGIO SENZA ATTREZZI

CAVO DI ALIMENTAZIONE EXTRA LUNGO 2,4m (8")

Ampia lunghezza del cavo con in più un collegamento a parete completamente sicuro

INTERRUTTORE A LEVA

Interruttore a leva doppio sovradimensionato utilizzabile con un guanto

MONTAGGIO A PARETE

Opzione montaggio a parete per una maggiore versatilità

PIEDINI ANTISCIVOLO

L'apparecchio rimarrà dove lo mettete.



DESIGN CON PROTEZIONE DITA
Resiste alle dita curiose.

GRIGLIA RIMOVIBILE
Per pulizia facile.

TESTA ROTANTE
Testa rotante a 360° per dirigere l'aria dove c'è bisogno

BASE TREPPIEDE PIEGHEVOLE
Montaggio, smontaggio e conservazione rapidi e facili

COMANDI

ACCESO/SPENTO
Selezionare velocità
del ventilatore Alta (III),
Media (II), Bassa (I) o
spegnimento. (O)



COME UTILIZZARE

EXO5 può essere utilizzato in una delle tre diverse modalità.

1. BASE TREPPIEDE



2. MORSETTO



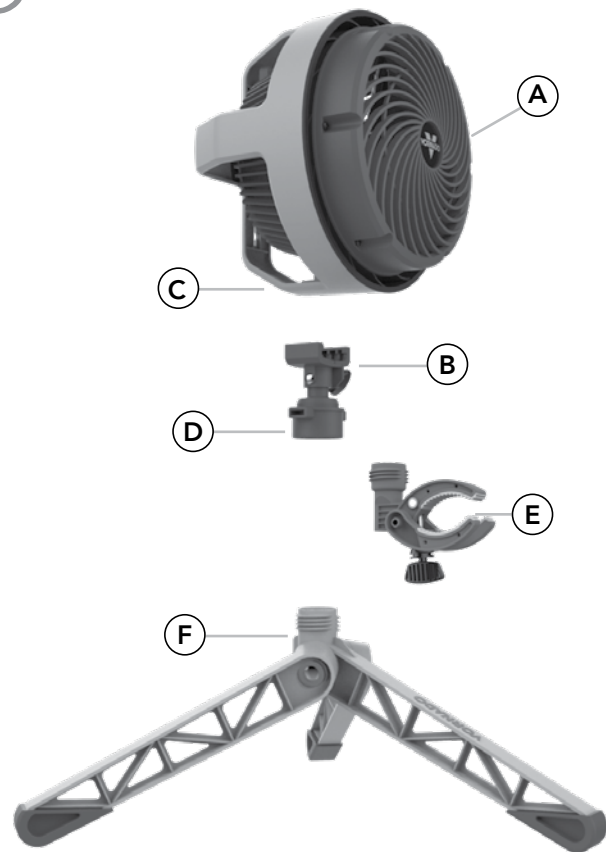
3. MONTAGGIO A PARETE



ASSEMBLAGGIO

EXO5 può essere utilizzato in una delle tre diverse modalità.

1. Collegare il giunto di bloccaggio (B) alla testa del ventilatore EXO5 (A) in qualsiasi posizione piatta lungo la gabbia di rotolamento (C). Prima di continuare, assicurarsi che la manopola sia serrata saldamente ed il giunto di bloccaggio (B) completamente fissato alla testa del ventilatore (A). Non schiacciare il cavo di alimentazione fra il giunto di bloccaggio (B) e la testa del ventilatore (A).
2. Per collegare testa del ventilatore/giunto di bloccaggio assemblare al morsetto (E) o alla base treppiede (F), inserire semplicemente nel lato inferiore del giunto di bloccaggio (D) e ruotare fino a fissarlo.
3. Per rimuovere il morsetto (E) o la base treppiede (F), ruotare semplicemente fino ad allentarlo.

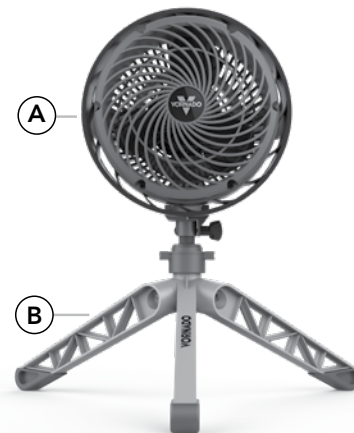


COME UTILIZZARE

ATTACCO BASE TREPPIEDE

1. Dopo l'assemblaggio dell'apparecchio, posizionare l'unità su una superficie piana e a livello come indicato di seguito.
2. Per regolare l'angolo di inclinazione della testa, semplicemente allentare il collegamento fra la testa del ventilatore (A) e la base treppiede (B) con una rotazione, regolare secondo l'angolo desiderato e poi ruotare per serrare di nuovo.

Nota:
L'apparecchio deve essere utilizzato con la base treppiede (B) nella posizione completamente estesa e completamente fissato alla testa del ventilatore (A).



Nota: Per entrambe le opzioni di attacco, sistemare il cavo elettrico in modo sicuro in modo tale che non venga calpestato o tirato. Evitare di posizionare l'apparecchio dove potrebbe essere urtato facilmente.

ATTACCO MORSETTO

1. Dopo avere assemblato l'apparecchio, ruotare la manopola di bloccaggio della camma (C) per aprire il morsetto (D).
2. Posizionare il morsetto (D) su una superficie solida con uno spessore massimo di 20 cm. (2").
3. Ruotare la manopola di bloccaggio della camma (C) per serrare. Assicurarsi che il morsetto (D) sia completamente agganciato ad una superficie solida prima di rilasciare.

Nota: NON agganciare su superfici scivolose o oleose in quanto ciò può fare staccare l'apparecchio. Assicurarsi che la superficie solida possa sostenere il peso dell'apparecchio.



COME UTILIZZARE

INSTALLAZIONE MONTAGGIO A PARETE

1. Localizzare i fori principali (A) nella parte posteriore dell'apparecchio.
2. Individuare e segnare due cerchi sulla parete dove l'apparecchio sarà montato. Tra i due centri dei cerchi deve esserci una distanza di 12,7 cm. (5").

NOTA: Si raccomanda di montare EXO5 su una superficie solida o su un montante a parete. NON appendere l'apparecchio al soffitto. Utilizzare tasselli per cartongesso se non è disponibile un montante.

3. Inserire con il trapano 2 viti a testa piatta n.10 nella parete (viti non incluse). Le viti devono essere adatte a sostenere ciascuna il peso in verticale di 4,5 kg. (10 libbre).
4. Lasciare circa 6 millimetri (¼") di ogni vite a vista.
5. Posizionare le porzioni ampie dei fori principali sulle teste delle 2 viti.
6. Fare scorrere l'apparecchio verso il basso fino a quando le viti si troveranno all'interno della porzione stretta dei fori principali e l'apparecchio sarà fissato alla superficie.

Nota: Appendere l'apparecchio da una posizione resistente utilizzando viti grandi che possano sostenerlo. Fare attenzione a non appendere l'apparecchio in modo tale da impedire il funzionamento normale del ventilatore o da danneggiare il cavo. Sistemare il cavo elettrico in modo sicuro in modo tale che non venga calpestato o tirato. Evitare di posizionare l'apparecchio dove potrebbe essere urtato facilmente.




PULIZIA

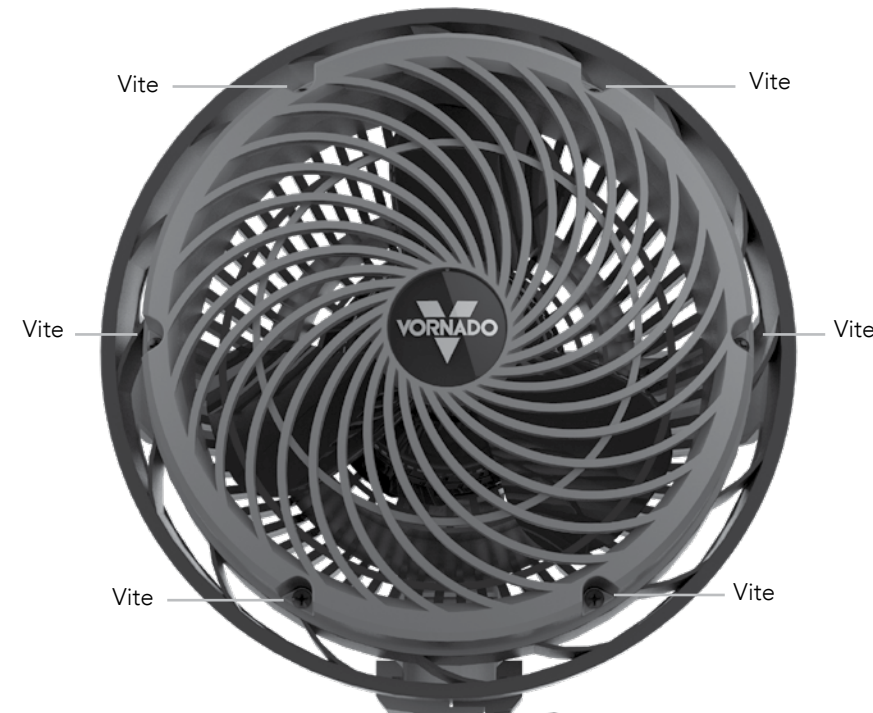
RIMOZIONE DELLA GRIGLIA *E' necessario un cacciavite.*

AVVERTENZA: Per ridurre il rischio di scosse elettriche e di danni alle persone, assicurarsi che il ventilatore sia spento e disconnettere il circolatore prima di rimuovere la griglia.

1. Rimuovere le 6 viti posizionate sulla parte anteriore della griglia.
2. Spolverare o lavare la griglia frontale con un detersivo neutro per lavastoviglie. Non mettere la griglia in lavastoviglie. Il calore eccessivo può deformare la plastica.
3. Per riattaccare - allineare i 6 fori delle viti e riposizionare tutte le viti.

 Utilizzare l'accessorio spazzola sul vostro aspirapolvere domestico per aspirare tutta la polvere accumulata sulla griglia frontale e sulle prese d'aria.

Nota: Il motore è stato lubrificato in maniera permanente e non richiede ulteriore lubrificazione.

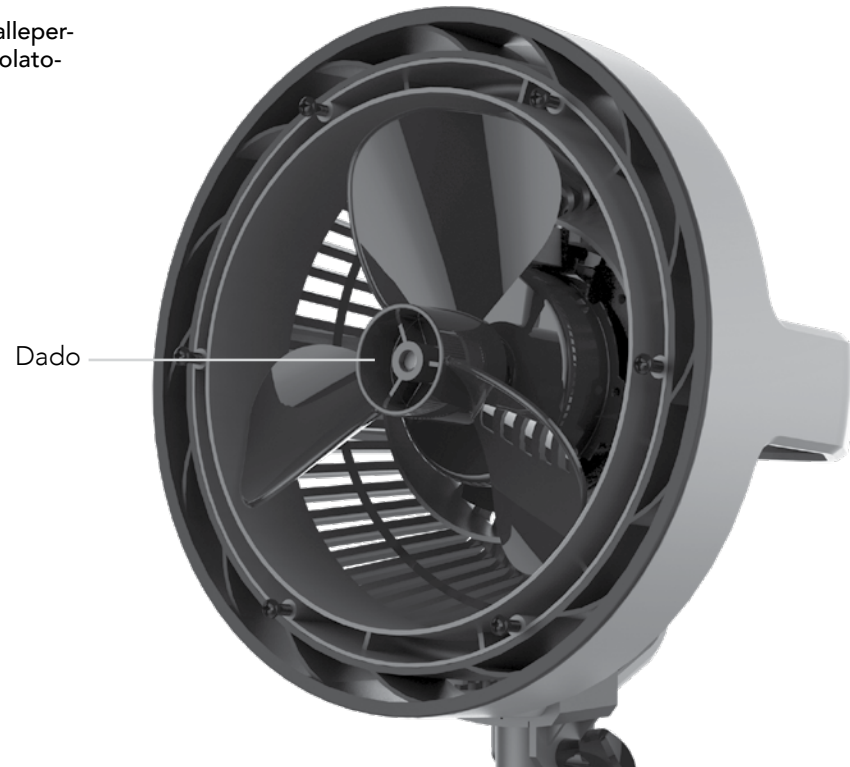


PULIZIA

RIMOZIONE DELLA LAMA

AVVERTENZA: Perridurreilrischiodiscoseeelettricheedidannialeper-
sone,assicurarsicheilventilatoresiaspentoedisconnettereilcircolato-
reprimadirimuoverelagriglia.

1. Prima di tutto, rimuovere il dado dall'albero girando il dado **in senso orario** to loosen. per allentarlo.
Rimuovere la rondella. Tirare la lama fuori dall'albero.
2. Pulire la lama con un panno umido. Se il vostro circolatore è utilizzato in un ambiente grasso, come una cucina, può essere necessario un sapone neutro o un comune detergente per la casa. Non utilizzare solventi. Non mettere la lama in lavastoviglie. Il calore eccessivo può deformare la plastica.
3. Per riagganciare - assicurarsi che il lato piatto dell'albero si allinei direttamente con il lato piatto corrispondente sulla presa della lama. Spingere la lama fino all'albero fino in fondo. **Non utilizzare un martello poiché potrebbe provocare danni.** Rimontare la rondella ed il dado.



RISOLUZIONE PROBLEMI

PROBLEMA

CAUSA E SOLUZIONE POSSIBILI

L'apparecchio non si accende.

L'apparecchio non è collegato alla rete. Collegare il cavo di alimentazione alla presa elettrica.

Assicurarsi che sia stata selezionata l'impostazione velocità del ventilatore dell'apparecchio.

L'apparecchio è danneggiato o necessita di riparazione. Non utilizzare e disconnettere. Contattare il servizio clienti per assistenza.

La presa è consumata o danneggiata. Provare un'altra presa o contattare un elettricista qualificato.

Il flusso d'aria è debole o lento.

L'apparecchio è fermo all'impostazione di bassa velocità. Regolare ad una impostazione più alta di velocità.

Il flusso d'aria è ostruito. Rimuovere l'ostruzione.

Regolare la direzione del flusso d'aria verso l'utente.

INFORMAZIONI AGGIUNTIVE SULL'APPARECCHIO

Descrizione	Simbolo	Unità	Valore
Tensione in entrata		V	220 - 240
Frequenza di tensione della rete elettrica		Hz	50
Classe di protezione		Class	II / 
Dimensioni		W x H x D (cm)	47.8 x 50 x 42.7
Peso		Approx. (g)	2712
Potenza in ingresso del ventilatore	P	Watts (W)	35.35
Portata massima del ventilatore	F	m ³ /min	21.87
Valore servizio	SV	(m ³ /min)/W	0.62
Consumo potenza di standby	P _{SB}	Watts (W)	0.00
Livello suono emesso	L _{WA}	dB(A)	67.8
Velocità massima dell'aria	c	m/sec	3.219
Misurazione standard per valore di servizio	IEC 60879: 1986 corr(1992) GB/T 13380-2007		
Dettagli di contatto per avere ulteriori informazioni	Vornado Air LLC 415 East 13th Street Andover, KS 67002 USA		



GARANZIA LIMITATA*

Noi ci aspettiamo che questo prodotto sia perfetto. Se non siete soddisfatti di questo prodotto, fatecelo sapere.

*Limitata condizioni e termini di garanzia e riparazione

Si riceverà una garanzia di cinque anni volontaria dalla data di acquisto su materiali e lavorazione del prodotto. La garanzia del produttore estesa è valida per tutti i clienti in Europa. Le richieste di garanzia legale non sono interessate da questo regolamento supplementare.

Il produttore non si assume alcuna responsabilità per danni causati dal mancato rispetto delle istruzioni o da un uso improprio dell'apparecchio. Una qualsiasi di tali azioni invaliderà la garanzia del prodotto.

Tale garanzia non si applicherà ai difetti che risultino da cattivo uso del Prodotto, modifiche, alterazioni, riparazioni o manutenzione del Prodotto da parte di personale diverso da Vornado o non autorizzato da Vornado, maltrattamento, manutenzione impropria, uso commerciale del Prodotto, danni che si verificano durante la spedizione o che sono attribuiti a forza maggiore.

Si raccomanda di non effettuare alcuna modifica non autorizzata al prodotto, di non farlo riparare da un centro non autorizzato, di non utilizzare parti di ricambio non approvate. In tali casi, le conseguenze non saranno coperte dai servizi di assistenza o dalle garanzie del prodotto.

Le esclusioni sono costituite da quei danni causati da uso improprio o uso del

prodotto non conforme a quello previsto dal manuale. Ad esempio, a titolo indicativo ma non esaustivo: se il prodotto è esposto a umidità, temperature estreme, condizioni ambientali avverse, corrosione, ossidazione, se vengono rovesciati liquidi sopra il dispositivo, se sostanze chimiche vengono a contatto con l'apparecchio o se si verificano altre condizioni che non sono direttamente imputabili al produttore.

Per l'accettazione da parte del servizio di assistenza è necessario fornire una ricevuta o una fattura.

Tutte le informazioni tecniche, i dati e le istruzioni per l'installazione, il collegamento ed il funzionamento contenuti in queste istruzioni per l'uso corrispondono alle ultime informazioni disponibili al momento della stampa.

I contenuti di questo manuale possono differire leggermente dal prodotto reale. Osservare tutte le integrazioni aggiuntive.

Tutti i nomi di società e prodotti sono marchi di fabbrica dei loro rispettivi proprietari. © Tutti i diritti riservati.

Consultare il retro copertina del manuale di istruzioni per informazioni l'importatore e il vostro centro di assistenza autorizzato.



Ideazione e progettazione U.S.A.

© 2018 Vornado Air LLC Andover, KS 67002 U.S. Domanda di brevetto depositata. Specifiche soggette a modifiche senza preavviso. Vornado® è un marchio di fabbrica di proprietà di Vornado Air LLC.

Esperamos que
este produto
seja **PERFEITO**.

Se ele não for,
VAMOS consertá-lo.

vornado-deutschland.de
+49 (0) 531 224356-82
service@vornado-deutschland.de

ÍNDICE

Instruções Importantes.....	92
Funções.....	97
Controles.....	98
Como Usar.....	99
Montagem.....	100
Limpeza.....	103
Resolução de Problemas.....	105
Informações Adicionais do Produto.....	106
Garantia.....	107

INSTRUÇÕES IMPORTANTES

LEIA TODAS AS INSTRUÇÕES ANTES DE USAR.

Este manual do proprietário e quaisquer outros folhetos adicionais são considerados parte do produto. Eles contêm informações importantes sobre segurança, uso e descarte. Antes de usar o produto, favor se familiarizar com todas as instruções operacionais e de segurança. Favor manter todos os documentos para referência futura e repassar os documentos, juntamente com o produto, para qualquer futuro proprietário. Favor consultar nosso website para ver a versão mais atual de nosso manual do proprietário.

As seguintes mensagens de Advertência são usadas ao longo deste guia:

PERIGO

Indica um ALTO nível de risco que, se não for evitado, pode resultar em lesão grave ou morte. Favor prestar atenção especial a quaisquer

instruções dadas, a fim de evitar esse enorme risco.

CUIDADO

Indica um MÉDIO nível de risco que, se não for evitado, pode resultar em morte, lesão grave, lesão pequena ou moderada ou danos materiais em potencial.

INSTRUÇÕES IMPORTANTES

Indicam informações adicionais que ajudarão no manuseio do aparelho.

USO PRETENDIDO: Este produto destina-se a circular o ar apenas em espaços residenciais fechados. Este produto não se destina a aplicações comerciais ou industriais.

O fabricante não se responsabiliza por danos causados pelo não seguimento destas instruções ou pelo uso impróprio do produto. Ações do tipo

poderão invalidar a garantia do produto.

CUIDADO – Ao usar aparelhos elétricos, precauções básicas devem sempre ser seguidas a fim de reduzir o risco de incêndio, choque elétrico e lesões pessoais, incluindo:

CUIDADO

Risco para crianças e outras pessoas em grupos de risco.

- Este aparelho pode ser usado por crianças acima de 12 anos de idade e por pessoas com capacidade física, sensorial ou mental reduzida ou falta de experiência e conhecimento, caso recebam supervisão e orientação adequadas com relação ao uso do aparelho de forma segura, e que entendam os riscos envolvidos.
- Crianças não devem brincar com o aparelho.
- Crianças não devem limpar o aparelho sem supervisão.
- Este produto e sua embalagem não são

brinquedos, e devem ser mantidos fora do alcance de crianças.

CUIDADO

Risco de uso e manuseio impróprio. Favor seguir as instruções abaixo para evitar riscos pessoais ou materiais.

- Não use este produto ao ar livre ou diretamente exposto a condições climáticas.
- Não use este dispositivo em climas tropicais úmidos. Se o produto for levado de uma área fria para uma área quente (ex., durante o transporte), pode haver condensação dentro da unidade. Deixe o produto atingir a temperatura ambiente antes de usá-lo.
- Não use o produto em superfícies molhadas. Não use este produto dentro de banheiras ou chuveiros nem o coloque em pontos onde ele possa cair dentro de banheiras, pias, piscinas ou outros recipientes que contenham água.
- Não mergulhe o produto em água nem deixe

respingar água dentro do compartimento do motor.

- Não use o produto perto de fornos, lareiras, fogões ou outras fontes de calor de alta temperatura.
- Não posicione este produto próximo demais de cortinas e outros tecidos soltos, pois eles podem ser puxados para dentro do produto, interrompendo o fluxo de ar e danificando o motor.
- Não carregue o produto pelo fio, nem use o fio como maçaneta, pois isso pode danificar a fiação interna. Não tire o produto da tomada puxando pelo fio, nem estique demais o fio. Para tirar da tomada, segure o plugue, não o fio.
- Não deixe o fio passar debaixo de tapetes. Não cubra o fio com capachos, passadeiras ou outro tipo de tapete. Não deixe o fio passar debaixo de móveis ou outros eletrodomésticos. Coloque o fio em um lugar onde as pessoas não passem e onde ninguém possa tropeçar nele. Para evitar risco de tropeços, guarde/enrole o fio com segurança.
- Não adultere ou modifique este produto de

qualquer forma.

- Não permita que o cabo de alimentação entre em contato com água ou locais úmidos.
- Não coloque o cabo de alimentação perto de fontes de calor, como aquecedores ou radiadores.

CONEXÃO ELÉTRICA: Apenas uma saída 230V~50Hz CA adequada pode ser usada para conectar com a rede pública.

PERIGO

Risco de choque elétrico. O contato com fios ou componentes sob voltagem pode ser potencialmente fatal!

- Não toque o produto com as mãos molhadas ou úmidas.
- Não opere qualquer aparelho se o plugue ou o fio estiverem danificados, após problemas de funcionamento do aparelho, ou se o aparelho tiver caído ou sido danificado de alguma forma. Descarte o produto ou leve-o a uma assistência

autorizada para exame e/ou reparo para evitar riscos.

- Se o cabo de energia for danificado, ele deve ser substituído pelo fabricante, seu agente de serviço ou pessoas qualificadas, a fim de evitar riscos.
- Não estique nem tensione o fio.
- Não insira ou permita que objetos estranhos entrem em qualquer abertura de entrada ou saída, pois isso poderá causar choque elétrico ou incêndio, ou danificar o aquecedor.
- Desligue todos os controles antes de tirar o aparelho da tomada. Tire o produto da tomada se for deixá-lo sem uso por períodos de tempo prolongados.
- Não abra o compartimento do aparelho. Para evitar risco de choque, todos os reparos devem ser feitos por um Representante Autorizado Vornado. Apenas peças originais devem ser usadas.
- Por motivo de segurança, sempre tire o aparelho da unidade em caso de tempestade.

CUIDADO

Risco de Instalação Imprópria. Favor seguir as

instruções abaixo para evitar riscos pessoais ou materiais.

- Certifique-se de que a tomada esteja facilmente acessível para que o aparelho possa ser desconectado em caso de emergência.
- Para reduzir o risco de incêndio ou choque elétrico, não use este produto com dispositivos de controle de velocidade externo (em estado sólido).
- Para reduzir o risco de incêndio ou choque elétrico, além de lesões, não utilize o produto em janelas.

Informações referentes à Declaração de Conformidade EC

Este produto está em conformidade com todas as diretrizes EC relevantes e necessárias, incluindo:

- Low Voltage Directive (LVD)
- Electromagnetic Compatibility Directive (EMC)
- Energy Related Product Directive (ErP)
- Restriction of Hazardous Substances Directive (RoHS)
- Registration, Evaluation, Authorisation, and

Restriction of Chemicals (REACH)

A Declaração de Conformidade completa está registrada, e pode ser obtida com o importador.



RECICLAGEM DA EMBALAGEM:

A embalagem protege o aparelho contra danos durante o transporte. Os materiais da embalagem são selecionados do ponto de vista de impacto ambiental e tecnologia de descarte e, portanto, são recicláveis.

- Descarte todos os materiais de embalagem de forma ambientalmente responsável.



Reciclagem WEEE

- **Descarte de equipamentos elétricos e eletrônicos:** Esta marca indica que este produto

não deve ser descartado junto com outros resíduos domésticos na União Europeia. Para evitar possíveis danos ao meio ambiente ou à saúde humana decorrentes do descarte de resíduos não controlado, recicle-o de forma responsável, a fim de promover o uso sustentável de recursos materiais. Para devolver seu dispositivo usado, favor usar os sistemas de coleta e devolução ou entrar em contato com a loja onde o produto foi adquirido. A loja irá encaminhar o produto para reciclagem ambiental segura.

FUNÇÕES

MOTOR PODEROSO CLASSE IP-54

À prova de poeira, motor de longa duração que suportará as condições rigorosas do local de trabalho.

MONTAGEM LIVRE DE FERRAMENTAS

CABO DE ALIMENTAÇÃO EXTRA LONGO DE 8 '(2,4m)

Comprimento de cabo amplo mais uma conexão de parede totalmente segura

INTERRUPTOR

Interruptor de alavanca duplo de grandes dimensões, fácil de usar com luvas

MONTÁVEL NA PAREDE

Opção de montagem em parede para maior versatilidade

PÉS ANTIDERRAPANTES

O produto fica onde você o colocou.



DESIGN AMIGÁVEL AOS DEDOS

Resiste a dedos curiosos.

GRELHA REMOVÍVEL

Para fácil limpeza.

CABEÇA GIRATÓRIA

Cabeça giratória de 360° para direcionar o ar onde for necessário

BANCO DE TRIPÉ DESMONTÁVEL

Configuração, remoção e armazenamento rápidos e fáceis

CONTROLES

LIGADO/DESLIGADO
Selecione a velocidade
de vento (III),
Medium (II), Low (I) ou
desligado (O).



COMO USAR

O EXO5 pode ser usado de três formas diferentes.

1. BASE DO TRIPÉ



2. GRAMPO



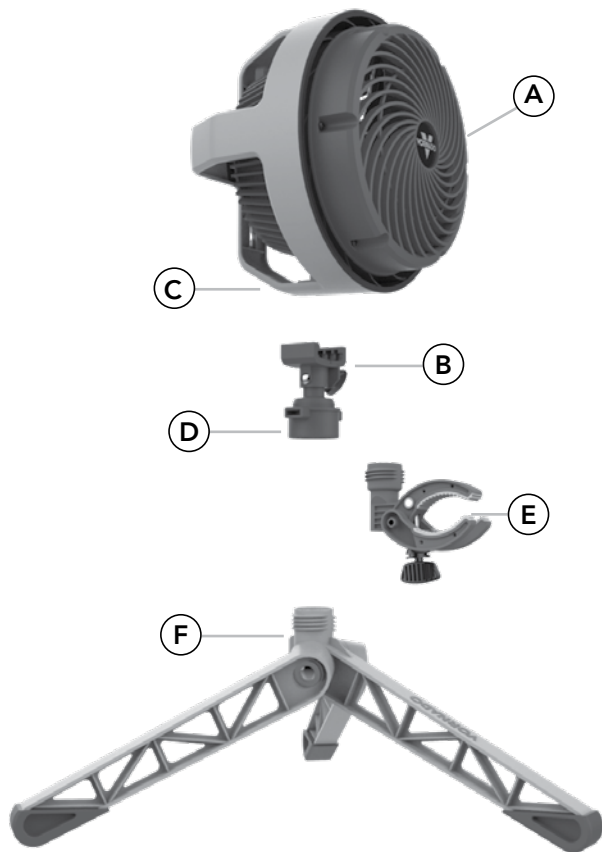
3. MONTAGEM NA PAREDE



MONTAGEM

O EXO5 pode ser usado de três formas diferentes.

1. Conecte a junta do soquete de travamento (B) à cabeça do ventilador EXO5 (A) em qualquer localização plana ao longo da gaiola (C). Antes de prosseguir, verifique se o botão está bem apertado e se a junta do soquete de travamento (B) está totalmente fixada à cabeça do ventilador (A). Não prenda o cabo de alimentação entre a junta do soquete de travamento (B) e a cabeça do ventilador (A).
2. Para conectar o conjunto cabeça do ventilador/junta do soquete de travamento ao Grampo (E) ou à Base do Tripé (F), basta inserir no lado inferior da junta do soquete de travamento (D) e torcer até fixar.
3. Para remover o grampo (E) ou a base do tripé (F), basta torcer até soltar.

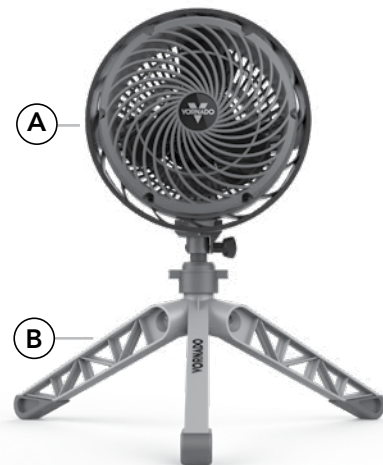


COMO USAR

FIXAÇÃO DA BASE DO TRIPÉ

1. Após a montagem do produto, posicione o aparelho em uma superfície plana e nivelada como mostrado abaixo.
2. Para ajustar o ângulo de inclinação da cabeça, basta afrouxar a conexão entre a cabeça do ventilador (A) e a base do tripé (B) com uma torção, ajustar para o ângulo desejado e depois torcer para reapertar.

Nota: O produto deve ser usado com a base do tripé (B) em posição totalmente estendida e totalmente fixada à cabeça do ventilador (A).



Nota: Para ambas as opções de fixação, mantenha o cabo elétrico em uma posição segura para evitar que alguém tropece sobre ele ou puxe-o. Evite colocar o produto onde seja fácil colidir com ele.

FIXAÇÃO DO GRAMPO

1. Após a montagem do produto, gire o botão de travamento do came (C) para abrir o Grampo (D).
2. Posicione o grampo (D) sobre uma superfície sólida de até 2" (20 cm) de espessura.
3. Gire o botão de travamento do came (C) para apertar. Tome cuidado para que o Grampo (D) esteja totalmente engatado na superfície sólida antes de liberá-lo.

Nota: NÃO prenda a superfícies lisas ou oleosas, pois isso pode permitir que o produto se solte. Certifique-se de que a superfície sólida consiga suportar o peso do produto.



COMO USAR

MONTAGEM NA PAREDE

1. Localize os orifícios da chave (A) na parte de trás do produto.
2. Encontre e marque dois círculos na parede onde o produto será montado. Os círculos precisam estar separados por 5" de centro a centro.

NOTA: Recomenda-se montar o EXO5 em uma superfície sólida ou pino de parede. NÃO pendure o produto no teto. Use âncoras de parede de gesso se um pino não estiver disponível.

3. Perfure 2 parafusos de cabeça esférica #10 na parede (parafusos não incluídos). Os parafusos devem ter classificação de peso para cada carga vertical de 4,5 kg (10 lb).
4. Deixe cerca de 6 mm (1/4") de cada parafuso exposto.
5. Coloque as porções largas dos orifícios da chave sobre as cabeças dos 2 parafusos.
6. Deslize o produto para baixo até que os parafusos estejam dentro da parte estreita dos orifícios da chave e o produto esteja preso à superfície.

Nota: Pendure o produto em locais resistentes usando parafusos grandes que suportarão o produto. Tenha cuidado para não pendurar o produto de maneira que impeça a operação normal do ventilador ou danifique o cabo. Mantenha o cabo elétrico em uma posição segura para evitar que alguém tropece sobre ele ou puxe-o. Evite colocar o produto onde seja fácil colidir com ele.



LIMPEZA

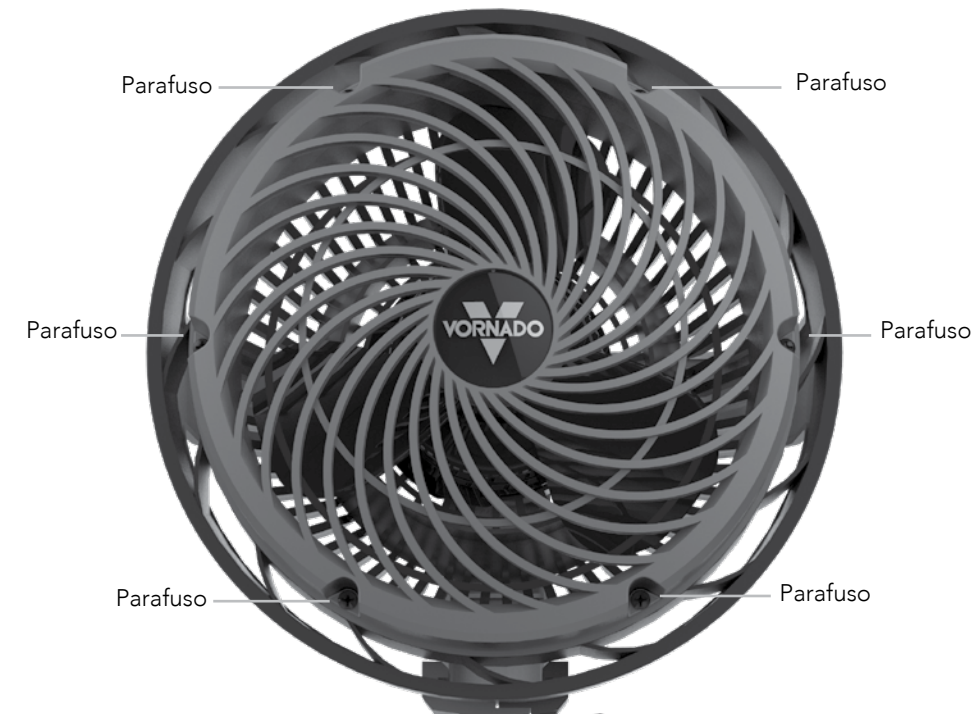
REMOÇÃO DA GRELHA *Chave de fenda necessária.*

ATENÇÃO: Para reduzir o risco de choque elétrico e lesões, não se esqueça de desligar o ventilador e tirar o circulador da tomada antes de remover a grelha.

1. Remova os 6 parafusos localizados na frente da grelha.
2. Tire o pó ou lave a grelha frontal usando um sabão de louça suave. Não coloque a grelha na lava-louças. O calor excessivo pode deformar o plástico.
3. Para recolocar - alinhe os 6 orifícios e substitua todos os parafusos.

Use a extensão escova de seu aspirador de pó para limpar a poeira acumulada das grelhas externas e internas.

Nota: O motor tem lubrificação permanente, e não precisa de óleo.

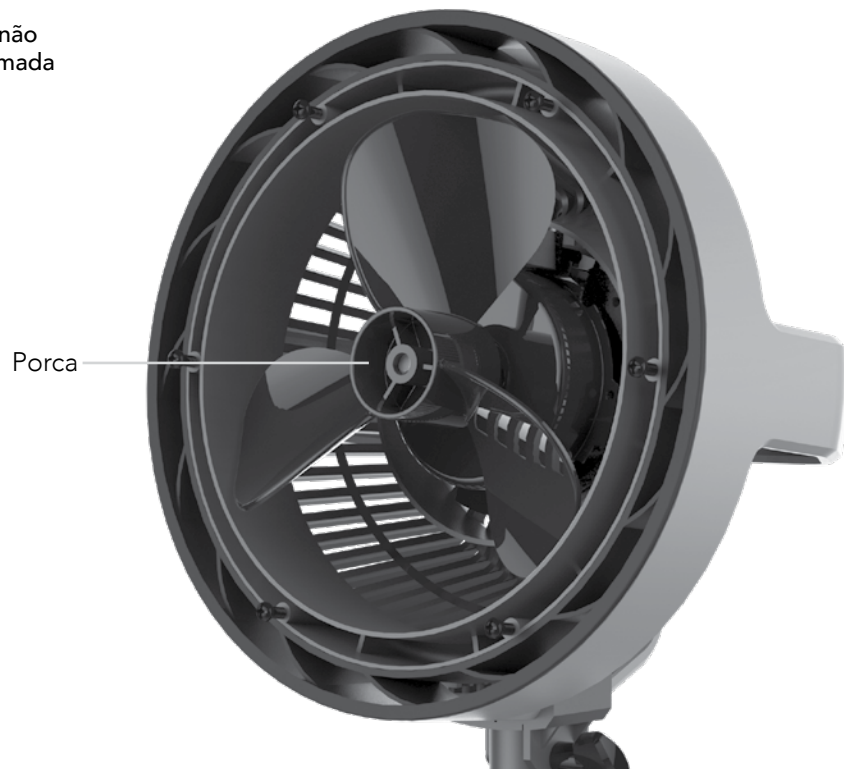


LIMPEZA

REMOÇÃO DAS PÁS

ATENÇÃO: Para reduzir o risco de choque elétrico e lesões, não se esqueça de desligar o ventilador e tirar o circulador da tomada antes de remover a grelha.

1. Primeiro, remova a porca do eixo girando-a em **sentido horário** para afrouxá-la. **Remova a arruela.** Puxe a pá do eixo do motor.
2. Limpe a pá com um pano úmido. Caso o circulador seja usado em um ambiente com muita gordura, como uma cozinha, pode ser necessário usar um sabão ou produto de limpeza suave. Não use solventes. Não coloque a pá na lava-louças. O calor excessivo pode deformar o plástico.
3. Para reafixar - certifique-se de que o lado plano do motor esteja diretamente alinhado com o lado plano correspondente do soquete da pá. Empurre a pá totalmente para dentro do eixo do motor até que a parte inferior saia. **Não use martelos, pois isso poderia danificar os rolamentos.** Reinstale a arruela e a porca.



RESOLUÇÃO DE PROBLEMAS

PROBLEMA

O aparelho não liga.

CAUSA POSSÍVEL E SOLUÇÃO

O aparelho não está ligado à tomada. Ligue o aparelho a uma tomada elétrica. Apenas Modelo 6803DC - Certifique-se de que o fio de energia CA esteja ligado na tomada e que o fio de energia CC esteja plugado ao circulador.

Verifique se a velocidade do ventilador está selecionada.

O aparelho está danificado ou precisa de reparo. Pare de usar o aparelho e tire-o da tomada. Entre em contato com o Serviço de Atendimento ao Cliente para obter assistência.

A tomada está desgastada ou danificada. Tente usar outra tomada ou entre em contato com um eletricista qualificado.


O fluxo de ar está fraco ou lento.

O aparelho está configurado para uma velocidade baixa. Ajuste-o para uma velocidade mais alta.

O fluxo de ar está bloqueado. Remova a obstrução.

Ajuste a direção do fluxo de ar em direção ao usuário.

INFORMAÇÕES ADICIONAIS DO PRODUTO

Descrição	Símbolo	Unidade	Valor
Tensão de Entrada		V	220 - 240
Frequência da Tensão da Fiação		Hz	50
Classe de Proteção		Class	II / 
Dimensões		W x H x D (cm)	47.8 x 50 x 42.7
Peso		Aprox. (g)	2712
Entrada da Alimentação do Ventilador	P	Watts (W)	35.35
Máxima Taxa de Fluxo do Ventilador	F	m ³ /min	21.87
Valor do Serviço	SV	(m ³ /min)/W	0.62
Consumo de Energia em Espera	P _{SB}	Watts (W)	0.00
Nível de Som Emitido	L _{WA}	dB(A)	67.8
Máxima Velocidade do Ar	c	m/sec	3.219
Padrão de Medição para Valor do Serviço	IEC 60879: 1986 corr(1992) GB/T 13380-2007		
Detalhes do Contato para Obter Mais Informações	Vornado Air LLC 415 East 13th Street Andover, KS 67002 USA		



GARANTIA LIMITADA*

Esperamos que este produto seja perfeito. Se não estiver satisfeito com este produto, fale conosco.

*Limitado a garantia e condições de reparação e condições

Você receberá uma voluntária cinco anos garantia da data de compra de materiais e de fabricação do produto. Este estendido a garantia do fabricante é válida para todos os clientes na Europa. As reivindicações de garantia legais não são afetadas pelo presente regulamento adicional.

O fabricante não se responsabiliza por danos causados pelo não seguimento destas instruções ou pelo uso impróprio do produto. Ações do tipo poderão invalidar a garantia do produto.

Esta garantia não se aplica a defeitos resultantes do uso incorreto do Produto, modificação, alteração, reparo ou serviço do Produto por qualquer pessoa não autorizada pela Vornado ou uma Assistência Técnica Autorizada, manuseio incorreto, manutenção inadequada, uso comercial do Produto, danos no transporte ou que possam ser atribuídos a eventos de força-maior.

Não recomendamos qualquer modificação não autorizada no produto, reparo por uma assistência técnica não autorizada ou uso de peças de reposição não aprovadas e quaisquer consequências de tais ações não serão cobertas por serviços de suporte ou garantias de produto.

As exclusões são danos pelo uso impróprio ou uso do produto sem seguir

o manual. Exemplos incluem, sem limitação: Se o produto for exposto a umidade, temperaturas extremas, condições ambientais, corrosão, oxidação, derramamento de líquidos sobre o aparelho, substâncias químicas que impactam o produto ou outros incidentes que não estejam dentro da faixa razoável de influência do fabricante.

O pré-requisito para processamento no departamento de serviço é apresentação de um recibo ou nota fiscal.

Todas as informações técnicas, dados e instruções para instalação, conexão e operação contidos nestas instruções de uso correspondem às mais recentes informações disponíveis à época da impressão.

O conteúdo deste manual pode diferir ligeiramente do produto real. Observe quaisquer suplementos adicionais.

Todos os nomes de empresa e nomes de produto são marcas registradas de seus respectivos proprietários. © Todos os direitos reservados.

Consulte a contracapa do manual do proprietário para obter as informações do importador e seu centro de serviço autorizado.



Desenho e engenharia nos Estados Unidos.

© 2018 Vornado Air LLC Andover, KS 67002 U.S. Patente Pendente. Especificações sujeitas a alteração sem aviso prévio. Vornado® é marca registrada de propriedade da Vornado Air LLC.

esperamos que
este producto
sea **PERFECTO.**

si no lo es
AYÚDENOS a
corregirlo.

vornado-deutschland.de
+49 (0) 531 224356-82
service@vornado-deutschland.de

CONTENIDO

Instrucciones Seguridad Importantes	110
Características.....	115
Controles.....	116
Cómo Usar	117
Ensamblado.....	118
Limpieza	121
Resolución De Problemas	123
Información Adicional Sobre El Producto.....	124
Garantía.....	125

INSTRUCCIONES IMPORTANTES

LEA TODAS LAS INSTRUCCIONES ANTES DE USAR.

Esta guía para el propietario y otros encartes adicionales son considerados partes del producto. Contienen información importante sobre seguridad, uso, y desecho del producto. Antes de usar el producto, familiarícese con todas las instrucciones de funcionamiento y seguridad. Guarde todos los documentos como futura referencia y pase los documentos, junto con el producto, a algún futuro propietario. Consulte nuestro sitio web para obtener la versión más actualizada de nuestra guía del propietario.

Los siguientes mensajes de advertencia se encuentran en toda la guía para el propietario:

PELIGRO

Indica un riesgo con nivel ALTO de riesgo que, en caso de no evitarse, causará la muerte o lesiones graves. Preste especial atención a las

instrucciones proporcionadas a fin de evitar este riesgo altamente peligroso.

ADVERTENCIA

Indica un riesgo con nivel MEDIO de riesgo que, en caso de no evitarse, podría causar la muerte, lesiones graves, lesiones leves o moderadas o posibles daños materiales.

INSTRUCCIONES IMPORTANTES

Indica información adicional que ayudará en el cuidado de manipulación del dispositivo.

USO PREVISTO: Este producto está diseñado para hacer circular el aire en ambientes interiores únicamente. Este producto no está diseñado para usos comerciales o industriales. El fabricante no asume responsabilidad alguna por los daños causados por la falta de cumplimiento de estas instrucciones o el uso inadecuado del producto. Dichas acciones invalidarán la garantía del producto.

ADVERTENCIA - Al utilizar aparatos eléctricos, siempre deben seguirse precauciones básicas para reducir el riesgo de incendio, descarga eléctrica, y daños a personas, incluido lo siguiente:

ADVERTENCIA

Riesgo para niños y otras personas de grupos de riesgo.

- Este electrodoméstico puede ser utilizado por niños mayores de 12 años y personas con capacidades físicas, sensoriales o mentales reducidas o falta de experiencia y conocimientos si han recibido supervisión o instrucciones sobre el uso seguro del electrodoméstico y comprenden los peligros que ello implica.
- Los niños no deben jugar con el electrodoméstico.
- Las tareas de limpieza y mantenimiento por parte del usuario no pueden ser realizadas por niños sin supervisión.
- Este producto y su material de empaquetado no son juguetes y deben mantenerse lejos del alcance de los niños.

ADVERTENCIA

Riesgo por uso y manipulación indebidos. Tenga la precaución de seguir estas directrices para evitar riesgos a personas o bienes.

- No use este producto en el exterior o directamente expuesto a condiciones climáticas.
- No use este dispositivo en climas tropicales húmedos. Si se lleva el producto de un área fría a un área caliente (p. ej., durante el transporte), se puede producir condensación dentro de la unidad. Deje que el dispositivo alcance la temperatura ambiente antes de usarlo.
- No use este producto sobre superficies húmedas. No use este producto en una tina, ducha ni coloque el producto donde pueda caerse en una tina, lavadero, piscina u otro recipiente con agua.
- No sumerja este producto en agua ni permita que se filtre agua en la carcasa del motor.
- No utilice cerca de calderas, chimeneas, hornos u otras fuentes de calor de alta temperatura.
- No coloque este producto muy cerca de cortinas u otras telas sueltas ya que pueden engancharse

en el producto, cortar el flujo de aire y dañar el motor.

- No mueva este producto jalando del cable, ni utilice el cable como manija ya que puede dañar el cableado interno. No desenchufe el producto jalando del cable ni coloque el cable de forma tensa. Para desenchufar, sujete el enchufe, y no el cable de energía.
- No coloque el cable debajo de una alfombra. No cubra el cable con tapetes, alfombrillas o cobertores similares. No coloque el cable debajo de muebles o electrodomésticos. Coloque el cable lejos del área de tránsito en un lugar donde no genere tropiezos. Para evitar tropezones, enrolle/guarde el cable de energía de manera segura.
- No altere ni modifique este producto de ninguna manera.
- No permita que el cable de alimentación entre en contacto con agua o lugares húmedos.
- No coloque el cable de alimentación cerca de fuentes de calor, como calentadores o radiadores.

CONEXIÓN ELÉCTRICA: Solamente puede usarse un tomacorriente adecuado de 230V~50Hz CA para conectar a la fuente de alimentación pública.

PELIGRO

Riesgo de descarga eléctrica. ¡El contacto con cables o componentes con tensión podría ser mortal!

- No toque el producto con las manos húmedas o mojadas.
- No utilice el producto si tiene el cable o enchufe dañado o si el producto funciona mal, se ha caído, o se ha dañado de alguna forma. Deseche el producto o recurra al servicio técnico autorizado para que lo revisen y/o reparen para evitar cualquier peligro.
- No estire el cable de energía ni lo coloque de forma tensa.
- No introduzca ni permita que ingresen objetos extraños por los conductos de entrada o salida ya que ello puede causar riesgo de descarga

eléctrica o incendio, o puede dañar el producto.

- Apague todos los controles antes de desenchufar. Desenchufe del tomacorriente de pared si no utilizará el aparato durante largos periodos de tiempo.
- No abra la carcasa del electrodoméstico. Para evitar el riesgo de descarga, el mantenimiento y/o las reparaciones deben ser realizados por un Centro de Servicio Autorizado de Vornado. Solo deben usarse repuestos originales.
- Por motivos de seguridad, siempre desenchufe la unidad en caso de tormenta.

ADVERTENCIA

Riesgo de instalación inadecuada. Tenga la precaución de seguir estas directrices para evitar riesgos a personas o bienes.

- Asegúrese de que el tomacorriente de pared sea fácilmente accesible para poder desconectar la unidad durante una emergencia.
- Para reducir el riesgo de incendio o descarga eléctrica, no use este producto con un dispositivo

externo de control de velocidad (estado sólido).

- Para reducir el riesgo de incendio o descarga eléctrica y lesiones a personas, no use en una ventana.

Información sobre la Declaración de Conformidad CE

Este producto cumple con todas las directivas CE relevantes y necesarias, incluidas las siguientes:

- Directiva de baja tensión
- Directiva de compatibilidad electromagnética
- Directiva de productos relacionados con la energía
- Directiva de restricción de sustancias peligrosas
- Registro, evaluación, autorización, y restricción de químicos

La Declaración de Conformidad completa está registrada y puede obtenerse mediante el importador.





RECICLAJE DEL PAQUETE: El empaquetado protege el electrodoméstico contra daños durante el transporte. Los materiales de empaquetado son seleccionados desde el punto de vista de su compatibilidad con el medio ambiente y tecnología de desecho y, por lo tanto, son reciclables.

- Deseche los materiales de empaquetado de forma responsable con el medio ambiente.



Reciclaje De Residuos De Aparatos Eléctricos y Electrónicos

- **Residuos eléctricos y desecho de equipos electrónicos:** Esta marca indica que el producto no se debe desechar junto con otros residuos domésticos en ninguna parte de la UE. Para evitar los posibles daños que el desecho no controlado de residuos puede causar al medio ambiente o la salud humana, recíclelo de forma responsable

para fomentar la reutilización sustentable de los recursos materiales. Para entregar el aparato usado, utilice los sistemas de entrega y recolección o comuníquese con la tienda en la que compró el producto. Ellos reciclarán el producto de forma segura para el medio ambiente.

CARACTERÍSTICAS

MOTOR POTENTE CLASIFICADO IP-54
A prueba de polvo, motor de larga vida que soportará los rigores del sitio de trabajo.

ENSAMBLE LIBRE DE HERRAMIENTAS

INTERRUPTOR DE PALANCA
Interruptor de doble palanca de gran tamaño

CABLE DE ALIMENTACIÓN DE TIERRA EXTRA LARGO DE 8'
Amplia longitud del cable más una conexión de pared totalmente segura

MONTAJE DE PARED
Amplia longitud del cable más una conexión de pared totalmente segura

PIES NO DESLIZABLES
El producto permanecerá donde lo pones.



DISEÑO FÁCIL DE MANIPULAR
Resiste dedos curiosos.

REJILLA REMOVIBLE
Para una limpieza sencilla.

SWIVEL HEAD
360° pivoting head to direct air where needed

BASE DE TRÍPODE COLAPSIBLE
Configuración rápida y fácil, desmontaje almacenamiento

CONTROLES

ENCENDIDO/APAGADO
Seleccione la velocidad del ventilador Alta (III), Media (II), Baja (I) o apagado (O)



CÓMO USAR

1. BASE DE TRÍPODE



2. ABRAZADERA



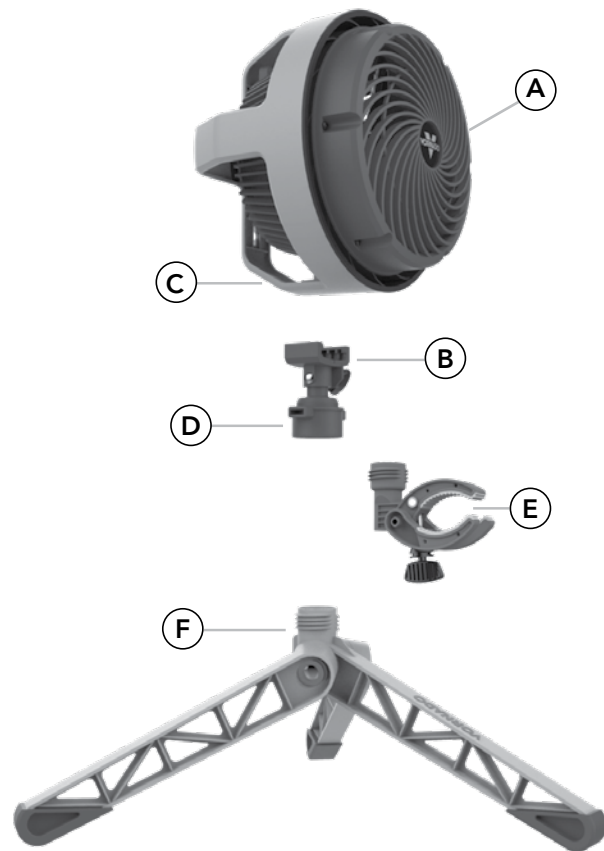
3. MONTAJE DE PARED



ENSAMBLADO

El EXO5 se puede utilizar en una de tres maneras diferentes.

1. Conecte la unión del casquillo de bloqueo (B) a la cabeza del ventilador EXO5 (A) en cualquier plano ubicación a lo largo de la jaula de rodillos (C). Antes de proceder, asegúrese de que la perilla esté bien apretada y La unión del casquillo de bloqueo (B) está fijado al cabezal del ventilador (A). No pellizque el cable de alimentación entre la articulación del casquillo de bloqueo (B) y el cabezal del ventilador (A).
2. Para conectar el cabezal del ventilador/ensamblaje de articulación del casquillo de bloqueo ya sea a la abrazadera (E) o la base del trípode (F), simplemente inserte en la parte inferior de la articulación del casquillo de bloqueo (D) y gire hasta que se asegure.
3. Para quitar la abrazadera (E) o el trípode Base (F), simplemente gírela hasta que se afloje.

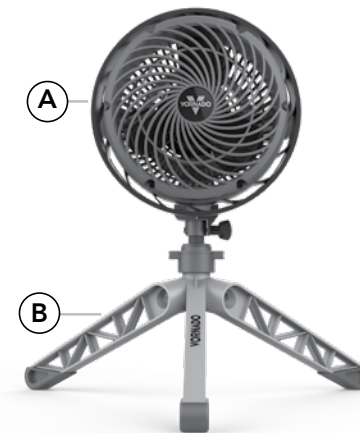


CÓMO USAR

ADJUNTO DE BASE DE TRÍPODO

1. Después del montaje del producto, coloque la unidad sobre una superficie plana y nivelada como se muestra abajo.
2. Para ajustar el ángulo de inclinación de la cabeza, simplemente afloje la conexión entre la cabeza del ventilador (A) y la base del trípode (B) con un giro, ajuste al ángulo deseado y luego gírela para volver a apretarlo.

Nota: El producto debe utilizarse con la base del trípode (B) en posición completamente extendida y completamente asegurada a la cabeza del ventilador (A).



Nota: Para las dos opciones de conexión, mantenga el cable eléctrico enrutado de forma segura para evitar tropezarse o jalarse. Evite colocar el producto donde pueda golpearse fácilmente.

ADJUNTO DE LA ABRAZADERA

1. Después del montaje del producto, gire la perilla de bloqueo de leva (C) hasta abra la abrazadera (D).
2. Coloque la abrazadera (D) sobre una superficie sólida de **hasta 2" de grosor**.
3. Gire la perilla de bloqueo de la leva (C) para apretarla. Tenga cuidado Abrazadera (D) está totalmente acoplado a una superficie sólida antes de soltarla.

Nota: NO se adhiera a superficies resbaladizas o aceitosas, ya que esto puede permitir que el producto se suelte. Asegúrese de que la superficie sólida puede soportar el peso del producto.



CÓMO USAR

INSTALACION EN EL MURO

1. Localice los agujeros clave (A) en la parte posterior del producto.
2. Coloque las porciones anchas de los agujeros de la llave sobre las cabezas de los 2 tornillos (tornillos no incluidos). Asegúrese de que los tornillos estén colocados sobre una superficie sólida o un perno de pared.
3. Deslice el producto hacia abajo hasta que los tornillos estén dentro de la estrecha porción de los agujeros de la llave y el producto se asegure a la superficie.



Nota: Cuelgue el producto desde una ubicación robusta usando tornillos grandes que soporten el producto. Tenga cuidado de no colgar el producto de tal manera que evite el funcionamiento normal del ventilador o dañe el cable. Mantenga el cable eléctrico con seguridad enrutado para evitar ser tropezado o tirado. Evite colocar el producto donde pueda ser fácilmente golpeado.

LIMPIEZA

REMOCIÓN DE LA REJILLA *Se requiere un destornillador.*

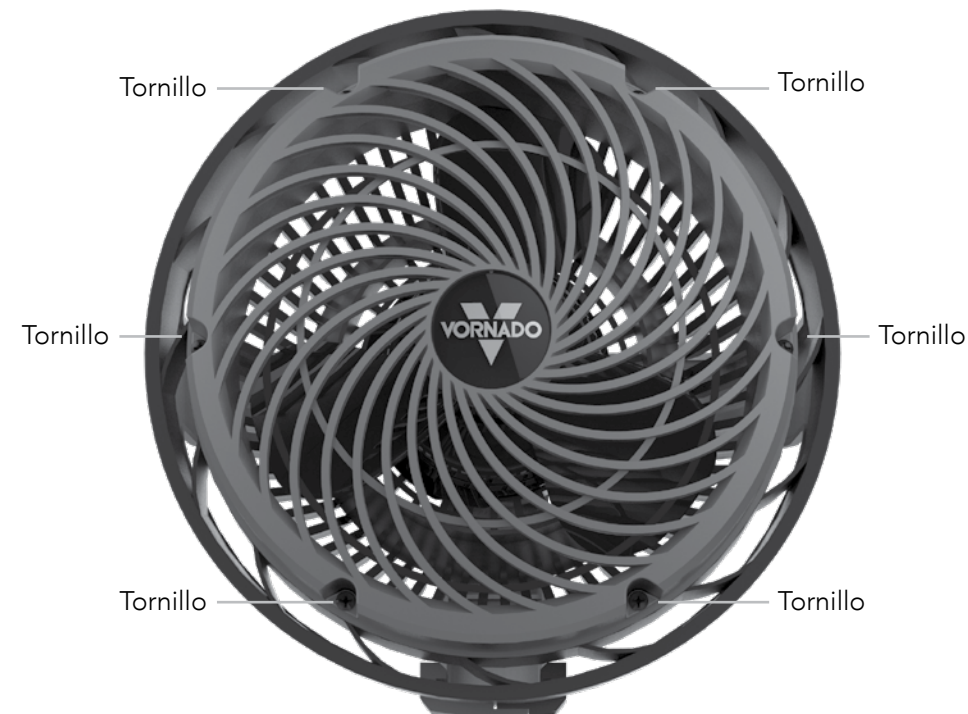
ADVERTENCIA: Para reducir el riesgo de descarga eléctrica y daños a personas, asegúrese de que el ventilador esté apagado y desenchufe el circulador antes de quitar la rejilla.

1. Retire los 6 tornillos situados en el frente de la parrilla.
2. Desempolve o lave la parrilla delantera con una jabón de lavado suave. No coloque parrilla en el lavaplatos. El calor excesivo puede distorsionar el plástico.
3. Para volver a colocar - alinee los 6 agujeros de tornillo y vuelva a colocar todos los tornillos.



Utilice el cepillo del aspirador para aspirar cualquier polvo acumulado en la rejilla frontal y en las entradas de aire.

Nota: El motor siempre se mantiene lubricado, por lo que no requiere la aplicación de aceite.



LIMPIEZA

REMOCIÓN DEL ASPA

ADVERTENCIA: Para reducir el riesgo de descarga eléctrica y daños a personas, asegúrese de que el ventilador esté apagado y desenchufe el circulador antes de quitar la rejilla.

1. Primero, quite la tuerca del eje girando la tuerca en el sentido de las agujas del reloj para aflojar. Quite la lavadora. Tire de la cuchilla hacia fuera del eje.
2. Limpie la cuchilla con un paño húmedo. Si su circulador está utilizado en un ambiente grasiento, como una cocina, jabón o un limpiador doméstico común puede ser necesario. No utilice disolventes. No coloque la cuchilla lavavajillas. El calor excesivo puede distorsionar el plástico.
3. Para volver a colocar - asegúrese de que el lado plano del eje se alinee directamente con el correspondiente lado plano de la hoja enchufe. Empuje la cuchilla hasta el tope del eje hasta toque fondo. **No use un martillo ya que esto podría resultar en el daño del cojinete.** Reinstale la arandela y la tuerca.



RESOLUCIÓN DE PROBLEMAS

PROBLEMA

POSIBLE CAUSA Y SOLUCIÓN

El artefacto no se enciende.

El artefacto no está enchufado. Enchufe el cable de alimentación en la toma de corriente eléctrica.

Asegúrese de que el artefacto se encuentra en modo de ventilador.

La unidad está dañada o necesita reparación. Suspenda el uso y desenchúfela. Comuníquese con el servicio de atención al cliente para obtener asistencia.

El enchufe está gastado o dañado. Pruebe con otro enchufe o contacte a un electricista certificado.


El flujo de aire es débil o lento.

Configure la unidad a una velocidad baja. Ajústela a una configuración de velocidad más alta.

El flujo de aire está bloqueado. Quite la obstrucción.

Ajuste la dirección de la corriente de aire hacia el usuario.

INFORMACIÓN ADICIONAL SOBRE EL PRODUCTO

Descripción	Símbolo	Unidad	Valor
Tensión de entrada		V	220 - 240
Frecuencia de tensión de la red		Hz	50
Clase de protección		Class	II / 
Dimensiones		W x H x D (cm)	47.8 x 50 x 42.7
Peso		Aprox. (g)	2712
Potencia de entrada del ventilador	P	Vatios (W)	35.35
Potencia de entrada del ventilador	F	m ³ /min	21.87
Valor de servicio	SV	(m ³ /min)/W	0.62
Consumo de energía en posición de espera	P _{SB}	Watts (W)	0.00
Nivel de sonido emitido	L _{WA}	dB(A)	67.8
Velocidad máxima del aire	c	m/sec	3.219
Estándar de medición del valor de servicio	IEC 60879: 1986 corr(1992) GB/T 13380-2007		
Detalles de contacto para obtener más información	Vornado Air LLC 415 East 13th Street Andover, KS 67002 USA		



GARANTÍA LIMITADA*

Esperamos que este producto sea perfecto. Si no está satisfecho con este producto, háganoslo saber.

*Condiciones de garantía y reparación y condiciones

Usted recibirá un voluntario 5 años garantía de fecha de compra en materiales y mano de obra del producto. Esta extendida garantía es válida para todos los clientes en Europa. La garantía legal se ven afectado por el presente Reglamento adicional.

El fabricante no asume responsabilidad alguna por los daños causados por la falta de cumplimiento de estas instrucciones o el uso inadecuado del producto. Dichas acciones invalidarán la garantía del producto.

Esta garantía no se aplica a defectos generados por el abuso del Producto, modificación, alteración, reparación o servicio del Producto por parte de una persona que no sea Vornado o un Centro de Servicio Autorizado, manipulación incorrecta, mantenimiento inadecuado, uso comercial del Producto, daños producidos durante el envío o atribuidos a hechos fortuitos.

No se recomienda la modificación no autorizada del producto, la reparación realizada por un centro de reparaciones no autorizado, o el uso de repuestos no aprobados, y sus consecuencias no serán cubiertas por los servicios de soporte o las garantías del producto.

Quedan excluidos los daños causados por el uso inadecuado o el uso del producto que no sea consecuente con el manual. Por ejemplo, a título enunciativo: si el producto es expuesto a humedad, temperaturas extremas, condiciones

ambientales, corrosión, oxidación, si se derraman líquidos sobre el dispositivo, si sustancias químicas afectan el producto o mediante otros incidentes que no se encuentren dentro del rango razonable de influencia del fabricante.

La presentación de un recibo o una factura es prerequisite para el procesamiento en el departamento de servicio.

La información técnica, los datos y las instrucciones de instalación, conexión y operación que contienen estas instrucciones de uso corresponden a la última información disponible al momento de la impresión.

El contenido de este manual puede diferir ligeramente del producto real. Tenga en cuenta los complementos adicionales.

Los nombres de empresas y productos son marcas comerciales de sus respectivos propietarios. © Todos los derechos reservados.

© 2018 Vornado Air LLC Andover, KS 67002
Las especificaciones pueden modificarse sin previo aviso.
Vornado® es una marca registrada propiedad de Vornado Air LLC.

Consulte la contratapa del manual del usuario para la información del importador y su centro de servicio autorizado.



Pensado y diseñado en USA.

© 2018 Vornado Air LLC Andover, KS 67002 U.S. Patente en Curso. Especificaciones del producto sujetas a cambio sin previo aviso. Vornado® es marca registrado de Vornado Air LLC.

Očekáváme, že
tento výrobek
bude **DOKONALÝ**.

Pokud nebude,
NAPRAVÍME to.

vornado-deutschland.de
+49 (0) 531 224356-82
service@vornado-deutschland.de

OBSAH

Důležité pokyny	128
Vlastnosti	133
Ovládací Prvky	134
Způsob Používání	135
Sestavení	136
Čištění	139
Řešení potíží	141
Další Informace O Výrobku	142
Záruka	143

DŮLEŽITÉ POKYNY PŘED POUŽITÍM SI PŘEČTĚTE VEŠKERÉ POKYNY.

Tento návod k použití a případné další přílohy se považují za součást výrobku. Obsahují důležité informace o bezpečnosti, používání a likvidaci. Před použitím výrobku se prosím seznamte se všemi pokyny k provozu a bezpečnosti. Všechny dokumenty si prosím uschovejte pro budoucí použití a předejte je případnému budoucímu vlastníkovi spolu s výrobkem. Nejnovější verzi našeho návodu k použití najdete na našem webu.

V celém návodu k použití se používají následující výstražná upozornění:

NEBEZPEČÍ

Označuje VYSOKOU míru ohrožení, které povede k usmrcení nebo vážnému zranění, pokud riziku nepředejdete. Věnujte prosím zvláštní pozornost uvedeným pokynům k tomu,

jak tomuto vážnému riziku předejít.

VÝSTRAHA

Označuje STŘEDNÍ míru ohrožení, které by mohlo vést k usmrcení, vážnému zranění, středně vážnému nebo lehkému poranění nebo potenciálnímu poškození majetku, pokud riziku nepředejdete.

DŮLEŽITÉ POKYNY

Označují doplňující informace, které vám pomohou s používáním zařízení.

POUŽITÍ V SOULADU S URČENÍM: Tento výrobek je určen pouze k cirkulaci vzduchu ve vnitřních obytných prostorech. Tento výrobek není určen pro komerční ani průmyslové použití.

Výrobce nenese odpovědnost za škody způsobené nedodržením těchto pokynů nebo nevhodným použitím výrobku. Takové případné počínání vede ke

ztrátě nároku na záruku.

VÝSTRAHA – Při používání elektrických spotřebičů je vždy nutné dodržovat základní preventivní opatření, aby se snížilo riziko požáru, zásahu elektrickým proudem a poranění osob, mimo jiné:

VÝSTRAHA

Riziko pro děti a jiné ohrožené skupiny osob.

- Tento spotřebič mohou používat děti od 12 let i osoby s omezenými fyzickými, sensorickými nebo duševními schopnostmi nebo s nedostatkem zkušeností a znalostí, pokud se jim dostalo dohledu nebo pokynů ohledně bezpečného používání spotřebiče a pokud chápou související rizika.
- Děti si se spotřebičem nesmějí hrát.
- Děti nesmějí bez dohledu provádět čištění a uživatelskou údržbu.
- Tento výrobek ani jeho obalový materiál nejsou hračky a musejí se uchovávat mimo dosah dětí.

VÝSTRAHA

Riziko vyplývající z použití a zacházení v rozporu s určením. Dodržujte prosím tyto pokyny, aby nedošlo k ohrožení osob ani majetku.

- Nepoužívejte tento výrobek venku a nevystavujte ho přímému působení povětrnostních vlivů.
- Nepoužívejte toto zařízení v tropickém vlhkém podnebí. Při přenesení výrobku ze studeného prostoru do tepla (např. během přepravy) může v jednotce dojít ke kondenzaci. Před použitím zařízení počkejte, než dosáhne pokojové teploty.
- Nepoužívejte tento výrobek na mokřím povrchu. Nepoužívejte tento výrobek ve vaně či sprše a neumistujte ho na místa, z nichž může spadnout do vody, prádla, bazénu nebo jiné vodní nádrže.
- Dbejte na to, aby nedošlo k ponoření výrobku do vody a aby do krytu motoru nenakapala voda.
- Nepoužívejte zařízení v blízkosti kamen, krbů, sporáků a jiných zdrojů tepla o vysoké teplotě.
- Neumistujte tento výrobek příliš blízko závěsů a jiných volných tkanin, jelikož by mohly být nasáty do výrobku, mohly by přerušit proudění vzduchu a

poškodit motor.

- Nenoste tento výrobek za kabel a rovněž kabel nepoužívejte jako rukojeť, jelikož by se mohlo poškodit vnitřní vedení. Nevytahujte výrobek ze zásuvky tak, že budete tahat za kabel nebo že budete kabel vystavovat zátěži. Při vytahování ze zásuvky držte zástrčku, nikoliv kabel.
- Nepokládejte kabel pod koberec. Nezakrývejte kabel rohožemi, běhouny a podobnými krycími materiály. Nevedte kabel pod nábytkem a spotřebiči. Umístěte kabel na místo, kde se nechodí a kde o něj nikdo nezakopne. Aby se předešlo nebezpečí zakopnutí, napájecí kabel bezpečně sviňte/uložte.
- Neprovádějte manipulaci s tímto produktem ani ho neměňte žádným způsobem.
- Nedovolte, aby se napájecí kabel dostal do kontaktu s vodou nebo s vlhkým místem.
- Neumisťujte napájecí kabel do blízkosti zdrojů tepla, jako jsou ohřívače nebo radiátory.

ELEKTRICKÉ PŘIPOJENÍ: Smí se použít pouze správná zásuvka 230 V~ 50 Hz AC pro připojení k

veřejné rozvodné síti.

NEBEZPEČÍ

Riziko zásahu elektrickým proudem. Kontakt s vedením a komponentami pod napětím může být životu nebezpečný!

- Nedotýkejte se výrobku mokřýma ani vlhkýma rukama.
- Nepoužívejte výrobek s poškozeným kabelem či poškozenou zástrčkou a také ho nepoužívejte po výskytu poruch, pádu nebo jakémkoliv poškození. Takový výrobek v zájmu bezpečnosti zlikvidujte nebo se obraťte na servis, aby výrobek zkontroloval a/nebo opravil.
- Pokud je poškozený napájecí kabel, musí ho v zájmu bezpečnosti vyměnit výrobce, jeho servisní pracoviště nebo podobně kvalifikovaná osoba.
- Napájecí kabel nenatahujte ani ho nevystavujte zátěži.
- Nevkládejte do žádného vstupního ani výstupního otvoru žádné cizí předměty a předejděte tomu, aby tam spadly. Mohlo by to vést k nebezpečí

zásahu elektrickým proudem, požáru nebo poškození výrobku.

- Před vytažením ze zásuvky vypněte všechny ovládací prvky. Pokud zařízení delší dobu nepoužíváte, vytáhněte ho z nástěnné zásuvky.
- Neotevírejte kryt spotřebiče. Aby se předešlo nebezpečí zásahu elektrickým proudem, musí veškeré servisní práce a/nebo opravy provádět autorizované servisní pracoviště společnosti Vornado. Smějí se používat pouze originální náhradní díly.
- V zájmu bezpečnosti jednotku vždy vypojujte ze zásuvky v případě bouřky.

VÝSTRAHA

Riziko vyplývající z neodborné instalace. Dodržujte prosím tyto pokyny, aby nedošlo k ohrožení osob ani majetku.

- Vyberte nástěnnou zásuvku, která je snadno dostupná, aby jednotku bylo v naléhavém případě možné vypojit.
- Aby se snížilo riziko požáru a zásahu elektrickým

proudem, nepoužívejte tento výrobek ve spojení s žádným externím (polovodičový) zařízením k regulaci otáček.

- Aby se snížilo riziko požáru, zásahu elektrickým proudem a poranění osob, nepoužívejte v okně.

Informace ohledně ES prohlášení o shodě

Tento výrobek splňuje všechny relevantní a potřebné směrnice ES, mimo jiné:

- Směrnice pro nízké napětí (LVD)
- Směrnice pro elektromagnetickou kompatibilitu (EMC)
- Směrnice o ekodesignu výrobků spojených se spotřebou energie (ErP)
- Směrnice o omezení používání některých nebezpečných látek (RoHS)
- Nařízení o registraci, hodnocení, povolování a omezování chemických látek (REACH)

Kompletní prohlášení o shodě je zaregistrované a je k dispozici u dovozce.





RECYKLACE OBALU: Obal chrání spotřebič před poškozením během přepravy. Obalové materiály vybíráme s ohledem na ekologičnost a technologii likvidace, takže je lze recyklovat.

- Likvidujte veškerý obalový materiál s ohledem na životní prostředí.



Recyklace WEEE

- **Likvidace odpadních elektrických a elektronických zařízeních:** Tato značka udává, že tento výrobek se nikde na území EU nesmí vyhazovat do domovního odpadu. V zájmu ochrany životního prostředí a lidského zdraví před nekontrolovanou likvidací odpadu výrobek předejte k recyklaci. Podpořte tak udržitelné opětovné využití zdrojů materiálu. Chcete-li použité zařízení vrátit, použijte systémy zpětného odběru spotřebičů nebo se obraťte na maloobchodního prodejce, u něhož jste výrobek

zakoupili. Prodejce může tento výrobek přijmout zpět k ekologické recyklaci.

VLASTNOSTI

VÝKONNÝ MOTOR S KRYTÍM IP 54

Prachotěsný motor s dlouhou životností, který odolá nekompromisnímu používání na pracovišti.

SESTAVENÍ BEZ POUŽITÍ NÁŘADÍ

VELMI DLOUHÝ (2,4 m)

NAPÁJECÍ KABEL

Dostatečně dlouhý kabel plus plně zajištěné připevnění na zdi.

PŘEPÍNAČ

Velký dvojitý přepínač, který lze ovládat i v rukavicích.

MOŽNOST MONTÁŽE NA ZEĎ

Možnost montáže na zeď pro ještě mnohostrannější použití.

PROTISKLUZOVÉ NOHY

Produkt zůstane tam, kam ho umístíte.



DESIGN PRO BEZPEČÍ PRSTŮ

Odolá zvědavým prstům.

SNÍMATELNÁ MŘÍŽKA

Pro snadné čištění.

OTOČNÁ HLAVA

Hlava otočná o 360°, která vzduch dostane na všechna potřebná místa.

SKLÁDACÍ TŘÍNOHÁ ZÁKLADNA

Rychlé a snadné ustavení, složení a uložení.

OVLÁDACÍ PRVKY

ZAP./VYP.
Vyberte otáčky
ventilátoru High
(III), Medium (II),
nebo Low (I) nebo
produkt vypněte (O).



ZPŮSOB POUŽÍVÁNÍ

EXO5 lze používat třemi různými způsoby.

1. TŘÍNOHÁ ZÁKLADNA



2. SVORKA



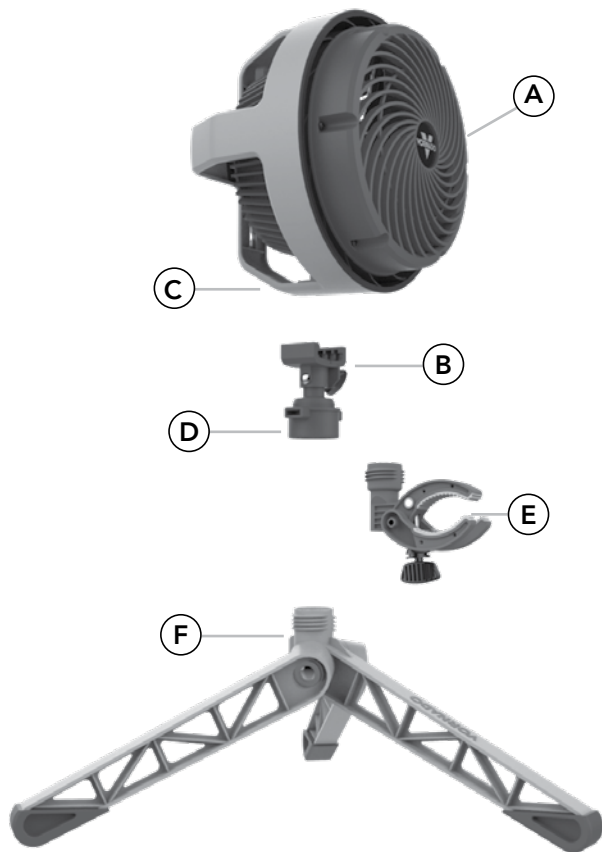
3. MONTÁŽ NA ZEĎ



SESTAVENÍ

EXO5 lze používat třemi různými způsoby.

1. Připojte kloub s pojistnou vložkou (B) k ventilátorové hlavici EXO5 (A) na libovolném rovném místě podél válcové klece (C). Než budete pokračovat, se ujistěte, zda je knoflík správně dotažen a kloub s pojistnou vložkou (B) je na ventilátorové hlavici (A) zcela zajištěn. Neskřípněte napájecí šňůru mezi kloubem s pojistnou vložkou (B) a ventilátorovou hlavici (A).
2. Připojte sestavu ventilátorové hlavice / kloubu s pojistnou vložkou buď ke svorce (E) nebo k trojnohé základně (F) tak, že ji jednoduše zasunete do spodní strany kloubu s pojistnou vložkou (D) a otočením ji zajistíte.
3. Svorku (E) nebo trojnohou základnu (F) odstraníte tak, že je otáčením uvolníte.

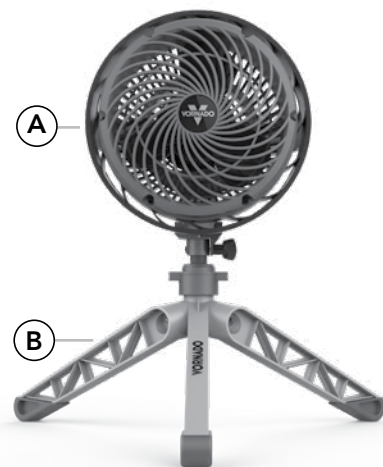


ZPŮSOB POUŽÍVÁNÍ

PŘIPOJENÍ NA TŘÍNOHOU ZÁKLADNU

1. Po sestavení produktu jednotku umístěte na rovnou plochu, jak je vyobrazeno níže.
2. Chcete-li upravit úhel naklonění hlavice, stačí uvolnit spojení mezi ventilátorovou hlavici (A) a trojnohou základnou (B) otočením, nastavit požadovaný úhel a poté otočením opět utáhnout.

Poznámka:
Produkt se musí ve spojení s trojnohou základnou (B) používat v plně rozložené poloze a plně zajištěný na ventilátorové hlavici (A).



Poznámka: V případě obou možností připojení zajistěte, aby napájecí kabel byl položen na bezpečném místě, aby o něj nikdo nezakopl a aby nemohlo dojít k jeho vytažení. Neumísťujte výrobek na místo, kde do něj někdo může snadno vrazit.

PŘIPOJENÍ NA SVORKU

1. Po sestavení produktu otočte vačkový pojistný knoflík (C) a otevřete svorku (D).
2. Umístěte svorku (D) na pevný povrch o tloušťce až 5 cm.
3. Utáhněte ji otočením vačkového pojistného knoflíku (C). Před uvolněním dbejte na to, aby svorka (D) byla na pevném povrchu plně utažená.

Poznámka:
Nepřipevňujte na hladké nebo mastné povrchy. Mohlo by to vést k uvolnění produktu. Zkontrolujte, zda pevný povrch unese hmotnost produktu.



ZPŮSOB POUŽÍVÁNÍ

MONTÁŽ NA ZEĎ

1. Vyhledejte klíčové otvory (A) na zadní straně produktu.
2. Najděte a vyznačte na zdi dva kroužky, v nichž bude produkt připevněn. Kroužky musejí být 12,7 cm od sebe (ze středu do středu).

POZNÁMKA: Doporučujeme EXO5 namontovat na pevný povrch nebo na sloupek ve zdi. Nevěste produkt na strop. Pokud není k dispozici sloupek, použijte kotvy do sádkartonu.

3. Navrtejte do zdi 2 šrouby velikosti #10 (šrouby nejsou součástí dodávky). Každý šroub by měl mít nosnost pro vertikální zatížení 4,5 kg.
4. Každý šroub nechte cca 6 mm vyčnívat.
5. Široké části klíčových otvorů umístěte na hlavy obou šroubů.
6. Posuňte produkt směrem dolů tak, aby se šrouby nacházely v úzké části klíčových otvorů a produkt byl připevněn k povrchu.

Poznámka: Zavěste produkt na masivní místo za použití velkých šroubů, které produkt unesou. Nezavěšujte produkt tak, aby to bránilo normálnímu provozu ventilátoru nebo poškodilo kabel. Položte napájecí kabel na bezpečném místě, aby o něj nikdo nezakopl a aby nemohlo dojít k jeho vytažení. Neumísťujte výrobek na místo, kde do něj někdo může snadno vrazit.




ČIŠTĚNÍ

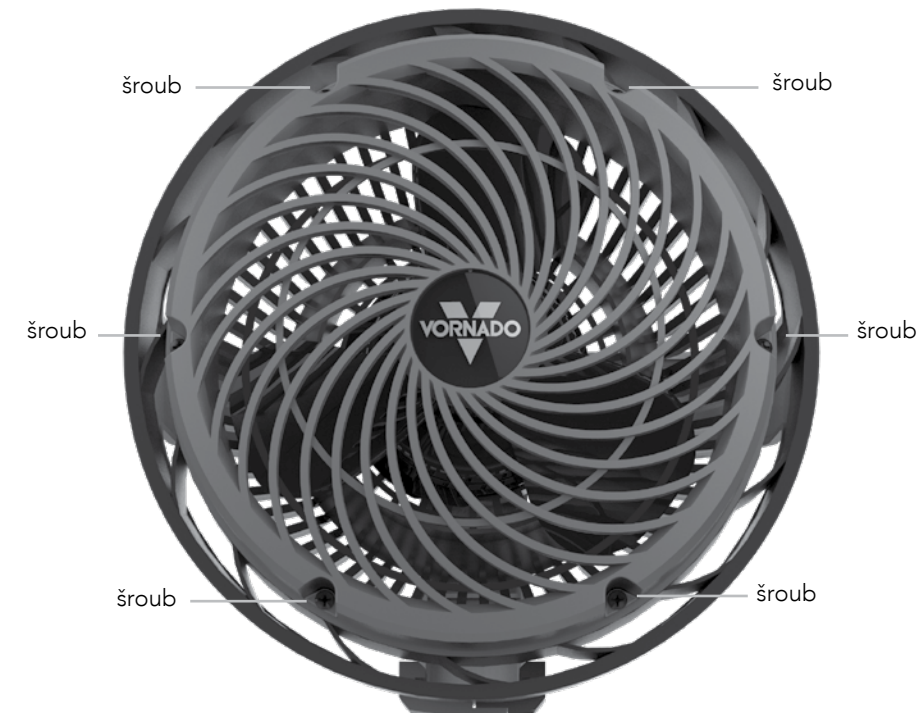
SEJMUTÍ MŘÍŽKY *Vyžaduje šroubovák.*

VAROVÁNÍ: Aby se snížilo riziko zásahu elektrickým proudem a poranění osob, před sejmutím mřížky vypněte ventilátor avypojte cirkulátor ze zásuvky.

1. Odstraňte 6 šroubů umístěných na přední straně mřížky.
2. Oprašte přední mřížku nebo ji umyjte jemným prostředkem na mytí nádobí. Nemyjte mřížku v myčce nádobí. Nadměrným působením tepla se plast může deformovat.
3. Pro opětovné připojení vyrovnejte 6 otvorů na šrouby a opět všechny šrouby zašroubujte.

 Za použití kartáčového nástavce na domácím vysavači z přední mřížky a přívodu vzduchu vysajte případný nahromaděný prach.

Poznámka: Motor se průběžně promazává a nevyžaduje další mazání.

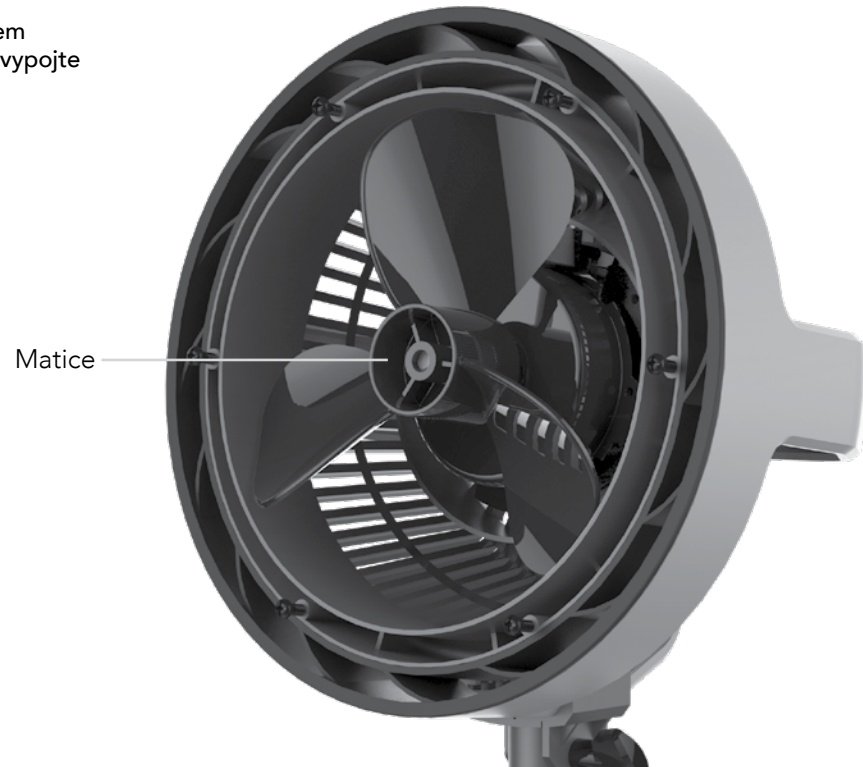


ČIŠTĚNÍ

VYJMUTÍ LOPATKY

VAROVÁNÍ: Aby se snížilo riziko zásahu elektrickým proudem aporanění osob, před sejmutím mřížky vypněte ventilátor a vyjměte cirkulátor ze zásuvky.

1. Nejprve odstraňte matici z hřídele tak, že matici **uvolníte otáčením ve směru hodinových ručiček. Odstraňte podložku.** Stáhněte lopatku rovně z hřídele.
2. Otřete lopatku vlhkým hadříkem. Pokud cirkulátor používáte v mastném prostředí, jako je kuchyně, může být nutné použít běžný čistící prostředek pro domácnost. Nepoužívejte rozpouštědla. Nemyjte lopatku v myčce nádobí. Nadměrným působením tepla se plast může deformovat.
3. Při opětovném nasazování se ujistěte, zda je plochá strana hřídele přesně zarovnaná s příslušnou plochou stranou jamky pro lopatku. Nasuňte lopatku až na doraz na hřídel. **Nepoužívejte kladivo, jelikož by se tím mohlo poškodit ložisko.** Opět nainstalujte podložku a matici.



ŘEŠENÍ POTÍŽÍ

PROBLÉM

Jednotku nelze zapnout.

MOŽNÁ PŘÍČINA A ŘEŠENÍ

Jednotka není zapojená do zásuvky. Zapojte napájecí kabel do elektrické zásuvky. Pouze model 683DC: Zkontrolujte, zda je AC napájecí kabel zapojený do napájecího zdroje a DC napájecí kabel do cirkulátoru.

Zkontrolujte, zda jsou nastaveny otáčky větráku.

Jednotka je poškozená nebo vyžaduje opravu. Přestaňte ji používat a vypojte ji ze zásuvky. Požádejte o pomoc zákaznický servis.

Zásuvka je opotřebená nebo poškozená. Zkuste jinou zásuvku nebo se obraťte na kvalifikovaného elektrikáře.

Proudění vzduchu je příliš slabé nebo pomalé.

Jednotka je nastavená na nízké otáčky. Nastavte jednotku na vyšší otáčky.


Proudění vzduchu je blokováno. Odstraňte překážku.

Upravte směr proudění vzduchu tak, aby směřovalo k uživateli.

Vybavil proudový chránič.

Za určitých okolností se může stát, že zásuvka s resetovaným proudovým chráničem (GFCI) vybaví, když uživatel přepíná otáčky. V takovém případě přejděte na zásuvku, která není připojena k proudovému chrániči. Může to rovněž být známkou slabé nebo vadné zásuvky s proudovým chráničem. Obráťte se na kvalifikovaného elektrikáře a nechte zásuvku s proudovým chráničem zkontrolovat.

DALŠÍ INFORMACE O VÝROBKU

Popis	Symbol	Jednotka	Hodnota
Vstupní napětí		V	220 - 240
Frekvence síťového napětí		Hz	50
Třída ochrany		Class	II / 
Rozměry		W x H x D (cm)	47.8 x 50 x 42.7
Hmotnost		Approx. (g)	2712
Příkon větráku	P	Watts (W)	35.35
Maximální průtok větráku	F	m ³ /min	21.87
Účinnost	SV	(m ³ /min)/W	0.62
Příkon v pohotovostním režimu	P _{SB}	Watts (W)	0.00
Hladina intenzity zvuku	L _{WA}	dB(A)	67.8
Maximální rychlost vzduchu	c	m/sec	3.219
Norma pro měření účinnosti	IEC 60879: 1986 corr(1992) GB/T 13380-2007		
Kontaktní údaje pro získání dalších informací	Vornado Air LLC 415 East 13th Street Andover, KS 67002 USA		



OMEZENÁ ZÁRUKA*

Očekáváme, že tento výrobek bude dokonalý. Pokud s tímto výrobkem nejste spokojeni, dejte nám vědět.

* Omezená záruka a oprava termíny a podmínky

Zobrazí se dobrovolné pět let výrobců záruka od data zakoupení na materiálech a provedení výrobku. Tato rozšířená záruka výrobce platí pro všechny zákazníky v Evropě. Právní záruční nároky nejsou ovlivněny toto další nařízení.

Výrobce nenese odpovědnost za škody způsobené nedodržením těchto pokynů nebo nevhodným použitím výrobku. Takové případné počínání vede ke ztrátě nároku na záruku.

Tato záruka se nevztahuje na závady vyplývající z použití výrobku v rozporu s určením, změn, úprav, oprav či servisu výrobku provedených kýmkoliv jiným než společností Vornado nebo autorizovaným servisním pracovištěm, z nesprávného zacházení, nesprávné údržby, komerčního používání výrobku, poškození v přepravě nebo z vyšší moci.

Nedoporučujeme provádět neodsouhlasené úpravy výrobku, realizovat opravy v neautorizované opravě a používat neschválené náhradní díly. Na případné následky se nevztahují služby podpory ani záruka na výrobek. Vyloučena jsou rovněž poškození způsobená nevhodným používáním a používáním výrobku v rozporu s návodem. Jedná se například o následující případy: Pokud je výrobek vystaven vlhku, extrémním teplotám, podmínkám

prostředí, korozi nebo oxidaci, pokud jsou na zařízení vylity tekutiny, pokud je výrobek vystaven vlivu chemických látek nebo pokud dojde k jiným okolnostem, které výrobce nemůže myslitelně ovlivnit.

Předpokladem pro zpracování v servisním oddělení je předložení účtenky nebo faktury.

Veškeré technické informace, údaje a pokyny k instalaci, připojení a provozu uvedené v tomto návodu k použití vycházejí z nejnovejších informací dostupných v době přípravy k tisku.

Obsah tohoto návodu se může mírně lišit od skutečného výrobku. Dbejte případných dodatků.

Veškeré názvy firem a výrobků jsou ochrannými známkami příslušných vlastníků. © Všechna práva vyhrazena.

Naleznete na zadní stránce příručky informace dovozce a autorizovaný servisní středisko.



Navrženo a zkonstruováno v USA.

© 2018 Vornado Air LLC Andover, KS 67002, USA. Přihlášeno k patentování v USA. Specifikace se mohou bez upozornění změnit. Vornado® je ochranná známka v majetku společnosti Vornado Air LLC.

Vi förväntar
oss att denna
produkt är
PERFEKT.

Är den inte det,
ser **VI** till att den
blir det.

vornado-deutschland.de
+49 (0) 531 224356-82
service@vornado-deutschland.de

INNEHÅLL

Viktiga instruktioner.....	146
Funktioner	151
Kontroller	152
Bruksanvisning	153
Montering	154
Rengöring	157
Felsökning	159
Ytterligare Produktinformation	160
Garanti	161

VIKTIGA INSTRUKTIONER

LÄS ALLA INSTRUKTIONER FÖRE ANVÄNDNING.

Denna ägarhandbok och alla eventuella bilagor anses vara del av denna produkt. De innehåller viktig information om säkerhet, användning, och bortskaffning. Bekanta dig med alla drifts- och säkerhetsinstruktioner innan du använder produkten. Spara all dokumentation för framtida referens och lämna över dessa dokument, tillsammans med produkten, till framtida ägare. Gå in på vår webbsida för den senaste versionen av ägarhandboken.

Följande varningsmeddelanden förekommer genom hela denna ägarhandbok:

FARA

Indikerar en fara med en HÖG risknivå som, om den inte undviks, kan leda till dödsfall eller allvarlig skada. Fäst särskild uppmärksamhet vid alla instruktioner som förklarar hur man undviker denna farliga risknivå.

VARNING

Indikerar en fara med en MEDELHÖG risknivå som kan, om den inte undviks, leda till dödsfall, allvarlig skada, lindrig eller måttlig skada eller potentiell skada på egendom.

VIKTIGA INSTRUKTIONER

Indikerar ytterligare information som underlättar skötsel och hantering av enheten.

AVSEDD ANVÄNDNING: Denna produkt är enbart avsedd för att cirkulera luften i inomhusbostäder. Denna produkt är inte avsedd för kommersiell eller industriell användning.

Tillverkaren tar inget ansvar för skador som orsakas av underlåtenhet att följa dessa instruktioner eller felaktig användning av produkten. Alla sådana handlingar kommer att upphäva garantin.

VARNING – Vid användning av elektriska apparater

måste grundläggande försiktighetsåtgärder alltid utföras för att minska risken för brand, elstötar och personskador, inklusive följande:

VARNING

Risker för barn och andra riskgrupper.

- Denna apparat kan användas av barn från 12 års ålder och personer med nedsatt fysisk, sensorisk eller mental förmåga eller som saknar erfarenhet och kunskap, om de övervakas eller har fått instruktioner om hur de använder apparaten på ett säkert sätt och förstår riskerna det innebär.
- Barn får inte leka med produkten.
- Rengöring och användarunderhåll får inte utföras av barn utan övervakning.
- Denna produkt och dess förpackningsmaterial är inga leksaker och ska förvaras utom räckhåll för barn.

VARNING

Risker på grund av icke avsedd användning och hantering. Se till att följa dessa riktlinjer för att

undvika risker för personer eller egendom.

- Använd inte denna produkt utomhus eller direkt exponerad för väder och vind.
- Använd inte denna enhet i tropiska och fuktiga klimat. Om produkten flyttas från kyliga till varma förhållanden (t.ex. under transport), kan kondensation bildas inuti enheten. Låt enheten uppnå rumstemperatur innan du använder den.
- Använd inte denna produkt på blöta underlag. Använd inte denna produkt i badkar eller duschar, och placera inte produkten där den kan falla ner i ett badkar, tvätt, swimmingpool eller annan vattenbehållare.
- Sänk inte ner denna produkt i vatten, och låt inte vatten tränga in i motorhuset.
- Använd inte nära ugnar, eldstäder, kaminer eller andra värmekällor med höga temperaturer.
- Positionera inte denna produkt för nära draperier eller andra lösa tyger eftersom de kan dras in i produkten och stoppa luftflödet och skada motorn.
- Bär inte denna produkt i sladden, och använd inte sladden som ett handtag eftersom detta kan skada de inre ledningarna. Koppla inte ur produkten

genom att dra i sladden, och utsätt inte sladden för påfrestningar. Ta tag i kontakten, inte strömsladden, för att koppla ur enheten.

- Placera inte sladden under mattor. Täck inte sladden med små mattor, gångmattor eller liknande överdrag. Placera inte sladden under möbler eller apparater. Placera inte sladden där många passerar eftersom någon kan snubbla på den. Rulla ihop och förvara strömsladden på ett säkert sätt för att undvika snubblingsrisk.
- Töm inte eller modifiera denna produkt på något sätt.
- Låt inte nätsladden komma i kontakt med vatten eller våt plats.
- Placera inte nätsladden nära värmekällor, t.ex. värmare eller radiatorer.

ELEKTRISK ANSLUTNING: Enheten får bara anslutas till det allmänna elnätet via ett lämpligt 230V~50Hz växelströmsuttag (AC).

FARA

Risk för elstötar. Kontakt med ledningar eller komponenter som är under spänning kan vara livsfarligt!

- Vidrör inte produkten med blöta eller fuktiga händer.
- Använd inte produkten om sladden eller kontakten är skadad, eller efter att produkten har krånglat, tappats eller skadats på annat sätt. Kassera produkten eller återlämna den till en auktoriserad serviceanläggning för undersökning och/eller reparation för att undvika faror.
- Om strömsladden är skadad måste den bytas ut av tillverkaren eller dennes serviceombud, eller en person med motsvarande kompetens för att undvika fara.
- Tänk inte ut strömsladden och utsätt den inte för påfrestning.
- För inte in eller tillåt främmande objekt att komma in i någon inlopps- eller utloppsöppning eftersom detta kan orsaka elstötar eller brand, eller skada produkten.
- Stäng av alla kontroller innan du drar ut sladden.

Dra ut sladden från vägguttaget om enheten inte ska användas under en längre tid.

- Öppna inte enhetens kåpa. För att undvika risker med elstötar måste all service och/eller reparation utföras av ett auktoriserat Vornado-servicecenter. Endast originalreservdelar får användas.
- Av säkerhetsskäl ska du alltid dra ut sladden till enheten i händelse av åska.

VARNING

Risker med felaktig installation. Se till att följa dessa riktlinjer för att undvika risker för personer eller egendom.

- Säkerställ att vägguttaget är lättåtkomligt så att enheten kan kopplas ur vid en nödsituation.
- För att minska risken för brand eller elstötar ska denna produkt inte användas med några externa (halvledare) hastighetsregulatorer.
- För att minska risken för brand eller elstötar och personskador ska produkten inte användas i fönster.

Information om EG-försäkran om överensstämmelse
Denna produkt uppfyller alla relevanta och nödvändiga EU-direktiv, inklusive:

- Lågspänningsdirektivet (LVD)
- Elektromagnetiska kompatibilitetsdirektivet (EMC)
- Energirelaterade produkt direktivet (ErP)
- Direktivet för restriktion av farliga ämnen (RoHS)
- Registrering, utvärdering, tillstånd, och begränsningar av kemikalier (REACH)

Den fullständiga överensstämmelse deklARATIONEN finns och kan erhållas från importören.



FÖRPACKNINGSAÅTERVINNING: Förpackningen skyddar apparaten från transportskada. Förpackningsmaterialet väljs utifrån dess miljövänlighet och avfallsbehandlingsteknik och kan därför återvinnas.

- Kassera allt förpackningsmaterial på ett miljövänligt och ansvarsfullt sätt.



Återvinning av WEEE

► Hantering av elektriskt och elektroniskt avfall:

Denna märkning indikerar att produkten inte ska kastas med annat hushållsavfall inom EU. För att förhindra eventuell skada på miljön eller mänsklig hälsa från okontrollerad avfallshantering ska återvinning utföras på ett ansvarsfullt sätt för att främja hållbar återanvändning av materiella resurser. Returnera din förbrukade enhet genom lokala retur- och insamlingssystem eller kontakta återförsäljaren där produkten köptes. De tar hand om denna produkt för säker och miljövänlig återvinning.

FUNKTIONER

KRAFFTFULL IP-54 MOTOR
Dammtät motor med lång livslängd som klarar av arbetsplatsen krävande villkor.

VERKTYGSFRI MONTERING

EXTRA LÅNG 2,4 m (8 fot) STRÖMKABEL
Den extra långa kabeln låter maskinen säkert kopplas till uttaget

VIPPSTRÖMBRYTARE
Extra stor dubbel vippströmbrytare för handskar

VÄGGFÄSTE
Väggfästet ger extra möjligheter

HALKSÄKRA FÖTTER
Produkten glider inte.



FINGERVÄNLIG DESIGN
Motstår nyfikna fingrar.

AVTAGBART GALLER
Gör rengöringen enklare.

VRIDBART HUVUD
Huvudet kan vridas 360° så att luften kan riktas där den behövs

HOPFÄLLBAR TRIPOD
Går snabbt och enkelt att sätta upp, ta ner och lägga undan

KONTROLLER

STRÖM PÅ/AV

Du kan välja fläkthastigheterna Hög (III), Medium (II), Låg (I) eller stänga av den (O).



BRUKSANVISNING

EXO5 kan användas på något av tre olika sätt.

1. TRIPOD



2. KLÄMMA



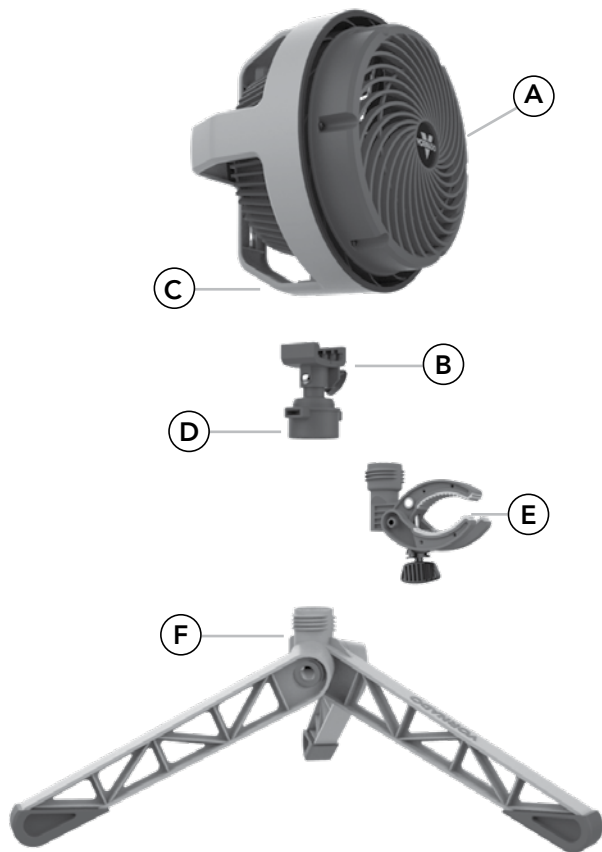
3. VÄGGFÄSTE



MONTERING

EXO5 kan användas på något av tre olika sätt.

1. Anslut kulle (B) till EXO5 fläkthuvudet (A) på ett plant underlag längs rullpallen (C). Innan du fortsätter, ser du till att vredet är ordentligt åtdraget och att kulle (B) är ordentligt fäst i fläkthuvudet (A). Kläm inte strömkabeln mellan kulle (B) och fläkthuvudet (A).
2. För att ansluta fläkthuvudet/kulle (B) till antingen klämman (E) eller tripoden (F) för du in den i undersidan av kulle (D) och vrider den tills den sitter säkert.
3. För att ta av klämman (E) eller tripoden (F), drar du den åt andra hållet tills den lossar.

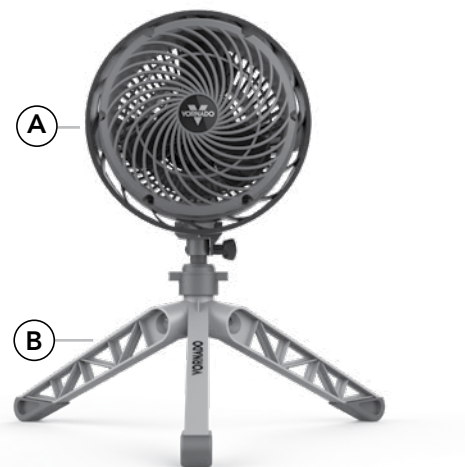


BRUKSANVISNING

FÄSTA TRIPODEN

1. Efter att produkten har monterats, placerar du den på ett jämnt och plant underlag enligt nedan.
2. För att justera huvudets vinkel, lossar du helt enkelt anslutningen mellan fläkthuvudet (A) och tripoden (B) genom att vrider den, ändra vinkeln och sedan dra åt den igen.

Obs: Produkten bör användas med tripoden (B) helt utfälld och säkrad till fläkthuvudet (A).



Obs: Oavsett vilken av de två metoderna du använder för att fästa produkten, måste strömkabeln dras säkert så att ingen trillar på den eller drar i den. Placera inte produkten så att den går enkelt att stöta in i.

FÄSTA KLÄMMAN

1. Efter att produkten har monterats, vrider du låsvredet (C) för att öppna klämman (D).
2. Placera klämman (D) över ett solitt underlag med en tjocklek på upp till 20 cm (2 tum).
3. Vrid låsvredet (C) för att dra åt den. Se till att klämman (D) är helt fäst i det solida underlaget innan du frigör den.

Obs: FÄST INTE på hala eller oljiga underlag då detta kan orsaka att produkten lossnar. Se till att det solida underlaget kan bära produktens vikt.



BRUKSANVISNING

INSTALLERA VÄGGFÄSTET

1. Hitta nyckelhålen (A) på baksidan av produkten.
2. Hitta punkterna på väggen där produkten ska monteras och märk ut dem med två cirklar. Cirklarna måste vara minst 5 tum från varandras mittpunkt.

OBS: Vi rekommenderar att EXO5 monteras på ett plant underlag eller regelvägg. Häng INTE produkten från taket. Använd gipsskruvar om en regel inte finns tillräcklig.

3. Borra in två #10 rundade skruvar i väggen (skruvar ingår inte). Skruvarna bör vara dimensionerade för 4,5 kg (10 lbs) vertikal belastning var.
4. Lämna 6 mm (1/4") av varje skruv utanför väggen.
5. Placera de breda delarna av nyckelhålen över huvudena på de två skruvarna.
6. Skjut ner produkten tills skruvarna ligger i den smala delen av nyckelhålen och produkten är fäst i underlaget.

Obs: Häng produkten på en stadig plats med stora skruvar som stöttar produkten. Se till att inte hänga produkten så att fläkten inte kan köras normalt eller sladden skadas. Se till att strömkabeln är dragen så att ingen trillar på den eller drar i den. Placera inte produkten så att den går enkelt att stöta in i.




RENGÖRING

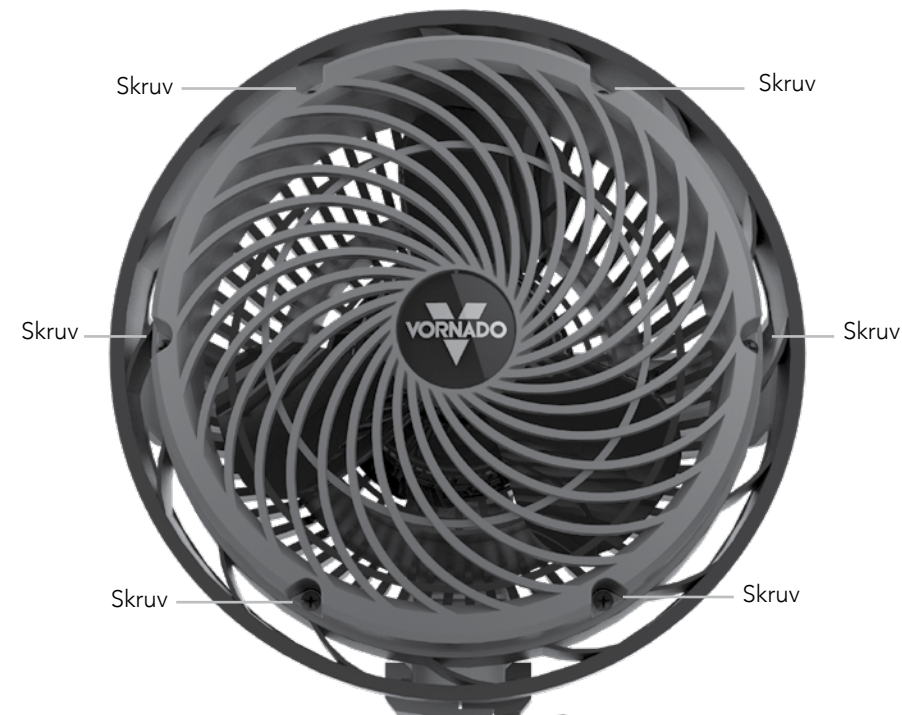
TA AV GALLRET *Skruvmejsel krävs.*

VARNING: För att minska risken för elchock och personskador, stänger du av fläkten och drar ut kontakten innan du tar avgallret.

1. Ta bort de 6 skruvarna på framsidan av gallret.
2. Damma av eller tvätta gallret med mildt diskmedel. Diska inte gallret i diskmaskinen. Värmen kan förvrida plasten.
3. För att sätta tillbaka gallret, matchar du de sex skruvhålen mot hålen bakom dem och sätter tillbaka alla skruvarna.

 Använd borsten på din dammsugare för att suga upp uppsamlat damm från framgallret och luftinloppen.

Obs: Motorn är permanent smörjd och måste inte smörjas.

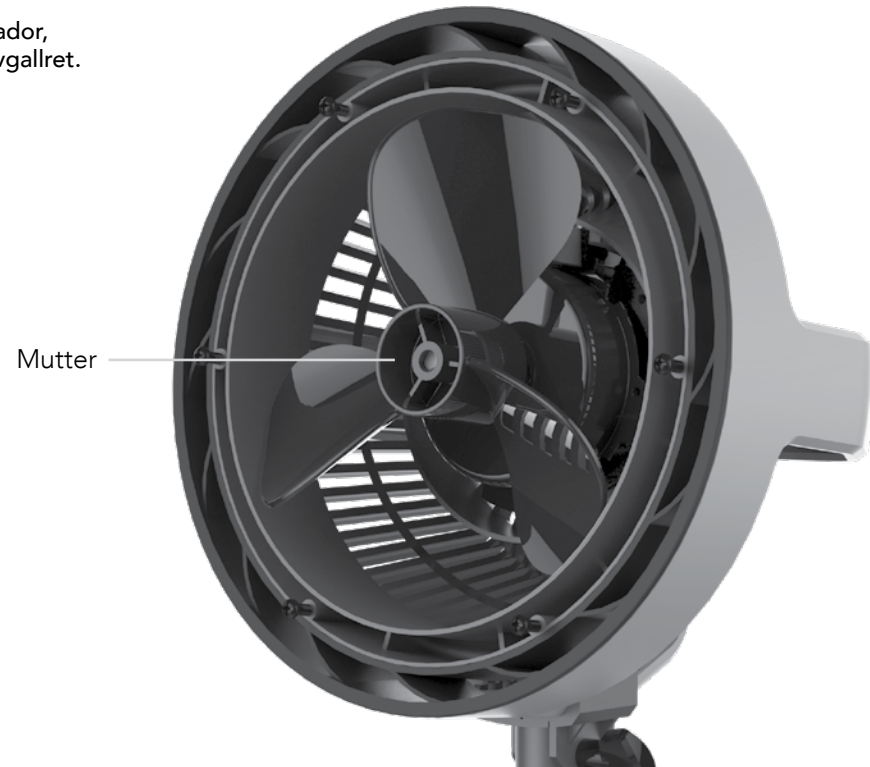


RENGÖRING

LOSSA BLADEN

VARNING: För att minska risken för elchock och personskador, stänger du av fläkten och drar ut kontakten innan du tar avgallret.

1. Börja med att avlägsna muttern från axeln genom att vrida den **medurs** för att lossa den. **Ta bort brickan.** Dra ut bladet rakt uppåt från axeln.
2. Torka av bladet med en fuktig duk. Om din cirkulator används i feta utrymmen som kök kan du behöva använda mild tvål eller ett normalt hushållsrengöringsmedel. Använd inte lösningsmedel. Diska inte bladen i diskmaskinen. Värmen kan förvrida plasten.
3. För att sätta tillbaka det, ser du till att den platta sidan av axeln ligger mot den platta sidan av bladets fäste. Tryck bladet så långt det går mot axeln. **Använd inte en hammare då detta kan skada lagren.** Sätt tillbaka brickan och muttern.



FELSÖKNING

PROBLEM

Enheten går inte att sätta på.

Luftflödet är svagt eller långsamt.

MÖJLIGA ORSAKER OCH LÖSNINGAR

Enheten är inte inkopplad. Koppla i sladden i eluttaget. Endast modell 683DC - Se till att växelströmssladden är inkopplad i nättaggatet och se till att likströmssladden är inkopplad i fläkten.

Se till att du har valt en hastighetsinställning på fläkten.

Enheten är skadad eller behöver repareras. Sluta använda och koppla ur den. Kontakta kundtjänst.


Uttaget är slitet eller skadat. Pröva ett annat uttag eller kontakta en behörig elektriker.

Enheten är inställd på för låg hastighet. Ställ in den på en högre hastighet.

Luftflödet är blockerat. Avlägsna blockaget.

Justera luftflödets riktning mot användaren.

YTTERLIGARE PRODUKTINFORMATION

Beskrivning	Symbol	Enhet	Värde
Ingående spänning		V	220 - 240
Nätspänningsfrekvens		Hz	50
Skyddsklass		Class	II / 
Dimensioner		W x H x D (cm)	47.8 x 50 x 42.7
Vikt		Approx. (g)	2712
Fläktens ingående strömstyrka	P	Watts (W)	35.35
Maximalt fläktflöde	F	m ³ /min	21.87
Servicevärde	SV	(m ³ /min)/W	0.62
Elförbrukning i viloläge	P _{SB}	Watts (W)	0.00
Avgiven ljudnivå	L _{WA}	dB(A)	67.8
Maximal lufthastighet	c	m/sec	3.219
Mätstandard för servicevärde	IEC 60879: 1986 corr(1992) GB/T 13380-2007		
Kontaktuppgifter för erhållande av mer information	Vornado Air LLC 415 East 13th Street Andover, KS 67002 USA		



BEGRÄNSAD GARANTI*

Vi förväntar oss att denna produkt är felfri. Låt oss få veta om du inte är nöjd med produkten.

* Begränsad garanti och reparation regler och villkor

Du får en frivillig fem år tillverkarens garanti från inköpsdatum på material och utförande av produkten. Denna förlängda tillverkningsgarantin gäller för alla kunder i Europa. De rättsliga garantianspråk påverkas inte av denna ytterligare förordning.

Tillverkaren åtar sig inget ansvar för skador som orsakats av underlåtenhet att följa dessa instruktioner eller felaktig användning av produkten. Allt sådant leder till att garantin upphör att gälla.

Denna garanti gäller inte för defekter som orsakats till följd av fel användning, modifiering, ändring, reparation eller service av produkten av någon annan än Vornado eller ett auktoriserat serviceställe, felhantering, felaktigt underhåll, kommersiell användning av produkten, skador som uppstår under transport eller tillskrivs force majeure.

All icke-auktoriserad produktmodifikation, reparation av icke-auktoriserat serviceställe eller användning av icke godkända reservdelar rekommenderas inte och eventuella konsekvenser täcks inte av supporttjänster eller produktgarantier.

Undantag är skador genom otillbörlig användning eller användning som

inte står i enlighet med manualen. Till exempel, men inte begränsat till: Om produkten utsätts för väta, extrema temperaturer, miljöförhållanden, korrosion, oxidation, om vätskor spills över enheten, om kemiska substanser påverkar produkten eller genom andra händelser som inte rimligen kan härledas till tillverkaren.

Förutsättningen för hantering av serviceavdelningen är insändande av kvitto eller faktura.

All teknisk information, data och instruktioner gällande installation, anslutning och drift som denna bruksanvisning innehåller stämmer överens med den senast tillgängliga informationen vid tryckningstillfället.

Innehållet i denna manual kan skilja sig något från den faktiska produkten. Observera eventuella tillägg.

Alla företags- och produktnamn är varumärken som tillhör respektive ägare. © Alla rättigheter reserverade.

Se bakstycket av ägarens guide för importören informationen och din auktoriserade servicecenter.



Utvecklad och konstruerad i USA.

© 2018 Vornado Air LLC Andover, KS 67002 U.S. patentsökt. Specifikationerna kan ändras utan föregående meddelande. Vornado® är ett varumärke som ägs av Vornado Air LLC.

Očakávame, že
tento produkt
je **DOKONALÝ**.

Ak nie je,
UROBÍME ho
takým.

vornado-deutschland.de
+49 (0) 531 224356-82
service@vornado-deutschland.de

OBSAH

Dôležité pokyny	164
Funkcie	169
Ovládacie Prvky	170
Ako Použiť	171
Montáž	172
Čistenie	175
Riešenie problémov	177
Doplňkové Informácie O Produkte.....	178
Záruka	179

DÔLEŽITÉ INŠTRUKCIE PRED POUŽÍVANÍM SI PREČÍTAJTE VŠETKY INŠTRUKCIE.

Tento návod a všetky prídavné dodatky sú súčasťou produktu. Obsahujú dôležité informácie o bezpečnosti, používaní a likvidácii. Pred používaním produktu sa oboznámte so všetkými inštrukciami týkajúcimi sa prevádzky a bezpečnosti. Všetku dokumentáciu si odložte pre prípadné ďalšie použitie a odovzdajte ju spolu s produktom nasledujúcemu vlastníkovi. Najaktuálnejšiu verziu používateľskej príručky nájdete na našej webovej stránke.

V tejto príručke používateľa sa nachádzajú nasledujúce upozornenia:

NEBEZPEČENSTVO

Označuje nebezpečenstvo s VYSOKOU úrovňou rizika, ktoré môže viesť, ak sa mu nepredíde, k usmrteniu alebo vážnemu zraneniu. Venujte, prosím, špeciálnu pozornosť všetkým inštrukciám

poskytnutým na to, aby sa predišlo tomuto veľmi nebezpečnému riziku.

VAROVANIE

Označuje nebezpečenstvo so STREDNOU úrovňou rizika, ktoré môže viesť, ak sa mu nepredíde, k usmrteniu alebo vážnemu zraneniu, malému alebo strednému zraneniu, alebo možnému poškodeniu majetku.

DÔLEŽITÉ INŠTRUKCIE

Označujú doplnkové informácie, ktoré sú nápomocné pri zaobchádzaní so zariadením.

ÚČEL POUŽÍVANIA: toto zariadenie je určené na cirkuláciu vzduchu len vo vnútorných obytných priestoroch. Nie je určené na komerčné alebo priemyselné použitie.

Výrobca nepreberá žiadnu zodpovednosť za poškodenia spôsobené nedodržaním týchto inštrukcií, alebo nevhodným používaním produktu.

Každé takéto konanie ruší platnosť záruky.

VAROVANIE – Pri používaní elektrických spotrebičov by sa vždy mali dodržiavať základné preventívne opatrenia, aby sa znížilo riziko požiaru, úrazu elektrickým prúdom a zranenia osôb vrátane nasledujúceho:

VAROVANIE

Nebezpečenstvo pre deti a iné rizikové skupiny osôb.

- Toto zariadenie môžu používať deti od 12 rokov a osoby so zníženou fyzickou, zmyslovou alebo mentálnou schopnosťou, alebo nedostatkom skúseností a znalostí, ak sú pod dozorom, alebo im boli poskytnuté inštrukcie týkajúce sa používania zariadenia bezpečným spôsobom a chápu súvisiace riziká.
- Deti sa nesmú so zariadením hrať.
- Deti nesmú robiť čistenie a údržbu bez dozoru.
- Tento produkt a materiál, v ktorom je zabalený, nie sú hračky a mali by byť umiestnené mimo

dosahu detí.

VAROVANIE

Riziko vyplývajúce z používania a zaobchádzania so zariadením iným spôsobom než na čo bolo určené. Dbajte na dodržiavanie nasledujúcich pokynov, aby ste sa vyhli ohrozeniu osôb a majetku.

- Nepoužívajte tento produkt vonku, ani ho priamo nevystavujte vonkajším poveternostným podmienkam.
- Nepoužívajte toto zariadenie v tropickom vlhkom podnebí. Ak sa produkt prinesie z chladného do teplého prostredia (napr. počas prepravy), môže sa na jednotke vytvoriť kondenzát. Pred používaním nechajte zariadenie dosiahnuť izbovú teplotu.
- Nepoužívajte tento produkt na mokrom povrchu. Tento produkt nepoužívajte vo vani, sprche ani ho neumiestňujte tam, kde by mohol spadnúť do vane, prania, bazéna alebo iného kontajnera s vodou.

- Neponárajte tento produkt do vody ani nedovoľte, aby voda kvapkala do krytu motora.
- Nepoužívajte ho v blízkosti pecí, kozubov, sporákov alebo iných vysokotepeľných zdrojov tepla.
- Neumiestňujte tento produkt do blízkosti závesov ani iných voľných textílií, mohli by byť vtiahnuté do produktu, zamedziť prúdeniu vzduchu a poškodiť motor.
- Neprenášajte tento produkt držaním za kábel, ani nepoužívajte kábel ako rúčku, lebo by sa mohlo poškodiť vnútorné elektrické vedenie. Produkt neodpájajte ťahaním za kábel, ani kábel nenamáhajte. Pri odpájaní zo siete uchopte zástrčku, nie sieťový kábel.
- Neumiestňujte kábel pod podlahovú krytinu. Nezakrývajte ho kobercami, behúňmi ani podobnými prikrývkami podlahy. Nevedzte kábel pod nábytkom alebo spotrebičmi. Kábel umiestnite mimo oblasti pohybu a nie tam, kde by oň mohol niekto zakopnúť. Aby sa predišlo zakopnutiu, zviňte a umiestnite sieťový kábel na bezpečné miesto.

- Nestrácajte ani neupravujte tento produkt.
- Nedovoľte, aby sa sieťový kábel dostal do kontaktu s vodou alebo vlhkými miestami.
- Neumiestňujte napájací kábel do blízkosti zdrojov tepla, ako sú ohrievače alebo radiátory.

ELEKTRICKÉ ZAPOJENIE: na pripojenie do verejnej elektrickej siete je možné použiť len vhodnú sieťovú zásuvku so striedavým napätím 230 V a frekvenciou 50 Hz.

NEBEZPEČENSTVO

Riziko úrazu elektrickým prúdom. Dotyk vodičov alebo komponentov pod napätím môže mať smrteľné následky!

- Nedotýkajte sa tohto produktu mokrými alebo vlhkými rukami.
- Nepoužívajte produkt, ak má poškodený kábel alebo zástrčku, alebo ak mal poruchu, spadol, alebo bol inak poškodený. Aby sa predišlo nebezpečenstvu, takýto produkt zlikvidujte,

alebo ho odneste do autorizovaného servisného strediska na kontrolu a/alebo opravu.

- Ak je sieťový prívod poškodený, musí ho výrobca, alebo pracovník servisu, alebo iná kvalifikovaná osoba nahradiť novým. Predíde sa tak nebezpečenstvu.
- Nenaťahujte sieťový kábel, ani ho inak nenamáhajte.
- Nevkladajte, ani nedovoľte, aby sa cudzie predmety dostali do vstupných alebo výstupných otvorov, lebo by mohli spôsobiť úraz elektrickým prúdom, požiar, alebo poškodenie produktu.
- Pred odpojením vypnite všetky ovládacie prvky. Ak sa zariadenie nebude dlhšiu dobu používať, vytiahnite ho zo sieťovej zásuvky.
- Neotvárajte kryt zariadenia. Servis a opravy zariadenia sa musia robiť v autorizovanom servisnom stredisku Vornado. Predíde sa tak úrazu elektrickým prúdom. Môžu sa použiť len originálne náhradné diely.
- Počas búrky zariadenie z bezpečnostných dôvodov vždy odpojte od sieťovej zásuvky.

VAROVANIE

Nebezpečenstvo nesprávnej inštalácie. Dbajte na dodržiavanie nasledujúcich pokynov, vyhnite sa ohrozeniu osôb a majetku.

- Zabezpečte, aby bola sieťová zásuvka ľahko dostupná a zariadenie sa dalo v prípade nebezpečenstva odpojiť.
- Nepoužívajte tento produkt so žiadnym externým (polovodičovým) zariadením regulovania rýchlosti, znížite tak riziko požiaru alebo úrazu elektrickým prúdom.
- Nepoužívajte zariadenie v okne, znížite tak riziko požiaru alebo úrazu elektrickým prúdom a poranenia osôb.

Informácia týkajúca sa vyhlásenia o zhode ES

Tento produkt zodpovedá všetkým relevantným a nevyhnutným smerniciam ES, ku ktorým patrí:

- Smernica o nízkonapäťových zariadeniach (LVD)
- Smernica o elektromagnetickej kompatibilite (EMC)
- Smernica o výrobkoch súvisiacich s energiou

(ErP)

- Smernica o obmedzení používania určitých nebezpečných látok (RoHS)
- Registrácia, hodnotenie, autorizácia a obmedzovanie chemických látok (REACH)

Kompletné vyhlásenie o zhode je zaregistrované a dá sa získať od dovozcu.



RECYKLOVANIE OBALU: obal chráni zariadenie počas prepravy pred poškodením. Materiály použité na zabalenie sú vybrané vzhľadom na ohľaduplnosť voči životnému prostrediu a technológii likvidácie, a preto sú recyklovateľné.

- Všetok baliaci materiál zlikvidujte spôsobom šetrným k životnému prostrediu.



Recyklovanie odpadu elektrických a elektronických zariadení (WEEE)

- **Likvidácia odpadu elektrických a elektronických zariadení:** toto označenie znamená, že tento výrobok by nemal byť zlikvidovaný spolu s iným domácim odpadom. Platí to v celej EÚ. Aby sa predišlo poškodeniu životného prostredia, alebo ľudského zdravia nekontrolovanou likvidáciou odpadu, zodpovedne ho recyklujte podporovaním udržateľného využívania druhotných surovín. Na vrátenie použitého zariadenia použite systém zberných miest alebo kontaktujte predajcu, u ktorého ste výrobok zakúpili. Môžu tento produkt prebrať na recykláciu bezpečnú pre životné prostredie.

FUNKCIE

VÝKONNÝ MOTOR S OCHRANOU IP-54
Prachodolný motor s dlhou životnosťou, ktorý znesie otrasy na stavenisku.

MONTÁŽ BEZ NÁSTROJOV

EXTRADLHÝ 8' (2,4 m) SIEŤOVÝ PRÍVOD
Dostatočná dĺžka sieťového prívodu plus plne bezpečné pripojenie do steny

PÁKOVÝ PEPÍNAC
Nadmerne veľký pákový prepínač usporiadaný na rukavice

NAMONTOVATEĽNÝ NA STENU
Pridaná možnosť pripevnenia na stenu

NEŠMYKĽAVÁ NOHA
Produkt zostane tam, kde ho umiestnite.



FINGER FRIENDLY DIZAJN
Odolný voči zvedavým prstom.

SNÍMATEĽNÁ MRIEŽKA
Pre ľahké čistenie.

OTÁČACIA HLAVICA
360-stupňová otočná hlavica na nasmerovanie vzduchu

SKLADATEĽNÝ TROJNOHÝ STOJAN
Rýchle a jednoduché zostavenie, rozobratie a uskladnenie

OVLÁDACIE PRVKY

VYPÍNAČ ZAP./VYP.
Voľba vysokej (III),
strednej (II), nízkej (I)
rýchlosti ventilátora
alebo vypnutie (O).



AKO POUŽIŤ

Jednotku EXO5 je možné používať jedným z troch rôznych spôsobov.

1. TROJNOHÝ STOJAN



2. SVORKA



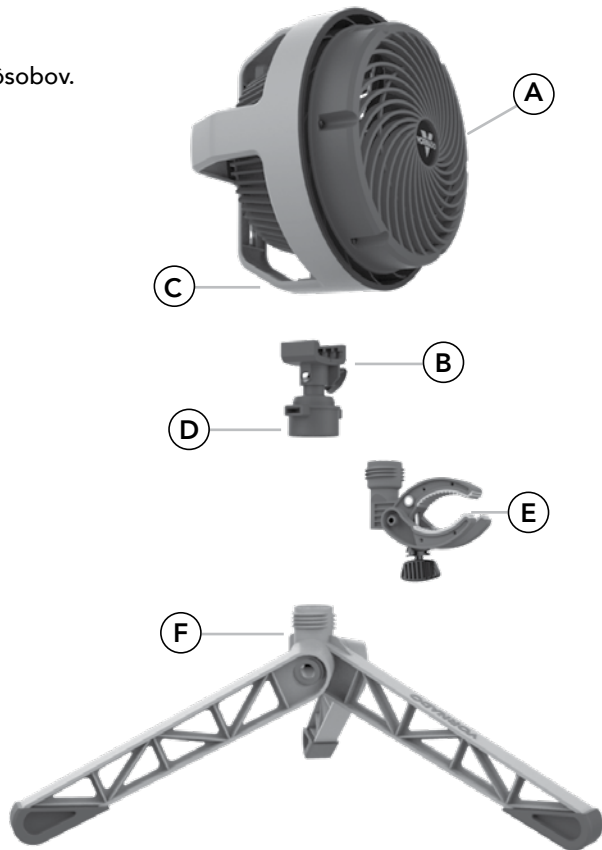
3. MONTÁŽ NA STENU



MONTÁŽ

Jednotku EXO5 je možné používať jedným z troch rôznych spôsobov.

1. Pripojte zaistovací hrdlový spoj (B) k hlavici ventilátora (A) prístroja EXO5 na ľubovoľnom plochom povrchu pozdĺž klietky (C). Skôr než budete pokračovať, ubezpečte sa, že kolík je dôkladne zatiahnutý a zaistovací hrdlový spoj (B) je úplne pripevnený k hlavici ventilátora (A). Nepřicviknite sieťový kábel medzi zaistovací hrdlový spoj (B) a hlavici ventilátora (A).
2. Pripojenie zostavy hlavice ventilátora/ zaistovacieho hrdlového spoja buď k svorky (E), alebo trojnohému stojanu (F) urobte jednoduchým vložením do spodnej časti zaistovacieho hrdlového spoja (D) a otočením do zaistenia.
3. Odstránenie svorky (E) alebo trojnohého stojana (F) urobte jednoduchým otočením, pokiaľ sa neuvolní.

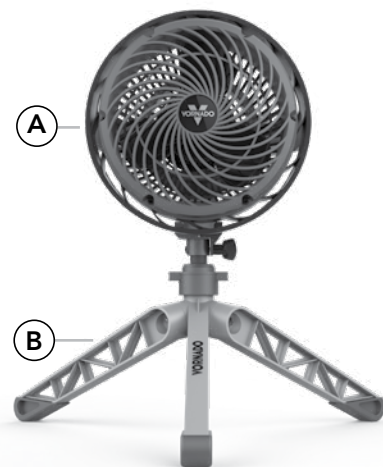


AKO POUŽIŤ

PRÍPEVNENIE TROJNOHÉHO STOJANA

1. Po zostavení produktu umiestnite jednotku na ploché a rovné miesto ako je znázornené nižšie.
2. Nastavenie sklonu hlavice urobte jednoduchým uvoľnením spojenia medzi hlaviciou ventilátora (A) a trojnohým stojanom (B) otočením, nastavte požadovaný uhol a potom otočením opäť pritiahnite.

Poznámka:
Produkt by sa mal používať s trojnohým stojanom (B) v plne vytiahnutej pozícii a dôkladne pripevneným k hlavici ventilátora (A).



Poznámka: Pri oboch možnostiach upevnenia dbajte na bezpečné umiestnenie elektrického kábla, aby sa predišlo jeho zakopnutiu alebo potiahnutiu. Vyhnite sa umiestneniu produktu na miesto, kde by sa doňho dalo ľahko naraziť.

PRÍPEVNENIE SVORKY

1. Po zostavení produktu otočte vačkový zámok (C), aby sa otvorila svorka (D).
2. Svorku (D) umiestnite na pevný povrch s hrúbkou do 2" (20 cm).
3. Otočením vačkového zámku (C) utiahnite. Dbajte na to, aby bola svorka (D) pred uvoľnením celá na pevnom povrchu.

Poznámka:
NEPRIPEVNŮJTE na hladké alebo naolejované povrchy, pretože by sa produkt mohol z nich uvoľniť. Uistite sa, že pevný povrch udrží hmotnosť produktu.



AKO POUŽIŤ

INŠTALÁCIA NA STENU

1. Na zadnej časti produktu nájdite otvory na zavesenie (A).
2. Určite si a označte dva kruhy na stene, kde bude produkt upevnený. Kruhy musia byť od stredu k stredu vzdialené 5".
POZNÁMKA: Jednotku EXO5 sa odporúča upevniť na pevný povrch alebo skrutku v stene. **NEVEŠAJTE** produkt na strop. Použite rozperky do sadrokartónu, ak skrutka nie je k dispozícii.
3. Do steny navráťajte 2 krížové skrutky #10 (skrutky nie sú súčasťou výbavy). Každá skrutka by mali byť vhodná na udržanie vertikálnej záťaže hmotnosti 10 libier (4,5 kg).
4. Každú skrutku nechajte vyčnievať asi 1/4" (6 mm).
5. Široké časti otvorov na zavesenie umiestnite nad hlavy 2 skrutiek.
6. Potiahnite produkt nadol, až kým sa skrutky nedostanú do vnútra úzkej časti otvorov na zavesenie a produkt nie je upevnený k povrchu.

Poznámka: Na robustnejších miestach použite na zavesenie produktu väčšie skrutky, ktoré budú tvoriť oporu produktu. Dávajte pozor, aby ste nezavesili produkt tak, že zabraňuje normálnej činnosti ventilátora alebo poškodzuje kábel. Dbajte na bezpečné umiestnenie elektrického kábla, aby sa predišlo jeho zakopnutiu alebo vytiahnutiu. Vyhnite sa umiestneniu produktu na miesto, kde by sa doňho dalo ľahko naraziť.




ČISTENIE

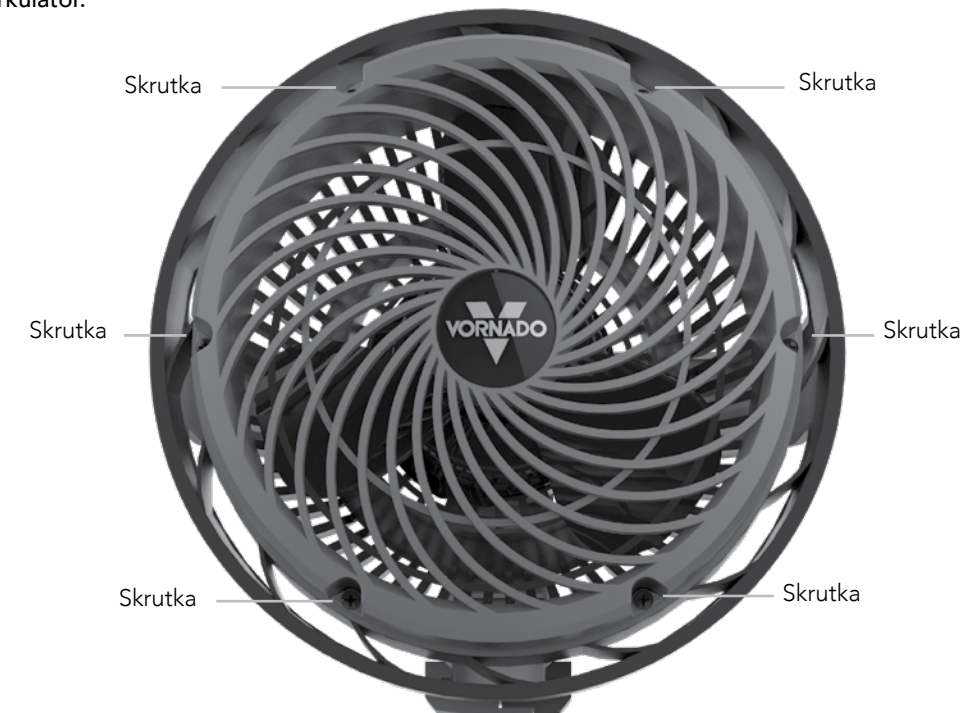
ODSTRÁNENIE MRIEŽKY *Potrebný je skrutkovač.*

UPOZORNENIE: Aby ste predišli riziku úrazu elektrickým prúdom a zraneniu osôb, uistite sa, že je ventilátor vypnutý a pred odstránením mriežky odpojte cirkulátor.

1. Odstráňte 6 skrutiek, ktoré sú umiestnené na prednej časti mriežky.
2. Oprášte alebo umyte prednú mriežku jemným prostriedkom na umývanie riadu. Neumývajte mriežku v umývačke riadu. Nadmerné teplo môže skriviť plast.
3. Opätovné pripevnenie – zarovnajte 6 otvorov na skrutky a opäť všetky skrutky zaskrutkujte.

 Použite nástavec s kefou od vášho vysávača na povysávanie nahromadeného prachu z prednej mriežky a prívodu vzduchu.

Poznámka: Motor je neustále mastený a nevyžaduje oleje.



ČISTENIE

ODSTRÁNENIE LOPATIEK

UPOZORNENIE: Aby ste predišli riziku úrazu elektrickým prúdom a zraneniu osôb, uistite sa, že je ventilátor vypnutý a pred odstránením mriežky odpojte cirkulátor.

1. Najprv odstráňte maticu z hriadeľa otáčaním **v smere hodinových ručičiek** až pokým sa neuvolní. **Dajte dole podložku.** Vytiahnite lopatky priamo z hriadeľa.
2. Utrite lopatky ventilátora navlhčenou handričkou. Ak je váš cirkulátor používaný v masťnom prostredí ako je kuchyňa, jemné mydlo alebo bežný čistiaci prostriedok môžu byť potrebné. **Nepoužívajte rozpúšťadlá.** Neumývajte lopatky ventilátora v umývačke riadu. Nadmerné teplo môže skriviť plast.
3. Pre opätovné pripevnenie sa uistite, že plochá strana hriadeľa je zarovnaná priamo s príslušnou plochou stranou na zásuvke pre lopatky. **Zatlačte lopatky celkom do hriadeľa, až kým úplne nezapadne. Nepoužívajte kladivo. Mohlo by to viesť k poškodeniu.** Zhov nasad'te podložku a maticu.



RIEŠENIE PROBLÉMOV

PROBLÉM

Jednotka sa nezapla.

MOŽNÁ PRÍČINA A RIEŠENIE

Jednotka nie je zapojená. Zapojte napájací kábel do elektrickej zásuvky. Platí iba pre Model 683 DC - Uistite sa, že kábel so striedavým prúdom je zapojený do zdroja a kábel s jednosmerným prúdom je zapojený do cirkulátora.

Uistite sa, že je zvolená rýchlosť.

Jednotka je poškodená alebo potrebuje opravu. Prestaňte používanie a odpojte. Kontaktujte spotrebiteľský servis pre technickú podporu.ance.

Jednotka je poškodená alebo potrebuje opravu. Prestaňte používanie a odpojte. Kontaktujte spotrebiteľský servis pre technickú podporu.


Prúdenie vzduchu je slabé alebo pomalé.

Výrobok je nastavený na nízku rýchlosť. Upravte na vyššiu rýchlosť.

Prúdenie vzduchu je blokovávané. Odstráňte prekážku.

Prispôsobte smer prúdenia vzduchu smerom k užívateľovi.

DOPLNKOVÉ INFORMÁCIE O PRODUKTE

Opis	Symbol	Jednotka	Hodnota
Vstupné napätie		V	220 - 240
Frekvencia sieťového napätia		Hz	50
Trieda ochrany		Class	II / 
Rozmery		W x H x D (cm)	47.8 x 50 x 42.7
Hmotnosť		Approx. (g)	2712
Vstupný výkon ventilátora	P	Watts (W)	35.35
Maximálny prietok	F	m ³ /min	21.87
Hodnota energetickej efektívnosti	SV	(m ³ /min)/W	0.62
Spotreba v pohotovostnom režime	P _{SB}	Watts (W)	0.00
Hladina vyžiarého hluku	L _{WA}	dB(A)	67.8
Maximálna rýchlosť vzduchu	c	m/sec	3.219
Norma merania pre hodnoty energetickej efektívnosti	IEC 60879: 1986 corr(1992) GB/T 13380-2007		
Kontaktné údaje na získanie podrobnejších informácií	Vornado Air LLC 415 East 13th Street Andover, KS 67002 USA		



OBMEDZENÁ ZÁRUKA*

Očakávame, že tento produkt je dokonalý. Ak s týmto produktom nie ste spokojní, dajte nám vedieť.

*Obmedzená záruka a oprava obchodných podmienok

Dobrovoľné desaťročná výrobcu dostanete od dátumu nákupu materiálov a vyhotovenia výrobku. Táto rozšírená záruka výrobcu je platná pre všetkých zákazníkov v Európe. Právne záruky sú ovplyvnené týmto nariadením.

Výrobca nepreberá žiadnu zodpovednosť za poškodenie spôsobené nedodržaním týchto inštrukcií, alebo nevhodným použitím výrobku. Každé takéto počínanie zruší záruku výrobku.

Táto záruka sa nevzťahuje na chyby vyplývajúce z nesprávneho použitia výrobku, na zmeny, úpravy, opravy alebo servis výrobku vykonané niekým iným než spoločnosťou Vornado alebo autorizovaným servisným strediskom, na neodbornú manipuláciu, nevhodnú údržbu, komerčné používanie, na poškodenia, ku ktorým dôjde počas prepravy alebo sú zapríčinené vyššou mocou.

Akékoľvek neautorizované zmeny a opravy vykonané v neautorizovaných strediskách opravy, alebo použitie neschválených náhradných dielov sa neodporúča a žiadne dôsledky nebudú kryté podpornými službami ani zárukami.

Zo záruky sú vylúčené poškodenia v dôsledku nevhodného použitia výrobku, alebo použitia inak než podľa návodu. Napríklad, ale nielen: ak je výrobok vystavený vlhku, extrémnym teplotám, podmienkam prostredia, korózii, oxidácii, ak sa tekutiny vylejú na zariadenie, ak chemické látky pôsobia na výrobok, alebo iné prípady, na ktoré nemá výrobca vplyv.

Predpokladom na prijatie zariadenia v servisnom oddelení je predloženie účtenky alebo faktúry.

Všetky technické informácie, údaje a inštrukcie na inštaláciu, pripojenie a prevádzku obsiahnuté v tomto návode na používanie zodpovedajú najnovším dostupným informáciám v čase vytlačenia.

Obsah tohto návodu sa môže nepatrne líšiť od skutočného výrobku. Všimnite si všetky prídavné informácie.

Všetky názvy spoločností a názvy výrobkov sú obchodné značky ich vlastníkov. © Všetky práva vyhradené.

Označovať zadný kryt vlastníku príručka pre informácie o dovozcovi a autorizovaného servisného strediska.



Dizajn a návrh v USA.

© 2018 Vornado Air LLC Andover, KS 67002 USA. Prerokovaná patentová prihláška. Špecifikácie podliehajú zmenám bez upozornenia. Vornado® je obchodná značka spoločnosti Vornado Air LLC.

