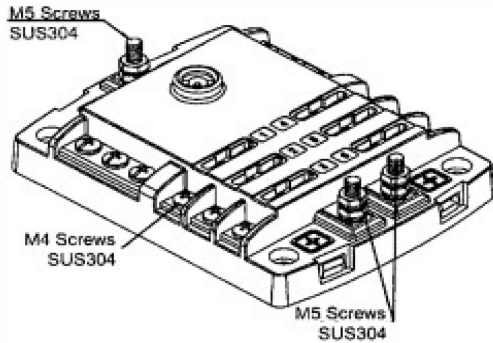


Data Sheet

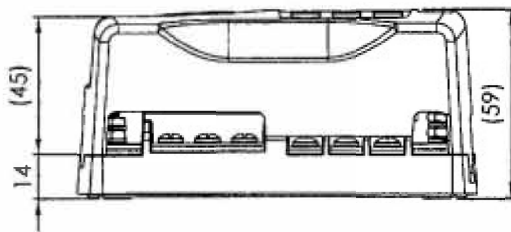
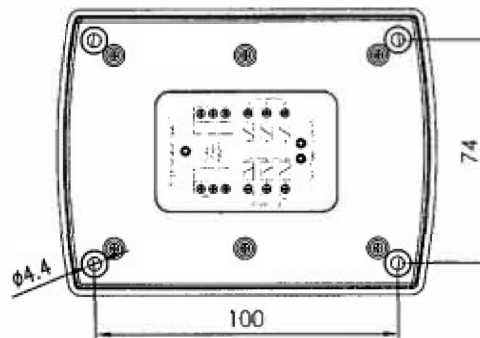
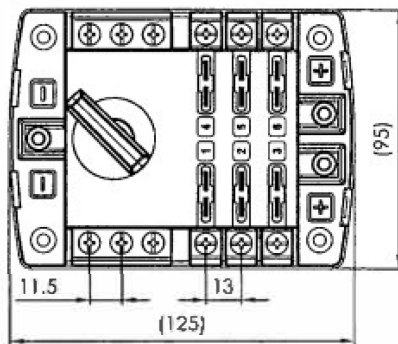



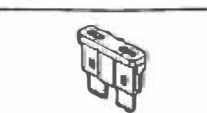

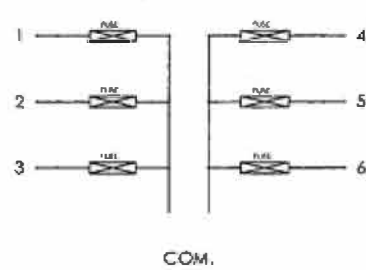
Material :

- Cover : PC, Clear.
- Housing &. Base : PBT, Black
- Terminal : Tinned copper
- Button: PA, Red

NOTE:

- Rating 100A max. tested by 3 pcs. 30A load.
- Tolerance ± 0.5 except noticed



Voltage (Max.)	32 VDC.	Mounting Holes	Blade Fuse Isometric View
Input Terminal Rating	M5 threaded studs (100A max.)		
Output Terminal Rating	30A/30A max. load per circuit.		
Connection Pad Option Available	Input wire size : #4-6 AWG. Output wire size : #12-16 AWG.	Terminal Dim.	Blade Fuse Dim.
Fuse Specifications	For ATC Blade Fuses Used Only		
Torque Rating	20 in-lb (2.25Nm) max.		
Mounting Torque Rating	8 in-lb (0.9Nm) max.		
Temperature Rating	-25 °C to +85 °C	Circuit Diagram	

Lock: Press Down Red Button Turn to right
Open: Red Button Turn left to open cabinet

