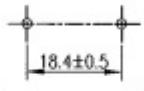


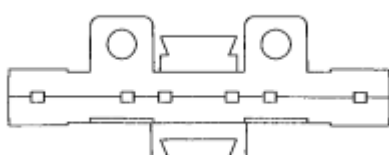
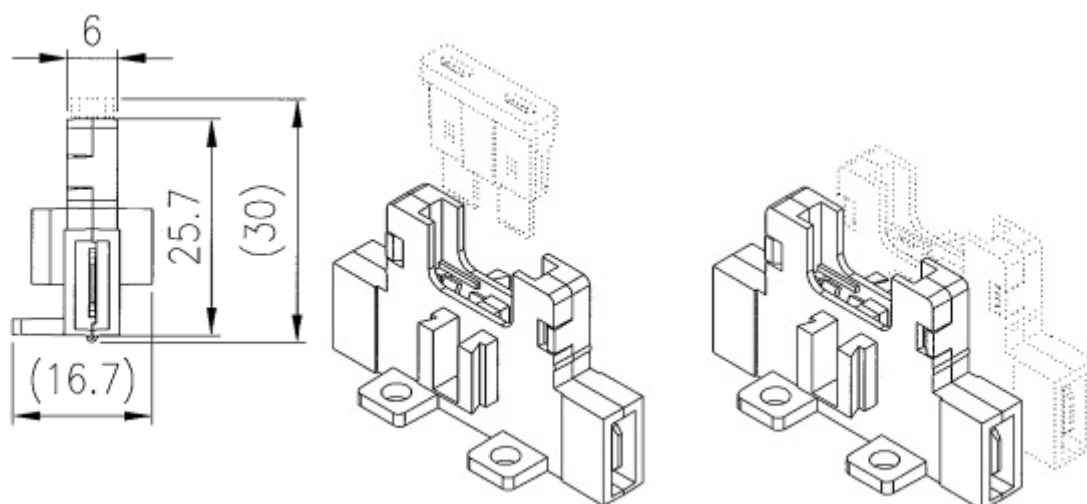
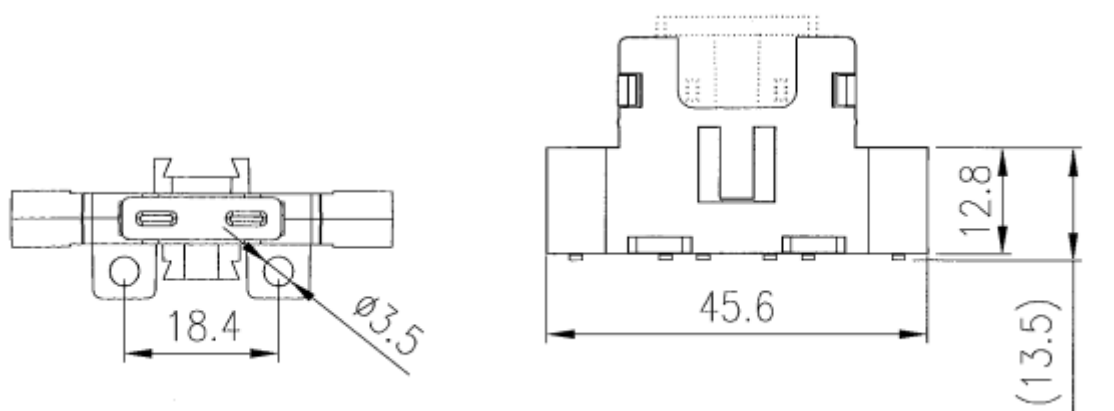


# Data Sheet

Voltage (Max.)	32 VDC (15 VDC).	Mounting Holes	Blade Fuse Dim.
Input Terminal Rating	0.25" Terminal 30A max.		
Output Terminal Rating	0.25" Terminal 30A max.		
Fuse Specifications	For Blade Fuses Used Only	Terminal Dim.	
Temperature Rating	-20 °C to 85 °C		



Specifications:  
 \*Terminal : brass  
 \* Base material: Flame retardant plastic  
 NOTE:  
 Tolerance ±0.5 except noticed