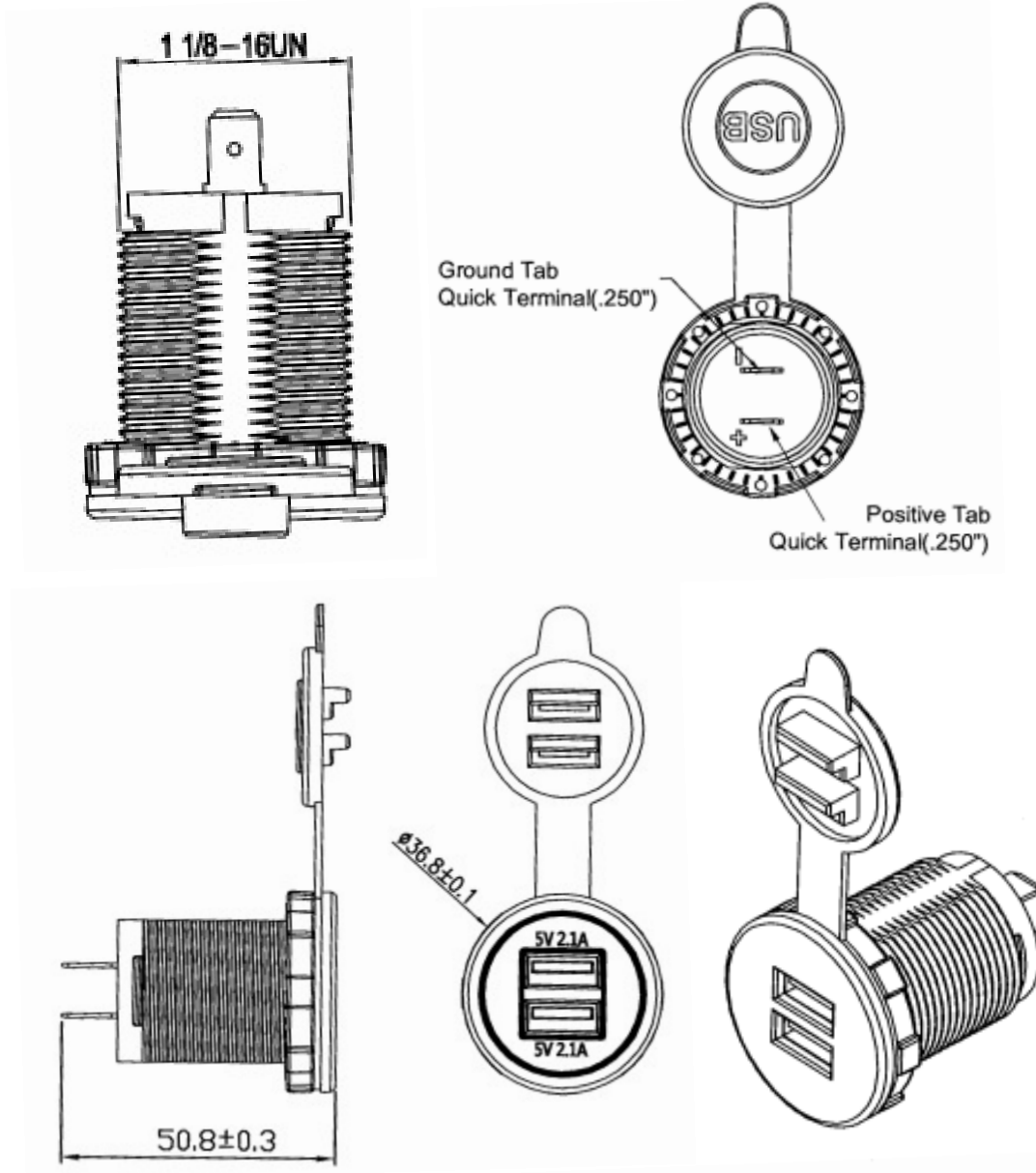
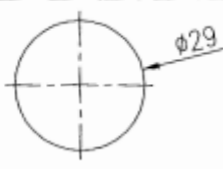


Data Sheet



Rating	Input: 12V/24 DC Output: 5V DC 2.1A+2.1A max.	<p style="text-align: center;">Mounting Hole</p> 
Insulation Resistance	DC 500V 100MΩ Min.	
Dielectric Strength	AC 1500V 1 minute	
Operating Temperature	-0°C~40°C	