



# **LUCCI AIRFUSION ARIA CEILING FAN**

- **INSTALLATION**
- **OPERATION**
- **MAINTENANCE**
- **WARRANTY INFORMATION**

## **CAUTION**

**READ INSTRUCTIONS CAREFULLY FOR SAFE  
INSTALLATION AND FAN OPERATION.**

## CONTENTS

<b>GB</b>	Installation instruction manual .....	2
<b>D</b>	Installationsanleitung .....	12
<b>F</b>	Guide d'installation.....	22
<b>E</b>	Manual de instrucciones de instalación.....	32
<b>I</b>	Manuale delle istruzioni di installazione.....	41
<b>NL</b>	Installatiehandleiding.....	50
<b>EL</b>	Εγχειρίδιο οδηγιών εγκατάστασης .....	59

### Contact:

#### **Beacon International Ltd**

Hong Kong Head Office: Room 05, 18/F, Kimberland Center, 55 Wing Hong Street, Cheung Sha Wan Kowloon, Hong Kong  
Tel +852 34915904 Fax +852 34915917

China showroom / Office: 11/FI, Guzhen Lighting Building B, Mid Zhongxing Road, Guzhen, Zhongshan, GuangDong, China.  
Tel: +86 760 8986 6388 Fax: +86 760 8986 6380

info@beaconinternational.com

www.beaconinternational.com

#### **Beacon Lighting Europe GmbH**

Diessemer Bruch 170-172, 47805 Krefeld, Germany

TEL +49 (2151) 325 82 39 FAX +49 (2151) 325 70 65

sales@beaconlighting.eu

www.beaconlighting.eu



This fan is suitable for indoor, alfresco and coastal areas where the fan is fully undercover with a minimum of 1 walls. This fan is not waterproof. When installed in an alfresco or coastal area, the ceiling fan must be positioned in a location protected from water, wind and dust. Exposure to these elements will void the warranty. Mounting the fan in a situation where it is subject to water or moisture is dangerous.

**GB****THANK YOU FOR PURCHASING**

Thank you for purchasing this quality Lucci product. To ensure correct function and safety, please read and save all instructions before using the product.

**SAFETY PRECAUTIONS**

1. In Europe: This appliance can be used by children aged from 8 years and above and persons with reduced physical, sensory or mental capabilities or lack of experience and knowledge if they have been given supervision or instruction concerning the use of the appliance in a safe way and understand the hazards involved. Cleaning and maintenance shall not be undertaken by children without supervision.
2. In Australia: The appliance is not intended for use by persons (including children) with reduced physical, sensory or mental capabilities, or lack of experience and knowledge, unless they have been given supervision or instruction concerning the use of the appliance by a person responsible for their safety.
3. Children should be supervised to ensure that they do not play with the appliance.
4. An all-pole disconnection switch must be incorporated into the fixed wiring, in accordance with local wiring rules.

**IN AUSTRALIA****WARNING:**

**FOR SAFE USE OF THIS FAN AN ALL-POLE DISCONNECTION  
MUST BE INCORPORATED INTO THE FIXED WIRING IN  
ACCORDANCE WITH THE WIRING RULES.**

As outline in clause 7.12.2 of AS/NZS 60335-1 for meeting the minimum electrical safety of this standard.

Please note warranty will be void if installation is without a means for



This fan is suitable for indoor, alfresco and coastal areas where the fan is fully undercover with a minimum of 1 walls. This fan is not waterproof. When installed in an alfresco or coastal area, the ceiling fan must be positioned in a location protected from water, wind and dust. Exposure to these elements will void the warranty. Mounting the fan in a situation where it is subject to water or moisture is dangerous.

an all-pole disconnection incorporated in the fixed wiring in accordance with the wiring rules.

Example: If a fan is connected to a circuit that can be isolated via an all-pole safety switch at the switchboard, then this is considered to be an all-pole disconnection to the ceiling fan electrical circuit, meeting the requirements of clause 7.12.2 of AS/NZS 60335.1.

**A single-pole switch on the active of the receiver input of remote control must also be included in the wiring, and located the same room as the ceiling fan.**



5. Do not dispose of electrical appliances as unsorted municipal waste, use separate collection facilities. Contact your local government for information regarding the collection systems available. If electrical appliances are disposed of in landfills or dumps, hazardous substances can leak into the ground water and get into the food chain, damaging your health and well-being.
6. The structure to which the fan is to be mounted must be capable of supporting a weight of 30kg.
7. The fan should be mounted so that the blades are at least 2.3 m above the floor in Europe or 2.1 m above the floor in Australia.
8. This fan is suitable for indoor, alfresco and coastal areas where the fan is fully undercover with a minimum of 1 walls. This fan is not waterproof. When installed in an alfresco or coastal area, the ceiling fan must be positioned in a location protected from water, wind and dust. Exposure to these elements will void the warranty. Mounting the fan in a situation where it is subject to water or moisture is dangerous.
9. Only a licensed electrician should execute the installation.
10. WARNING: If unusual wobbling or oscillating movement is observed, immediately stop using the ceiling fan and contact the manufacturer, its service agent or suitably qualified persons.
11. The replacement of parts of the safety suspension system device shall be performed by the manufacturer, its service agent or suitably qualified persons.

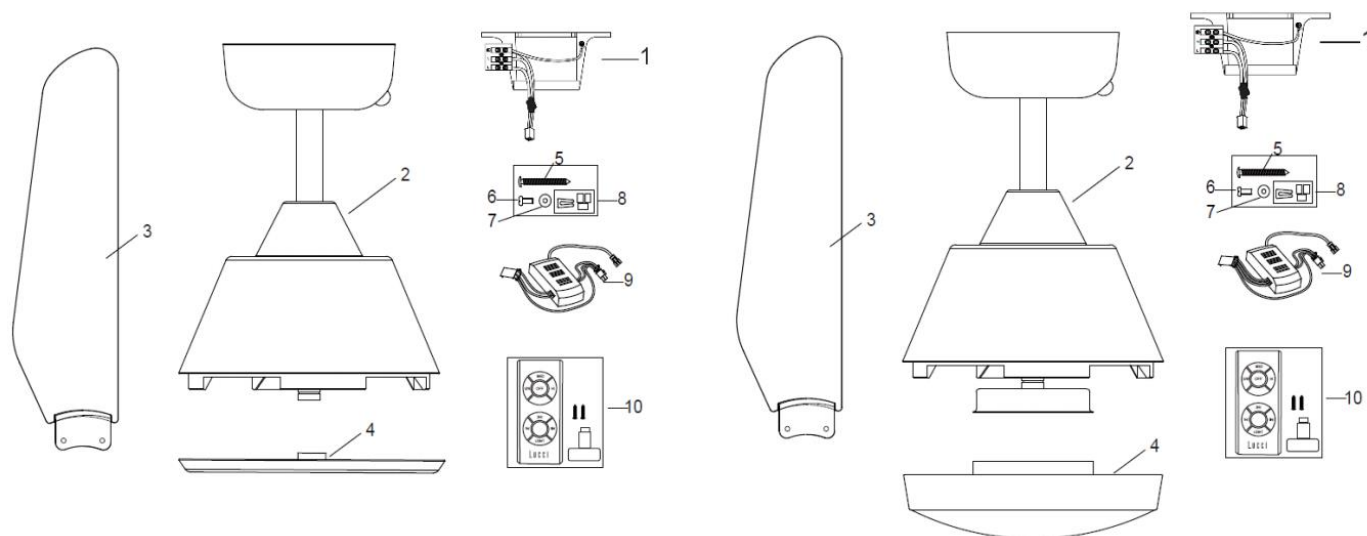


This fan is suitable for indoor, alfresco and coastal areas where the fan is fully undercover with a minimum of 1 walls. This fan is not waterproof. When installed in an alfresco or coastal area, the ceiling fan must be positioned in a location protected from water, wind and dust. Exposure to these elements will void the warranty. Mounting the fan in a situation where it is subject to water or moisture is dangerous.

12. The fixing means for attachment to the ceiling such as hooks or other devices shall be fixed with a sufficient strength to withstand 4 times the weight of the ceiling fan; that the mounting of the suspension system shall be performed by the manufacturer, its service agent or suitably qualified persons.

**BEFORE INSTALLATION**

Unpack your ceiling fan carefully. Remove all parts and hardware. Examine all parts, you should have the following:



**Fig. 1**

**Fan without light**

- 1 Mounting bracket x 1
- 2 Pre-assembled fan motor, down rod and canopy x 1
- 3 Blades x 4
- 4 Bottom cover x 1
- 5 Screw for mounting bracket x 2
- 6 Motor screws for blades x 9
- 7 Flat washer for blades x 9
- 8 Balancing kit x 1 set
- 9 Remote receiver x 1
- 10 Remote handset x 1 set

**Fan with light**

- 1 Mounting bracket x 1
- 2 Pre-assembled fan motor, down rod and canopy x 1
- 3 Blades x 4
- 4 LED light kit x 1
- 5 Screw for mounting bracket x 2
- 6 Motor screws for blades x 9
- 7 Flat washer for blades x 9
- 8 Balancing kit x 1 set
- 9 Remote receiver x 1
- 10 Remote handset x 1 set



This fan is suitable for indoor, alfresco and coastal areas where the fan is fully undercover with a minimum of 1 walls. This fan is not waterproof. When installed in an alfresco or coastal area, the ceiling fan must be positioned in a location protected from water, wind and dust. Exposure to these elements will void the warranty. Mounting the fan in a situation where it is subject to water or moisture is dangerous.

**INSTALLING THE MOUNTING BRACKET**

- The ceiling fan must be installed in a location so that the blades are spaced 300mm from the tip of the blade to the nearest objects or walls.
- Secure the hanging bracket to the ceiling joist or structure that is capable of carrying a load of at least 30kg, with two long screws provided. Ensure at least 30mm of the screw is threaded into the support.

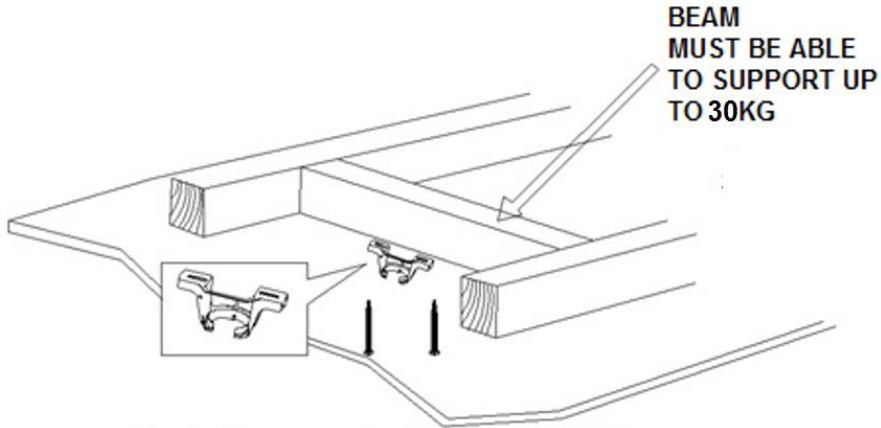


Fig. 2

**NOTE: THIS PICTURE IS FOR REPRESENTATION ONLY AND DOES NOT REPRESENT THE ACTUAL BRACKET.**

**NOTE: The bracket screws provided are for use with wooden structures only. For structures other than wood, the appropriate screw type MUST be used.**

**Angled ceiling Installation**

This fan hanging system supports a maximum 15 degree angled ceiling installation.

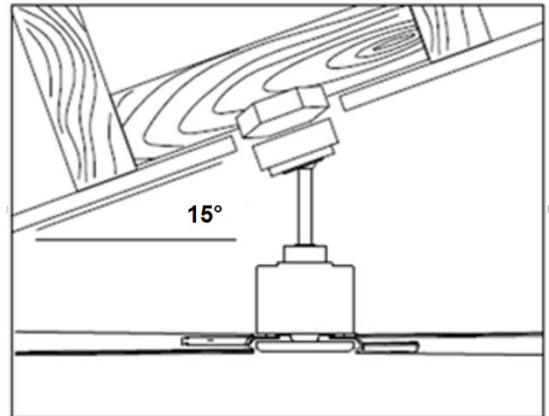


Fig. 3

This fan is suitable for indoor, alfresco and coastal areas where the fan is fully undercover with a minimum of 1 walls. This fan is not waterproof. When installed in an alfresco or coastal area, the ceiling fan must be positioned in a location protected from water, wind and dust. Exposure to these elements will void the warranty. Mounting the fan in a situation where it is subject to water or moisture is dangerous.

## HANGING THE FAN

Lift the fan assembly onto the mounting bracket. Ensure the registration slot (A) of the hanger ball is positioned on the stopper (B) of the mounting bracket (C) to prevent the fan from rotating when in operation. (Fig.4)

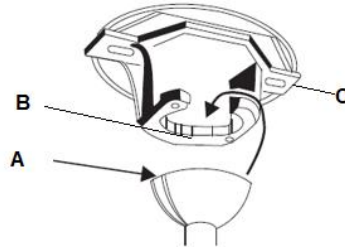


Fig. 4

## INSTALLING THE FAN

### Blade attachment

1. Before installing the blades, remove the motor screws and flat washers.
2. Secure the blade on the motor by using 2 screws with washers to tighten it, ensuring they are tightened simultaneously. (Take care not to over tighten as this can damage blades)

Once completed, repeat the process on the remaining blades.



Fig. 5

### Installing the bottom cover (For fan without light)

Secure the bottom cover to the fan by turning it clockwise.

### Installing the LED light kit (For fan with light)

Attach the LED light kit to the lamp base and connect wires to the LED light kit via the quick connectors. Secure the LED light kit on the lamp base by turning the LED light kit body clockwise.

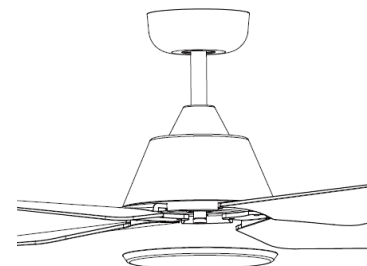


Fig. 6

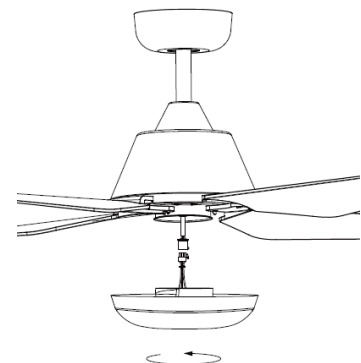


Fig. 7



**ELECTRICAL WIRING DIAGRAM**

**WARNING:** FOR YOUR SAFETY ALL ELECTRICAL CONNECTIONS MUST BE UNDERTAKEN BY A LICENSED ELECTRICIAN.

**NOTE:** AN ADDITIONAL ALL POLE DISCONNECTION SWITCH MUST BE INCLUDED IN THE FIXED WIRING.

- Connect "LIVE" supply wire to the "L" of terminal block on the mounting bracket.
- Connect "NEUTRAL" supply wire to the "N" of terminal block on the mounting bracket.
- Connect "EARTH" wire to the "⊕" of terminal block on the mounting bracket.
- Connect the output connector (1) from the receiver to the connector (1) from the fan body.
- Connect the connector (2) from the fan mounting bracket to the input connector (2) from the receiver.
- Connect the connector (3) from from the infrared detector to the input connector (3) from receiver.

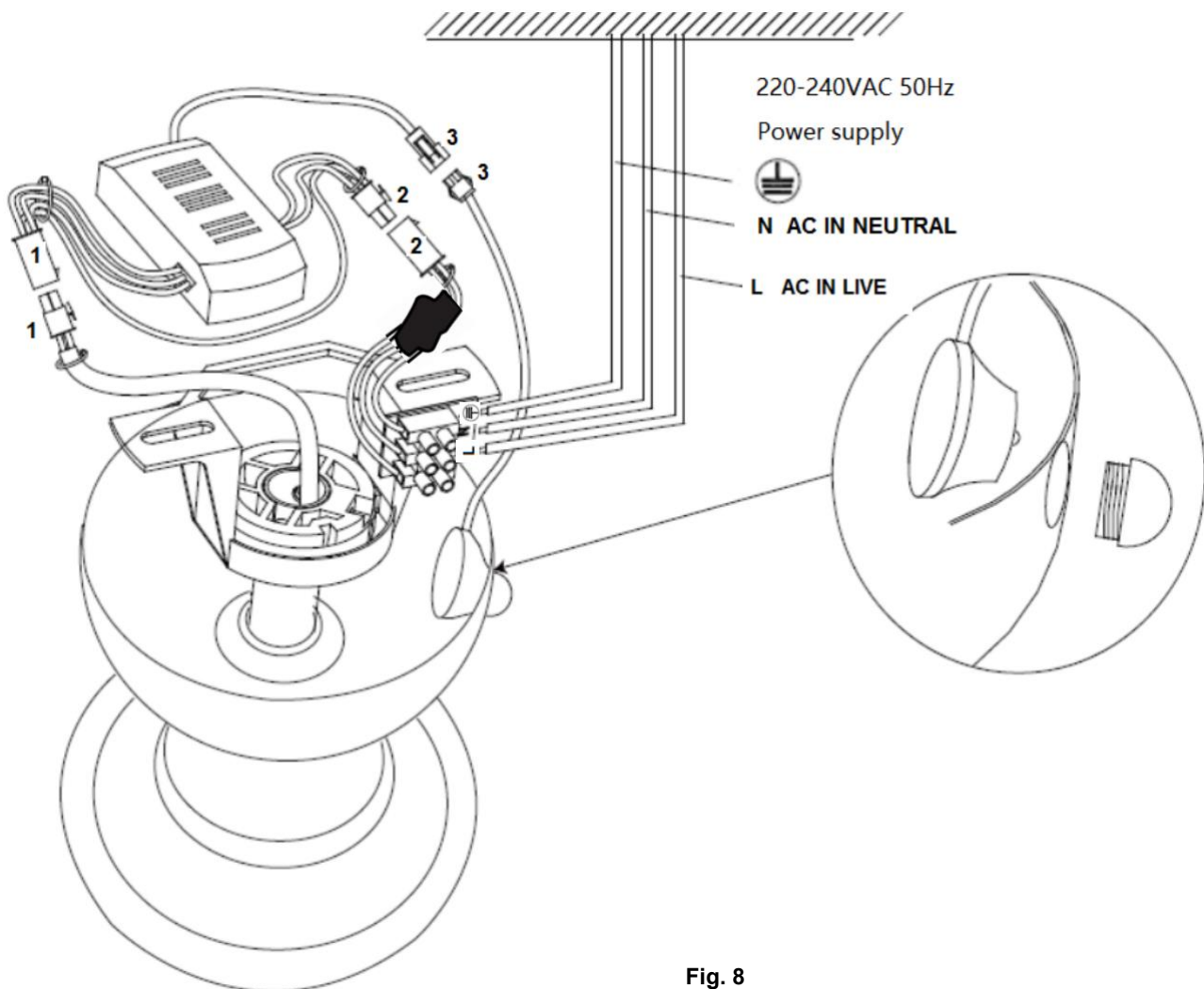


Fig. 8





## FINISHING THE INSTALLATION

- After completing the electrical connection at the mounting bracket terminal block, connect the ceiling fan wiring via the quick connector plug.
- Cover the mounting bracket with the canopy. Ensure all electrical wiring is tucked inside the canopy and that the wires are not damaged during this step. Secure the canopy to the hanger bracket using the screws provided.

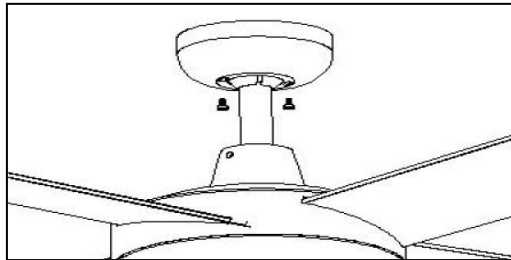


Fig. 9

## USING YOUR CEILING FAN

### REMOTE CONTROL

Your ceiling fan is controlled by the remote control. Before operating the remote, the following must be considered.

- 1 x CR2032 3V battery is required to operate the remote control. Pull out the battery tray (2) by pressing the click (1) of the battery tray. Place the battery (3) on the tray and insert the tray back to remote hand set (4) indicated by “+” polarity symbol (5). Ensure the polarity is correct as shown in the battery compartment.

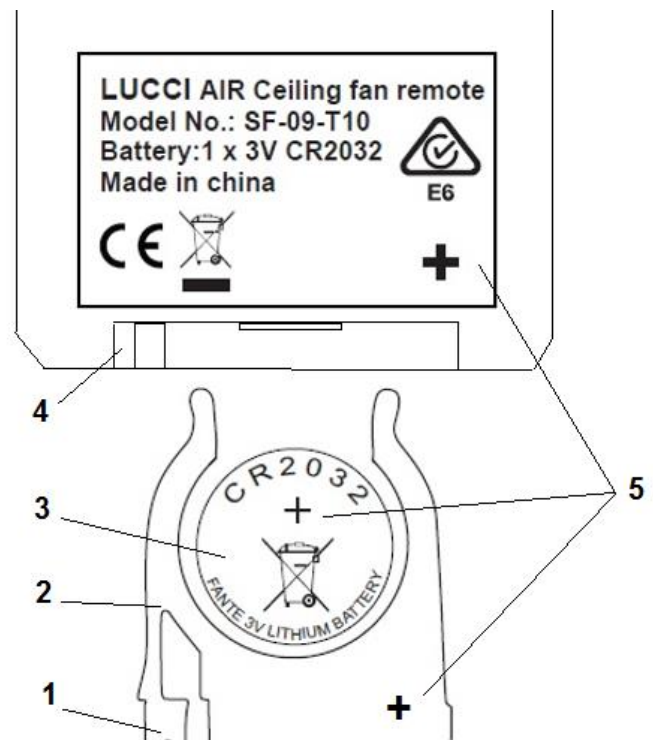


Fig. 10



**OPERATING THE REMOTE:**

Before you start using the remote, take the time to read through this section and get familiar with the buttons and function of each button. (Fig.11)

1. **IR TRANSMITTER**
2. **HI** button: Press the button to set fan running at High speed.
3. **MED** button: Press the button to set fan running at Medium speed.
4. **LOW** button: Press the button to set fan running at Low speed.
5. **OFF** button: Press the button to turn OFF the fan.
- 6 / 7 / 8. **1Hr / 3 Hr / 6Hr** fan timer button: Press the button to activate the fan timer function, the fan will turn off after running 1 hour / 3 hours / 6 hours.
9. **LIGHT** button: Press the button to turn ON/ OFF the light.

The LED light has a 3-step dimmable function which is controlled by an ON/OFF switch. When the LED light is ON and at 100% brightness, press the light button “ON and then OFF within 5 seconds”, to dim the LED light. Repeat pressing ON and then OFF within 5 seconds to dim further in the following sequence: 100% brightness → 60% brightness → 10% brightness → 100% brightness.

To switch back to 100% brightness at any stage, turn OFF the luminaire, and then wait after 5 seconds turn ON the luminaire, it will reset to 100% brightness.

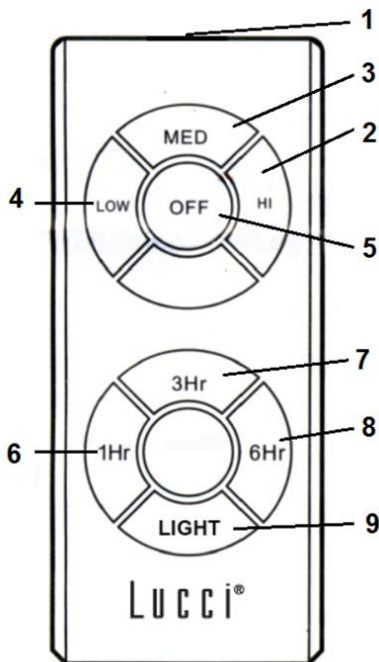


Fig. 11

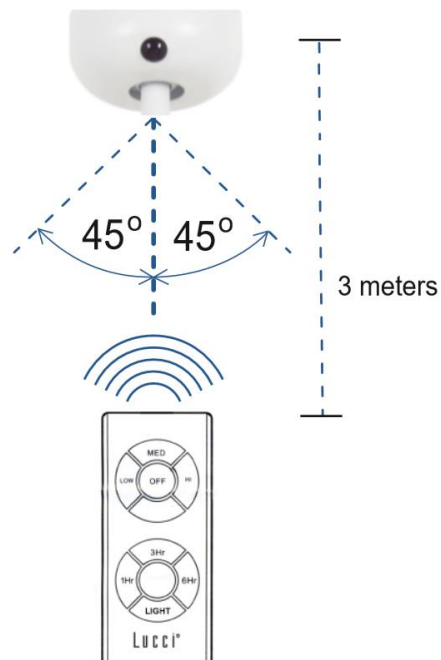


Fig. 12



This fan is suitable for indoor, alfresco and coastal areas where the fan is fully undercover with a minimum of 1 walls. This fan is not waterproof. When installed in an alfresco or coastal area, the ceiling fan must be positioned in a location protected from water, wind and dust. Exposure to these elements will void the warranty. Mounting the fan in a situation where it is subject to water or moisture is dangerous.

The remote has memory function. If the fan or light is turned off by the isolating switch, it will memorise and recover the last status when turned on next.

**Effective distance/location for IR remote control (Fig. 12)**

Left from center-line: Approximately 45 degrees

Right from center-line: Approximately 45 degrees

Distance from remote control to receiver: 5 meters max.

**REVERSING SWITCH**

Your ceiling fan can operate in either summer or winter mode.

**SUMMER Mode:** The reverse switch shall be in the “down” (SUMMER) position to make the fan rotate in an anticlockwise direction. The airflow will be directed downwards, for cooling in summer.

**WINTER Mode:** The reverse switch shall be in the “up” (WINTER) position to make the fan rotate in a clockwise direction. The airflow will be directed upwards assisting in the circulation of warm air, for energy conservation in winter.

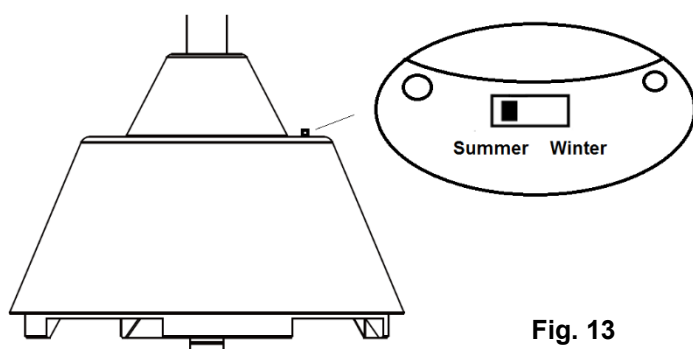
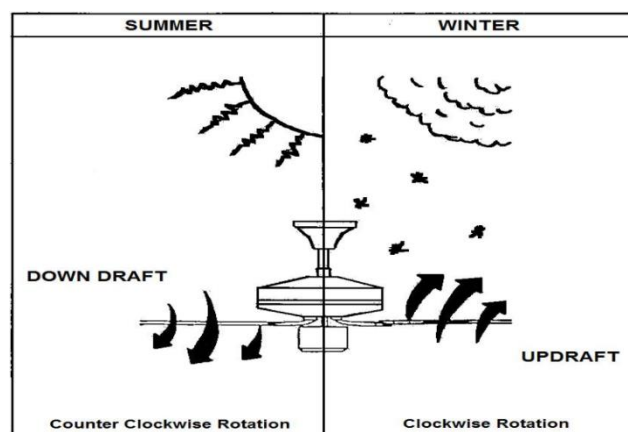


Fig. 13



This fan is suitable for indoor, alfresco and coastal areas where the fan is fully undercover with a minimum of 1 walls. This fan is not waterproof. When installed in an alfresco or coastal area, the ceiling fan must be positioned in a location protected from water, wind and dust. Exposure to these elements will void the warranty. Mounting the fan in a situation where it is subject to water or moisture is dangerous.

## AFTER INSTALLATION

### **WOBBLE:**

NOTE: ceiling fans tend to move during operation due to the fact that they are mounted on a rubber grommet. If the fan was mounted rigidly to the ceiling it would cause excessive vibration. Movement of a few centimetres is quite acceptable and DOES NOT suggest any problem.

**TO REDUCE THE FAN WOBBLE:** Please check that all screws which fix the mounting bracket and down rod are secure.

**BALANCING KIT:** A balancing kit is provided to balance the ceiling fan on initial installation. Please refer to the instruction on how to use the balancing kit. The balancing kit can be used to assist re-balancing should the ceiling fan become un-balanced again. Store your balancing kit away after installation for future use if required.

### **NOISE:**

When it is quiet (especially at night) you may hear occasional small noises. Slight power fluctuations and frequency signals superimposed in the electricity for off-peak hot water control, may cause a change in fan motor noise. This is normal. Please allow a 24-hour “settling-in” period, most noises associated with a new fan disappear during this time.

The manufacturer’s warranty covers actual faults that may develop and NOT minor complaints such as hearing the motor run – All electric motors are audible to some extent.

### **CARE AND CLEANING:**

- Periodic cleaning of your ceiling fan is the only maintenance required. Use a soft brush or lint free cloth to avoid scratching the paint finish. Please turn off electricity power when you do so.
- Do not use water when cleaning your ceiling fan. It could damage the motor or the blades and create the possibility of an electrical shock.
- The motor has a permanently lubricated ball bearing so there is no need to oil.

NOTE: Always turn OFF the power at the mains switch before attempting to clean your fan.



**TECHNICAL INFORMATION**

Fan Models	48" fan with light	48" fan only	52" fan with light	52" fan only
Rated Voltage	220-240V~ 50Hz			
Rated Wattage (Motor)	50W			
Rated wattage (Lamp)	LED,18W, 3000K, 3 step-dim	N/A	LED,18W, 3000K, 3 step-dim	N/A
Lighting source	This product contains a light source of energy efficiency class <E>	N/A	This product contains a light source of energy efficiency class <E>	N/A
Weight	5.5kg	4.9kg	5.6kg	5.0kg
Canopy Dimensions	H:50mm Dia:136			

**WARRANTY INFORMATION**

**IN AUSTRALIA / NEW ZEALAND** – Please refer to the separated WARRANTY STATEMENT.

**IN EUROPE** – If you are a European customer please contact the retail outlet where the fan was purchased for warranty service.



This fan is suitable for indoor, alfresco and coastal areas where the fan is fully undercover with a minimum of 1 walls. This fan is not waterproof. When installed in an alfresco or coastal area, the ceiling fan must be positioned in a location protected from water, wind and dust. Exposure to these elements will void the warranty. Mounting the fan in a situation where it is subject to water or moisture is dangerous.

# D

## WIR GRATULIEREN ZUM KAUF DIESES PRODUKTES


Wir gratulieren zum Kauf dieses Qualitätsproduktes von Lucci. Bitte lesen Sie die Sicherheitshinweise vollständig und sorgfältig durch, um den ordnungsgemäßen und sicheren Einsatz des Gerätes zu gewährleisten.

## SICHERHEITSMASSREGELN

Die nachfolgenden Informationen auf dieser Seite dienen dazu einen störungsfreien und vor allem sicheren Betrieb Ihres neuen Deckenventilators sicher zu stellen.

1. Europa: Dieses Gerät darf von Kindern im Alter von 8 Jahren und älter und von Personen mit verminderten körperlichen, sensorischen oder geistigen Fähigkeiten, oder Personen, die keine Erfahrung mit dem Einsatz des Gerätes haben, betrieben werden, vorausgesetzt diese werden dabei überwacht, oder diese wurden ordnungsgemäß über den sicheren Einsatz des Gerätes unterrichtet und verstehen die Gefahren, die mit dem Betrieb des Gerätes verbunden sind. Reinigungs- und Wartungsarbeiten dürfen nicht von Kindern ohne die Aufsicht eines Erwachsenen ausgeführt werden.
2. Kinder müssen in der Umgebung dieses Geräts stets beaufsichtigt werden, um sicherzustellen dass diese nicht mit dem Gerät spielen.
3. Ein allpoliger Trennschalter muss in der Kabelfestinstallation gemäß den örtlich geltenden Vorschriften für elektrische Installationen integriert werden.



4.  Entsorgen Sie elektrische Geräte niemals im regulären Hausmüll, sondern geben Sie das Gerät stets ordnungsgemäß bei einer Sammelstelle für elektronische Altgeräte ab. Bitte treten Sie mit Ihrer örtlichen Verwaltung in Kontakt für ausführliche Informationen bezüglich der Adressen der örtlichen Sammelstellen. Wenn elektronische Geräte in Mülldeponien oder Landaufschüttungen entsorgt werden, können gefährliche Substanzen in das Grundwasser und somit in den Lebensmittelkreislauf geraten und die Gesundheit gefährden, oder gar Gesundheitsschäden verursachen.
5. Die tragende Struktur an der der Ventilator befestigt wird, muss mindestens ein Gewicht von 30kg tragen können.
6. In Europa sollte der Ventilator so an der Decke befestigt werden, dass sich die Ventilatorflügel mindestens 2,3m über dem Boden befinden, und in Australien sollten sich die Ventilatorflügel mindestens ca. 2,1m über dem Boden befinden.
7. Dieser Ventilator ist nur für den Einsatz in geschlossenen Räumen geschaffen. Durch die Installation an Orten wo der Ventilator Wasser oder Feuchtigkeit ausgesetzt würde, setzen Sie sich möglichen Personenverletzungen oder anderen Gefahren aus, und die Garantie für das Gerät erlischt.
8. Die Installation des Gerätes sollte nur von einem qualifizierten und zugelassenen Elektriker ausgeführt werden.
9. **WARNUNG:** Bei ungewöhnlichen Unwucht- oder oszillierenden Bewegungen ist der



Deckenventilator sofort außer Betrieb zu nehmen und der Hersteller, sein Servicepartner oder entsprechend qualifizierte Personen zu kontaktieren.

10. Der Austausch von Teilen der Sicherheitsaufhängung ist vom Hersteller, seinem Servicepartner oder entsprechend qualifizierten Personen durchzuführen.
11. Die Befestigungsmittel zur Befestigung an der Decke, wie z. B. Haken oder andere Vorrichtungen, sind mit einer ausreichenden Festigkeit zu befestigen, um dem 4-fachen Gewicht des Deckenventilators standzuhalten; die Montage des Aufhängungssystems muss vom Hersteller, seinem Servicepartner oder entsprechend qualifizierten Personen durchgeführt werden.



This fan is suitable for indoor, alfresco and coastal areas where the fan is fully undercover with a minimum of 1 walls. This fan is not waterproof. When installed in an alfresco or coastal area, the ceiling fan must be positioned in a location protected from water, wind and dust. Exposure to these elements will void the warranty. Mounting the fan in a situation where it is subject to water or moisture is dangerous.

## VOR DER INSTALLATION ZU BEACHTEN

Packen Sie Ihren Deckenventilator vorsichtig aus. Entfernen Sie alle Teile und Beschläge. Überprüfen Sie alle Teile. Sie sollten Folgendes haben:

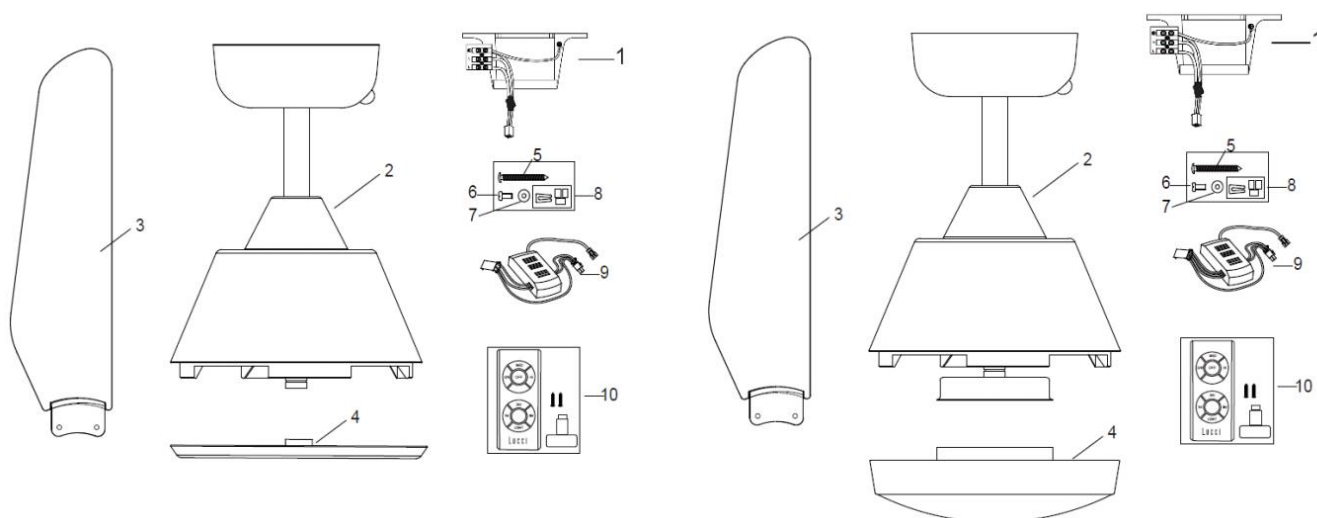


Fig. 1

### Ventilator ohne Lampe

- 1 Montagewinkel x 1
- 2 Vormontierter Ventilatormotor, Verbindungsstange und Baldachin x 1
- 3 Ventilatorflügel x 4
- 4 Untere Abdeckung x 1
- 5 Schraube für Montagewinkel x 2
- 6 Motorschrauben für Ventilatorflügel x 9
- 7 Unterlegscheibe für Ventilatorflügel x 9
- 8 Auswuchtkit x 1 Satz
- 9 Fernbedienungsempfänger x 1
- 10 Fernbedienung x 1 Satz

### Ventilator mit Lampe

- 1 Montagewinkel x 1
- 2 Vormontierter Ventilatormotor, Verbindungsstange und Baldachin x 1
- 3 Ventilatorflügel x 4
- 4 Untere Abdeckung x 1
- 5 Schraube für Montagewinkel x 2
- 6 Motorschrauben für Ventilatorflügel x 9
- 7 Unterlegscheibe für Ventilatorflügel x 9
- 8 Auswuchtkit x 1 Satz
- 9 Fernbedienungsempfänger x 1
- 10 Fernbedienung x 1 Satz

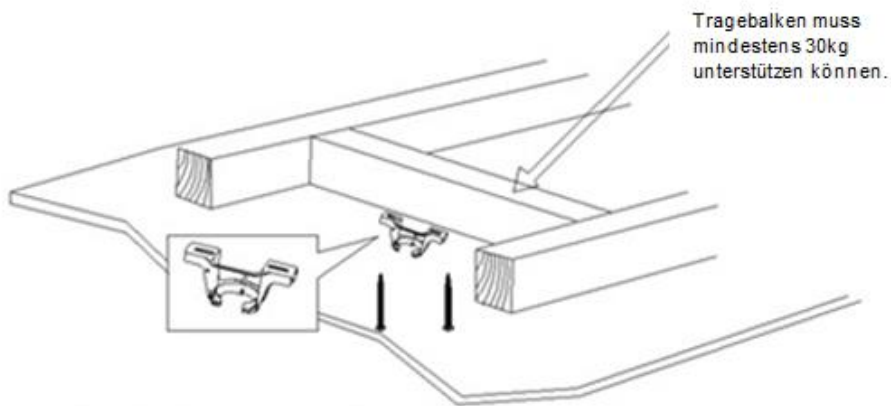


This fan is suitable for indoor, alfresco and coastal areas where the fan is fully undercover with a minimum of 1 walls. This fan is not waterproof. When installed in an alfresco or coastal area, the ceiling fan must be positioned in a location protected from water, wind and dust. Exposure to these elements will void the warranty. Mounting the fan in a situation where it is subject to water or moisture is dangerous.



### INSTALLATION DER DECKENHALTERUNG

- Der Deckenventilator muss an einem Ort installiert werden, wo die Flügelspitzen mindestens einen Abstand von 30cm zum nächsten Gegenstand oder der Wand haben
- Befestigen Sie die Halterung an einem sicheren Deckenträger oder einer strukturell äquivalenten Stelle, die ein Gewicht von mindestens 30KG tragen kann, und verwenden Sie dazu die zwei mitgelieferten Schrauben. Stellen Sie sicher, dass die Schraubengewinde mindestens 30mm in den Untergrund eingedreht werden.



HINWEIS: DIE ABBILDUNG DIENT NUR ZUR ILLUSTRATION UND STELLT KEINE TATSÄCHLICHE DECKENHALTERUNG DAR

Abb. 2

**HINWEIS:** Die für die Halterung mitgelieferten Schrauben sind nur für den Einsatz mit Holzstrukturen geeignet. Für andere Materialien MÜSSEN entsprechend geeignete Schraubentypen verwendet werden.

### Installation an geneigten Decken

Dieses Ventilatorhalterungssystem ist nur für die Installation an Decken mit einer Neigung von maximal 15 Grad geeignet.

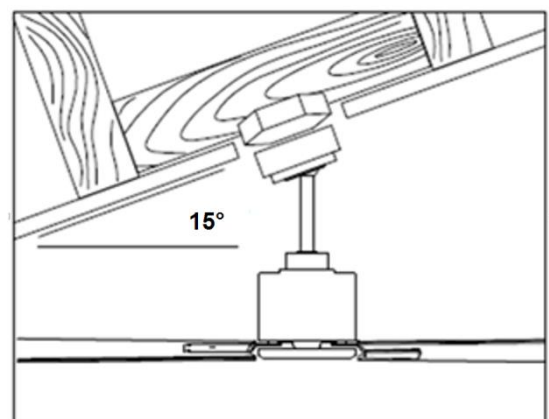


Abb. 3



## AUFHÄNGUNG DES VENTILATORS

Setzen Sie die Ventilatoreinheit auf die Halterung auf. Stellen Sie sicher, dass die Führungsschlitze des Kugelgelenks auf die Anschlagstifte der Halterung ausgerichtet sind, wodurch ein Verdrehen des Ventilators während des Betriebs verhindert wird. (Abb.4)

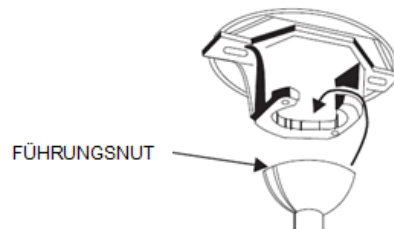


Abb. 4

## INSTALLATION DER VENTILATORFLÜGEL

### Befestigung der Ventilatorflügel

1. Entfernen Sie vor der Montage der Ventilatorflügel die Motorschrauben und Unterlegscheiben.
2. Befestigen Sie den Ventilatorflügel mit 2 Schrauben und Unterlegscheiben am Motor, um ihn festzuziehen. Achten Sie darauf, sie gleichzeitig anzuziehen. (Achten Sie darauf, dass Sie sie nicht zu fest anziehen, da dies die Ventilatorflügel beschädigen kann.)

Wenn Sie fertig sind, wiederholen Sie den Vorgang an den übrigen Ventilatorflügeln.



Abb. 5

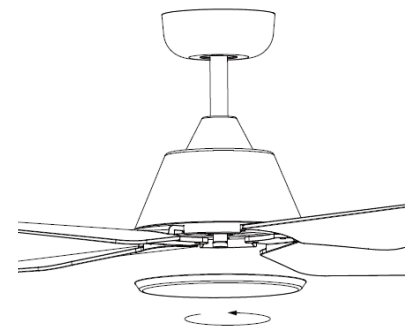


Abb. 6

### Montage der unteren Abdeckung (für Ventilator ohne Beleuchtung)

Befestigen Sie die untere Abdeckung des Ventilators, indem Sie sie im Uhrzeigersinn drehen.

### Installation des LED-Beleuchtungskits (für Ventilator mit Lampe)

Befestigen Sie das LED-Beleuchtungskit am Lampensockel und verbinden Sie die Kabel mit dem LED-Beleuchtungskit über die Schnellanschlüsse. Befestigen Sie das LED-Beleuchtungskit am Lampensockel, indem Sie das Gehäuse des LED-Beleuchtungskits im Uhrzeigersinn drehen.

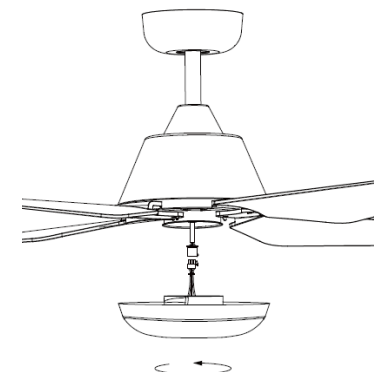


Abb. 7

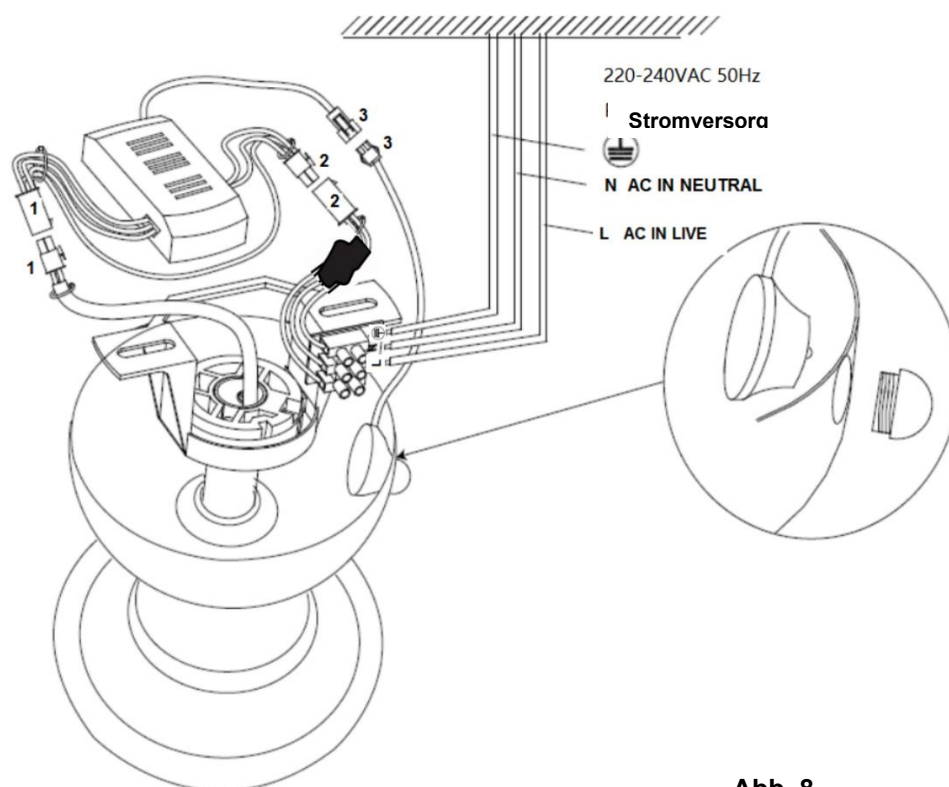


**ELEKTRISCHES SCHALTDIAGRAMM**

**WARNHINWEIS:** IM INTERESSE IHRER PERSÖNLICHEN SICHERHEIT MÜSSEN ALLE ELEKTRISCHEN ANSCHLÜSSE VON EINEM ZUGELASSENEN ELEKTRIKER AUSGEFÜHRT WERDEN.

**HINWEIS:** EIN ZUSÄTZLICHER, ALLPOLIGER TRENNSCHATER MUSS IN DER INSTALLATION DER WANDVERKABELUNG ENTHALTEN SEIN.

- Das "LIVE"-Stromversorgungskabel an "L" der Klemmenleiste am Montagewinkel anschließen.
- Das "NEUTRAL"-Versorgungskabel an "N" der Klemmenleiste am Montagewinkel anschließen.
- Das "EARTH"-Erdungskabel an "⊕" der Klemmenleiste am Montagewinkel anschließen.
- Die Ausgangsbuchse (1) vom Empfangsgerät mit dem Anschluss (1) vom Ventilatorkörper verbinden.
- Den Anschluss (2) vom Ventilator Montagewinkel mit der Eingangsbuchse (2) vom Empfangsgerät verbinden.
- Den Anschluss (3) vom Infrarotdetektor mit der Eingangsbuchse (3) vom Empfangsgerät verbinden.



**Abb. 8**

Power Supply	Stromversorgung
L AC IN LIVE	L AC IN LIVE
N AC IN NEUTRAL	N AC IN NEUTRAL



This fan is suitable for indoor, alfresco and coastal areas where the fan is fully undercover with a minimum of 1 walls. This fan is not waterproof. When installed in an alfresco or coastal area, the ceiling fan must be positioned in a location protected from water, wind and dust. Exposure to these elements will void the warranty. Mounting the fan in a situation where it is subject to water or moisture is dangerous.

### ABSCHLUSS DER INSTALLATION

- Nach Abschluss der elektrischen Anschlüsse am Kabelblock der Halterung schließen Sie die Verkabelung des den Deckenventilator über den Verbindungsstecker an der Netzstromversorgung an.
- Decken Sie die Halterung mit der Abdeckung ab. Die Verkabelung befindet sich nun unter der Abdeckung und Sie sollten darauf achten, dass diese in diesem Schritt nicht beschädigt wird. Sichern Sie die Abdeckung an der Halterung der Deckenstange mittels der mitgelieferten Schrauben. Abb. 9.

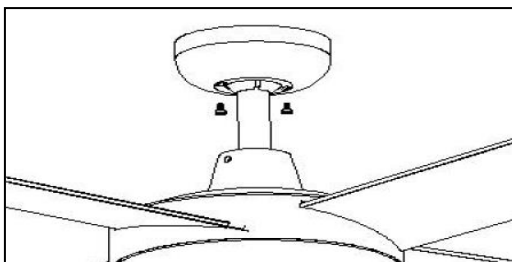


Abb. 9

### DER BETRIEB DES DECKENVENTILATORS

#### FERNBEDIENUNG

Ihr Deckenventilator wird mit dem Fernbedienungsgerät gesteuert. Vor der Benutzung des Fernbedienungsgeräts beachten Sie Folgendes.

- Für die Benutzung des Fernbedienungsgeräts wird 1 x CR2032 3V-Batterie benötigt. Den Batteriehalter (2) durch Drücken auf den Klick (1) des Batteriehalters (2) herausziehen. Die Batterie (3) auf den Halter legen und diesen unter Beachtung des Polaritätssymbols (5) "+" zurück in das Fernbedienungsgerät (4) einschieben. Achten Sie auf die richtige Polarität wie im Batteriefach angezeigt.

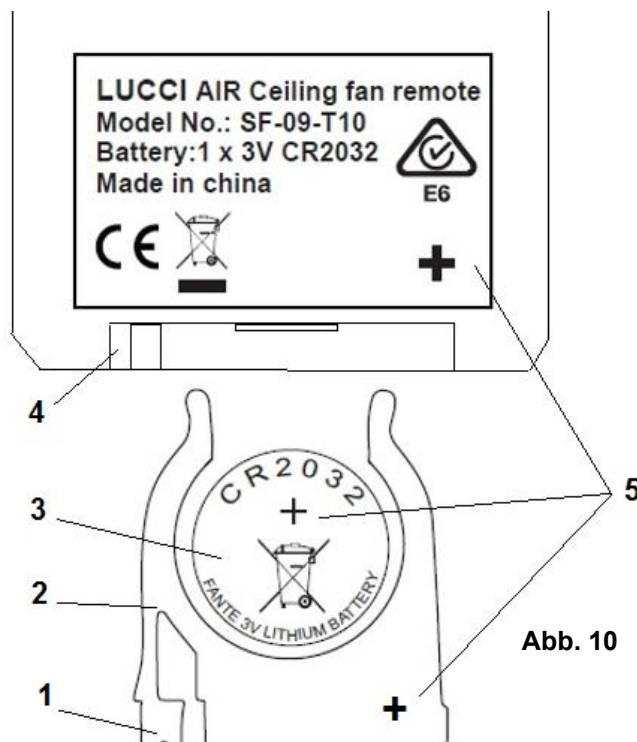


Abb. 10



### **BENUTZUNG DER FERNBEDIENUNG:**

Vor der Benutzung des Fernbedienungsgeräts nehmen Sie sich bitte Zeit, diesen Abschnitt durchzulesen und mit den Tasten und deren Funktionen vertraut zu werden (Abb. 11).

#### 1. **IR SENDER**

2. **HI** Taste: Auf die Taste drücken, um den Ventilator mit hoher Geschwindigkeit laufen zu lassen.
3. **MED** Taste: Auf die Taste drücken, um den Ventilator mit mittlerer Geschwindigkeit laufen zu lassen.
4. **LOW** Taste: Auf die Taste drücken, um den Ventilator mit niedriger Geschwindigkeit laufen zu lassen.
5. **OFF** Auf die Taste drücken, um den Ventilator abzuschalten (OFF).

6 / 7 / 8. **1Hr / 3 Hr / 6Hr**-Ventilator-Timer-Taste: Auf die Taste drücken, um die Zeitfunktion des Ventilators zu aktivieren. Der Ventilator wird nach einem Betrieb während 1 Stunde / 3 Stunden / 6 Stunden abgeschaltet.

12. **LIGHT** Taste: Auf die Taste drücken, um die Lampe ein-/abzuschalten (ON/OFF).

Die LED-Leuchte besitzt eine 3-stufige Dimmfunktion, die durch den EIN/AUS-Schalter gesteuert wird. Um das LED-Licht bei einer Helligkeitsstufe von 100 % zu dimmen, drücken Sie erst den „EIN“-Schalter und innerhalb von 5 Sekunden den „AUS“-Schalter. Wiederholtes Drücken von EIN und AUS innerhalb von 5 Sekunden dimmt in dieser Folge: 100 % Helligkeit → 60 % Helligkeit → 10 % Helligkeit → 100 % Helligkeit

Um von einer beliebigen Helligkeitsstufe auf 100 % zu schalten, schalten Sie die Leuchte aus, warten 5 Sekunden und schalten sie wieder ein. Die Leuchte wird auf 100 % Helligkeit zurückgesetzt.

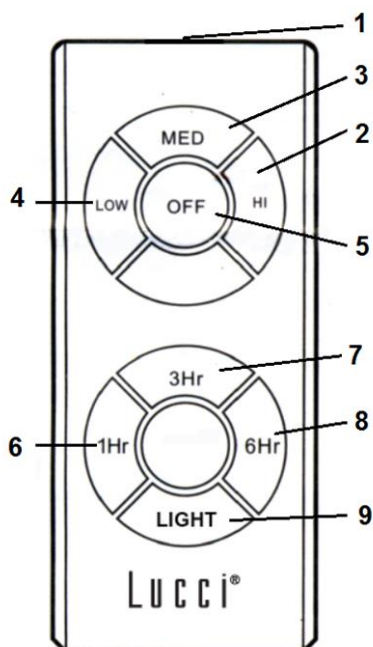


Abb. 11

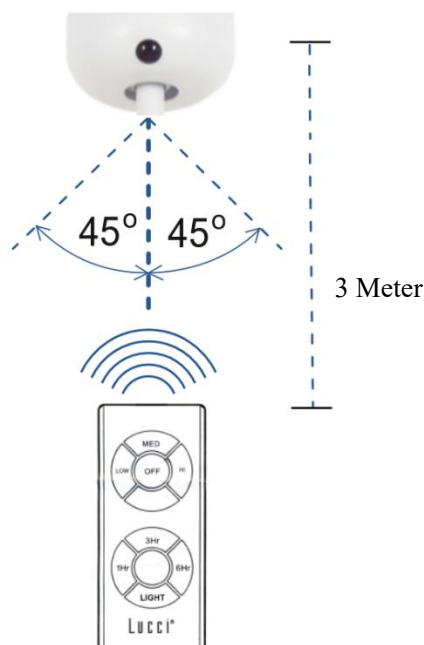


Abb. 12

Das Fernbedienungsgerät verfügt über eine Speicherfunktion. Wird der Ventilator oder die Lampe mit



dem Trennschalter abgeschaltet, wird der letzte Status gespeichert und beim nächsten Einschalten wiederhergestellt.

**Effektiver Abstand/Standort für das IR-Fernbedienungsgerät (Abb. 12)**

Links von der Mittellinie: Ungefähr 45 Grad

Rechts von der Mittellinie: Ungefähr 45 Grad

Abstand zwischen dem Fernbedienungsgerät und dem Empfangsgerät: max. 5 Meter

**RÜCKLAUFFUNKTION**

Der Ventilator kann sowohl im Vorlauf als auch im Rücklauf betrieben werden.

**SOMMERBETRIEB:** Wenn der Schalter für die Rücklauffunktion auf “down” (SOMMER) steht, dreht der Ventilator sich gegen den Uhrzeigersinn. Die Luftbewegung wird nach unten gelenkt und bringt im Sommer den gewünschten Abkühlungseffekt.

**WINTERBETRIEB:** Wenn der Schalter für die Rücklauffunktion auf “up” (WINTER) steht, dreht sich der Ventilator im Uhrzeigersinn. Die Luftbewegung wird nach oben gelenkt, um im Winter Energie zu sparen.

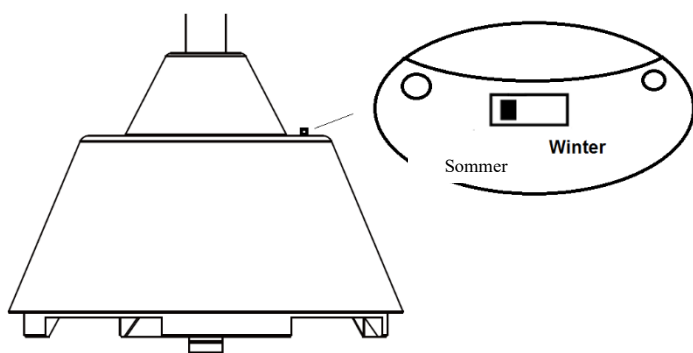
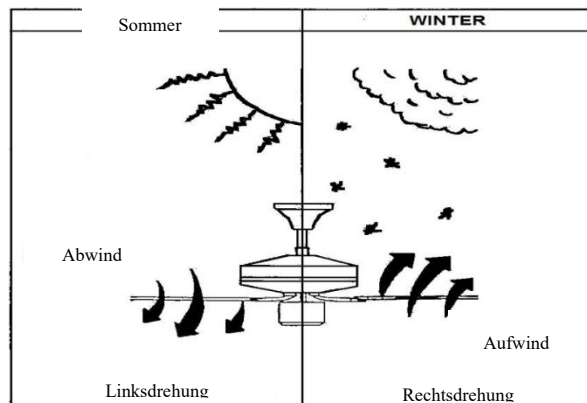


Abb. 13



Reverse Switch	Umkehrschalter
Winter	Winter
Summer	Sommer
Down Draft	Abwind
Updraft	Aufwind
Counter clockwise Rotation	Linksdrehung
Clockwise Rotation	Rechtsdrehung



This fan is suitable for indoor, alfresco and coastal areas where the fan is fully undercover with a minimum of 1 walls. This fan is not waterproof. When installed in an alfresco or coastal area, the ceiling fan must be positioned in a location protected from water, wind and dust. Exposure to these elements will void the warranty. Mounting the fan in a situation where it is subject to water or moisture is dangerous.

## NACH DER INSTALLATION

### **SCHLINGERN:**

HINWEIS: DECKENVENTILATOREN HABEN EINE NEIGUNG ZUM SCHLINGERN, DA SIE ÜBER DIE AUFHÄNGUNG AN DER DECKE AUF EINER GUMMIVERBINDUNG GELAGERT SIND: WENN DER VENTILATOR FEST AN DER DECKE ANGEBRACHT WÄRE, DANN WÜRDEN DIE ROTATION ÜBERMÄSSIGE VIBRATIONEN VERURSACHEN. ES IST NORMAL, DASS SICH DER VENTILATOR EINIGE ZENTIMETER AUS DER MITTE BEWEGT, UND DIES STELLT UNTER NORMALEN BETRIEBSBEDINGUNGEN KEINE STÖRUNG DAR.

**REDUZIEREN DES SCHLINGERN:** BITTE ÜBERPRÜFEN SIE, DASS ALLE SCHRAUBEN DER DECKENHALTERUNG UND DIE VERBINDUNGSSCHRAUBEN DER HÄNGESTANGE FEST ANGEZOGEN SIND.

HINWEIS: Dieser Ventilator wurde im Werk feinjustiert, und muss nicht wieder ausgewuchtet werden.

### **BETRIEBSGERÄUSCHE:**

In einer sehr stillen Betriebsumgebung (besonders während der Nachtstunden) kann es vorkommen, dass Sie gelegentlich leise Geräusche hören. Geringfügige Schwankungen in der Stromversorgung und Frequenzsignale von anderen Geräten, z.B. Warmwassersteuerungen können dazu führen, dass gelegentlich Motorgeräusche hörbar sind. Dies ist jedoch normal. Bitte beachten Sie, dass Sie den Ventilator ca. 24 Stunden „einlaufen“ lassen müssen, und anschließend sollten Geräusche, die entstehen weil der Ventilator neu ist, nicht mehr hörbar sein. Die Garantie des Herstellers erstreckt sich nur auf tatsächliche Schäden oder Herstellungsfehler die während des nachfolgenden Betriebs auftreten, und NICHT auf geringfügige Beschwerden, wie z.B. dass Motorlaufgeräusche hörbar sind. – Alle Elektromotoren sind zu einem gewissen Grad während des Betriebs hörbar.

### **WARTUNG UND PFLEGE:**

- Die regelmäßige Reinigung des Ventilators ist die einzige Wartungsmaßnahme, die Ihr Ventilator benötigt. Verwenden Sie eine weiche Bürste oder ein flusenfreies Tuch, um Kratzer auf den Oberflächen des Gerätes zu vermeiden. Bitte schalten Sie stets die Stromversorgung zum Gerät vollständig ab, bevor Sie mit der Reinigung beginnen.
- Verwenden Sie zur Reinigung des Ventilators kein Wasser. Dadurch könnten der Motor oder die Ventilatorflügel beschädigt werden, und Sie setzen sich zudem der Gefahr lebensbedrohlicher Stromschläge aus.
- Der Motor ist mit einem Kugellager mit Permanentschmierung ausgerüstet. Sie müssen das Lager nicht schmieren.

HINWEIS: Schalten Sie die Stromversorgung zum Ventilator stets vollständig ab, bevor Sie mit der Reinigung des Ventilators beginnen.



### TECHNISCHE DATEN

Ventilatormodelle	48-Zoll-Lüfter mit Beleuchtung	Nur 48-Zoll-Lüfter	52-Zoll-Lüfter mit Beleuchtung	Nur 52-Zoll-Lüfter
Nennspannung	220-240 V~ 50 Hz			
Nennleistung (Motor)	50 W			
Nennleistung (Lampe)	LED, 18 W, 3000 K, 3-stufige Dimmung	K.A.	LED, 18 W, 3000 K, 3-stufige Dimmung	K.A.
Lichtquelle	Dieses Produkt enthält eine Lichtquelle der Energieeffizienzklasse < E >	K.A.	Dieses Produkt enthält eine Lichtquelle der Energieeffizienzklasse < E >	K.A.
Gewicht	5,5 kg	4,9 kg	5,6 kg	5.0 kg
Maße des Baldachins	H: 50 mm    Durchmessers: 136			

### GARANTIE-HINWEISE

**KUNDEN IN AUSTRALIEN / NEU SEELAND** – Bitte beachten Sie die separate GARANTIEERKLÄRUNG.

**KUNDEN IN EUROPA** – Falls Sie ein Kunde in Europa sind, dann treten Sie für Garantieleistungen bitte mit dem Fachgeschäft in Kontakt, wo Sie das Gerät gekauft haben.



This fan is suitable for indoor, alfresco and coastal areas where the fan is fully undercover with a minimum of 1 walls. This fan is not waterproof. When installed in an alfresco or coastal area, the ceiling fan must be positioned in a location protected from water, wind and dust. Exposure to these elements will void the warranty. Mounting the fan in a situation where it is subject to water or moisture is dangerous.



**F****MERCI POUR VOTRE ACHAT**


Félicitations! Vous venez d'acquérir votre ventilateur de plafond à onde lumineuse à faible consommation électrique de Minka Aire. Pour un fonctionnement approprié et sûr, lire attentivement et intégrer toutes les consignes avant l'utilisation du produit.

**CONSIGNE DE SÉCURITÉ**

L'information contenue dans les pages suivantes a été préparée afin de vous sécuriser un fonctionnement de ventilateur au plafond sans trouble.

1. Europe: Cet appareil peut être utilisé par les enfants de 8 ans et plus et les personnes ayant des capacités physiques, sensorielles et mentales réduites ou qui manquent d'expérience et de connaissance, à conditions qu'elles aient reçu et intégré des instructions claires concernant l'utilisation de l'appareil de manière sûre, en s'assurant qu'elles comprennent les risques liés à cette utilisation. L'entretien et le nettoyage par des enfants doivent se faire uniquement sous la supervision d'un adulte.
2. Les enfants doivent être surveillés pour qu'ils évitent de jouer avec les appareils.
3. Il faut incorporer une déconnexion tout pôle au fils fixé en suivant les règles de câblage régulière.



4.  Ne disposez pas les appareils électriques comme des déchets municipaux non triés, utiliser les facilités de ramassage séparé. Contacter votre gouvernement local pour l'information sur le disponible système de collection. Si les appareils électriques sont disposés à la décharge ou tas d'ordure, les substances dangereux peuvent fuir à l'eau même à la chaîne d'alimentaire en abiment votre santé et bien-être
5. La structure où le ventilateur sera monté doit être capable de supporter le poids de 30kg.
6. Le ventilateur doit être monté pour que les lames soient, dans l'Europe, au moins 2,3 mètres dessus de sol ou 2,1 mètres dessus de sol en Australie.
7. Le ventilateur est dessiné juste pour l'usage intérieur. Monter le ventilateur dans la situation où il sera exposé dans l'eau ou l'humidité est dangereux invalidera la garantie.
8. Juste un électricien autorisé peut faire l'installation.
9. **AVERTISSEMENT** : Si vous observez des tremblements ou des oscillations inhabituels, arrêtez immédiatement d'utiliser le ventilateur de plafond et contactez le fabricant, son agent de maintenance ou une personne dûment qualifiée.
10. Le remplacement des pièces du dispositif de suspension de sécurité doit être effectué par le fabricant, son agent d'entretien ou des personnes dûment qualifiées.



11. Les moyens de fixation du ventilateur au plafond, tels que les crochets ou autres dispositifs, doivent être fixés avec une résistance suffisante pour supporter 4 fois le poids du ventilateur de plafond ; le montage du système de suspension doit être effectué par le fabricant, son agent d'entretien ou des personnes dûment qualifiées.



This fan is suitable for indoor, alfresco and coastal areas where the fan is fully undercover with a minimum of 1 walls. This fan is not waterproof. When installed in an alfresco or coastal area, the ceiling fan must be positioned in a location protected from water, wind and dust. Exposure to these elements will void the warranty. Mounting the fan in a situation where it is subject to water or moisture is dangerous.

**AVANT L'INSTALLATION**

Déballez délicatement votre ventilateur de plafond. Sortez toutes les pièces et composants. Inspectez toutes les pièces, il doit y avoir les pièces suivantes :

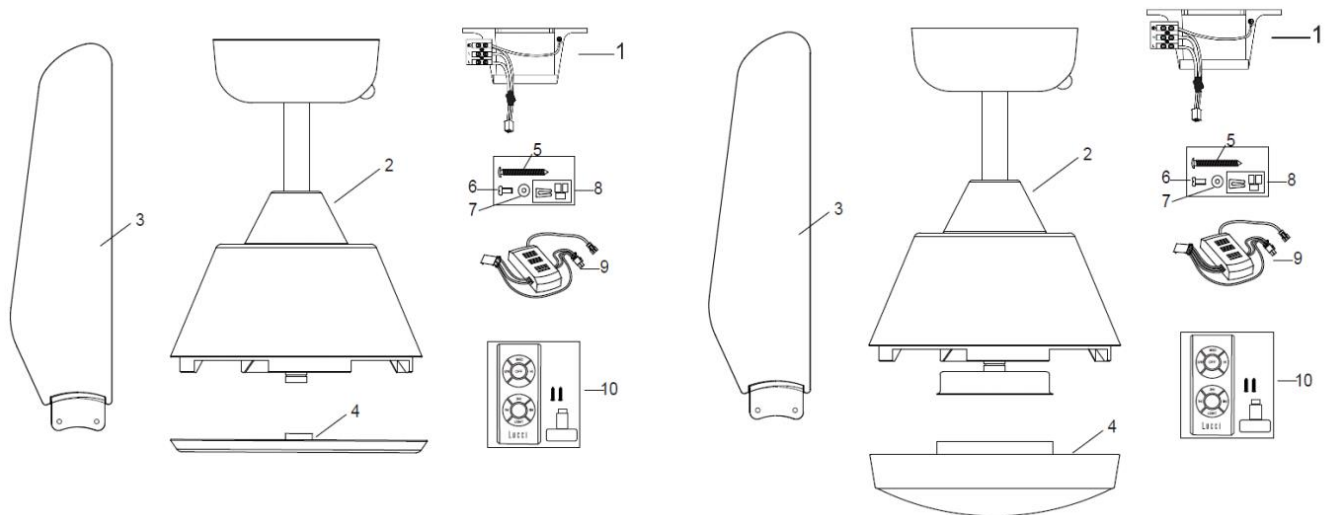


Fig. 1

**Ventilateur sans lampe**

- 1 Support de montage x 1
- 2 Base, tige et moteur de ventilateur pré-assemblés x 1
- 3 Pales x 4
- 4 Couvercle inférieur x 1
- 5 Vis pour support de montage x 2
- 6 Vis moteur pour pale x 9
- 7 Rondelle plate pour pale x 9
- 8 Kit d'équilibrage x 1
- 9 Récepteur des signaux de la télécommande x 1
- 10 Télécommande x 1

**Ventilateur avec lampe**

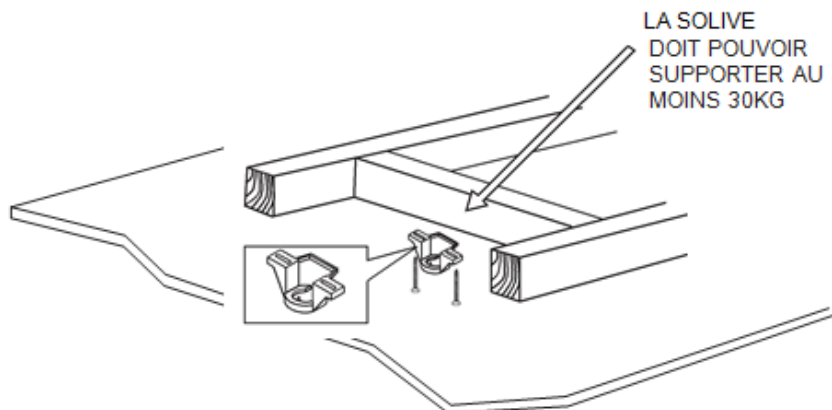
- 1 Support de montage x 1
- 2 Base, tige et moteur de ventilateur pré-assemblés x 1
- 3 Pales x 4
- 4 Couvercle inférieur x 1
- 5 Vis pour support de montage x 2
- 6 Vis moteur pour pale x 9
- 7 Rondelle plate pour pale x 9
- 8 Kit d'équilibrage x 1
- 9 Récepteur des signaux de la télécommande x 1
- 10 Télécommande x 1



This fan is suitable for indoor, alfresco and coastal areas where the fan is fully undercover with a minimum of 1 walls. This fan is not waterproof. When installed in an alfresco or coastal area, the ceiling fan must be positioned in a location protected from water, wind and dust. Exposure to these elements will void the warranty. Mounting the fan in a situation where it is subject to water or moisture is dangerous.

### INSTALLER LE SUPPORT DE FIXATION

- Il faut installer le ventilateur au plafond dans un endroit où les pales seront éloignés les uns les autres au moins 300mm de la pointe de pale jusqu'à l'objet ou mur plus proche.
- Assurez la bielle de support à la solive de plafond ou structure qui sont capable de porter un poids de 30KG avec deux vis longues. Assurez qu'un moins 30mm de vis a été attaché au support.



REMARQUE: DESSIN A BUT D'ILLUSTRATION UNIQUEMENT

Fig. 2

**NOTE:** Les vis de support sont destinées juste aux structures en bois. Pour les structures que des bois, les propres vis doivent être utilisées.

#### Installation de Plafond Incliné

Ce système de suspension de ventilateur support au maximum 15 degré d'installation de plafond incliné.

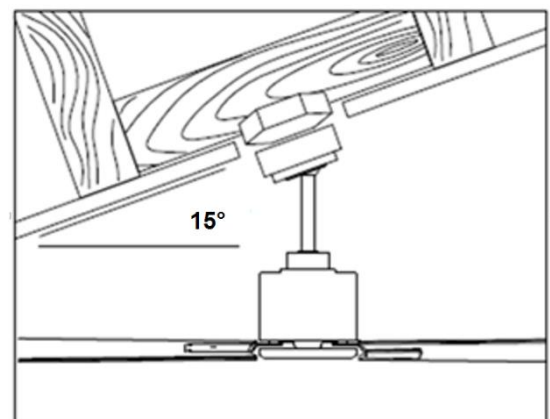


Fig. 3



### FIXATION DU VENTILATEUR

Soulever le ventilateur sur le support de montage. S'assurer que le logement de calage du palier de suspension est positionné sur le butoir du support de montage afin de prévenir la rotation du ventilateur lorsqu'il est en fonctionnement. (Fig. 4)

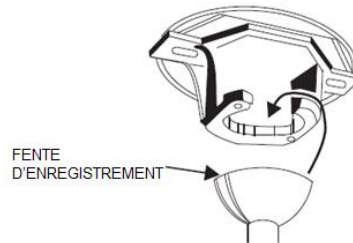


Fig.4

### INSTALLATION DES LAMES

#### Assembler les pales

1. Avant d'assembler les pales, retirez les vis moteur et les rondelles plates.
2. Fixez une pale sur le moteur à l'aide de 2 vis avec rondelle en veillant à les serrer simultanément. (Veillez à ne pas serrer excessivement, car cela peut endommager les pales.) Une fois terminé, répétez cette procédure avec les pales restantes.

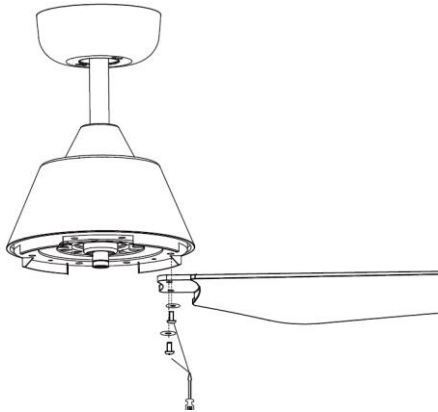


Fig. 5

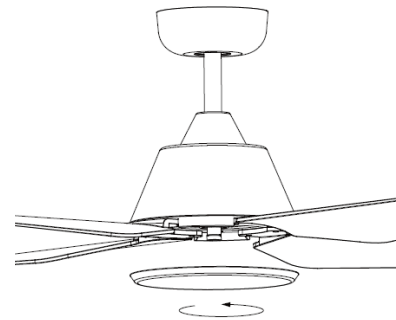


Fig. 6

#### Assembler le couvercle inférieur (ventilateur sans lampe)

Fixez le couvercle inférieur sur le ventilateur en le tournant dans le sens horaire.

#### Assembler le kit lampe LED (ventilateur avec lampe)

Assemblez le kit lampe LED sur la base de lampe et branchez les fils au kit lampe LED avec les connecteurs rapides. Fixez le kit lampe LED sur la base de lampe en le tournant dans le sens horaire.

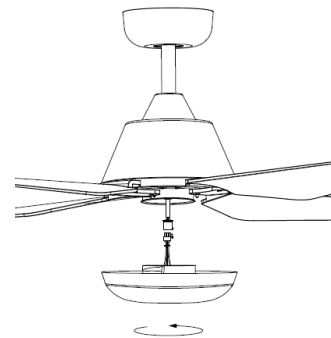


Fig. 7



**SCHEMA DE CÂBLAGE ÉLECTRIQUE**

**AVERTISSEMENT:** POUR VOTRE SÉCURITÉ Les branchements électriques doivent être effectués par un électricien agréé.

**NOTE:** UNE supplémentaires Toutes POLE DECONNEXION interrupteur doit être incluse dans le câblage fixe.

- Branchez le câble d'alimentation " LIVE " au bornier " L " sur le support de montage.
- Branchez le câble d'alimentation " NEUTRAL " au bornier " N " sur le support de montage.
- Branchez le câble d'alimentation " EARTH " au bornier "⊕" sur le support de montage.
- Branchez le connecteur de sortie (1) du récepteur au connecteur (1) du châssis du ventilateur.
- Connectez le connecteur (2) du support de montage du ventilateur sur le connecteur d'entrée (2) du récepteur.
- Connectez le connecteur (3) du détecteur infrarouge au connecteur d'entrée (3) du récepteur.

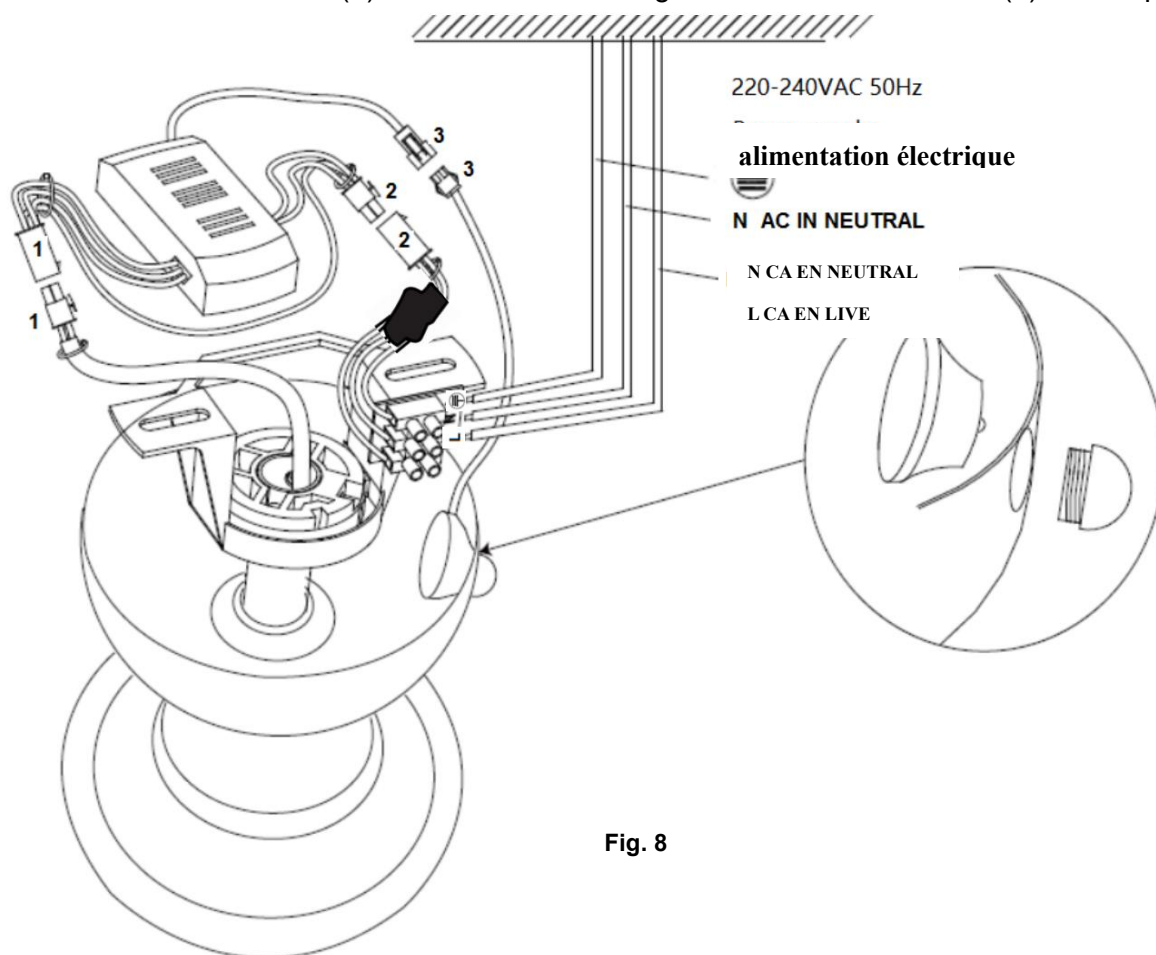


Fig. 8

Power Supply	alimentation électrique
L AC IN LIVE	L CA EN LIVE
N AC IN NEUTRAL	N CA EN NEUTRAL



This fan is suitable for indoor, alfresco and coastal areas where the fan is fully undercover with a minimum of 1 walls. This fan is not waterproof. When installed in an alfresco or coastal area, the ceiling fan must be positioned in a location protected from water, wind and dust. Exposure to these elements will void the warranty. Mounting the fan in a situation where it is subject to water or moisture is dangerous.

**COMPLÈTEMENT DE L'INSTALLATION**

- Après avoir complété la connexion électrique au bornier du support de montage, connecter le câblage de ventilateur au plafond en utilisant le connecteur libre.
- Couvrir le support de montage avec la voile. Assurer que tous les câblages électriques soient dans la voile et qui ne soient pas endommagés pendant cette procédure. Assurer la voile au support de suspension en utilisant les vis. Fig 9.

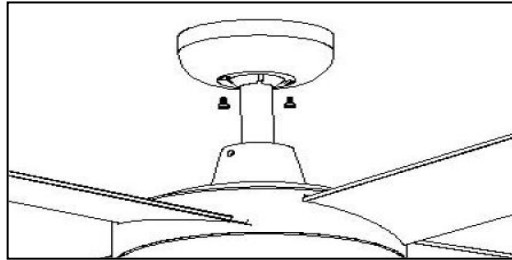


Fig. 9

**UTILISEZ VOTRE VENTILATEUR AU PLAFOND**

**TÉLÉCOMMANDE**

Votre ventilateur de plafond est contrôlé par la télécommande. Avant d'utiliser la télécommande, ce qui suit doit être considéré.

- 1 pile x CR2032 3V est nécessaire pour faire fonctionner la télécommande. Retirez le plateau de batterie (2) en appuyant sur le clic (1) du plateau de batterie. Placez la batterie (3) sur le support et remplacez le plateau sur la télécommande (4) indiqué par le symbole de polarité " + " (5). Assurez-vous que la polarité est correcte, comme indiqué dans le compartiment de la batterie.

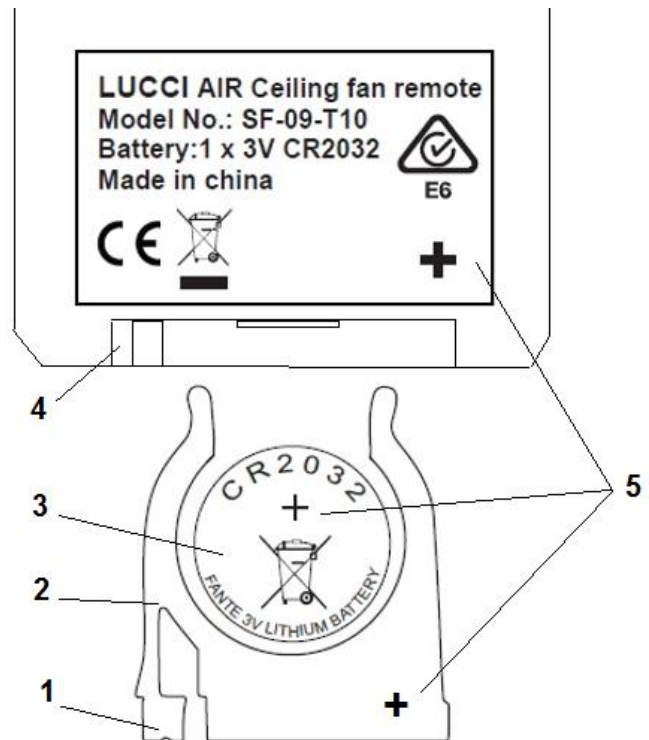


Fig. 10



This fan is suitable for indoor, alfresco and coastal areas where the fan is fully undercover with a minimum of 1 walls. This fan is not waterproof. When installed in an alfresco or coastal area, the ceiling fan must be positioned in a location protected from water, wind and dust. Exposure to these elements will void the warranty. Mounting the fan in a situation where it is subject to water or moisture is dangerous.

### UTILISATION DE LA TELECOMMANDE :

Avant de commencer à utiliser la télécommande, prenez le temps de lire cette section et de vous familiariser avec les boutons et la fonction de chaque bouton (Fig. 11).

#### 1. IR EMETTEUR

2. bouton **HI** : Appuyez sur le bouton pour faire tourner le ventilateur à grande vitesse.
3. bouton **MED** : Appuyez sur le bouton pour faire tourner le ventilateur à vitesse moyenne.
4. bouton **LOW** : Appuyez sur le bouton pour faire tourner le ventilateur à vitesse lente.
5. bouton **OFF** : Appuyez sur le bouton pour éteindre le ventilateur.

6 / 7 / 8 **1Hr / 3 Hr / 6Hr** bouton de minuterie du ventilateur : Appuyez sur le bouton pour activer la fonction de minuterie du ventilateur, le ventilateur se mettra alors automatiquement hors tension après 1 heure / 3 heures / 6 heures.

12. **Bouton LIGHT** : Appuyez sur le bouton pour éteindre / allumer (ON/OFF) le ventilateur. L'éclairage LED comporte une fonction d'intensité variable à 3 niveaux contrôlée par un interrupteur Marche/Arrêt.

Lorsque l'éclairage LED est allumé et au niveau de luminosité 100 %, appuyez sur le bouton d'éclairage « Marche puis Arrêt dans les 5 secondes », pour réduire l'éclairage LED. Appuyez à nouveau sur Marche puis Arrêt dans les 5 secondes pour réduire encore l'intensité dans l'ordre suivant : Luminosité 100 % → Luminosité 60 % → Luminosité 10 % → Luminosité 100 %.

Pour revenir à tout moment au niveau de luminosité 100 %, éteignez l'éclairage, puis attendez 5 secondes et rallumez l'éclairage. Il repasse alors au niveau de luminosité 100 %.

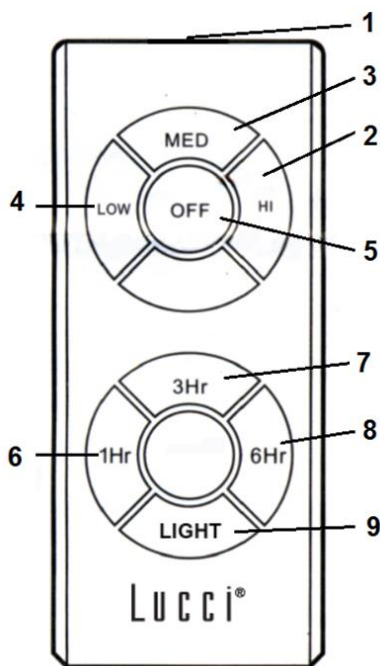


Fig. 11

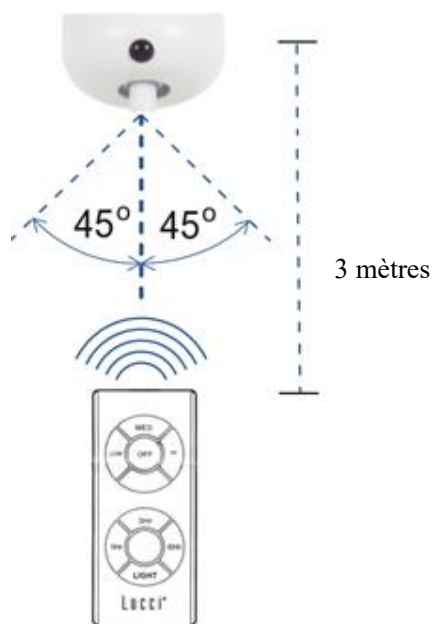


Fig. 12





La télécommande a une fonction de mémoire. Si le ventilateur ou la lumière est coupée par le sectionneur, il mémorise son dernier état, qu'il retrouve lorsque vous le rallumez.

**Distance réelle / emplacement pour la télécommande IR (Fig. 12)**

Ligne de gauche vers le centre : Environ 45 degrés

Ligne de droite vers le centre : Environ 45 degrés

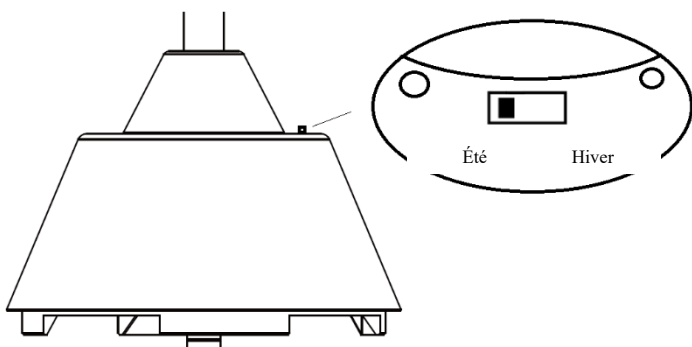
Distance de la télécommande vers le récepteur: 5 mètres maximum.

**FONCTIONNEMENT INVERSÉ**

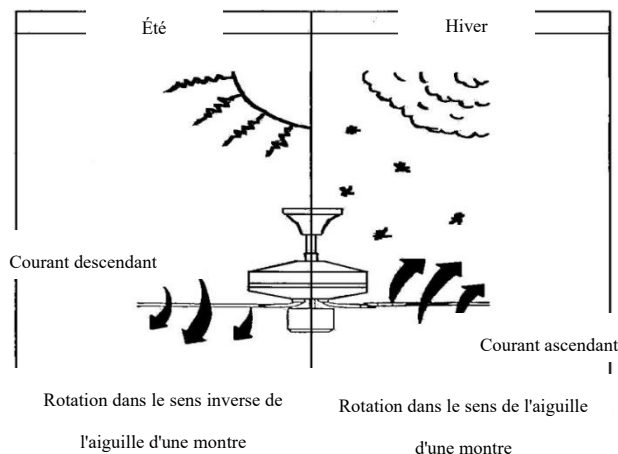
Votre ventilateur peut être opéré en mode ventilateur et en mode ventilateur inversé.

Mode **ÉTÉ**: Positionner l'interrupteur inverseur sur "down" (SUMMER) afin de faire tourner le ventilateur dans le sens inverse des aiguilles du montre. Le jet d'air orienté vers le bas crée un courant d'air frais.

Mode **HIVER**: Positionner l'interrupteur inverseur sur "up" (WINTER) afin de faire tourner le ventilateur dans le sens des aiguilles d'une montre. La répartition de l'air ambiant chauffé vers le haut favorise les économies d'énergie.



**Fig. 13**



Reverse Switch	Interrupteur de marche inverse
Winter	Hiver
Summer	Été
Down Draft	Courant descendant
Updraft	Courant ascendant
Counter clockwise Rotation	Rotation dans le sens inverse de l'aiguille d'une montre
Clockwise Rotation	Rotation dans le sens de l'aiguille d'une montre



This fan is suitable for indoor, alfresco and coastal areas where the fan is fully undercover with a minimum of 1 walls. This fan is not waterproof. When installed in an alfresco or coastal area, the ceiling fan must be positioned in a location protected from water, wind and dust. Exposure to these elements will void the warranty. Mounting the fan in a situation where it is subject to water or moisture is dangerous.

**APRES L'INSTALLATION****OSCILLATION:**

NOTE: LES VENTILATEURS TENDENT A SE DEPLACER PENDANT LE FONCTIONNEMENT AU FAIT QU'ILS SONT MONTES SUR UNE RONDELLE EN CAOUTCHOUC. SI LE VENTILATEUR A ETE MONTE DE FAÇON RIGIDE AU PLAFOND, IL PROVOQUE DES VIBRATIONS EXCESSIVE. MOUVEMENT DE QUELQUE CENTIMÈTRE TOUT A FAIT ACCEPTABLE ET NE SUGGERE JAMAIS EN CAS DE PROBLEME.

**POUR REDUIRE L'OSCILLATION DE VENTILATEUR:** S'IL VOUS PLAÎT VERIFIER QUE TOUS LES VIS QUI FIXENT LE SUPPORT DE MONTAGE ET BAS SONT ROD SECURE.

NOTE: Ce ventilateur a été équilibré avec précision à l'usine et n'aura pas besoin d'être équilibré à nouveau.

**BRUIT:**

Quand il est calme (surtout la nuit), vous entendrez peut-être des petits bruits occasionnels. Les fluctuations de puissance légères et des signaux de fréquences superposées en électricité pour les périodes creuses maîtrise de l'eau chaude, peuvent provoquer un changement dans le bruit du moteur de ventilateur. Ceci est normal. S'il vous plaît permettre une période de 24 heures "rodage", la plupart des bruits associés à un nouveau ventilateur disparaissent pendant le temps. La garantie du fabricant couvre les défauts réels qui peuvent se développer et pas les plaintes mineures comme entendre le moteur en marche - Tous les moteurs électriques sont audibles dans une certaine mesure.

**SOINS ET NETTOYAGE**

- Le nettoyage périodique de votre ventilateur de plafond est le seul entretien nécessaire. Utilisez une brosse ou un chiffon doux non pelucheux pour éviter de rayer la peinture de finition. S'il vous plaît couper l'alimentation électrique lorsque vous faites.
- Ne pas utiliser d'eau pour nettoyer votre ventilateur de plafond. Cela pourrait endommager le moteur ou les lames et créer la possibilité d'un choc électrique.
- Le moteur comporte un palier à billes lubrifié à vie. Il n'est pas nécessaire utiliser l'huile

NOTE: Toujours couper l'alimentation à l'interrupteur principal avant de tenter de nettoyer votre ventilateur.



### INFORMATION TECHNIQUE

Modèles de ventilateurs	Ventilateur 48" avec éclairage	Ventilateur 48" uniquement	Ventilateur 52" avec éclairage	Ventilateur 52" uniquement
Tension nominale	220-240 V~ 50 Hz			
Puissance nominale (moteur)	50 W			
Puissance nominale (ampoule)	LED, 18 W, 3000K, intensité variable à 3 niveaux	N/A	LED, 18 W, 3000K, intensité variable à 3 niveaux	N/A
Source lumineuse	Ce produit contient une source lumineuse de classe d'efficacité énergétique < E >	N/A	Ce produit contient une source lumineuse de classe d'efficacité énergétique < E >	N/A
Poids	5,5 kg	4,9 kg	5,6 kg	5,0 kg
Dimensions du cache de fixation	H : 50 mm    Dia : 136			

### INFORMATION SUR LA GARANTIE

**LES CLIENTS D'AUSTRALIE / NOUVELLE ZEALAND** – Nous vous prions de référer à la déclaration de garantie séparé.

**EN EUROPE** – Si vous êtes un client européen S'il vous plaît contacter le point de vente où le ventilateur était l'achat du service de garantie.



This fan is suitable for indoor, alfresco and coastal areas where the fan is fully undercover with a minimum of 1 walls. This fan is not waterproof. When installed in an alfresco or coastal area, the ceiling fan must be positioned in a location protected from water, wind and dust. Exposure to these elements will void the warranty. Mounting the fan in a situation where it is subject to water or moisture is dangerous.

# E

## FELICITACIONES POR SU COMPRA


Felicitaciones por la compra de este producto de calidad de Lucci. Para garantizar el funcionamiento y seguridad, por favor antes de utilizar el producto, lea detalladamente todas las instrucciones y guárdelas para futura referencia.

## MEDIDAS DE SEGURIDAD

La información contenida en las páginas que siguen se ha preparado para asegurar la operación sin problemas de su ventilador de techo.

1. Europa: los niños mayores de 8 años pueden usar este electrodoméstico así como aquellas personas con capacidades físicas, sensoriales o mentales reducidas o falta de experiencia siempre y cuando se les ofrezca supervisión o formación respecto al uso del aparato de forma segura y entiendan los peligros que implica. La limpieza y mantenimiento del aparato no debe ser realizada por niños sin supervisión.
2. Los niños deben ser atendidos para asegurar que no jueguen con el aparato.
3. Debe incorporarse un interruptor con desconexión de todos los polos al cableado instalado, de acuerdo con las normas locales.



4.  No deseche los aparatos eléctricos en los vertederos municipales como un desecho sin clasificar, utilice las instalaciones de recolección selectiva de residuos. Póngase en contacto con las autoridades locales para obtener información sobre los sistemas de recolección disponibles. Si los aparatos eléctricos son desechados en terrenos sanitarios o vertederos, las sustancias peligrosas pueden filtrarse en el agua subterránea y entrar en la cadena alimentaria, dañando su salud y bienestar.
5. La estructura en la que el ventilador se va a montar debe ser capaz de soportar un peso de 30kg.
6. El ventilador debe ser montado de manera que las paletas estén al menos 2,3 metros por encima del suelo en Europa o 2.1 metros sobre el suelo en Australia
7. El ventilador está diseñado únicamente para uso en interiores. es peligroso el montaje del ventilador en un lugar donde esté expuesto al agua o a la humedad y se anulará la garantía .
8. Sólo un electricista autorizado debe ejecutar la instalación.
9. **ADVERTENCIA:** Si se observara un movimiento inusual de oscilación o bamboleo, deje de usar el ventilador de techo inmediatamente y póngase en contacto con el fabricante, su agente de servicio técnico o personas debidamente calificadas.
10. La sustitución de las piezas del sistema de suspensión de seguridad deberá llevarla a cabo el fabricante, su agente de servicios o personas debidamente calificadas.



11. Los elementos para sujetarlo al techo, como ganchos u otros elementos, deberán fijarse con suficiente firmeza para soportar 4 veces el peso del ventilador de techo. El montaje del sistema de suspensión deberá efectuarlo el fabricante, su agente de servicios o personas debidamente cualificadas.



This fan is suitable for indoor, alfresco and coastal areas where the fan is fully undercover with a minimum of 1 walls. This fan is not waterproof. When installed in an alfresco or coastal area, the ceiling fan must be positioned in a location protected from water, wind and dust. Exposure to these elements will void the warranty. Mounting the fan in a situation where it is subject to water or moisture is dangerous.

**ANTES DE LA INSTALACIÓN**

Desembale el ventilador de techo con cuidado. Saque todas las piezas y la tornillería. Examine todas las piezas, que deberían incluir lo siguiente:

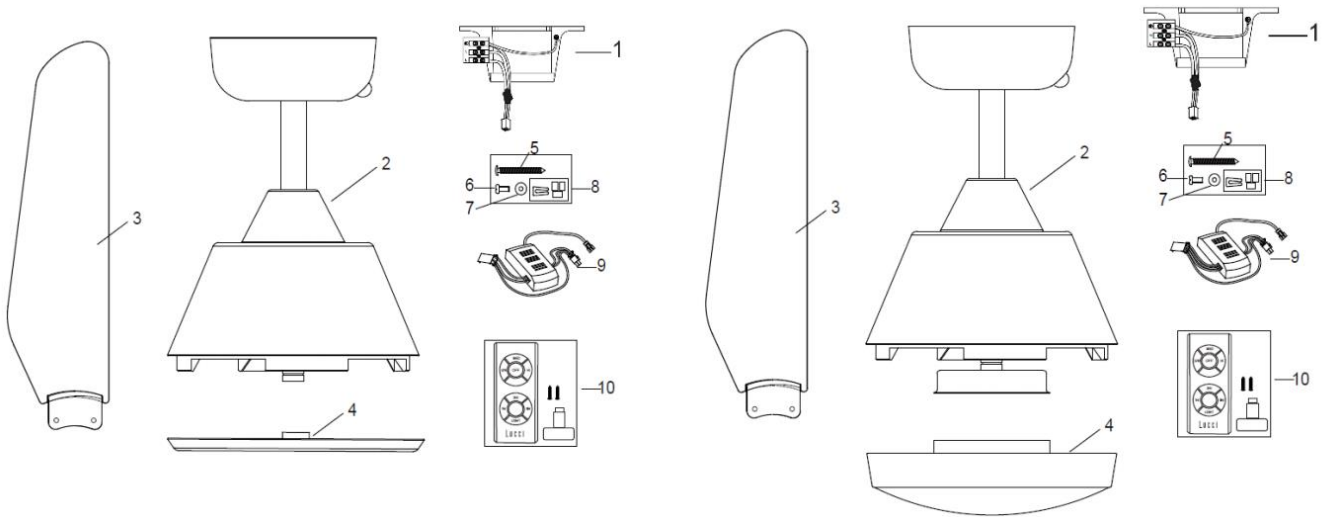


Fig. 1

**Ventilador sin luz**

- 1 Soporte de pared x 1
- 2 Motor del ventilador, tija y florón preensamblados x 1
- 3 Aspas x 4
- 4 Cubierta inferior x 1
- 5 Tornillos para el soporte mural x 2
- 6 Tornillos para las aspas x 9
- 7 Arandelas planas para las aspas x 9
- 8 Kit de balanceo x 1 set
- 9 Receptor de la señal remota x 1

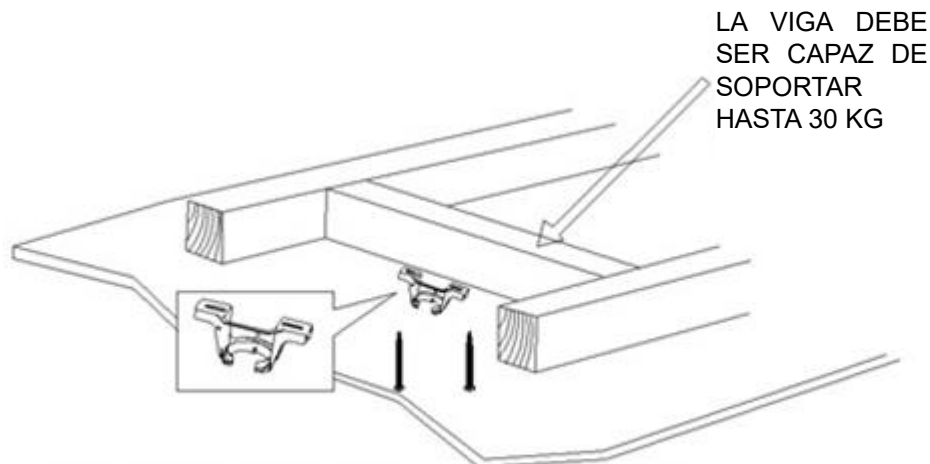
**Ventilador con luz**

- 1 Soporte de pared x 1
- 2 Motor del ventilador, tija y florón preensamblados x 1
- 3 Aspas x 4
- 4 Cubierta inferior x 1
- 5 Tornillos para el soporte mural x 2
- 6 Tornillos para las aspas x 9
- 7 Arandelas planas para las aspas x 9
- 8 Kit de balanceo x 1 set
- 9 Receptor de la señal remota x 1

This fan is suitable for indoor, alfresco and coastal areas where the fan is fully undercover with a minimum of 1 walls. This fan is not waterproof. When installed in an alfresco or coastal area, the ceiling fan must be positioned in a location protected from water, wind and dust. Exposure to these elements will void the warranty. Mounting the fan in a situation where it is subject to water or moisture is dangerous.

## INSTALACIÓN DEL SOPORTE DE MONTAJE

- El ventilador de techo se debe instalar en una ubicación de manera que las paletas queden separadas de los objetos y paredes un mínimo de 300mm desde la punta de las paletas.
- Asegure el soporte para colgar a la viga del techo o estructura sea capaz de transportar una carga de al menos 30kg, con los dos tornillos largos suministrados. Asegúrese de que al menos 30 mm del tornillo se enrosque en el soporte.



NOTA: LA FIGURA SE INCLUYE SOLAMENTE PARA FINES EXPLICATIVOS Y NO REPRESENTA AL SOPORTE REAL

Figura. 2

**NOTA: Los tornillos del soporte que se proporcionan son para su uso exclusivo con estructuras de madera. Para estructuras distintas de las de madera, se debe utilizar el tipo de tornillo adecuado.**

### Instalación en techos en ángulo

Este sistema de colgado del ventilador admite para su instalación un máximo de 15 grados de ángulo del techo.

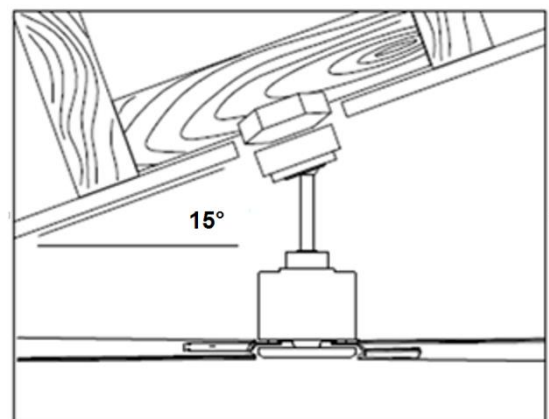


Figura. 3



### COLGAR EL VENTILADOR

Levante el ventilador sobre la abrazadera de montaje. Asegúrese que la ranura de registro de la bola del colgador está colocada en el tope de la abrazadera de montaje para evitar que el ventilador gire mientras se encuentra en funcionamiento. (Fig. 4)

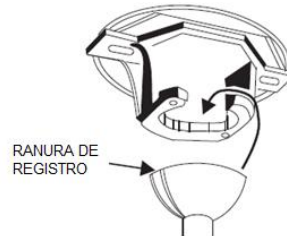


Figura. 4

### INSTALACIÓN DE LOS

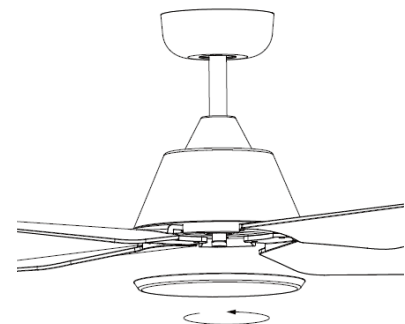
#### Instalación de las aspas

1. Antes de instalar las aspas, quite los tornillos del motor y las arandelas planas.
2. Asegure una aspa al motor con 2 tornillos y sus arandelas correspondientes, y procure apretarlos simultáneamente (no los apriete excesivamente, ya que podría dañar las aspas).

Una vez hecho esto, repita el proceso para el resto de las aspas.



Img. 5



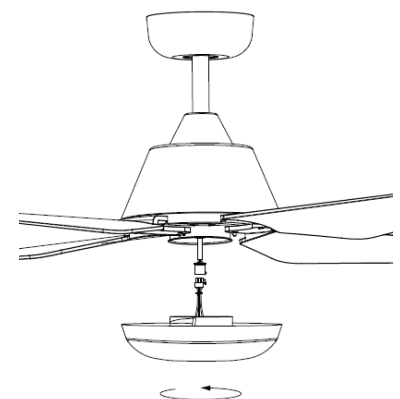
Img. 6

#### Instalación de la cubierta inferior (para el ventilador sin luz)

Asegure la cubierta inferior al ventilador girándola en sentido horario.

#### Instalación de la lámpara led (para el ventilador con luz)

Acople la lámpara led a su base y conecte los cables de la luz a través de la regleta de conexiones rápidas. Asegure la lámpara led a su base y gírela en sentido horario.



Img. 7





**DIAGRAMA DE CABLEADO ELÉCTRICO**

**ADVERTENCIA:** PARA SU SEGURIDAD TODAS LAS CONEXIONES ELÉCTRICAS DEBEN SER REALIZADAS POR UN ELECTRICISTA AUTORIZADO.

**NOTA:** DEBE INCLUIRSE UN INTERRUPTOR ADICIONAL DE DESCONEXIÓN DE TODOS POLOS EN EL CABLEADO FIJO.

- Conecte el cable de alimentación “LIVE” al bloque de terminales “L” en la abrazadera de montaje.
- Conecte el cable de alimentación “NEUTRAL” al bloque de terminales “N” en la abrazadera de montaje.
- Conecte el cable “EARTH” al bloque de terminales “⊕” en la abrazadera de montaje.
- Conecte el conector de salida (1) desde el receptor al conector (1) del cuerpo del ventilador.
- Conecte el conector (2) desde la abrazadera de montaje del ventilador al conector de entrada (2) del receptor.
- Conecte el conector (3) desde el detector de infrarrojos al conector de entrada (3) del receptor.

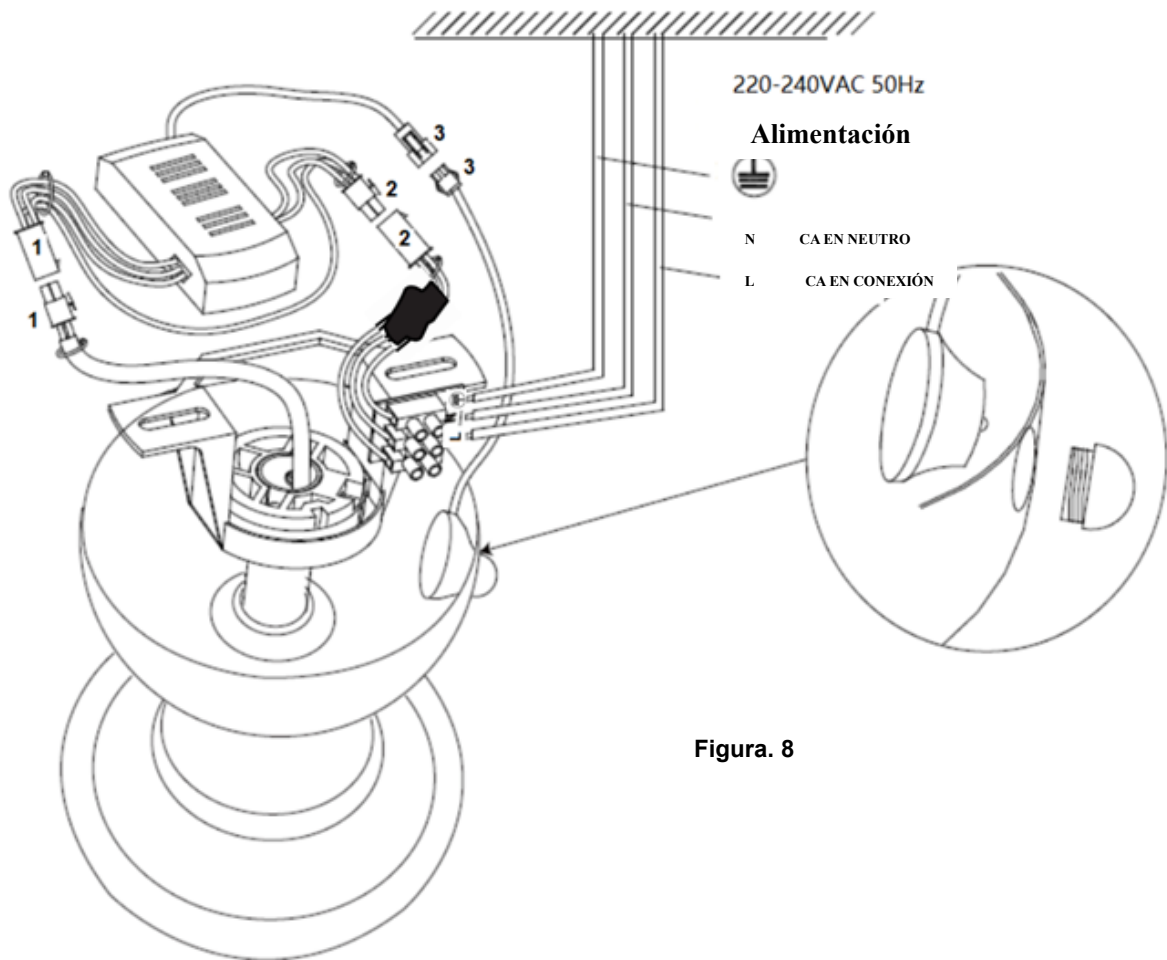


Figura. 8



This fan is suitable for indoor, alfresco and coastal areas where the fan is fully undercover with a minimum of 1 walls. This fan is not waterproof. When installed in an alfresco or coastal area, the ceiling fan must be positioned in a location protected from water, wind and dust. Exposure to these elements will void the warranty. Mounting the fan in a situation where it is subject to water or moisture is dangerous.

Power Supply		Alimentación	
L	AC IN LIVE	L	CA EN CONEXIÓN
N	AC IN NEUTRAL	N	CA EN NEUTRO

**FINISHING THE INSTALLATION**

- Después de finalizar la conexión eléctrica en le bloque de terminales del soporte de montaje, conecte el cableado del ventilador de techo a través del enchufe de conexión rápida.
- Cubra el soporte de montaje con el dosel. Asegúrese de que todo el cableado eléctrico está dentro del dosel y de que no ha sido dañado durante esta operación. Asegure el dosel al soporte de suspensión utilizando los tornillos suministrados. Fig 9.

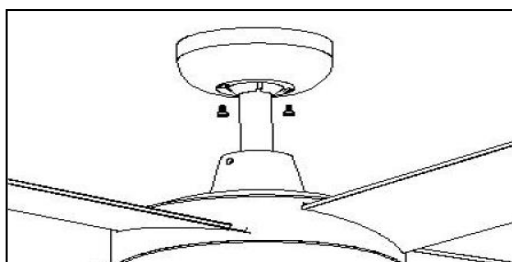


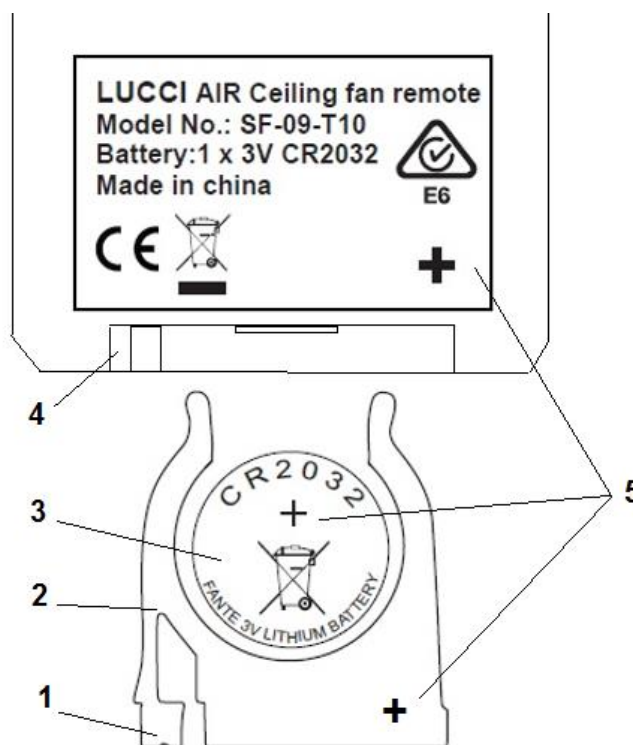
Figura. 9

**FUNCIONAMIENTO DEL VENTILADOR DE TECHO**

**MANDO A DISTANCIA**

Su ventilador de techo lo controla el mando a distancia. Antes de poner en funcionamiento el mando a distancia, se debe considerar lo siguientes.

- Es necesaria 1 pila CR2032 3V para poner el funcionamiento el mando a distancia. Extraiga la bandeja de las pilas (2) pulsando el clic (1) de la bandeja de las pilas. Coloque la pila (3) en la bandeja y vuelva a insertar la bandeja en el mando (4) indicado por el símbolo de la polaridad “+” (5). Asegúrese de que la polaridad es correcta, tal y como se muestra en el compartimento de las pilas.



This fan is suitable for indoor, alfresco and coastal areas where the fan is fully undercover with a minimum of 1 walls. This fan is not waterproof. When installed in an alfresco or coastal area, the ceiling fan must be positioned in a location protected from water, wind and dust. Exposure to these elements will void the warranty. Mounting the fan in a situation where it is subject to water or moisture is dangerous.

**FUNCIONAMIENTO DEL MANDO A DISTANCIA:**

Antes de empezar a usar el mando a distancia, tómesese cierto tiempo para leerse esta sección y familiarizarse con los botones y las funciones de cada botón (Figura 11).

1. TRANSMISOR IR

- 2. Botón **HI**: pulse este botón para que el ventilador funcione a una velocidad alta.
- 3. Botón **MED**: pulse este botón para que el ventilador funcione a una velocidad media.
- 4. Botón **LOW**: pulse este botón para que el ventilador funcione a una velocidad baja.
- 5. Botón **OFF**: pulse este botón para apagar el ventilador.

6 / 7 / 8. Botón del temporizador del ventilador **1Hr / 3Hr / 6Hr**: pulse este botón para activar la función de temporizador del ventilador; el ventilador se apagará tras funcionar durante 1 hora / 3 horas / 6 horas.

12. Botón **LIGHT**: pulse este botón para ENCENDER / APAGAR la luz.

La lámpara led tiene 3 niveles de atenuación que se controlan desde el interruptor.

Cuando la lámpara led está encendida y al 100% de brillo, pulse primero el botón de encendido (ON) y después el de apagado (OFF) en menos de 5 segundos para atenuar la luz de la lámpara led. Vuelva a pulsar consecutivamente los botones de encendido (ON) y apagado (OFF) en menos de 5 segundos para continuar atenuando la luz siguiendo este secuencia: 100% brillo → 60% brillo → 10% brillo → 100% brillo

Para volver al 100% de brillo desde cualquier modo, apague la lámpara y espere 5 segundos antes de volver a encenderla.

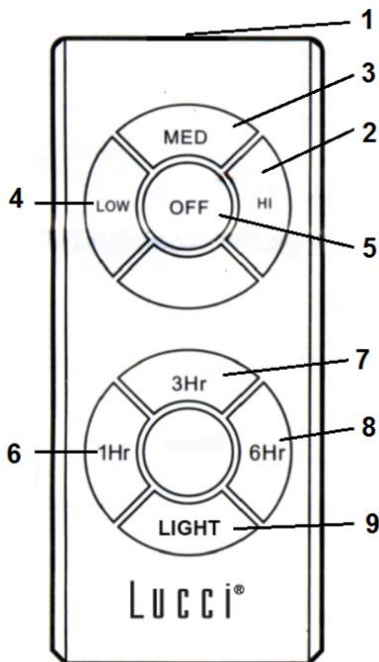


Figura. 11

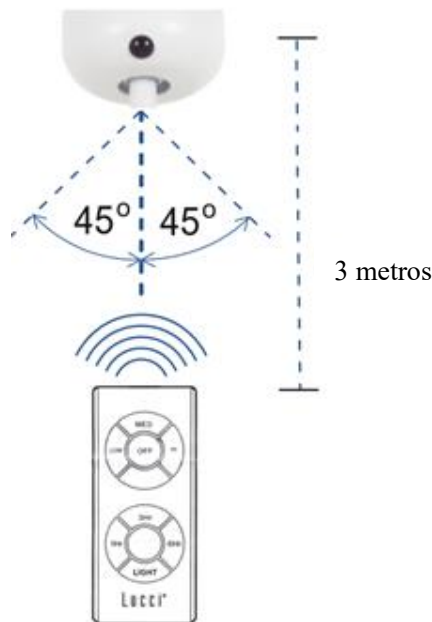


Figura. 12

El mando a distancia tiene una función de memoria. Si se apaga el ventilador o la luz mediante el



This fan is suitable for indoor, alfresco and coastal areas where the fan is fully undercover with a minimum of 1 walls. This fan is not waterproof. When installed in an alfresco or coastal area, the ceiling fan must be positioned in a location protected from water, wind and dust. Exposure to these elements will void the warranty. Mounting the fan in a situation where it is subject to water or moisture is dangerous.

interruptor aislador, lo memorizará y recuperará el último estado cuando se encienda después.

**Ubicación / distancia efectiva para el mando a distancia de IR (Figura 12)**

A la izquierda de la línea central: aproximadamente 45 grados

A la derecha de la línea central: aproximadamente 45 grados

Distancia desde al mando a distancia al receptor: 5 metros máximo

**Funcionamiento reversible**

Su ventilador puede girar en dirección de reloj o en la contraria.

Modo **VERANO**: Si el interruptor para dirección del giro está hacia “abajo” (SUMMER) el ventilador girará en dirección de reloj. El flujo de aire estará dirigido hacia abajo para enfriar con una brisa directa.

Modo **INVIERNO**: Si el interruptor para dirección del giro está hacia “arriba” (WINTER) el ventilador girará contra dirección de reloj. El flujo de aire estará dirigido hacia el techo para distribuir el aire calido cerca del techo.

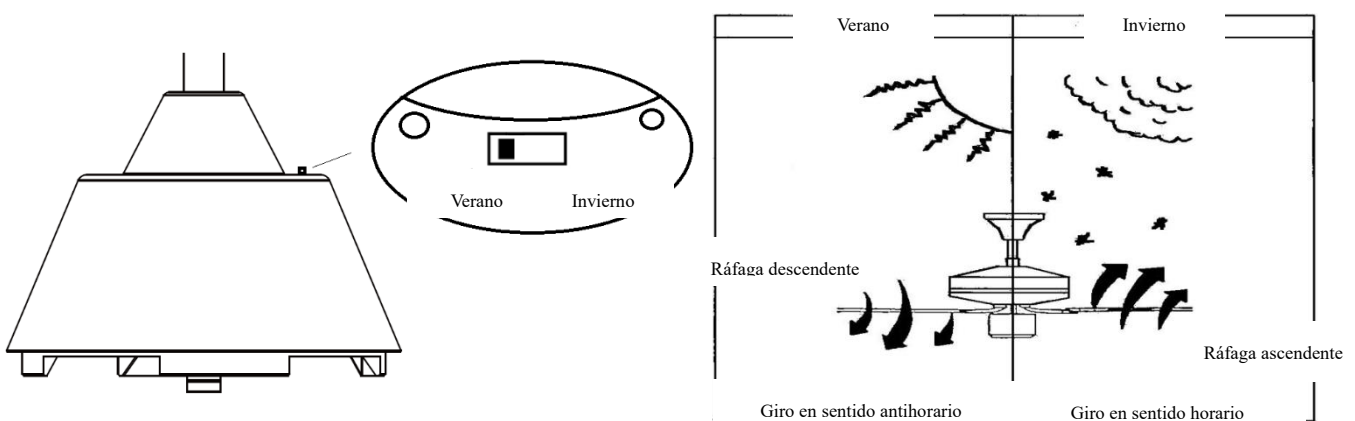


Figura. 13

Reverse Switch	Inversor
Winter	Invierno
Summer	Verano
Down Draft	Ráfaga descendente
Updraft	Ráfaga ascendente
Counter clockwise Rotation	Giro en sentido antihorario
Clockwise Rotation	Giro en sentido horario

**DESPUÉS DE LA INSTALACIÓN**

**HOLGURA:**



This fan is suitable for indoor, alfresco and coastal areas where the fan is fully undercover with a minimum of 1 walls. This fan is not waterproof. When installed in an alfresco or coastal area, the ceiling fan must be positioned in a location protected from water, wind and dust. Exposure to these elements will void the warranty. Mounting the fan in a situation where it is subject to water or moisture is dangerous.

NOTA: LOS VENTILADORES DE TECHO TIENDEN A MOVERSE DURANTE LA OPERACIÓN POR EL HECHO DE QUE SE MONTAN EN UN ANILLO DE GOMA. SI EL VENTILADOR SE MONTARA EN EL TECHO RÍGIDAMENTE PODRÍA CAUSAR UNA VIBRACIÓN EXCESIVA. UN MOVIMIENTO DE ALGUNOS CENTÍMETROS ES BASTANTE ACEPTABLE Y NO CAUSA NINGÚN PROBLEMA.

**PARA REDUCIR EL CABECEO DEL VENTILADOR:** COMPRUEBE QUE TODOS LOS TORNILLOS QUE FIJAN EL SOPORTE DE MONTAJE Y LA VARILLA ESTÁN BIEN AJUSTADOS.

NOTA: Este ventilador está balanceado con exactitud en la fábrica y no necesitará ser balanceado nuevo.

### **RUIDO:**

Cuando todo está tranquilo (especialmente por la noche) puede que oiga pequeños ruidos ocasionales. Las fluctuaciones leves y las señales de frecuencia superpuestas en la electricidad para el control del agua caliente, pueden causar un cambio en el ruido del motor del ventilador. Esto es normal. Por favor, espere un período de 24 horas "regulando", la mayoría de los ruidos asociados con un ventilador nuevo desaparecen con el tiempo. La garantía del fabricante cubre fallas reales que se pueden producir pero NO las quejas de menor importancia tales como escuchar el funcionamiento del motor - Todos los motores eléctricos producen algún ruido.

### **CUIDADO Y LIMPIEZA:**

- La limpieza periódica de su ventilador de techo es el único mantenimiento requerido. Utilice un paño libre de pelusa o un cepillo suave para evitar rayar el acabado de la pintura. Por favor, apague la electricidad cuando lo hace.
- No use agua para limpiar el ventilador de techo. Se podría dañar el motor o las paletas y crear la posibilidad de una descarga eléctrica.
- El motor tiene un cojinete de bolas permanentemente lubricado. No se necesita ponerle aceite

NOTA: Desconecte siempre el interruptor de alimentación antes de tratar de limpiar su ventilador.



**INFORMACIÓN TÉCNICA**

Modelos de ventilador	Ventilador con luz de 48" (122 cm)	Ventilador de 48" solamente	Ventilador con luz de 52" (132 cm)	Ventilador de 52" solamente
Tensión nominal	220-240 V~ 50 Hz			
Potencia nominal (motor)	50 W			
Vataje nominal (lámpara)	Led, 18 W, 1100 lm, 3000 K, 3 niveles de atenuación	N/A	Led, 18 W, 1100 lm, 3000 K, 3 niveles de atenuación	N/A
Fuente de iluminación	Este producto contiene una fuente de iluminación con una eficiencia energética de clase < E >	N/A	Este producto contiene una fuente de iluminación con una eficiencia energética de clase < E >	N/A
Peso	5,5 kg	4,9 kg	5,6 kg	5,0 kg
Dimensiones del florón	Altura: 50 mm; Ø: 136 mm			

**INFORMACIÓN SOBRE LA GARANTÍA**

CLIENTES DE **AUSTRALIA / NUEVA ZELANDA** - Por favor, consulte la declaración de garantía particular.

**EN EUROPA** - Si usted es un cliente europeo, póngase en contacto con la tienda donde se compra el ventilador para el servicio de garantía.



This fan is suitable for indoor, alfresco and coastal areas where the fan is fully undercover with a minimum of 1 walls. This fan is not waterproof. When installed in an alfresco or coastal area, the ceiling fan must be positioned in a location protected from water, wind and dust. Exposure to these elements will void the warranty. Mounting the fan in a situation where it is subject to water or moisture is dangerous.

# I

## VI RINGRAZIAMO PER IL VOSTRO ACQUISTO


Congratulazioni per l'acquisto di questo prodotto di qualità Lucci. Per assicurare la corretta funzionalità e la sicurezza, si prega di leggere con attenzione e salvare tutte le istruzioni prima di utilizzare il prodotto.

## PRECAUZIONI DI SICUREZZA

Le informazioni contenute nelle pagine seguenti sono stati predisposti per essere sicuri di funzionamento senza problemi del vostro ventilatore a soffitto.

1. Europa: Questo elettrodomestico può essere usato dai bambini dagli 8 anni in su e da persone con ridotte capacità fisiche, sensoriali o mentali o con mancanza di esperienza e conoscenza, se sono controllate o se vengono loro date istruzioni sull'uso sicuro dell'elettrodomestico e ne comprendono i pericoli. La pulizia e la manutenzione non dovrebbero essere fatte da bambini senza supervisione.
2. I bambini devono essere sorvegliati per assicurarsi che non giochino con l'apparecchio.
3. Un interruttore onnipolare deve essere incorporato nel cablaggio fisso, secondo le norme di cablaggio locali.

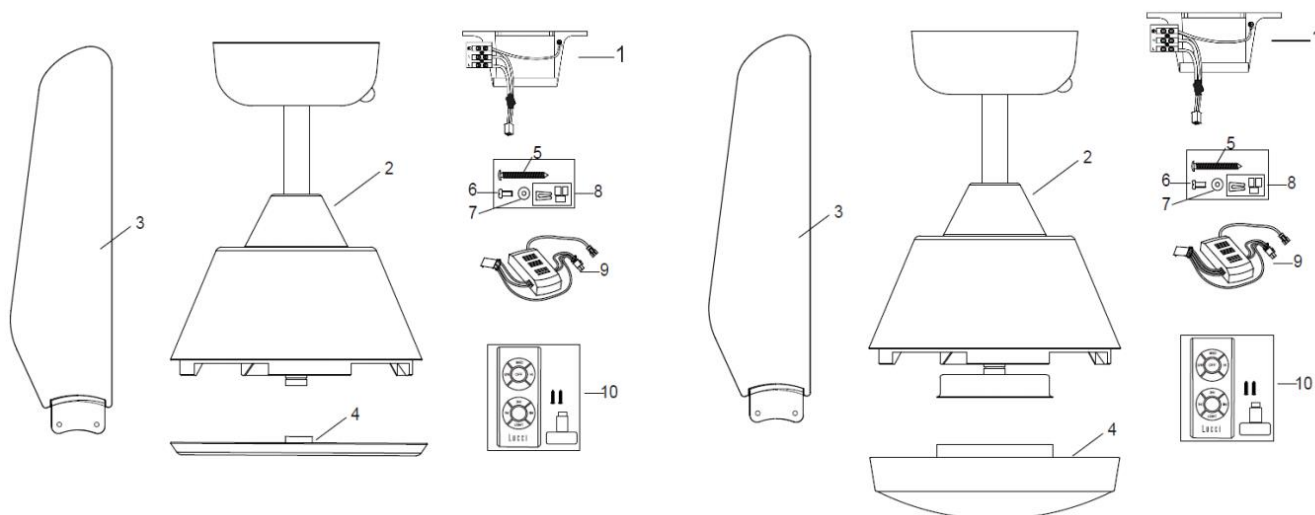


4.  Non smaltire apparecchi elettrici nei rifiuti urbani indifferenziati, utilizzare servizi di raccolta differenziata. Contattare il governo locale per informazioni riguardanti i sistemi di raccolta disponibili. Se gli apparecchi elettrici vengono smaltiti in discariche, le sostanze pericolose possono fuoriuscire nelle acque sotterranee ed entrare nella catena alimentare, danneggiando la salute e il benessere.
5. La struttura a cui la ventola deve essere montata deve essere in grado di sopportare un peso di 30kg.
6. Il ventilatore deve essere montato in modo che le lame siano almeno 2,3 metri sopra il pavimento in Europa o 2,1 metri sopra il pavimento in Australia
7. Il ventilatore è stato progettato esclusivamente per uso interno. Montaggio del ventilatore in una posizione in cui esso è soggetto ad acqua o umidità è pericoloso e va invalidare la garanzia.
8. Solo un elettricista qualificato dovrebbe eseguire l'installazione
9. **AVVERTENZA!** In caso di oscillazioni anomale, interrompere immediatamente l'uso del ventilatore a soffitto e contattare il costruttore, il suo centro di assistenza o un tecnico qualificato.
10. La sostituzione delle parti del sistema di sospensione di sicurezza deve essere effettuata dal costruttore, dal suo centro di assistenza o da un tecnico qualificato.
11. I dispositivi di fissaggio del ventilatore al soffitto, ad esempio i ganci, devono essere in grado di sostenere 4 volte il peso del ventilatore; l'installazione del sistema di sospensione deve essere effettuata dal costruttore, dal suo centro di assistenza o da un tecnico qualificato.



**PRIMA L'INSTALLAZIONE**

Disimballare il ventilatore con attenzione. Estrarre tutti i componenti e gli accessori. Esaminare tutti i componenti e verificare che corrispondano a quelli elencati di seguito.



**Fig. 1**

**Ventilatore senza lampada**

- 1** Staffa di montaggio x 1
- 2** Motore, asta e calotta x 1
- 3** Pale x 4
- 4** Copertura inferiore x 1
- 5** Vite per staffa di montaggio x 2
- 6** Viti del motore per pale x 9
- 7** Rondella piatta per pale x 9
- 8** Kit di bilanciamento x 1
- 9** Sensore del telecomando x 1
- 10** Set telecomando x 1

**Ventilatore con lampada**

- 1** Staffa di montaggio x 1
- 2** Motore, asta e calotta x 1
- 3** Pale x 4
- 4** Copertura inferiore x 1
- 5** Vite per staffa di montaggio x 2
- 6** Viti del motore per pale x 9
- 7** Rondella piatta per pale x 9
- 8** Kit di bilanciamento x 1
- 9** Sensore del telecomando x 1
- 10** Set telecomando x 1



This fan is suitable for indoor, alfresco and coastal areas where the fan is fully undercover with a minimum of 1 walls. This fan is not waterproof. When installed in an alfresco or coastal area, the ceiling fan must be positioned in a location protected from water, wind and dust. Exposure to these elements will void the warranty. Mounting the fan in a situation where it is subject to water or moisture is dangerous.



## INSTALLARE LA STAFFA DI MONTAGGIO

- Il ventilatore deve essere installato in una posizione che le lame siano una distanza minima 300 millimetri dalla punta della lama agli oggetti o pareti vicine.
- Fissare la staffa di sostegno al travetto soffitto o una struttura che è in grado di trasportare un carico di almeno 30 kg, con le due viti lunghe fornite. Garantire almeno 30 mm della vite è filettato nel supporto.

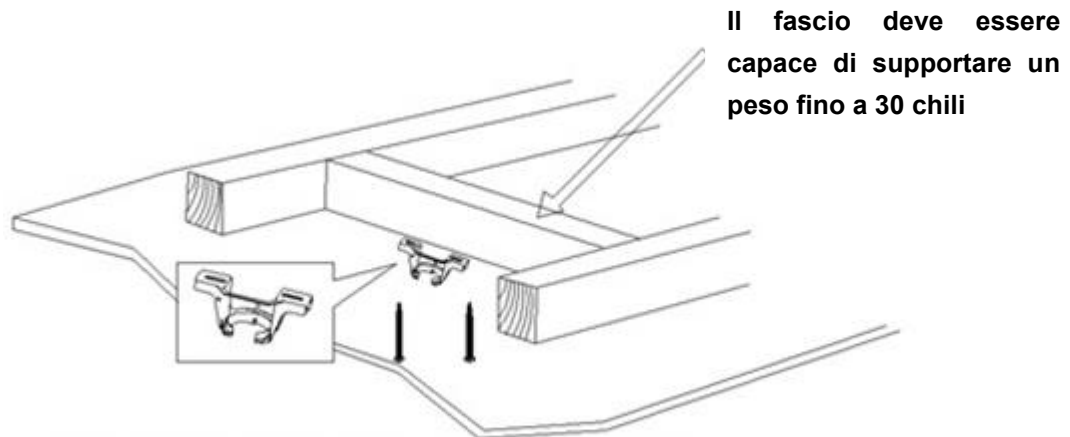


Fig. 2

**NOTA:** L'immagine è solo una rappresentazione e non rappresenta il supporto attuale.

**NOTA:** le viti della staffa forniti sono per l'uso con strutture in legno solo. Per strutture diverse da quelle in legno, DEVE essere utilizzato il tipo di vite appropriato.

### Installazione a Soffitto Inclinato

Questo sistema di ventilazione appeso supporta l'installazione massimo 15 gradi soffitto inclinato.

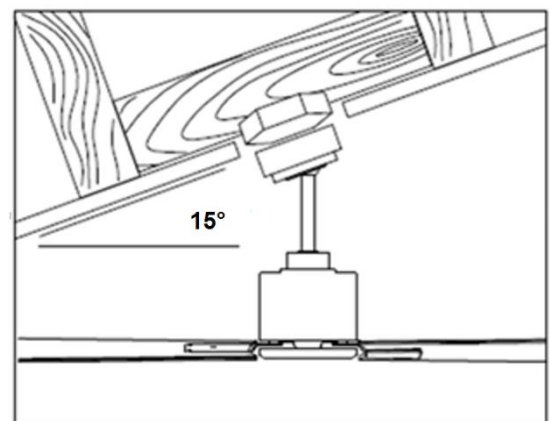


Fig. 3



## INSTALLAZIONE DEL VENTILATORE

Sollevarlo il gruppo ventilatore sulla staffa di montaggio. Assicuratevi che la tacca della sfera di sospensione sia posizionata sul fermo della staffa di montaggio per impedire al ventilatore di ruotare quando in funzione. (Fig.4)



Fig. 4

## INSTALLAZIONE DELLE PALE

### Installazione delle pale

1. Prima di installare le pale, rimuovere le viti del motore e le rondelle piatte.
2. Fissare la pala sul motore usando 2 viti con rondelle, serrandole simultaneamente (fare attenzione a non serrarle eccessivamente per evitare di danneggiare le pale).

Al termine dell'installazione, ripetere il processo per le pale rimanenti.

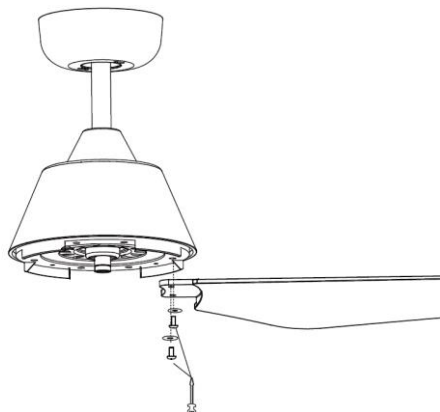


Fig. 5

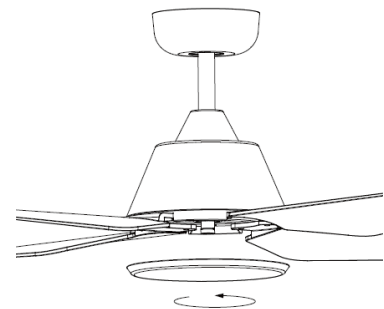


Fig. 6

### Installazione della copertura inferiore (per ventilatori senza lampada)

Fissare la copertura inferiore sul ventilatore ruotandolo in senso orario.

### Installazione del kit luce LED (per ventilatori con lampada)

Fissare il kit luce LED alla base della lampada e collegare i fili al kit luce LED tramite i connettori rapidi. Fissare il kit luce LED alla base della lampada ruotando il corpo del kit luce LED in senso orario.

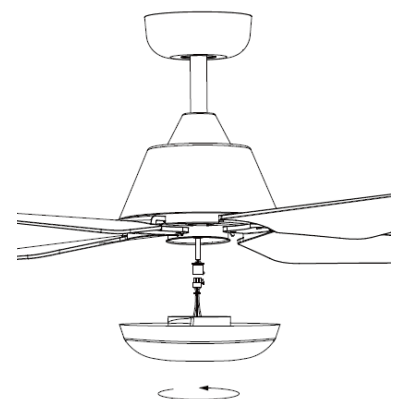


Fig. 7



### SCHEMA ELETTRICO

**ATTENZIONE:** PER LA VOSTRA SICUREZZA TUTTI I COLLEGAMENTI ELETTRICI DEVONO ESSERE EFFETTUATI DA UN ELETTRICISTA QUALIFICATO

**NOTA:** UN SUPPLEMENTARE ALL POLE SEZIONATORE DEVE ESSERE INCLUSO NEL CABLAGGIO FISSO.

- Collegare il cavo di alimentazione "FASE" al blocco terminale "L" del supporto per il montaggio.
- Collegare il cavo di alimentazione "NEUTRALE" al blocco terminale "N" del supporto per il montaggio.
- Collegare il cavo "TERRA" al blocco terminale "⊕" del supporto per il montaggio.
- Collegare il connettore di uscita (1) del ricevitore al connettore (1) del corpo del ventilatore.
- Collegare il connettore (2) del supporto per il montaggio del ventilatore al connettore di ingresso (2) del ricevitore.
- Collegare il connettore (3) del rilevatore a infrarossi al connettore di ingresso (3) del ricevitore.

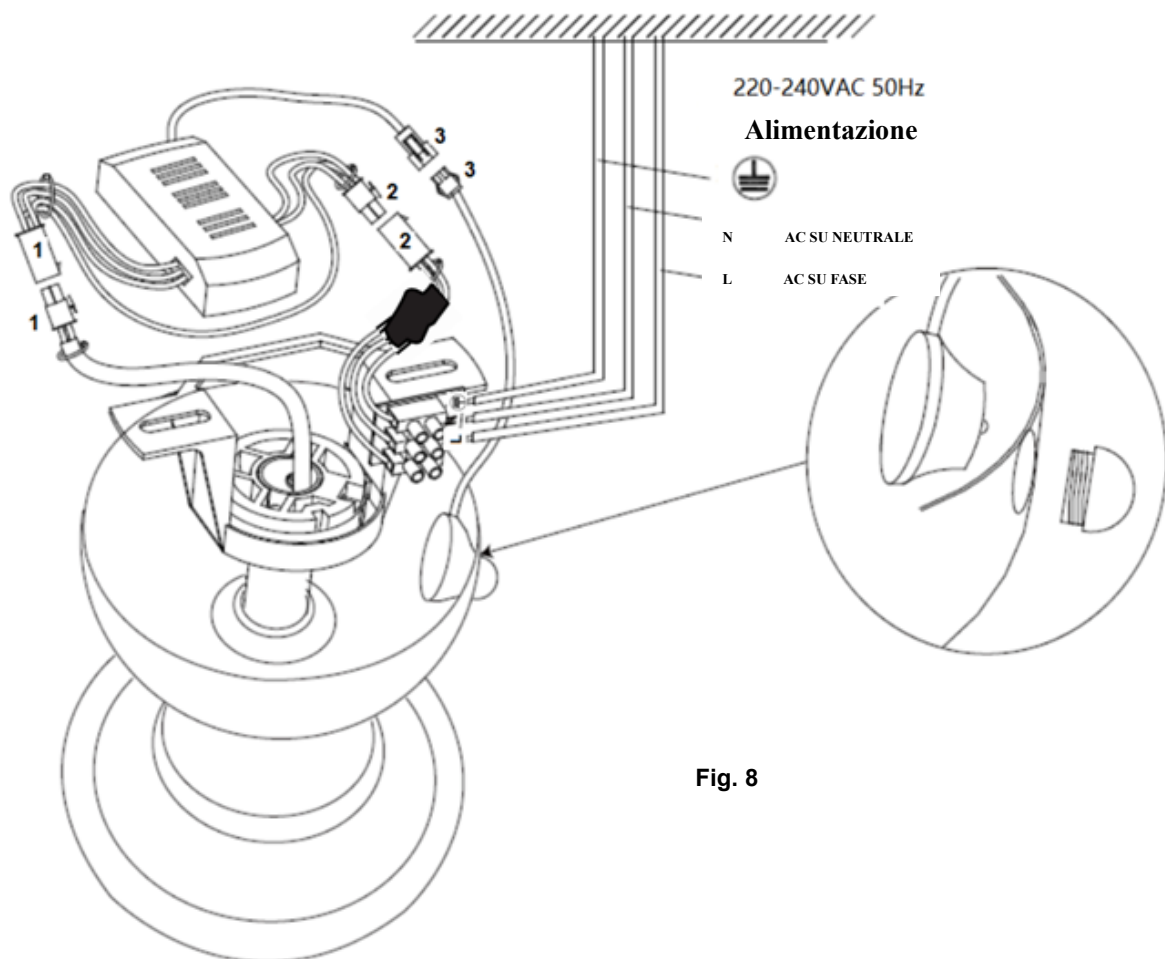


Fig. 8



Power Supply	Alimentazione
L AC IN LIVE	L AC SU FASE
N AC IN NEUTRAL	N AC SU NEUTRALE

### COMPLETAMENTO DELL'INSTALLAZIONE

- Dopo aver completato il collegamento elettrico al blocco terminale della staffa di montaggio, collegare il cavo del ventilatore a soffitto tramite il connettore rapido.
- Coprire la staffa di montaggio con la calotta. Assicurarsi che tutti i cavi elettrici siano nascosti all'interno della calotta e che non siano stati danneggiati durante questa operazione. Fissare la calotta alla staffa di supporto utilizzando le viti in dotazione. Fig 9.

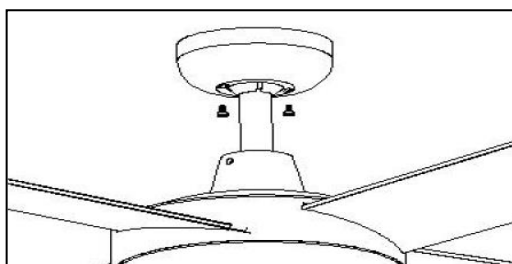


Fig. 9

### UTILIZZARE IL VOSTRO VENTILATORE A SOFFITTO

#### TELECOMANDO

Il ventilatore a soffitto è controllato da un telecomando. Prima di utilizzare il telecomando si prega di leggere i seguenti dati.

- Per il funzionamento del telecomando occorre 1 batteria CR2032 3V. Aprire il vano batterie (2) utilizzando la levetta (1) sul vano stesso. Posizionare la batteria (3) nel vano e reinserirla nel lato del telecomando (4) indicato dal simbolo di polarità "+" (5). Assicurarsi che la polarità sia la stessa indicata nel vano batterie.

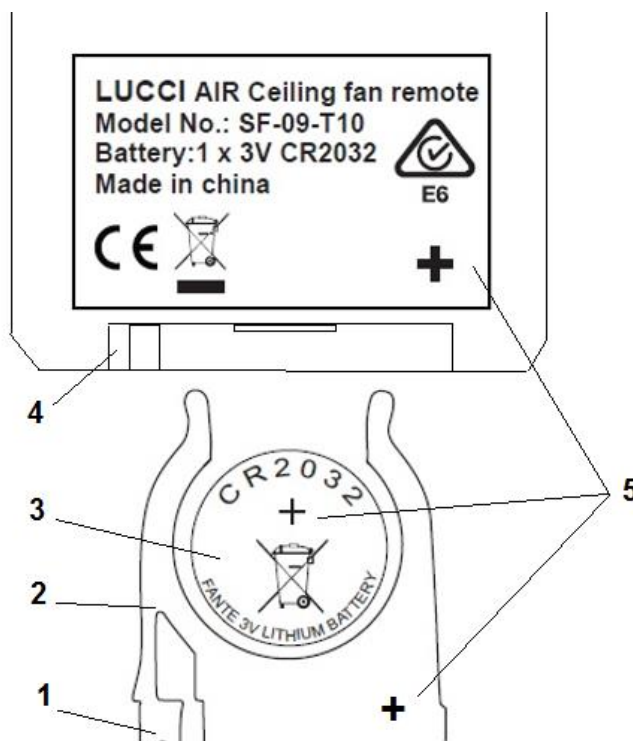


Fig. 10



**UTILIZZO DEL TELECOMANDO:**

Prima di iniziare a utilizzare il telecomando si prega di leggere la seguente sezione e di familiarizzare con i tasti e le relative funzioni (Fig. 11).

1. **TRASMETTITORE IR**

- 2. Pulsante **HI**: premere questo pulsante per impostare il ventilatore su una velocità alta.
- 3. Pulsante **MED**: premere questo pulsante per impostare il ventilatore su una velocità media.
- 4. Pulsante **LOW**: premere questo pulsante per impostare il ventilatore su una velocità bassa.
- 5. Pulsante **OFF**: premere questo pulsante per spegnere il ventilatore.

6 / 7 / 8. Pulsante timer **1 Hr / 3 Hr / 6 Hr**: premere il pulsante per attivare la funzione timer del ventilatore; il ventilatore si spegnerà dopo 1 ora / 3 ore / 6 ore.

12. Pulsante **LUCE**: premere questo pulsante per accendere/spegnere la luce.

Il kit luce LED è dotato di funzione varialuce a 3 livelli, controllata tramite l'interruttore della luce.

Regolazione del livello di luminosità della luce: quando la luce è accesa e al 100% della luminosità, premere il pulsante LIGHT due volte in rapida successione (entro 5 secondi). Ripetere il processo di doppia pressione rapida del pulsante LIGHT per abbassare ulteriormente il livello di luminosità nel seguente ordine: 100% della luminosità → 60% della luminosità → 10% della luminosità → 100% della luminosità.

Per tornare in qualsiasi momento al 100% della luminosità, spegnere la luce, attendere 5 secondi, quindi riaccenderla.

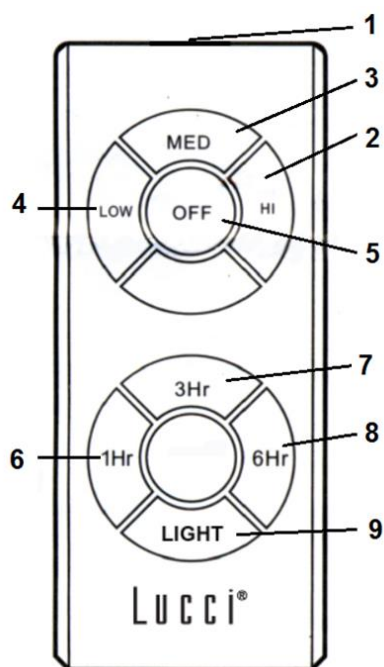


Fig. 11

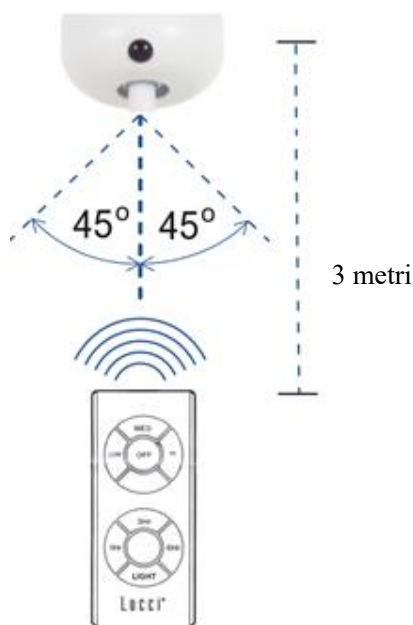


Fig. 12



This fan is suitable for indoor, alfresco and coastal areas where the fan is fully undercover with a minimum of 1 walls. This fan is not waterproof. When installed in an alfresco or coastal area, the ceiling fan must be positioned in a location protected from water, wind and dust. Exposure to these elements will void the warranty. Mounting the fan in a situation where it is subject to water or moisture is dangerous.

Il telecomando dispone di una funzione di memoria. Se il ventilatore o la luce vengono spenti dall'interruttore, esso memorizzerà lo stato e lo ripristinerà alla successiva accensione.

**Distanza operativa/posizione del telecomando IR (Fig. 12)**

A sinistra rispetto al centro: circa 45 gradi

A destra rispetto al centro: circa 45 gradi

Distanza tra il telecomando e il ricevitore: max. 5 metri

**FUNZIONE DI RITORNO**

Il ventilatore può essere azionato in senso orario e antiorario.

**MODO ESTIVO:** se l'interruttore della funzione di ritorno si trova su "down" (ESTATE), significa che ventilatore gira in senso antiorario. In questo caso l'aria viene deviata in basso rinfrescando il locale in estate.

**MODO INVERNALE:** se l'interruttore della funzione di ritorno si trova su "up" (ESTATE), significa che ventilatore gira in senso orario. In questo caso l'aria viene deviata in alto allo scopo di risparmiare energia in inverno.

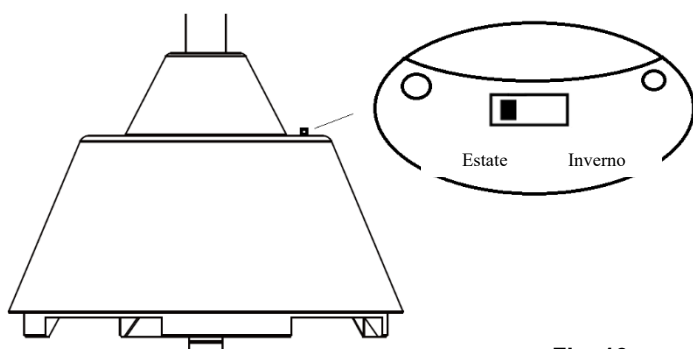
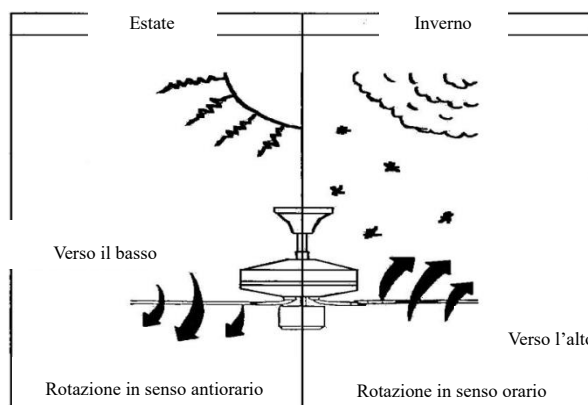


Fig. 13



Reverse Switch	Interruttore di inversione
Winter	Inverno
Summer	Estate
Down Draft	Verso il basso
Updraft	Verso l'alto
Counter clockwise Rotation	Rotazione in senso antiorario
Clockwise Rotation	Rotazione in senso orario



This fan is suitable for indoor, alfresco and coastal areas where the fan is fully undercover with a minimum of 1 walls. This fan is not waterproof. When installed in an alfresco or coastal area, the ceiling fan must be positioned in a location protected from water, wind and dust. Exposure to these elements will void the warranty. Mounting the fan in a situation where it is subject to water or moisture is dangerous.

**DOPO L'INSTALLAZIONE****OSCILLAZIONE:**

NOTA: I VENTILATORI TENDONO A MUOVERSI DURANTE IL FUNZIONAMENTO DOVUTO AL FATTO CHE SONO MONTATI SU UN ANELLO DI GOMMA. SE IL VENTILATORE È STATO MONTATO RIGIDAMENTE AL SOFFITTO AVREBBE CAUSATO VIBRAZIONI ECCESSIVE. MOVIMENTO DI QUALCHE CENTIMETRO È QUASI ACCETTABILE E NON SUGGERISCE QUALSIASI PROBLEMA.

**PER RIDURRE IL VENTILATORE OSCILLANTE:** CONTROLLARE CHE TUTTE LE VITI CHE FISSANO LA STAFFA DI MONTAGGIO SIANO SICURE.

NOTA: Questa ventola è stata la precisione ottenuta in fabbrica e non avrà bisogno di essere bilanciata di nuovo.

**RUMORE:**

Quando è tranquillo (soprattutto di notte) si può sentire occasionali piccoli rumori. Lievi fluttuazioni di potenza e segnali di frequenza sovrapposti in elettricità per off-peak controllo dell'acqua calda, può provocare un cambiamento di rumore della ventola del motore. Questo è normale. Si prega di consentire un periodo di 24 ore "rottura-in", la maggior parte dei rumori associati con un nuovo ventilatore scompaiono durante il tempo. La garanzia del produttore copre i difetti reali che possono svilupparsi e NON lamentare minori come sentire la corsa del motore - Tutti i motori elettrici sono udibili in una certa misura.

**MANUTENZIONE E PULIZIA:**

- La pulizia periodica del vostro ventilatore a soffitto è l'unica manutenzione richiesta. Utilizzare una spazzola morbida o un panno privo di peli per evitare di graffiare la vernice. Si prega di spegnere l'elettricità quando lo fate.
- Non usare acqua per pulire il vostro ventilatore a soffitto. Si potrebbe danneggiare il motore o le lame e creare la possibilità di una scossa elettrica.
- Il motore ha una palla lubrificazione permanente. Non c'è bisogno di olio.

NOTA: Spegnere sempre l'alimentazione elettrica con l'interruttore prima di tentare di pulire il ventilatore.



### INFORMAZIONI TECNICHE

Modello di ventilatore	Ventilatore da 48" con lampada	Ventilatore da 48" senza lampada	Ventilatore da 52" con lampada	Ventilatore da 52" senza lampada
Tensione nominale	220-240 V~ 50 Hz			
Potenza nominale (motore)	50 W			
Potenza nominale (lampada)	LED, 18 W, 3000 K, varialuce a 3 livelli	N/A	LED, 18 W, 3000 K, varialuce a 3 livelli	N/A
Fonte luminosa	Questo prodotto contiene una fonte luminosa con classe di efficienza energetica "E".	N/A	Questo prodotto contiene una fonte luminosa con classe di efficienza energetica "E".	N/A
Peso	5,5 kg	4,9 kg	5,6 kg	5,0 kg
Dimensioni della calotta	Altezza: 50 mm    Diametro: 136 mm			

### INFORMAZIONE SULLA GARANZIA

**CLIENTI IN AUSTRALIA / NUOVA ZELANDA** – Si prega di fare riferimento alla separata DICHIARAZIONE DI GARANZIA.

**IN EUROPA** – Se sei un cliente europeo, si prega di contattare il punto di vendita in cui il ventilatore era acquistato con servizio di garanzia.



This fan is suitable for indoor, alfresco and coastal areas where the fan is fully undercover with a minimum of 1 walls. This fan is not waterproof. When installed in an alfresco or coastal area, the ceiling fan must be positioned in a location protected from water, wind and dust. Exposure to these elements will void the warranty. Mounting the fan in a situation where it is subject to water or moisture is dangerous.



NL

## GEFELICITEERF MET UW AANKOOP

Gefeliciteerd met de aankoop van dit kwaliteitsproduct van Lucci. Lees en bewaar alle instructies aandachtig voordat u het product gebruikt, om een juiste werking en veiligheid te garanderen.

## VEILIGHEIDSVOORSCHRIFTEN

De informatie op de volgende pagina's is gericht om een veilig gebruik van uw ventilator te verzekeren.

1. Europa: Dit toestel kan worden gebruikt door kinderen van 8 jaar en ouder en door personen met verminderde lichamelijke, zintuigelijke of verstandelijke vermogens of gebruik aan ervaring en kennis als ze onder toezicht staan of worden geïnstrueerd over het veilige gebruik van het toestel en op de hoogte zijn van de mogelijke gevaren. Onderhoud en reiniging van het toestel mag niet worden uitgevoerd door kinderen zonder toezicht.
2. Kinderen moeten onder toezicht blijven zodat ze niet met het apparaat kunnen spelen.
3. Een tweepolige ontkoppeling moet in de vaste bedrading voorzien worden, in navolging van lokale elektriciteitsregels.



4. Gooi elektrische apparatuur niet in de normale vuilnisbak maar bring dit product naar de milieustraat. Neem contact op met uw gemeente over het verantwoordelijk weggooien van specifiek afval. Als elektrische apparatuur op stortplaatsen terecht komt, kunnen gevaarlijke stoffen in het grondwater lekken en vervolgens in de voedselketen en daarom schadelijk zijn voor gezondheid en welzijn.
5. De structuur waar de ventilator op geïnstalleerd is moet een gewicht van 30kg kunnen dragen.
6. De ventilator moet zo geïnstalleerd worden dat de schoepen tenminste 2.3 meter boven de vloer hangen (Europa) of 2.1 meter boven de vloer in Australië.
7. De ventilator is ontworpen voor binnengebruik. Het installeren van de ventilator in een ruimte met water of vocht is gevaarlijk. De garantie zal dan niet van toepassing zijn.
8. Alleen een gekwalificeerde electricien mag de installatie uitvoeren.
9. WAARSCHUWING: Bij ongewone trillingen of oscillerende bewegingen moet het gebruik van de plafondventilator onmiddellijk worden gestaakt en moet contact worden opgenomen met de fabrikant, een servicetechnicus of een daartoe bevoegde persoon.
10. De vervanging van onderdelen van de veiligheidsophanging moet worden uitgevoerd door de fabrikant, een servicetechnicus of een daartoe bevoegde persoon.



This fan is suitable for indoor, alfresco and coastal areas where the fan is fully undercover with a minimum of 1 walls. This fan is not waterproof. When installed in an alfresco or coastal area, the ceiling fan must be positioned in a location protected from water, wind and dust. Exposure to these elements will void the warranty. Mounting the fan in a situation where it is subject to water or moisture is dangerous.

11. De bevestigingsmiddelen voor het plafond, zoals haken of andere onderdelen, moeten voldoende stevig worden bevestigd om 4 maal het gewicht van de plafondventilator te kunnen weerstaan; de montage van het ophangstelsel moet worden uitgevoerd door de fabrikant, een servicetechnicus of een daartoe bevoegde persoon.



This fan is suitable for indoor, alfresco and coastal areas where the fan is fully undercover with a minimum of 1 walls. This fan is not waterproof. When installed in an alfresco or coastal area, the ceiling fan must be positioned in a location protected from water, wind and dust. Exposure to these elements will void the warranty. Mounting the fan in a situation where it is subject to water or moisture is dangerous.

## VOOR DE INSTALLATIE

Haal uw plafondventilator voorzichtig uit de verpakking. Verwijder alle onderdelen en ijzerwaren. Controleer of alle onderdelen aanwezig zijn. U moet het volgende hebben:

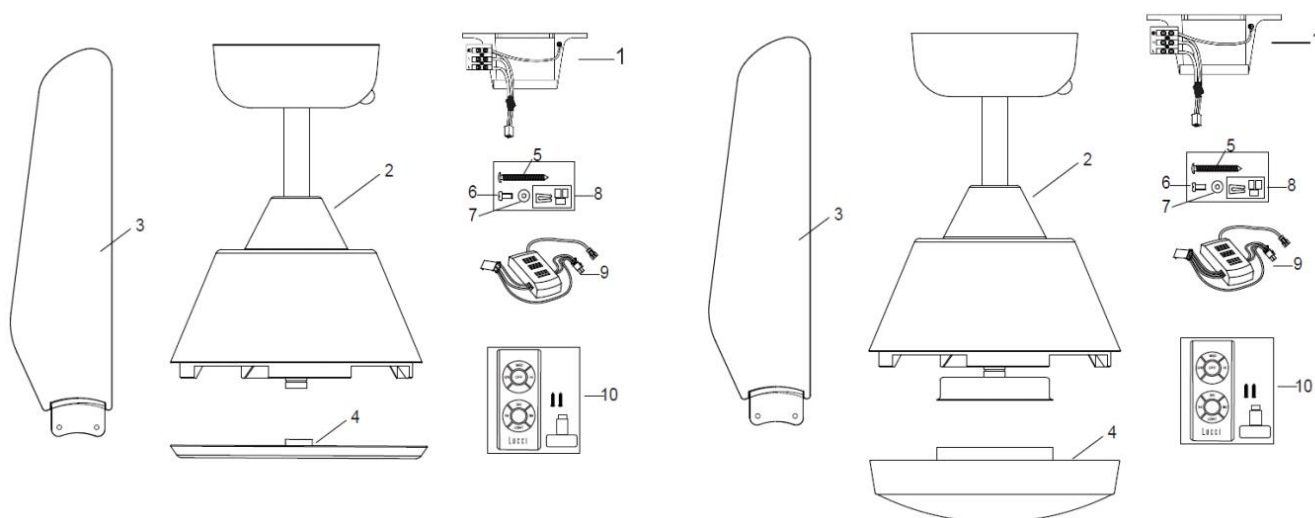


Fig. 1

### Ventilator zonder verlichting

- 1 Montagebeugel x 1
- 4 Reeds geïnstalleerde ventilatormotor, staaf en overkapping x 1
- 3 Ventilatorblad x 4
- 4 Onderste kap x 1
- 5 Schroef voor montagebeugel x 2
- 6 Motorschroef voor ventilatorblad x 9
- 7 Vlakke sluitring voor ventilatorblad x 9
- 8 Evenwichtskit x 1 set
- 9 Afstandsbedieningsontvanger x 1
- 10 Afstandsbediening x 1 set

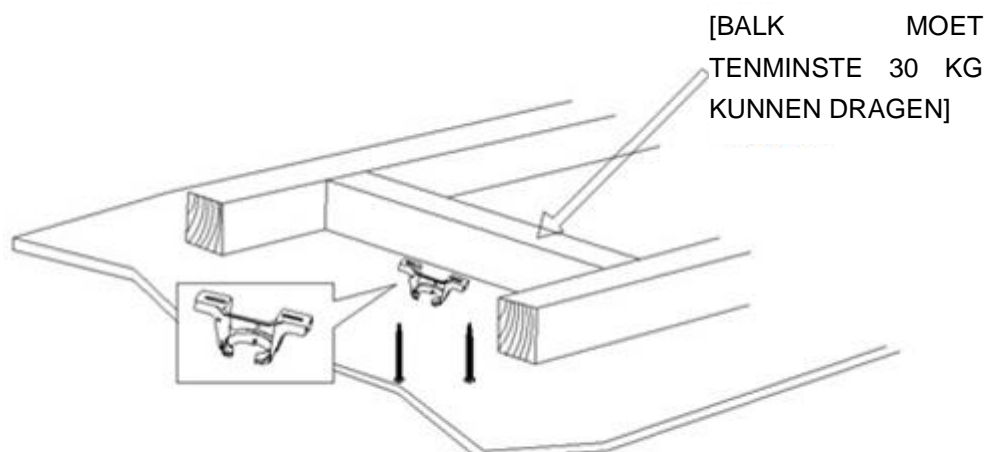
### Ventilator zonder verlichting

- 1 Montagebeugel x 1
- 4 Reeds geïnstalleerde ventilatormotor, staaf en overkapping x 1
- 3 Ventilatorblad x 4
- 4 Onderste kap x 1
- 5 Schroef voor montagebeugel x 2
- 6 Motorschroef voor ventilatorblad x 9
- 7 Vlakke sluitring voor ventilatorblad x 9
- 8 Evenwichtskit x 1 set
- 9 Afstandsbedieningsontvanger x 1
- 10 Afstandsbediening x 1 set



## DE HOUDER INSTALLEREN

- De ventilator moet in een ruimte geïnstalleerd worden waar tussen uiteinden van de schoepen en het dichtsbijzijnde voorwerp of muur tenminste 300mm zit.
- Installeer de houder aan een plafondbalk of structuur dat een lading van tenminste 30KG kan dragen, met de twee lange schroeven uit het pakket. Zorg ervoor dat tenminste 30 mm van de schroef in het draagvlak geschroefd is.



[OPMERKING: AFBEELDING IS ENKEL TER ILLUSTRATIE EN GEEFT DE EIGENLIJKE HOUDER NIET WEER.]

Fig. 2

**OPMERKING: De voorziene houderschroeven kunnen alleen in hout gebruikt worden. Voor andere structuren MOETEN de toepasselijke schroeven gebruikt worden (niet inbegrepen).**

### Plafondinstallatie met hoek

De ventilator kan met een maximale hoek van 15 graden opgehangen worden.

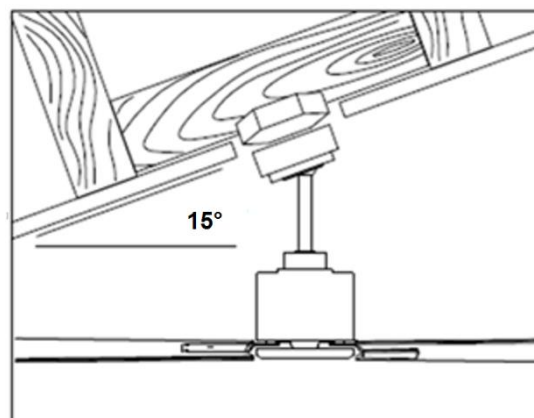


Fig. 3



## VENTILATOR OPHANGEN

Til de ventilator op de montagebeugel. Zorg ervoor dat de registratie gleuf van hanger kogel overeen komt met de stop van montagebeugel om zo te voorkomen dat de ventilator draait tijdens gebruik. (Fig. 4)

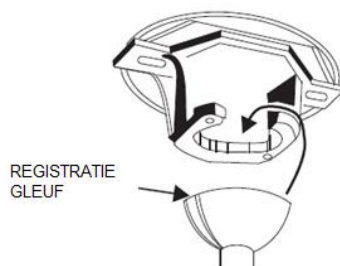


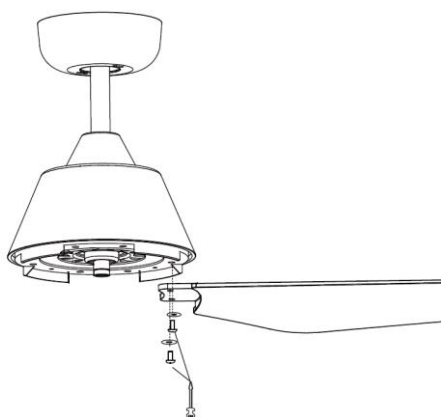
Fig. 4

## INSTALLATIE VAN DE BLADEN

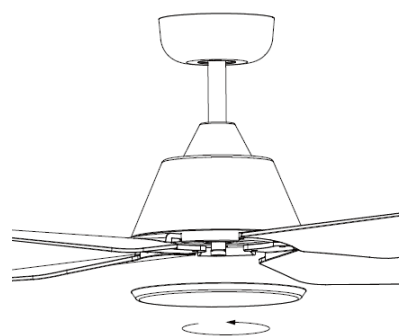
### De ventilatorbladen vastmaken

1. Voordat u de ventilator installeert, verwijder de motorschroeven en de vlakke sluitringen.
2. Zet het ventilatorblad vast op de beugel met behulp van de 2 schroeven en sluitringen. Zorg dat ze tegelijkertijd worden vastgedraaid. (Draai niet te vast aan om schade aan het ventilatorblad te vermijden)

Eenmaal voltooid, doe hetzelfde voor de andere ventilatorbladen.



Afb. 5



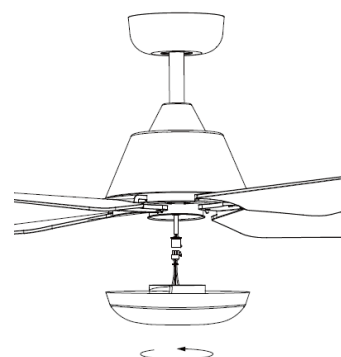
Afb. 6

### De onderste kap installeren (Voor ventilator zonder verlichting)

Maak de onderste kap vast aan de ventilator door het met de klok mee te draaien.

### De LED-lichtmodule installeren (Voor ventilator met verlichting)

Maak de LED-lichtmodule vast aan de onderkant van de lampenvoet en sluit de draden aan op de LED-lichtmodule via de snelkoppelingen. Maak de LED-lichtmodule vast op de lampenvoet door de behuizing van de LED-lichtmodule met de klok mee te draaien.



Afb. 7

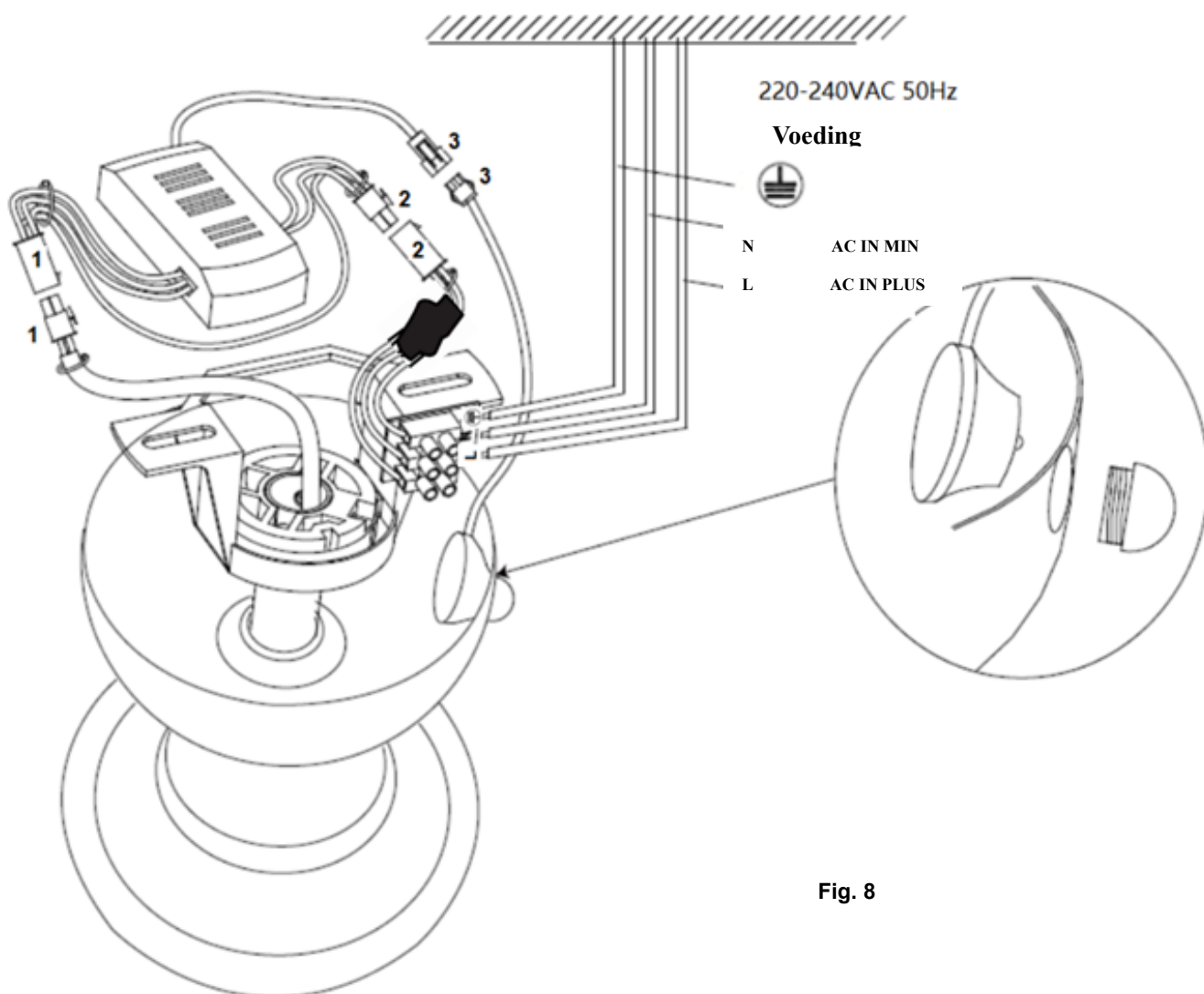


**ELEKTRISCHE BEDRADING**

**WAARSCHUWING:** VOOR UW VEILIGHEID, MOETEN ALLE ELEKTRISCHE AANSLUITINGEN MOETEN DOOR EEN GEKwalificeerde ELEKTRICIEN UITGEVOERD WORDEN..

**OPMERKING:** EEN EXTRA TWEEPOLIGE ONTKOPPLINGSSCHAKELAAR MOET OP DE VAST BEDRADING WORDEN TOEGEVOEGD.

- Sluit de "PLUS" voedingsdraad aan op de "L" van het aansluitpunt op de bevestigingsbeugel.
- Sluit de "MIN" voedingsdraad aan op de "N" van het aansluitpunt op de bevestigingsbeugel.
- Sluit de "AARDE" draad aan op de "⊕" van het aansluitpunt op de bevestigingsbeugel.
- Sluit de output connector (1) van de ontvanger aan op de connector (1) van het ventilatorhuis.
- Sluit de connector (2) van de ventilator bevestigingsbeugel aan op de input connector (2) van de ontvanger.
- Sluit de connector (3) van de infrarood detector aan op de input connector (3) van de ontvanger.



**Fig. 8**



This fan is suitable for indoor, alfresco and coastal areas where the fan is fully undercover with a minimum of 1 walls. This fan is not waterproof. When installed in an alfresco or coastal area, the ceiling fan must be positioned in a location protected from water, wind and dust. Exposure to these elements will void the warranty. Mounting the fan in a situation where it is subject to water or moisture is dangerous.

Power Supply	Voeding
L AC IN LIVE	L AC IN PLUS
N AC IN NEUTRAL	N AC IN MIN

### DE INSTALLATIE AFRONDEN

- Sluit de plafondventilator-bedrading aan via de snelaansluitingsplug na voltooiing van de elektrische aansluiting bij het montagebeugel-aansluitblok.
- Bedek de montagebeugel met de overkapping. Zorg ervoor dat alle elektrische bedrading onder de overkapping gestopt is en dat ze niet beschadigd raken tijdens deze stap. Bevestig de overkapping aan de hangbeugel met de bijgesloten schroeven. Fig. 10.

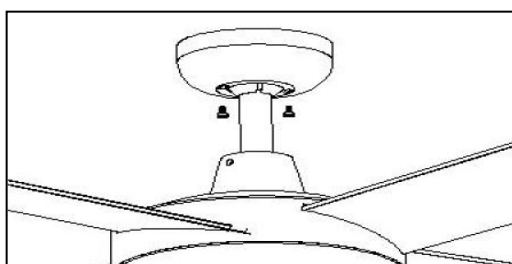


Fig. 10

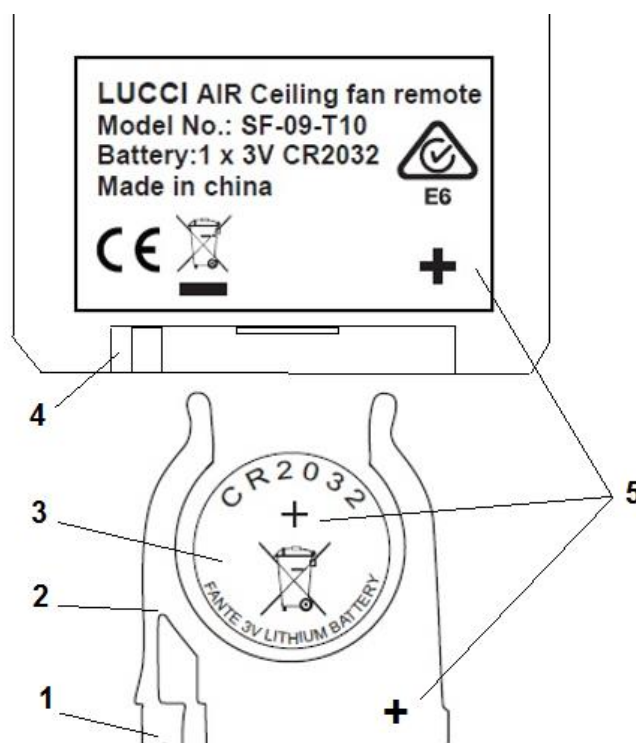
### DE VENTILATOR GEBRUIKEN

#### AFSTANDSBEDIENING

Uw plafondventilator wordt bediend met de afstandsbediening. Voordat u de afstandsbediening gebruikt, moet u het volgende weten.

- U heeft 1 x CR2032 3V batterij nodig om de afstandsbediening te gebruiken. Trek de batterijhouder (2) uit door de knop (1) van de batterijhouder in te drukken. Plaats de batterij (3) in de houder en plaats de houder terug in de afstandsbediening (4) en let daarbij op het "+" symbool (5). Controleer of de polariteit juist is, zoals weergegeven op het batterijhouderslot.

Fig. 10



**BEDIENING VAN DE AFSTANDSBEDIENING:**

Voordat u de afstandsbediening gebruikt, kunt u het beste dit hoofdstuk lezen en vertrouwd te raken met de knoppen en de functie van elke toets (Afb. 11).

1. **IR- ZENDER**

2. **HI-** knop: Druk op deze knop om de ventilator met Hoog toerental te laten draaien.

3. **MED-** knop: Druk op deze knop om de ventilator met Medium toerental te laten draaien.

4. **LOW-** knop: Druk op deze knop om de ventilator met Laag toerental te laten draaien.

5. **OFF-** knop: Druk op deze knop om de ventilator te Stoppen.

6 / 7 / 8. **1 u / 3 u / 6 u** ventilator timer knop: Druk op deze knop om de ventilator timer functie te activeren, dan zal de ventilator na 1 uur / 3 uur / 6 uur uitschakelen.

12. **LIGHT-** knop: Druk op deze knop om het licht AAN/ UIT te zetten.

Het led-licht is voorzien van een dimfunctie in 3 stappen die door een AAN/UIT-schakelaar bediend kan worden.

Als het led-licht AAN is en op 100% helderheid, drukt u op de lichtknop ‚AAN en dan UIT binnen 5 seconden‘ om het led-licht te dimmen. Herhaal op de ON en vervolgens de OFF knop te drukken binnen 5 seconden om verder te dimmen: 100% helderheid → 60% helderheid → 10% helderheid → 100% helderheid.

Om op elk moment naar 100% helderheid terug te gaan, schakel de lamp UIT, wacht 5 seconden en schakel de lamp weer AAN. Nu is hij weer op 100% helderheid.

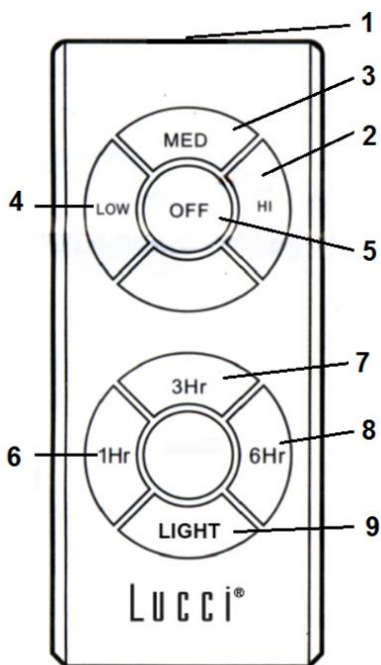


Fig. 11

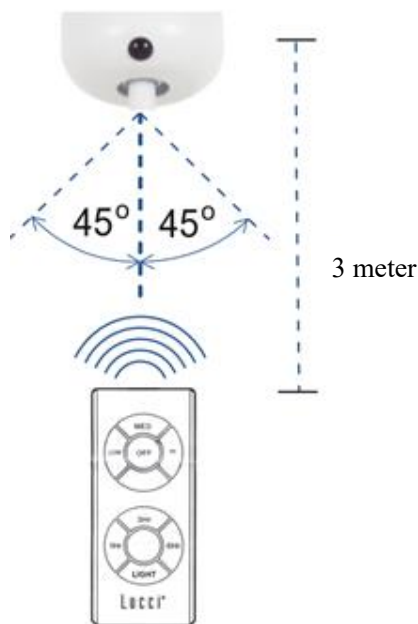


Fig. 12



This fan is suitable for indoor, alfresco and coastal areas where the fan is fully undercover with a minimum of 1 walls. This fan is not waterproof. When installed in an alfresco or coastal area, the ceiling fan must be positioned in a location protected from water, wind and dust. Exposure to these elements will void the warranty. Mounting the fan in a situation where it is subject to water or moisture is dangerous.



De afstandsbediening heeft een geheugenfunctie. Indien de ventilator of het licht door de isolatieschakelaar wordt uitgeschakeld, zal hij de laatste status opslaan en herstellen wanneer hij weer wordt ingeschakeld.

**Effectieve afstand/locatie voor de IR afstandsbediening (Afb. 12)**

Links van de middenlijn: Circa 45 graden

Rechts van de middenlijn: Circa 45 graden

Afstand vanaf de afstandsbediening naar de ontvanger: Max 5 meter.

**OMKEERFUNCTIE**

De ventilator kan zowel voorwaarts als ook achterwaarts worden toegepast.

**ZOMER**-toepassing: Wanneer de schakelaar voor de omkeerfunctie op “down” (ZOMER) staat, draait de ventilator tegen de klok in. De luchtbeweging wordt naar beneden gericht en zorgt in de zomer voor het gewenste koelende effect.

**WINTER**-toepassing: Wanneer de schakelaar voor de omkeerfunctie op “up” (WINTER) staat, draait de ventilator met de klok mee. De lucht wordt naar boven geleid om in de winter energie te besparen.

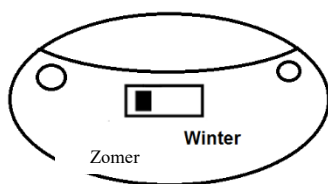
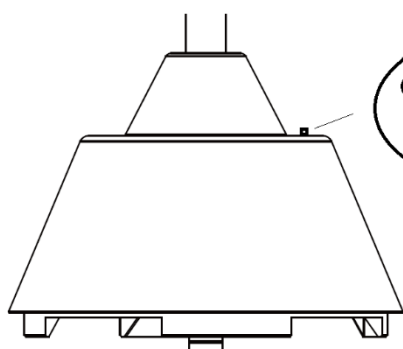
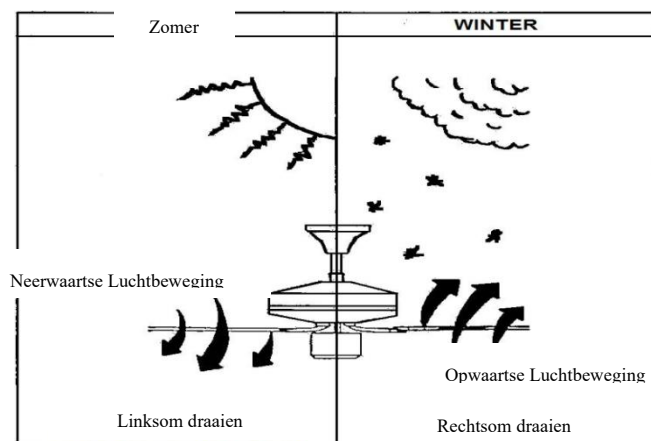


Fig. 13



Reverse Switch	Draairichtingschakelaar
Winter	Winter
Summer	Zomer
Down Draft	Neerwaartse Luchtbeweging
Updraft	Opwaartse Luchtbeweging
Counter clockwise Rotation	Linksom draaien
Clockwise Rotation	Rechtsom draaien



This fan is suitable for indoor, alfresco and coastal areas where the fan is fully undercover with a minimum of 1 walls. This fan is not waterproof. When installed in an alfresco or coastal area, the ceiling fan must be positioned in a location protected from water, wind and dust. Exposure to these elements will void the warranty. Mounting the fan in a situation where it is subject to water or moisture is dangerous.

**NA DE INSTALLATIE****SLINGEREN:**

OPMERKING: VENTILATORS BEWEGEN TIJDENS HET FUNCTIONEREN AANGEZIEN ZE BEVESTIGD ZIJN AAN EEN RUBBEREN RING. ALS DE VENTILATOR TE STRAK AAN HET PLAFOND BEVESTIGD IS, KAN DIT OVERMATIG TRILLEN VEROORZAKEN. ENKELE CENTIMETERS BEWEGINGSRUIMTE IS ZEER ACCEPTABEL EN ZAL GEEN PROBLEMEN VEROORZAKEN.

**SLINGEREN VAN DE VENTILATOR VERMINDEREN:** CONTROLEER DAT ALLE SCHROEVEN IN DE HOUDER EN DE STAAF GOED VASTZITTEN.

OPMERKING: Deze ventilator is in de fabriek gekalibreerd en hoeft niet opnieuw gekalibreerd worden.

**LAWAAI:**

Als het zeer rustig is (met name 's nachts) kan men af en toe kleine geluiden waarnemen. Het lawaai dat de ventilatormotor maakt kan meer of minder zijn, afhankelijk van frequentiesignalen, schommelingen in stroomtoevoer. Dit is normaal. De eerste 24 uur kan de ventilator meer lawaai maken maar deze geluiden verdwijnen als de ventilator wat langer in gebruik is. De fabrieksgarantie dekt gebreken maar GEEN klachten zoals het horen van de functionerende motor – Alle elektrische motoren maken geluid.

**ONDERHOUD EN SCHOONMAAK:**

- Periodieke schoonmaak van de ventilator is het enige vereiste onderhoud. Gebruik een zachte borstel of een stofvrije doek om krassen op de verflaag te voorkomen. Zet de stroom uit voor het schoonmaken.
- Gebruik geen water voor het reinigen van de ventilator. Water kan de motor en de schoepen beschadigen en elektrische schok veroorzaken.
- De motor heeft een permanent geoliede kogellager. De kogellager hoeft niet geolied te worden.

OPMERKING: Zet altijd de stroom uit met de hoofdschakelaar voor u de ventilator reinigt.



This fan is suitable for indoor, alfresco and coastal areas where the fan is fully undercover with a minimum of 1 walls. This fan is not waterproof. When installed in an alfresco or coastal area, the ceiling fan must be positioned in a location protected from water, wind and dust. Exposure to these elements will void the warranty. Mounting the fan in a situation where it is subject to water or moisture is dangerous.

### TECHNISCHE INFORMATIE

Ventilatormodellen	48" ventilator met verlichting	48" ventilator zonder verlichting	52" ventilator met verlichting	52" ventilator zonder verlichting
Nominale spanning	220-240 V~ 50Hz			
Nominaal vermogen (motor)	50W			
Nominaal vermogen (lamp)	led, 18W, 1100lm, 3000K, dimmen in 3 stappen	N.v.t.	led, 18W, 1100lm, 3000K, dimmen in 3 stappen	N.v.t.
Lichtbron	Dit product bevat een lichtbron van energie-efficiëntieklasse < E >	N.v.t.	Dit product bevat een lichtbron van energie-efficiëntieklasse < E >	N.v.t.
Gewicht	5,5 kg	4,9 kg	5,6 kg	5,0 kg
Afmetingen van de afdekking	h: 50 mm    dia: 136			

### GARANTIE

**IN AUSTRALIE / NIEUW ZEELAND** – Zie aparte GARANTIEVERKLARING.

**IN EUROPA** – Als u een Europese klant bent, neem contact op met het verkooppunt waar u de ventilator aangeschaft hebt betreffende de garantie.




This fan is suitable for indoor, alfresco and coastal areas where the fan is fully undercover with a minimum of 1 walls. This fan is not waterproof. When installed in an alfresco or coastal area, the ceiling fan must be positioned in a location protected from water, wind and dust. Exposure to these elements will void the warranty. Mounting the fan in a situation where it is subject to water or moisture is dangerous.

**EL**
**ΕΥΧΑΡΙΣΤΟΥΜΕ ΓΙΑ ΤΗΝ ΑΓΟΡΑ ΣΑΣ**

Ευχαριστούμε που αγοράσατε αυτό το προϊόν υψηλής ποιότητας της Lucci. Για να διασφαλιστεί ότι το προϊόν θα λειτουργεί σωστά και με ασφάλεια, διαβάστε και φυλάξτε όλες τις οδηγίες πριν το χρησιμοποιήσετε.

**ΠΡΟΦΥΛΑΞΕΙΣ ΑΣΦΑΛΕΙΑΣ**

1. Στην Ευρώπη: Αυτή η συσκευή μπορεί να χρησιμοποιηθεί από παιδιά ηλικίας 8 χρονών και πάνω και από άτομα με περιορισμένες σωματικές, αισθητηριακές ή διανοητικές ικανότητες, ή από άτομα με ελλιπή εμπειρία και γνώσεις, εφόσον επιβλέπονται ή έχουν λάβει οδηγίες για την ασφαλή χρήση της συσκευής και κατανοούν τους εμπλεκόμενους κινδύνους. Οι εργασίες καθαρισμού και συντήρησης δεν πρέπει να πραγματοποιούνται από παιδιά χωρίς επίβλεψη.
2. Στην Αυστραλία: Η συσκευή δεν προορίζεται για χρήση από άτομα (συμπεριλαμβανομένων των παιδιών) με περιορισμένες σωματικές, αισθητηριακές ή διανοητικές ικανότητες, ούτε από άτομα που δεν έχουν την αναγκαία εμπειρία ή τις απαραίτητες γνώσεις, εκτός εάν βρίσκονται υπό την επίβλεψη ή έχουν λάβει οδηγίες για τη χρήση της συσκευής από άτομο υπεύθυνο για την ασφάλειά τους.
3. Τα παιδιά πρέπει να επιβλέπονται ώστε να εξασφαλιστεί ότι δεν παίζουν με τη συσκευή.
4. Η σταθερή καλωδίωση θα πρέπει να περιλαμβάνει διακόπτη απομόνωσης όλων των αγωγών ρεύματος (φάσεις και ουδέτερο) σύμφωνα τους τοπικούς ηλεκτρολογικούς κανονισμούς.
5.  Οι ηλεκτρικές συσκευές δεν πρέπει να απορρίπτονται ως σύμμεικτα αστικά απορρίμματα. Χρησιμοποιήστε ξεχωριστές εγκαταστάσεις συλλογής απορριμμάτων. Απευθυνθείτε στις τοπικές αρχές για πληροφορίες σχετικά με τα διαθέσιμα συστήματα συλλογής. Αν τα απόβλητα ηλεκτρικών συσκευών απορρίπτονται σε χωματερές, υπάρχει κίνδυνος να διαρρεύσουν επικίνδυνες ουσίες στα υπόγεια ύδατα και να περάσουν στην τροφική αλυσίδα, με κίνδυνο για την υγεία σας.
6. Η κατασκευή πάνω στην οποία θα στερεωθεί ο ανεμιστήρας θα πρέπει να μπορεί να υποστηρίξει βάρος 30 κιλών.
7. Ο ανεμιστήρας θα πρέπει να τοποθετηθεί με τέτοιο τρόπο, ώστε οι λεπίδες να βρίσκονται τουλάχιστον 2,3 μέτρα πάνω από το δάπεδο στην Ευρώπη ή τουλάχιστον 2,1 μέτρα πάνω από το δάπεδο στην Αυστραλία.
8. Αυτός ο ανεμιστήρας μπορεί να εγκατασταθεί σε εσωτερικό και σε εξωτερικό χώρο, καθώς και σε παράκτιες περιοχές, εφόσον ο ανεμιστήρας καλύπτεται πλήρως από τουλάχιστον 2 τοίχους. Αυτός ο ανεμιστήρας δεν είναι αδιάβροχος. Αν εγκατασταθεί σε εξωτερικό χώρο ή σε παράκτια περιοχή, θα



πρέπει να είναι προστατευμένος από το νερό, τον αέρα και τη σκόνη. Αν εκτίθεται σε αυτά τα στοιχεία, η εγγύηση ακυρώνεται. Η εγκατάσταση του ανεμιστήρα σε χώρο εκτεθειμένο σε νερό ή υγρασία είναι επικίνδυνη.

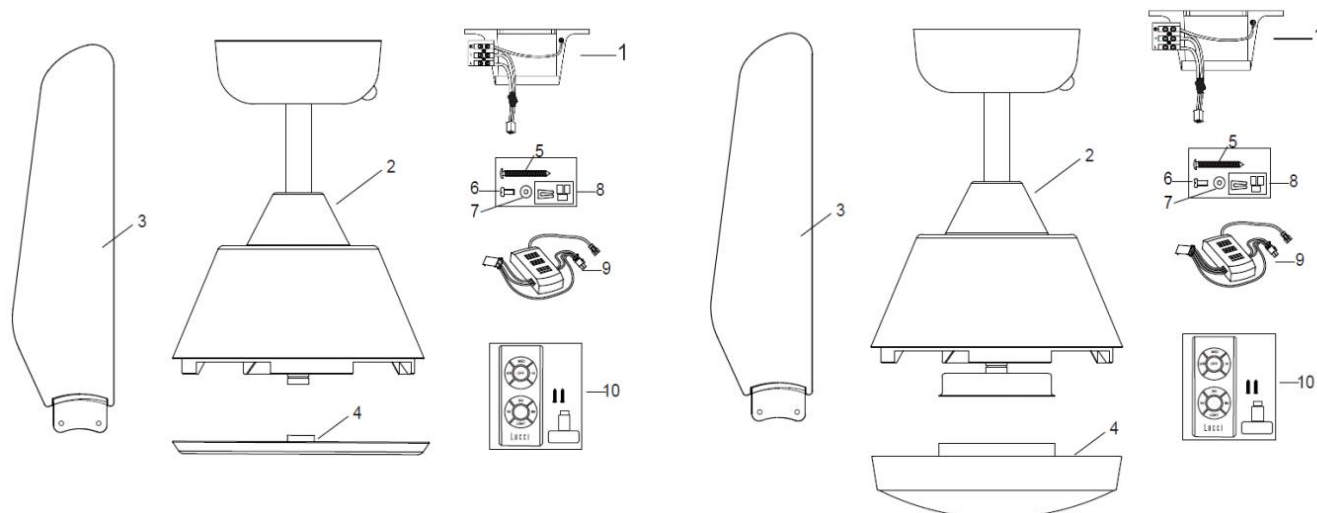
9. Η εγκατάσταση πρέπει να πραγματοποιείται μόνο από πιστοποιημένο ηλεκτρολόγο.
10. ΠΡΟΕΙΔΟΠΟΙΗΣΗ: Εάν παρατηρήσετε ότι ο ανεμιστήρας οροφής τραντάζεται ή ταλαντεύεται περίεργα, σταματήστε αμέσως να χρησιμοποιείτε τον ανεμιστήρα και επικοινωνήστε με τον κατασκευαστή, τον αντιπρόσωπο σέρβις του κατασκευαστή ή κατάλληλο επαγγελματία.
11. Η αντικατάσταση των εξαρτημάτων του συστήματος ανάρτησης ασφαλείας πρέπει να πραγματοποιείται από τον κατασκευαστή, τον αντιπρόσωπο σέρβις του κατασκευαστή ή κατάλληλο επαγγελματία.
12. Τα εξαρτήματα προσάρτησης στην οροφή, όπως είναι τα άγκιστρα ή άλλες διατάξεις, πρέπει να στερεώνονται κατάλληλα, έτσι ώστε να αντέχουν 4 φορές το βάρος του ανεμιστήρα οροφής. Το σύστημα ανάρτησης θα πρέπει να τοποθετηθεί από τον κατασκευαστή, τον αντιπρόσωπο σέρβις του κατασκευαστή ή κατάλληλο επαγγελματία.



This fan is suitable for indoor, alfresco and coastal areas where the fan is fully undercover with a minimum of 1 walls. This fan is not waterproof. When installed in an alfresco or coastal area, the ceiling fan must be positioned in a location protected from water, wind and dust. Exposure to these elements will void the warranty. Mounting the fan in a situation where it is subject to water or moisture is dangerous.

## ΠΡΙΝ ΑΠΟ ΤΗΝ ΕΓΚΑΤΑΣΤΑΣΗ

Αφαιρέστε προσεκτικά τον ανεμιστήρα από τη συσκευασία. Αφαιρέστε όλα τα εξαρτήματα και τα υλικά. Ελέγξτε όλα τα εξαρτήματα. Η συσκευασία θα πρέπει να περιλαμβάνει τα ακόλουθα:



Εικ. 1

### Ανεμιστήρας χωρίς φωτιστικό

- 1 Στοιχείο στερέωσης x 1
- 2 Προσυναρμολογημένο μοτέρ ανεμιστήρα, κάθετη ράβδος και πλαφονιέρα x 1
- 3 Πτερύγια x 4
- 4 Κάτω κάλυμμα x 1
- 5 Βίδα για στοιχείο στερέωσης x 2
- 6 Βίδες μοτέρ για πτερύγια x 9
- 7 Επίπεδη ροδέλα για πτερύγια x 9
- 8 Σετ ζυγοστάθμισης x 1 σετ
- 9 Δέκτης τηλεχειρισμού x 1
- 10 Τηλεχειριστήριο x 1 σετ

### Ανεμιστήρας με φωτιστικό

- 1 Στοιχείο στερέωσης x 1
- 2 Προσυναρμολογημένο μοτέρ ανεμιστήρα, κάθετη ράβδος και πλαφονιέρα x 1
- 3 Πτερύγια x 4
- 4 Κάτω κάλυμμα x 1
- 5 Βίδα για στοιχείο στερέωσης x 2
- 6 Βίδες μοτέρ για πτερύγια x 9
- 7 Επίπεδη ροδέλα για πτερύγια x 9
- 8 Σετ ζυγοστάθμισης x 1 σετ
- 9 Δέκτης τηλεχειρισμού x 1
- 10 Τηλεχειριστήριο x 1 σετ



### ΤΟΠΟΘΕΤΗΣΗ ΤΟΥ ΣΤΟΙΧΕΙΟΥ ΣΤΕΡΕΩΣΗΣ

- Ο ανεμιστήρας οροφής θα πρέπει να εγκατασταθεί έτσι ώστε να υπάρχει απόσταση 300 mm από την άκρη των πτερυγίων μέχρι το πλησιέστερο αντικείμενο ή τον πλησιέστερο τοίχο.
- Στερεώστε το στοιχείο ανάρτησης σε δοκάρι της οροφής ή άλλη κατασκευή που μπορεί να σηκώσει βάρος τουλάχιστον 30 κιλών, με τις δύο μακριές βίδες που παρέχονται. Βεβαιωθείτε ότι τουλάχιστον 30 mm της βίδας έχουν βιδωθεί στην κατασκευή ανάρτησης.

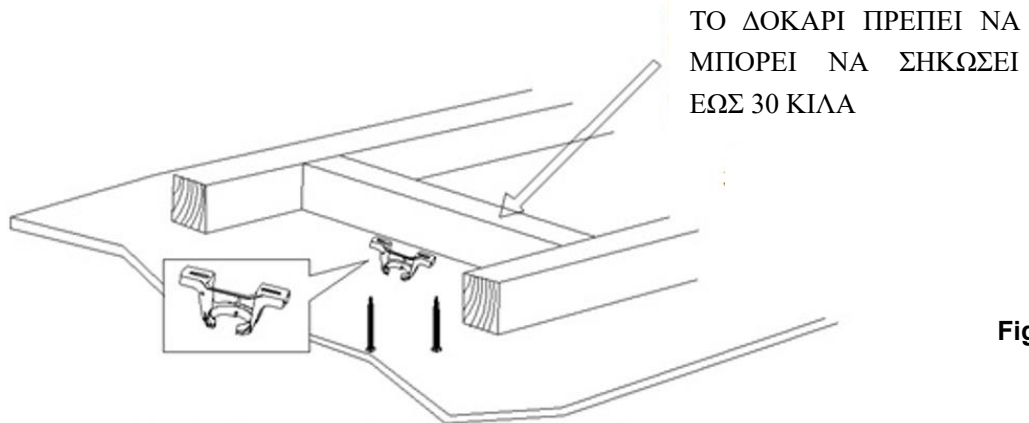


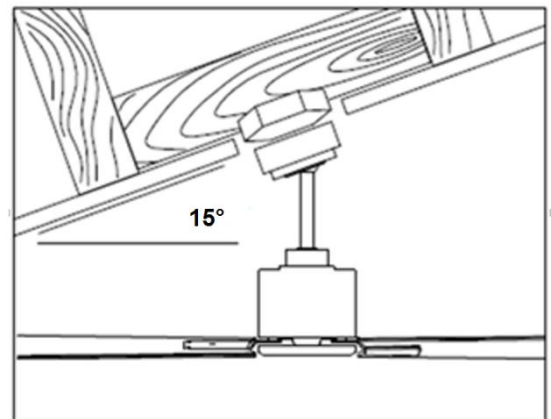
Fig. 2

ΣΗΜΕΙΩΣΗ: ΑΥΤΗ Η ΕΙΚΟΝΑ ΕΙΝΑΙ ΜΟΝΟ ΕΝΔΕΙΚΤΙΚΗ ΚΑΙ ΔΕΝ ΑΠΕΙΚΟΝΙΖΕΙ ΤΟ ΠΡΑΓΜΑΤΙΚΟ ΔΟΚΑΡΙ.

ΣΗΜΕΙΩΣΗ: Οι βίδες στερέωσης που παρέχονται προορίζονται μόνο για ξύλινες κατασκευές. Για κατασκευές από άλλο υλικό, εκτός ξύλου, θα ΠΡΕΠΕΙ να χρησιμοποιηθεί ο κατάλληλος τύπος βίδας.

### Εγκατάσταση στην οροφή υπό γωνία

Αυτό το σύστημα ανάρτησης του ανεμιστήρα επιτρέπει την εγκατάσταση του ανεμιστήρα στην οροφή υπό γωνία 15 μοιρών το μέγιστο.



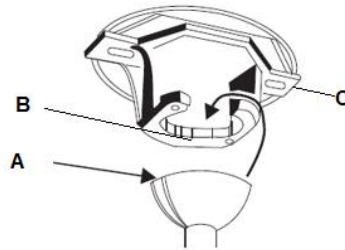
Εικ. 3

### ΑΝΑΡΤΗΣΗ ΤΟΥ ΑΝΕΜΙΣΤΗΡΑ

Κρεμάστε το συγκρότημα του ανεμιστήρα στο στοιχείο στερέωσης. Βεβαιωθείτε ότι η εγκοπή (A) στην



πλαφονιέρα είναι ευθυγραμμισμένη με το στοιχείο ανάσχεσης (B) στο στοιχείο στερέωσης (C), ώστε να μην περιστρέφεται ο ανεμιστήρας κατά τη λειτουργία του. (Εικ. 4)



Εικ. 4

## ΕΓΚΑΤΑΣΤΑΣΗ ΤΟΥ ΑΝΕΜΙΣΤΗΡΑ

### Σύνδεση των πτερυγίων

1. Πριν εγκαταστήσετε τα πτερύγια, αφαιρέστε τις βίδες από το μοτέρ και τις επίπεδες ροδέλες.
2. Στερεώστε το πτερύγιο στο μοτέρ με τις 2 βίδες και τις ροδέλες, φροντίζοντας να σφίξετε βίδες και ροδέλες ταυτόχρονα. (Προσέξτε να μην τα σφίξετε υπερβολικά, γιατί μπορεί να υποστούν ζημιά τα πτερύγια.) Αφού τελειώσετε, επαναλάβετε τη διαδικασία για τα υπόλοιπα πτερύγια.

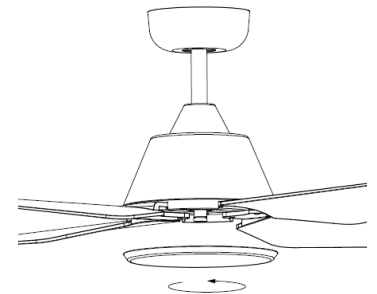


Εικ. 5

### Τοποθέτηση του κάτω καλύμματος (για τον ανεμιστήρα χωρίς φωτιστικό)

Στερεώστε το κάτω κάλυμμα στον ανεμιστήρα, περιστρέφοντάς το δεξιόστροφα.

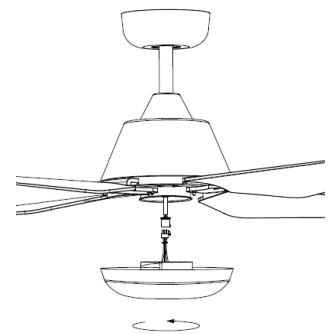
Εικ. 6



### Τοποθέτηση του σετ φωτιστικού LED (για τον ανεμιστήρα με φωτιστικό)

Συνδέστε το σετ φωτιστικού LED στη βάση για το φωτιστικό και συνδέστε τα καλώδια του φωτιστικού LED μέσω των ταχυσυνδέσμων. Ασφαλίστε το φωτιστικό LED στη βάση για το φωτιστικό, περιστρέφοντάς το σώμα του φωτιστικού LED δεξιόστροφα.

Εικ. 7






**ΗΛΕΚΤΡΟΛΟΓΙΚΟ ΔΙΑΓΡΑΜΜΑ**

**ΠΡΟΕΙΔΟΠΟΙΗΣΗ:** ΓΙΑ ΤΗΝ ΑΣΦΑΛΕΙΑ ΣΑΣ, ΟΛΕΣ ΟΙ ΗΛΕΚΤΡΙΚΕΣ ΣΥΝΔΕΣΕΙΣ ΠΡΕΠΕΙ ΝΑ ΠΡΑΓΜΑΤΟΠΟΙΗΘΟΥΝ ΑΠΟ ΠΙΣΤΟΠΟΙΗΜΕΝΟ ΗΛΕΚΤΡΟΛΟΓΟ.

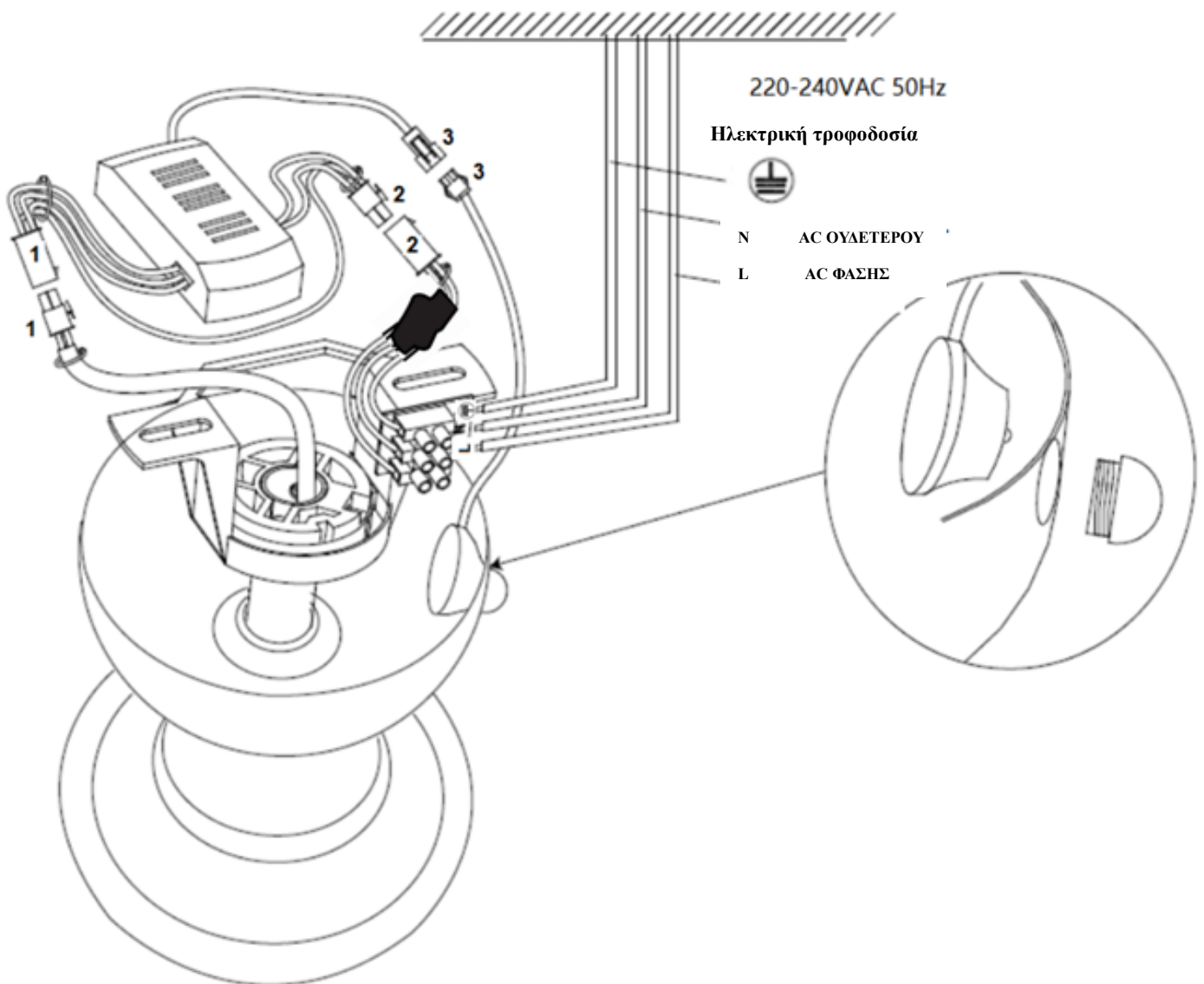
**ΣΗΜΕΙΩΣΗ:** Η ΣΤΑΘΕΡΗ ΚΑΛΩΔΙΩΣΗ ΘΑ ΠΡΕΠΕΙ ΝΑ ΠΕΡΙΛΑΜΒΑΝΕΙ ΣΥΜΠΛΗΡΩΜΑΤΙΚΟ ΔΙΑΚΟΠΤΗ ΑΠΟΜΟΝΩΣΗΣ ΟΛΩΝ ΤΩΝ ΑΓΩΓΩΝ ΡΕΥΜΑΤΟΣ (ΦΑΣΕΙΣ ΚΑΙ ΟΥΔΕΤΕΡΟ).

- Συνδέστε τον αγωγό «ΦΑΣΗΣ» στον ακροδέκτη «L» της κλέμμας του στοιχείου στερέωσης.
- Συνδέστε τον αγωγό «ΟΥΔΕΤΕΡΟΥ» στον ακροδέκτη «N» της κλέμμας του στοιχείου στερέωσης.
- Συνδέστε τον αγωγό «ΓΕΙΩΣΗΣ» στον ακροδέκτη «» της κλέμμας του στοιχείου στερέωσης.
- Συνδέστε το συνδετήρα εξόδου (1) από το δέκτη στο συνδετήρα (1) από το σώμα του ανεμιστήρα.
- Συνδέστε το συνδετήρα (2) από το στοιχείο στερέωσης του ανεμιστήρα στο συνδετήρα εισόδου (2) από το δέκτη.
- Συνδέστε το συνδετήρα (3) από τον ανιχνευτή υπερύθρων στο συνδετήρα εισόδου (3) από το δέκτη.

Εικ. 8



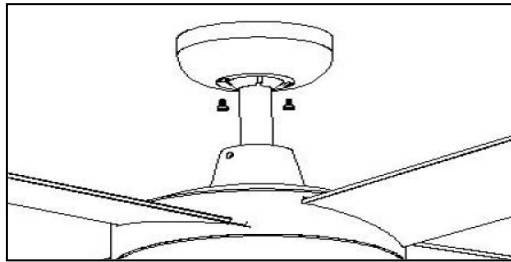
This fan is suitable for indoor, alfresco and coastal areas where the fan is fully undercover with a minimum of 1 walls. This fan is not waterproof. When installed in an alfresco or coastal area, the ceiling fan must be positioned in a location protected from water, wind and dust. Exposure to these elements will void the warranty. Mounting the fan in a situation where it is subject to water or moisture is dangerous.



### ΟΛΟΚΛΗΡΩΣΗ ΤΗΣ ΕΓΚΑΤΑΣΤΑΣΗΣ

- Αφού ολοκληρώσετε τις ηλεκτρικές συνδέσεις στις κλέμμες του στοιχείου στερέωσης, συνδέστε την καλωδίωση του ανεμιστήρα οροφής μέσω του ταχυσυνδέσμου.
- Καλύψτε το στοιχείο στερέωσης με την πλαφονιέρα. Βεβαιωθείτε ότι έχετε κρύψει όλα τα καλώδια μέσα στην πλαφονιέρα και προσέξτε να μην προκαλέσετε ζημιά σε κανένα καλώδιο σε αυτό το βήμα. Στερεώστε την πλαφονιέρα στο στοιχείο ανάρτησης με τις βίδες που παρέχονται.





Εικ. 9

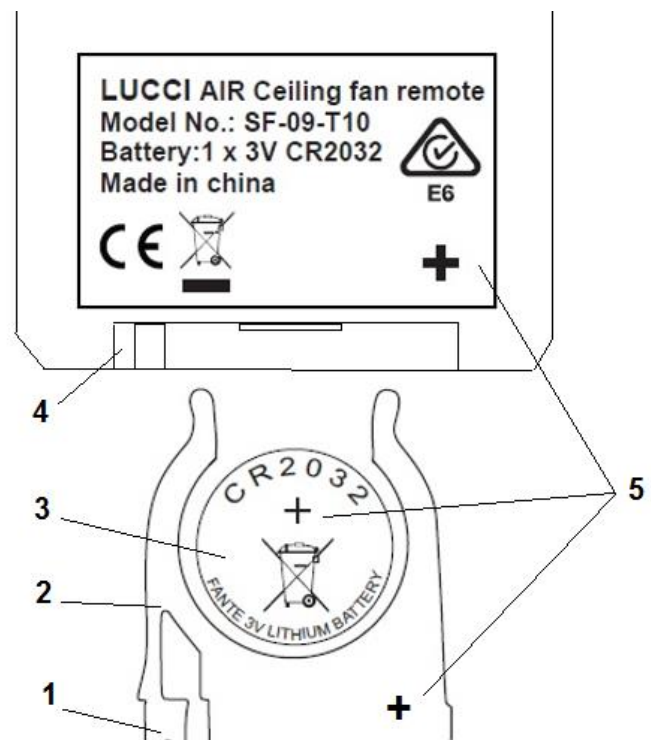
## ΧΡΗΣΗ ΤΟΥ ΑΝΕΜΙΣΤΗΡΑ ΟΡΟΦΗΣ

### ΤΗΛΕΧΕΙΡΙΣΤΗΡΙΟ

Αυτός ο ανεμιστήρας οροφής ελέγχεται από το τηλεχειριστήριο. Πριν χρησιμοποιήσετε το τηλεχειριστήριο, έχετε υπ' όψιν τα ακόλουθα.

- Για να λειτουργήσει το τηλεχειριστήριο, απαιτείται 1 x μπαταρία CR2032 3V. Αφαιρέστε το δίσκο της μπαταρίας (2), πιέζοντας το άγκιστρο (1) στο δίσκο της μπαταρίας. Τοποθετήστε την μπαταρία (3) στο δίσκο και τοποθετήστε το δίσκο ξανά στο μέσα στο τηλεχειριστήριο (4) με το σύμβολο πολικότητας «+» προς την ίδια πλευρά (5). Βεβαιωθείτε ότι οι πόλοι της μπαταρίας έχουν το σωστό προσανατολισμό, όπως υποδεικνύεται στη θήκη της μπαταρίας.

Εικ. 10



## ΛΕΙΤΟΥΡΓΙΑ ΤΟΥ ΤΗΛΕΧΕΙΡΙΣΤΗΡΙΟΥ:

Πριν αρχίσετε να χρησιμοποιείτε το τηλεχειριστήριο, διαβάστε αυτή την ενότητα και εξοικειωθείτε με τα κουμπιά και με τις λειτουργίες κάθε κουμπιού. (Εικ. 11)

### 1. ΔΕΚΤΗΣ ΥΠΕΡΥΘΡΩΝ

2. Κουμπί **HI**: Πατήστε αυτό το κουμπί για περιστροφή του ανεμιστήρα με υψηλή ταχύτητα.
3. Κουμπί **MED**: Πατήστε αυτό το κουμπί για περιστροφή του ανεμιστήρα με μεσαία ταχύτητα.
4. Κουμπί **LOW**: Πατήστε αυτό το κουμπί για περιστροφή του ανεμιστήρα με χαμηλή ταχύτητα.
5. Κουμπί **OFF**: Πατήστε αυτό το κουμπί για να σταματήσετε τον ανεμιστήρα.

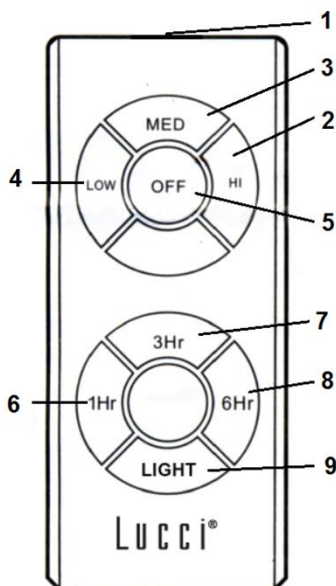
6 / 7 / 8. Κουμπί χρονοδιακόπτη ανεμιστήρα **1Hr / 3 Hr / 6Hr**: Πατήστε το κουμπί για να ενεργοποιήσετε το χρονοδιακόπτη του ανεμιστήρα. Ο ανεμιστήρας θα σταματήσει μετά από 1 ώρα / 3 ώρες / 6 ώρες λειτουργίας.

9. Κουμπί **LIGHT**: Πατήστε αυτό το κουμπί για να ανάψετε ή να σβήσετε το φως.

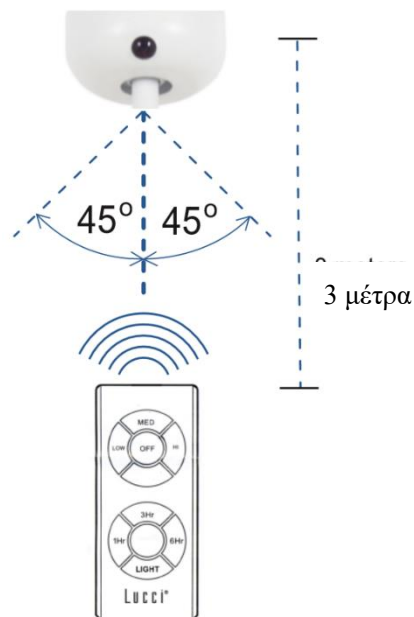
Το φωτιστικό LED περιλαμβάνει λειτουργία ροοστάτη 3 διαβαθμίσεων, που ελέγχεται από διακόπτη ON/OFF.

Όταν το φωτιστικό LED είναι αναμμένο στο 100% της φωτεινότητας, αναβοσβήστε το κουμπί για το φως (LIGHT) μέσα σε 5 δευτερόλεπτα, για να χαμηλώσετε τον φωτισμό LED. Αν συνεχίσετε να ανάβετε και να σβήνετε το φως μέσα σε 5 δευτερόλεπτα, το φως θα χαμηλώνει περισσότερο, με την εξής ακολουθία: 100% φωτεινότητα → 60% φωτεινότητα → 10% φωτεινότητα → 100% φωτεινότητα.

Για να επιστρέψετε σε 100% φωτεινότητα οποιαδήποτε στιγμή, σβήστε το φωτιστικό, περιμένετε 5 δευτερόλεπτα και μετά ανάψτε το φωτιστικό. Θα επανέλθει σε 100% φωτεινότητα.



Εικ. 11



Εικ. 12



Το τηλεχειριστήριο διαθέτει λειτουργία μνήμης. Αν σβήσετε τον ανεμιστήρα ή το φως από το διακόπτη απομόνωσης, το σύστημα θα απομνημονεύσει και θα επαναφέρει την τελευταία κατάσταση της συσκευής όταν θα ενεργοποιηθεί εκ νέου.

### Απαιτούμενη απόσταση/θέση για το τηλεχειριστήριο υπερύθρων (Εικ. 12)

Αριστερά από κεντρική γραμμή: Περίπου 45 μοίρες

Δεξιά από κεντρική γραμμή: Περίπου 45 μοίρες

Απόσταση από τηλεχειριστήριο έως δέκτη: 5 μέτρα το μέγιστο.

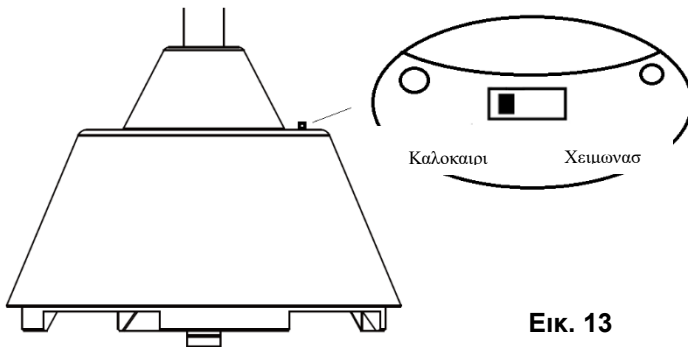
## REVERSING SWITCH

### ΔΙΑΚΟΠΤΗΣ ΑΝΑΣΤΡΟΦΗΣ

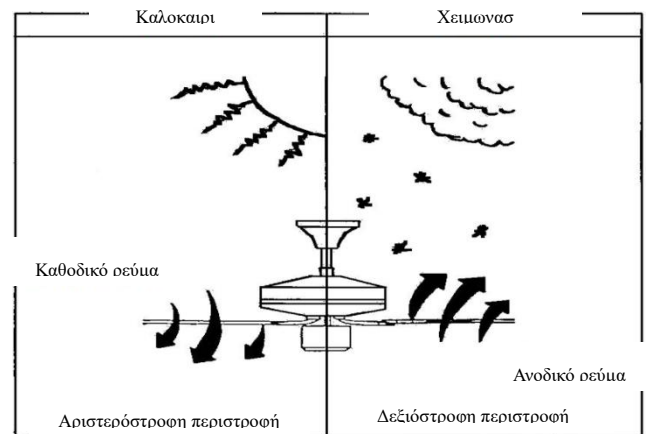
Ο ανεμιστήρας περιλαμβάνει χειμερινή και θερινή λειτουργία.

**ΘΕΡΙΝΗ λειτουργία:** Ο διακόπτης αναστροφής θα βρίσκεται στην «κάτω» θέση (ΚΑΛΟΚΑΙΡΙ), ώστε ο ανεμιστήρας να λειτουργεί αριστερόστροφα. Η ροή του αέρα θα κατευθύνεται προς τα κάτω για ψύξη το καλοκαίρι.

**ΧΕΙΜΕΡΙΝΗ λειτουργία:** Ο διακόπτης αναστροφής θα βρίσκεται στην «πάνω» θέση (ΧΕΙΜΩΝΑΣ), ώστε ο ανεμιστήρας να λειτουργεί δεξιόστροφα. Η ροή του αέρα θα κατευθύνεται προς τα πάνω, υποβοηθώντας την κυκλοφορία του θερμού αέρα, για εξοικονόμηση ενέργειας το χειμώνα.



Εικ. 13



**ΜΕΤΑ ΤΗΝ ΕΓΚΑΤΑΣΤΑΣΗ****ΚΛΥΔΩΝΙΣΜΟΣ:**

**ΣΗΜΕΙΩΣΗ:** οι ανεμιστήρες οροφής ταλαντεύονται κατά τη λειτουργία επειδή είναι στερεωμένοι πάνω σε ελαστικές ροδέλες. Αν ο ανεμιστήρας ήταν στερεωμένος σε άκαμπτα στοιχεία στην οροφή, θα προκαλούνταν υπερβολικοί κραδασμοί. Η ταλάντευση κατά λίγα εκατοστά είναι αποδεκτή και ΔΕΝ συνιστά πρόβλημα.

**ΓΙΑ ΝΑ ΠΕΡΙΟΡΙΣΕΤΕ ΤΗΝ ΤΑΛΑΝΤΕΥΣΗ ΤΟΥ ΑΝΕΜΙΣΤΗΡΑ:** Βεβαιωθείτε ότι όλες οι βίδες που συγκρατούν το στοιχείο στερέωσης και την κάθετη ράβδο είναι σφιγμένες καλά.

**ΣΕΤ ΖΥΓΟΣΤΑΘΜΙΣΗΣ:** Παρέχεται ένα σετ για τη ζυγοστάθμιση του ανεμιστήρα οροφής κατά την αρχική εγκατάσταση. Ανατρέξτε στις οδηγίες για να μάθετε πώς μπορείτε να χρησιμοποιήσετε το σετ ζυγοστάθμισης. Μπορείτε να χρησιμοποιήσετε το σετ ζυγοστάθμισης για να ρυθμίσετε ξανά τον ανεμιστήρα αν αρχίσει πάλι να ταλαντεύεται. Μετά την εγκατάσταση, φυλάξτε το κιτ ζυγοστάθμισης για μελλοντική χρήση.

**ΘΟΡΥΒΟΣ:**

Όταν επικρατεί ησυχία (ιδιαίτερα τη νύχτα), μπορεί να ακούτε σποραδικά μικρούς ήχους. Μικρές διακυμάνσεις στην ένταση του ρεύματος και παρεμβολές σημάτων συχνότητας στο ηλεκτρικό κύκλωμα μπορεί να προκαλέσουν μεταβολές στο θόρυβο του μοτέρ του ανεμιστήρα. Αυτό είναι φυσιολογικό. Περιμένετε ένα 24ωρο μετά την αρχική εγκατάσταση. Οι περισσότεροι θόρυβοι που σχετίζονται με την αρχική λειτουργία του ανεμιστήρα σταματούν μετά από αυτό το διάστημα.

Η εγγύηση του κατασκευαστή καλύπτει πραγματικά σφάλματα που μπορεί να παρουσιαστούν και ΟΧΙ παράπονα ή σσωνος σημασίας όπως ο ήχος λειτουργίας του μοτέρ – όλοι οι ηλεκτρικοί κινητήρες εκπέμπουν κάποιο θόρυβο.

**ΦΡΟΝΤΙΔΑ ΚΑΙ ΚΑΘΑΡΙΣΜΟΣ:**

- Η μόνη συντήρηση που απαιτεί ο ανεμιστήρας οροφής είναι ο περιοδικός καθαρισμός. Χρησιμοποιήστε μια μαλακή βούρτσα ή ένα πανί που δεν αφήνει χνούδι για να μη χαράξετε τη βαφή. Κλείνετε το διακόπτη ηλεκτρικής τροφοδοσίας κατά τον καθαρισμό.
- Μη χρησιμοποιείτε νερό για να καθαρίσετε τον ανεμιστήρα οροφής. Μπορεί να προκαλέσει ζημιά στο μοτέρ ή στα πτερύγια και αυξάνει τον κίνδυνο ηλεκτροπληξίας.
- Το μοτέρ περιλαμβάνει σφαιρικό έδρανο μόνιμης λίπανσης, οπότε δεν απαιτεί λίπανση.

**ΣΗΜΕΙΩΣΗ:** Κλείνετε πάντα τον κεντρικό ηλεκτρικό διακόπτη πριν επιχειρήσετε να καθαρίσετε τον ανεμιστήρα.



### ΤΕΧΝΙΚΕΣ ΠΛΗΡΟΦΟΡΙΕΣ

Μοντέλα ανεμιστήρα	Ανεμιστήρας 48" με φωτιστικό	Ανεμιστήρας 48" μόνο	Ανεμιστήρας 52" με φωτιστικό	Ανεμιστήρας 52" μόνο
Ονομαστική τάση	220-240V~ 50Hz			
Ονομαστική ισχύς (μοτέρ)	50W			
Ονομαστική ισχύς (λαμπτήρας)	LED, 18W, 1100lm, 3000K, ροοστάτης 3 διαβαθμίσεων	Δ/Υ	LED, 18W, 1100lm, 3000K, ροοστάτης 3 διαβαθμίσεων	Δ/Υ
Πηγή φωτός	Αυτό το προϊόν περιέχει πηγή φωτός κατηγορίας ενεργειακής απόδοσης < E >.	Δ/Υ	Αυτό το προϊόν περιέχει πηγή φωτός κατηγορίας ενεργειακής απόδοσης < E >.	Δ/Υ
Βάρος	5,5kg	4,9kg	5,6kg	5,0kg
Διαστάσεις πλαφονιέρας	Υ:50mm Διάμ.:136			

### ΠΛΗΡΟΦΟΡΙΕΣ ΓΙΑ ΤΗΝ ΕΓΓΥΗΣΗ

**ΣΤΗΝ ΑΥΣΤΡΑΛΙΑ / ΝΕΑ ΖΗΛΑΝΔΙΑ** – Ανατρέξτε στην ξεχωριστή ΔΗΛΩΣΗ ΕΓΓΥΗΣΗΣ.

**ΣΤΗΝ ΕΥΡΩΠΗ** – Αν είστε πελάτης από την Ευρώπη, απευθυνθείτε στο κατάστημα λιανικής απ' όπου αγοράσατε τον ανεμιστήρα για σέρβις στο πλαίσιο της εγγύησης.



This fan is suitable for indoor, alfresco and coastal areas where the fan is fully undercover with a minimum of 1 walls. This fan is not waterproof. When installed in an alfresco or coastal area, the ceiling fan must be positioned in a location protected from water, wind and dust. Exposure to these elements will void the warranty. Mounting the fan in a situation where it is subject to water or moisture is dangerous.