

KODAK PIXPRO AZ528

DIGITAL CAMERA

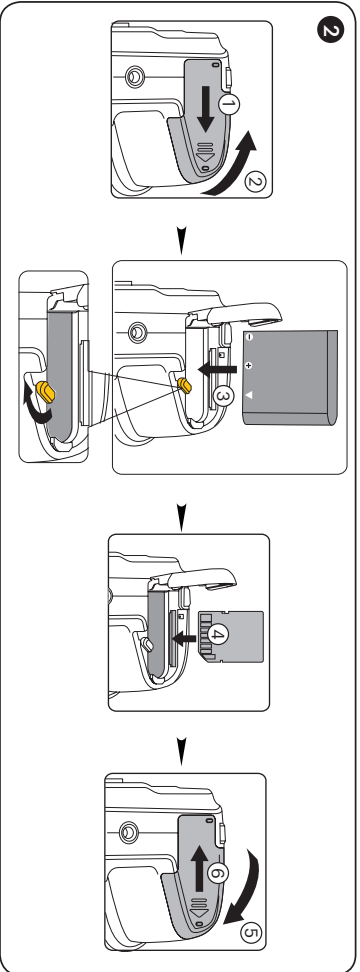
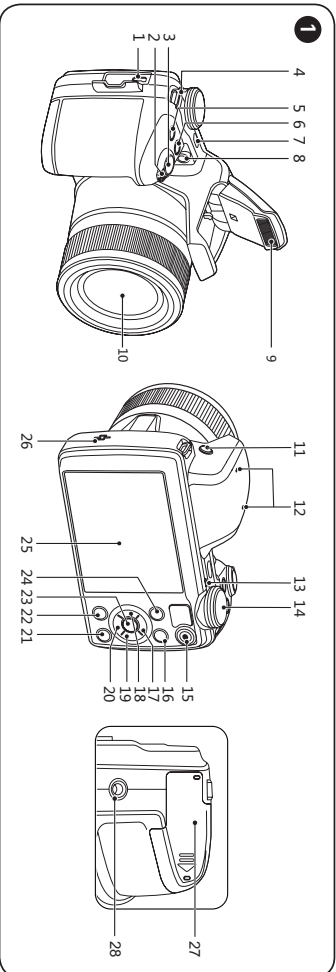


Quick Start Guide
 Guide de démarrage rapide
 Guia de início rápido
 Guia de inicialização rápida
 Schnellstartanleitung
 Қысқарғе пұқырағарбо
 Užembje heįvezęsį įdėmėtato
 Guida avvio veloce
 Коротка інструкція

The Kodak® trademark, logo and trade dress are used under license from Eastman Kodak Company.
 La marque de commerce Kodak, logo et son apparence sont utilisés sous licence Eastman Kodak Company.
 La marca, el logotipo y la imagen comercial Kodak son usadas bajo licencia de Compañía Eastman Kodak.
 A marca, logotipo e a imagem comercial Kodak são usadas sob licença da Eastman Kodak Company.
 Die Kodak, das Logo und die Kodak-Markenausstattung werden unter Lizenz von Eastman Kodak Company genutzt.
 Топишув знак Kodak, логотип и топишана явишана корпорацијора по лицензи користанива Eastman Kodak Company.
 A Kodak márkajelző, embléma és kereskedelmi jelzés használatára a Eastman Kodak Company engedélyvel történik.
 Il marchio Kodak, logo ed il trade dress Kodak sono usati sotto licenza di Eastman Kodak Company.
 Топрага марка Kodak, логотипта дпишанага црпиашига црпиашига енпишацијора са лицензи користанива Eastman Kodak Company.
 © 2019 JK Imaging Ltd. All Rights Reserved.
 JK Imaging Ltd., 17239 So. Main Street, Gardena, CA 90248 USA
 kodakpixpro.com


CH422090299-0


Printed in China



IMPORTANT MEMORY CARD INFORMATION:
 A standard SD memory card is not included in the camera packaging and needs to be purchased separately. This camera takes a standard (SD/SDHC/SDXC) memory card. We recommend using a name brand memory card that is Class 4 or higher and has a capacity of 1GB to 32GB. The camera is not compatible with Micro SD cards or adapters.

The Camera User Manual and the "PIXPRO Remote Viewer" User Manual are available at the website location below:
 Le Manuel d'utilisation de l'appareil Photo et le Manuel d'utilisation de l'Appareil Photo "PIXPRO Remote Viewer" sont disponibles dans le site internet suivant:
 El manual de usuario de la cámara y el manual del usuario de "PIXPRO Remote Viewer" se encuentran disponibles en el siguiente sitio web:
 Das Benutzerhandbuch der Kamera und Benutzerhandbuch "PIXPRO Remote Viewer" sind auf der folgenden Website verfügbar:
 El manual de usuario de la cámara y el manual del usuario de "PIXPRO Remote Viewer" están disponibles en el siguiente sitio web:
 Das Benutzerhandbuch der Kamera und Benutzerhandbuch "PIXPRO Remote Viewer" sind auf der folgenden Website verfügbar:
 Pыководство по эксплуатации камеры и Pыководство по эксплуатации "PIXPRO Remote Viewer" доступны на веб-сайте:
 A kamera felhasználói kézikönyve és a "PIXPRO Remote Viewer" felhasználói kézikönyve az alábbi weboldalon található.
 Il manuale dell'utente della fotocamera e il manuale dell'utente "PIXPRO Remote Viewer" sono disponibili al sito web riportato sotto:
 Інструкція по експлуатації "PIXPRO Remote Viewer" доступна за адресою на веб-сайті наведених нижче:

Americas  <http://kodakpixpro.com/Americas/support/downloads.php>

Europe  <http://kodakpixpro.com/Europe/support/downloads.php>

1 Camera Views

1	Micro USB Port	15	Fast Video Recording Button
2	Zoom Lever	16	Menu Button
3	Shutter Button	17	AF Button/Up Button
4	Strap Eject	18	Macro Button/Left Button
5	Exposure Compensation Button	19	Flash Button/Right Button
6	Continuous Shot Button	20	Delete Button/Self-Timer Button/Down Button
7	Power Button	21	Display Button
8	AF Assist Beam/Self-Timer Lamp	22	Playback Button
9	Flash Lamp	23	SET Button
10	Lens	24	i Button
11	Flash Button	25	LCD
12	Microphones	26	Speaker
13	Indicator Lamp	27	Battery Cover Door
14	Mode Dial	28	Tripod Socket (1/4" Standard)

2 Inserting Battery and Memory Card

1. Open the battery cover door as shown in step ① and ②.
2. Insert the battery into the battery compartment.
3. Insert the standard SD memory card into the slot.
4. Close the battery compartment door as shown in step ③ and ④.

3 Setting the Language/Date/Time

1. Press the power button to turn the camera on and the language menu will appear. Use the up/down/left/right buttons to select desired language and press the **OK** button to confirm the desired language.
2. Use the up/down/left/right buttons again to set the date and time, press the **OK** button to confirm.

4 Focusing and Taking a Great Photo

1. Hold the camera securely and for long zoom photos, we recommend using a tripod for best results.
2. Turn the zoom lever to select the Tele or Wide position to zoom in or out on your subject.
3. Press the shutter button down half-way to allow the camera to focus on your subject.
4. When the frame around your subject turns green and the image in the LCD is focused to your liking, continue to press the shutter button down completely to take the photo.

5 Using the Mode Dial

This camera provides a convenient mode dial that allows you to manually select between different camera settings with ease. Available modes are listed below.

	Auto Mode		Face Beautifier
	Program AE		Wi-Fi® Mode
	Shutter Priority		Scene Mode
	Aperture Priority		Movie Mode
	Manual Mode		Custom Settings

6 Using the Fast Video Recording Button

In shooting mode, press the **Fast Video** button to begin recording a video. After recording, press the **Fast Video** button again to stop recording; the camera will store the video on the SD card and will then return to the shooting screen.

7 Using the Menu Button

In each mode (except for the Wi-Fi mode), press the **Menu** button to access the "Easy Menu." Press the **AF** [**▲**] [**▼**] [**▶**] [**◀**] buttons to move between options, then press the **OK** button to make a selection. Choosing the **Full** within this list will provide access to the "Full Menu":

	Shooting Mode		Playback Mode
	General Settings		General Settings
	Connection Settings		Connection Settings
	File Settings		File Settings
	Wi-Fi® Settings		Wi-Fi® Settings

8 Wi-Fi® Connection

This camera can be connected to your smart device through the FREE "PIXPRO Remote Viewer" App. APP is available for iOS™ and ANDROID™.