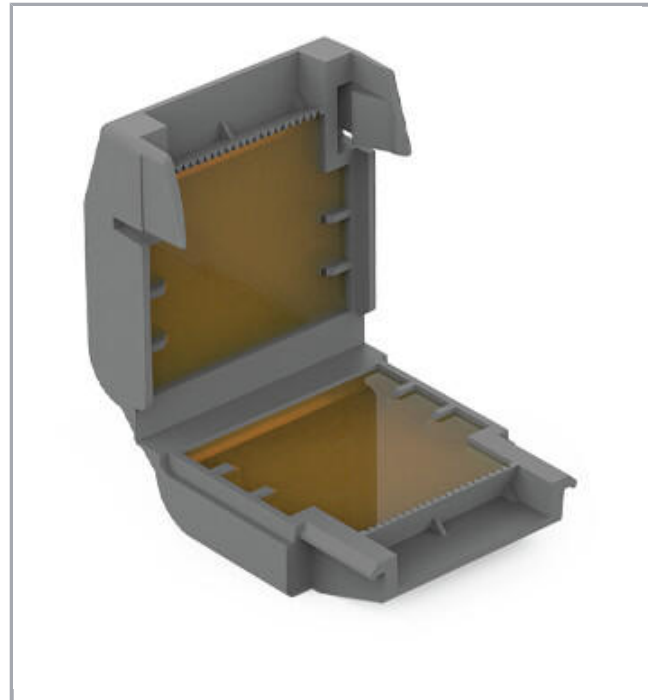


Data sheet | Item number: 207-1331

Gelbox; for cables; Branch; with gel; 221, 2273 Series; without splicing connectors; Size 1; gray

www.wago.com/207-1331



Data

Connection data

Actuation type

Verrastung

Geometrical Data

Width 33,6 mm / 1.323 inch

Height 17,8 mm / 0.701 inch

Depth 32 mm / 1.26 inch

Mechanical data

Mounting type Fliegende Verbindung

Protection type IPx8 (2m/2h) gemäß 60529

Subject to changes. Please also observe the further product documentation!

WAGO Kontakttechnik GmbH & Co. KG
Hansastr. 27
32423 Minden
Phone: +49571 887-0 | Fax: +49571 887-169
Email: info.de@wago.com | Web: www.wago.com

Do you have any questions about our products?
We are always happy to take your call at +49 (571) 887-44222.

Material Data

Color	gray
Housing material	Polypropylen
Weight	12.7 g

Environmental Requirements

Surrounding air temperature (operation)	85 ... 85 °C
Surrounding air temperature (storage)	85 ... 85 °C
Continuous operating temperature	105 ... 105 °C

Commercial data

Packaging type	BOX
Country of origin	IT
GTIN	4055143997799
Customs tariff number	85389099990

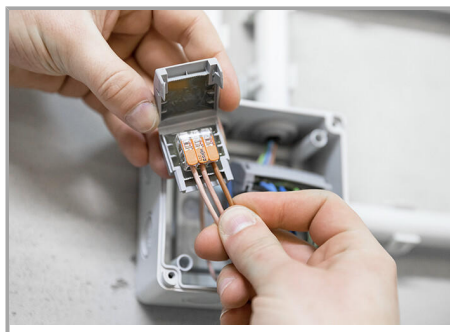
Counterpart

Handling Instructions

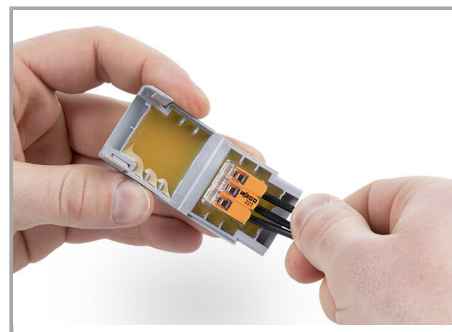
Installation



Gelbox öffnen.

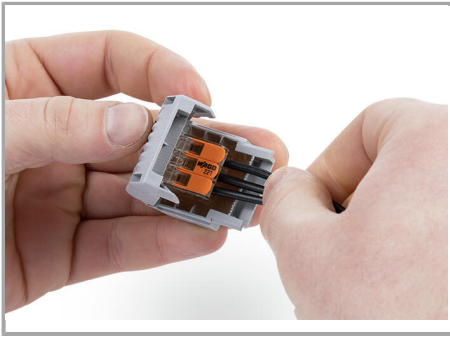


Verdrahtete Klemme in die Gelbox einlegen.

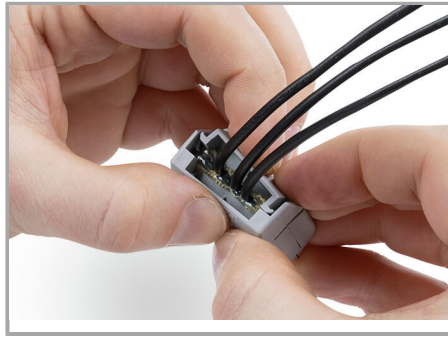


Verdrahtete Klemme in die Gelbox einlegen.

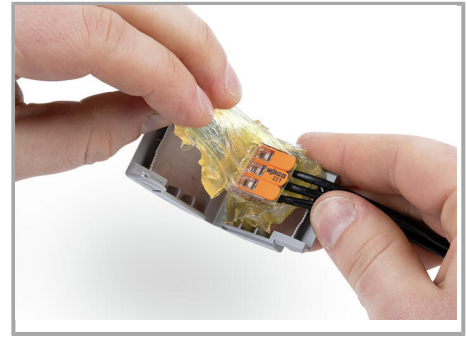
Subject to changes. Please also observe the further product documentation!



Gelbox schließen.



Verrastung sicher verschließen.



Wiederzugänglich:

- Gelbox öffnen
- Gel entfernen
- umverdrahten mit neuen Komponenten

Subject to changes. Please also observe the further product documentation!