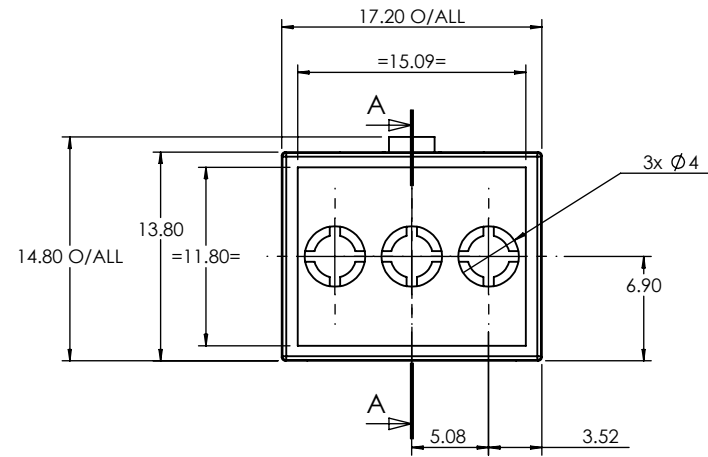
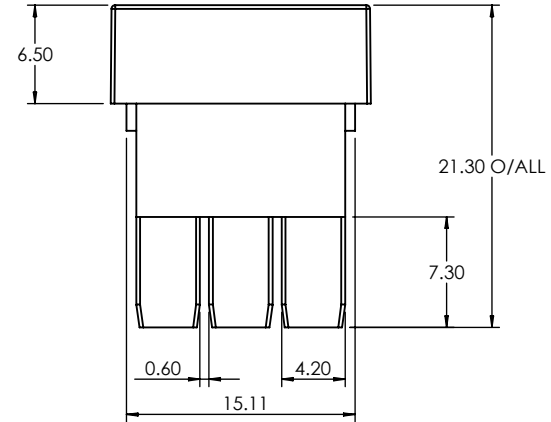
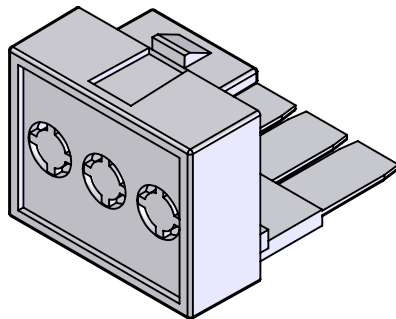




SECTION A-A



ISO VIEW
2:1



 CAMDENBOSS JAMES CARTER RD, MILDENHALL, SUFFOLK. IP28 7DE TEL: 01638 716101 FAX: 01638 716554 EMAIL: Sales@CamdenBoss.com WEB: www.CamdenBoss.com		UNLESS OTHERWISE SPECIFIED: DIMENSIONS ARE IN MILLIMETERS	DO NOT SCALE DRAWING	REVISION: ○
		GENERAL TOLERANCES +/- 0.2	TITLE: DIMENSION DRAWING FOR CNMB-1-TG508P	
		FINISH: LIGHT SPARK	DWG NO. CNMB-1-TG508P	
DRAWN	NAME	SIGNED	DATE	MATERIAL: PC UL - 94 V0
CHKD	-	-	-	SCALE: 2:1
		PROJECTION: 	SHEET 1 OF 1	

A4