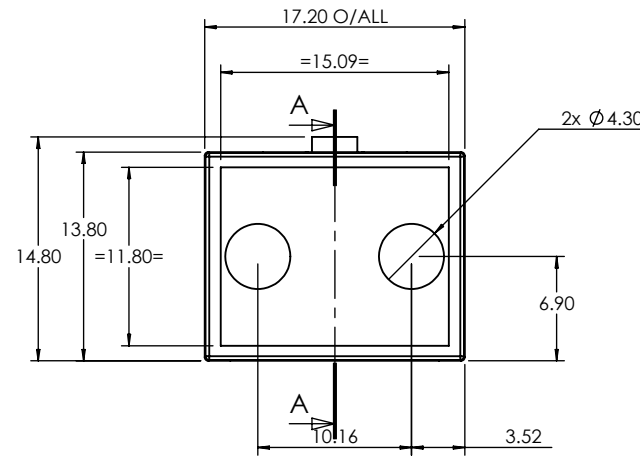
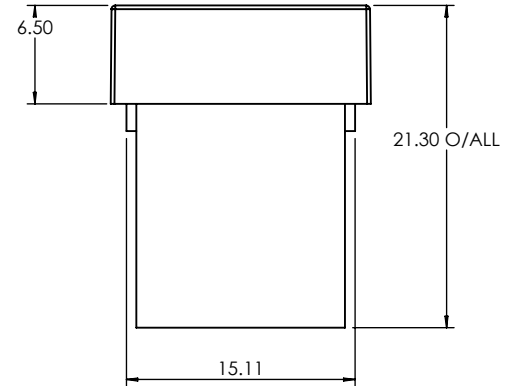
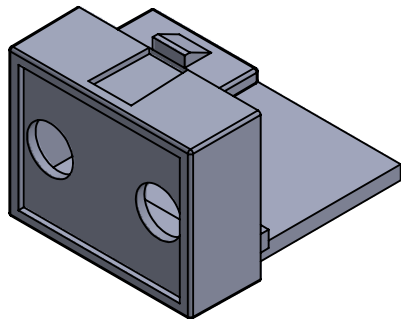




SECTION A-A



ISO VIEW
2:1



 CAMDENBOSS JAMES CARTER RD, MILDENHALL, SUFFOLK. IP28 7DE TEL: 01638 716101 FAX: 01638 716554 EMAIL: Sales@CamdenBoss.com WEB: www.CamdenBoss.com		UNLESS OTHERWISE SPECIFIED: DIMENSIONS ARE IN MILLIMETERS	DO NOT SCALE DRAWING	REVISION. <input type="radio"/>
		GENERAL TOLERANCES +/- 0.2	TITLE: DIMENSION DRAWING FOR CNMB-1-TG100	
		FINISH. LIGHT SPARK	DWG NO. CNMB-1-TG100	
DRAWN	NAME	SIGNED	DATE	MATERIAL. PC UL - 94 V0
CHKD	-	-	-	PROJECTION. 
				SCALE. 2:1
				SHEET 1 OF 1

A4