

1 2 3 4 5 6

A

A

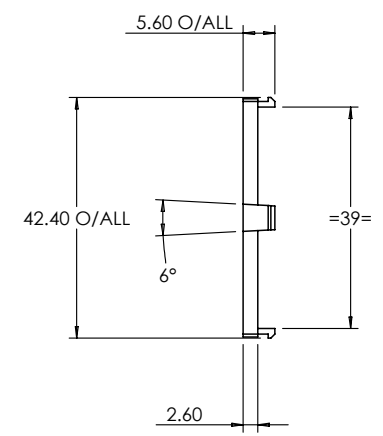
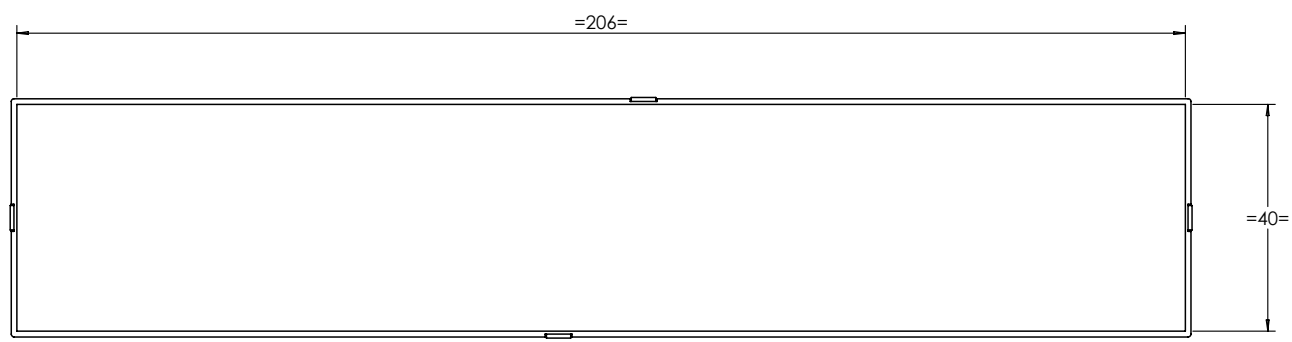
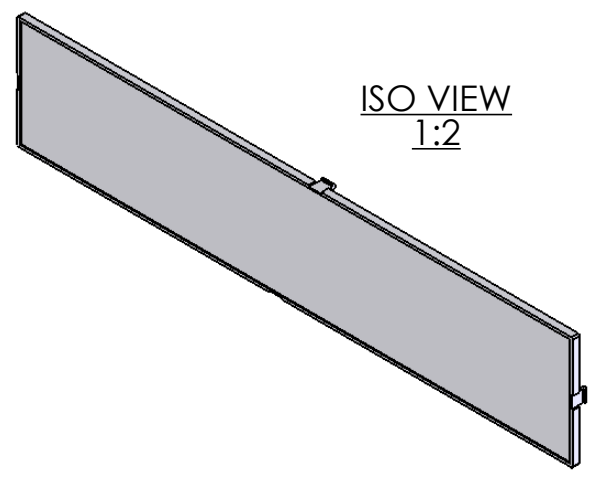
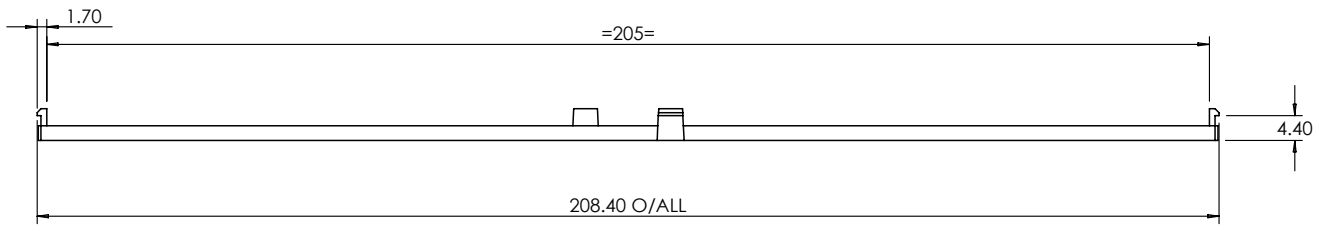
B

B

C

C

D



CAMDENBOSS

JAMES CARTER RD, MILDENHALL, SUFFOLK. IP28 7DE
 TEL: 01638 716101 FAX: 01638 716554
 EMAIL: Sales@CamdenBoss.com
 WEB: www.CamdenBoss.com

UNLESS OTHERWISE SPECIFIED:
 DIMENSIONS ARE IN MILLIMETERS

DO NOT SCALE DRAWING

REVISION. ○

GENERAL TOLERANCES +/- 0.2

TITLE:

**DIMENSION DRAWING FOR
 CNMB/12/PC**

FINISH. GLOSS

DWG NO.

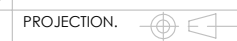
CNMB-12-PC

A4

	NAME	SIGNED	DATE
DRAWN	IAN PAGANO	I.P.	20/06/14
CHK'D	-	-	-

MATERIAL. PC UL 94 - HB

SCALE: 1:5



SHEET 1 OF 1

1 2 3