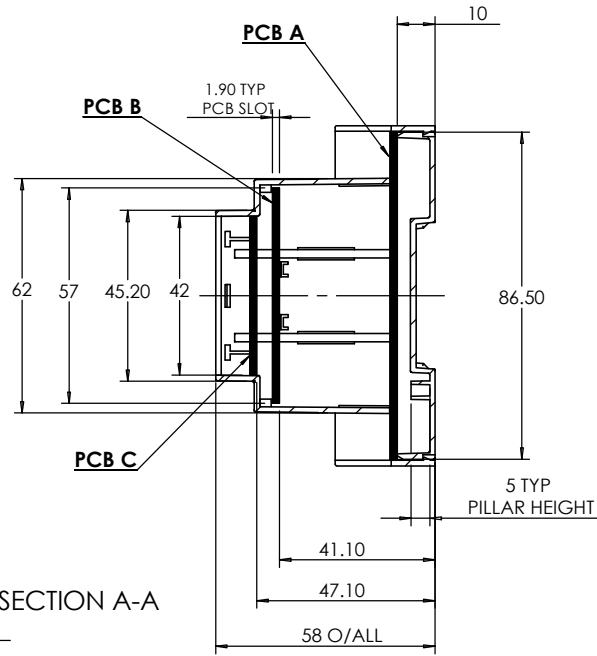
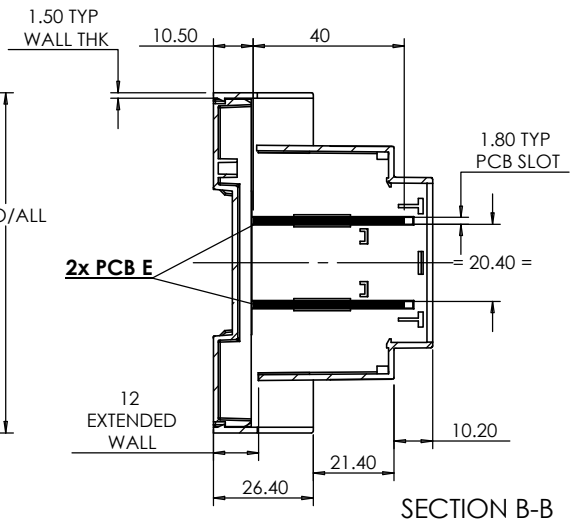
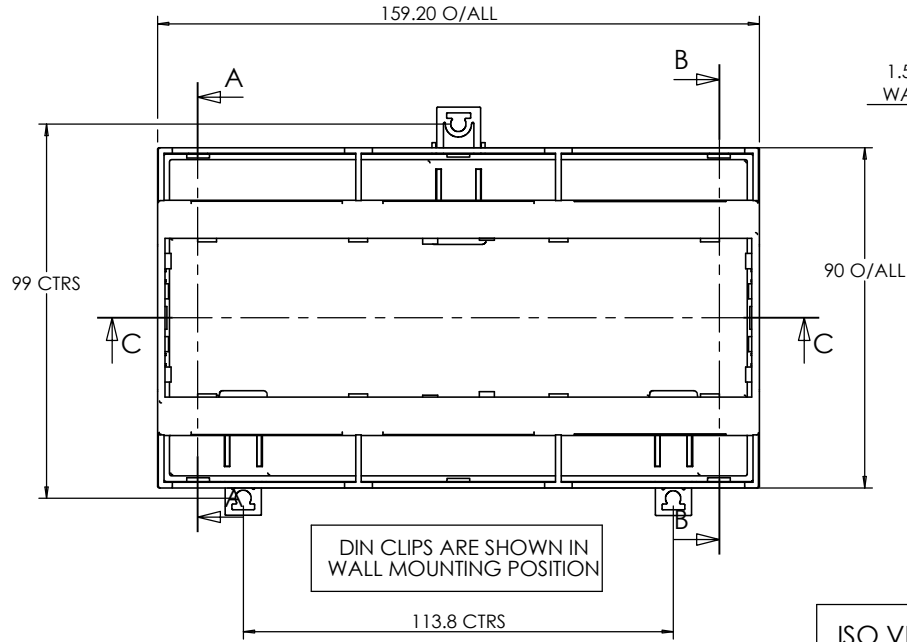


**ASSEMBLY**

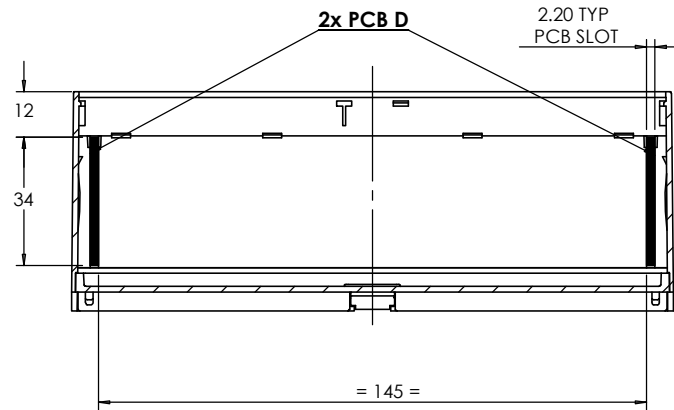
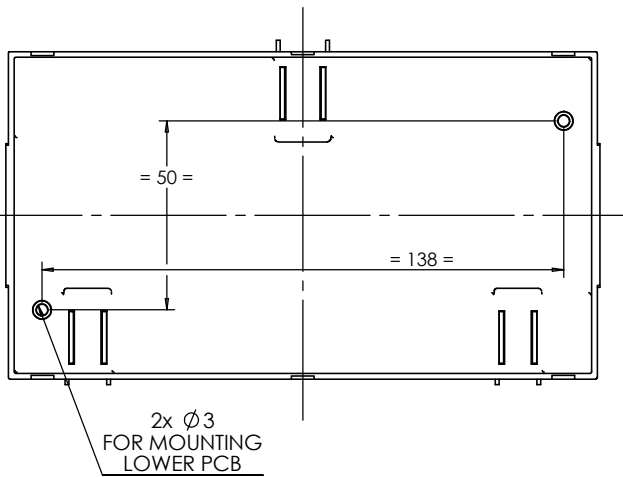


SECTION A-A



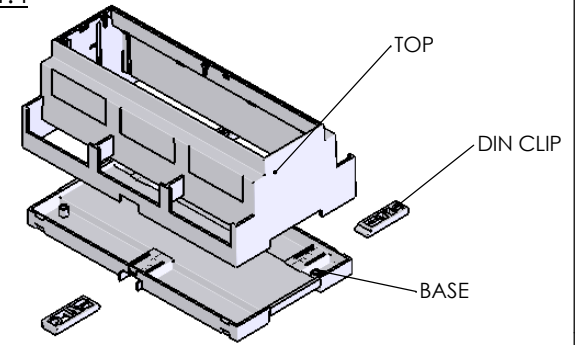
SECTION B-B

**BASE**



SECTION C-C

**ISO VIEW**  
1:4



PCB DIMENSIONS (mm)	
A	86.5 x 155
B	57 x 155.4
C	42 x 154
D	34 x 59.6
E	40 x 155

<p><b>CAMDENBOSS</b>                  JAMES CARTER RD, MILDENHALL, SUFFOLK. IP28 7DE                  TEL: 01638 716101 FAX: 01638 716554                  EMAIL: Sales@CamdenBoss.com                  WEB: www.CamdenBoss.com</p>				UNLESS OTHERWISE SPECIFIED: DIMENSIONS ARE IN MILLIMETERS		DO NOT SCALE DRAWING		REVISION. 0		
				FINISH. <b>SMOOTH</b>		TITLE: <b>GNL ASSY DRG FOR CNMB SERIES</b>				
DRAWN L. SUBKHANKULOVA		SIGNED LS		DATE 24/03/10		MATERIAL. <b>UV94-V0 PC</b>		DWG NO. <b>CNMB-9W-2</b>		A4
CHK'D STUART HARDINGE		SIGNED SJH		DATE 24/03/10		PROJECTION.		SCALE: 1 : 2		SHEET 1 OF 1