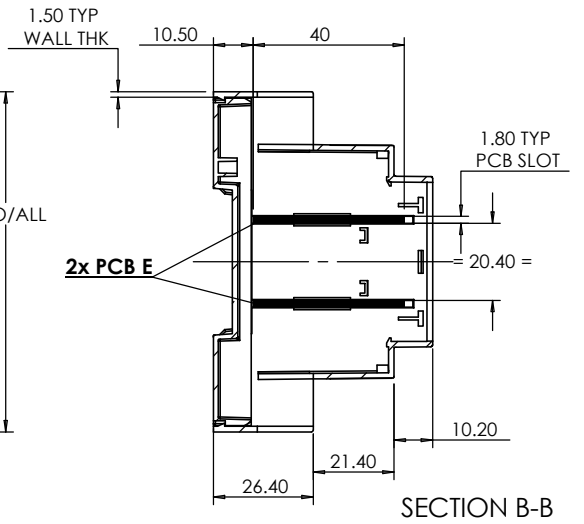
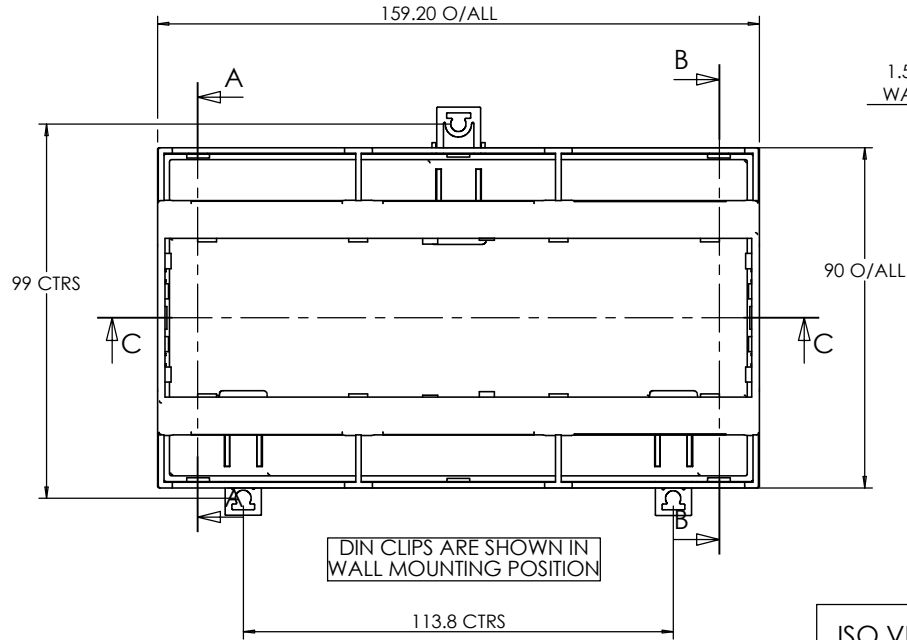
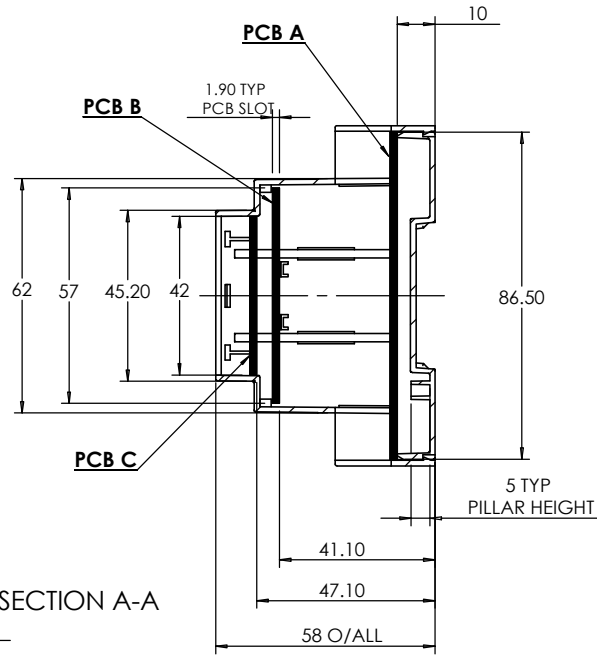
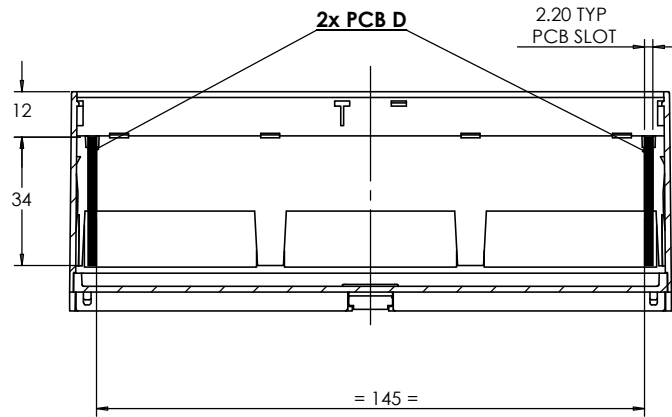
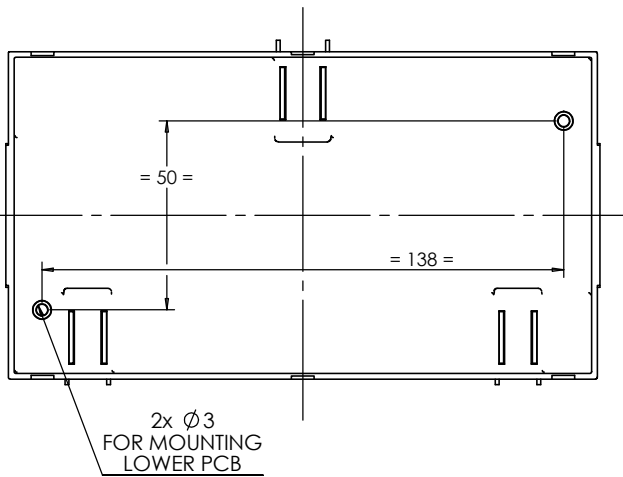


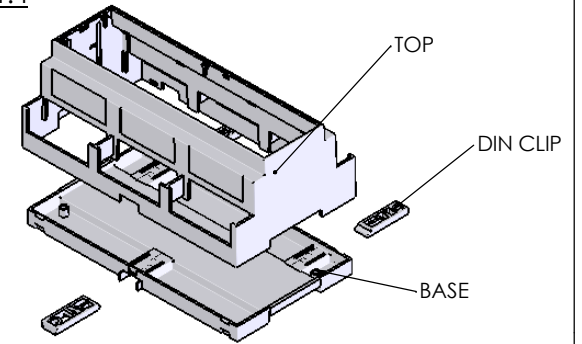
ASSEMBLY



BASE



**ISO VIEW
1:4**



PCB DIMENSIONS (mm)	
A	86.5 x 155
B	57 x 155.4
C	42 x 154
D	34 x 59.6
E	40 x 155

SECTION C-C

<p>CAMDENBOSS JAMES CARTER RD, MILDENHALL, SUFFOLK. IP28 7DE TEL: 01638 716101 FAX: 01638 716554 EMAIL: Sales@CamdenBoss.com WEB: www.CamdenBoss.com</p>				UNLESS OTHERWISE SPECIFIED: DIMENSIONS ARE IN MILLIMETERS		DO NOT SCALE DRAWING		REVISION: 0		
				FINISH: SMOOTH		TITLE: GNL ASSY DRG FOR CNMB SERIES				
DRAWN L. SUBKHANKULOVA		SIGNED LS		DATE 24/03/10		MATERIAL: UV94-V0 PC		DWG NO. CNMB-9-2		A4
CHK'D STUART HARDINGE		SIGNED SJH		DATE 24/03/10		PROJECTION: 		SCALE: 1:2		SHEET 1 OF 1