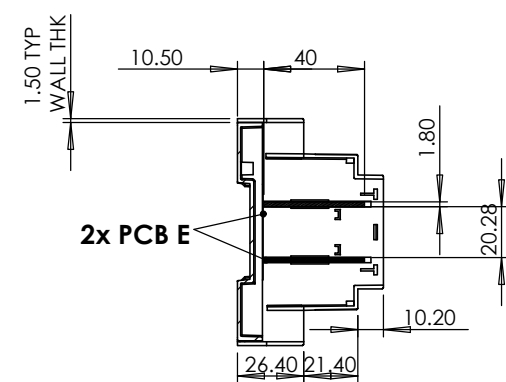
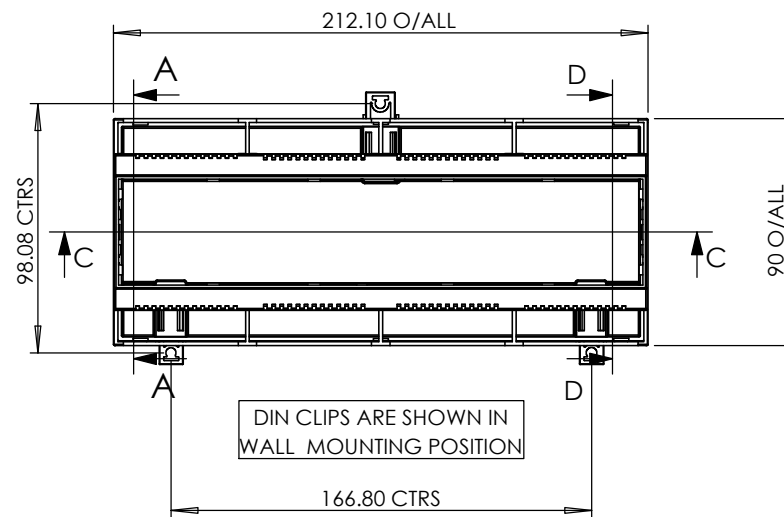
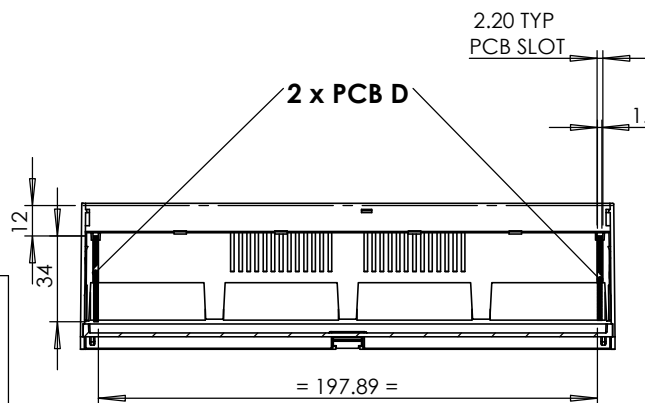
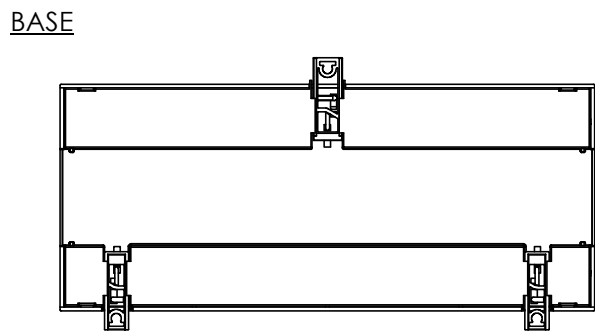


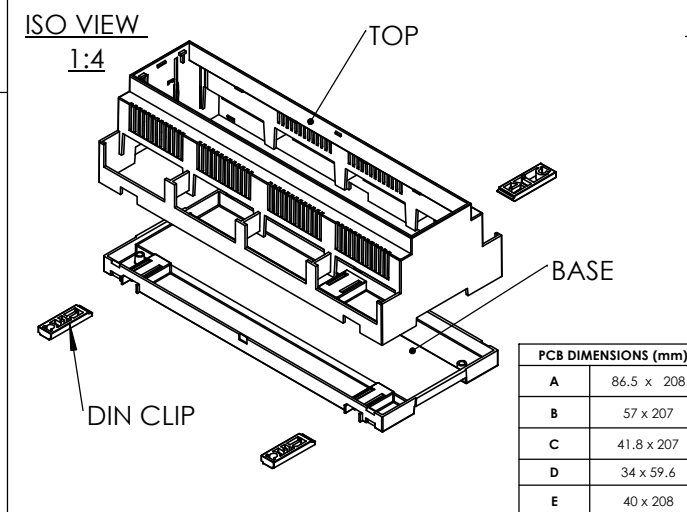
SECTION A-A
SCALE 1 : 3



SECTION D-D
SCALE 1 : 3



SECTION C-C
SCALE 1 : 3



PCB DIMENSIONS (mm)	
A	86.5 x 208
B	57 x 207
C	41.8 x 207
D	34 x 59.6
E	40 x 208

<p>CAMDENBOSS JAMES CARTER RD, MILDENHALL, SUFFOLK. IP28 7DE TEL: 01638 716101 FAX: 01638 716554 EMAIL: Sales@CamdenBoss.com WEB: www.CamdenBoss.com</p>			UNLESS OTHERWISE SPECIFIED: DIMENSIONS ARE IN MILLIMETERS	DO NOT SCALE DRAWING	REVISION. ○
			GENERAL TOLERANCES +/- 0.2	TITLE: CUSTOMISATION DRAWING FOR CNMB SERIES	
FINISH. SMOOTH			MATERIAL. UL94-VO PC	DWG NO. CNMB-12V-2	A4
DRAWN	JOSHUA GIFFORD	JPG	11/11/2015	SCALE. 1:2	SHEET 1 OF 1
CHK'D	-	-	-		