

CLIMATE CONTROLS MINI

Air quality sensors & controls GS 20.00 knx



Overview

- Detection of air quality
- VOC-sensor (Measuring range 0...5.000 µg/m³)
- Temperature sensor (Measuring range 0...+50 °C)
- Atmospheric pressure sensor
- Humidity sensor (Measuring range 0...100 % rel. humidity)
- Humidity comparator function
- Clearly structured ETS
- Easy handling and mounting
- Various mounting capabilities
- Compact housing

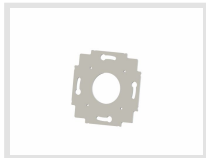
Order numbers

■ müller

GS 20.00 knx

VOC- air quality sensor
& control

Accessories



Mounting plate for wall box



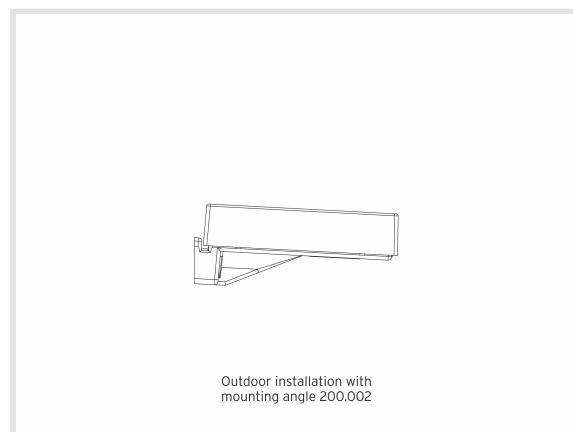
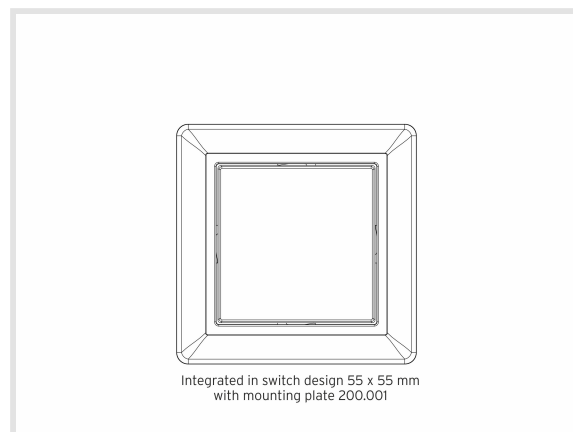
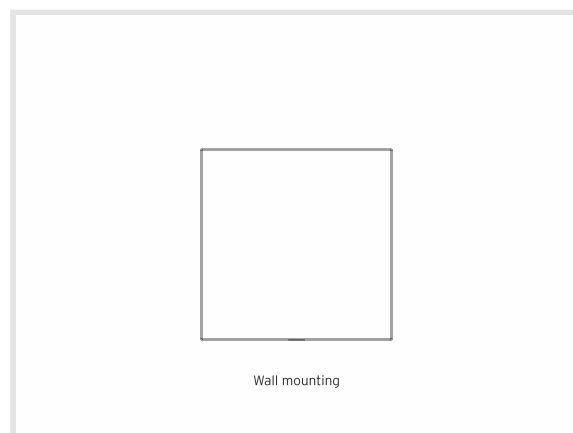
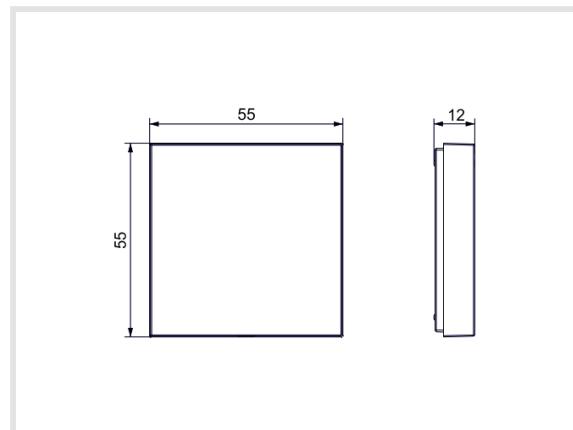
Mounting angle

CLIMATE CONTROLS MINI

Air quality sensors & controls GS 20.00 knx

Technical data

Supply voltage	via KNX bus voltage
Bus current	< 10 mA
Bus system	KNX
Sensors	VOC temperature relative humidity atmospheric pressure dew point
Measuring range VOC	0...5.000 µg/m ³
Measuring range temperature	0...+50 °C
Measuring range relative humidity	0...100 %
Measuring range atmospheric pressure	300...1.100 hPa
Permitted ambient temperature	-10...+45 °C
Housing	self-extinguishing thermoplastic
Housing color	studio white (similar to RAL 9016) specific colors on request
Mounting	wall mounting in frame (55x55) wall mounting with mounting angle
Type of connection	push-in connector
Type of protection	according to DIN EN 60529: IP X1 IP X4 when mounted with mounting angle
Class of protection	III when installed according to regulations
Type of connection external inputs	wire diameter max. 6 x 0,5 mm ² strip length 7 mm



Functions and data provided to KNX bus:

VOC	Value output Control (step and PI control)
Relative humidity	Value output Control (step and PI control) Comperator
Temperature	Value output Control heating (2-point- and PI control) Control cooling (2-point- and PI control) Alarms
Dewpoint	Value output Alarms
Air pressure	Value output
VAV control	Value output (0...100 %)
and much more...	

Rights to technical amendments reserved / Technische Änderungen vorbehalten
Droits de modifications techniques réservés / Suscettibile di errori e modifiche