

JBL® CLUB SPEAKERS



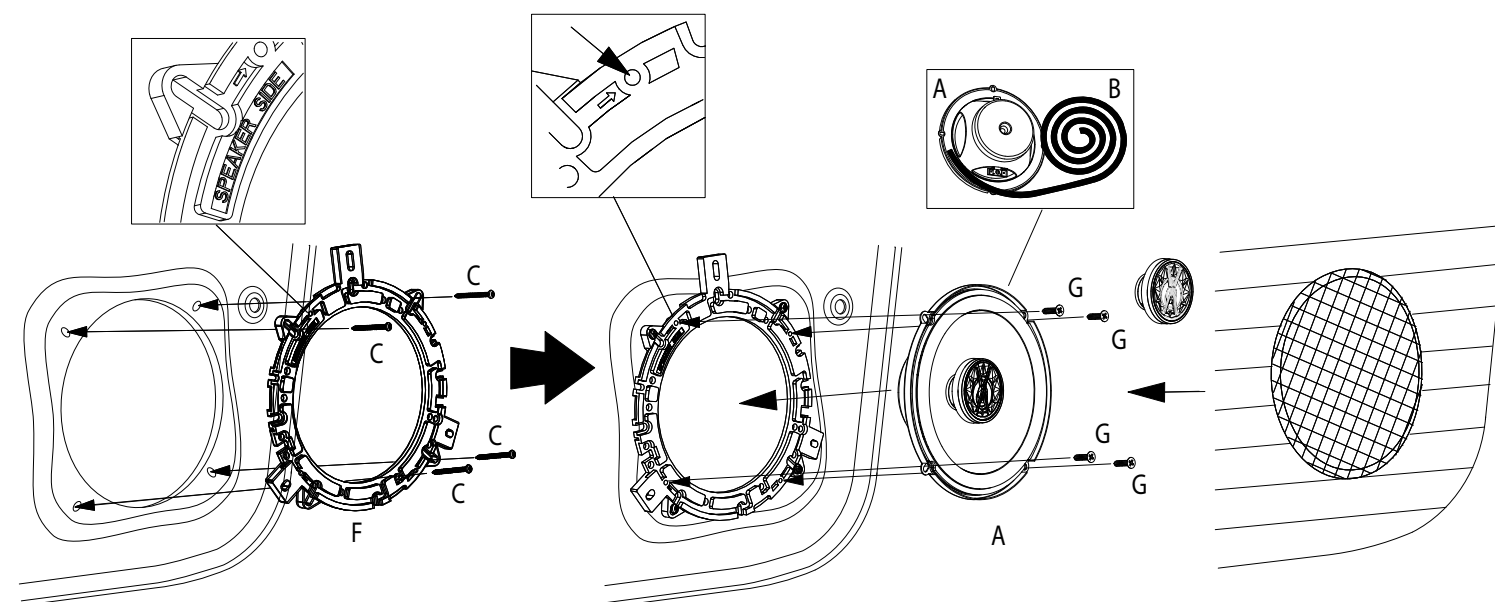
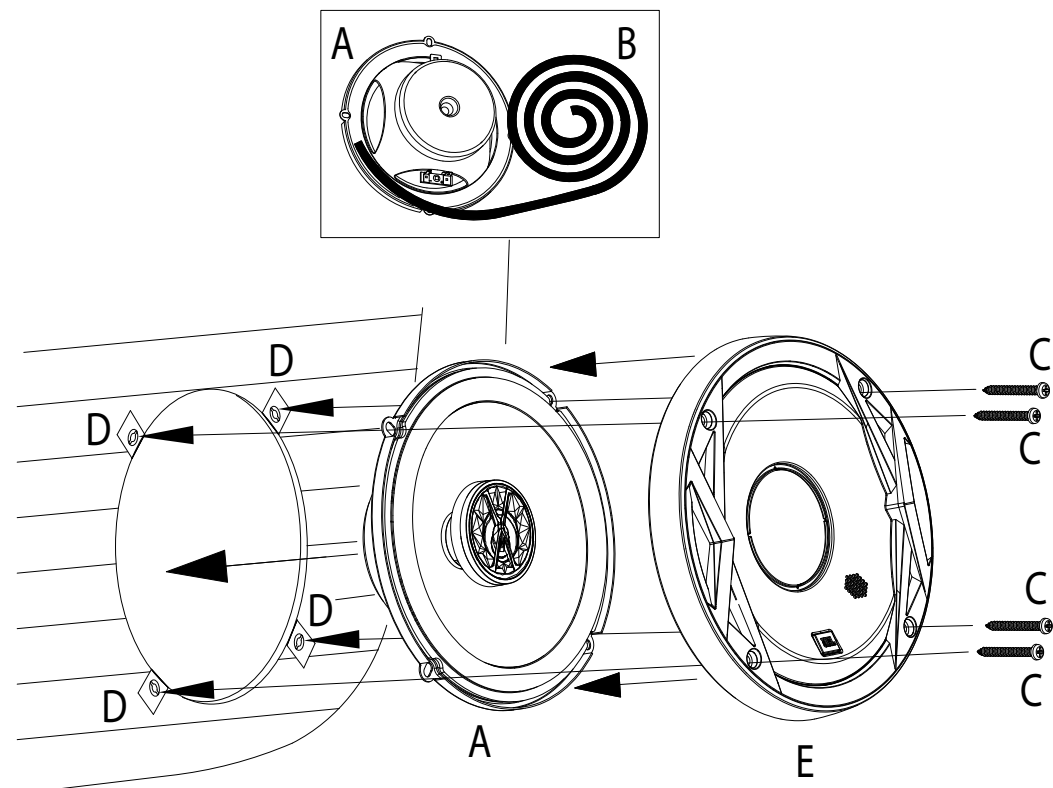
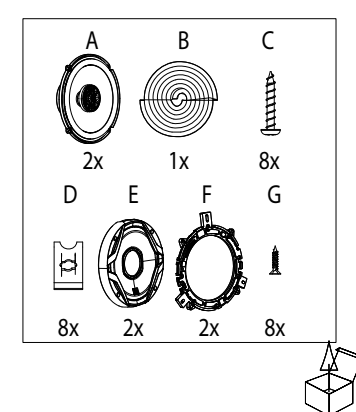
by HARMAN

Car Audio Speaker
 Haut-parleur audio automobile
 Altavoz de audio para automóvil
 Alto-falante automotivo
 Fahrzeuglautsprecher
 Diffusore Car Audio
 Autoluidspreker
 Bilstereohøytaler
 Autokaiutin
 Автомобильный динамик
 Bilhögtalare
 Bilhöjtaler
 カーオーディオ・スピーカー
 Głośnik samochodowy
 카오디오 스피커
 车载扬声器
 汽車音響喇叭
 Speaker Audio Mobil
 Araba Ses Hoparlörü

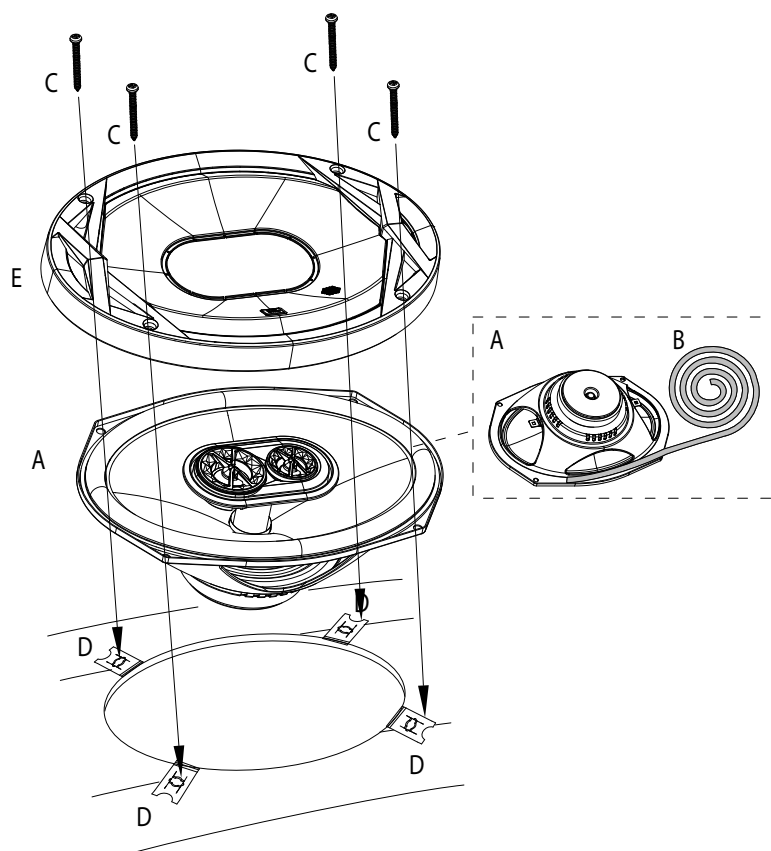
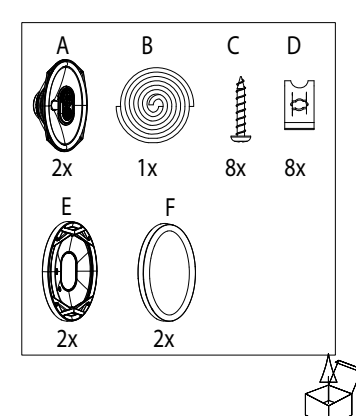


Installation manual
 Manuel d'installation
 Manual de instalación
 Manual de instalação
 Installationshandbuch
 Manuale d'installazione
 Installatiehandleiding
 Installasjonsveiledning
 Asennusopas
 Руководство по установке
 Installationsanvisning
 Installationsmanual
 設置マニュアル
 Instrukcja instalacji
 설치 설명서
 安装手册
 安裝手冊
 Panduan instalasi
 Kurulum kılavuzu

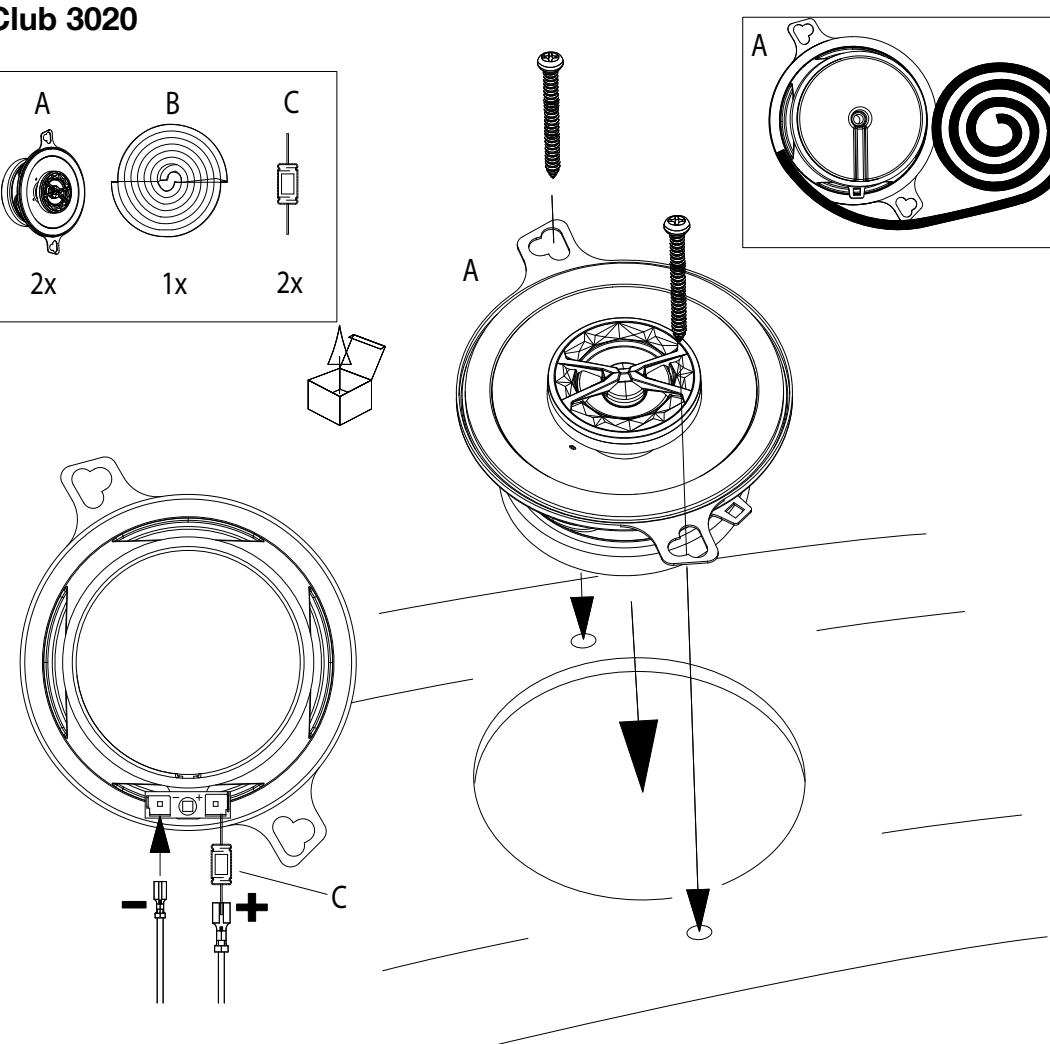
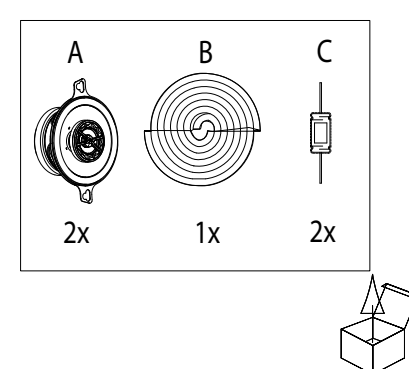
CLUB 6520



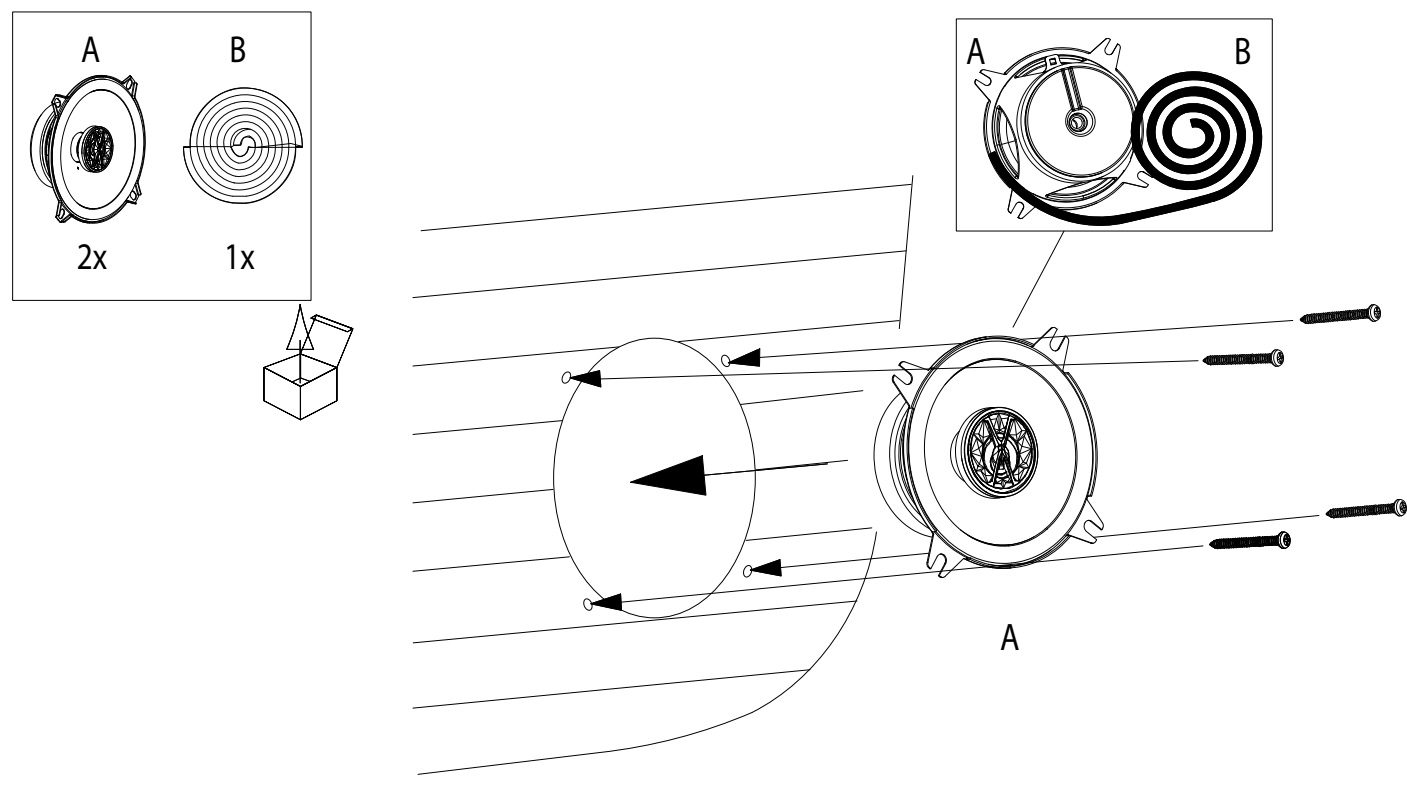
CLUB 9630



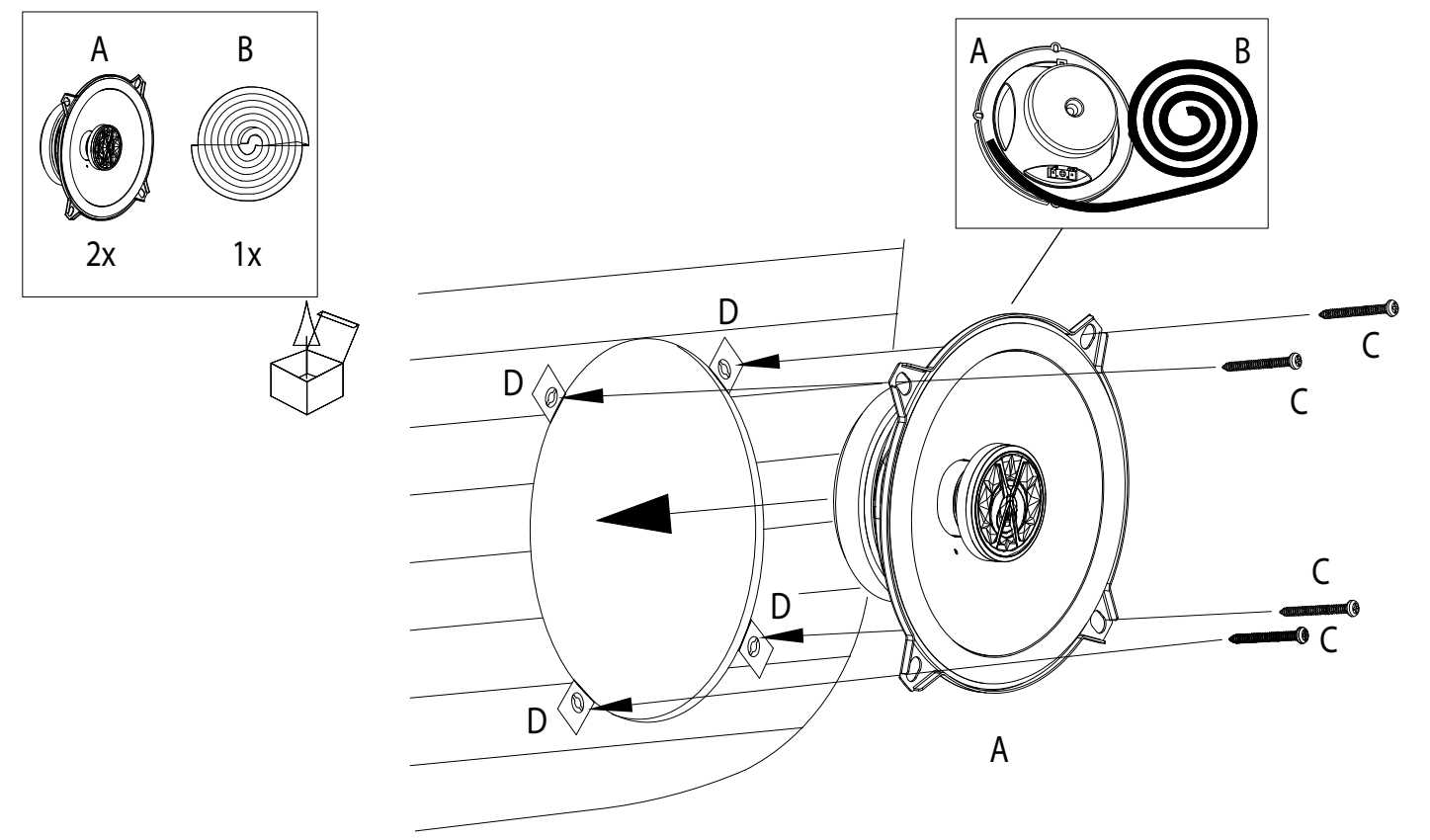
Club 3020



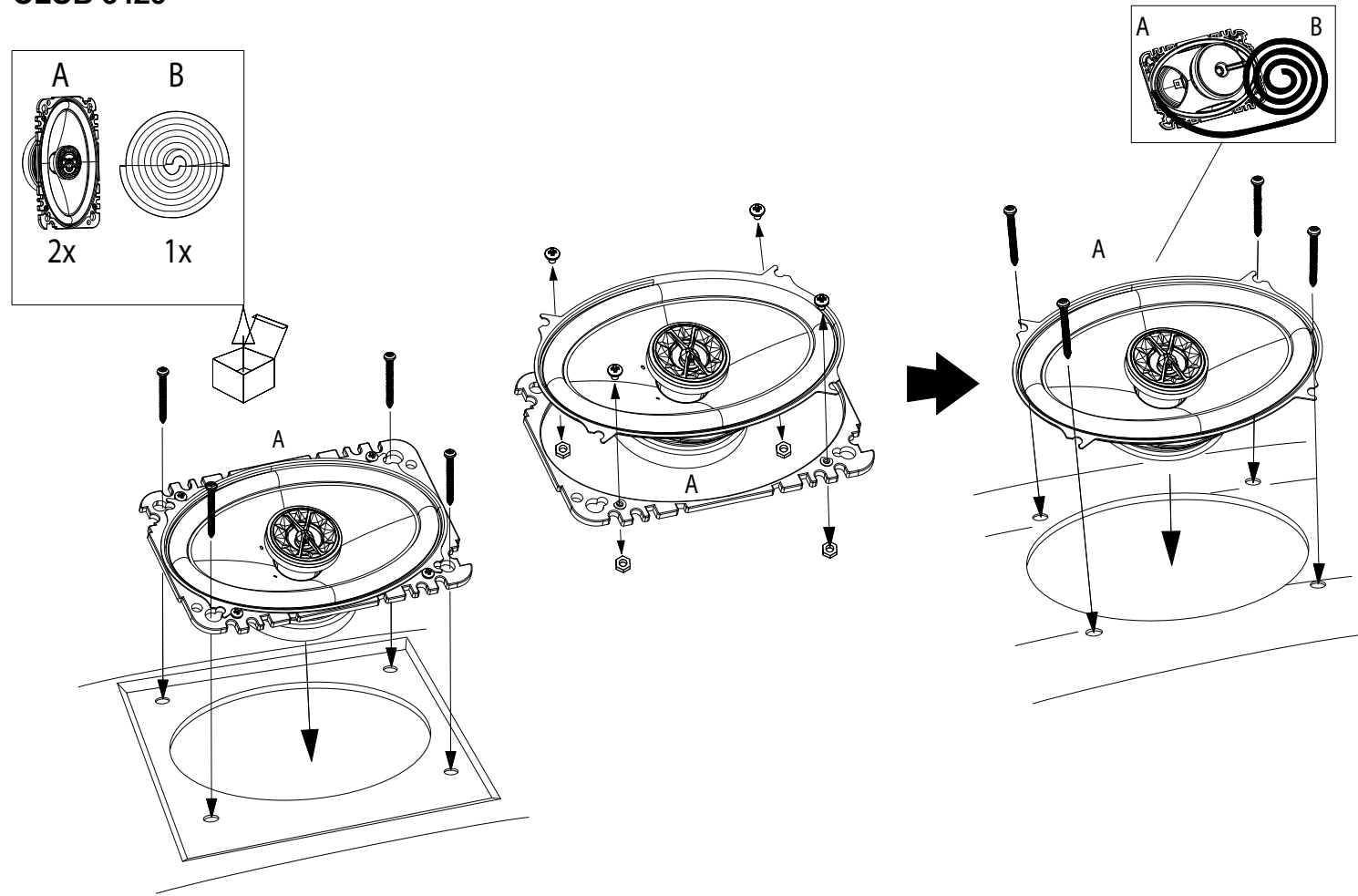
CLUB 4020



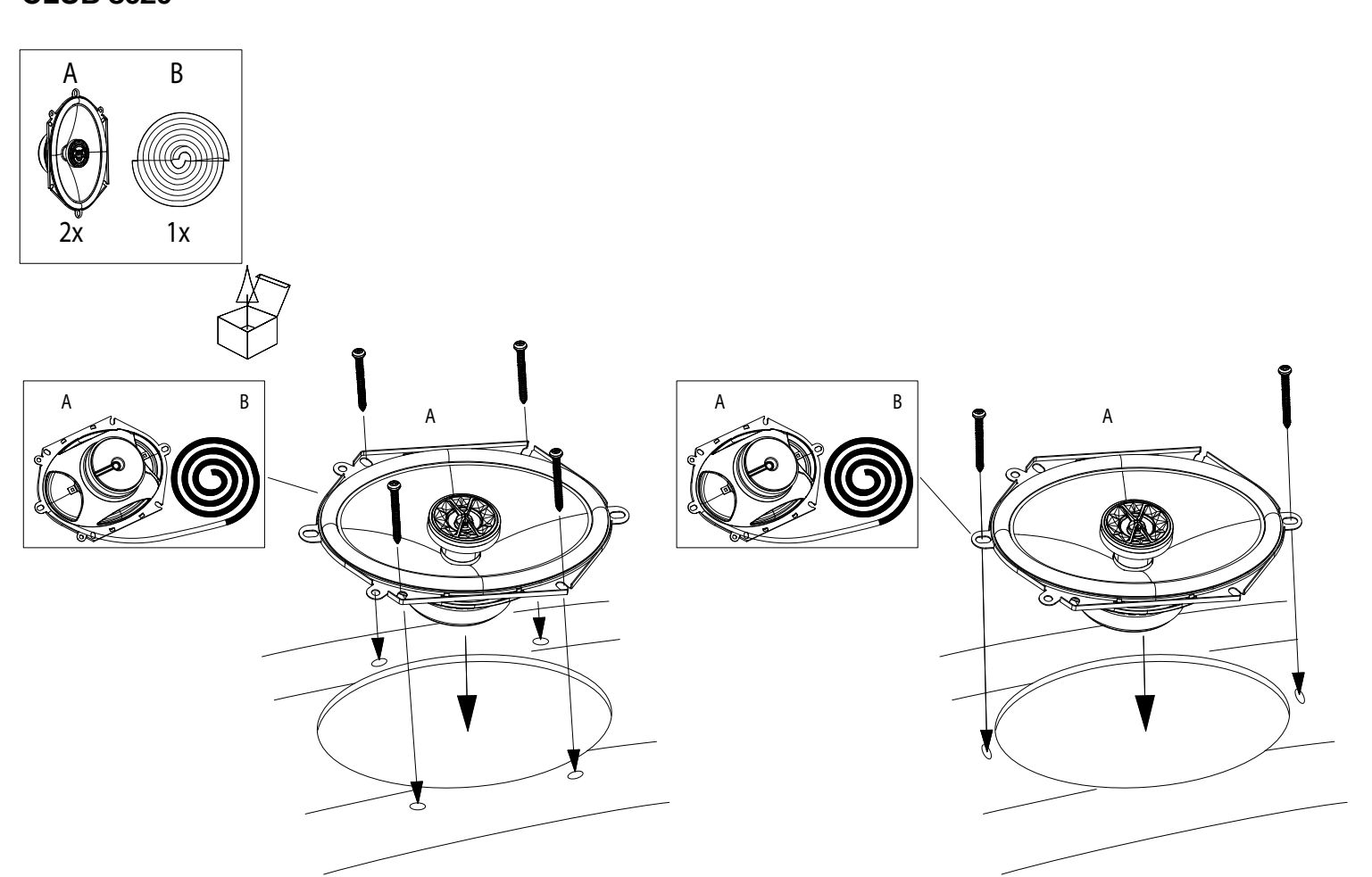
CLUB 5020



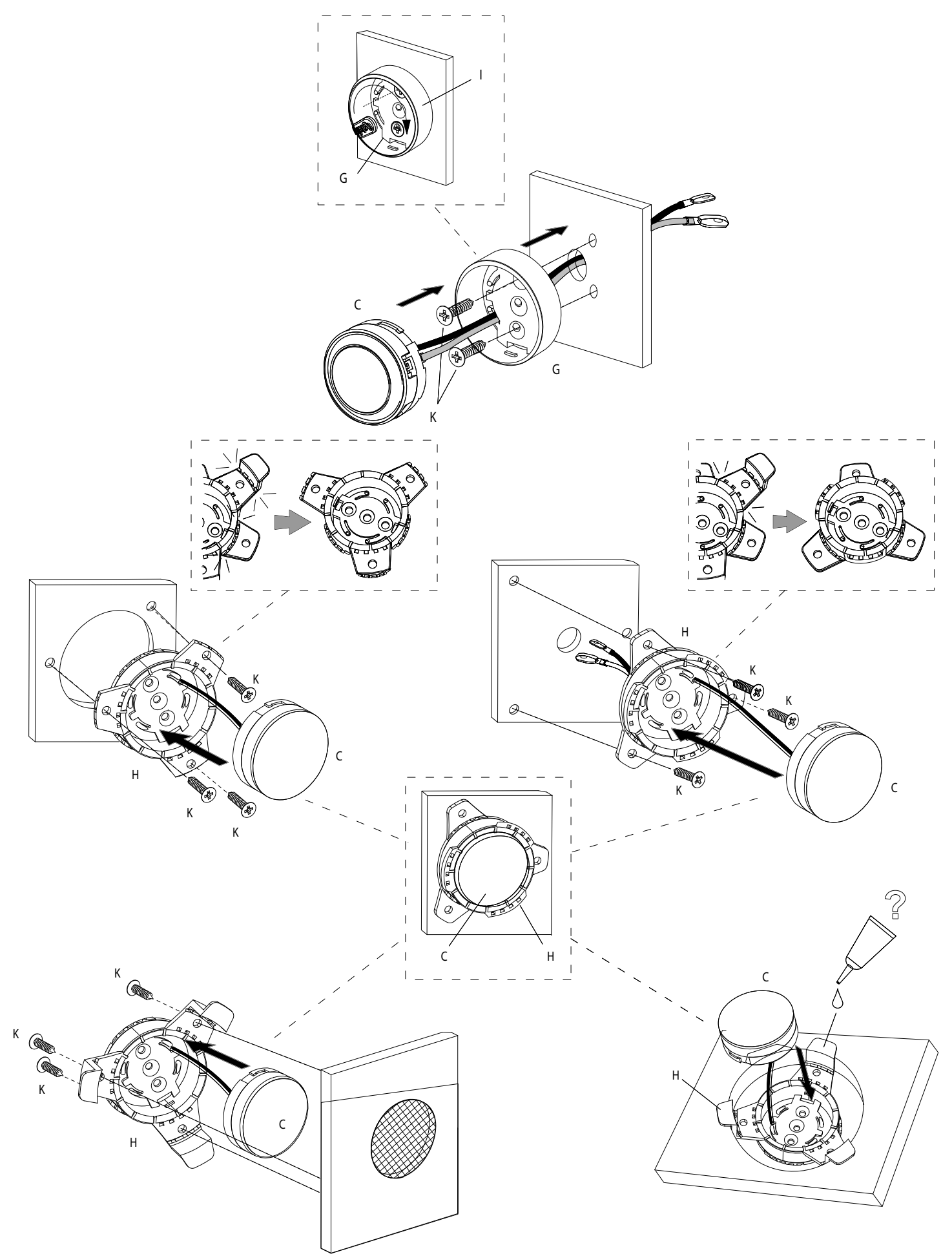
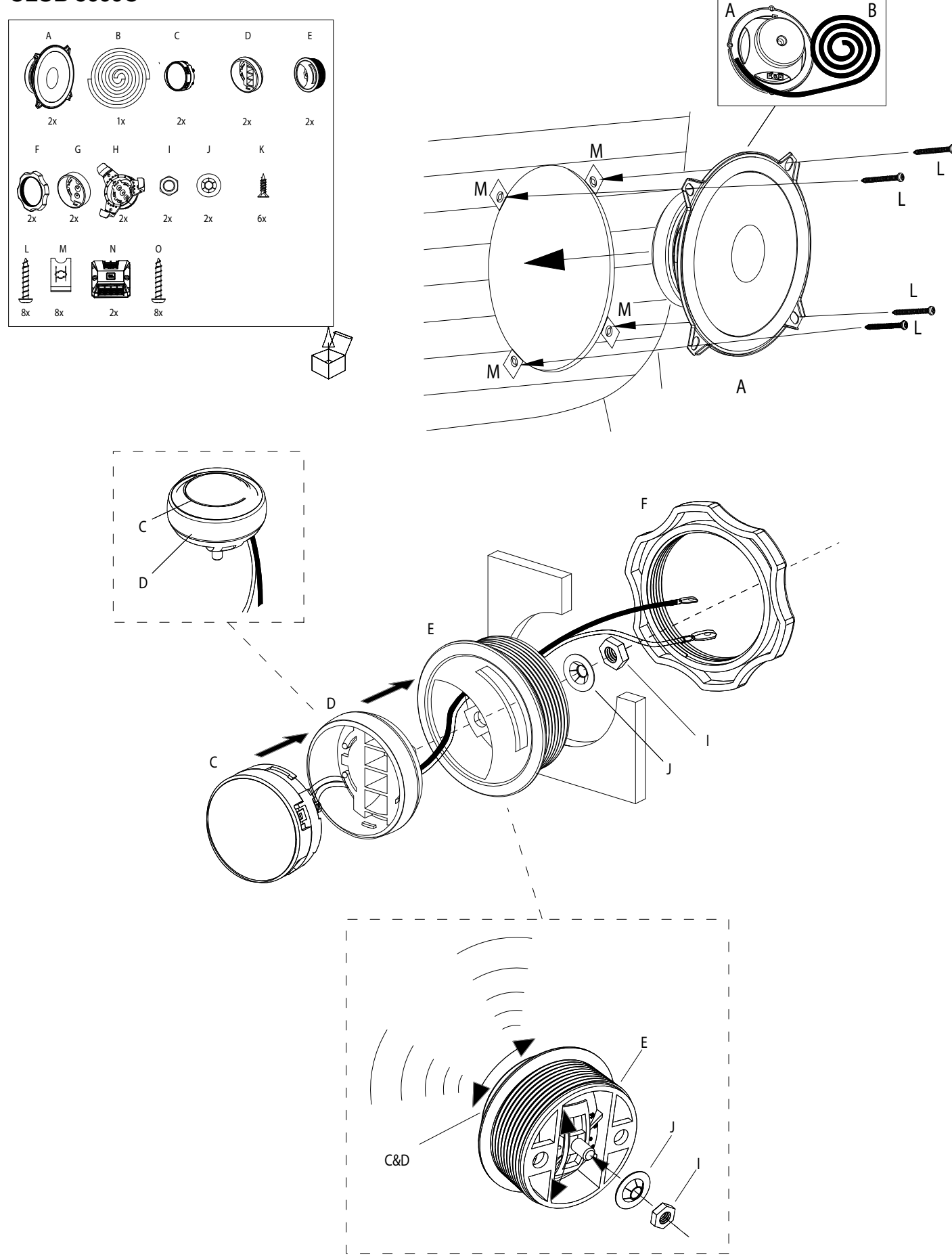
CLUB 6420



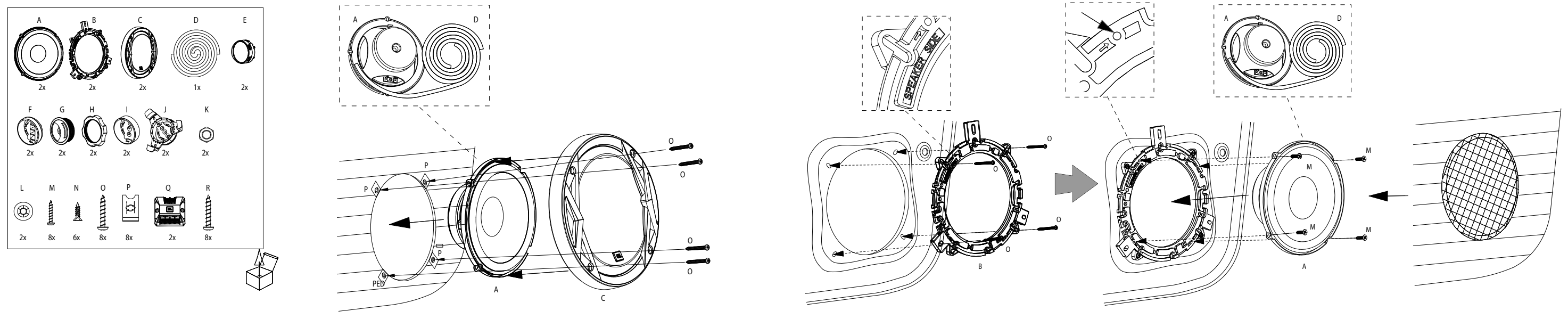
CLUB 8620



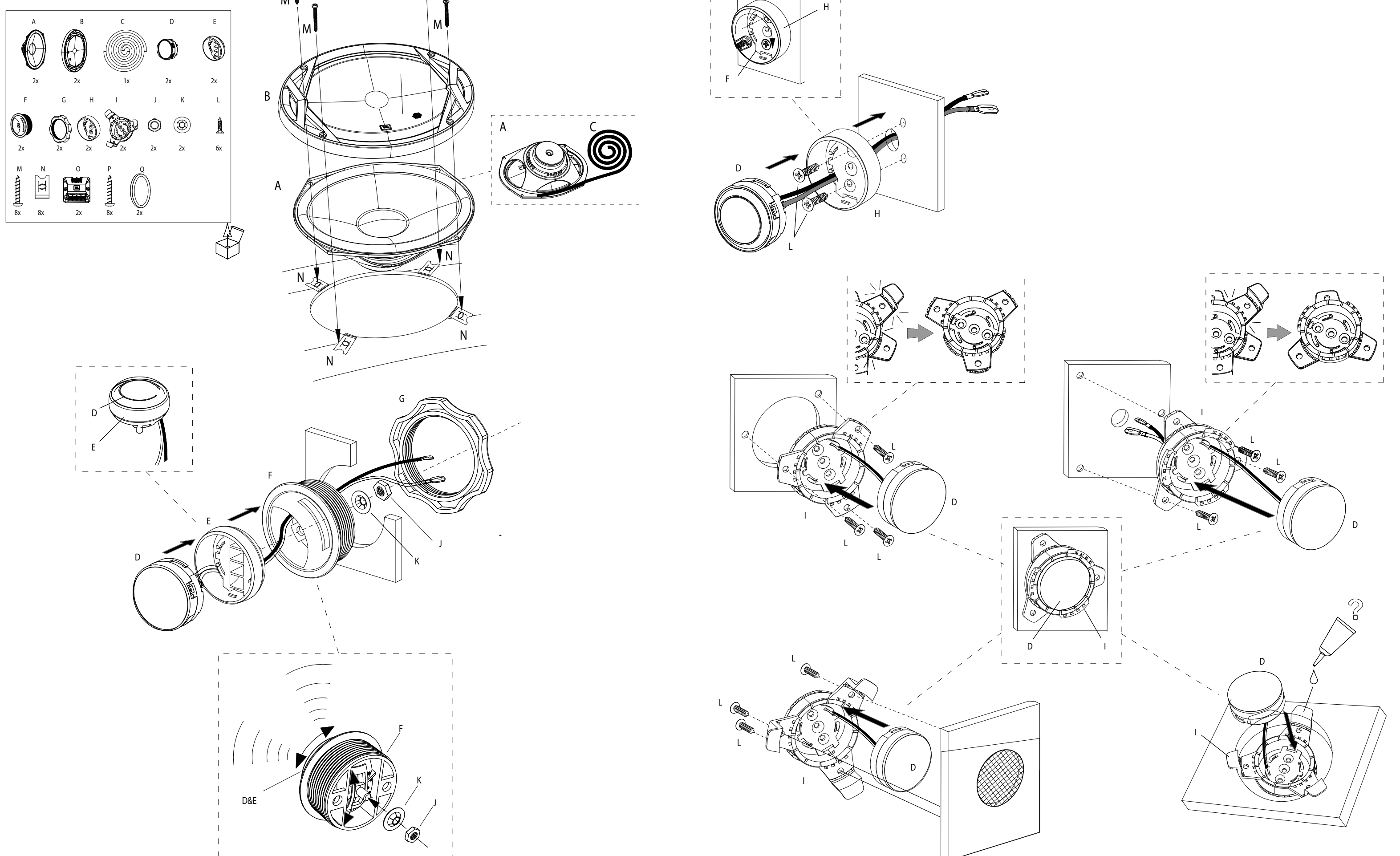
CLUB 5000C



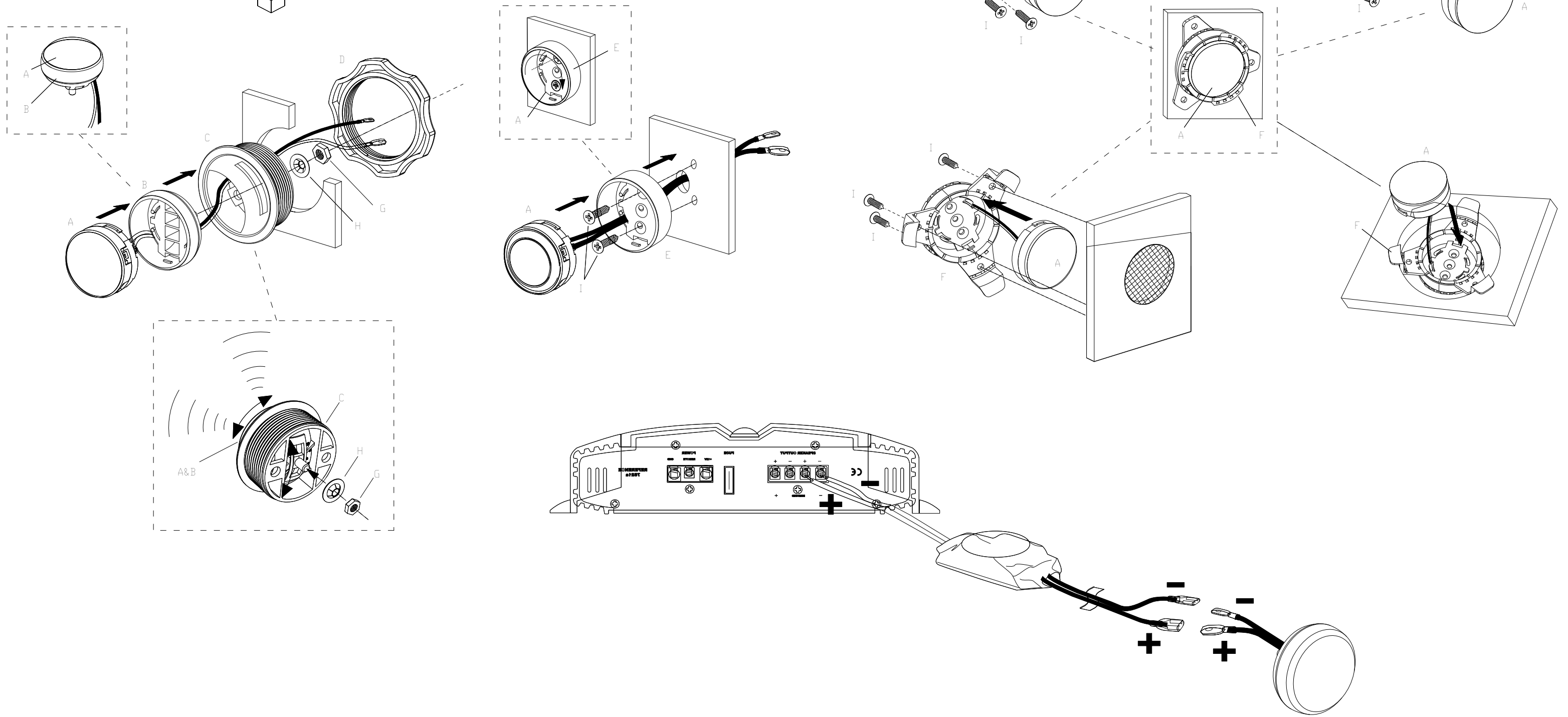
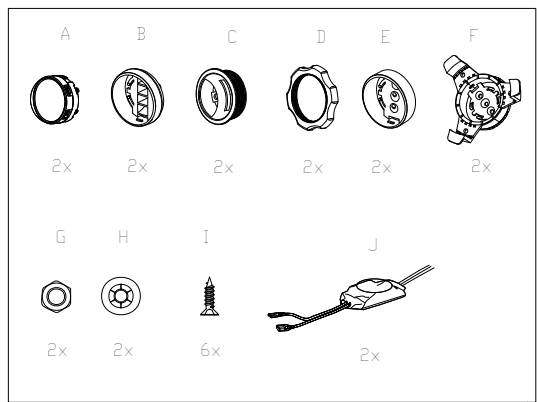
CLUB 6500C



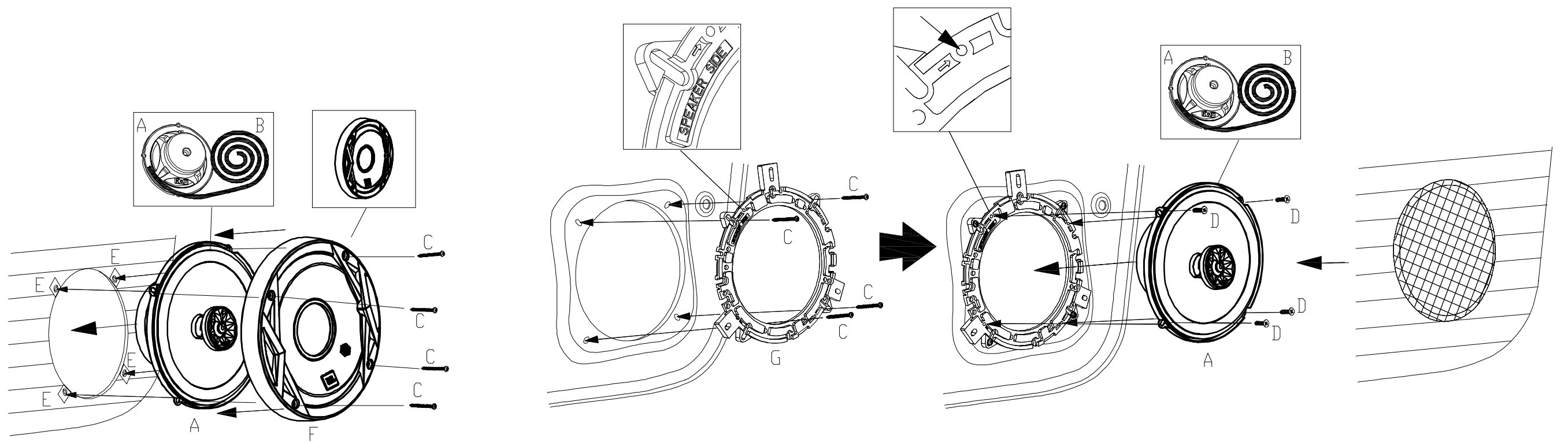
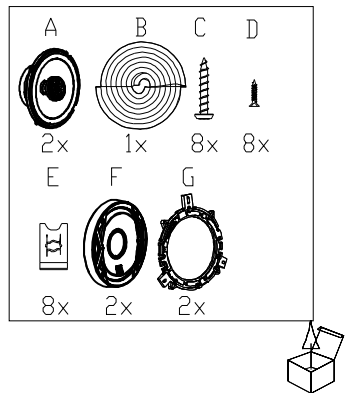
CLUB 9600C



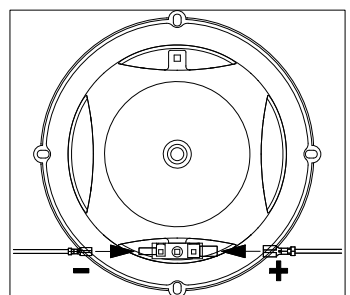
Club 750T



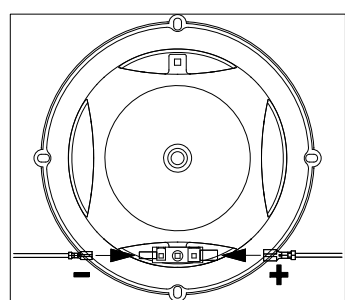
CLUB 6522



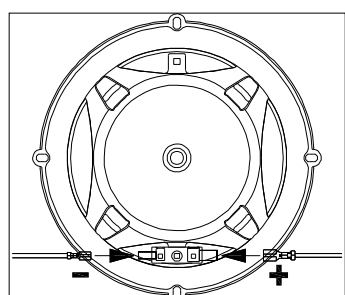
**CLUB 6420 / CLUB 8620 /
CLUB 5020 / CLUB 6520 /
CLUB 3020 / CLUB 4020 /
CLUB 9630**



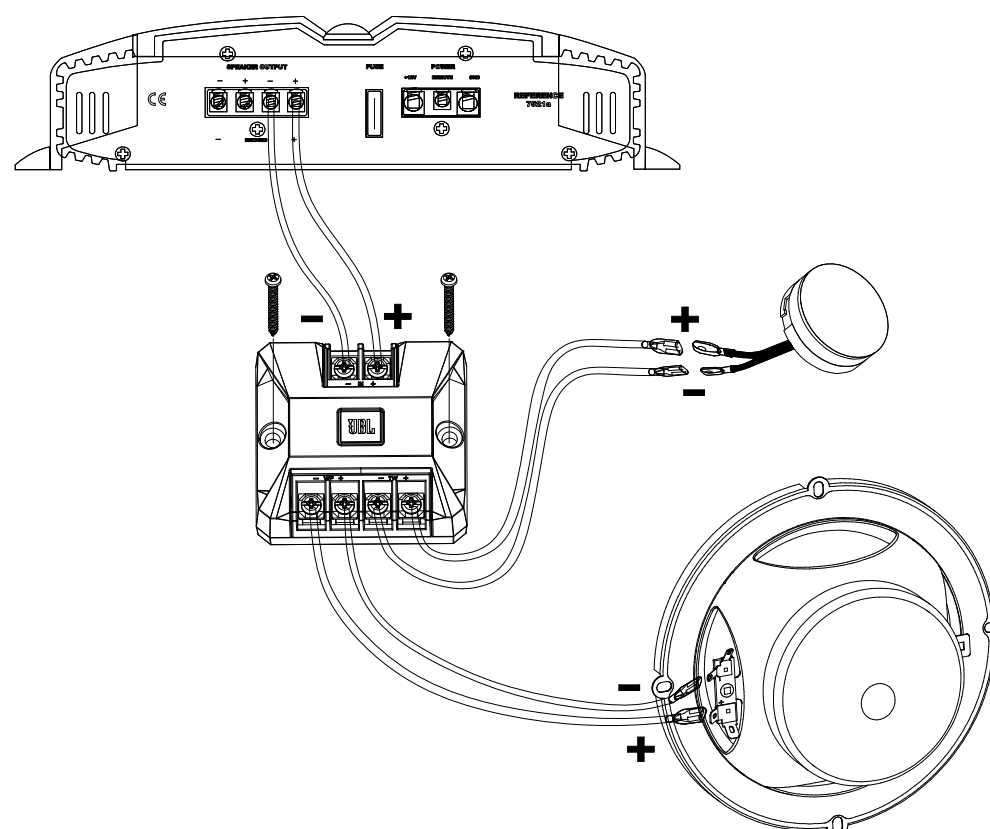
**CLUB 5000C / CLUB 6500C /
CLUB 9600C / CLUB 750T**

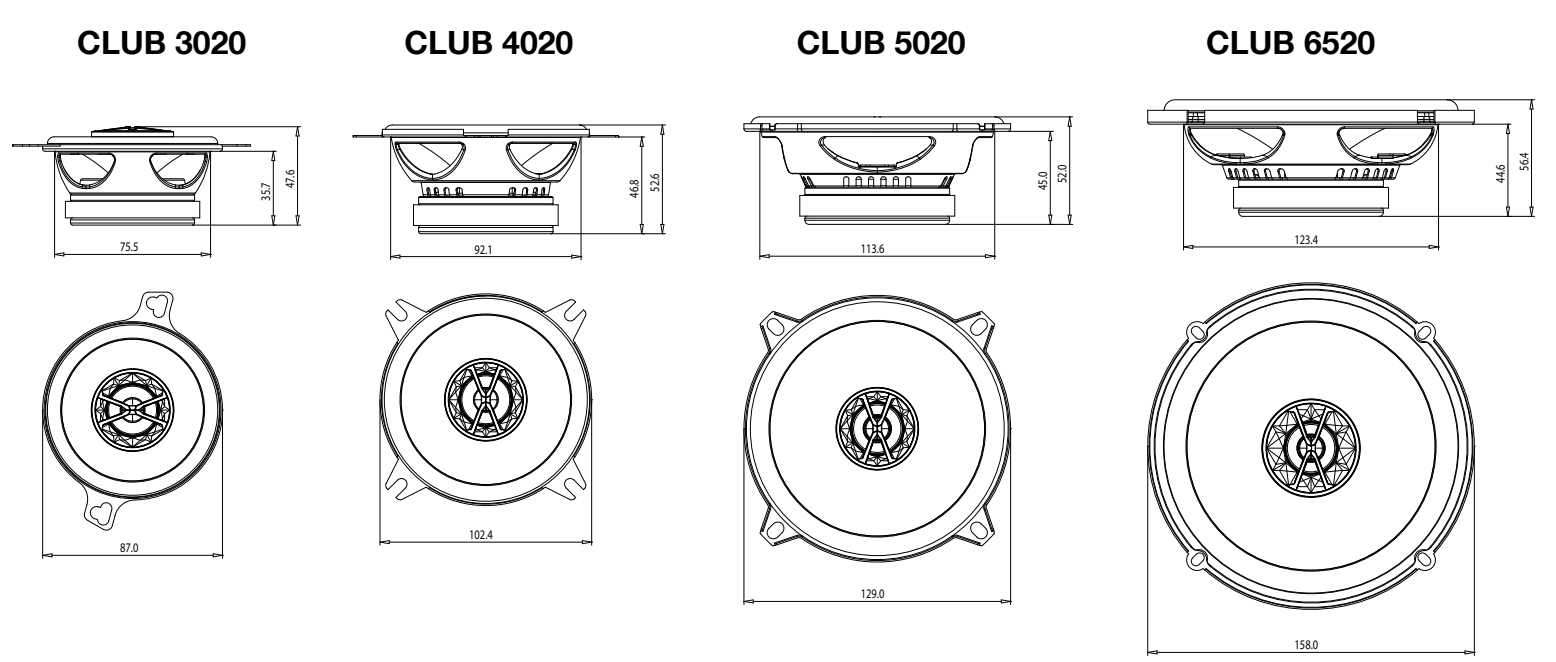
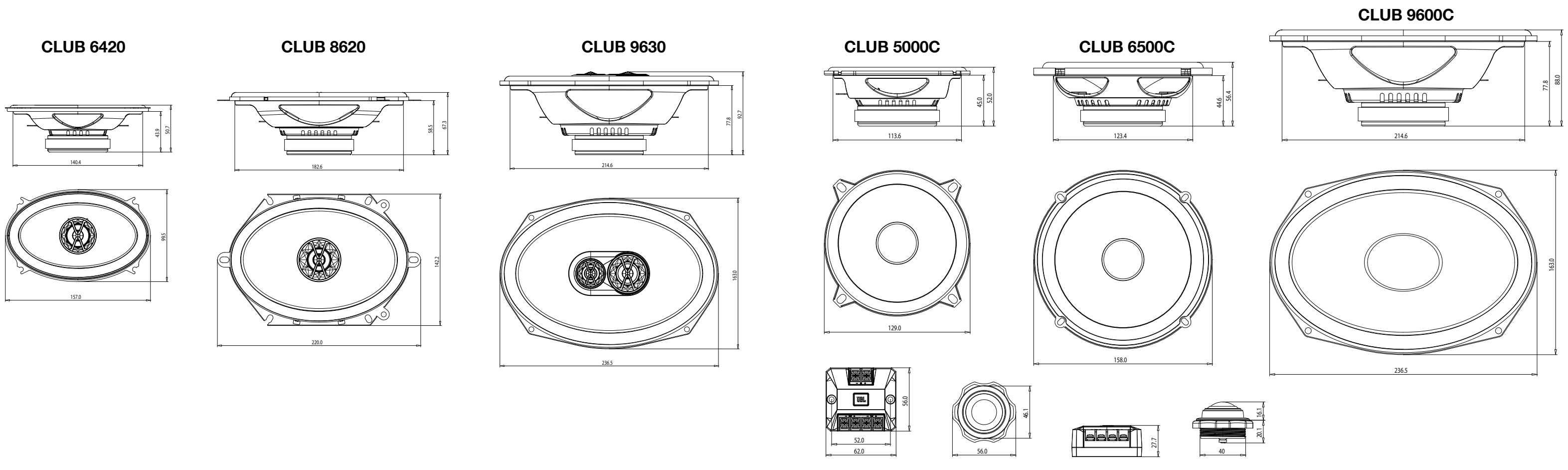


CLUB 6522



CLUB 5000C / CLUB 6500C / CLUB 9600C





SPECIFICATIONS	CLUB 6520	CLUB 9630	CLUB 3020	CLUB 4020	CLUB 5020	CLUB 6420	CLUB 8620	CLUB 5000C	CLUB 6500C	CLUB 9600C	CLUB 6522	CLUB 750T
Type	6-1/2" (160mm) coaxial car speaker	6" x 9" three-way car speaker	3-1/2" (87mm) coaxial car speaker	4" (100mm) coaxial car speaker	5-1/4" (130mm) coaxial car speaker	4" x 6" coaxial car speaker	6" x 8" coaxial car speaker	5-1/4" (130mm) component speaker system	6" x 9" component speaker system	6-1/2" (160mm) high performance coaxial car speaker	3/4" (19mm) component tweeter	
Continuous power handling	50W	80W	20W	30W	40W	35W	55W	55W	60W	90W	60W	45W
Peak power handling	150W	240W	60W	90W	120W	105W	165W	165W	180W	270W	180W	135W
Frequency response	55Hz-20kHz	50Hz-20kHz	90Hz-20kHz	75Hz-20kHz	75Hz-20kHz	75Hz-20kHz	65Hz-20kHz	55Hz-20kHz	55Hz-20kHz	53Hz-21kHz	3kHz-20kHz	3kHz-20kHz
Nominal impedance	3.0ohms	3.0ohms	3.0ohms	3.0ohms	3.0ohms	3.0ohms	3.0ohms	3.0ohms	3.0ohms	3.0ohms	3.0ohms	3.0ohms
Sensitivity (2.83V/1m)	92dB	93dB	89dB	90dB	91dB	91dB	93dB	91dB	92dB	93dB	93dB	92dB
External diameter	6-1/4" (158mm)	9-5/16" x 6-7/16" (236.5mm x 163mm)	3-7/16" (87mm)	4-1/16" (102.4mm)	5-1/8" (129mm)	6-3/16" x 3-15/16" (157mm x 99.5mm)	8-1/16" x 5-5/8" (220mm x 142.2mm)	5-1/8" (129mm)	6-1/4" (158mm)	9-5/16" x 6-7/16" (236.5mm x 163mm)	6-1/4" (158mm)	2-1/4" (56mm)
Mounting cutout diameter	4-7/8" (123.4mm)	8-1/2" x 5-3/4" (214.6mm x 144.6mm)	3" (75.5mm)	3-11/16" (82.1mm)	4-1/2" (113.6mm)	5-9/16" x 3-3/8" (140.4mm x 85.1mm)	7-1/4" x 5" (182.6mm x 125.6mm)	4-1/2" (113.6mm)	4-7/8" (123.4mm)	8-1/2" x 5-3/4" (214.6mm x 144.6mm)	5" (127mm)	1-5/8" (40mm)
Total depth	2-1/4" (56.4mm)	3-11/16" (82.7mm)	1-7/8" (47.6mm)	2-1/8" (52.6mm)	2-1/16" (52mm)	2" (50.7mm)	2-11/16" (67.3mm)	2-1/16" (52mm)	2-1/4" (56.4mm)	3-1/2" (88mm)	2-7/8" (69.7mm)	1-7/16" (36.1mm)
Mounting depth	1-13/16" (44.6mm)	3-1/8" (77.8mm)	1-7/16" (35.7mm)	1-7/8" (46.8mm)	1-13/16" (45mm)	1-3/4" (43.9mm)	2-5/16" (68.5mm)	1-13/16" (45mm)	1-13/16" (44.6mm)	3-1/8" (77.8mm)	2-1/16" (51.5mm)	13/16" (20mm)

ESPECIFICACIONES	CLUB 6520	CLUB 9630	CLUB 3020	CLUB 4020	CLUB 5020	CLUB 6420	CLUB 8620	CLUB 5000C	CLUB 6500C	CLUB 9600C	CLUB 6522	CLUB 750T
Tip	Alto-parlante automotivo coaxial de 6-1/2" (160 mm)	Alto-parlante automotivo de tres vías con 6" x 9"	Alto-parlante automotivo coaxial de 3-1/2" (87 mm)	Alto-parlante automotivo coaxial de 4" (100 mm)	Alto-parlante automotivo coaxial de 5-1/4" (130 mm)	Alto-parlante automotivo coaxial de 4" x 6"	Alto-parlante automotivo coaxial de 6" x 8"	Sistema de alto-parlantes componentes de 5-1/4" (130 mm)	Sistema de alto-parlantes componentes de 6" x 9"	Alto-parlante automotivo coaxial de 6-1/2" (160 mm)	Tweeter componente de 3/4" (19 mm)	
Gestión de potencia máxima continua	50W	80W	20W	30W	40W	35W	55W	55W	60W	90W	60W	45W
Gestión de potencia pico	150W	240W	60W	90W	120W	105W	165W	165W	180W	270W	180W	135W
Intervalo de frecuencias	55Hz-20kHz	50Hz-20kHz	90Hz-20kHz	75Hz-20kHz	75Hz-20kHz	75Hz-20kHz	65Hz-20kHz	55Hz-20kHz	55Hz-20kHz	53Hz-21kHz	3kHz-20kHz	3kHz-20kHz
Impedancia nominal	3.0ohms	3.0ohms	3.0ohms	3.0ohms	3.0ohms	3.0ohms	3.0ohms	3.0ohms	3.0ohms	3.0ohms	3.0ohms	3.0ohms
Sensibilidad (2.83V/1m)	92dB	93dB	89dB	90dB	91dB	91dB	93dB	91dB	92dB	93dB	93dB	92dB
Diámetro externo	6-1/4" (158mm)	9-5/16" x 6-7/16" (236.5mm x 163mm)	3-7/16" (87mm)	4-1/16" (102.4mm)	5-1/8" (129mm)	6-3/16" x 3-15/16" (157mm x 99.5mm)	8-1/16" x 5-5/8" (220mm x 142.2mm)	5-1/8" (129mm)	6-1/4" (158mm)	9-5/16" x 6-7/16" (236.5mm x 163mm)	6-1/4" (158mm)	2-1/4" (56mm)
Diámetro de corte para montaje	4-7/8" (123.4mm)	8-1/2" x 5-3/4" (214.6mm x 144.6mm)	3" (75.5mm)	3-11/16" (82.1mm)	4-1/2" (113.6mm)	5-9/16" x 3-3/8" (140.4mm x 85.1mm)	7-1/4" x 5" (182.6mm x 125.6mm)	4-1/2" (113.6mm)	4-7/8" (123.4mm)	8-1/2" x 5-3/4" (214.6mm x 144.6mm)	5" (127mm)	1-5/8" (40mm)
Profundidad total	2-1/4" (56.4mm)	3-11/16" (82.7mm)	1-7/8" (47.6mm)	2-1/8" (52.6mm)	2-1/16" (52mm)	2" (50.7mm)	2-11/16" (67.3mm)	2-1/16" (52mm)	2-1/4" (56.4mm)	3-1/2" (88mm)	2-7/8" (69.7mm)	1-7/16" (36.1mm)
Profundidad de montaje	1-13/16" (44.6mm)	3-1/8" (77.8mm)	1-7/16" (35.7mm)	1-7/8" (46.8mm)	1-13/16" (45mm)	1-3/4" (43.9mm)	2-5/16" (68.5mm)	1-13/16" (45mm)	1-13/16" (44.6mm)	3-1/8" (77.8mm)	2-1/16" (51.5mm)	13/16" (20mm)

SPECIFICATIONS	CLUB 6520	CLUB 9630	CLUB 3020	CLUB 4020	CLUB 5020	CLUB 6420	CLUB 8620	CLUB 5000C	CLUB 6500C	CLUB 9600C	CLUB 6522	CLUB 750T
Type	Head-carrier automobile coaxial 6-1/2" (160mm)	Head-carrier automobile three-way car 6" x 9" (236.5mm x 163mm)	Head-carrier automobile coaxial 3-1/2" (87mm)	Head-carrier automobile coaxial 4" (100mm)	Head-carrier automobile coaxial 5-1/4" (130mm)	Head-carrier automobile coaxial 4" x 6" (100mm x 150mm)	Head-carrier automobile coaxial 6" x 8" (150mm x 203mm)	Systeme head-carrier component 130mm (5-1/4")	Systeme head-carrier component 150mm (6-1/2")	Systeme head-carrier component 150mm (6-1/2")	Head-carrier automobile coaxial high performance 6-1/2" (160mm)	Head-carrier auto tweeter component 19mm (3/4")
Puissance admissible continue	50W	80W	20W	30W	40W	35W	55W	55W	60W	90W	60W	45W
Puissance admissible crête	150W	240W	60W	90W	120W	105W	165W	165W	180W	270W	180W	135W
Reponse en fréquence	55Hz-20kHz	50Hz-20kHz	90Hz-20kHz	75Hz-20kHz	75Hz-20kHz	75Hz-20kHz	65Hz-20kHz	55Hz-20kHz	55Hz-20kHz	53Hz-21kHz	3kHz-20kHz	3kHz-20kHz
Impédance nominale	3.0ohms	3.0ohms	3.0ohms	3.0ohms	3.0ohms	3.0ohms	3.0ohms	3.0ohms	3.0ohms	3.0ohms	3.0ohms	3.0ohms
Sensibilité (2.83V/1m)	92dB	93dB	89dB	90dB	91dB	91dB	93dB	91dB	92dB	93dB	93dB	92dB
Diamètre externe	6-1/4" (158mm)	9-5/16" x 6-7/16" (236.5mm x 163mm)	3-7/16" (87mm)	4-1/16" (102.4mm)	5-1/8" (129mm)	6-3/16" x 3-15/16" (157mm x 99.5mm)	8-1/16" x 5-5/8" (220mm x 142.2mm)	5-1/8" (129mm)	6-1/4" (158mm)	9-5/16" x 6-7/16" (236.5mm x 163mm)	6-1/4" (158mm)	2-1/4" (56mm)
Diamètre de découpe de montage	4-7/8" (123.4mm)	8-1/2" x 5-3/4" (214.6mm x 144.6mm)	3" (75.5mm)	3-11/16" (82.1mm)	4-1/2" (113.6mm)	5-9/16" x 3-3/8" (140.4mm x 85.1mm)	7-1/4" x 5" (182.6mm x 125.6mm)	4-1/2" (113.6mm)	4-7/8" (123.4mm)	8-1/2" x 5-3/4" (214.6mm x 144.6mm)	5" (127mm)	1-5/8" (40mm)
Profondeur totale	2-1/4" (56.4mm)	3-11/16" (82.7mm)	1-7/8" (47.6mm)	2-1/8" (52.6mm)	2-1/16" (52mm)	2" (50.7mm)	2-11/16" (67.3mm)	2-1/16" (52mm)	2-1/4" (56.4mm)	3-1/2" (88mm)	2-7/8" (69.7mm)	1-7/16" (36.1mm)
Profondeur de montage	1-13/16" (44.6mm)	3-1/8" (77.8mm)	1-7/16" (35.7mm)	1-7/8" (46.8mm)	1-13/16" (45mm)	1-3/4" (43.9mm)	2-5/16" (68.5mm)	1-13/16" (45mm)	1-13/16" (44.6mm)	3-1/8" (77.8mm)	2-1/16" (51.5mm)	13/16" (20mm)

ESPECIFICAÇÕES	CLUB 6520	CLUB 9630	CLUB 3020	CLUB 4020	CLUB 5020	CLUB 6420	CLUB 8620	CLUB 5000C	CLUB 6500C	CLUB 9600C	CLUB 6522	CLUB 750T
Tip	Alto-parlante automotivo coaxial de 6-1/2" (160 mm)	Alto-parlante automotivo de três vias com 6" x 9"	Alto-parlante automotivo coaxial de 3-1/2" (87 mm)	Alto-parlante automotivo coaxial de 4" (100 mm)	Alto-parlante automotivo coaxial de 5-1/4" (130 mm)	Alto-parlante automotivo coaxial de 4" x 6"	Alto-parlante automotivo coaxial de 6" x 8"	Sistema de alto-parlantes componentes de 5-1/4" (130 mm)	Sistema de alto-parlantes componentes de 6" x 9"	Alto-parlante automotivo coaxial de 6-1/2" (160 mm)	Tweeter componente de 3/4" (19 mm)	
Potência máxima contínua	50W	80W	20W	30W	40W	35W	55W	55W	60W	90W	60W	45W
Potência máxima de pico	150W	240W	60W	90W	120W	105W	165W	165W	180W	270W	180W	135W
Resposta de frequência	55Hz-20kHz	50Hz-20kHz	90Hz-20kHz	75Hz-20kHz	75Hz-20kHz	75Hz-20kHz	65Hz-20kHz	55Hz-20kHz	55Hz-20kHz	53Hz-21kHz	3kHz-20kHz	3kHz-20kHz
Impedância nominal	3.0ohms	3.0ohms	3.0ohms	3.0ohms	3.0ohms	3.0ohms	3.0ohms	3.0ohms	3.0ohms	3.0ohms	3.0ohms	3.0ohms
Sensibilidade (2.83V/1m)	92dB	93dB	89dB	90dB	91dB	91dB	93dB	91dB	92dB	93dB	93dB	92dB
Diâmetro externo	6-1/4" (158mm)	9-5/16" x 6-7/16" (236.5mm x 163mm)	3-7/16" (87mm)	4-1/16" (102.4mm)	5-1/8" (129mm)	6-3/16" x 3-15/16" (157mm x 99.5mm)	8-1/16" x 5-5/8" (220mm x 142.2mm)	5-1/8" (129mm)	6-1/4" (158mm)	9-5/16" x 6-7/16" (236.5mm x 163mm)	6-1/4" (158mm)	2-1/4" (56mm)
Diâmetro de corte de montagem	4-7/8" (123.4mm)	8-1/2" x 5-3/4" (214.6mm x 144.6mm)	3" (75.5mm)	3-11/16" (82.1mm)	4-1/2" (113.6mm)	5-9/16" x 3-3/8" (140.4mm x 85.1mm)	7-1/4" x 5" (182.6mm x 125.6mm)	4-1/2" (113.6mm)	4-7/8" (123.4mm)	8-1/2" x 5-3/4" (214.6mm x 144.6mm)	5" (127mm)	1-5/8" (40mm)
Profundidade total	2-1/4" (56.4mm)	3-11/16" (82.7mm)	1-7/8" (47.6mm)	2-1/8" (52.6mm)	2-1/16" (52mm)	2" (50.7mm)	2-11/16" (67.3mm)	2-1/16" (52mm)	2-1/4" (56.4mm)	3-1/2" (88mm)	2-7/8" (69.7mm)	1-7/16" (36.1mm)
Profundidade de montagem	1-13/16" (44.6mm)	3-1/8" (77.8mm)	1-7/16" (35.7mm)	1-7/8" (46.8mm)	1-13/16" (45mm)	1-3/4" (43.9mm)	2-5/16" (68.5mm)	1-13/16" (45mm)	1-13/16" (44.6mm)	3-1/8" (77.8mm)	2-1/16" (51.5mm)	13/16" (20mm)

TECHNISCHE DATEN	CLUB 6520	CLUB 9630	CLUB 3020	CLUB 4020	CLUB 5020	CLUB 6420	CLUB 8620	CLUB 5000C	CLUB 6500C	CLUB 9600C	CLUB 6522	CLUB 750T
Typ	Koaxial Lautsprecher fürs Auto (160mm)	Drainage Lautsprecher Car Auto (8" x 9")	Koaxial Lautsprecher fürs Auto (87mm)	Koaxial Lautsprecher fürs Auto (100mm)	Koaxial Lautsprecher fürs Auto (130mm)	Koaxial Lautsprecher fürs Auto (4" x 6")	Koaxial Lautsprecher fürs Auto (6" x 8")	Component Lautsprecher-System (130mm)	Component Lautsprecher-System (150mm)	Component Lautsprecher-System (6" x 9")	LeistungsHörer Koaxial Lautsprecher fürs Auto (160mm)	Component Tweeter (19mm)
Kontinuierliche Leistung	50W	80W	20W	30W	40W	35W	55W	55W	60W	90W	60W	45W
Spitzenleistung	150W	240W	60W	90W	120W	105W	165W	165W	180W	270W	180W	135W
Frequenzbereich	55Hz-20kHz	50Hz-20kHz	90Hz-20kHz	75Hz-20kHz	75Hz-20kHz	75Hz-20kHz	65Hz-20kHz	55Hz-20kHz	55Hz-20kHz	53Hz-21kHz	3kHz-20kHz	3kHz-20kHz
Nennimpedanz	3.0ohms	3.0ohms	3.0ohms	3.0ohms	3.0ohms	3.0ohms	3.0ohms	3.0ohms	3.0ohms	3.0ohms	3.0ohms	3.0ohms
Empfindlichkeit (2.83V/1m)	92dB	93dB	89dB	90dB	91dB	91dB	93dB	91dB	92dB	93dB	93dB	92dB
Äußerer Durchmesser	6-1/4" (158mm)	9-5/16" x 6-7/16" (236.5mm x 163mm)	3-7/16" (87mm)	4-1/16" (102.4mm)	5-1/8" (129mm)	6-3/16" x 3-15/16" (157mm x 99.5mm)	8-1/16" x 5-5/8" (220mm x 142.2mm)	5-1/8" (129mm)	6-1/4" (158mm)	9-5/16" x 6-7/16" (236.5mm x 163mm)	6-1/4" (158mm)	2-1/4" (56mm)
Montageausschnitt-Durchmesser	4-7/8" (123.4mm)	8-1/2" x 5-3/4" (214.6mm x 144.6mm)	3" (75.5mm)	3-11/16" (82.1mm)	4-1/2" (113.6mm)	5-9/16" x 3-3/8" (140.4mm x 85.1mm)	7-1/4" x 5" (182.6mm x 125.6mm)	4-1/2" (113.6mm)	4-7/8" (123.4mm)	8-1/2" x 5-3/4" (214.6mm x 144.6mm)	5" (127mm)	1-5/8" (40mm)
Gesamtiefe	2-1/4" (56.4mm)	3-11/16" (82.7mm)	1-7/8" (47.6mm)	2-1/8" (52.6mm)	2-1/16" (52mm)	2" (50.7mm)	2-11/16" (67.3mm)	2-1/16" (52mm)	2-1/4" (56.4mm)	3-1/2" (88mm)	2-7/8" (69.7mm)	1-7/16" (36.1mm)
Montagetiefe	1-13/16" (44.6mm)	3-1/8" (77.8mm)	1-7/16" (35.7mm)	1-7/8" (46.8mm)	1-13/16" (45mm)	1-3/4" (43.9mm)	2-5/16" (68.5mm)	1-13/16" (45mm)	1-13/16" (44.6mm)	3-1/8" (77.8mm)	2-1/16" (51.5mm)	13/16" (20mm)

SPECIFICATIES	CLUB 6520	CLUB 9630	CLUB 3020	CLUB 4020	CLUB 5020	CLUB 6420	CLUB 8620	CLUB 5000C	CLUB 6500C	CLUB 9600C	CLUB 6522	CLUB 750T
Type	6-1/2" (160 mm) coaxial auto-luidspreker	6" x 9" drainage auto-luidspreker	3-1/2" (87 mm) coaxial auto-luidspreker	4" (100 mm) coaxial auto-luidspreker	5-1/4" (130 mm) coaxial auto-luidspreker	4" x 6" coaxial auto-luidspreker	6" x 8" coaxial auto-luidspreker	5-1/4" (130 mm) component luidsprekersysteem	6" x 9" component luidsprekersysteem	6-1/2" (160 mm) high performance coaxial auto-luidspreker	3/4" (19 mm) component tweeter	
Piekvermogen	50W	80W	20W	30W	40W	35W	55W	55W	60W	90W	60W	45W
Piekvermogen	150W	240W	60W	90W	120W	105W	165W	165W	180W	270W	180W	135W
Frequentiebereik	55Hz-20kHz	50Hz-20kHz	90Hz-20kHz	75Hz-20kHz	75Hz-20kHz	75Hz-20kHz	65Hz-20kHz	55Hz-20kHz				

ТЕХНИЧЕСКИЕ ХАРАКТЕРИСТИКИ	CLUB 6520	CLUB 9630	CLUB 3020	CLUB 4020	CLUB 5020	CLUB 6420	CLUB 8620	CLUB 5000C	CLUB 6500C	CLUB 9600C	CLUB 6522	CLUB 750T
Тип	Косильный автомобильный динамик (размер 90 мм (3 1/2 дюйма))	Трёхполосный автомобильный динамик (размер 90 мм (3 1/2 дюйма))	Косильный автомобильный динамик (размер 90 мм (3 1/2 дюйма))	Косильный автомобильный динамик (размер 100 мм (4 дюйма))	Косильный автомобильный динамик (размер 100 мм (4 дюйма))	Косильный автомобильный динамик (размер 100 мм (4 дюйма))	Косильный автомобильный динамик (размер 100 мм (4 дюйма))	Косильный автомобильный динамик (размер 100 мм (4 дюйма))	Косильный автомобильный динамик (размер 100 мм (4 дюйма))	Косильный автомобильный динамик (размер 100 мм (4 дюйма))	Косильный автомобильный динамик (размер 100 мм (4 дюйма))	Косильный автомобильный динамик (размер 100 мм (4 дюйма))
Постоянная мощность	50W	80W	20W	30W	40W	35W	55W	55W	60W	90W	60W	45W
Пиковая мощность	150W	240W	60W	90W	120W	105W	165W	165W	180W	270W	180W	135W
Эффективный рабочий диапазон частот	55Hz - 20kHz	50Hz - 20kHz	90Hz - 20kHz	75Hz - 20kHz	75Hz - 20kHz	75Hz - 20kHz	65Hz - 20kHz	70Hz - 20kHz	55Hz - 20kHz	50Hz - 20kHz	53Hz - 21kHz	3kHz - 20kHz
Импеданс	3.0ohms	3.0ohms	3.0ohms	3.0ohms	3.0ohms	3.0ohms	3.0ohms	3.0ohms	3.0ohms	3.0ohms	3.0ohms	3.0ohms
Номинальный импеданс	3.0ohms	3.0ohms	3.0ohms	3.0ohms	3.0ohms	3.0ohms	3.0ohms	3.0ohms	3.0ohms	3.0ohms	3.0ohms	3.0ohms
Устойчивость (2.83V/1m)	92dB	93dB	89dB	90dB	91dB	91dB	93dB	91dB	92dB	93dB	93dB	92dB
Внешний диаметр	6-1/4" (158mm)	9-5/16" X 6-7/16" (236.5mm X 163mm)	3-7/16" (87mm)	4-1/16" (102.4mm)	5-1/8" (129mm)	6-3/16" X 3-15/16" (157mm X 99.5mm)	8-1/16" X 5-5/8" (220mm X 142.2mm)	5-1/8" (129mm)	6-1/4" (158mm)	9-5/16" X 6-7/16" (236.5mm X 163mm)	6-1/4" (158mm)	2-1/4" (56mm)
Диаметр выемки для установки	4-7/8" (123.4mm)	8-1/2" X 5-3/4" (214.6mm X 144.6mm)	3" (75.5mm)	3-11/16" (92.1mm)	4-1/2" (113.6mm)	5-9/16" X 3-3/8" (140.4mm X 85.1mm)	7-1/4" X 5" (182.6mm X 125.6mm)	4-1/2" (113.6mm)	4-7/8" (123.4mm)	8-1/2" X 5-3/4" (214.6mm X 144.6mm)	5" (127mm)	1-5/8" (40mm)
Общая глубина	2-1/4" (56.4mm)	3-11/16" (92.7mm)	1-7/8" (47.6mm)	2-1/8" (52.6mm)	2-1/16" (52mm)	2" (50.7mm)	2-11/16" (67.3mm)	2-1/16" (52mm)	2-1/4" (56.4mm)	3-1/2" (88mm)	2-7/8" (69.7mm)	1-7/16" (36.1mm)
Глубина установки	1-13/16" (44.6mm)	3-1/8" (77.8mm)	1-7/16" (35.7mm)	1-7/8" (46.8mm)	1-13/16" (45mm)	1-3/4" (43.9mm)	2-5/16" (68.5mm)	1-13/16" (45mm)	1-13/16" (44.6mm)	3-1/8" (77.8mm)	2-1/16" (51.5mm)	13/16" (20mm)

仕様書	CLUB 6520	CLUB 9630	CLUB 3020	CLUB 4020	CLUB 5020	CLUB 6420	CLUB 8620	CLUB 5000C	CLUB 6500C	CLUB 9600C	CLUB 6522	CLUB 750T
型	6-1/2インチ(160mm) 同軸カースピーカー	6インチx6インチ(152mm x 152mm) エイカーズピーカー	3-1/2インチ(87mm) 同軸カースピーカー	4インチ(100mm) 同軸カースピーカー	5-1/4インチ(130mm) 同軸カースピーカー	4インチx6インチ(101mm x 152mm) 同軸カースピーカー	6インチx6インチ(152mm x 152mm) コンポーネントシステム	5-1/4インチ(130mm) コンポーネントシステム	6-1/2インチ(160mm) コンポーネントシステム	6-1/2インチ(160mm) コンポーネントシステム	6-1/2インチ(160mm) コンポーネントシステム	3-1/4インチ(90mm) コンポーネントシステム
連続許容入力	50W	80W	20W	30W	40W	35W	55W	55W	60W	90W	60W	45W
ピーク許容入力	150W	240W	60W	90W	120W	105W	165W	165W	180W	270W	180W	135W
周波数特性	55Hz-20kHz	50Hz-20kHz	90Hz-20kHz	75Hz-20kHz	75Hz-20kHz	75Hz-20kHz	65Hz-20kHz	70Hz-20kHz	55Hz-20kHz	50Hz-20kHz	53Hz-21kHz	3kHz-20kHz
公称インピーダンス	3.0ohms	3.0ohms	3.0ohms	3.0ohms	3.0ohms	3.0ohms	3.0ohms	3.0ohms	3.0ohms	3.0ohms	3.0ohms	3.0ohms
感度(2.83V/1m)	92dB	93dB	89dB	90dB	91dB	91dB	93dB	91dB	92dB	93dB	93dB	92dB
外部直径	6-1/4" (158mm)	9-5/16" X 6-7/16" (236.5mm X 163mm)	3-7/16" (87mm)	4-1/16" (102.4mm)	5-1/8" (129mm)	6-3/16" X 3-15/16" (157mm X 99.5mm)	8-1/16" X 5-5/8" (220mm X 142.2mm)	5-1/8" (129mm)	6-1/4" (158mm)	9-5/16" X 6-7/16" (236.5mm X 163mm)	6-1/4" (158mm)	2-1/4" (56mm)
取り付けカットアウト直径	4-7/8" (123.4mm)	8-1/2" X 5-3/4" (214.6mm X 144.6mm)	3" (75.5mm)	3-11/16" (92.1mm)	4-1/2" (113.6mm)	5-9/16" X 3-3/8" (140.4mm X 85.1mm)	7-1/4" X 5" (182.6mm X 125.6mm)	4-1/2" (113.6mm)	4-7/8" (123.4mm)	8-1/2" X 5-3/4" (214.6mm X 144.6mm)	5" (127mm)	1-5/8" (40mm)
トールクルの寸法	2-1/4" (56.4mm)	3-11/16" (92.7mm)	1-7/8" (47.6mm)	2-1/8" (52.6mm)	2-1/16" (52mm)	2" (50.7mm)	2-11/16" (67.3mm)	2-1/16" (52mm)	2-1/4" (56.4mm)	3-1/2" (88mm)	2-7/8" (69.7mm)	1-7/16" (36.1mm)
埋め込み寸法	1-13/16" (44.6mm)	3-1/8" (77.8mm)	1-7/16" (35.7mm)	1-7/8" (46.8mm)	1-13/16" (45mm)	1-3/4" (43.9mm)	2-5/16" (68.5mm)	1-13/16" (45mm)	1-13/16" (44.6mm)	3-1/8" (77.8mm)	2-1/16" (51.5mm)	13/16" (20mm)

DANE TECHNICZNE	CLUB 6520	CLUB 9630	CLUB 3020	CLUB 4020	CLUB 5020	CLUB 6420	CLUB 8620	CLUB 5000C	CLUB 6500C	CLUB 9600C	CLUB 6522	CLUB 750T
Wzrostaj	wspolosiowy głośnik samochodowy 160 mm (6-1/2")	trójzónowy głośnik samochodowy 6" x 6" (152 x 152 mm)	wspolosiowy głośnik samochodowy 87 mm (3-1/2")	wspolosiowy głośnik samochodowy 100 mm (4")	wspolosiowy głośnik samochodowy 130 mm (5-1/4")	wspolosiowy głośnik samochodowy 4" x 6" (101 x 152 mm)	wspolosiowy głośnik samochodowy 6" x 6" (152 x 152 mm)	zestaw głośnikowy 5-1/4" (130 mm)	zestaw głośnikowy 6-1/2" (160 mm)	zestaw głośnikowy 6" x 6" (152 x 152 mm)	wysokiej jakości wspolosiowy głośnik samochodowy 160 mm (6-1/2")	głośnik samochodowy 90 mm (3-1/4")
Moc (ciągła)	50W	80W	20W	30W	40W	35W	55W	55W	60W	90W	60W	45W
Moc (szczytowa)	150W	240W	60W	90W	120W	105W	165W	165W	180W	270W	180W	135W
Przebieg przeniesienia	55Hz-20kHz	50Hz-20kHz	90Hz-20kHz	75Hz-20kHz	75Hz-20kHz	75Hz-20kHz	65Hz-20kHz	70Hz-20kHz	55Hz-20kHz	50Hz-20kHz	53Hz-21kHz	3kHz-20kHz
Impedancja znamionowa	3.0ohms	3.0ohms	3.0ohms	3.0ohms	3.0ohms	3.0ohms	3.0ohms	3.0ohms	3.0ohms	3.0ohms	3.0ohms	3.0ohms
Elektryczna przędy (2.83 V/1 m)	92dB	93dB	89dB	90dB	91dB	91dB	93dB	91dB	92dB	93dB	93dB	92dB
Średnica zewnętrzna	6-1/4" (158mm)	9-5/16" X 6-7/16" (236.5mm X 163mm)	3-7/16" (87mm)	4-1/16" (102.4mm)	5-1/8" (129mm)	6-3/16" X 3-15/16" (157mm X 99.5mm)	8-1/16" X 5-5/8" (220mm X 142.2mm)	5-1/8" (129mm)	6-1/4" (158mm)	9-5/16" X 6-7/16" (236.5mm X 163mm)	6-1/4" (158mm)	2-1/4" (56mm)
Średnica wycięcia do montażu	4-7/8" (123.4mm)	8-1/2" X 5-3/4" (214.6mm X 144.6mm)	3" (75.5mm)	3-11/16" (92.1mm)	4-1/2" (113.6mm)	5-9/16" X 3-3/8" (140.4mm X 85.1mm)	7-1/4" X 5" (182.6mm X 125.6mm)	4-1/2" (113.6mm)	4-7/8" (123.4mm)	8-1/2" X 5-3/4" (214.6mm X 144.6mm)	5" (127mm)	1-5/8" (40mm)
Całkowita głębokość	2-1/4" (56.4mm)	3-11/16" (92.7mm)	1-7/8" (47.6mm)	2-1/8" (52.6mm)	2-1/16" (52mm)	2" (50.7mm)	2-11/16" (67.3mm)	2-1/16" (52mm)	2-1/4" (56.4mm)	3-1/2" (88mm)	2-7/8" (69.7mm)	1-7/16" (36.1mm)
Głębokość montażowa	1-13/16" (44.6mm)	3-1/8" (77.8mm)	1-7/16" (35.7mm)	1-7/8" (46.8mm)	1-13/16" (45mm)	1-3/4" (43.9mm)	2-5/16" (68.5mm)	1-13/16" (45mm)	1-13/16" (44.6mm)	3-1/8" (77.8mm)	2-1/16" (51.5mm)	13/16" (20mm)

规格	CLUB 6520	CLUB 9630	CLUB 3020	CLUB 4020	CLUB 5020	CLUB 6420	CLUB 8620	CLUB 5000C	CLUB 6500C	CLUB 9600C	CLUB 6522	CLUB 750T
型号	6-1/2" (160mm) 同轴汽车喇叭	6" x 6" 三频汽车喇叭	3-1/2" (87mm) 同轴汽车喇叭	4" (100mm) 同轴汽车喇叭	5-1/4" (130mm) 同轴汽车喇叭	4" x 6" 同轴汽车喇叭	6" x 6" 同轴汽车喇叭	5-1/4" (130mm) 元件喇叭系统	6-1/2" (160mm) 元件喇叭系统	6" x 6" 元件高音喇叭	6-1/2" (160mm) 高性能同轴汽车喇叭	3/4" (90mm) 分体式高音喇叭
連續功率處理	50W	80W	20W	30W	40W	35W	55W	55W	60W	90W	60W	45W
峰值的功率處理	150W	240W	60W	90W	120W	105W	165W	165W	180W	270W	180W	135W
頻率響應	55Hz-20kHz	50Hz-20kHz	90Hz-20kHz	75Hz-20kHz	75Hz-20kHz	75Hz-20kHz	65Hz-20kHz	70Hz-20kHz	55Hz-20kHz	50Hz-20kHz	53Hz-21kHz	3kHz-20kHz
標稱阻抗	3.0ohms	3.0ohms	3.0ohms	3.0ohms	3.0ohms	3.0ohms	3.0ohms	3.0ohms	3.0ohms	3.0ohms	3.0ohms	3.0ohms
灵敏度 (2.83V/1m)	92dB	93dB	89dB	90dB	91dB	91dB	93dB	91dB	92dB	93dB	93dB	92dB
外形	6-1/4" (158mm)	9-5/16" X 6-7/16" (236.5mm X 163mm)	3-7/16" (87mm)	4-1/16" (102.4mm)	5-1/8" (129mm)	6-3/16" X 3-15/16" (157mm X 99.5mm)	8-1/16" X 5-5/8" (220mm X 142.2mm)	5-1/8" (129mm)	6-1/4" (158mm)	9-5/16" X 6-7/16" (236.5mm X 163mm)	6-1/4" (158mm)	2-1/4" (56mm)
安裝開孔直徑	4-7/8" (123.4mm)	8-1/2" X 5-3/4" (214.6mm X 144.6mm)	3" (75.5mm)	3-11/16" (92.1mm)	4-1/2" (113.6mm)	5-9/16" X 3-3/8" (140.4mm X 85.1mm)	7-1/4" X 5" (182.6mm X 125.6mm)	4-1/2" (113.6mm)	4-7/8" (123.4mm)	8-1/2" X 5-3/4" (214.6mm X 144.6mm)	5" (127mm)	1-5/8" (40mm)
總深度	2-1/4" (56.4mm)	3-11/16" (92.7mm)	1-7/8" (47.6mm)	2-1/8" (52.6mm)	2-1/16" (52mm)	2" (50.7mm)	2-11/16" (67.3mm)	2-1/16" (52mm)	2-1/4" (56.4mm)	3-1/2" (88mm)	2-7/8" (69.7mm)	1-7/16" (36.1mm)
安裝深度	1-13/16" (44.6mm)	3-1/8" (77.8mm)	1-7/16" (35.7mm)	1-7/8" (46.8mm)	1-13/16" (45mm)	1-3/4" (43.9mm)	2-5/16" (68.5mm)	1-13/16" (45mm)	1-13/16" (44.6mm)	3-1/8" (77.8mm)	2-1/16" (51.5mm)	13/16" (20mm)

SPESIFIKASI	CLUB 6520	CLUB 9630	CLUB 3020	CLUB 4020	CLUB 5020	CLUB 6420	CLUB 8620	CLUB 5000C	CLUB 6500C	CLUB 9600C	CLUB 6522	CLUB 750T
Typ	Speaker mobil koaksial 6-1/2" (160mm)	Speaker mobil tiga jalur 6" x 6" (152 x 152 mm)	Speaker mobil koaksial 3-1/2" (87mm)	Speaker mobil koaksial 4" (100mm)	Speaker mobil koaksial 5-1/4" (130mm)	Speaker mobil koaksial 4" x 6" (101 x 152 mm)	Speaker mobil koaksial 6" x 6" (152 x 152 mm)	Sistem speaker komponen 5-1/4" (130mm)	Sistem speaker komponen 6-1/2" (160mm)	Sistem speaker komponen 6" x 6" (152 x 152 mm)	Speaker mobil koaksial performa tinggi 6-1/2" (160mm)	Tweeter komponen 3/4" (90mm)
Penanganan daya kontinu	50W	80W	20W	30W	40W	35W	55W	55W	60W	90W	60W	45W
Penanganan daya puncak	150W	240W	60W	90W	120W	105W	165W	165W	180W	270W	180W	135W
Respons frekuensi	55Hz-20kHz	50Hz-20kHz	90Hz-20kHz	75Hz-20kHz	75Hz-20kHz	75Hz-20kHz	65Hz-20kHz	70Hz-20kHz	55Hz-20kHz	50Hz-20kHz	53Hz-21kHz	3kHz-20kHz
Impedansi Nominal	3.0ohms	3.0ohms	3.0ohms	3.0ohms	3.0ohms	3.0ohms	3.0ohms	3.0ohms	3.0ohms	3.0ohms	3.0ohms	3.0ohms
Sensitivitas (2.83V/1m)	92dB	93dB	89dB	90dB	91dB	91dB	93dB	91dB	92dB	93dB	93dB	92dB
Diameter eksternal	6-1/4" (158mm)	9-5/16" X 6-7/16" (236.5mm X 163mm)	3-7/16" (87mm)	4-1/16" (102.4mm)	5-1/8" (129mm)	6-3/16" X 3-15/16" (157mm X 99.5mm)	8-1/16" X 5-5/8" (220mm X 142.2mm)	5-1/8" (129mm)	6-1/4" (158mm)	9-5/16" X 6-7/16" (236.5mm X 163mm)	6-1/4" (158mm)	2-1/4" (56mm)
Diameter potongan dudukan	4-7/8" (123.4mm)	8-1/2" X 5-3/4" (214.6mm X 144.6mm)	3" (75.5mm)	3-11/16" (92.1mm)	4-1/2" (113.6mm)	5-9/16" X 3-3/8" (140.4mm X 85.1mm)	7-1/4" X 5" (182.6mm X 125.6mm)	4-1/2" (113.6mm)	4-7/8" (123.4mm)	8-1/2" X 5-3/4" (214.6mm X 144.6mm)	5" (127mm)	1-5/8" (40mm)
Kedalaman total	2-1/4" (56.4mm)	3-11/16" (92.7mm)	1-7/8" (47.6mm)	2-1/8" (52.6mm)	2-1/16" (52mm)	2" (50.7mm)	2-11/16" (67.3mm)	2-1/16" (52mm)	2-1/4" (56.4mm)	3-1/2" (88mm)	2-7/8" (69.7mm)	1-7/16" (36.1mm)
Kedalaman dudukan	1-13/16" (44.6mm)	3-1/8" (77.8mm)	1-7/16" (35.7mm)	1-7/8" (46.8mm)	1-13/16" (45mm)	1-3/4" (43.9mm)	2-5/16" (68.5mm)	1-13/16" (45mm)	1-13/16" (44.6mm)	3-1/8" (77.8mm)	2-1/16" (51.5mm)	13/16" (20mm)

SPECIFIKATIONER	CLUB 6520	CLUB 9630	CLUB 3020	CLUB 4020	CLUB 5020	CLUB 6420	CLUB 8620	CLUB 5000C	CLUB 6500C	CLUB 9600C	CLUB 6522	CLUB 750T
Type	6-1/2" (160 mm) koaksial bilhøjttaler	6" x 6" 3-vejs koaksial bilhøjttaler	3-1/2" (87 mm) koaksial bilhøjttaler	4" (100 mm) koaksial bilhøjttaler	5-1/4" (130 mm) koaksial bilhøjttaler	4" x 6" koaksial bilhøjttaler	6" x 6" koaksial bilhøjttaler	5-1/4" (130 mm) komponent højttalersystem	6-1/2" (160 mm) komponent højttalersystem	6" x 6" komponent højttalersystem	6-1/2" (160 mm) koaksial bilhøjttaler med 1 1/2" tweeter	3/4" (19 mm) komponent diskant
Kontinuerlig effektkapacitet	50W	80W	20W	30W	40W	35W	55W	55W	60W	90W	60W</	