

sygonix®

- (GB)** Operating Instructions
Mini weatherproof RFID access control IP66
Item No. 2299890 Page 2 - 51
- (F)** Notice d'emploi
Module miniature de contrôle d'accès RFID, protégé contre les intempéries (IP66)
N° de commande 2299890 Page 52 - 105
- (NL)** Gebruiksaanwijzing
Mini weerbestendige RFID-toegangscontrole IP66
Bestelnr. 2299890 Pagina 106 - 157
- (I)** Istruzioni
Lettore di schede RFID IP66
N°.: 2299890 Pagina 158 - 211
- (PL)** Instrukcja użytkowania
Czytnik kart RFID: IP66.
Nr zamówienia: 2299890 Strona 212 - 266



Table of contents



	Page
1. Introduction.....	4
2. Description of symbols	5
3. Intended use.....	5
4. Features and functions.....	7
5. Safety information	8
a) General information.....	8
b) Connected devices.....	10
c) Persons and product.....	10
d) Battery.....	11
6. Product overview.....	12
7. Installation and connection.....	13
a) Installation.....	13
8. Connection cable.....	15
a) Connection.....	16
b) Circuit diagrams	18
c) Door opener design.....	20
9. Operation.....	21
a) Remote control.....	21
b) Code lock	21

10. Remote control	22
11. Programming.....	22
a) General information.....	22
b) Entering/exiting programming mode	23
c) Changing the master code.....	25
d) Adding user transponders.....	26
e) Deleting user transponders.....	33
f) Deleting all user data	36
g) Security function for invalid access attempts	38
h) Setting the alarm duration.....	40
i) Configuring audible alerts	41
j) Configuring visual warnings	42
k) Using the master transponder.....	43
l) Restoring factory settings.....	45
12. Operation.....	46
a) Activating the changeover contact (opening and closing the door).....	46
b) Stopping the alarm / switching off the alarm	47
13. Audible and visual signals	47
14. Care and cleaning	49
15. Declaration of Conformity (DOC).....	49
16. Disposal.....	50
17. Technical data	50

1. Introduction

Dear customer,

Thank you for purchasing this product.

This product complies with statutory, national and European regulations.

To ensure that the product remains in this state and to guarantee safe operation, always follow the instructions in this manual.



These operating instructions are part of this product. They contain important information on setting up and using the product. Do not give this product to a third party without the operating instructions. Keep these operating instructions in a safe place for future reference.

If there are any technical questions, please contact:

www.conrad.com/contact

2. Description of symbols



The symbol with the lightning in a triangle indicates that there is a risk to your health, e.g. due to an electric shock.



The symbol with an exclamation mark in a triangle is used to highlight important information in these operating instructions. Always read this information carefully.



The arrow symbol indicates special information and tips on how to use the product.

3. Intended use

This product is designed to prevent unauthorised access to doors (e.g. in an office) and to activate/disable alarm systems. A maximum of 2000 users with different transponders (EM user cards) can be stored.

Suitable transponders can be used to control the device. When you hold an added transponder in front of the code lock, a potential-free changeover contact will be activated (see "Technical data" for the specified contact rating). This can be used, for example, to control a door opener or an alarm system. The product is designed for indoor and outdoor use (IP66). It also features a relay output (1x switch contact, max. 24 V/DC, 2 A), which can be used to control a door opener or other devices (e.g.

an alarm system). The code lock must be powered with a 9-24 V/ DC power supply.

For safety and approval purposes, do not rebuild and/or modify this product. Using the product for purposes other than those described above may damage the product. In addition, improper use can cause hazards such as a short circuit, fire or electric shock. Read the operating instructions carefully and store them in a safe place. Only make this product available to third parties together with its operating instructions.

All company and product names contained herein are trademarks of their respective owners. All rights reserved.

Package contents

- Transponder code lock (reads RFID cards for authorization)
- Remote control with 1x CR2025 battery
- 1x diode
- 2x screws
- 2x dowels
- 1x hex key
- 1x "Master Add Card" master transponder
- 1x "Master Delete Card" master transponder
- Programming overview
- User manual

Up-to-date operating instructions

Download the latest operating instructions at www.conrad.com/downloads or scan the QR code shown. Follow the instructions on the website.



4. Features and functions

- Vandal-proof metal housing
- IP66 protection rating (weatherproof)
- Transponder card access
- Add up to 2000 user transponders
- One relay output
- Sabotage alarm (sounds when the housing is opened in an unauthorized manner)
- Choose between timer or toggle mode
- Multi-coloured LED status indicator

5. Safety information



Read the operating instructions carefully and especially observe the safety information. If you do not follow the safety information and information on proper handling in these operating instructions, we will assume no liability for any resulting personal injury or damage to property. Such cases will invalidate the warranty/guarantee.

a) General information

- This product is not a toy. Keep it out of the reach of children and pets.
- Do not leave packaging material lying around carelessly. It may become a dangerous toy for children.
- Protect the product from extreme temperatures, direct sunlight, strong jolts, high humidity, moisture, flammable gases, vapours and solvents.
- Do not place the product under any mechanical stress.



- If it is no longer possible to operate the product safely, stop using it and prevent unauthorised use. Safe operation can no longer be guaranteed if the product:
 - is visibly damaged,
 - is no longer working properly,
 - has been stored for extended periods in poor ambient conditions or
 - has been subjected to any serious transport-related stress.
- Handle the product carefully. Jolts, impacts or a fall even from a low height may damage the product.
- Consult a technician if you are not sure how to use or connect the product, or if you have concerns about safety.
- Maintenance, modifications and repairs may only be carried out by a technician or a specialist repair centre.
- If you have questions which remain unanswered by these operating instructions, contact our technical support service or other technical personnel.



b) Connected devices

- Always observe the safety information and operating instructions of any other devices which are connected to the product.

c) Persons and product

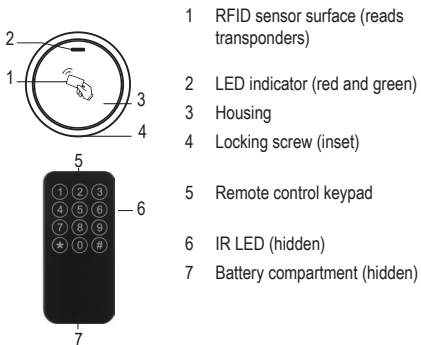
- Never pour any liquids over electrical devices or put objects filled with liquid next to the device. If liquid or an object does enter the interior of the device, switch off the power supply (e.g. switch off the circuit breaker). Discontinue use and take the product to a specialist repair centre.
- Never use the product immediately after it has been taken from a cold room into to a warm one. This may cause condensation to form, which can destroy the product. Allow the product to reach room temperature before connecting it and putting it into use. This may take several hours.
- The relay switch contact has a maximum contact rating of 24 V/DC, 2 A. It may never be used with a higher voltage, other type of voltage (e.g. mains voltage) or high currents. This may cause a fatal electric shock!



d) Battery

- Ensure that the battery is inserted in the correct polarity (observe the plus/+ and minus/- signs).
- To prevent battery leakage, remove the batteries if you do not plan to use the product for an extended period. Leaking or damaged batteries may cause acid burns if they come into contact with your skin. Always use protective gloves when handling damaged batteries.
- Keep batteries out of the reach of children. Do not leave batteries lying around, as there is a risk that children or pets may swallow them. Seek immediate medical attention if a battery is swallowed. Risk of death!
- Batteries must not be dismantled, short-circuited or thrown into fire. Never recharge non-rechargeable batteries. This may cause an explosion!
- Always store batteries in a suitable location that is not prone to damage. For details on how to dispose of batteries in an environmentally friendly manner, refer to the "Disposal" section.

6. Product overview



7. Installation and connection

a) Installation



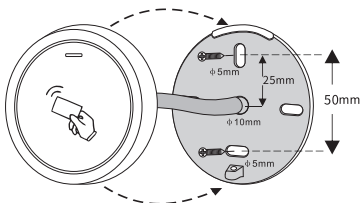
Ensure that the connection cables are not kinked or squashed. This can cause malfunctions, short circuits and device defects. Do not connect the cables when the product is connected to a power supply.

- Remove the top part of the housing with the RFID sensor from the mounting plate. To do this, unscrew the locking screw (4) on the bottom with the hex key provided, and then remove the upper part of the housing.
- Use the mounting plate as a template; place it vertically on the mounting surface and mark the two fixing holes.
- Drill the holes and, depending on the mounting surface, insert the dowels (included). On wood or metal surfaces, the dowels are not required.



Use the fixing screws, and if necessary, the dowels provided to secure the housing (when securing to walls). Ensure that no cables or wires are damaged when drilling holes or tightening screws.

- Hang the mounting plate on the wall. The connection cable should be fed through the cable feed in the middle of the rear panel.



- Connect the product to the screw terminals. For more information, refer to section 8. "a) Connection".
- Wire the connection cables according to the following circuit examples. Ensure that there is suitable insulation (e.g. heat shrink tubing).
- A protective diode is included for connecting a door opener. This protects the code lock from damage caused by voltage peaks.
- Pay attention to the correct polarity. Refer to following connection examples (the white ring on the protective diode must point in the direction of the positive terminal/+ when connecting).



Caution! Never switch the mains voltage via the potential-free changeover contact! This may cause a fatal electric shock! Refer to the "Technical data" section for information on the permissible contact rating.

- Use suitable cables with different colours. Note the colours and store this information together with these instructions. When connecting the cables, pay attention to the correct polarity (plus/+ and minus/-).
- Attach the code lock to the mounting plate. Ensure that the cables are not pinched. The code lock can be fixed to the mounting plate using the fixing screw (4) on the bottom. Use the hex key provided, which is designed for the fixing screw.

8. Connection cable

Colour	Function
Red	Positive pole up to 9 - 24 V/DC (regulated)
Black	Negative pole ground connection (GND)
White	N.O. contact for relay in fail-secure configuration (N.O.)
Brown	COM contact of the relay
Green	N.C. connection for relay in fail-safe configuration (N.C.)
Yellow	Connection for the opening button

Connection for operating voltage (wires: Red + black)

The power supply (24 V/DC) must be connected here. Pay attention to the correct polarity. The code lock requires a current of max. 100 mA. It also requires power for the alarm output siren (up to 2 A).

Potential-free changeover contact (wires: white + brown + green)

The potential-free changeover contact (see "Technical data" section for contact rating) is activated in the event of a successful access attempt (correct transponder card). The switch-on duration can be programmed (max. 99 seconds). Toggle operation is also possible.

Input for separate door opener button (wire: yellow)

The potential-free changeover contact can be activated by pressing a button (NO contact). For example, it can be used for manual activation of a door opener. If you need to connect more than one button, connect them in parallel.

a) Connection

- Connect the cables to the corresponding screw terminals on the code lock. Two circuit examples are shown in section "b) Circuit diagrams".

- A direct voltage of up to 24 V must be used for the power supply. The DC voltage must be located at the place of installation (e.g. bell transformer or plug-in power supply unit). When using a DC voltage, ensure that the cables are connected in the correct polarity (observe the positive/+ and negative/- markings).

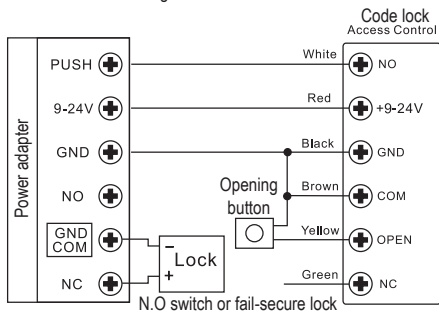
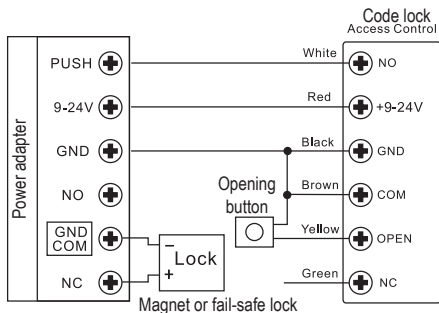


Never connect a mains voltage here! Risk of fatal electric shock!

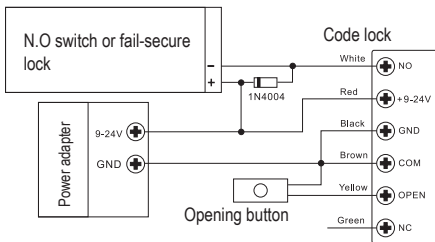
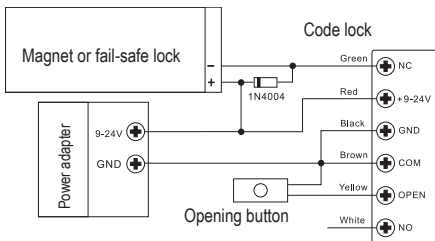
- The "OPEN" and "COM" screw terminals can be used to connect a door opener, which can be placed inside the room next to the door. If required, you can also connect additional buttons for other door openers in parallel.
- Always connect the earth, as this prevents ESD (electrostatic discharge) or interference that may cause the code lock to malfunction.
- The diode should be connected as close as possible to the N.O. contacts. This prevents a current from being generated in the N.O contact coil due to mutual induction, which may damage the code lock.
- Place the code lock on the lower section when you have finished with the connections. Ensure that the cables are not squashed, and check that they have not become detached from the screw terminals.
- If necessary, use cable ties to fasten and organize the cables.
- Turn on the power supply. The red LED indicator (standby) will turn on.

b) Circuit diagrams

Special power supply for access control systems:



Power supply via standard power adapter



→ A diode (1N4004) must be installed when using a standard power adapter for the relay and code lock, otherwise the code lock may be damaged.

c) Door opener design

The code lock can be used with fail-safe or fail-secure door openers. Pay attention to the following during the connection process.

- "Fail-secure" door openers: Fail-secure door openers release the latch when the power supply delivers a voltage (standard door opener type).
- "Fail-safe" door openers: Fail-safe door openers release the latch when the power supply stops delivering a voltage (non-standard door opener type, used for emergency exit doors so that the door opens in the event of a power cut).

→ The connection steps for this code lock depend on the type of door opener you wish to use. Refer to section "a) Connection" for information on which contacts the door opener should be connected to.

→ Check which type of door opener you wish to use. A fail-secure door opener requires relatively high currents for short periods in order to open the door and is therefore not designed to be subjected to continuous loads.

9. Operation

a) Remote control

- If a small transparent plastic strip protrudes from the bottom of the IR remote control, the battery is already inserted. Pull the plastic strip out of the IR remote control. The remote control will then be ready for use.
 - Change the battery when the code lock stops responding to the remote control under normal conditions (and you are sure that the infrared sensor (5) is clean and that there are no obstructions).
 - To change the battery, pull out the battery holder (7) on the bottom of the IR remote control. Replace the depleted battery (1x CR2025) with a new one. Push the correctly oriented battery holder back into the IR remote control (the plus pole/+ of the battery should point towards the bottom of the IR remote control).
- A battery change is required if the range decreases significantly over time or the code lock stops responding to the remote control.

b) Code lock

- After completing the installation and connection process, switch on the operating voltage.
- The code lock will emit a short beep. The LED indicator on the top of the code lock will be bright red.

10. Remote control



Number keys 0 to 9

Asterisk key

Hash key

The remote control is used to program the code lock by pressing a button. If a digit is requested in the following section, use the corresponding button on the remote control.

- Point the remote control in the direction of the code lock to make settings and program users.
- Press the designated button as described.
- The code lock will beep to confirm each entry.

11. Programming

a) General information

- Program the code lock at the installation location/ before mounting to reduce the installation time.

Do not disconnect the code lock from the power supply during programming. This may result in memory errors and result in the existing data/settings being lost. Note the following important information:

- The master code is required to enter programming mode. By default, the master code is "123456".

→ Digits for programming should be entered via the buttons on the remote control.

- Each user can be assigned a specific user ID (this is a number from 1 to 2000, without "0" at the beginning). The adding and saving of transponders is also possible without entering a user ID (the code lock assigns it automatically). In this case, however, a specific user can only be deleted if their transponder is still available.
- We therefore recommend that you also assign a user ID for each transponder that you want to add to the code lock.
- The user ID should be recorded in a list together with other data (employee name, access via transponder).
- Any standard EM transponder which works with a transponder frequency of 125 kHz can be used as a transponder.

b) Entering/exiting programming mode

To enter programming mode, you need to enter the master code using the IR remote control. By default (default factory settings or after a reset), the master code is "123456".

→ In the following programming examples, "123456" is used as the master code (this is the default master code in the factory settings).

Change the master code as soon as possible – no later than when you have finished the programming steps.

Entering programming mode:

- The LED indicator (2) on the top of the code lock must turn red to indicate that the code lock is in standby mode.
- Press the key. Once the code lock has detected the IR signal from the remote control, the LED indicator on the code lock will flash red (the code lock will automatically return to standby mode after 5 seconds without any further input (LED indicator (2) turns red).
- Enter the master code ("123456": by default):
- Press the key to confirm your entry.

→ The master code "123456" must be changed as described in section 11 "Programming", "c) Changing the master code" before the code lock is placed into regular use.

- The code lock will emit a beep and the LED indicator (2) will briefly turn red. The LED indicator (2) will then turn orange. Programming mode is now enabled.

Exiting programming mode:

- Press the **[*]** key. The LED indicator (2) will stay constant red.

→ Programming mode exits automatically after 30 seconds if no programming commands are made. The code lock will then return to standby mode (the LED indicator (2) will turn red).

c) Changing the master code

- The code lock must be in standby mode and the LED indicator (2) must be red.
- Enable programming mode (see section 11 "Programming", "b) Enabling/exiting programming mode". The LED indicator (2) will then flash red.

Example: **[*]** **[1]** **[2]** **[3]** **[4]** **[5]** **[6]** **[#]** (factory setting)

- Press the **[0]** key. The LED indicator (2) will turn orange.
- Enter the new master code,
e.g.: **[4]** **[5]** **[6]** **[7]** **[8]** **[9]**

→ The master code must always consist of six digits.

- Press the **[#]** key to confirm your entry. Enter the new master code again to confirm:

[4] **[5]** **[6]** **[7]** **[8]** **[9]**

- Press the **[#]** key to confirm your entry. The LED indicator (2) will briefly light up green to confirm your entry before flashing red.

- Press the **[*]** key to exit programming mode. The LED indicator (2) will switch to constant red to indicate that the code lock is in standby mode.

d) Adding user transponders

General information:

- User transponders can be assigned to a specific user ID (a number from **[1]** to **[2][0][0][0]**, without "0" at the beginning).
- User transponders can also be added without a user ID. This speeds up the process.
- If a user ID is not specified when a transponder is added, the code lock will automatically assign the next available user ID. However, it will not then be possible to determine which ID was assigned.



If you do not assign a specific user ID to a user and record it in a list, this can lead to problems later.

If an employee leaves the company or loses a user transponder, you will not know which user ID to delete.

Instead of simply deleting a user ID with the corresponding transponder, all data stored in the code lock would have to be deleted for security reasons in order to prevent unauthorised access.

We therefore recommend that you assign a user ID for each authorised person and enter all data (employee name, user ID or user transponder information, etc.) in a list.

First option: Automatically adding a user transponder without a specific user ID

The code lock automatically uses the next available user ID, but it is not possible to determine which one:

- The code lock must be in standby mode and the LED indicator (2) must be red.
- Enable programming mode (see section 11 "Programming", paragraph "b) Enabling/exiting programming mode"). The LED indicator (2) will then flash red.

Example:

- Press the key. The LED indicator (2) will turn orange. The code lock is now in add transponder mode.
- Hold a user transponder against the RFID sensor surface (1). The code lock will beep when the transponder has been detected.
- The new user transponder will be associated with the automatically assigned user ID.

→ If a transponder was not read and recognized, perform the adding process again.

A previously added/stored transponder cannot be assigned again to another user ID.

- You can now add another user transponder. The next user ID will be automatically assigned. You can then add additional transponders in the same way as described above.
- Hold the next user transponder against the RFID sensor surface. The code lock will beep when the transponder has been detected.
- Repeat this procedure until you have added all the required transponders (up to 2000 user transponders are possible).
- When the desired or maximum number of transponders have been added, press the # key to finish adding the cards. The LED indicator (2) will flash red.
- Press the * key to exit programming mode. The LED indicator (2) will switch to constant red to indicate that the code lock is in standby mode.

Second option: Adding a user transponder with manual assignment of a user ID:

The code lock uses the entered user ID, which can subsequently be used as a reference for the respective user.

- The code lock must be in standby mode and the LED indicator (2) must be red.
- Enable programming mode (see section 11 "Programming", paragraph "b) Enabling/exiting programming mode"). The LED indicator (2) will then flash red.

Example:

- Press the key. The LED indicator (2) will turn orange. The code lock is now in add transponder mode.

- Enter a user ID (a number from **1** to **20000**).
- Press the **#** key to confirm the user ID. The LED indicator (2) will briefly turn green, and then orange again.
- Hold a user transponder against the RFID sensor surface (1). The code lock will beep when the transponder has been detected.
- The user transponder will be associated with the manually assigned user ID.

→ If a transponder was not read and recognized, perform the adding process again.

If you enter a user ID which is already assigned to a user transponder, the adding process will fail.

A transponder that has already been added/saved cannot be used again for another manually assigned user ID.

- You can now add another user transponder. Enter the next user ID manually.
- Hold the next user transponder against the RFID sensor surface. The code lock will beep when the transponder has been detected.
- Repeat this procedure until you have added all the required transponders (up to 2000 user transponders are possible).

→ The code lock also has a function for automatically adding a larger number of user transponders (see section "Fourth option: Adding user transponders with consecutive transponder numbers in series").

- When the desired or maximum number of transponders have been added, press the # key to finish adding the cards. The LED indicator (2) will flash red.
- Press the [*] key to exit programming mode. The LED indicator (2) will switch to constant red to indicate that the code lock is in standby mode.

Third option: Adding a user transponder by entering the 8/10-digit transponder number:

After entering the 8/10-digit transponder number, the code lock automatically associates the next available user ID with this transponder number. However, it is not possible to see which user ID was assigned. To add the user transponder, proceed as follows:

- The code lock must be in standby mode and the LED indicator (2) must be red.
- Enable programming mode (see section 11 "Programming", paragraph "b) Enabling/exiting programming mode"). The LED indicator (2) will then flash red.

Example: [*][1][2][3][4][5][6][#]

- Press the [1] key. The LED indicator (2) will turn orange. The code lock is now in add transponder mode.
- Enter the 8 or 10-digit transponder number. Press the [#] key to confirm your entry. The LED indicator will briefly turn green, and then orange again.
- The new user transponder will be associated with the automatically assigned user ID.

- A transponder that has already been added/saved cannot be added again. In this case, the code lock emits 3 short beeps and the LED indicator flashes red before turning orange again.
- You can now add other user transponders. To do this, enter the next 8 or 10-digit transponder number.
 - Add the desired or maximum number of transponders.
 - Press the **[*]** key to complete the process. This will end the adding process and exit programming mode. The LED indicator (2) will switch to constant red to indicate that the code lock is in standby mode.

Fourth option: Adding user transponders with consecutive transponder numbers in series

If you want to store a larger number of user transponders in the code lock and have transponders with consecutive 8 or 10-digit transponder numbers, the code lock offers a function for this purpose.

- The transponder numbers must be continuous with no gaps in the number sequence. Ensure that your transponder cards meet this requirement.

Proceed as follows:

- The code lock must be in standby mode and the LED indicator (2) must be red.
- Enable programming mode (see section 11 "Programming", paragraph "b) Enabling/exiting programming mode"). The LED indicator (2) will then flash red.

Example:

- Press the key. The LED indicator (2) will turn orange. The code lock is now in add transponder mode.
- Enter an initial number as user ID (a number from to is theoretically possible). The transponders will be stored from this user ID.

→ Make sure that there is enough free memory for the transponders after the first user ID, otherwise the code lock will report an error. It would not be advisable to start with a user ID of 1999, because manual programming would suffice in this case.

- Press the key to confirm the first user ID. The LED indicator will briefly turn green, and then orange again.
- Enter the number of transponders to be saved. Press the key to confirm your entry. The LED indicator will briefly turn green, and then orange again.
- Enter the first 8 or 10-digit transponder number. Press the key to confirm your entry. The LED indicator will briefly turn green, and then orange again.
- All user transponders from the first user ID will now be stored as authorized transponders.

→ Up to 2000 transponders can be stored in one process. The process takes about 3 minutes to complete.

- Once you have added the desired/maximum number of transponders, press the key end the process. The LED indicator (2) will switch to constant red to indicate that the code lock is in standby mode.

e) Deleting user transponders

First option: Delete a user transponder without a specific user ID

- The code lock must be in standby mode and the LED indicator (2) must be red.
- Enable programming mode (see section 11 "Programming", paragraph "b) Enabling/exiting programming mode"). The LED indicator (2) will then flash red.

Example: *123456#

- Press the **2** key on the remote control. The LED indicator (2) will turn orange. The code lock is now in delete mode.
- To delete a user transponder, hold it in front of the RFID sensor surface (1).
- When the transponder has been detected, the code lock will beep and the LED indicator (2) will briefly turn green. The LED indicator (2) will then turn orange again.
- The user transponder is now deleted. If the transponder cannot be found in the code lock memory, the code lock will emit 3 short beeps and the LED indicator (2) will flash red before switching back to orange.
- You can now delete another user transponder. Simply hold it in front of the code lock.
- When enough transponders have been deleted, press the **#** key to finish the deletions. The LED indicator (2) will flash red.

- Press the **[*]** key to exit programming mode. The LED indicator (2) will switch to constant red to indicate that the code lock is in standby mode.

Second option: Delete transponders using specific user IDs

- The code lock must be in standby mode and the LED indicator (2) must be red.
- Enable programming mode (see section 11 "Programming", paragraph "b) Enabling/exiting programming mode"). The LED indicator (2) will then flash red.

Example: **[*][1][2][3][4][5][6][#]**

- Press the **[2]** key on the remote control. The LED indicator (2) will turn orange. The code lock is now in delete mode.
- Enter the user ID that you want to delete via the remote control and complete your entry with the **[#]** key.

Example: **[1][2][#]**

- When the transponder has been detected, the code lock will beep and the LED indicator (2) will briefly turn green. The LED indicator (2) will then turn orange again. The user ID for this transponder has now been deleted.

→ If the user ID cannot be found in the code lock memory, the code lock will emit 3 short beeps and the LED indicator (2) will flash red before switching back to orange.

- You can now delete other user IDs.

- To end the deletion process and exit programming mode, press the **[*]** key. The LED indicator (2) will switch to constant red to indicate that the code lock is in standby mode.

Third option: Delete the user transponder by entering the 8/10-digit transponder number

- The code lock must be in standby mode and the LED indicator (2) must be red.
- Enable programming mode (see section 11 "Programming", paragraph ".b) Enabling/exiting programming mode"). The LED indicator (2) will then flash red.

Example: **[*][1][2][3][4][5][6][#]**

- Press the **[2]** key on the remote control. The LED indicator (2) will turn orange. The code lock is now in delete mode.
- To delete a user transponder, enter the 8-digit or 10-digit transponder number. Press the **[#]** key to confirm your entry.
- When the transponder has been detected, the code lock will beep and the LED indicator (2) will briefly turn green. The LED indicator (2) will then turn orange again.
- The user transponder is now deleted.

→ If the transponder cannot be found in the code lock memory, the code lock will emit 3 short beeps and the LED indicator (2) will flash red before switching back to orange.

- You can now delete another user transponder. Enter other 8 or 10-digit transponder numbers.

- To end the deletion, press the # key to finish the deletions. The LED indicator (2) will flash red.
- Press the [*] key to exit programming mode. The LED indicator (2) will switch to constant red to indicate that the code lock is in standby mode.

f) Deleting all user data

This function allows all user data (all transponders) to be deleted from the code lock memory. However, the configuration information will be retained.

Proceed as follows:

- The code lock must be in standby mode and the LED indicator must be red.
- Enable programming mode (see section 11 "Programming", paragraph "b) Enabling/exiting programming mode"). The LED indicator will then flash red.

Example: [*][1][2][3][4][5][6][#]

- Press the [2] key. The LED indicator will light up orange. The code lock is now in delete mode. Enter the master code again.

e.g.: [1][2][3][4][5][6]

- Press the [#] key to confirm your entry. The LED indicator will briefly turn green, and then orange again.
- All user data (transponders) will be deleted.

- To end the deletion process and exit programming mode, press the **[*]** key. The LED indicator will switch to constant red to indicate that the code lock is in standby mode.

Scheduling the timer for the relay output or switching to toggle mode

The potential-free changeover contact of the code lock can be activated with a transponder.

The following functions are possible:

- The changeover contact is activated for 2....99 seconds (default setting 5 seconds); optimal e.g. for a door opener.
- The changeover contact is activated for 100 ms (pulse mode); optimal e.g. for controlling an alarm system..
- Toggle mode: The changeover contact switches between the two switch settings for each valid access attempt. For example, this is optimal for arming/disarming an alarm system..

Proceed as follows:

- The code lock must be in standby mode and the LED indicator must be red.
- Enable programming mode (see section 11 "Programming", paragraph "b) Enabling/exiting programming mode"). The LED indicator will then flash red.

Example: **[*][1][2][3][4][5][6][#]**

- Press the **[3]** key. The LED indicator will light up orange.

- Enter the desired time/function:

[0] = Toggle operation The output is switched between open/closed.

[1] - **[9][9]** = the output is activated for the specified time (in seconds). The default setting is 5 seconds.

Example: **[5][5]**.

- Press the **[#]** key to confirm your entry. The LED indicator will briefly turn green and then flash red (programming mode).
- To exit programming mode, press the **[*]** key. The LED indicator will switch to constant red to indicate that the code lock is in standby mode.

g) Security function for invalid access attempts

An alarm sounds or the code lock is locked to deny the user access (e.g. if an attempt is made to try multiple transponders). This alarm function can be enabled and disabled (see section 11 "Programming" "h) Setting the alarm duration").

→ Pressing the opening button opens the lock from the inside even when the alarm is active. Pressing the opening button does not switch off the alarm.

The following functions are available:

No lock (default setting)

Invalid access attempts are ignored.

Lock for ten minutes

If ten invalid access attempts are made with a transponder, the code lock will be locked for ten minutes. The LED indicator (2) will flash red. During this time, access cannot be gained, even with valid transponders.

Triggering an alarm

After 10 invalid access attempts have been made via a transponder, the code lock sounds an alarm.

The alarm duration is adjustable (from 1 to 3 minutes, default setting = 1 minute), as described in section 11 "Programming", "h) Setting the alarm duration".

The alarm can be terminated prematurely with the valid master code or by presenting a valid transponder. The alarm is disabled by default.

To configure the security function, proceed as follows:

- The code lock must be in standby mode and the LED indicator (2) must be red.
- Enable programming mode (see section 11 "Programming", paragraph "b) Enabling/exiting programming mode"). The LED indicator (2) will then flash red.

Example: *123456#

- Press the **4** key. The LED indicator (2) will turn orange.

- Enter the desired function:
 = Alarm is switched off.
 = Code lock is locked for 10 minutes.
 = The alarm sounds for the set time or until it is switched off in a valid manner within this period (by entering the master code+) or by presenting a valid transponder).
- Press the key to confirm your entry. The LED indicator (2) will briefly turn green and then flash red.
- To exit programming mode, press the key. The LED indicator (2) will switch to constant red to indicate that the code lock is in standby mode.

h) Setting the alarm duration

The alarm duration (for the security function and sabotage alarm) can be set (from 1 to 3 minutes, default setting = 1 minute). To set the alarm duration, proceed as follows:

- The code lock must be in standby mode and the LED indicator (2) must be red.
- Enable programming mode (see section 11 "Programming", paragraph "b) Enabling/exiting programming mode"). The LED indicator (2) will then flash red.

Example:

- Press the key. The LED indicator (2) will turn orange.

- Enter the desired function:
 = the alarms are switched off.
 - = the alarms sound for 1 to 3 minutes. (The default setting is one minute.)
- Press the key to confirm your entry. The LED indicator (2) will briefly turn green and then flash red (programming mode).
- To exit programming mode, press the key. The LED indicator (2) will switch to constant red to indicate that the code lock is in standby mode.

i) Configuring audible alerts

You can turn the indicator and warning signals of the code lock on or off.

To set the audible alerts, proceed as follows:

- The code lock must be in standby mode and the LED indicator must be red.
- Enable programming mode (see section 11 "Programming", paragraph "b) Enabling/exiting programming mode"). The LED indicator will then flash red.

Example:

- Press the key to confirm your entry. The LED indicator will briefly turn green, and then orange again.
- Press the key. The LED indicator (2) will turn orange.

- Enter the desired function:

3 = Alarm and control tones of the code lock are switched off.

4 = Alarm and control tones of the code lock are switched on.

→ Tones are switched on by default.

- To exit programming mode, press the ***** key. The LED indicator will switch to constant red to indicate that the code lock is in standby mode.

j) Configuring visual warnings

You can turn the indicator and warning signals of the code lock on or off.

To configure the LED indicator, proceed as follows:

- The code lock must be in standby mode and the LED indicator must be red.
- Enable programming mode (see section 11 "Programming", paragraph "b) Enabling/exiting programming mode"). The LED indicator will then flash red.

Example: ***123456#**

- Press the **#** key to confirm your entry. The LED indicator will briefly turn green, and then orange again.
- Press the **6** key. The LED indicator (2) will turn orange.

- Enter the desired function:

① = LED indicator of the code lock is switched off.

② = LED indicator of the code lock is switched on.

————→ The LED indicator alerts are switched on by default.

- To exit programming mode, press the [*] key. The LED indicator will switch to constant red to indicate that the code lock is in standby mode.

k) Using the master transponder

Adding user transponders with the "Master Add Card" transponder

The product comes with a special transponder labelled "Master Add Card". This transponder allows user transponders to be added quickly and efficiently, as it is not necessary to enter codes via the IR remote control.

Proceed as follows:

- The code lock must be in standby mode and the LED indicator (2) must be red.
- Hold the supplied programming transponder (labelled "Master Add Card") in front of the RFID sensor surface (1) on the code lock.
- To add a user transponder, hold it in front of the RFID sensor surface (1).

- When the transponder has been detected, the code lock will beep and the LED indicator (2) will briefly turn green. The LED indicator (2) will then turn orange again.
- The user transponder is now stored as a user.
- You can now add another user transponder. Simply hold it in front of the code lock and confirm the entry as described above.
- To end the process, hold the supplied programming transponder (labelled "Master Add Card") in front of the RFID sensor surface (1) on the code lock.
- The LED indicator (2) will switch to constant red to indicate that the code lock is in standby mode.

Deleting user transponders with the "Master Delete Card" transponder

The product comes with a special transponder labelled "Master Delete Card". This transponder allows user transponders to be deleted quickly and efficiently, as it is not necessary to enter codes via the IR remote control.

Proceed as follows:

- The code lock must be in standby mode and the LED indicator (2) must be red.
- Hold the supplied delete transponder (labelled "Master Delete Card") in front of the RFID sensor surface (1) on the code lock.
- To delete a user transponder, hold it in front of the RFID sensor surface (1).

- When the transponder has been detected, the code lock will beep and the LED indicator (2) will briefly turn green. The LED indicator (2) will then turn orange again.
- The user transponder is now deleted.

→ If the transponder cannot be found in the code lock memory, the code lock will emit 3 short beeps and the LED indicator (2) will flash red before switching back to orange.

- You can now delete another user transponder. Simply hold it in front of the code lock and confirm the entry as described above.
- To end the deletion process, hold the supplied delete transponder (labelled "Master Delete Card") in front of the RFID sensor surface (1) on the code lock.
- The LED indicator (2) will switch to constant red to indicate that the code lock is in standby mode.

I) Restoring factory settings

- Switch the power supply off.
- Press and hold the open button while switching the power supply back on. You will hear two short beeps. Wait until the LED indicator (2) turns orange. Release the button when you see this signal. Then scan both of the master transponders one after another (labelled "Master Add Card" and "Master Delete Card") on the RFID sensor surface (1) on the code lock.
- All the settings will be reset to the default factory values. The LED indicator (2) will then switch to constant red to indicate that the code lock is in standby mode.

- Both master transponders will also be re-added as master transponders. Scan the "Master Add Card" first, followed by the "Master Delete Card". If this sequence is not observed, both transponders will be reprogrammed to the function of the other card. The labels may then have to be changed by re-labelling the cards, or you may have to perform the reset process again in order to reprogram the master transponders according to the labels.
- The first transponder to be scanned is the one used to add new transponders (= "Master Add Card").
 - The second transponder to be scanned is the one used to delete previously added transponders (= "Master Delete Card").
- Any programmed user information and transponder information will be retained after a factory reset.

12. Operation

a) Activating the changeover contact (opening and closing the door)

Activating the relay with a user transponder (EM card)

The transponder must be held in front of the sensor surface (at a maximum distance of approximately 4 cm). If a valid transponder is detected, the code lock will emit a beep and the LED indicator

(2) will turn green to indicate that the changeover contact has been activated. In toggle mode, a second reading of the transponder closes the code lock.

Activating the changeover contact via the opening button

If a door opener button has been connected to the code lock, the changeover contact can be activated by briefly pressing the button. The activation duration is the same as the duration which is used for a valid user transponder. In toggle mode, the opening button changes the switch position of the changeover contact.

b) Stopping the alarm / switching off the alarm

The code lock monitors the number of opening attempts. An alarm is triggered after ten unsuccessful opening attempts. When the alarm is triggered, you can stop it in several ways:

The alarm can be terminated as follows using a valid transponder or the master code.

- Hold a valid transponder over the code lock
- Enter the correct master code+[#] via the remote control

13. Audible and visual signals

The LEDs (red and green) are located on the front of the code lock (2). The housing also contains a buzzer. The signals of both warning systems have the following functions:

Status	LED	Beep
Standby	Red LED indicator lights up brightly	-
Enable programming mode	Red LED indicator turns on	One beep
Programming mode enabled	Control LEDs are bright orange (the red and green LEDs light up together)	One beep
Operating error	-	Three short beeps
Exiting programming mode	Red LED indicator lights up brightly	One short beep
Open lock	Green LED indicator lights up brightly	One beep
Alarm triggered	Red LED indicator flashes quickly	Continuous beeps

→ A detailed description of the LED indicator and sound signals can be found in the respective sections of these operating instructions.

14. Care and cleaning



Never use aggressive detergents, rubbing alcohol or other chemical solutions, as these could damage the housing or stop the product from functioning properly.

- Use a damp, lint-free cloth to clean the exterior casing.
- Always disconnect the product from the power supply before cleaning the interior.

15. Declaration of Conformity (DOC)

Conrad Electronic SE, Klaus-Conrad-Straße 1, D-92240 Hirschau, hereby declares that this product conforms to Directive 2014/53/EU.

→ Click on the following link to read the full text of the EU Declaration of Conformity:

www.conrad.com/downloads

Enter the product's item number in the search field; you can then download the EU Declaration of Conformity in the available languages.

16. Disposal



Electronic devices are recyclable waste and must not be placed in household waste. At the end of its service life, dispose of the product according to the relevant statutory regulations.

You thus fulfil your statutory obligations and contribute to environmental protection.

17. Technical data

Power supply	9–24 V/DC
Current consumption	(<40 mA (typical when idle)
Capacity of the relay contact	Max. 24 V/DC, 2 A
Transponder	125 kHz transponder card
Reading distance.....	≤4cm
User ID length.....	4-6 digits
Programmable users	2000 transponders
Relay times.....	0 to 99 seconds (typically 5 seconds)
Material.....	Die-cast zinc and ABS (front side of device)

Installation location..... Indoors and outdoors
Operating/storage conditions..... -40 to +60 °C,
Dimensions (Ø x H) 73 x 20 mm
Weight 180 g

	Page
1. Introduction.....	54
2. Explication des symboles	55
3. Utilisation prévue.....	55
4. Caractéristiques et fonctions	57
5. Consignes de sécurité.....	58
a) Généralités.....	58
b) Appareils connectés.....	60
c) Personnes et produit.....	60
d) Pile.....	61
6. Éléments de fonctionnement.....	62
7. Montage et branchements.....	63
a) Montage.....	63
8. Câble de raccordement.....	65
a) Connexion.....	66
b) Schéma de branchement.....	68
c) Type de gâche électrique.....	70
9. Mise en service	71
a) Télécommande	71
b) Serrure à code	71
10. Télécommande.....	72

11. Programmation.....	73
a) Généralités.....	73
b) Activer/quitter le mode de programmation	74
c) Modifier le code maître.....	75
d) Configuration du transpondeur utilisateur	76
e) Suppression des transpondeurs d'utilisateur	85
f) Suppression de toutes les données utilisateur.....	89
g) Fonction de sécurité en cas de tentatives d'accès invalides	91
h) Réglage de la durée d'alarme	93
i) Régler l'avertissement acoustique	94
j) Régler l'avertissement visuel	96
k) Utilisation des transpondeurs maîtres.....	97
l) Réinitialiser aux réglages d'usine.....	99
12. Utilisation.....	101
a) Activer le contact de commutation (ouvrir et fermer la porte)	101
b) Arrêter la tonalité d'alarme / désactiver l'alarme	102
13. Signaux sonores et affichages LED	102
14. Entretien et nettoyage	103
15. Déclaration de conformité (DOC)	104
16. Élimination des déchets	104
17. Données techniques.....	105

1. Introduction

Chers clients,

Nous vous remercions d'avoir choisi ce produit.

Ce produit est conforme aux exigences des normes européennes et nationales en vigueur.

Afin de maintenir l'appareil en bon état et d'en assurer un fonctionnement sans danger, l'utilisateur doit impérativement respecter ce mode d'emploi !



Ce mode d'emploi fait partie intégrante du produit. Il contient des consignes importantes pour la mise en service et la manipulation du produit. Tenez compte de ces remarques, même en cas de cession de ce produit à un tiers. Conservez ce mode d'emploi afin de pouvoir le consulter à tout moment !

Pour toute question technique, veuillez vous adresser à:

France (email): technique@conrad-france.fr

Suisse: www.conrad.ch

2. Explication des symboles



Le symbole de l'éclair dans un triangle indique un risque pour votre santé, par ex. suite à un choc électrique.



Le symbole du point d'exclamation dans un triangle attire l'attention sur les consignes importantes du mode d'emploi à respecter impérativement.



Le symbole de la flèche précède les conseils et remarques spécifiques à l'utilisation.

3. Utilisation prévue

Le produit sert principalement à sécuriser l'accès des portes (par ex. d'un bureau) ou pour activer/désactiver un système d'alarme. Un maximum de 2000 utilisateurs avec différents transpondeurs (cartes utilisateur EM) peut être enregistré.

La commande s'effectue via des transpondeurs appropriés. Lorsque vous tenez un transpondeur configuré devant la serrure à code, un contact de commutation sans potentiel est activé (pour la capacité de charge de contacts, voir chapitre « Données techniques »). Ceci permet par exemple de contrôler un dispositif d'alarme ou un ouvre-porte. Le produit est prévu pour une utilisation à l'intérieur comme à l'extérieur (IP66). Une sortie relais (1 x contact inverseur, max. 24 V/DC, 2 A) peut commander une gâche électrique mais aussi d'autres appareils (par ex. un

système d'alarme). La serrure à code doit exclusivement être alimentée avec une tension de 9-24 V/DC.

Pour des raisons de sécurité et d'homologation, toute transformation et/ou modification du produit est interdite. Si vous utilisez le produit à des fins autres que celles décrites précédemment, vous risquez de l'endommager. Par ailleurs, une utilisation incorrecte peut être source de dangers tels que court-circuit, incendie, électrocution. Lisez attentivement le mode d'emploi et conservez-le. Ne donnez le produit à un tiers qu'accompagné de son mode d'emploi.

Tous les noms d'entreprises et appellations de produits contenus dans ce mode d'emploi sont des marques déposées de leurs propriétaires respectifs. Tous droits réservés.

Contenu d'emballage

- Serrure à code du transpondeur (lit les cartes RFID pour autorisation)
- Télécommande avec 1 x CR2025
- 1 diode
- 2 vis
- 2 chevilles
- 1 x clé six pans
- 1 x transpondeur maître « Master Add Card »
- 1 x transpondeur maître « Master Delete Card »
- Aperçu de la programmation
- Mode d'emploi

Modes d'emploi actuels

Téléchargez les modes d'emploi actualisés via le lien www.conrad.com/downloads ou scannez le Code QR illustré. Suivez les instructions disponibles sur le site Internet.



4. Caractéristiques et fonctions

- Boîtier métallique anti-effraction
- Degré de protection IP66 (protection contre les intempéries)
- Accès à la carte du transpondeur
- 2 000 transpondeurs d'utilisateur configurables
- Une sortie relais
- Alarme anti-sabotage (retentit en cas d'ouverture non autorisée du boîtier)
- Fonctionnement possible en mode temporisé ou commutation alternative
- Témoin de fonctionnement à LED multicolore

5. Consignes de sécurité



Lisez attentivement le mode d'emploi dans son intégralité, en étant particulièrement attentif aux consignes de sécurité. Nous déclinons toute responsabilité en cas de dommage corporel ou matériel résultant du non-respect des consignes de sécurité et des instructions d'utilisation de ce mode d'emploi. En outre, la garantie est annulée dans de tels cas.

a) Généralités

- Ce produit n'est pas un jouet. Gardez-le hors de portée des enfants et des animaux domestiques.
- Ne laissez pas traîner le matériel d'emballage. Cela pourrait constituer un jouet très dangereux pour les enfants.
- Le produit ne doit pas être exposé à des températures extrêmes, à la lumière directe du soleil, à des secousses intenses, à une humidité élevée, à l'eau, à des gaz inflammables, à des vapeurs et à des solvants.
- N'exposez pas le produit à des contraintes mécaniques.



- Si une utilisation en toute sécurité ne peut plus être garantie, cessez d'utiliser le produit et protégez-le contre toute utilisation accidentelle. Une utilisation en toute sécurité n'est plus garantie si le produit :
 - présente des traces de dommages visibles,
 - ne fonctionne plus correctement,
 - a été rangé dans des conditions inadéquates sur une longue durée, ou
 - a été transporté dans des conditions très rudes.
- Manipulez le produit avec précaution. Les chocs, les coups et les chutes, même d'une faible hauteur, suffisent pour endommager l'appareil.
- En cas de doutes concernant le mode de fonctionnement, la sécurité ou le raccordement de l'appareil, adressez-vous à un technicien spécialisé.
- Toute opération d'entretien, de réglage ou de réparation doit être effectuée par un spécialiste ou un atelier spécialisé.
- Si vous avez encore des questions auxquelles ce mode d'emploi n'a pas su répondre, nous vous prions de vous adresser à notre service technique ou à un expert.



b) Appareils connectés

- Respectez également les consignes de sécurité et le mode d'emploi des autres appareils connectés au produit.

c) Personnes et produit

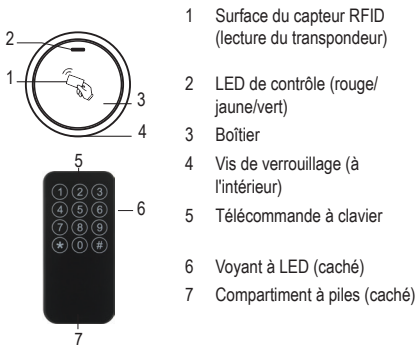
- Ne versez jamais de liquides sur les appareils électriques et ne posez pas d'objets contenant des liquides à côté de l'appareil. Si du liquide ou un objet devait toutefois pénétrer à l'intérieur de l'appareil, mettez dans ce cas la ligne d'alimentation électrique correspondante hors tension (par ex. coupez le disjoncteur). N'utilisez plus le produit par la suite et confiez-le à un atelier spécialisé.
- N'allumez jamais l'appareil immédiatement après son passage d'une pièce froide à une pièce chaude. L'eau de condensation qui en résulterait pourrait éventuellement détruire l'appareil. Laissez l'appareil s'acclimater à la température ambiante avant de le brancher et de le mettre en marche. Selon les cas, cela peut prendre plusieurs heures.
- Le contact de commutation de relais dispose d'une charge admissible max. de 24 V/DC, 2 A. Il ne doit jamais être utilisé avec des tensions supérieures ou différentes (par ex. la tension secteur) ou des courants plus élevés. Il pourrait en résulter un risque de choc électrique !



d) Pile

- Lors de l'insertion de la pile/l'accu, respectez bien la polarité (attention : positif/+ et négatif/-).
- Retirez la pile de l'appareil si vous avez l'intention de ne pas l'utiliser pendant longtemps, afin d'éviter les risques de fuites. Des piles qui fuient ou qui sont endommagées peuvent provoquer des brûlures en cas de contact avec la peau. l'utilisation de gants protecteurs appropriés est par conséquent recommandée pour manipuler les piles corrompues.
- Gardez les piles hors de portée des enfants. Ne laissez pas les piles sans surveillance, car elles risquent d'être avalées par des enfants ou des animaux domestiques. En cas d'ingestion, consultez immédiatement un médecin ! danger de mort !
- Les batteries ne doivent pas être démontées, court-circuitées ni jetées au feu. Ne rechargez jamais des piles non rechargeables. Cela entraînerait un risque d'explosion !
- C'est pourquoi les piles sont à conserver dans un endroit choisi en conséquence. Pour une élimination écologique des piles, veuillez vous reporter au chapitre « Mise au rebut ».

6. Éléments de fonctionnement



7. Montage et branchements

a) Montage



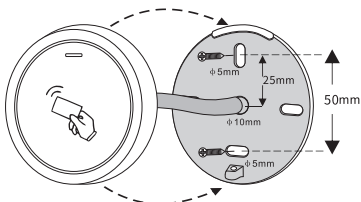
Les câbles de raccordement ne doivent jamais être pliés ni coincés. Cela peut causer des défauts de fonctionnement, des courts-circuits ou des défauts sur l'appareil. Le raccordement est autorisé uniquement hors tension.

- Retirez la partie supérieure du boîtier de la plaque de montage à l'aide du capteur RFID. Pour ce faire, dévissez la vis de verrouillage (4) sur la partie inférieure à l'aide de la clé à six pans creux fournie et retirez la partie supérieure.
- Utilisez la plaque de montage comme gabarit, alignez-la verticalement sur la surface de fixation et tracez les deux trous de fixation.
- Percez les trous et insérez les chevilles (fournies) en fonction du support de fixation. Sur du bois ou un support métallique, utilisez uniquement les vis.



Pour le vissage, utilisez les vis de fixation fournies et le cas échéant les chevilles fournies (pour la maçonnerie). Lors du perçage ou du vissage sur différentes surfaces, veillez à ce qu'aucun câble et fil ou qu'aucune canalisation ne soit endommagé(e).

- Montez la plaque de montage au mur. Le câble de raccordement est effectué par l'insertion du câble au centre de la paroi arrière.



- Branchez le produit sur les bornes à vis. Consultez les détails du connecteur dans la section 8 « a) Connexion ».
- Branchez les câbles de raccordement selon les modèles de câblage suivants. Assurez-vous que l'isolation soit appropriée (par ex. gaines thermorétractables).
- Une diode de protection appropriée est fournie pour le raccordement d'un ouvre-porte. Elles protègent la serrure à code contre les dommages causés par les pics de tension.
- Respectez la polarité, consultez les modèles de raccordement suivants (l'anneau blanc de la diode de protection doit être orienté vers la polarité plus/+ lors du raccordement).



Attention ! Ne coupez jamais le réseau électrique par le biais du contact de commutation sans potentiel ! Dans le cas contraire, vous courez un danger de mort par électrocution ! Respectez la capacité de charge supplémentaire de contacts, voir chapitre « Caractéristiques techniques ».

- Utilisez des câbles adaptés possédant des couleurs différentes. Prenez bonne note des couleurs de chaque câble, conservez ces informations avec le présent mode d'emploi. Lors du raccordement des câbles, veillez à respecter la polarité (plus/+ et moins/-).
- Placez la serrure à code sur la plaque de montage. Veillez à ce qu'aucun câble ne se coince. La vis de verrouillage (4) sur la partie inférieure permet de fixer la serrure à code sur la plaque de montage. Utilisez la clé à six pans adaptée à la vis incluse dans la livraison.

8. Câble de raccordement

Couleur	Fonction
Rouge	Pôle positif jusqu'à 9 - 24 V/DC (régulé)
noir	Pôle négatif de raccordement à la terre (GND)
Blanc	Contact de travail pour relais selon le type Fail-Secure (NO)
marron	Contact COM du relais
Vert	Contact de repos pour relais selon le type Fail-Safe (NC)
jaune	Connexion pour le bouton d'ouverture

Raccordement de la tension de service (câbles : rouge + noir)

La tension de service (24 V/DC) doit être raccordée ici. Veillez à respecter la bonne polarité. La serrure à code proprement dite nécessite un courant de 100 mA max. À cela s'ajoute le courant requis pour la sirène située sur la sortie d'alarme (2 A max.).

Contact de commutation sans potentiel (câbles : Blanc + marron + vert)

Le contact de commutation sans potentiel (pour la capacité de charge des contacts, voir chapitre « Données techniques ») est activé après une tentative d'accès réussie (carte à transpondeur correcte). La durée de commutation peut être programmée (99 secondes max.). Le mode alternatif est également possible.

Entrée de touche d'ouvre-porte séparée (câble : jaune)

Le contact de commutation sans potentiel peut être activé en appuyant sur un bouton (contact de travail, fermeture). Celui-ci s'utilise par exemple pour activer manuellement un ouvre-porte. Si vous souhaitez raccorder plusieurs boutons-poussoirs, ceux-ci doivent être branchés en parallèle.

a) Connexion

- Raccordez les câbles de connexion sur les bornes à vis correspondantes de la serrure à code. Vous trouverez deux exemples de câblage à la section « b) Schéma de branchement ».

- Lors du branchement de la tension de service, une tension continue de 24 V doit être utilisée. La tension continue doit être disponible sur le lieu de montage (par ex. transformateur pour sonnerie ou bloc d'alimentation etc.). En cas de tension continue (DC), veillez à respecter la polarité (positif/+ et négatif/-) lors du branchement.

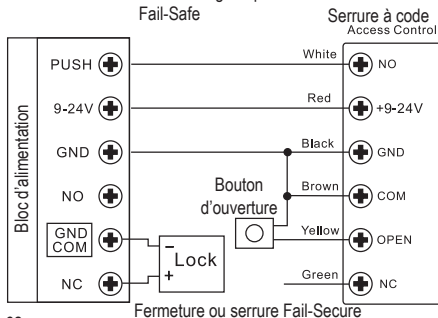
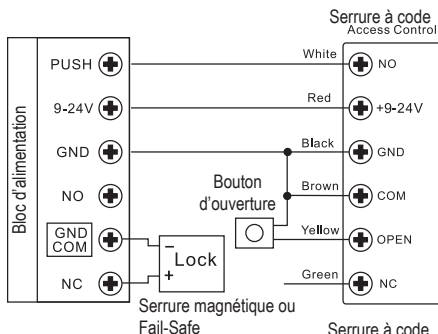


Ne branchez par ex. jamais une tension secteur !
Risque d'électrocution pouvant entraîner la mort !

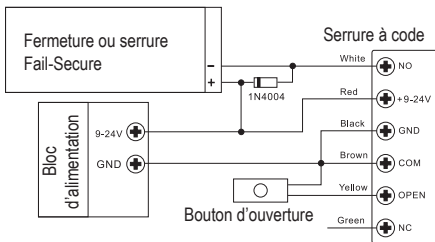
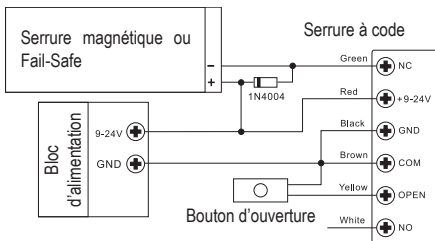
- Les borne à vis « OPEN » et « COM » vous permettent de raccorder le bouton d'un ouvre-porte, qui par exemple sera placé à l'intérieur de la pièce à côté de la porte. Si besoin, vous pouvez également raccorder en parallèle plusieurs boutons pour des ouvre-portes supplémentaires.
- Afin d'éviter que des interférences ESD (décharges électrostatiques) n'affectent le fonctionnement de la serrure à code, branchez-la toujours à une prise reliée à la terre.
- La diode fournie doit être connectée aussi près que possible des contacts de fermeture pour éviter que l'inductance du courant produit dans la bobine n'endommage la serrure à code.
- Placez la serrure à code sur la partie inférieure lorsque vous avez terminé le branchement. Veillez à ce que les câbles ne soient pas coincés ou qu'ils se desserrent des bornes à vis.
- Utilisez éventuellement des serre-câbles pour fixer et organiser les câbles.
- Activez la tension de service. La LED de contrôle rouge (veille) s'allume.

b) Schéma de branchement

Bloc d'alimentation spécial réservé aux systèmes de contrôle d'accès :



Alimentation électrique via un bloc d'alimentation classique



→ Si vous utilisez un bloc d'alimentation classique pour le relais et la serrure à code, vous devez installer une diode (1N4004). Sinon, la serrure à code peut être endommagée.

c) Type de gâche électrique

La serrure à code peut être utilisée avec des gâches électriques Fail-Secure ou Fail-Safe. Respectez les points suivants lors du raccordement.

- Gâche électrique « Fail-Secure » : Le verrou de fermeture s'ouvre uniquement lorsqu'une tension de service est appliquée (conception habituelle).
- Gâche électrique « Fail-Safe » : Le verrou de fermeture s'ouvre alors uniquement en l'absence de tension de service (conception rare, par ex. pour les portes de secours qui doivent pouvoir être ouvertes en cas de panne de courant).

→ Le raccordement de cette serrure à code dépend du type d'ouvre-porte utilisé. Dans la section « a) Connexion, lisez sur quels contacts raccorder l'ouvre-porte.

→ Déterminez le type d'ouvre-porte utilisé. Une gâche électrique Fail Secure nécessite des courants brefs relativement élevés pour s'ouvrir et n'est donc pas prévue pour supporter charges de longue durée.

9. Mise en service

a) Télécommande

- Si une petite bande plastique transparente déborde au bas de la télécommande IR, la pile est déjà insérée. Tirez la bande plastique de la télécommande IR pour que cette dernière soit opérationnelle.
- Un changement de pile est nécessaire, si la serrure à code ne réagit plus aux commandes de la télécommande dans des conditions normales (capteur infrarouge propre (5), ligne de visée directe).
- Pour changer la pile, retirez simplement le support de pile situé (7) au bas de la télécommande IR. Remplacez la pile usagée (1 CR2025) par une pile neuve. Posez de nouveau le support de pile sur la télécommande tout en respectant le sens d'orientation (la polarité plus/+ de la pile indique le sens sur la face inférieure de la télécommande IR).

→ Un remplacement de pile s'impose lorsque la portée a fortement diminué au fil du temps ou que la serrure à code ne réagit plus à la télécommande.

b) Serrure à code

- Activez la tension de fonctionnement après le montage et le raccordement.
- La serrure à code émet un bip sonore bref. La LED de contrôle (2) en haut de la serrure à code s'allume en permanence en rouge.

10. Télécommande



Touches numériques 0 à 9

Touche astérisque

Touche losange

La télécommande permet de programmer la serrure à code par simple pression sur un bouton. Si la saisie d'un chiffre est requise ci-dessous, utilisez la touche correspondante de la télécommande.

- Maintenez la télécommande en direction de la serrure à code pour effectuer des réglages et programmer des utilisateurs.
- Appuyez sur la touche décrite comme indiqué.
- Un bip de la serrure à code confirme chaque fois une entrée.

11. Programmation

a) Généralités

→ Vous pouvez effectuer la programmation sur le lieu de l'installation ou déjà dans un atelier, avant le montage, afin de réduire la durée nécessaire pour l'installation sur le site.

Ne débranchez pas la serrure à code pendant la programmation. Cela peut entraîner des erreurs de mémoire, de sorte que les données ou les programmations déjà existantes peuvent être perdues. Tenez compte des informations importantes qui suivent :

- Le code maître est nécessaire pour accéder au mode de programmation. Ce code par défaut est « 123456 ».

→ La programmation par saisie de chiffres est effectuée à l'aide des touches de la télécommande.

- Chaque utilisateur de transpondeur peut se voir attribuer un ID d'utilisateur spécifique (il s'agit d'un numéro de 1 ... à 2000, sans « 0 » au début). Il est également possible de configurer et d'enregistrer des transpondeurs sans saisir un ID d'utilisateur (la serrure à code l'indique automatiquement). Dans ce cas, il n'est toutefois possible de supprimer un utilisateur spécifique ultérieurement que si son transpondeur est également disponible.
- Il est donc recommandé de saisir un ID d'utilisateur pour chaque transpondeur que vous souhaitez configurer sur la serrure à code.

- Vous devez les conserver dans une liste avec d'autres données (nom du collaborateur, accès à l'aide d'un transpondeur).
- Tout transpondeur EM standard fonctionnant avec une fréquence de 125 kHz peut être utilisé.


b) Activer/quitter le mode de programmation

Pour accéder au mode de programmation, vous devez saisir le code maître sur la télécommande IR. Le code maître par défaut de la serrure à code à la sortie d'usine (ou après une réinitialisation) est « 123456 ».

→ Dans les exemples de programmation suivants, le code « 123456 » est utilisé comme code maître (il s'agit du réglage d'usine du code maître).

Modifiez le code maître au plus tard, une fois la programmation terminée.

Activer le mode de programmation :

- La LED de contrôle (2) dans la partie supérieure de la serrure à code doit s'allumer en rouge pour indiquer que cette dernière est en mode veille.
- Appuyez sur la touche . Une fois que la serrure à code reconnaît le signal IR de la télécommande, la LED de contrôle (2) de la serrure à code clignote en rouge (après 4 secondes sans aucune activité, la serrure à code retourne automatiquement en mode veille (la LED de contrôle (2) s'allume à nouveau en rouge)).

- Saisissez le code maître (« 123456 » dans la configuration par défaut à la sortie d'usine) :

1 2 3 4 5 6

- Veuillez confirmer la saisie en appuyant sur la touche [#].

→ Le code maître « 123456 » est celui que vous devez utiliser comme dans le chapitre 11 « Programmation ». « c) Modifier le code maître » doit être modifié avant d'utiliser la serrure à code en mode normal.

- La serrure à code émet un signal sonore et la LED de contrôle (2) s'allume brièvement en rouge. La LED de contrôle (2) s'allume ensuite en orange. Le mode de programmation est activé.

Quitter le mode de programmation :

- Appuyez sur la touche [*]. La LED de contrôle (2) s'allume en rouge fixe.

→ Le mode de programmation se désactive automatiquement au bout de 30 secondes si aucune programmation n'est effectuée. La serrure à code passe alors de nouveau en mode veille (la LED de contrôle (2) s'allume en rouge).

c) Modifier le code maître

- La serrure à code doit être en mode veille, la LED de contrôle (2) s'allume en rouge.

- Activez le mode de programmation, voir chapitre 11 « Programmation ». La section « b) Activer/quitter le mode de programmation », la LED de contrôle (2) clignote en rouge.

Exemple : [*] [1] [2] [3] [4] [5] [6] [#] (Réglage d'usine)

- Appuyez sur la touche [0]. La LED de contrôle (2) s'allume en orange.
- Saisissez le nouveau code maître,
exemple : [4] [5] [6] [7] [8] [9]

→ Le code maître doit toujours comporter 6 chiffres.

- Veuillez confirmer la saisie en appuyant sur la touche [#]. Saisissez une fois de plus le nouveau code maître pour confirmation :

[4] [5] [6] [7] [8] [9]

- Veuillez confirmer la saisie en appuyant sur la touche [#]. La LED de contrôle (2) s'allume en vert pendant un court instant pour confirmation, puis clignote en rouge.
- Appuyez sur la touche [*] pour quitter le mode de programmation. La LED de contrôle (2) s'allume de nouveau en rouge fixe, la serrure à code est en mode veille.

d) Configuration du transpondeur utilisateur

Généralités :

- Les transpondeurs d'utilisateur peuvent se voir attribuer un ID d'utilisateur spécifique (il s'agit d'un numéro allant de [1] à [2] [0] [0] [0], sans « 0 » au début).

- Il est également possible de configurer les transpondeurs d'utilisateur sans cet ID d'utilisateur. Le processus de configuration est ainsi accéléré.
- Si, lors de la configuration d'un transpondeur, aucun ID d'utilisateur n'est spécifié, la serrure à code utilise automatiquement et simplement l'ID d'utilisateur libre suivant ; toutefois, il n'est plus possible de déterminer ensuite lequel a été attribué.



Si vous n'affectez pas un ID d'utilisateur spécifique à un utilisateur et ne le consignez pas dans une liste, cela pourrait entraîner des problèmes ultérieurement.

En effet, en cas de départ d'un collaborateur de l'entreprise ou de perte d'un transpondeur d'utilisateur, il n'est plus possible de savoir quel ID d'utilisateur doit être supprimé.

Au lieu de supprimer simplement un ID d'utilisateur avec le transpondeur qui y est enregistré, toutes les données enregistrées dans la serrure à code doivent être supprimées pour des raisons de sécurité afin d'empêcher tout accès non autorisé.

Nous vous recommandons donc d'attribuer un ID d'utilisateur à chaque personne autorisée et de consigner toutes les données (nom du collaborateur, ID d'utilisateur, informations du transpondeur, etc.) dans une liste.

Possibilité 1 : Configuration automatique d'un transpondeur d'utilisateur sans ID d'utilisateur spécifique

La serrure à code utilise automatiquement l'ID d'utilisateur libre suivant, mais il n'est pas possible de déterminer lequel :

- La serrure à code doit être en mode veille, la LED de contrôle (2) s'allume en rouge.
- Activez le mode de programmation voir chapitre 11 « Programmation » « b) Activer/quitter le mode de programmation », la LED de contrôle (2) clignote alors en rouge.

Par exemple : * 1 2 3 4 5 6 #

- Appuyez sur la touche 1. La LED de contrôle (2) s'allume en orange. La serrure à code est maintenant en mode de configuration.
- Placez un transpondeur d'utilisateur sur la surface du capteur RFID (1). La serrure à code émet un signal sonore lorsque le transpondeur est lu.
- Le nouveau transpondeur d'utilisateur est enregistré dans l'ID d'utilisateur attribué automatiquement.

→ Si un transpondeur n'a pas été lu et détecté, effectuez à nouveau le processus de configuration.

Un transpondeur déjà configuré/enregistré ne peut pas être attribué à un autre ID d'utilisateur.

- Vous pouvez alors configurer un autre transpondeur utilisateur. L'ID d'utilisateur suivant est attribué automatiquement. Vous pouvez ensuite configurer d'autres transpondeurs de la même manière que celle décrite ci-dessus.

- Maintenez le transpondeur d'utilisateur suivant sur la surface du capteur RFID. La serrure à code émet un signal sonore lorsque le transpondeur est lu.
- Répétez cette opération jusqu'à ce que vous ayez configuré tous les transpondeurs nécessaires (jusqu'à 2000 transpondeurs d'utilisateur sont possibles).
- Pour terminer appuyez sur la touche [#], pour quitter le mode de programmation ou pour terminer le processus de configuration dès que le nombre de transpondeurs souhaité ou maximum a été configuré. La LED de contrôle (2) s'allume désormais en rouge.
- Appuyez sur la touche [*], pour quitter le mode de programmation. La LED de contrôle (2) s'allume de nouveau en rouge fixe, la serrure à code est en mode veille.

Possibilité 2 : Configuration d'un transpondeur d'utilisateur avec saisie de l'ID d'utilisateur :

La serrure à code utilise l'ID d'utilisateur saisi, qui peut être utilisé ultérieurement comme référence pour l'utilisateur concerné.

- La serrure à code doit être en mode veille, la LED de contrôle (2) s'allume en rouge.
- Activez le mode de programmation, voir chapitre 11 « Programmation » « b) Activer/quitter le mode de programmation ». A la suite de quoi, la LED de contrôle (2) s'allume en rouge.

Par exemple : [*] [1] [2] [3] [4] [5] [6] [#]

- Appuyez sur la touche **[1]**. La LED de contrôle (2) s'allume en orange. La serrure à code est maintenant en mode de configuration.
- Saisissez un ID d'utilisateur (un numéro de **[1]** à **[2|0|0|0|0]**).
- Veuillez confirmer l'ID d'utilisateur à l'aide de la touche **[#]**. La LED de contrôle (2) s'allume brièvement en vert, puis de nouveau en orange.
- Placez un transpondeur d'utilisateur sur la surface du capteur RFID (1). La serrure à code émet un signal sonore lorsque le transpondeur est lu.
- Le transpondeur d'utilisateur est enregistré dans l'ID d'utilisateur attribué manuellement.

→ Si un transpondeur n'a pas été lu et détecté, effectuez à nouveau le processus de configuration.

Si un ID d'utilisateur a été saisi et qu'un transpondeur d'utilisateur a déjà été enregistré, le processus de configuration échoue.

Un transpondeur qui a déjà été configuré/enregistré ne peut pas être configuré à nouveau dans un autre ID d'utilisateur attribué manuellement.

- Vous pouvez alors configurer un autre transpondeur d'utilisateur. Saisissez manuellement l'ID d'utilisateur suivant.
- Placez le transpondeur d'utilisateur suivant sur la surface du capteur RFID. La serrure à code émet un signal sonore lorsque le transpondeur est lu.

- Répétez cette procédure jusqu'à ce que vous ayez réglé tous les transpondeurs nécessaires (jusqu'à 2000 transpondeurs d'utilisateur sont possibles).
- La serrure à code dispose également d'une fonction de configuration automatique d'un plus grand nombre de transpondeurs d'utilisateur, voir la section « Possibilité 4 : Créer un transpondeur d'utilisateur avec des numéros de transpondeur continus en série ».
- Appuyez sur la touche [#], pour terminer le processus de configuration dès que le nombre de transpondeurs souhaité ou maximum a été configuré. La LED de contrôle (2) s'allume désormais en rouge.
 - Appuyez sur la touche [*], pour quitter le mode de programmation. La LED de contrôle (2) s'allume de nouveau en rouge fixe, la serrure à code est en mode veille.

Possibilité 3 : Configuration d'un transpondeur d'utilisateur en saisissant le numéro de transpondeur à 8 ou 10 chiffres :

Une fois le numéro de transpondeur à 8 ou 10 chiffres saisi, la serrure à code associe automatiquement l'ID d'utilisateur libre suivant à ce numéro de transpondeur. Mais il n'est pas visible de l'extérieur de quel ID d'utilisateur il s'agit. Pour configurer le transpondeur d'utilisateur, procédez de la manière suivante :

- La serrure à code doit être en mode veille, la LED de contrôle (2) s'allume en rouge.

- Activez le mode de programmation voir chapitre 11 « Programmation » « b) Activer/quitter le mode de programmation », la LED de contrôle (2) clignote alors en rouge.

Par exemple : * 1 2 3 4 5 6 #

- Appuyez sur la touche 1. La LED de contrôle (2) s'allume en orange. La serrure à code est maintenant en mode de configuration.
- Saisissez le numéro de transpondeur à 8 ou 10 chiffres. Veuillez confirmer la saisie à l'aide de la touche #. La LED de contrôle s'allume brièvement en vert, puis de nouveau en orange.
- Le nouveau transpondeur d'utilisateur est enregistré dans l'ID d'utilisateur attribué automatiquement.

→ Un transpondeur qui a déjà été configuré/enregistré ne peut pas être reconfiguré. Dans ce cas, la serrure à code émet 3 signaux sonores brefs, la LED de contrôle clignote en rouge et s'allume à nouveau en orange.

- Vous pouvez alors configurer d'autres transpondeurs d'utilisateur. Commencez par saisir le numéro de transpondeur à 8 ou 10 chiffres suivant.
- Configurez le nombre de transpondeurs souhaité ou maximal.
- Appuyez sur la touche * pour terminer. La configuration est terminée et vous quittez le mode de programmation. La LED de contrôle (2) s'allume de nouveau en rouge fixe et la serrure à code est en mode veille.

Possibilité 4 : Créer un transpondeur utilisateur avec des numéros de transpondeur continus en série

Si vous souhaitez enregistrer un plus grand nombre de transpondeurs d'utilisateur dans la serrure à code et que vous disposez de transpondeurs avec des numéros de transpondeur à 8 ou 10 chiffres, la serrure à code offre une fonction propre à cet effet.

→ Le numéro de transpondeur doit être consécutif sans discontinuité dans la séquence de numéros. Veillez à ce que cette condition soit respectée pour vos cartes de transpondeur.

Procédez comme suit :

- La serrure à code doit être en mode veille, la LED de contrôle (2) s'allume en rouge.
- Activez le mode de programmation voir chapitre 11 « Programmation » « b) Activer/quitter le mode de programmation », la LED de contrôle (2) clignote alors en rouge.

Par exemple : * 1 2 3 4 5 6 #

- Appuyez sur la touche 1. La LED de contrôle (2) s'allume en orange. La serrure à code est maintenant en mode de configuration.
- Saisissez un numéro de début comme ID d'utilisateur (un numéro de 1 ... 2 0 0 0 est théoriquement possible). À partir de là, les transpondeurs sont enregistrés.

- Veuillez à ce qu'il y ait suffisamment d'espace mémoire libre pour les transpondeurs après le premier ID d'utilisateur ; dans le cas contraire, la serrure à code signale une erreur. Commencer avec un ID utilisateur de 1999 ne serait évidemment pas très utile, car une programmation manuelle serait dans ce cas tout à fait suffisante.
- Veuillez confirmer le premier ID d'utilisateur à l'aide de la touche [#]. La LED de contrôle s'allume brièvement en vert, puis de nouveau en orange.
 - Saisissez le nombre de transpondeurs à enregistrer. Veuillez confirmer la saisie à l'aide de la touche [#]. La LED de contrôle s'allume brièvement en vert, puis de nouveau en orange.
 - Saisissez le premier numéro de transpondeur à 8 ou 10 chiffres. Veuillez confirmer la saisie à l'aide de la touche [#]. La LED de contrôle s'allume brièvement en vert, puis de nouveau en orange.
 - Tous les transpondeurs d'utilisateur sont à présent enregistrés à partir du premier ID d'utilisateur comme ayant une autorisation d'accès.
- Jusqu'à 2000 transpondeurs peuvent être enregistrés d'un seul coup. Le processus nécessite environ 3 minutes pour être terminé.

- Pour arrêter le processus de configuration dès que le nombre de transpondeurs souhaité ou maximum a été sélectionné et pour quitter le mode de programmation, appuyez sur la touche **[*]** pour terminer. La LED de contrôle (2) s'allume de nouveau en rouge fixe, la serrure à code est en mode veille.

e) Suppression des transpondeurs d'utilisateur

Possibilité 1 : Suppression d'un transpondeur d'utilisateur sans ID d'utilisateur spécifique

- La serrure à code doit être en mode veille, la LED de contrôle (2) s'allume en rouge.
- Activez le mode de programmation, voir chapitre 11, « Programmation » « b) Activer/quitter le mode de programmation » la LED de contrôle (2) clignote alors en rouge.

Par exemple : **[*] [1] [2] [3] [4] [5] [6] [#]**

- Actionnez la touche **[2]** sur la télécommande. La LED de contrôle (2) s'allume en orange. La serrure à code est maintenant en mode Suppression.
- Pour supprimer un transpondeur d'utilisateur, il suffit de le tenir devant la surface du capteur RFID (1).
- La serrure à code émet un signal sonore et la LED de contrôle (2) s'allume brièvement en vert lorsque le transpondeur a été détecté. La LED de contrôle (2) s'allume à nouveau en orange.

- Le transpondeur utilisateur est supprimé. Lorsque le transpondeur ne se trouve pas dans la mémoire de la serrure à code, cette dernière émet 3 signaux sonores brefs, la LED de contrôle (2) clignote en rouge, puis s'allume de nouveau en orange.
- Vous pouvez à présent supprimer un autre transpondeur utilisateur. Il suffit de le tenir devant la serrure à code.
- Pour terminer le processus de suppression et quitter le mode de programmation, appuyez sur la touche [#]. La LED de contrôle (2) s'allume désormais en rouge.
- Appuyez sur la touche [*], pour quitter le mode de programmation. La LED de contrôle (2) s'allume de nouveau en rouge fixe, la serrure à code est en mode veille.

Possibilité 2 : Supprimer un transpondeur à l'aide de certains ID d'utilisateur

- La serrure à code doit être en mode veille, la LED de contrôle (2) s'allume en rouge.
- Activez le mode de programmation voir chapitre 11 « Programmation » « b) Activer/quitter le mode de programmation », la LED de contrôle (2) clignote alors en rouge.

Par exemple : [*] [1] [2] [3] [4] [5] [6] [#]

- Actionnez la touche [2] sur la télécommande. La LED de contrôle (2) s'allume en orange. La serrure à code est maintenant en mode Suppression.

- Saisissez l'ID utilisateur à supprimer à l'aide de la télécommande et confirmez l'entrée à l'aide de la touche [#].
(exemple : [1] [2] [#])
 - La serrure à code émet un signal sonore et la LED de contrôle (2) s'allume brièvement en vert lorsque le transpondeur a été détecté. La LED de contrôle (2) s'allume à nouveau en orange. L'ID d'utilisateur de ce transpondeur est supprimé.
- Lorsque l'ID d'utilisateur ne se trouve pas dans la mémoire de la serrure à code, cette dernière émet 3 signaux sonores brefs, la LED de contrôle (2) clignote en rouge, puis s'allume de nouveau en orange.
- Vous pouvez à présent supprimer d'autres ID d'utilisateur.
 - Pour terminer les processus de suppression et quitter le mode de programmation, appuyez sur la touche [*]. La LED de contrôle (2) s'allume de nouveau en rouge fixe, la serrure à code est en mode veille.

Possibilité 3 : Supprimer un transpondeur d'utilisateur en saisissant le numéro de transpondeur à 8 ou 10 chiffres

- La serrure à code doit être en mode veille, la LED de contrôle (2) s'allume en rouge.
- Activez le mode de programmation, voir chapitre 11, « Programmation » « b) Activer/quitter le mode de programmation » la LED de contrôle (2) clignote alors en rouge.

Par exemple : * 1 2 3 4 5 6 #

- Actionnez la touche 2 sur la télécommande. La LED de contrôle (2) s'allume en orange. La serrure à code est maintenant en mode Suppression.
 - Pour supprimer un transpondeur d'utilisateur, saisissez le numéro de transpondeur à 8 chiffres ou 10 chiffres. Veuillez confirmer la saisie à l'aide de la touche #.
 - La serrure à code émet un signal sonore et la LED de contrôle (2) s'allume brièvement en vert lorsque le transpondeur a été détecté. La LED de contrôle (2) s'allume à nouveau en orange.
 - Le transpondeur utilisateur est supprimé.
- Lorsque le transpondeur ne se trouve pas dans la mémoire de la serrure à code, cette dernière émet 3 signaux sonores brefs, la LED de contrôle clignote en rouge, puis s'allume de nouveau en orange.
- Vous pouvez à présent supprimer un autre transpondeur utilisateur. Saisissez d'autres numéros de transpondeur à 8 ou 10 chiffres.
 - Pour terminer le processus de suppression et quitter le mode de programmation, appuyez sur la touche #. La LED de contrôle (2) s'allume désormais en rouge.
 - Appuyez sur la touche *, pour quitter le mode de programmation. La LED de contrôle (2) s'allume de nouveau en rouge fixe, la serrure à code est en mode veille.

f) Suppression de toutes les données utilisateur

Cette fonction permet de supprimer toutes les données utilisateur (l'ensemble des transpondeurs) de la mémoire de la serrure à code. Les informations de configuration sont cependant conservées.

Procédez comme suit :

- La serrure à code doit être en mode veille, et la LED de contrôle s'allume en rouge.
- Activez le mode de programmation 11 « Programmation »
« b) Activer/quitter le mode de programmation », la LED de contrôle clignote alors en rouge.

Par exemple : * 1 2 3 4 5 6 #

- Appuyez sur la touche 2. La LED de contrôle s'allume en orange. La serrure à code est maintenant en mode Suppression. Entrez à nouveau le code maître.

exemple : 1 2 3 4 5 6

- Veuillez confirmer la saisie en appuyant sur la touche #. La LED de contrôle s'allume brièvement en vert, puis de nouveau en orange.
- Toutes les données utilisateur (transpondeur) sont effacées.
- Pour terminer le processus de suppression et quitter le mode de programmation, appuyez sur la touche *. La LED de contrôle s'allume de nouveau en rouge fixe, la serrure à code est en mode veille.

Régler la durée d'activation de la sortie relais en cas de commutation temporisée ou de mode commutation (commutation alternative)

Le contact de commutation sans potentiel de la serrure à code peut être activé à l'aide d'un transpondeur :

Les fonctions suivantes sont disponibles :

- Le contact de commutation est activé pendant 2 à 99 secondes (configuration par défaut : 5 secondes) ; fonction idéale pour un ouvre-porte, par exemple.
- Le contact de commutation est activé pendant 100 ms (mode impulsion) ; idéal par ex. pour la commande d'un système d'alarme.
- Mode commutation : Le contact de commutation commute entre les deux positions de commutation (marche/arrêt) à chaque tentative d'accès valide. Cette fonction est optimale, par exemple pour une activation/désactivation sur un système d'alarme.

Procédez comme suit :

- La serrure à code doit être en mode veille, et la LED de contrôle s'allume en rouge.
- Activez le mode de programmation, voir chapitre 11 « Programmation » « b) Activer/quitter le mode de programmation ». Ensuite, la LED de contrôle clignote en rouge.

Par exemple : * 1 2 3 4 5 6 #

- Appuyez sur la touche [3]. La LED de contrôle s'allume en orange.
- Saisissez le temps/la fonction souhaité(e) :
 [0] = Mode commutation La sortie est commutée entre ouverte/fermée.
 [1] - [9][9] = la sortie est activée pour le temps spécifié (en secondes). Le préréglage est de 5 secondes.
 Exemple [5][5].
- Appuyez chaque fois sur [#] pour confirmer votre choix. La LED de contrôle clignote en vert pendant un court instant, puis clignote en rouge (mode de programmation).
- Pour quitter le mode de programmation, appuyez sur la touche [*]. La LED de contrôle s'allume de nouveau en rouge fixe, la serrure à code est en mode veille.

g) Fonction de sécurité en cas de tentatives d'accès invalides

Une alarme retentit ou l'accès est refusé à l'utilisateur (par ex. si l'on essaie de tester des transpondeurs) en bloquant la serrure à code. Cette fonction d'alarme peut être activée et désactivée, voir également le chapitre 11 « Programmation » « h) Réglage de la durée d'alarme ».

- Le bouton d'ouverture permet d'ouvrir le verrou de l'intérieur même lorsque l'alarme est active. Par contre, l'alarme n'est pas éteinte.

Les fonctions suivantes sont disponibles :

Verrouillage désactivé (configuration par défaut)

Les tentatives d'accès invalides sont ignorées.

Verrouillage pendant 10 minutes

Après 10 tentatives d'accès invalides au moyen d'un transpondeur, la serrure à code se verrouille pendant 10 minutes. La LED de contrôle (2) clignote en rouge. Pendant ce temps, il est également impossible d'activer l'accès au moyen de transpondeurs valides.

Déclenchement d'une alarme

Après 10 tentatives d'accès non valides au moyen d'un transpondeur, la serrure à code émet une tonalité d'alarme.

La durée de l'alarme est réglable (1 à 3 minutes, configuration par défaut : 1 minute), voir chapitre 11 « Programmation ». « h) Réglage de la durée d'alarme »).

Avec le code maître valide ou la lecture d'un transpondeur d'utilisateur valide, l'alarme peut être interrompue prématurément. L'alarme est désactivé par défaut.

Procédez de la manière suivante pour le réglage de la fonction de sécurité :

- La serrure à code doit être en mode veille, la LED de contrôle (2) s'allume en rouge.

- Activez le mode de programmation voir chapitre 11 « Programmation » « b) Activer/quitter le mode de programmation », la LED de contrôle (2) clignote alors en rouge.

Par exemple : * 1 2 3 4 5 6 #

- Appuyez sur la touche 4. La LED de contrôle (2) s'allume en orange.
- Saisissez la fonction souhaitée :
 - 0 = l'alarme est désactivée.
 - 1 = verrouillage de la serrure à code pendant 10 minutes.
 - 2 = l'alarme retentit pendant la durée définie ou jusqu'à ce qu'elle soit désactivée de manière valide dans cette durée (en saisissant le code maître+# ou en lisant un transpondeur valide).
- Appuyez chaque fois sur # pour confirmer votre choix. La LED de contrôle (2) s'allume en vert pendant un court instant, puis clignote en rouge.
- Pour quitter le mode de programmation, appuyez brièvement sur la touche *. La LED de contrôle (2) s'allume de nouveau en rouge fixe, la serrure à code est en mode veille.

h) Réglage de la durée d'alarme

La durée d'alarme de la fonction de sécurité et de l'alarme anti-sabotage est réglable 1 à 3 minutes, configuration par défaut : 1 minute). Procédez de la manière suivante pour modifier la durée d'alarme :

- La serrure à code doit être en mode veille, la LED de contrôle (2) s'allume en rouge.
- Activez le mode de programmation, voir chapitre 11 « Programmation » « b) Activer/quitter le mode de programmation », la LED de contrôle (2) clignote alors en rouge.

Par exemple : * 1 2 3 4 5 6 #

- Appuyez sur la touche 5. La LED de contrôle (2) s'allume en orange.
- Saisissez la fonction souhaitée :
 - 0 = les alarmes sont désactivées.
 - 1 - 3 = les alarmes retentissent pendant 1 à 3 minutes. (La configuration par défaut est d'une minute.)
- Veuillez confirmer la saisie en appuyant sur la touche #. La LED de contrôle (2) s'allume en vert pendant un court instant, puis clignote en rouge (mode de programmation).
- Pour quitter le mode de programmation, appuyez brièvement sur la touche *. La LED de contrôle (2) s'allume de nouveau en rouge fixe, la serrure à code est en mode veille.

i) Régler l'avertissement acoustique

Vous pouvez activer ou désactiver les signaux d'affichage et d'avertissement de la serrure à code.

Procédez de la manière suivante pour modifier les tonalités :

- La serrure à code doit être en mode veille, et la LED de contrôle s'allume en rouge.
- Activez le mode de programmation 11 « Programmation » « b) Activer/quitter le mode de programmation », la LED de contrôle clignote alors en rouge.

Par exemple : [*] [1] [2] [3] [4] [5] [6] [#]

- Veuillez confirmer votre entrée avec la touche [#]. La LED de contrôle s'allume brièvement en vert, puis de nouveau en orange.
- Appuyez sur la touche [6]. La LED de contrôle (2) s'allume en orange.
- Saisissez la fonction souhaitée :
 [3] = les tonalités d'alarme et de commande de la serrure à code sont désactivées.
 [4] = les tonalités d'alarme et de commande de la serrure à code sont activées.

→ Les tonalités sont activées par défaut.

- Pour quitter le mode de programmation, appuyez sur la touche [*]. La LED de contrôle s'allume de nouveau en rouge fixe, la serrure à code est en mode veille.

j) Régler l'avertissement visuel

Vous pouvez activer ou désactiver les signaux d'affichage et d'avertissement de la serrure à code.

Procédez comme suit pour régler l'affichage à LED :

- La serrure à code doit être en mode veille, et la LED de contrôle s'allume en rouge.
- Activez le mode de programmation 11 « Programmation »
« b) Activer/quitter le mode de programmation », la LED de contrôle clignote alors en rouge.

Par exemple : * 1 2 3 4 5 6 #

- Veuillez confirmer votre entrée avec la touche #. La LED de contrôle s'allume brièvement en vert, puis de nouveau en orange.
- Appuyez sur la touche 6. La LED de contrôle (2) s'allume en orange.
- Saisissez la fonction souhaitée :

1 = le témoin de contrôle à LED de la serrure à code est éteint.

2 = le témoin de contrôle à LED de la serrure à code est allumé.

→ L'affichage de contrôle à LED est allumé par défaut.

- Pour quitter le mode de programmation, appuyez sur la touche *. La LED de contrôle s'allume de nouveau en rouge fixe, la serrure à code est en mode veille.

k) Utilisation des transpondeurs maîtres

Configuration du transpondeur d'utilisateur avec transpondeur « Master Add Card »

Un transpondeur spécial appelé « Master Add Card » est fourni à la livraison. Il permet de configurer facilement un transpondeur d'utilisateur, car aucune saisie de code sur la télécommande IR n'est nécessaire.

Pour l'apprentissage, procédez comme suit :

- La serrure à code doit être en mode veille, la LED de contrôle (2) s'allume en rouge.
- Tenez le transpondeur de programmation fourni (portant l'inscription « Master Add Card ») devant la surface du capteur RFID (1) sur la serrure à code.
- Pour configurer un transpondeur d'utilisateur, tenez-le maintenant devant la surface du capteur RFID (1).
- La serrure à code émet un signal sonore et la LED de contrôle (2) s'allume brièvement en vert lorsque le transpondeur a été détecté. La LED de contrôle (2) s'allume à nouveau en orange.
- Le transpondeur d'utilisateur est ainsi enregistré en tant qu'utilisateur.
- Vous pouvez alors configurer un autre transpondeur d'utilisateur. Il suffit de le tenir devant la serrure à code et de confirmer la lecture, continuez à procéder comme décrit ci-dessus.

- Pour terminer le processus de configuration, tenez le transpondeur de programmation fourni (portant l'inscription « Master Add Card ») devant la surface du capteur RFID (1) sur la serrure à code.
- La LED de contrôle (2) s'allume de nouveau en rouge fixe, la serrure à code est en mode veille.

Supprimer le transpondeur d'utilisateur avec le transpondeur « Master Delete Card »

Un transpondeur spécial appelé « Master Delete Card » est fourni lors de la livraison. Il permet de supprimer facilement un transpondeur d'utilisateur, car aucune saisie de code sur la télécommande IR n'est nécessaire.

Pour la suppression, procéder comme suit :

- La serrure à code doit être en mode veille, la LED de contrôle (2) s'allume en rouge.
- Tenez le transpondeur à supprimer fourni (portant l'inscription « Master Delete Card ») devant la surface du capteur RFID (1) sur la serrure à code.
- Pour supprimer un transpondeur d'utilisateur, tenez-le juste à cet instant devant la surface du capteur RFID (1).
- La serrure à code émet un signal sonore et la LED de contrôle (2) s'allume brièvement en vert lorsque le transpondeur a été détecté. La LED de contrôle (2) s'allume à nouveau en orange.
- Le transpondeur utilisateur est supprimé.

- Lorsque le transpondeur ne se trouve pas dans la mémoire de la serrure à code, cette dernière émet 3 signaux sonores brefs, la LED de contrôle clignote en rouge, puis s'allume de nouveau en orange.
- Vous pouvez à présent supprimer un autre transpondeur utilisateur. Il suffit de le tenir devant la serrure à code et de confirmer la lecture, procédez de la même manière que ci-dessus.
 - Pour terminer la suppression, tenez le transpondeur à supprimer fourni (portant l'inscription « Master Delete Card ») devant la surface du capteur RFID (1) sur la serrure à code.
 - La LED de contrôle (2) s'allume de nouveau en rouge fixe, la serrure à code est en mode veille.

I) Réinitialiser aux réglages d'usine

- Couper l'alimentation du produit.
- Appuyez ensuite sur le bouton d'ouverture et maintenez-le enfoncé pendant la remise sous tension. Deux bips courts retentissent. Attendez que le témoin de contrôle à LED (2) s'allume en orange. Pour ce signal, vous devez relâcher à nouveau la touche. Lisez ensuite les deux transpondeurs maîtres fournis (portant la mention « Master Add Card » et « Master Delete Card ») sur la surface du capteur RFID (1) sur la serrure à code.
- Tous les réglages d'usine sont restaurés. La LED de contrôle (2) s'allume de nouveau en rouge fixe, la serrure à code est en mode veille.

→ Les deux transpondeurs maîtres sont également reprogrammés simultanément en tant que transpondeurs maîtres. Le premier transpondeur lu doit être celui portant la mention « Master Add Card » et le deuxième celui portant la mention « Master Delete Card ». Si cet ordre n'est pas respecté, les deux transpondeurs sont reprogrammés sur l'autre fonction pendant cette opération et sont donc inversés. Les inscriptions doivent être modifiées éventuellement par un nouveau marquage ou vous devez effectuer à nouveau le processus de correction pour reprogrammer les transpondeurs maîtres selon es inscriptions.

- Le premier transpondeur lu est celui permettant de configurer des nouveaux transpondeurs (= « Master Add Card »).
- Le transpondeur suivant est celui permettant de supprimer les transpondeurs configurés (= « Master Delete Card »).

→ Toutes les informations utilisateur et les informations de transpondeur éventuellement programmées sont conservées après une restauration des réglages d'usine.

12. Utilisation

a) Activer le contact de commutation (ouvrir et fermer la porte)

Activation via transpondeur d'utilisateur (carte EM)

Le transpondeur doit être tenu devant la surface du capteur (distance max. env. 4 cm). Si un transpondeur valide est détecté, la serrure à code émet un signal sonore, la LED de contrôle (2) s'allume en vert et le contact de commutation s'active. En mode commutation, une deuxième lecture du transpondeur ferme la serrure à code.

Activation du contact de commutation à l'aide d'un bouton d'ouverture

Si une touche d'ouvre-porte a été associée à la serrure à code, le contact de commutation peut être activé en appuyant brièvement sur la touche en question. La durée d'activation correspond à la durée d'utilisation d'un transpondeur d'utilisateur valide. En mode commutation, le bouton d'ouverture permet de changer la position de commutation du contact de commutation.

b) Arrêter la tonalité d'alarme / désactiver l'alarme

La serrure à code surveille le nombre de tentatives d'ouverture. Si une tentative d'ouverture a échoué 10 fois, une alarme se déclenche. Si l'alarme a été déclenchée, vous avez plusieurs possibilités pour l'arrêter.

L'alarme peut être arrêtée au moyen d'un transpondeur ou d'un code maître configuré sur la serrure à code.

- Tenez un transpondeur valide sur la serrure à code
- Saisissez le bon code maître+[#] à l'aide de la télécommande

13. Signaux sonores et affichages LED

Les LED (rouge et verte) se trouvent à l'avant de la serrure à code (2). Un générateur de son (buzzer) est également installé dans le boîtier. Les signaux des deux systèmes d'avertissement ont les fonctions suivantes :

État	DEL	Signal sonore
Veille	La LED de contrôle rouge s'allume	-
Activer le mode de programmation	la LED de contrôle rouge brille	un bip sonore

Mode de programmation activé	Les LED de contrôle s'allument en orange (les LED rouge et verte s'allument ensemble)	un bip sonore
Erreur de fonctionnement	-	trois bips courts
Quitter le mode de programmation	la LED de contrôle rouge s'allume	un bip court
Ouverture de l'antivol	La LED de contrôle verte s'allume	un bip sonore
Alarme déclenchée	la LED rouge de contrôle clignote rapidement	bips sonores constants

→ Veuillez vous reporter aux sections correspondantes de ce manuel pour une description détaillée des LED de contrôle et des signaux sonores.

14. Entretien et nettoyage



N'utilisez en aucun cas des produits de nettoyage agressifs, à base d'alcool ou toute autre solution chimique, car ceux-ci pourraient endommager le boîtier et nuire au bon fonctionnement de l'appareil.

- Utilisez un chiffon sec et non pelucheux pour nettoyer le boîtier de l'appareil.
- Avant chaque nettoyage intérieur, débranchez le produit de l'alimentation électrique.

15. Déclaration de conformité (DOC)

Conrad Electronic SE, Klaus-Conrad-Straße 1, D-92240 Hirschau, déclare par la présente que ce produit est conforme à la directive 2014/53/UE.

→ Le texte intégral de la déclaration de conformité UE est disponible au lien suivant :

www.conrad.com/downloads

Saisissez le numéro de commande du produit dans le champ de recherche et vous pourrez ensuite télécharger la déclaration de conformité de l'UE dans les langues disponibles.

16. Élimination des déchets



Les appareils électroniques sont des matériaux recyclables et ne doivent pas être éliminés avec les ordures ménagères. En fin de vie, éliminez l'appareil conformément aux dispositions légales en vigueur.

Vous respectez ainsi les ordonnances légales et contribuez à la protection de l'environnement.

17. Données techniques

Alimentation électrique	9 - 24 V/DC
Consommation de courant	(< 40 ma (typique au ralenti))
Charge admissible du contact de relais	max. 24 V/DC, 2 A
Transpondeur	Carte de transpondeur 125 kHz
Distance de lecture	≤ 4 cm
Longueur de l'ID d'utilisateur	4 à 6 chiffres
Utilisateurs programmables	2000 transpondeurs
Temps de relais	0 à 99 secondes (5 secondes en général)
Matériau.....	Zinc moulé sous pression et ABS (avant de l'appareil)
Lieu de montage.....	à l'intérieur et à l'extérieur
Conditions de fonctionnement/ de stockage	-40 à +60 °C,
Dimensions (Ø x H)	73 x 20 mm
Poids.....	180 g

	Pagina
1. Inleiding	108
2. Verklaring van de symbolen	109
3. Beoogd gebruik	109
4. Eigenschappen en functies	111
5. Veiligheidsinstructies	112
a) Algemeen	112
b) Aangesloten apparaten	114
c) Personen en product	114
d) Batterij	115
6. Bedieningselementen	116
7. Montage en aansluiting	117
a) Montage	117
8. Aansluitkabel	119
a) Aansluiting	120
b) Schakelschema's voor het aansluiten	122
c) Model van de deuropener	124
9. Ingebruikname	125
a) Afstandsbediening	125
b) Codeslot	125
10. Afstandsbediening	126

11. Programmering.....	126
a) Algemeen.....	126
b) Programmeermodus activeren/verlaten.....	128
c) Mastercode wijzigen.....	129
d) Gebruikerstransponder programmeren.....	130
e) Verwijderen van gebruikerstransponders.....	138
f) Alle gebruikersgegevens verwijderen.....	141
g) Veiligheidsfunctie voor ongeldige toegangspogingen.....	144
h) Alarmduur instellen.....	146
i) Akoestisch waarschuwingsgedrag instellen.....	147
j) Visueel waarschuwingsgedrag instellen.....	148
k) Gebruik van de mastertransponder.....	149
l) Resetten naar de fabrieksinstellingen.....	151
12. Bediening.....	153
a) Omschakelcontact activeren (deur openen en sluiten) ...	153
b) Alarmgeluid beëindigen/alarm uitschakelen.....	153
13. Geluidssignalen en visuele indicatoren.....	154
14. Onderhoud en reiniging.....	155
15. Conformiteitsverklaring (DOC).....	156
16. Verwijdering.....	156
17. Technische gegevens.....	157

1. Inleiding

Geachte klant,

Hartelijk dank voor de aankoop van dit product.

Het product voldoet aan alle wettelijke, nationale en Europese normen.

Om dit zo te houden en een veilig gebruik te garanderen, dient u als gebruiker de aanwijzingen in deze gebruiksaanwijzing op te volgen.



Deze gebruiksaanwijzing behoort bij dit product. Er staan belangrijke aanwijzingen in over de ingebruikname en het gebruik. Houd hier rekening mee als u dit product doorgeeft aan derden. Bewaar deze gebruiksaanwijzing daarom voor later gebruik!

Bij technische vragen kunt u zich wenden tot onze helpdesk.

Voor meer informatie kunt u kijken op www.conrad.nl of www.conrad.be

2. Verklaring van de symbolen



Het symbool met een bliksemschicht in een driehoek wordt gebruikt als er gevaar voor uw gezondheid bestaat bijv. door elektrische schokken.



Het symbool met een uitroepteken in een driehoek duidt op belangrijke aanwijzingen in deze gebruiksaanwijzing die beslist opgevolgd moeten worden.



U ziet het pijl-symbool waar bijzondere tips en aanwijzingen over de bediening worden gegeven.

3. Beoogd gebruik

Het product wordt hoofdzakelijk gebruikt voor de toegangsbeveiliging van deuren (bijv. van een kantoor) of het activeren/deactiveren van een alarminstallatie. Er kunnen maximaal 2000 gebruikers met verschillende transponders (EM-gebruikerskaarten) worden opgeslagen.

De aansturing is mogelijk via geschikte transponders. Als u een aangeleerde transponder voor het codeslot houdt, wordt een potentiaalvrij wisselcontact geactiveerd (contactbelastbaarheid zie hoofdstuk "Technische gegevens"). Hierover kan bijvoorbeeld een deuropener of een alarminstallatie worden aangestuurd. Het product is geschikt voor gebruik binnens- en buitenshuis (IP66). Door een relaisuitgang (1x omschakelcontact, max. 24 V/DC, 2 A) kan een deuropener maar ook andere apparaten worden

aangestuurd (bijv. een alarminstallatie). Het codeslot mag alleen worden gebruikt op een spanning van 9-24 V/DC.

In verband met veiligheid en normering zijn geen aanpassingen en/of wijzigingen aan dit product toegestaan. Als het product voor andere doeleinden wordt gebruikt dan de hiervoor beschreven doeleinden, kan het product beschadigd raken. Bovendien kan bij verkeerd gebruik een gevaarlijke situatie ontstaan met als gevolg bijvoorbeeld kortsluiting, brand, elektrische schok etc. Lees de gebruiksaanwijzing zorgvuldig door en bewaar deze goed. Geef het product alleen samen met de gebruiksaanwijzing door aan derden.

Alle vermelde bedrijfs- en productnamen zijn handelsmerken van de respectievelijke eigenaren. Alle rechten voorbehouden.

Omvang van de levering

- Transponder-codeslot (leest RFID-kaarten voor het autoriseren)
- Afstandsbediening met 1x CR2025
- 1 x diode
- 2x schroef
- 2x plug
- 1x binnenzeskantsleutel
- 1 x master-transponder "Master Add Card"
- 1 x master transponder "Master Delete Card"
- Programmeeroverzicht
- Gebruiksaanwijzing

Actuele gebruiksaanwijzingen

Download de meest recente gebruiksaanwijzing via de link www.conrad.com/downloads of scan de afgebeelde QR-code. Volg de instructies op de website.



4. Eigenschappen en functies

- Inbraakwerende metalen behuizing
- Beschermingsgraad IP66 (beschermd tegen weersinvloeden)
- Transponder-kaarttoegang
- 2000 gebruikerstransponders aanleerbaar
- Een relaisuitgang
- Sabotagealarm (klinkt bij onbevoegde opening van de behuizing)
- Gebruik in tijdschakeling of wisselschakeling mogelijk
- Meerkleurige led-functiecontrolelampje

5. Veiligheidsinstructies



Lees de gebruiksaanwijzing zorgvuldig door en let vooral op de veiligheidsinstructies. Als u de veiligheidsinstructies en de aanwijzingen voor een juiste bediening in deze gebruiksaanwijzing niet opvolgt, kunnen wij niet aansprakelijk worden gesteld voor het daardoor ontstane persoonlijke letsel of schade aan voorwerpen. Bovendien vervalt in dergelijke gevallen de aansprakelijkheid/garantie.

a) Algemeen

- Het product is geen speelgoed. Houd het buiten bereik van kinderen en huisdieren.
- Laat verpakkingsmateriaal niet achteloos rondslingeren. Dit kan gevaarlijk materiaal worden voor spelende kinderen.
- Bescherm het product tegen extreme temperaturen, direct zonlicht, zware schokken, hoge luchtvochtigheid, vocht, ontvlambare gassen, dampen en oplosmiddelen.
- Stel het product niet bloot aan welke mechanische belasting dan ook.



- Als het product niet langer veilig gebruikt kan worden, stel het dan buiten bedrijf en zorg ervoor dat niemand het per ongeluk kan gebruiken. Veilig gebruik kan niet langer worden gegarandeerd wanneer het product:
 - zichtbaar is beschadigd,
 - niet meer naar behoren werkt,
 - gedurende langere tijd onder ongunstige omstandigheden werd opgeslagen of
 - onderhevig is geweest aan ernstige vervoergerelateerde belastingen.
- Behandel het product met zorg. Schokken, stoten of zelfs vallen vanaf een geringe hoogte kunnen het product beschadigen.
- Raadpleeg een vakman wanneer u twijfelt over het juiste gebruik, de veiligheid of het aansluiten van het product.
- Laat onderhoud, aanpassingen en reparaties alleen uitvoeren door een specialist of in een servicecentrum.
- Als u nog vragen hebt die niet door deze gebruiksaanwijzing zijn beantwoord, neem dan contact op met onze technische dienst of andere specialisten.



b) Aangesloten apparaten

- Neem ook de veiligheidsinstructies en gebruiksaanwijzingen van alle andere apparaten in acht die met het product zijn verbonden.

c) Personen en product

- Zorg dat elektrische apparaten niet met vloeistof in contact komen. Zet voorwerpen waar vloeistof in zit niet naast het apparaat. Mocht er toch vloeistof of een voorwerp in het apparaat terecht zijn gekomen, schakelt u in dat geval de bijbehorende stroomkabel stroomvrij (bijv. door het uitschakelen van de zekering). Het product mag daarna niet meer worden gebruikt; breng het naar een servicecentrum.
- Gebruik het product nooit meteen nadat het vanuit een koude naar een warme ruimte werd overgebracht. De condens die hierbij ontstaat, kan in bepaalde gevallen het product onherstelbaar beschadigen. Laat het product eerst op kamertemperatuur komen voordat u het aansluit en gebruikt. Dit kan eventueel enkele uren duren.



- Het relais-omschakelcontact beschikt over een contactbelastbaarheid van max. 24 V/DC, 2 A. Het relais mag nooit met hogere of andere spanningen (zoals bijv. netspanning) of hogere stromen worden gebruikt. Er bestaat eventueel gevaar voor een elektrische schok!

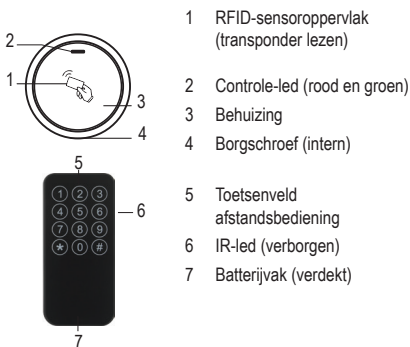
d) Batterij

- Let op de juiste polariteit bij het plaatsen van de batterijen (plus/+ en min/-).
- Verwijder de batterij als u het apparaat langere tijd niet gebruikt, om beschadigingen door lekken te vermijden. Lekkende of beschadigde batterijen kunnen bij contact met de huid chemische brandwonden veroorzaken. Gebruik daarom veiligheidshandschoenen om beschadigde batterijen aan te pakken.
- Bewaar batterijen buiten het bereik van kinderen. Laat batterijen niet rondslingeren omdat het gevaar bestaat dat kinderen of huisdieren ze inslikken. Raadpleeg bij inslikken onmiddellijk een arts, er bestaat levensgevaar!
- Batterijen mogen niet worden ontmanteld, kortgesloten of verbrand. Probeer nooit niet-oplaadbare batterijen op te laden. Er bestaat explosiegevaar!



- Bewaar batterijen daarom op een daarvoor geschikte plek. Zie voor het milieuvriendelijke weggooien van batterijen het hoofdstuk "Verwijdering".

6. Bedieningselementen



7. Montage en aansluiting

a) Montage



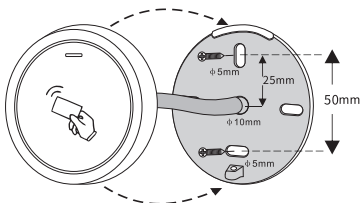
Geen enkele aansluitkabel mag geknikt of ingeklemd worden. Shortingen, kortsluiting evenals een defect apparaat kunnen het gevolg zijn. Het aansluiten is alleen in spanningsloze toestand toegestaan.

- Verwijder het bovenste deel van de behuizing met de RFID-sensor van de montageplaat. Draai hiervoor de borgschroef (4) aan de onderkant los met de meegeleverde binnenzeskantsleutel en verwijder het bovenste deel.
- Gebruik de montageplaat als sjabloon, richt deze verticaal op het bevestigingsoppervlak en teken de twee bevestigingsgaten aan.
- Boor de gaten en plaats de pluggen (bij de levering inbegrepen), afhankelijk van het montageoppervlak. Gebruik de schroeven alleen op houten of metalen oppervlakken.



Gebruik voor het vastschroeven de meegeleverde bevestigingsschroeven en indien nodig de meegeleverde pluggen (bij metselwerk). Zorg er tijdens het boren en vastschroeven op verschillende oppervlakken voor dat u geen kabels of leidingen beschadigt.

- Monteer de montageplaat aan de wand. De aansluitkabel wordt door de kabeltoevoer in het midden van de achterwand geleid.



- Sluit het product aan op de schroefklemmen. Raadpleeg hoofdstuk 8 paragraaf "a) Aansluiting" voor details over het aansluiten.
- Sluit de verbindingkabels aan volgens de volgende circuitvoorbeelden. Let op geschikte isolatie (bijv. krimpkous).
- Voor het aansluiten van een deuropener wordt een geschikte beschermingsdiode meegeleverd. Dit beschermt het codeslot tegen beschadigingen veroorzaakt door spanningspieken.
- Let op de juiste polariteit, zie de volgende aansluitvoorbeelden (de witte ring op de beveiligingsdiode moet in de richting van pluspool/+ wijzen bij het aansluiten).



Opgelet! De netspanning mag nooit over het spanningsvrije wisselcontact worden geschakeld! Er bestaat levensgevaar door een elektrische schok! Neem de toegestane contactbelasting in acht; zie hoofdstuk "Technische gegevens".

- Gebruik geschikte kabels in verschillende kleuren. Schrijf de kleurtoewijzing op; bewaar deze informatie samen met deze gebruiksaanwijzing. Let bij het aansluiten van de kabels op de juiste polariteit (plus/+ en min/-).
- Plaats het codeslot op de montageplaat. Zorg er hierbij voor dat er geen kabels bekneld raken. Het codeslot kan met de borgschroef (4) aan de onderzijde op de montageplaat worden bevestigd. Gebruik de bij de schroef passende binnenzeskantsleutel die bij de levering is inbegrepen.

8. Aansluitkabel

Kleur	Functie
rood	Positieve pool tot 9 - 24 V/DC (geregeld)
zwart	Aardingsaansluiting minpool (GND)
wit	Normaal open contact voor relais in Fail-Secure uitvoering (NO)
bruin	COM-contact van het relais
groen	Normaal gesloten contact voor relais in Fail-Safe uitvoering (NC)
geel	Aansluiting voor de openingsknop

Aansluiting voor bedrijfsspanning (draden: rood + zwart)

Hierop moet de bedrijfsspanning (9 - 24 V/DC) worden aangesloten. Let op de juiste polariteit. Het codeslot zelf vereist een stroom van max. 100 mA. Hierbij komt nog de stroom voor de sirene op de alarmuitgang (maximaal 2 A).

Potentiaalvrij wisselcontact (draden: wit + bruin + groen)

Het potentiaalvrije wisselcontact (belastingcapaciteit van de contacten zie hoofdstuk "Technische gegevens") wordt geactiveerd na een succesvolle toegangspoging (correcte transponderkaart). De schakelduur kan worden geprogrammeerd (max. 99 seconden). Afwisselend bedrijf is ook mogelijk.

Ingang voor aparte deuropenertoets (draad: geel)

Het potentiaalvrije wisselcontact kan worden geactiveerd door op een knop te drukken (normaal open contact, sluiters). Dit kan bijv. voor het handmatig activeren van een deuropener worden gebruikt. Als er meerdere druktoetsen worden aangesloten, dienen deze parallel te worden geschakeld.

a) Aansluiting

- Sluit de kabels aan op de passende schroefklemmen van het codeslot. Twee schakelvoorbeelden vindt u in paragraaf "b) Schakelschema voor het aansluiten".
- Bij het aansluiten van de bedrijfsspanning moet een gelijkspanning van maximaal 24 V worden gebruikt. De gelijkspanning moet op de montageplaats ter beschikking staan (bijv. deurbeltransformator of netspanningsadapter etc.).

Bij gelijkspanning (DC) dient er bij het aansluiten op de juiste polariteit (plus/+ en min/-) te worden gelet.

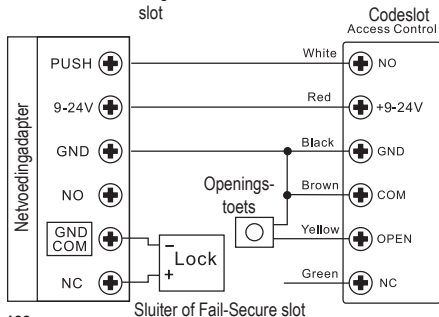
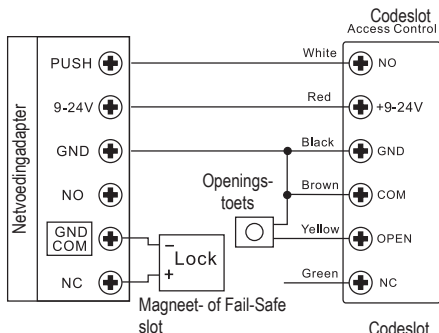


Sluit hier bijv. nooit een netspanning aan! Levensgevaar door een elektrische schok!

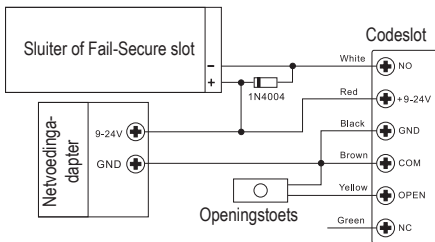
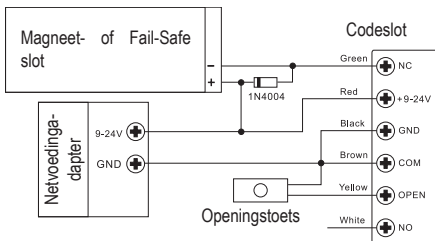
- Aan de schroefklemmen "OPEN" en "COM" kan de knop van de deuropener worden aangesloten, die bijvoorbeeld binnen in de ruimte naast de deur wordt aangebracht. Indien nodig, kunt u hier ook meerdere toetsen van andere deuropeners in een parallelle schakeling aansluiten.
- Om te voorkomen dat ESD (elektrostatische ontladingen) interferenties die de functie van het codeslot beïnvloeden, dient u altijd een aarde aan te sluiten.
- De meegeleverde diode dient zo dicht mogelijk met de sluitcontacten te worden verbonden om te voorkomen dat een door wederkerige inductie in de sluiterspoel gegenereerde stroom het codeslot kan beschadigen.
- Plaats het codeslot op het onderste deel als u klaar bent met de aansluiting. Let erop dat de kabels niet bekneld raken of losraken van de schroefklemmen.
- Gebruik evt. kabelbinders voor het bevestigen en rangschikken van de kabels.
- Schakel de bedrijfsspanning in. De rode controle-led (stand-by) brandt.

b) Schakelschema's voor het aansluiten

Speciale netvoedingadapter voor toegangscontrolesystemen



Voeding via een gewone netvoedingadapter



→ Als u een gewone netvoedingadapter voor relais en codeslot gebruikt, moet u een diode (1N4004) installeren. Anders kan het codeslot beschadigd raken.

c) Model van de deuropener

Het codeslot kan met fail-secure of fail-safe deuropeners worden gebruikt. Let bij het aansluiten op de volgende punten.

- "Fail-Secure"-deuropener: Deze geeft de vergrendeling alleen dan vrij wanneer er bedrijfsspanning op staat (gebruikelijke constructie).
- "Fail-Safe"-deuropener: Deze geeft de vergrendeling vrij wanneer de voedingsspanning ontbreekt (ongebruikelijke constructie, wordt bijvoorbeeld gebruikt voor nooduitgangen, omdat bij stroomuitval de deur dan geopend kan worden).

→ De aansluiting van dit codeslot is afhankelijk van het type van de gebruikte deuropener. Lees in paragraaf "a) Aansluiting" op welke contacten de deuropener moet worden aangesloten.

→ Bepaal het type deuropener dat wordt gebruikt. Een fail-secure deuropener heeft kortstondig een relatieve hoge spanning nodig voor het openen en is zodoende niet geschikt voor langdurige belastingen.

9. Ingebruikname

a) Afstandsbediening

- Als er een kleine transparante plastic strip uitsteekt aan de onderkant van de IR-afstandsbediening, is de batterij al geplaatst. Trek de plastic strip uit de IR-afstandsbediening en vervolgens is deze klaar voor gebruik.
 - Het vervangen van de batterij is noodzakelijk, als het codeslot onder normale omstandigheden (schone infraroodsensor (5), direct zichtveld) niet meer reageert op de commando's van de afstandbediening.
 - Om de batterij te vervangen, trekt u gewoon de batterijhouder (7) aan de onderkant van de afstandsbediening uit. Vervang de gebruikte batterij (1x CR2025) door een nieuwe. Duw de batterijhouder in de juiste richting terug in de afstandsbediening (de pluspool/+ van de batterij wijst naar de onderkant van de IR-afstandsbediening).
- Het vervangen van de batterij is noodzakelijk als het bereik aanzienlijk is gedaald in de loop van de tijd of het codeslot niet meer reageert op de afstandsbediening.

b) Codeslot

- Schakel de bedrijfsspanning in na montage en aansluiting.
- Het codeslot geeft een kort akoestisch signaal. De controle-led (2) bovenop het codeslot brandt helder rood.

10. Afstandsbediening



Cijfertoetsen 0 tot 9

Asterisk-toets

Hekje-toets

De afstandsbediening wordt gebruikt om het codeslot te programmeren door op een knop te drukken. Als u daarna wordt gevraagd een nummer in te voeren, gebruikt u hiervoor de overeenkomstige toets op de afstandsbediening.

- Richt de afstandsbediening op het codeslot om instellingen te maken en gebruikers te programmeren.
- Druk op de aangewezen toets zoals weergegeven.
- Een geluidssignaal van het codeslot bevestigt elke invoer.

11. Programmering

a) Algemeen

- U kunt de programmering op de plaats van installatie resp. voor de montage al in een werkplaats uitvoeren om de gehele installatietijd ter plaatse te verminderen.

Koppel het codeslot tijdens het programmeren niet los van de voeding. Dit kan leiden tot geheugenfouten, waardoor de bestaande data of programmering verloren kunnen raken. Let op de volgende belangrijke informatie:

- Om de programmeermodus te activeren, is de mastercode vereist. Dit is in de fabrieksinstellingen "123456".

→ Programmeren door cijfers in te voeren gebeurt met de toetsen op de afstandsbediening.

- Elke transpondergebruiker kan een specifieke gebruikers-ID toegewezen krijgen (dit is een nummer van 1 ... 2000, zonder voorloop "0"). Het aanleren en opslaan van transponders is in principe ook mogelijk zonder een gebruikers-ID in te voeren (het codeslot wijst dit automatisch toe). In dit geval kan een bepaalde gebruiker later echter alleen afzonderlijk worden verwijderd, als zijn transponder ook beschikbaar is.
- Daarom raden wij u aan om voor elke transponder die u op het codeslot wilt aanleren, ook een gebruikers-ID toe te wijzen.
- Deze dient u samen met andere gegevens (naam van de medewerker, toegang via transponder) in een lijst te registreren.
- Als transponder kan elke standaard EM-transponder worden gebruikt, die werkt met een transponderfrequentie van 125 kHz.

b) Programmeermodus activeren/verlaten

Om naar de programmeermodus te gaan, hebt u de mastercode nodig die u moet invoeren met behulp van de IR-afstandsbediening. In de fabrieksinstelling van het codeslot (of na een reset) is de mastercode "123456".

→ In de volgende programmeervoorbeelden wordt "123456" als mastercode gebruikt (dit is de fabrieksinstelling voor de mastercode).

Wijzig de mastercode uiterlijk wanneer het programmeren is voltooid.

Programmeermodus activeren:

- De controle-led (2) boven aan het codeslot moet rood oplichten, het codeslot bevindt zich in de stand-by-modus.
- Druk op de toets . Als het codeslot het IR-signaal van de afstandsbediening heeft herkend, knippert de controle-led (2) op het codeslot rood (na 5 seconden zonder verdere invoer keert het codeslot automatisch terug naar de stand-by-modus (controle-led (2) licht weer rood op).
- Voer de mastercode in (in de standaard fabrieksinstelling "123456"):

- Bevestig de invoer met de toets .

- De mastercode "123456" moet door u zoals in hoofdstuk 11 "Programming". "c) Mastercode wijzigen" beschreven worden gewijzigd voordat u het codeslot in de regelmodus gebruikt.
- Het codeslot geeft een akoestisch signaal en de controle-led (2) licht kort rood op. Vervolgens licht de controle-led (2) oranje op. De programmeermodus is actief.

Programmeermodus verlaten:

- Druk op de toets **[*]**. De controle-led (2) licht constant rood op.
- De programmeermodus wordt automatisch na 30 seconden afgesloten als er geen programmering wordt uitgevoerd. Het codeslot staat dan opnieuw in de stand-by-modus (controle-led (2) licht rood op).

c) Mastercode wijzigen

- Het codeslot moet in stand-by staan en de controle-led (2) licht rood op.
- Activeer de programmeermodus, zie hoofdstuk 11 "Programming". Paragraaf "b) Programmeermodus activeren/verlaten", vervolgens knippert de controle-led (2) rood.

Voorbeeld: **[*]** **[1]** **[2]** **[3]** **[4]** **[5]** **[6]** **[#]** (Fabrieksinstelling)

- Druk op de toets **[0]**. De controle-led (2) licht oranje op.
- Voer de nieuwe mastercode in,
bijvoorbeeld: **[4][5][6][7][8][9]**

→ De mastercode moet altijd 6 cijfers bevatten.

- Bevestig de invoer met de toets **[#]**. Voer de nieuwe mastercode opnieuw in om te bevestigen:

[4][5][6][7][8][9]

- Bevestig de invoer met de toets **[#]**. De controle-led (2) licht eventjes groen op om te bevestigen, daarna knippert deze rood.
- Druk op de toets **[*]**, om de programmeermodus te verlaten. De controle-led (2) licht nu weer constant rood op, het codeslot bevindt zich in de stand-by-modus.

d) Gebruikerstransponder programmeren

Algemeen:

- Aan de gebruikerstransponders kunnen specifieke gebruikers-ID's worden toegewezen (dit is een nummer van **[1]** tot **[2][0][0][0]**, zonder voorloop "0").
- Het is ook mogelijk om gebruikerstransponders aan te leren zonder gebruikers-ID. Dit versnelt het aanleerproces.
- Als bij het aanleren van een transponder geen specifieke gebruikers-ID is opgegeven, neemt het codeslot automatisch de eerstvolgende vrije gebruikers-ID aan - maar het is dan niet meer mogelijk om te bepalen welke is toegewezen.



Als u geen specifieke gebruikers-ID aan een gebruiker toewijst en deze in een lijst opneemt, kan dit later tot problemen leiden.

Want als een medewerker het bedrijf verlaat of als een gebruikerstransponder verloren gaat, is het niet meer mogelijk om te achterhalen welke gebruikers-ID moet worden verwijderd.

In plaats van simpelweg een gebruikers-ID te verwijderen met de daarvoor opgeslagen transponder, zouden alle gegevens die zijn opgeslagen in het codeslot om veiligheidsredenen moeten worden verwijderd om ongeoorloofde toegang te voorkomen.

We raden u daarom aan om aan elke bevoegde persoon een gebruikers-ID toe te wijzen en alle gegevens (naam van de werknemer, gebruikers-ID of transponderinformatie, etc.) in een lijst te registreren.

Mogelijkheid 1: Automatisch aanleren van een gebruikerstransponder zonder een specifieke gebruikers-ID

Het codeslot gebruikt automatisch de volgende vrije gebruikers-ID, maar er kan niet worden vastgesteld welke het is:

- Het codeslot moet in stand-by staan en de controle-led (2) licht rood op.
- Activeer de programmeermodus, zie hoofdstuk 11 "Programming" "b) Programmeermodus activeren/verlaten", de controle-led (2) knippert vervolgens rood.

Voorbeeld: * 1 2 3 4 5 6 #

- Druk op de toets **[1]**. De controle-led (2) licht oranje op. Het codeslot bevindt zich nu in de aanleermodus.
- Houd een gebruikerstransponder tegen het RFID-sensoroppervlak (1). Het codeslot geeft een akoestisch signaal als de transponder is uitgelezen.
- De nieuwe gebruikerstransponder wordt opgeslagen onder de automatisch toegewezen gebruikers-ID.

→ Als een transponder niet werd gelezen en herkend, voer dan het aanleerproces opnieuw uit.

Een reeds aangeleerde/opgeslagen transponder kan niet aan een andere gebruikers-ID worden toegewezen.

- U kunt nu een andere gebruikerstransponder aanleren. De volgende gebruikers-ID wordt automatisch toegekend. U kunt vervolgens op dezelfde manier als hierboven beschreven andere transponders aanleren.
- Houd de volgende gebruikerstransponder tegen het RFID-sensoroppervlak. Het codeslot geeft een akoestisch signaal als de transponder is uitgelezen.
- Herhaal dit totdat u alle benodigde transponders heeft aangeleerd (er zijn maximaal 2000 gebruikerstransponders mogelijk).
- Als het gewenste maximum aantal transponders is toegevoegd, drukt u op de toets **[#]** om het toevoegen van kaarten te beëindigen. De led-indicator (2) knippert rood.

- Druk op de toets ***** om de programmeermodus te verlaten. De led-indicator (2) verandert in constant rood om aan te geven dat het codeslot zich in de stand-by-modus bevindt.

Mogelijkheid 2: Aanleren van een gebruikerstransponder met handmatige toewijzing van een gebruikers-ID:

Het codeslot gebruikt de ingevoerde gebruikers-ID, die later als referentie voor de betreffende gebruiker kan worden gebruikt.

- Het codeslot moet in stand-by staan en de controle-led (2) licht rood op.
- Activeer de programmeermodus, zie hoofdstuk 11 "Programming" "b) Programmeermodus activeren/verlaten". De controle-led (2) knippert vervolgens rood.

Voorbeeld: ***** **1** **2** **3** **4** **5** **6** **#**

- Druk op de toets **1**. De controle-led (2) licht oranje op. Het codeslot bevindt zich nu in de aanleermodus.
- Voer een gebruikers-ID in (een getal van **1** tot **2101010**).
- Bevestig het gebruikers-ID met de toets **#**. De controle-led (2) licht kort groen en daarna weer oranje op.
- Houd een gebruikerstransponder tegen het RFID-sensoroppervlak (1). Het codeslot geeft een akoestisch signaal als de transponder is uitgelezen.
- De gebruikerstransponder wordt opgeslagen onder de handmatig toegewezen gebruikers-ID.

→ Als een transponder niet werd gelezen en herkend, voert u het aanleerproces opnieuw uit.

Als er al een gebruikers-ID is ingevoerd, waarvoor al een gebruikerstransponder is opgeslagen, mislukt het aanleerproces.

Een reeds aangeleerde/opgeslagen transponder kan met een andere handmatig toegewezen gebruikers-ID niet opnieuw worden aangeleerd.

- U kunt nu een andere gebruikerstransponder aanleren. Voer de volgende gebruikers-ID handmatig in.
 - Houd de volgende gebruikerstransponder tegen het RFID-sensoroppervlak. Het codeslot geeft een akoestisch signaal als de transponder is uitgelezen.
 - Herhaal deze procedure totdat u alle benodigde transponders heeft aangeleerd (er zijn maximaal 2000 gebruikerstransponders mogelijk).
- Het codeslot heeft ook een functie voor het automatisch aanleren van een groter aantal gebruikerstransponders, zie paragraaf "Mogelijkheid 4: Gebruikerstransponders met doorlopende transpondernummers in serie aanmaken".
- Als het gewenste maximum aantal transponders is toegevoegd, drukt u op de toets [#] om het toevoegen van kaarten te beëindigen. De led-indicator (2) knippert rood.
 - Druk op de toets [*] om de programmeermodus te verlaten. De led-indicator (2) verandert in constant rood om aan te geven dat het codeslot zich in de stand-by-modus bevindt.

- Druk ten slotte op de toets **[*]**. Het aanleren wordt beëindigd en de programmeermodus wordt verlaten. De controle-led (2) licht nu weer constant rood op en het codeslot bevindt zich in de stand-by-modus.

Mogelijkheid 3: Aanleren van een gebruikerstransponder door het invoeren van het 8/10-cijferige transpondernummer:

Na het invoeren van het 8-/10-cijferige transpondernummer koppelt het codeslot automatisch de eerstvolgende vrije gebruiker-ID aan dit transpondernummer. Het is echter niet extern zichtbaar welke gebruikers-ID dit is. Om een gebruikerstransponder aan te leren, gaat u als volgt te werk:

- Het codeslot moet in stand-by staan en de controle-led (2) licht rood op.
- Activeer de programmeermodus, zie hoofdstuk 11 "Programmering" "b) Programmeermodus activeren/verlaten", de controle-led (2) knippert vervolgens rood.

Voorbeeld: **[*] [1] [2] [3] [4] [5] [6] [#]**

- Druk op de toets **[1]**. De controle-led (2) licht oranje op. Het codeslot bevindt zich nu in de aanleermodus.
- Voer het 8-cijferige of 10-cijferige transpondernummer in. Bevestig dit met de toets **[#]**. De indicatie-led licht kort groen en daarna weer oranje op.
- De nieuwe gebruikerstransponder wordt opgeslagen met de automatisch toegewezen gebruikers-ID.

- Een transponder die al is aangeleerd/opgeslagen, kan niet opnieuw worden aangeleerd. In dit geval geeft het codeslot 3 korte geluidssignalen af, knippert de controle-led rood en licht het vervolgens opnieuw oranje op.
- U kunt nu nog een gebruikerstransponder aanleren. Begin hiervoor met het invoeren van het 8 of 10-cijferige transpondernummer.
 - Leer het gewenste of maximale aantal transponders aan.
 - Druk ten slotte op de toets **[*]**. Het aanleren wordt beëindigd en de programmeermodus wordt verlaten. De controle-led (2) licht nu weer constant rood op en het codeslot bevindt zich in de stand-by-modus.

Mogelijkheid 4: Gebruikerstransponders met opeenvolgende transpondernummers in serie aanleggen

Wilt u een groter aantal gebruikerstransponders in het codeslot opslaan en beschikt u over transponders met opeenvolgende 8- of 10-cijferige transpondernummers, dan heeft het codeslot hiervoor een eigen functie.

- Het transpondernummer moet ononderbroken zijn, zonder leemten in de volgorde van de nummers. Zorg voor deze voorwaarde voor uw transponderkaarten.

Ga als volgt te werk:

- Het codeslot moet in stand-by staan en de controle-led (2) licht rood op.

- Activeer de programmeermodus, zie hoofdstuk 11 “Programmering” “b) Programmeermodus activeren/verlaten”, de controle-led (2) knippert vervolgens rood.

Voorbeeld: * 1 2 3 4 5 6 #

- Druk op de toets 1. De controle-led (2) licht oranje op. Het codeslot bevindt zich nu in de aanleermodus.
- Voer een beginnummer in als de gebruikers-ID (een nummer van 1 ... 2 0 0 0 is theoretisch mogelijk). Vanaf deze worden de transponders opgeslagen.

→ Zorg ervoor dat er voldoende vrije geheugen voor de transponders is na de eerste gebruikers-ID, anders meldt het codeslot een fout. Beginnen met een gebruikers-ID van 1999 zou natuurlijk niet veel zin hebben, omdat handmatige programmering in dit geval volledig voldoende zou zijn.

- Bevestig de eerste gebruikers-ID met de toets #. De indicatie-led licht kort groen en daarna weer oranje op.
- Voer het aantal transponders in die moeten worden opgeslagen. Bevestig dit met de toets #. De indicatie-led licht kort groen en daarna weer oranje op.
- Voer het eerste 8-cijferige of 10-cijferige transpondernummer in. Bevestig dit met de toets #. De indicatie-led licht kort groen en daarna weer oranje op.
- Alle gebruikerstransponders zijn nu opgeslagen als geautoriseerde toegang, te beginnen met de eerste gebruikers-ID.

→ Er kunnen maximaal 2000 transponders in één keer worden opgeslagen. Het proces duurt ongeveer 3 minuten.

- Om het aanleren te beëindigen, zodra het gewenste resp. maximale aantal transponders is aangeleerd en om de programmeermodus te verlaten, drukt u ten slotte op de toets **[*]**. De controle-led (2) licht nu weer constant rood op, het codeslot bevindt zich in de stand-by-modus.

e) Verwijderen van gebruikerstransponders

Mogelijkheid 1: Verwijderen van een gebruikerstransponder zonder bepaalde gebruikers-ID

- Het codeslot moet in stand-by staan en de controle-led (2) licht rood op.
- Activeer de programmeermodus, zie hoofdstuk 11 "Programming". "b) Programmeermodus activeren/verlaten", de controle-led (2) knippert vervolgens rood.

Voorbeeld: **[*]** **[1]** **[2]** **[3]** **[4]** **[5]** **[6]** **[#]**

- Druk op de toets **[2]** op de afstandsbediening. De controle-led (2) licht oranje op. Het codeslot bevindt zich nu in de verwijdermodus.
- Om een gebruikerstransponder te verwijderen, houdt u deze gewoon voor het RFID-sensoroppervlak (1).
- Het codeslot laat een geluidssignaal horen en de controle-led (2) licht kort groen op wanneer de transponder herkend wordt. Vervolgens licht de controle-led (2) weer oranje op.

- De gebruikerstransponder is verwijderd. Als de transponder niet wordt gevonden in het codeslotgeheugen, laat het codeslot 3 korte geluidssignalen horen, knippert de controle-led (2) rood en wordt vervolgens weer oranje.
- U kunt nu een andere gebruikerstransponder verwijderen. Houd hem gewoon voor het codeslot.
- Om het verwijderproces te beëindigen en de programmeermodus te verlaten, drukt u op de toets **[*]**. De controle-led (2) licht nu weer constant rood op, het codeslot bevindt zich in de stand-by-modus.

Mogelijkheid 2: Transponders via bepaalde gebruikers-ID's verwijderen

- Het codeslot moet in stand-by staan en de controle-led (2) licht rood op.
- Activeer de programmeermodus, zie hoofdstuk 11 "Programming" "b) Programmeermodus activeren/verlaten", de controle-led (2) knippert vervolgens rood.

Voorbeeld: **[*] [1] [2] [3] [4] [5] [6] [#]**

- Druk op de toets **[2]** op de afstandsbediening. De controle-led (2) licht oranje op. Het codeslot bevindt zich nu in de verwijdermodus.
- Voer de te verwijderen gebruikers-ID in via de afstandsbediening en sluit de invoer af met de toets **[#]**.

Voorbeeld: **[1] [2] [#]**

- Het codeslot laat een geluidssignaal horen en de controle-led (2) licht kort groen op wanneer de transponder herkend wordt. Vervolgens licht de controle-led (2) weer oranje op. De gebruikers-ID voor deze transponder is verwijderd.
- Als de gebruikers-ID niet wordt gevonden in het codeslotgeheugen, laat het codeslot 3 korte geluidssignalen horen, knippert de controle-led (2) rood en wordt vervolgens weer oranje.
- U kunt nu andere gebruikers-ID's verwijderen.
 - Als voldoende transponders zijn verwijderd, drukt u op de toets [#] om het verwijderen te beëindigen. De led-indicator (2) knippert rood.
 - Druk op de toets [*] om de programmeermodus te verlaten. De led-indicator (2) verandert in constant rood om aan te geven dat het codeslot zich in de stand-by-modus bevindt.

Mogelijkheid 3: Gebruikerstransponder door invoer van het 8-/10-cijferige transpondernummer verwijderen

- Het codeslot moet in stand-by staan en de controle-led (2) licht rood op.
- Activeer de programmeermodus, zie hoofdstuk 11 "Programming". "b) Programmeermodus activeren/verlaten", de controle-led (2) knippert vervolgens rood.

Voorbeeld: [*] [1] [2] [3] [4] [5] [6] [#]

- Druk op de toets **[2]** op de afstandsbediening. De controle-led (2) licht oranje op. Het codeslot bevindt zich nu in de verwijdermodus.
- Om een gebruikerstransponder te verwijderen, voert u het 8-cijferige of 10-cijferige transpondernummer in. Bevestig dit met de toets **[#]**.
- Het codeslot laat een geluidssignaal horen en de controle-led (2) licht kort groen op wanneer de transponder herkend wordt. Vervolgens licht de controle-led (2) weer oranje op.
- De gebruikerstransponder is verwijderd.

→ Als de transponder niet wordt gevonden in het codeslotgeheugen, laat het codeslot 3 korte geluidssignalen horen, knippert de controle-led (2) rood en wordt vervolgens weer oranje.

- U kunt nu een andere gebruikerstransponder verwijderen. Voer andere 8-cijferige of 10-cijferige transpondernummers in.
- Druk op de toets **[#]** om het verwijderen te beëindigen. De led-indicator (2) knippert rood.
- Druk op de toets **[*]** om de programmeermodus te verlaten. De led-indicator (2) verandert in constant rood om aan te geven dat het codeslot zich in de stand-by-modus bevindt.

f) Alle gebruikersgegevens verwijderen

Met deze functie worden alle gebruikersgegevens (alle transponders) uit het geheugen van het codeslot verwijderd. De configuratiegegevens blijven echter behouden.

Ga als volgt te werk:

- Het codeslot moet in de stand-by-modus staan, de controle-led licht rood op.
- Activeer de programmeermodus, zie hoofdstuk 11 "Programmering" "b) Programmeermodus activeren/verlaten", waarna de controle-led rood knippert.

Voorbeeld: [*] [1] [2] [3] [4] [5] [6] [#]

- Druk op de toets [2]. De indicatie-led licht oranje op. Het codeslot bevindt zich nu in de verwijdermodus. Voer de mastercodecode opnieuw in.

Bijvoorbeeld: [1] [2] [3] [4] [5] [6]

- Bevestig de invoer met de toets [#]. De indicatie-led licht kort groen en daarna weer oranje op.
- Alle gebruikersgegevens (transponders) worden verwijderd.
- Om het verwijderproces te beëindigen en de programmeermodus te verlaten, drukt u op de toets [*]. De indicatie-led brandt nu weer constant rood, het codeslot bevindt zich in de stand-by-modus.

Stel de activeringsduur in voor de relaisuitgang in tijdschakeling of omschakelmodus (wisselschakeling)

Het potentiaalvrije wisselcontact van het codeslot kan via een transponder worden geactiveerd.

Volgende functies zijn mogelijk:

- Het wisselcontact wordt geactiveerd gedurende 2 ... 99 seconden (basisinstelling 5 seconden); ideaal voor bijvoorbeeld een deuropener.

- Het wisselcontact wordt gedurende 100 ms geactiveerd (impulsbedrijf); ideaal voor het aansturen van bijvoorbeeld een alarmsysteem.
- Omschakelmodus: Het omschakelcontact schakelt bij elke geldige toegangspoging heen en weer tussen de beide schakelstanden (op/dicht). Dit is ideaal voor bijvoorbeeld het in-/uitschakelen van een alarmsysteem.

Ga als volgt te werk:

- Het codeslot moet in de stand-by-modus staan, de controle-led licht rood op.
- Activeer de programmeermodus, zie hoofdstuk 11 "Programmering" "b) Programmeermodus activeren/verlaten". Vervolgens knippert de controle-led rood.

Voorbeeld: [*] [1] [2] [3] [4] [5] [6] [#]


- Druk op de toets [3]. De indicatie-led licht oranje op.
- Voer de gewenste tijd/functie in:

[0] = Omschakelmodus. De uitgang wordt omgeschakeld tussen open/gesloten.

[1] - [9][9] = De uitgang wordt gedurende de aangegeven tijd (in seconden) geactiveerd. De standaardwaarde is 5 seconden.

Voorbeeld [5] [5].

- Bevestig uw invoer telkens met de toets [#]. De controle-led licht kort groen op en knippert vervolgens rood (programmeermodus).

- Om de programmeermodus te verlaten, drukt u op de toets . De indicatie-led brandt nu weer constant rood, het codeslot bevindt zich in de stand-by-modus.

g) Veiligheidsfunctie voor ongeldige toegangspogingen

Er klinkt een alarm of de gebruiker wordt de toegang geweigerd (bijvoorbeeld als een poging wordt gedaan, transponders uit te proberen) door het codeslot te vergrendelen. Deze alarmfunctie kan geactiveerd en gedeactiveerd worden, zie ook hoofdstuk 11 "Programmeren" "h) Alarmduur instellen".

→ Door op de openingsknop te drukken, wordt het slot van binnenuit geopend, zelfs als het alarm actief is. Het alarm wordt hierbij niet uitgeschakeld.

De volgende functies staan ter beschikking:

Geen vergrendeling (standaard instelling)

Ongeldige toegangspogingen worden genegeerd.

Vergrendeling gedurende 10 minuten

Als er via de transponder 10 ongeldige toegangspogingen worden gedaan, wordt het codeslot gedurende 10 minuten geblokkeerd. De controle-led (2) knippert rood. Gedurende deze tijd kunnen zelfs geldige transponders de toegang niet activeren.

Activering van een alarm

Na 10 ongeldige toegangspogingen via transponder laat het codeslot een alarm horen.

De duur van het alarm kan worden ingesteld (1 ... 3 minuten is mogelijk, standaard instelling 1 minuut), zie hoofdstuk 11 "Programming". "h) Alarmduur instellen").

Het alarm kan voortijdig worden beëindigd met de geldige mastercode of door het lezen van een geldige gebruikerstransponder. Het alarm is standaard uitgeschakeld.

Ga voor het instellen van de veiligheidsfunctie als volgt te werk:

- Het codeslot moet in stand-by staan en de controle-led (2) licht rood op.
- Activeer de programmeermodus, zie hoofdstuk 11 "Programming" b) Programmeermodus activeren/verlaten", de controle-led (2) knippert vervolgens rood.

Voorbeeld: * 1 2 3 4 5 6 #

- Druk op de toets 4. De controle-led (2) licht oranje op.
- Voer de gewenste functie in:

0 = Alarm is uitgeschakeld.

1 = Vergrendeling van het codeslot gedurende 10 minuten.

2 = Het alarm gaat af gedurende de ingestelde tijd of totdat het binnen deze periode op een geldige manier wordt uitgeschakeld (door invoer van de mastercode+# of door een geldige transponder te lezen).

- Bevestig uw invoer telkens met de toets **#**. De controle-led (2) licht eventjes groen op, daarna knippert deze rood.
- Om de programmeermodus te verlaten, drukt u op de toets *****. De controle-led (2) licht nu weer constant rood op, het codeslot bevindt zich in de stand-by-modus.

h) Alarmduur instellen

De alarmduur van de veiligheidsfunctie en het sabotage-alarm is instelbaar (1 ... 3 minuten is mogelijk, standaard instelling 1 minuut). Ga voor het instellen van de alarmduur als volgt te werk:

- Het codeslot moet in stand-by staan en de controle-led (2) licht rood op.
- Activeer de programmeermodus, zie hoofdstuk 11 "Programming "b) Programmeermodus activeren/verlaten", de controle-led (2) knippert vervolgens rood.

Voorbeeld: ***** **1** **2** **3** **4** **5** **6** **#**

- Druk op de toets **5**. De controle-led (2) licht oranje op.
- Voer de gewenste functie in:
0 = de alarmen zijn uitgeschakeld.
1 - **3** = de alarmen zullen 1 tot 3 minuten afgaan. (De standaard instelling is één minuut.)
- Bevestig de invoer met de toets **#**. De controle-led (2) licht kort groen op en knippert vervolgens rood (programmeermodus).

- Om de programmeermodus te verlaten, drukt u op de toets **[*]**. De controle-led (2) licht nu weer constant rood op, het codeslot bevindt zich in de stand-by-modus.

i) Akoestisch waarschuwingsgedrag instellen

U kunt de display- en waarschuwingssignalen van het codeslot in- of uitschakelen.

Ga voor het instellen van de geluiden als volgt te werk:

- Het codeslot moet in de stand-by-modus staan, de controle-led licht rood op.
- Activeer de programmeermodus, zie hoofdstuk 11 "Programming" "b) Programmeermodus activeren/verlaten", waarna de controle-led rood knippert.

Voorbeeld: **[*]** **[1]** **[2]** **[3]** **[4]** **[5]** **[6]** **[#]**

- Bevestig uw invoer met de toets **[#]**. De indicatie-led licht kort groen en daarna weer oranje op.
- Druk op de toets **[6]**. De controle-led (2) licht oranje op.
- Voer de gewenste functie in:

[3] = De alarm- en bedieningsgeluiden van het codeslot zijn uitgeschakeld.

[4] = De alarm- en bedieningsgeluiden van het codeslot zijn ingeschakeld.

→ In de fabrieksinstelling zijn geluiden ingeschakeld.

- Om de programmeermodus te verlaten, drukt u op de toets **[*]**. De indicatie-led brandt nu weer constant rood, het codeslot bevindt zich in de stand-by-modus.

j) Visueel waarschuwingsgedrag instellen

U kunt de display- en waarschuwingssignalen van het codeslot in- of uitschakelen.

Ga voor het instellen van het led-displaygedrag als volgt te werk:

- Het codeslot moet in de stand-by-modus staan, de controle-led licht rood op.
- Activeer de programmeermodus, zie hoofdstuk 11 "Programmering" "b) Programmeermodus activeren/verlaten", waarna de controle-led rood knippert.

Voorbeeld: [*] [1] [2] [3] [4] [5] [6] [#]

- Bevestig uw invoer met de toets [#]. De indicatie-led licht kort groen en daarna weer oranje op.
 - Druk op de toets [6]. De controle-led (2) licht oranje op.
 - Voer de gewenste functie in:
 - [1] = De controle-led van het codeslot is uitgeschakeld.
 - [2] = De controle-led van het codeslot is ingeschakeld.
- De led-indicator is in de standaard instelling af fabriek ingeschakeld.

- Om de programmeermodus te verlaten, drukt u op de toets [*]. De indicatie-led brandt nu weer constant rood, het codeslot bevindt zich in de stand-by-modus.

k) Gebruik van de mastertransponder

Een gebruikerstransponder aanleren met de transponder “Master Add Card”

In de levering bevindt zich een speciale transponder, die het opschrift “Master Add Card” draagt. Hiermee kunnen gebruikerstransponders snel en efficiënt worden aangeleerd, omdat er geen code via de IR-afstandsbediening hoeft te worden ingevoerd.

Ga voor het afstemmen als volgt te werk:

- Het codeslot moet in stand-by staan en de controle-led (2) licht rood op.
- Houd de meegeleverde programmeertransponder (met de tekst “Master Add Card”) voor het RFID-sensoroppervlak (1) op het codeslot.
- Om een gebruikerstransponder aan te leren, houdt u deze gewoon voor het RFID-sensoroppervlak (1).
- Het codeslot laat een geluidssignaal horen en de controle-led (2) licht kort groen op wanneer de transponder herkend wordt. Vervolgens licht de controle-led (2) weer oranje op.
- De gebruikerstransponder is nu opgeslagen als gebruiker.
- U kunt nu een andere gebruikerstransponder aanleren. Houd hem gewoon voor het codeslot en bevestig het lezen, ga op dezelfde manier te werk als hierboven beschreven.

- Om het aanleerproces te beëindigen, houdt u de meegeleverde programmeertransponder (met de tekst "Master Add Card") voor het RFID-sensoroppervlak (1) op het codeslot.
- De controle-led (2) licht nu weer constant rood op, het codeslot bevindt zich in de stand-by-modus.

Gebruikerstransponder met "Master Delete Card"-transponder verwijderen

In de levering bevindt zich een speciale transponder, die het opschrift "Master Delete Card" draagt. Hiermee kunnen gebruikerstransponders snel en efficiënt worden verwijderd, omdat er geen code via de IR-afstandsbediening hoeft te worden ingevoerd.

Ga voor het verwijderen als volgt te werk:

- Het codeslot moet in stand-by staan en de controle-led (2) licht rood op.
- Houd de meegeleverde verwijderingstransponder (met de tekst "Master Delete Card") voor het RFID-sensoroppervlak (1) op het codeslot.
- Om een gebruikerstransponder te verwijderen, houdt u deze nu gewoon voor het RFID-sensoroppervlak (1).
- Het codeslot laat een geluidssignaal horen en de controle-led (2) licht kort groen op wanneer de transponder herkend wordt. Vervolgens licht de controle-led (2) weer oranje op.
- De gebruikerstransponder is verwijderd.

- Als de transponder niet wordt gevonden in het codeslotgeheugen, laat het codeslot 3 korte geluidssignalen horen, knippert de controle-led (2) rood en wordt vervolgens weer oranje.
- U kunt nu een andere gebruikerstransponder verwijderen. Houd hem gewoon voor het codeslot en bevestig het lezen, ga op dezelfde manier te werk als hierboven beschreven.
 - Om het verwijderproces te beëindigen, houdt u de meegeleverde verwijderingstransponder (met de tekst "Master Delete Card") voor het RFID-sensoroppervlak (1) op het codeslot.
 - De controle-led (2) licht nu weer constant rood op, het codeslot bevindt zich in de stand-by-modus.

I) Resetten naar de fabrieksinstellingen

- Schakel de stroomvoorziening van het product uit.
- Houd vervolgens de openingsknop ingedrukt terwijl u de stroomvoorziening weer aansluit. U hoort twee korte geluidssignalen. Wacht tot de controle-led (2) oranje oplicht. Bij dit signaal moet u de knop weer loslaten. Vervolgens worden achtereenvolgens de beide meegeleverde mastertransponders (gemarkeerd met "Master Add Card" en "Master Delete Card") voor het RFID-sensoroppervlak (1) op het codeslot ingelezen.

- De instellingen worden teruggezet naar de oorspronkelijke fabrieksinstellingen. De controle-led (2) licht vervolgens weer constant rood op, het codeslot bevindt zich in de stand-by-modus.

→ Beide master-transponders worden hierbij ook gelijktijdig als master-transponder opnieuw aangeleerd. De eerste te lezen transponder moet de transponder met het opschrift "Master Add Card" zijn en de tweede met het opschrift "Master Delete Card". Als deze volgorde niet wordt aangehouden, worden tijdens dit proces beide transponders opnieuw op de andere functie geprogrammeerd en worden ze dus verwisseld. De opschriften moeten dan mogelijk worden gewijzigd door ze opnieuw te labelen of u moet het correctieproces opnieuw uitvoeren om de mastertransponders opnieuw te programmeren volgens de opschriften.

- De transponder die als eerste wordt ingelezen, is de transponder waarmee nieuwe transponders kunnen worden aangeleerd (= "Master Add Card").
- Met de volgende transponder kan de aangeleerde transponder worden verwijderd (= "Master Delete Card").

→ Alle eventueel geprogrammeerde gebruikersinformatie en transponderinformatie blijven behouden na een fabrieksreset.

12. Bediening

a) Omschakelcontact activeren (deur openen en sluiten)

Activering via gebruikerstransponder (EM-kaart)

De transponder moet voor het sensoroppervlak worden gehouden (afstand max. ongeveer 4 cm). Als een geldige transponder wordt herkend, geeft het codeslot een akoestisch signaal, licht de controle-led (2) groen op en wordt het wisselcontact geactiveerd. In de omschakelmodus sluit een tweede keer lezen van de transponder het codeslot.

Activeer omschakelcontact via openingsknop

Als op het codeslot een deuropenerknop is aangesloten, kan het wisselcontact worden geactiveerd door kort op de knop te drukken. De duur van de activering komt overeen met de tijd die ook bij een geldige gebruikerstransponder wordt gebruikt. Bij de omschakelmodus kan de schakelstand van het wisselcontact met de openingsknop worden gewijzigd.

b) Alarmgeluid beëindigen/alarm uitschakelen

Het codeslot bewaakt het aantal openingspogingen. Als een openingspoging tien keer mislukt is, wordt een alarm geactiveerd. Als het alarm is geactiveerd, heeft u verschillende opties om het te beëindigen.

Het alarm kan als volgt worden uitgeschakeld met behulp van een transponder die op het codeslot is aangeleerd of met een mastercode.

- Houd een geldige transponder aan het codeslot
- Voer de juiste mastercodes+[#] in door middel van de afstandsbediening

13. Geluidssignalen en visuele indicatoren

De led's (rood en groen) bevinden zich aan de voorzijde van het codeslot (2). In de behuizing is bovendien een geluidsgenerator (zoemer) ingebouwd. Signalen van beide waarschuwingssystemen hebben de volgende functies:

Status	LED	Geluidssignaal
Stand-by	rode controle-led licht helder op	-
Programmeermodus inschakelen	rode controle-led licht op	een geluidssignaal
Programmeermodus ingeschakeld	Controle-led's lichten helder oranje op (de rode en de groene le lichten samen op)	een geluidssignaal

Operationele fout	-	drie korte geluidssignalen
Programmeermodus verlaten	rode controle-led licht helder op	een kort geluidssignaal
Slot openen	groene controle-led licht helder op	een geluidssignaal
Alarm geactiveerd	rode controle-led knippert snel	continu geluidssignaal

→ Een gedetailleerde beschrijving van de controle-led en geluidssignalen vindt u in de respectievelijke paragrafen van deze gebruiksaanwijzing.

14. Onderhoud en reiniging



Gebruik in geen geval agressieve reinigingsmiddelen, reinigingsalcohol of andere chemische producten omdat de behuizing beschadigd of de werking zelfs belemmerd kan worden.

- Gebruik voor de reiniging van de behuizing van het product een droge, pluisvrije doek.
- Verbreek voor iedere reiniging van de binnenkant de verbinding van het product met de stroomvoorziening.

15. Conformiteitsverklaring (DOC)

Hiermee verklaart Conrad Electronic SE, Klaus-Conrad-Straße 1, D-92240 Hirschau dat het product voldoet aan richtlijn 2014/53/EU.

→ De volledige tekst van de EU-conformiteitsverklaring is als download via het volgende internetadres beschikbaar:

www.conrad.com/downloads

Typ het bestelnummer van het product in het zoekveld; Vervolgens kunt u de EU-conformiteitsverklaring downloaden in de beschikbare talen.

16. Verwijdering



Elektronische apparaten zijn recyclebare stoffen en horen niet bij het huisvuil. Als het product niet meer werkt, moet u het volgens de geldende wettelijke bepalingen voor afvalverwerking inleveren.

U voldoet daarmee aan de wettelijke verplichtingen en draagt bij aan de bescherming van het milieu.

17. Technische gegevens

Stroomvoorziening.....	9 - 24 V/DC
Opgenomen stroom.....	(<40 mA (typisch bij stationair toerental)
Belastbaarheid van het relaiscontact	max. 24 V/DC, 2 A
Transponder	125 kHz transponderkaart
Leesafstand	≤4cm
Lengte user-ID.....	4-6 cijfers
Programmeerbare gebruikers.....	2000 transponders
Relaistijden	0 tot 99 seconden (5 seconden gebruikelijk)
Materiaal.....	Spuitsgietzink en ABS (voorkant van het apparaat)
Montageplaats.....	Binnens- en buitenshuis
Gebruiks-/opslagcondities	-40 tot +60 °C,
Afmetingen (Ø x h)	73 x 20 mm
Gewicht.....	180 g

	Pagina
1. Introduzione.....	160
2. Spiegazione dei simboli.....	161
3. Utilizzo conforme.....	161
4. Caratteristiche e funzioni.....	163
5. Istruzioni di sicurezza.....	164
a) Informazioni generali.....	164
b) Dispositivi collegati.....	166
c) Persone e prodotto.....	166
d) Batteria.....	167
6. Dispositivi di comando.....	168
7. Montaggio e collegamento.....	169
a) Montaggio.....	169
8. Cavo di allacciamento.....	171
a) Collegamento.....	172
b) Schemi elettrici per il collegamento.....	174
c) Tipo di apriporta.....	176
9. Messa in funzione.....	177
a) Telecomando.....	177
b) Serratura codificata.....	177
10. Telecomando.....	178

11. Programmazione	179
a) Informazioni generali.....	179
b) Attivazione/abbandono della modalità di programmazione	180
c) Modifica del Mastercode	182
d) Memorizzazione del transponder utente	183
e) Cancellazione dei transponder utente.....	191
f) Cancellazione di tutti i dati utente	194
g) Funzione di sicurezza in caso di tentativi di accesso non validi.....	197
h) Impostazione della durata dell'allarme.....	199
i) Impostare il tipo di avviso acustico.....	200
j) Impostare il tipo di allarme visivo	201
k) Utilizzo dei transponder master.....	202
l) Ripristino delle impostazioni di fabbrica	204
12. Funzionamento.....	206
a) Attivare il contatto di commutazione (aprire e chiudere la porta).....	206
b) Fine del suono di allarme / disattivazione dell'allarme	207
13. Segnali acustici e indicatori visivi	207
14. Manutenzione e pulizia.....	209
15. Dichiarazione di conformità (DOC).....	209
16. Smaltimento	210
17. Dati tecnici.....	210

1. Introduzione

Gentile Cliente,

grazie per aver acquistato questo prodotto.

Il prodotto è conforme alle norme di legge nazionali ed europee.

Per mantenere queste condizioni e garantire il funzionamento in sicurezza, è necessario rispettare le istruzioni qui riportate.



Il presente manuale istruzioni costituisce parte integrante di questo prodotto. Contiene informazioni importanti per la messa in funzione e la gestione. Consegnarlo assieme al prodotto nel caso esso venga ceduto a terzi. Conservare il manuale per consultazione futura.

Per domande tecniche rivolgersi ai seguenti contatti:

Italia: Tel: 02 929811

Fax: 02 89356429

e-mail: assistentatecnica@conrad.it

Lun – Ven: 9:00 – 18:00

2. Spiegazione dei simboli



Il simbolo con il fulmine in un triangolo è usato per segnalare un rischio per la salute, come per esempio le scosse elettriche.



Il simbolo composto da un punto esclamativo inscritto in un triangolo indica istruzioni importanti all'interno di questo manuale che è necessario osservare in qualsivoglia caso.



Il simbolo della freccia indica suggerimenti e note speciali per l'utilizzo.

3. Utilizzo conforme

Il prodotto serve per abilitare l'apertura o la chiusura di una porta (ad esempio di un ufficio) in modo sicuro o per attivare/disattivare un impianto di allarme. È possibile memorizzare un massimo di 2000 utenti con diversi transponder (schede utente EM).

L'attivazione è possibile tramite transponder adatti. Se si tiene un transponder programmato davanti alla serratura codificata, viene attivato un contatto di commutazione privo di potenziale (vedere il capitolo "dati tecnici" per la capacità di carico dei contatti). Può essere utilizzato, ad esempio, per controllare un apriporta o un sistema di allarme. Il prodotto è idoneo per l'uso in ambienti interni ed esterni (IP66). Un'uscita a relè (1 contatto di commutazione, max. 24 V/CC, 2 A) consente di comandare un

apriporta o anche altri dispositivi (ad es. un impianto di allarme). La serratura codificata può funzionare solo con una tensione di 9-24 V/CC.

Per motivi di sicurezza e di omologazione, il prodotto non deve essere smontato e/o modificato. Nel caso in cui il prodotto venga utilizzato per scopi diversi da quelli precedentemente descritti, potrebbe subire dei danni. Inoltre un utilizzo inappropriato potrebbe causare pericoli quali cortocircuiti, incendi, scosse elettriche ecc. Leggere attentamente le istruzioni per l'uso e rispettarle. Consegnare il prodotto ad altre persone solo insieme alle istruzioni per l'uso.

Tutti i nomi di società e di prodotti citati sono marchi di fabbrica dei rispettivi proprietari. Tutti i diritti riservati.

Contenuto della confezione

- Serratura codificata transponder (legge le schede RFID per l'autorizzazione)
- Telecomando con 1 x CR2025
- 1 diodo
- 2 viti
- 2 tasselli
- 1 chiave esagonale
- 1 transponder master "Master Add Card"
- 1 transponder master "Master Delete Card"
- Panoramica della programmazione
- Istruzioni d'uso

Istruzioni di funzionamento aggiornate

È possibile scaricare le istruzioni per l'uso aggiornate al link www.conrad.com/downloads o tramite la scansione del codice QR. Seguire le istruzioni sul sito web.



4. Caratteristiche e funzioni

- Alloggiamento in metallo anti-intrusione
- Grado di protezione IP66 (protezione contro le intemperie)
- Accesso scheda transponder
- 2000 transponder utente programmabili
- Un'uscita relè
- Allarme antimanomissione (suona in caso di apertura non autorizzata dell'alloggiamento)
- Possibilità di funzionamento con commutazione a tempo o commutazione alternata
- Spia multifunzione a LED multicolore

5. Istruzioni di sicurezza



Leggere attentamente le istruzioni per l'uso e rispettare in particolare le avvertenze per la sicurezza. Nel caso in cui non vengano osservate le avvertenze per la sicurezza e le indicazioni relative all'utilizzo conforme contenute in queste istruzioni per l'uso, non ci assumiamo alcuna responsabilità per eventuali conseguenti danni a cose o persone. Inoltre in questi casi la garanzia decade.

a) Informazioni generali

- Questo prodotto non è un giocattolo. Tenerlo fuori dalla portata di bambini e animali domestici.
- Non lasciare incustodito il materiale di imballaggio. Potrebbe trasformarsi in un pericoloso giocattolo per i bambini.
- Proteggere il prodotto dalle temperature estreme, dalla luce solare diretta, da forti vibrazioni, dall'acqua, dall'eccessiva umidità, da gas, vapori o solventi infiammabili.
- Non sottoporre il prodotto ad alcuna sollecitazione meccanica.



- Nel caso in cui non sia più possibile l'uso in piena sicurezza, scollegare il prodotto dall'alimentazione ed evitare che possa essere utilizzato in modo improprio. La sicurezza d'uso non è più garantita, se il prodotto:
 - presenta danni visibili,
 - non funziona più correttamente,
 - è stato conservato per periodi prolungati in condizioni ambientali sfavorevoli oppure
 - è stato esposto a considerevoli sollecitazioni dovute al trasporto.
- Maneggiare il prodotto con cautela. Urti, colpi o la caduta anche da un'altezza minima potrebbero danneggiarlo.
- Rivolgersi a un tecnico in caso di dubbi relativi al funzionamento, alla sicurezza o alle modalità di collegamento del prodotto.
- Far eseguire i lavori di manutenzione, adattamento e riparazione esclusivamente da un esperto o da un laboratorio specializzato.
- In caso di ulteriori domande a cui non viene data risposta nelle presenti istruzioni per l'uso, rivolgersi al nostro servizio clienti tecnico oppure ad altri professionisti.



b) Dispositivi collegati

- Osservare anche le avvertenze per la sicurezza e le istruzioni per l'uso degli altri dispositivi a cui viene collegato il prodotto.

c) Persone e prodotto

- Non versare mai alcun liquido su dispositivi elettrici e non posizionare alcun oggetto pieno di liquidi accanto al dispositivo. Nel caso in cui dovessero penetrare nel dispositivo del liquido o un oggetto estraneo, staccare l'alimentazione alla presa relativa (per esempio spegnendo il salvavita). In seguito non è più possibile utilizzare il prodotto, che dovrà essere portato in un centro assistenza specializzato.
- Non utilizzare mai il prodotto immediatamente, quando viene spostato da un ambiente freddo a uno caldo. La condensa che si forma in questo caso potrebbe danneggiare il prodotto. Aspettare che il prodotto raggiunga la temperatura ambiente prima di collegarlo e utilizzarlo. Questo potrebbe richiedere alcune ore.



- Il contatto di commutazione del relè è dotato di una portata di max. 24 V/CC, 2 A. Non deve mai essere azionato con tensioni maggiori o diverse (come ad es. tensione di rete) né correnti superiori. Sussiste eventualmente il pericolo di scossa elettrica!

d) Batteria

- Prestare attenzione alla corretta polarità (più/+ e meno/-) quando si inseriscono le batterie.
- Se si prevede di non utilizzare il dispositivo per molto tempo, rimuovere le batterie al fine di evitare danni dovuti alle perdite dalle batterie. Batterie danneggiate o che presentano perdite possono causare corrosione cutanea in caso entrino in contatto con la pelle. Indossare dunque guanti protettivi in caso si maneggino batterie danneggiate.
- Tenere le batterie fuori dalla portata dei bambini. Non lasciare le batterie incustodite, potrebbero essere ingerite dai bambini o da animali domestici. In caso di ingestione, consultare immediatamente un medico, pericolo di morte!
- Non smontare le batterie, non metterle in corto circuito e non gettarle nel fuoco. Non tentare mai di ricaricare batterie non ricaricabili. Sussiste il pericolo di esplosione!



- Conservare quindi le batterie in un luogo idoneo. Per uno smaltimento ecologico delle batterie, consultare il capitolo "Smaltimento".

6. Dispositivi di comando



- 1 Superficie del sensore RFID (lettura transponder)
- 2 LED di controllo (rosso e verde)
- 3 Alloggiamento
- 4 Vite di bloccaggio (interna)
- 5 Telecomando con tastiera
- 6 LED RI (coperto)
- 7 Portabatteria (nascosto)

7. Montaggio e collegamento

a) Montaggio



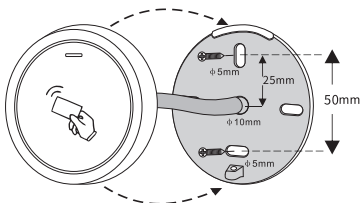
Tutti i cavi di collegamento non devono essere né piegati né schiacciati. In caso contrario possono verificarsi malfunzionamenti, cortocircuiti o difetti dell'apparecchio. Il collegamento è consentito solo in assenza di tensione.

- Rimuovere la parte superiore dell'alloggiamento con il sensore RFID dalla piastra di montaggio. A tale scopo, svitare la vite di bloccaggio (4) sul lato inferiore utilizzando la chiave a brugola fornita e rimuovere la parte superiore.
- Utilizzare la piastra di montaggio come modello, allinearla verticalmente sulla superficie di fissaggio e tracciare i due fori di fissaggio.
- Praticare i fori e inserire i tasselli (inclusi) in base al fondo del dispositivo di fissaggio. Su legno o fondo metallico, utilizzare solo le viti.



Per il montaggio, utilizzare le viti di fissaggio in dotazione e, se necessario, i tasselli in dotazione (per opere murarie). Durante la perforazione e il serraggio delle viti su superfici diverse, assicurarsi di non danneggiare cavi o fili.

- Montare la piastra di montaggio sulla parete. Il cavo di collegamento viene fatto passare attraverso il cavo di alimentazione al centro del pannello posteriore.



- Collegare il prodotto ai morsetti a vite. Per ulteriori informazioni sul connettore, vedere la sezione 8 "a) Collegamento.
- Cablare i cavi di collegamento secondo i seguenti esempi di cablaggio. Accertarsi che l'isolamento sia adeguato (ad es. tubi termoretraibili).
- Per il collegamento di un apriporta è incluso un diodo di protezione corrispondente. Questi proteggono la serratura codificata da danni causati da picchi di tensione.
- Prestare attenzione alla polarità corretta, vedere i seguenti esempi di collegamento (l'anello bianco sul diodo di protezione deve puntare verso il polo positivo/+ durante il collegamento).



Attenzione! La tensione di rete non deve mai essere commutata attraverso il contatto di commutazione a potenziale zero! Potrebbe verificarsi una scarica elettrica mortale! Rispettare la capacità di carico ammissibile di contatto, vedere capitolo "Dati tecnici".

- Utilizzare un cavo adatto con diversi colori. Annotarsi l'abbinamento dei colori e conservare questi dati con il manuale istruzioni. Durante il collegamento del cavo prestare attenzione alla polarità corretta (polo positivo/+ e polo negativo/-).
- Posizionare la serratura codificata sulla piastra di montaggio. Assicurarsi che nessun cavo venga pizzicato. La serratura codificata può essere fissata alla piastra di montaggio utilizzando la vite di bloccaggio (4) sul lato inferiore. Utilizzare la chiave esagonale corrispondente alla vite, inclusa nella dotazione.

8. Cavo di allacciamento

Colore	Funzione
rosso	Polo positivo fino a 9 - 24 V/CC (regolato)
nero	Collegamento a massa polo negativo (GND)
bianco	Contatto di lavoro per relè di tipo Fail-Secure (NO)
marrone	Contatto COM del relè
verde	Contatto di riposo per relè di tipo Fail-Safe (NC)
giallo	Collegamento per il pulsante di apertura

Collegamento per tensione di esercizio (conduttori: rosso/nero)

Qui va collegata la tensione di esercizio (9 - 24 V/CC). Osservare la corretta polarità. La stessa serratura codificata richiede una corrente massima di 100 mA. Inoltre, anche la corrente per la sirena all'uscita dell'allarme (fino a max. 2 A).

Contatto di commutazione a potenziale zero (conduttori: Bianco + marrone + verde)

Il contatto di commutazione a potenziale zero (per la capacità di carico di contatto vedere capitolo "Dati tecnici") si attiva quando viene eseguito un tentativo di accesso corretto (quando si utilizza una scheda transponder corretta). La durata di commutazione può essere programmata (da 0 a 99 secondi). Inoltre è possibile anche la modalità alternata.

Ingresso per tasto apriporta separato (conduttore: giallo)

Il contatto di commutazione a potenziale zero può essere attivato premendo un tasto (contatto di lavoro, contatto normalmente aperto). Questo può essere utilizzato, ad esempio, per l'attivazione manuale di un apriporta. Se dovessero essere collegati più tasti, questi devono essere in parallelo.

a) Collegamento

- Collegare il cavo di collegamento ai morsetti a vite appropriati della serratura codificata. Si possono trovare due esempi di circuito alla sezione "b) Schemi elettrici per il collegamento".

- Quando si collega la tensione di esercizio, è necessario utilizzare una tensione C.C. fino a 24 V. La tensione continua deve essere disponibile nel punto di montaggio (ad es. trasformatore di suoneria o alimentatore a spina ecc.). In caso di tensione continua (CC) quando si effettua il collegamento bisogna prestare particolare attenzione alla corretta polarità (più/+ e meno/-).

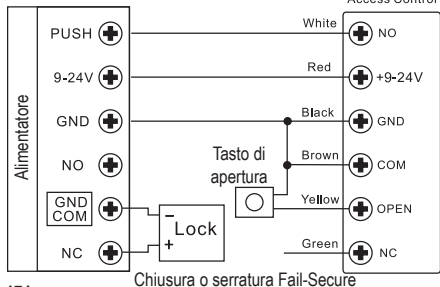
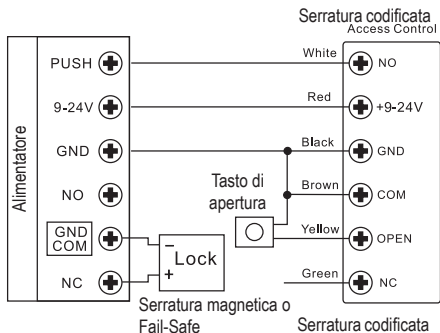


Non collegare mai una tensione di rete in questo punto!
Pericolo di morte per scosse elettriche!

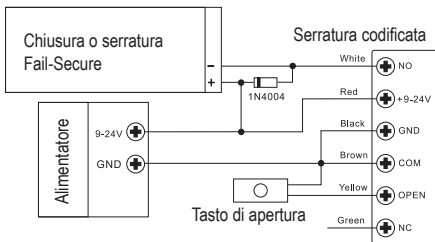
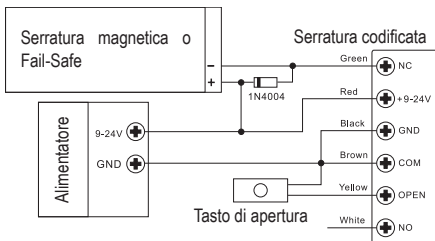
- Sui morsetti a vite „OPEN“ e „COM“ è possibile collegare il tasto di un apriporta, che viene applicato ad es. all'interno della stanza vicino alla porta. Se necessario, qui è possibile collegare in parallelo anche tasti per altri apriporta.
- Per evitare che le interferenze delle scariche elettrostatiche (ESD) compromettano il funzionamento del tastierino, collegare sempre la messa a terra.
- Il diodo fornito deve essere collegato il più possibile vicino ai contatti di chiusura, per evitare che un flusso di corrente generato dall'induzione mutua nella bobina del contatto di chiusura possa danneggiare il tastierino.
- Al termine della connessione, impostare la serratura codificata sulla parte inferiore. Assicurarsi che i cavi non siano schiacciati e non si stacchino dai morsetti a vite.
- Se necessario utilizzare le fascette per fissare e organizzare i cavi.
- Inserire l'alimentazione. Il LED di controllo rosso (standby) è acceso.

b) Schemi elettrici per il collegamento

Alimentatore speciale per sistemi di controllo dell'accesso:



Alimentazione tramite un alimentatore tradizionale



→ Se si utilizza un alimentatore tradizionale per relè e serratura codificata, è necessario installare un diodo (1N4004). Altrimenti la serratura codificata potrebbe danneggiarsi.

c) Tipo di apriporta

Il tastierino può funzionare con apriporta Fail-Secure o Fail-Safe. Osservare i seguenti punti durante il collegamento.

- Apriporta "Fail-Secure": questa libera la serratura solo quando viene applicata tensione di esercizio (struttura tipica).
- Apriporta "Fail-Safe": questa libera la serratura solo se viene a mancare la tensione d'esercizio (in alcune installazioni viene usata per esempio per le uscite di sicurezza, in modo che, in caso di interruzione di corrente, la porta possa essere aperta).

→ Il collegamento di questa serratura codificata dipende dal tipo di apriporta utilizzato. Nella sezione "a) Collegamento", leggere a quali contatti deve essere collegato l'apriporta.

→ Determinare il tipo di apriporta utilizzato. Un apriporta Fail-Secure ha bisogno di intensità di corrente relativamente elevate per breve tempo e non è quindi idoneo alle sollecitazioni di lunga durata.

9. Messa in funzione

a) Telecomando

- Se una piccola striscia di plastica trasparente sporge dal lato inferiore del telecomando a infrarossi, la batteria è già inserita. Estrarre la striscia di plastica dal telecomando a infrarossi, dopodiché sarà pronto per l'uso.
- La sostituzione della batteria è necessaria quando la serratura codificata in condizioni normali (sensore infrarossi (5) pulito, linea di vista diretta) non risponde più ai comandi del telecomando.
- Per sostituire la batteria, è sufficiente estrarre il portabatteria (7) dall'estremità inferiore del telecomando. Sostituire la batteria usata (1x CR2025) con una nuova. Ricollocare il portabatteria nel telecomando con l'orientamento corretto (il polo positivo/+ della batteria punta verso la parte inferiore del telecomando a infrarossi).

→ La sostituzione della batteria è necessaria se il raggio d'azione si è notevolmente ridotto nel tempo o se la serratura codificata non reagisce più al telecomando a infrarossi.

b) Serratura codificata

- Inserire la tensione di esercizio dopo l'installazione e il collegamento.

- La serratura codificata emette un breve segnale acustico. Il LED di controllo (2) nella parte superiore della serratura codificata diventa rosso chiaro.

10. Telecomando



Tasti numerici da 0 a 9

Tasto asterisco

Tasto cancelletto

Il telecomando viene utilizzato per programmare la serratura codificata premendo un tasto. Se di seguito viene richiesta l'immissione di una cifra, utilizzare il tasto corrispondente del telecomando.

- Tenere il telecomando in direzione della serratura codificata per effettuare le regolazioni e programmare gli utenti.
- Premere il tasto indicato come illustrato.
- Un segnale acustico della serratura codificata conferma un'immissione alla volta.

11. Programmazione

a) Informazioni generali

→ È possibile eseguire la programmazione sul luogo di installazione o prima del montaggio già in laboratorio, per ridurre il tempo complessivo di installazione in loco.

Non staccare la serratura codificata dalla tensione di esercizio durante la programmazione. Ciò può causare errori di memoria, e cioè i dati o le programmazioni già esistenti possono essere persi. Osservare le seguenti informazioni importanti:

- Per il richiamo della modalità di programmazione è necessario il Mastercode. Il Mastercode per impostazione predefinita è il seguente "123456".
- La programmazione mediante l'inserimento di cifre avviene tramite i tasti del telecomando.
- Ai transponder utente può essere assegnato un ID utente specifico (si tratta di un numero da 1 2000, senza "0" iniziali). È anche possibile programmare e memorizzare transponder senza immettere un ID utente (la serratura codificata lo assegna automaticamente). In questo caso, tuttavia, un utente specifico può essere cancellato singolarmente solo se è disponibile anche il transponder.
 - Si consiglia pertanto di assegnare anche un ID utente per ogni transponder che si desidera programmare sulla serratura codificata.

- È necessario inserirli in un elenco insieme ad altri dati (nome del dipendente, accesso tramite transponder).
- Qualsiasi transponder EM standard che opera con una frequenza di 125 kHz può essere utilizzato come transponder.


b) Attivazione/abbandono della modalità di programmazione

Per il richiamo della modalità di programmazione è necessario il Mastercode, che deve essere inserito tramite il telecomando a infrarossi. Per impostazione predefinita in fabbrica della serratura codificata (o dopo un ripristino), il Mastercode è "123456".

→ Negli esempi di programmazione successivi viene utilizzato "123456" come Mastercode (questa è l'impostazione di fabbrica per il Mastercode).

Modificare il Mastercode al più tardi al termine della programmazione.

Attivare la modalità di programmazione:

- Il LED di controllo (2) nella parte superiore della serratura codificata deve diventare rosso, la serratura codificata si trova in modalità stand-by.
- Premere il tasto . Se la serratura codificata ha rilevato il segnale IR del telecomando, il LED di controllo (2) sulla serratura codificata lampeggia di rosso (dopo 5 secondi senza ulteriori immissioni, la serratura codificata ritorna automaticamente in modalità stand-by (il LED di controllo (2) diventa di nuovo rosso)).

- Inserire il Mastercode (per impostazione predefinita in fabbrica è il seguente "123456"):

1 2 3 4 5 6

- Confermare l'inserimento con il tasto [#].

→ Il Mastercode "123456" deve essere modificato dall'utente come descritto nel capitolo 11 "Programmazione". «c) Modificare il Mastercode» descritto prima di inserire la serratura codificata durante il normale funzionamento.

- La serratura codificata emette un segnale acustico e il LED di controllo (2) si illumina brevemente in rosso. Successivamente, il LED di controllo (2) si accende in arancione. A questo punto la modalità di programmazione è attiva.

Uscire dalla modalità di programmazione:

- Premere il tasto [*]. Il LED di controllo (2) diventa rosso fisso.

→ La modalità di programmazione si chiude automaticamente dopo 30 secondi se non viene eseguita alcuna programmazione. La serratura codificata è di nuovo in modalità stand-by (il LED di controllo (2) si accende in rosso).

c) Modifica del Mastercode

- La serratura codificata deve trovarsi in modalità stand-by e il LED di controllo (2) si accende in rosso.
- Attivare la modalità di programmazione, vedere capito 11 "Programmazione". Sezione "b) Attivazione/abbandono della modalità di programmazione", il LED di controllo (2) lampeggia in rosso.

Esempio: * 1 2 3 4 5 6 # (Impostazione di fabbrica)

- Premere il tasto 0. Il LED di controllo (2) si accende in arancione.
- Inserire il nuovo Mastercode,
Esempio: 4 5 6 7 8 9

→ Il Mastercode deve essere sempre di 6 cifre.

- Confermare l'inserimento con il tasto #. Per confermare, inserire di nuovo il Mastercode:
4 5 6 7 8 9
- Confermare l'inserimento con il tasto #. Il LED di controllo (2) diventa brevemente verde ad indicare la conferma, poi lampeggia di rosso.
- Premere il tasto *, per uscire dalla modalità di programmazione. Il LED di controllo (2) diventa di nuovo rosso fisso, ciò indica che la serratura codificata si trova in modalità di stand-by.

d) Memorizzazione del transponder utente

Generale:

- ID utente specifici possono essere assegnati ai transponder utente (questi sono un numero da

1

 a

2	0	0	0	0
---	---	---	---	---

, senza uno "0" iniziale).
- La programmazione di transponder utente è possibile anche senza un ID utente. Il processo di programmazione viene quindi accelerato.
- Se durante la programmazione di un transponder utente non viene indicato alcun ID utente specifico, la serratura codificata utilizza automaticamente l'ID utente successivo disponibile, tuttavia in seguito non sarà più possibile determinare quale sia stato assegnato.



Se non si assegna un ID utente specifico per un utente e non lo si inserisce in un elenco, in seguito si potrebbero avere dei problemi.

Poiché se un dipendente lascia l'azienda o si perde un transponder utente, non sarebbe più possibile determinare quale ID utente sia necessario cancellare.

Invece di cancellare direttamente un singolo ID utente con il transponder in esso memorizzato, per motivi di sicurezza tutti i dati memorizzati nella serratura codificata devono essere cancellati per impedire l'accesso non autorizzato.

Si consiglia pertanto di assegnare un ID utente ad ogni persona autorizzata e di inserire tutti i dati in un elenco (nome del dipendente, ID utente, o informazioni transponder ecc.).

Opzione 1: Programmazione automatica di un transponder utente senza un ID utente specifico

La serratura codificata utilizza automaticamente il successivo ID utente libero, ma non è possibile stabilire quale sia:

- La serratura codificata deve trovarsi in modalità stand-by e il LED di controllo (2) si accende in rosso.
- Attivare la modalità di programmazione; vedere il capitolo 11 «Programmazione» «b) Attivazione/abbandono della modalità di programmazione», quindi il LED di controllo (2) lampeggia in rosso.

Esempio: * 1 2 3 4 5 6 #

- Premere il tasto 1. Il LED di controllo (2) si accende in arancione. A questo punto la serratura codificata si trova in modalità di programmazione.
- Tenere un transponder utente sulla superficie del sensore RFID (1). La serratura codificata emette un segnale acustico quando il transponder è stato letto.
- Il nuovo transponder utente viene memorizzato nell'ID utente assegnato automaticamente.

→ Se un transponder non è stato letto e riconosciuto, ripetere la procedura di programmazione.

Un transponder già programmato/memorizzato non può essere assegnato a un altro ID utente.

- Ora è possibile memorizzare un altro transponder utente. L'ID utente successivo viene assegnato automaticamente. In seguito è possibile programmare altri transponder come descritto in precedenza.
- Tenere il successivo transponder dell'utente sulla superficie del sensore RFID. La serratura codificata emette un segnale acustico quando il transponder è stato letto.
- Ripetere questa operazione fino a quando non si sono programmati tutti i transponder necessari (è possibile fino a 2000 transponder utente).
- Una volta cancellato un numero sufficiente di transponder, premere il tasto [#] per terminare l'operazione di cancellazione. Il LED di controllo (2) lampeggia in rosso.
- bullet: Premere il tasto [*] per uscire dalla modalità di programmazione. Il LED di controllo (2) diventa di colore rosso fisso, ciò indica che la serratura codificata si trova in modalità stand-by.

Opzione 2: Memorizzazione di un transponder utente tramite l'inserimento manuale di un ID utente:

La serratura codificata utilizza l'ID utente inserito, che può essere utilizzato successivamente come riferimento per l'utente in questione.

- La serratura codificata deve trovarsi in modalità stand-by e il LED di controllo (2) si accende in rosso.

- Attivare la modalità di programmazione; vedere il capitolo 11 «Programmazione», «b) Attivazione/abbandono della modalità di programmazione». In seguito il LED di controllo (2) lampeggia di rosso.

Esempio: * 1 2 3 4 5 6 #

- Premere il tasto 1. Il LED di controllo (2) si accende in arancione. A questo punto la serratura codificata si trova in modalità di programmazione.
- Inserire un ID utente (un numero composto da 1 fino a 2 0 0 0).
- Confermare l'ID utente con il tasto #. Il LED di controllo (2) diventa brevemente verde e poi di nuovo arancione.
- Tenere un transponder utente sulla superficie del sensore RFID (1). La serratura codificata emette un segnale acustico quando il transponder è stato letto.
- Il transponder utente viene memorizzato nell'ID utente assegnato manualmente.


→ Se un transponder non è stato letto e riconosciuto, ripetere la procedura di programmazione.

Se è stato inserito un ID utente, su cui è già stato salvato un transponder utente, la procedura di programmazione non riesce.

Un transponder che è già stato programmato/memorizzato non può essere programmato di nuovo in un altro ID utente assegnato manualmente.

- Ora è possibile memorizzare un altro transponder utente. Inserire manualmente l'ID utente successivo.
- Tenere il successivo transponder utente sulla superficie del sensore RFID. La serratura codificata emette un segnale acustico quando il transponder è stato letto.
- Ripetere questa procedura fino a quando non sono stati programmati tutti i transponder necessari (è possibile fino a 2000 transponder utente).

→ La serratura codificata dispone anche di una funzione per l'autoprogrammazione di un numero maggiore di transponder utente, vedere la sezione "Possibilità 4: Creare transponder utente con i numeri di transponder continui in serie".

- Una volta aggiunto il numero desiderato o massimo di transponder, premere il tasto # per terminare l'aggiunta di schede. Il LED di controllo (2) lampeggia in rosso.
- Premere il tasto  per uscire dalla modalità di programmazione. Il LED di controllo (2) diventa di colore rosso fisso, ciò indica che la serratura codificata è in modalità stand-by.

Opzione 3: Memorizzazione di un transponder utente inserendo un numero di transponder di 8/10 cifre:

Dopo aver inserito il numero del transponder di 8/10 cifre, la serratura codificata collega automaticamente il successivo ID utente libero a questo numero di transponder. Tuttavia, non è visibile all'esterno quale sia l'ID utente. Per la programmazione di un transponder utente, procedere come segue:

- La serratura codificata deve trovarsi in modalità stand-by e il LED di controllo (2) si accende in rosso.
- Attivare la modalità di programmazione; vedere il capitolo 11 «Programmazione» «b) Attivazione/abbandono della modalità di programmazione», quindi il LED di controllo (2) lampeggia in rosso.

Esempio: * 1 2 3 4 5 6 #

- Premere il tasto 1. Il LED di controllo (2) si accende in arancione. A questo punto la serratura codificata si trova in modalità di programmazione.
- Inserire il numero di transponder di 8 o 10 cifre. Confermare mediante il tasto #. Il LED di controllo diventa brevemente verde e poi di nuovo arancione.
- Il nuovo transponder utente viene memorizzato nell'ID utente assegnato automaticamente.

→ Un transponder che è già stato memorizzato/ programmato non può essere programmato di nuovo. In questo caso, la serratura codificata emette 3 brevi segnali acustici, il LED di controllo lampeggia di rosso e poi diventa di nuovo arancione.

- Ora è possibile programmare un altro transponder utente. Iniziare inserendo il successivo numero di transponder da 8 o 10 cifre.
- Programmare il numero di transponder desiderato o massimo.

- Infine premere il tasto **[*]**. La programmazione viene interrotta e si esce dalla modalità di programmazione. Il LED di controllo (2) diventa di nuovo rosso fisso, ciò indica che la serratura codificata si trova in modalità stand-by.

Opzione 4: Creare transponder utente con numeri di transponder continui in serie

Se si desidera memorizzare un numero maggiore di transponder utente nella serratura codificata e disporre di transponder con numeri transponder continui di 8 o 10 cifre, c'è una specifica funzione nella serratura codificata.

→ Il numero di transponder deve essere consecutivo senza interruzioni nella sequenza numerica. Assicurarsi che ci sia questa condizione per le schede transponder.

Procedere come segue:

- La serratura codificata deve trovarsi in modalità stand-by e il LED di controllo (2) si accende in rosso.
- Attivare la modalità di programmazione; vedere il capitolo 11 «Programmazione» «b) Attivazione/abbandono della modalità di programmazione», quindi il LED di controllo (2) lampeggia in rosso.

Esempio: **[*] [1] [2] [3] [4] [5] [6] [#]**

- Premere il tasto **[1]**. Il LED di controllo (2) si accende in arancione. A questo punto la serratura codificata si trova in modalità di programmazione.

- Inserire un numero iniziale da usare come ID utente (un numero da [1] ... [2] [0][0][0] è teoricamente possibile). Da questo momento in poi, i transponder vengono memorizzati.

→ Assicurarsi che dopo il primo ID utente sia disponibile memoria libera a sufficienza per i transponder, altrimenti la serratura codificata segnalerà un errore. Iniziare con un ID utente di 1999 non avrebbe ovviamente molto senso, in quanto in questo caso una programmazione manuale sarebbe del tutto sufficiente.

- Confermare il primo ID utente con il tasto [#]. Il LED di controllo diventa brevemente verde e poi di nuovo arancione.
- Immettere il numero di transponder da memorizzare. Confermare mediante il tasto [#]. Il LED di controllo diventa brevemente verde e poi di nuovo arancione.
- Inserire il primo numero di transponder di 8 o 10 cifre. Confermare mediante il tasto [#]. Il LED di controllo diventa brevemente verde e poi di nuovo arancione.
- Tutti i transponder utente vengono ora memorizzati a partire dal primo ID utente.

→ È possibile memorizzare fino a 2000 transponder in un unico passaggio. Il processo richiede circa 3 minuti per essere completato.

- Per terminare la procedura di programmazione, non appena è stato programmato il numero di transponder desiderato o massimo e si è usciti dalla modalità di programmazione, premere il tasto [*]. Il LED di controllo (2) diventa di nuovo rosso fisso, ciò indica che la serratura codificata si trova in modalità di stand-by.

e) Cancellazione dei transponder utente

Opzione 1: Eliminazione di un transponder utente senza un ID utente specifico

- La serratura codificata deve trovarsi in modalità stand-by e il LED di controllo (2) si accende in rosso.
- Attivare la modalità di programmazione, vedere Capitolo 11 "Programmazione", "b) Attivazione/abbandono della modalità di programmazione", poi il LED di controllo (2) lampeggia in rosso.

Esempio: * 1 2 3 4 5 6 #

- Premere il tasto 2 sul telecomando. Il LED di controllo (2) si accende in arancione. A questo punto la serratura codificata si trova in modalità di cancellazione.
- Per cancellare un transponder utente è sufficiente tenerlo davanti alla superficie del sensore RFID (1).
- La serratura codificata emette un segnale acustico e il LED di controllo (2) diventa brevemente verde, quando viene rilevato il transponder. Successivamente, il LED di controllo (2) si accende di nuovo in arancione.
- Il transponder utente è stato eliminato. Se il transponder non si trova nella memoria della serratura codificata, quest'ultima emette 3 brevi segnali acustici, il LED di controllo (2) lampeggia in rosso e poi diventa di nuovo arancione.
- Ora è possibile cancellare un altro transponder utente. Basta tenerlo davanti alla serratura codificata.

- Una volta cancellato un numero sufficiente di transponder, premere il tasto [#] per terminare l'operazione di cancellazione. Il LED di controllo (2) lampeggia in rosso.
- Premere il tasto [*] per uscire dalla modalità di programmazione. Il LED di controllo (2) diventa di colore rosso fisso, ciò indica che la serratura codificata è in modalità di stand-by.

Opzione 2: Cancellare i transponder tramite specifici ID utente

- La serratura codificata deve trovarsi in modalità stand-by e il LED di controllo (2) si accende in rosso.
- Attivare la modalità di programmazione; vedere il capitolo 11 "Programmazione", "b) Attivazione/abbandono della modalità di programmazione" quindi il LED di controllo (2) lampeggia in rosso.

Esempio: [*] [1] [2] [3] [4] [5] [6] [#]

- Premere il tasto [2] sul telecomando. Il LED di controllo (2) si accende in arancione. A questo punto la serratura codificata si trova in modalità di cancellazione.
- Inserire l'ID utente da eliminare tramite il telecomando e completare l'immissione con il tasto [#].

Esempio: [1] [2] [#]

- La serratura codificata emette un segnale acustico e il LED di controllo (2) diventa brevemente verde, quando viene rilevato il transponder. Successivamente, il LED di controllo

(2) si accende di nuovo in arancione. L'ID utente per questo transponder è stato cancellato.

→ Se l'ID utente non si trova nella memoria della serratura codificata, quest'ultima emette 3 brevi segnali acustici, il LED di controllo (2) lampeggia di rosso e poi diventa di nuovo arancione.

- Ora è possibile cancellare altri ID utente.
- Per terminare la procedura di cancellazione e uscire dalla modalità di programmazione, premere il tasto **[*]**. Il LED di controllo (2) diventa di nuovo rosso fisso, ciò indica che la serratura codificata si trova in modalità di stand-by.

Opzione 3: Cancellare il transponder utente inserendo il numero del transponder di 8/10 cifre

- La serratura codificata deve trovarsi in modalità stand-by e il LED di controllo (2) si accende in rosso.
- Attivare la modalità di programmazione, vedere Capitolo 11 "Programmazione", "b) Attivazione/abbandono della modalità di programmazione" poi il LED di controllo (2) lampeggia in rosso.

Esempio: **[*] [1] [2] [3] [4] [5] [6] [#]**

- Premere il tasto **[2]** sul telecomando. Il LED di controllo (2) si accende in arancione. A questo punto la serratura codificata si trova in modalità di cancellazione.
- Per cancellare un transponder utente, inserire il numero di transponder di 8 o 10 cifre. Confermare mediante il tasto **[#]**.

- La serratura codificata emette un segnale acustico e il LED di controllo (2) diventa brevemente verde, quando viene rilevato il transponder. Successivamente, il LED di controllo (2) si accende di nuovo in arancione.
- Il transponder utente è stato eliminato.

→ Se il transponder non si trova nella memoria della serratura codificata, quest'ultima emette 3 brevi segnali acustici, il LED di controllo (2) lampeggia di rosso e poi diventa di nuovo arancione.

- Ora è possibile cancellare un altro transponder utente. Inserire altri numeri di transponder da 8 o 10 cifre.
- Per terminare la procedura di cancellazione, premere il tasto **#**. Il LED di controllo (2) lampeggia in colore rosso.
- Premere il tasto ***** per uscire dalla modalità di programmazione. Il LED di controllo (2) diventa di colore rosso fisso, ciò indica che la serratura codificata si trova in modalità di stand-by.

f) Cancellazione di tutti i dati utente

Questa funzione cancella tutti i dati utente (tutti i transponder) dalla memoria della serratura codificata. Le informazioni di configurazione vengono tuttavia conservate.

Procedere come segue:

- La serratura codificata deve trovarsi in modalità stand-by e il LED di controllo si accende in rosso.

- Attivare la modalità di programmazione, vedere Capitolo 11. "Programmazione", "b) Attivazione/abbandono della modalità di programmazione" poi il LED di controllo lampeggia in rosso.

Esempio: * 1 2 3 4 5 6 #

- Premere il tasto 2. Il LED di controllo si accende in arancione. A questo punto la serratura codificata si trova in modalità di cancellazione. Inserire di nuovo il Mastercode.

Esempio: 1 2 3 4 5 6

- Confermare l'inserimento con il tasto #. Il LED di controllo diventa brevemente verde e poi di nuovo arancione.
- Tutti i dati utente (transponder) vengono cancellati.
- Per terminare la procedura di cancellazione e uscire dalla modalità di programmazione, premere il tasto *. Il LED di controllo si accende di nuovo di colore rosso fisso, ciò indica che la serratura codificata si trova in modalità di stand-by.

Impostare la durata di attivazione per l'uscita relè in caso di commutazione temporizzata o di modalità toggle (commutazione alternata)

Il contatto di commutazione a potenziale zero della serratura codificata può essere attivato tramite un transponder.

Sono possibili le funzioni seguenti:

- Il contatto di commutazione viene attivato per 2...99 secondi (l'impostazione predefinita è 5 secondi); ciò è ottimale ad es. per un apriporta.

- Il contatto di commutazione viene attivato per 100 ms (funzionamento a impulsi); ottimale ad es. per il controllo di un impianto di allarme.
- Modalità toggle: Il contatto di commutazione commuta tra le due posizioni di commutazione su/giù ad ogni tentativo di accesso valido. Ciò è ottimale, ad esempio, per un circuito di attivazione/disinserimento in un sistema di allarme

Procedere come segue:

- La serratura codificata deve trovarsi in modalità stand-by e il LED di controllo si accende in rosso.
- Attivare la modalità di programmazione; vedere il capitolo 11 "Programmazione", "b) Attivazione/abbandono della modalità di programmazione" In seguito il LED di controllo lampeggia in rosso.

Esempio: * 1 2 3 4 5 6 #


- Premere il tasto 3. Il LED di controllo si accende in arancione.
- Inserire il tempo/la funzione desiderata:

0 = modalità toggle L'uscita viene commutata tra aperta/chiusa.

1 - 99 = l'uscita viene attivata per il tempo specificato (in secondi). La preimpostazione è di 5 secondi.

Esempio 5 5.

- Confermare l'inserimento con il tasto #. Il LED di controllo diventa brevemente verde, successivamente lampeggia in rosso (modalità di programmazione).

- Per uscire dalla modalità di programmazione, premere il tasto . Il LED di controllo si accende di nuovo di colore rosso fisso, ciò indica che la serratura codificata si trova in modalità di stand-by.

g) Funzione di sicurezza in caso di tentativi di accesso non validi

Viene emesso un allarme acustico o viene impedito l'accesso all'utente (ad es. quando si tenta di provare il transponder), bloccando la serratura codificata. Questa funzione di allarme può essere attivata e disattivata, vedere anche il capitolo 11 "Programmazione" "h) Impostazione della durata dell'allarme".

→ Premendo il tasto di apertura si apre la serratura dall'interno anche con l'allarme attivo. L'allarme non viene disattivato.

Sono disponibili le funzioni seguenti:

Nessun blocco (impostazione predefinita)

I tentativi di accesso non validi vengono ignorati.

Blocco per 10 minuti

Nel caso in cui vengono effettuati 10 tentativi di accesso non validi tramite transponder, la serratura codificata si blocca per 10 minuti. Il LED di controllo (2) lampeggia di rosso. Durante questo periodo, anche i transponder validi non possono attivare l'accesso.

Attivazione di un allarme

Dopo 10 tentativi di accesso non validi tramite transponder, la serratura codificata emette un segnale acustico di allarme.

La durata dell'allarme può essere impostato (è possibile scegliere tra 1 e 3 minuti, l'impostazione predefinita è 1 minuto), vedere capitolo 11 "Programmazione" "h) Impostazione della durata dell'allarme".

Con il Mastercode valido o la lettura di un transponder utente valido, l'allarme può essere interrotto anticipatamente. L'allarme è disattivato per impostazione di fabbrica.

Per impostare la funzione di sicurezza procedere come segue:

- La serratura codificata deve trovarsi in modalità stand-by e il LED di controllo (2) si accende in rosso.
- Attivare la modalità di programmazione, vedere capitolo 11 "Programmazione", "b) Attivazione/abbandono della modalità di programmazione" poi il LED di controllo (2) lampeggia in rosso.

Esempio: * 1 2 3 4 5 6 #

- Premere il tasto 4. Il LED di controllo (2) si accende in arancione.
- Inserire la funzione desiderata:

0 = allarme disattivato.

1 = blocco della serratura codificata per 10 minuti.

2 = l'allarme suona per il tempo impostato o fino a quando non viene spento in modo valido entro questa durata (inserendo il Mastercode+#) o leggendo un transponder valido).

- Confermare l'inserimento con il tasto **[#]**. Il LED di controllo (2) diventa brevemente verde, successivamente lampeggia in rosso.
- Per uscire dalla modalità di programmazione, premere il tasto **[*]**. Il LED di controllo (2) diventa di nuovo rosso fisso, ciò indica che la serratura codificata si trova in modalità di stand-by.

h) Impostazione della durata dell'allarme

La durata dell'allarme della funzione di sicurezza e dell'allarme antimanomissione è regolabile (è possibile impostare 1...3 minuti, impostazione di base 1 minuto). Per impostare la durata dell'allarme, procedere come segue:

- La serratura codificata deve trovarsi in modalità stand-by e il LED di controllo (2) si accende in rosso.
- Attivare la modalità di programmazione, vedere capitolo 11 "Programmazione" b) Attivazione/abbandono della modalità di programmazione, poi il LED di controllo (2) lampeggia in rosso.

Esempio: **[*] [1] [2] [3] [4] [5] [6] [#]**

- Premere il tasto **[5]**. Il LED di controllo (2) si accende in arancione.
- Inserire la funzione desiderata:

[0] = gli allarmi sono disattivati.

[1] - [3] = gli allarmi vengono emessi da 1 a 3 minuti. (L'impostazione di base è di un minuto.)

- Confermare l'inserimento con il tasto [#]. Il LED di controllo (2) diventa verde per un breve istante, quindi lampeggia in rosso (modalità di programmazione).
- Per uscire dalla modalità di programmazione, premere il tasto [*]. Il LED di controllo (2) diventa di nuovo rosso fisso, ciò indica che la serratura codificata si trova in modalità di stand-by.

i) Impostare il tipo di avviso acustico

È possibile attivare o disattivare i segnali di avviso e di visualizzazione della serratura codificata.

Per impostare i toni, procedere come segue:

- La serratura codificata deve trovarsi in modalità stand-by e il LED di controllo si accende in rosso.
- Attivare la modalità di programmazione, vedere Capitolo 11. "Programmazione", "b) Attivazione/abbandono della modalità di programmazione" poi il LED di controllo lampeggia in rosso.

Esempio: [*] [1] [2] [3] [4] [5] [6] [#]

- Confermare l'inserimento con il tasto [#]. Il LED di controllo diventa brevemente verde e poi di nuovo arancione.
- Premere il tasto [6]. Il LED di controllo (2) si accende in arancione.
- Inserire la funzione desiderata:

[3] = i toni di allarme e di comando della serratura codificata sono disattivati.

4 = i toni di allarme e di comando della serratura codificata sono attivati.

→ I toni sono attivati in base alle impostazioni di fabbrica.

- Per uscire dalla modalità di programmazione, premere il tasto *****. Il LED di controllo si accende di nuovo di colore rosso fisso, ciò indica che la serratura codificata si trova in modalità di stand-by.

j) Impostare il tipo di allarme visivo

È possibile attivare o disattivare i segnali di avviso e di visualizzazione della serratura codificata.

Procedere come segue per impostare il tipo di segnalazione LED:

- La serratura codificata deve trovarsi in modalità stand-by e il LED di controllo si accende in rosso.
- Attivare la modalità di programmazione, vedere Capitolo 11. "Programmazione", "b) Attivazione/abbandono della modalità di programmazione" poi il LED di controllo lampeggia in rosso.

Esempio: ***** **1** **2** **3** **4** **5** **6** **#**

- Confermare l'inserimento con il tasto **#**. Il LED di controllo diventa brevemente verde e poi di nuovo arancione.
- Premere il tasto **6**. Il LED di controllo (2) si accende in arancione.
- Inserire la funzione desiderata:

1 = la spia di controllo LED della serratura codificata è spenta.

2 = la spia di controllo LED della serratura codificata è accesa.

→ L'indicatore di controllo a LED è acceso nelle impostazioni predefinite di fabbrica.

- Per uscire dalla modalità di programmazione, premere il tasto *. Il LED di controllo si accende di nuovo di colore rosso fisso, ciò indica che la serratura codificata si trova in modalità di stand-by.

k) Utilizzo dei transponder master

Programmare il transponder utente con il transponder "Master Add Card"

La fornitura comprende uno speciale transponder con la dicitura "Master Add Card". Con questo i transponder utente possono essere programmati rapidamente ed efficientemente, poiché non è necessario inserire codici tramite il telecomando a infrarossi.

Per la programmazione, procedere come segue:

- La serratura codificata deve trovarsi in modalità stand-by e il LED di controllo (2) si accende in rosso.
- Tenere il transponder di programmazione in dotazione (con l'indicazione "Master Add Card") davanti alla superficie del sensore RFID (1) sulla serratura codificata.
- Per programmare un transponder utente, basta tenerlo davanti alla superficie del sensore RFID (1).

- La serratura codificata emette un segnale acustico e il LED di controllo (2) diventa brevemente verde, quando viene rilevato il transponder. Successivamente, il LED di controllo (2) si accende di nuovo in arancione.
- Il transponder utente viene quindi salvato come utente.
- Ora è possibile memorizzare un altro transponder utente. Basta tenerlo davanti alla serratura codificata e confermare la lettura, continuare la procedura come descritto in precedenza.
- Per terminare il processo di programmazione, tenere il transponder di programmazione in dotazione (con l'etichetta "Master Add Card") davanti alla superficie del sensore RFID (1) sulla serratura codificata.
- Il LED di controllo (2) diventa di nuovo rosso fisso, ciò indica che la serratura codificata si trova in modalità di stand-by.

Cancellare il transponder utente con transponder "Master Delete Card"

La fornitura comprende uno speciale transponder con la dicitura "Master Delete Card". I transponder utente possono essere cancellati rapidamente e in modo efficiente utilizzando questa funzione, poiché non è necessario inserire codici tramite il telecomando a infrarossi.

Per la cancellazione, procedere come segue:

- La serratura codificata deve trovarsi in modalità stand-by e il LED di controllo (2) si accende in rosso.
- Tenere il transponder di cancellazione in dotazione (con la scritta "Master Delete Card") davanti alla superficie del sensore RFID (1) sulla serratura codificata.

- Per cancellare un transponder utente, è sufficiente tenerlo davanti alla superficie del sensore RFID (1).
 - La serratura codificata emette un segnale acustico e il LED di controllo (2) diventa brevemente verde, quando viene rilevato il transponder. Successivamente, il LED di controllo (2) si accende di nuovo in arancione.
 - Il transponder utente è stato eliminato.
- Se il transponder non si trova nella memoria della serratura codificata, quest'ultima emette 3 brevi segnali acustici, il LED di controllo (2) lampeggia di rosso e poi diventa di nuovo arancione.
- Ora è possibile cancellare un altro transponder utente. Basta tenerlo davanti alla serratura codificata e confermare la lettura, procedere come descritto in precedenza.
 - Per terminare la procedura di cancellazione, tenere il transponder di cancellazione fornito (con l'etichetta "Master Delete Card") davanti alla superficie del sensore RFID (1) sulla serratura codificata.
 - Il LED di controllo (2) diventa di nuovo rosso fisso, ciò indica che la serratura codificata si trova in modalità di stand-by.

I) Ripristino delle impostazioni di fabbrica

- Spegnere l'alimentazione del prodotto.

- Premere e tenere premuto il tasto di apertura mentre si riaccende l'alimentazione. Vengono emessi due brevi segnali acustici. Attendere che la spia di controllo LED (2) si accenda in arancione. Con questo segnale è necessario rilasciare nuovamente il tasto. Quindi leggere entrambi i transponder master in dotazione (con la scritta "Master Add Card" e "Master Delete Card") sulla superficie del sensore RFID (1) sulla serratura codificata.
- Tutte le impostazioni sono state ripristinate a quelle originali di fabbrica. Il LED di controllo (2) diventa di nuovo rosso fisso, ciò indica che la serratura codificata si trova in modalità stand-by.

→ Entrambi i transponder master vengono riprogrammati contemporaneamente anche come transponder master. Il primo transponder letto dovrebbe essere quello contrassegnato con la scritta "Master Add Card" e il secondo con la scritta "Master Delete Card". Se questa sequenza non viene mantenuta, entrambi i transponder vengono riprogrammati sull'altra funzione durante questa procedura e vengono quindi invertiti. Le scritte devono essere modificate eventualmente con nuove etichette o è necessario eseguire nuovamente la procedura di correzione per riprogrammare i transponder master in base alle scritte.

- Il primo transponder letto è quello con cui è possibile programmare nuovi transponder (= "Master Add Card").
- Il transponder che segue è quello utilizzato per cancellare il transponder programmato (= "Master Delete Card").

→ Dopo un ripristino di fabbrica rimangono inalterate tutte le informazioni utente e le informazioni dei transponder eventualmente programmati.

12. Funzionamento

a) Attivare il contatto di commutazione (aprire e chiudere la porta)

Attivazione tramite transponder utente (scheda EM)

Il transponder deve essere tenuto davanti alla superficie del sensore (a una distanza massima di circa 4 cm). Se è stato rilevato un transponder valido, la serratura codificata emette un segnale acustico, il LED di controllo (2) si accende in verde e il contatto di commutazione viene attivato. In modalità toggle, una seconda lettura del transponder chiude la serratura codificata.

Attivazione del contatto di commutazione tramite tasto di apertura

Se alla serratura codificata è stato collegato un tasto apriporta, il contatto di commutazione può essere attivato premendo brevemente il tasto. La durata per l'attivazione corrisponde all'intervallo di tempo utilizzato anche con un transponder utente valido. In modalità toggle, con il tasto di apertura è possibile cambiare la posizione di commutazione del contatto di commutazione.

b) Fine del suono di allarme / disattivazione dell'allarme

La serratura codificata monitora il numero di tentativi di apertura. Se un tentativo di apertura fallisce per dieci volte consecutive, viene attivato un allarme. Se l'allarme è stato attivato, è possibile terminarlo in diversi modi.

L'allarme può essere disattivato tramite un transponder programmato sulla serratura codificata o tramite il codice master come segue.

- Tenere un transponder valido sulla serratura codificata
- Inserire il Mastercode+ corretto[#] tramite telecomando

13. Segnali acustici e indicatori visivi

I LED (rosso e verde) si trovano sul lato anteriore della serratura codificata (2). Nell'alloggiamento è inoltre montato un generatore di toni (cicalino). I segnali provenienti da entrambi i sistemi di avvertimento hanno le seguenti funzioni:

Stato	LED	Segnale acustico
Stand-by	Il LED di controllo rosso si illumina	-
Attivare la modalità di programmazione	LED di controllo rosso acceso	Un segnale acustico

Modalità di programmazione attivata	I LED di controllo si accendono in arancione chiaro (i LED rossi e verdi si accendono assieme)	Un segnale acustico
Errore di funzionamento	-	Tre brevi segnali acustici
Uscire dalla modalità di programmazione	Il LED di controllo rosso si illumina	Un breve segnale acustico
Aprire la serratura	Il LED di controllo verde si illumina	Un segnale acustico
Allarme attivato	Il LED di controllo rosso lampeggia rapidamente	Segnali acustici continuativi

→ Per una descrizione dettagliata dei LED di controllo e dei segnali acustici, fare riferimento alle rispettive sezioni di questo manuale.

14. Manutenzione e pulizia



Non utilizzare in nessun caso detersivi aggressivi, alcool o altre soluzioni chimiche in quanto queste possono aggredire l'alloggiamento o addirittura pregiudicare la funzionalità del prodotto.

- Utilizzare un panno umido e privo di lanugine per pulire l'alloggiamento del prodotto.
- Scollegare il prodotto dall'alimentazione elettrica prima di eseguire qualsiasi pulizia interna.

15. Dichiarazione di conformità (DOC)

Con la presente Conrad Electronic SE, Klaus-Conrad-Straße 1, D-92240 Hirschau, dichiara che questo prodotto soddisfa la direttiva 2014/53/UE.

→ Il testo integrale della dichiarazione di conformità UE è disponibile al seguente indirizzo Internet:

www.conrad.com/downloads

Inserire il numero d'ordine del prodotto nel campo di ricerca; in modo da poter scaricare la dichiarazione di conformità UE nelle lingue disponibili.

16. Smaltimento



I dispositivi elettronici sono materiali riciclabili e non devono essere smaltiti tra i rifiuti domestici. Alla fine della sua vita utile, il prodotto deve essere smaltito in conformità alle disposizioni di legge vigenti.

In questo modo si rispettano gli obblighi di legge contribuendo al contempo alla tutela ambientale.

17. Dati tecnici

Alimentazione	9 - 24 V/CC
Assorbimento di corrente.....	(<40 mA (tipicamente al minimo))
Capacità di carico del contatto del relè	max. 24 V/CC, 2 A
Transponder	Scheda transponder 125 kHz
Distanza di lettura	≤4cm
Lunghezza ID utente	4-6 cifre
Utenti programmabili	2000 Transponder
Tempi di relè	Da 0 a 99 secondi (di solito 5 secondi)

Materiale.....	Zinco pressofuso e ABS (parte anteriore del dispositivo)
Luogo di installazione	Ambienti interni ed esterni
Condizioni di esercizio/ immagazzinamento	Da -40 a +60 °C,
Dimensioni (Ø x A).....	73 x 20 mm
Peso	180 g

	Strona
1. Wprowadzenie.....	214
2. Objaśnienie symboli	215
3. Użytkowanie zgodne z przeznaczeniem	215
4. Cechy i funkcje	217
5. Zasady bezpieczeństwa	218
a) Ogólne informacje.....	218
b) Podłączone urządzenia.....	220
c) Człowiek i produkt.....	220
d) Bateria.....	221
6. Elementy obsługowe	222
7. Montaż i podłączenie.....	223
a) Montaż	223
8. Kabel przyłączeniowy	225
a) Podłączenie.....	226
b) Schematy podłączenia	228
c) Budowa mechanizmu otwierania drzwi	230
9. Uruchomienie	231
a) Pilot zdalnego sterowania	231
b) Zamek szyfrowy	231
10. Pilot zdalnego sterowania	232

11. Programowanie	233
a) Ogólne informacje	233
b) Aktywowanie / opuszczanie trybu programowania	234
c) Zmiana kodu Master	236
d) Przyuczanie transpondera użytkownika	237
e) Usuwanie transponderów użytkowników	245
f) Kasowanie wszystkich danych użytkowników	249
g) Funkcja bezpieczeństwa przy nieważnych próbach dostępu	251
h) Ustawianiu czasu trwania alarmu	253
i) Ustawianie akustycznego sygnału ostrzegawczego	255
j) Ustawianie wizualnego sygnału ostrzegawczego	256
k) Korzystanie z transpondera Master	257
l) Resetowanie do ustawień fabrycznych	260
12. Obsługa	261
a) Aktywacja styku przełączającego (otwieranie i zamykanie drzwi)	261
b) Kończenie alarmu / wyłączenie alarmu	262
13. Sygnały dźwiękowe i wizualne	262
14. Pielęgnacja i czyszczenie	264
15. Deklaracja zgodności (DOC)	264
16. Utylizacja	265
17. Dane techniczne	266

1. Wprowadzenie

Szanowni Klienci!

Dziękujemy za zakup naszego produktu.

Produkt jest zgodny z obowiązującymi ustawowymi wymogami krajowymi i europejskimi.

Aby utrzymać ten stan i zapewnić bezpieczną eksploatację, użytkownik musi przestrzegać niniejszej instrukcji obsługi!



Niniejsza instrukcja obsługi jest częścią tego produktu. Zawiera ona ważne wskazówki dotyczące uruchamiania i użytkowania produktu. Należy o tym pamiętać, gdy produkt przekazywany jest osobom trzecim. Zachowaj niniejszą instrukcję obsługi do wykorzystania w przyszłości!

Potrzebujesz pomocy technicznej? Skontaktuj się z nami:

E-mail: bok@conrad.pl

Strona www: www.conrad.pl

Dane kontaktowe znajdują się na stronie kontakt:

<https://www.conrad.pl/kontakt>

Dystrybucja Conrad Electronic Sp. z o.o, ul. Książnica 12, 31-637
Kraków, Polska

2. Objaśnienie symboli



Symbol błyskawicy w trójkącie jest stosowany, gdy istnieje ryzyko dla zdrowia, np. na skutek porażenia prądem.



Symbol z wykrzyknikiem w trójkącie wskazuje na ważne wskazówki w tej instrukcji użytkownika, których należy bezwzględnie przestrzegać.



Symbol „strzałki” pojawia się, gdy podawane są konkretne wskazówki i uwagi dotyczące obsługi.

3. Użytkowanie zgodne z przeznaczeniem

Produkt służy głównie do zabezpieczania dostępu do drzwi (np. biura) lub aktywacji/dezaktywacji systemu alarmowego. Możliwe jest zapisanie maksymalnie 2000 użytkowników z różnymi transponderami (karty użytkownika EM).

Sterowanie jest możliwe za pomocą odpowiednich transponderów. Jeśli przed blokadą kodową przytrzymasz zaprogramowany transponder, aktywowany zostanie bezpotencjałowy styk przełączający (obciążalność styków, patrz rozdział „Dane techniczne”). Można w ten sposób sterować na przykład urządzeniem do otwierania drzwi lub instalacją alarmową. Produkt nadaje się do użytku w pomieszczeniach zamkniętych oraz na zewnątrz (IP66). Wyjście przekaźnikowe

(1x styk przełączający, maks. 24 V/DC, 2 A) może służyć do sterowania otwieraniem drzwi lub innymi urządzeniami (np. systemem alarmowym). Zamek szyfrowy może być zasilany wyłącznie napięciem 9 - 24 V / DC.

Ze względów bezpieczeństwa oraz certyfikacji, produktu nie można w żaden sposób przebudowywać i/lub zmieniać. W przypadku korzystania z produktu w celach innych niż opisane może on ulec uszkodzeniu. Niewłaściwe użytkowanie może ponadto spowodować zagrożenia, takie jak zwarcie, pożar, porażenie prądem itp. Dokładnie przeczytać instrukcję obsługi i zachować ją do późniejszego wykorzystania. Produkt można przekazywać osobom trzecim wyłącznie z załączoną instrukcją obsługi.

Wszystkie zawarte w instrukcji obsługi nazwy firm i produktów są znakami towarowymi należącymi do ich właścicieli. Wszelkie prawa zastrzeżone.

Zakres dostawy

- Zamek szyfrowy z transponderem (odczytuje karty RFID do autoryzacji)
- Pilot zdalnego sterowania z 1x CR2025
- 1 dioda
- 2 śruby
- 2 kołki rozporowe
- 1 x klucz sześciokątny
- 1 x transponder główny „Master Add Card”
- 1 x transponder główny „Master Delete Card”

- Przegląd programowania
- Instrukcja obsługi

Aktualne instrukcje obsługi

Aktualne instrukcje obsługi można pobrać, klikając link www.conrad.com/downloads lub skanując przedstawiony kod QR. Należy przestrzegać instrukcji podanych na stronie internetowej.



4. Cechy i funkcje

- Metalowa obudowa antywłamaniowa
- Stopień ochrony IP66 (zabezpieczenie przed warunkami atmosferycznymi)
- Dostęp do kart transpondera
- Możliwość przyuczenia 2000 transponderów użytkownika
- Wyjście przekaźnikowe
- Alarm sabotażowy (włącza się w przypadku nieautoryzowanego otwarcia obudowy)
- Możliwa praca w trybie obwodu czasowego lub przełączania
- Wielokolorowy wskaźnik LED kontroli działania

5. Zasady bezpieczeństwa



Dokładnie przeczytać instrukcję obsługi i przestrzegać zawartych w niej wskazówek dotyczących bezpieczeństwa. Nie ponosimy żadnej odpowiedzialności za obrażenia oraz szkody spowodowane nieprzestrzeganiem wskazówek bezpieczeństwa i informacji dotyczących prawidłowego użytkowania zawartych w niniejszej instrukcji obsługi. Poza tym w takich przypadkach wygasa rękojmia/gwarancja.

a) Ogólne informacje

- Produkt nie jest zabawką. Przechowuj go w miejscu niedostępnym dla dzieci i zwierząt.
- Nie pozostawiaj materiałów opakowaniowych bez nadzoru. Mogą one stać się niebezpieczną zabawką dla dzieci.
- Chroń produkt przed ekstremalnymi temperaturami, bezpośrednim promieniowaniem słonecznym, silnymi wibracjami, wysoką wilgotnością, wilgocią, palnymi gazami, oparami i rozpuszczalnikami.
- Nie narażaj produktu na obciążenia mechaniczne.



- Jeśli bezpieczna praca nie jest już możliwa, należy przerwać użytkowanie i zabezpieczyć produkt przed ponownym użyciem. Bezpieczna praca nie jest zapewniona, jeśli produkt:
 - posiada widoczne uszkodzenia,
 - nie działa prawidłowo,
 - był przechowywany przez dłuższy czas w niekorzystnych warunkach lub
 - został nadmiernie obciążony podczas transportu.
- Z produktem należy obchodzić się ostrożnie. Wstrząsy, uderzenia lub upadek produktu nawet z niewielkiej wysokości spowodują jego uszkodzenie.
- Jeśli istnieją wątpliwości w kwestii zasad działania, bezpieczeństwa lub podłączania produktu, należy zwrócić się do wykwalifikowanego fachowca.
- Prace konserwacyjne, regulacyjne i naprawy może przeprowadzać wyłącznie specjalista lub specjalistyczny warsztat.
- Jeśli pojawią się jakiegokolwiek pytania, na które nie ma odpowiedzi w niniejszej instrukcji, prosimy o kontakt z naszym biurem obsługi klienta lub z innym specjalistą.



b) Podłączone urządzenia

- Przestrzegaj również wskazówek bezpieczeństwa i instrukcji obsługi innych urządzeń, do których zostanie podłączony produkt.

c) Człowiek i produkt

- Nie wylewaj płynów na urządzenia elektryczne ani nie stawiaj w ich pobliżu przedmiotów wypełnionych płynami. Jeśli jednak do wnętrza urządzenia dostanie się cieś lub jakiś przedmiot, odłącz dany przewód elektryczny od źródła zasilania (np. wyłączając bezpiecznik). Produkt nie może być już używany, należy go oddać do specjalistycznego warsztatu.
- Nigdy nie używaj produktu bezpośrednio po przeniesieniu go z zimnego do ciepłego pomieszczenia. W ten sposób może wytworzyć się kondensacja, która w pewnych okolicznościach może uszkodzić urządzenie. Przed podłączeniem produktu i rozpoczęciem użytkowania należy poczekać, aż urządzenie osiągnie temperaturę pokojową. Zależnie od okoliczności, może to potrwać kilka godzin.



- Styk przełączający przekaźnika ma obciążalność styków maks. 24 V/DC, 2 A. Nigdy nie wolno pracować z wyższym lub innym napięciem (takim jak napięcie sieciowe) lub wyższymi natężeniami. Może wystąpić ryzyko porażenia prądem elektrycznym!

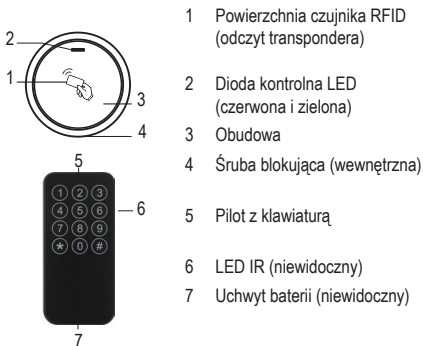
d) Bateria

- Podczas wkładania baterii należy zwrócić uwagę na właściwą polaryzację (plus/+ i minus/-).
- Aby uniknąć uszkodzeń spowodowanych wyciekami z baterii, należy je wyjąć, jeśli urządzenie nie jest używane przez dłuższy czas. Nieszczelne lub uszkodzone baterie w kontakcie ze skórą mogą powodować oparzenia. Z tego względu podczas obchodzenia się z uszkodzonymi bateriami należy nosić rękawice.
- Baterie należy przechowywać w miejscu niedostępnym dla dzieci. Nie pozostawiaj baterii w miejscach ogólnodostępnych, ponieważ mogą zostać połknięte przez dzieci lub zwierzęta domowe. W przypadku połknięcia należy jak najszybciej skontaktować się z lekarzem, ponieważ istnieje ryzyko zagrożenia życia!



- Nie wolno rozbierać baterii, powodować ich zwarcia ani wrzucać ich do ognia. Nigdy nie próbuj ładować jednorazowych baterii. Istnieje niebezpieczeństwo wybuchu!
- Baterie należy przechowywać w odpowiednim miejscu. W kwestii przyjaznej dla środowiska utylizacji baterii należy stosować się do rozdziału „Utylizacja”.

6. Elementy obsługowe



7. Montaż i podłączenie

a) Montaż



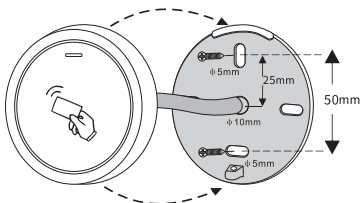
Nie wolno zaginać ani zaciskać żadnych przewodów przyłączeniowych. Może to prowadzić do nieprawidłowego działania, zwarcia i uszkodzenia urządzenia. Podłączenia można dokonać tylko wtedy, gdy zasilanie jest odłączone.

- Zdejmij górną część obudowy z czujnikiem RFID z płyty montażowej. W tym celu należy odkręcić śrubę blokującą (4) na spodzie za pomocą dołączonego klucza sześciokątnego i zdjąć górną część.
- Użyj płyty montażowej jako szablonu, ustaw ją pionowo na powierzchni montażowej i zaznacz dwa otwory montażowe.
- Wywierć otwory i włóż kołki (dołączone do zestawu) w zależności od podłoża mocowania. Do drewna lub metalu można używać tylko śrub.



Do przykręcenia należy użyć dostarczonych w zestawie śrub mocujących oraz, w razie potrzeby, dostarczonych kołków (w przypadku muru). Podczas wiercenia i przykręcania śrub na różnych powierzchniach należy upewnić się, że żadne kable ani przewody nie zostaną uszkodzone.

- Zamontuj płytę montażową na ścianie. Kabel połączeniowy jest prowadzony przez wpust kablowy na środku tylnej ścianki.



- Podłącz produkt do zacisków śrubowych. Szczegółowe informacje na temat podłączania znajdują się w rozdział 8, sekcja „a) Podłączanie”.
- Podłącz kable połączeniowe zgodnie z poniższymi przykładami połączeń. Zwróć uwagę na odpowiednią izolację (np. węże termokurczliwe).
- Do podłączenia przycisku otwierania drzwi dołączona jest dioda zabezpieczająca. Chroni ona zamek szyfrowy przez uszkodzeniami spowodowanymi przez wartości szczytowe napięcia.
- Zwróć uwagę na prawidłową biegunowość, patrz poniższe przykłady połączeń (biały pierścień na diodzie ochronnej przy podłączaniu musi wskazywać biegun plus/+).



Uwaga! Przez bezpotencjalowy styk przełączny nie można nigdy prowadzić napięcia sieciowego! Istnieje zagrożenie życia wskutek porażenia prądem elektrycznym! Zwróć uwagę na dopuszczalną obciążalność styku, patrz rozdział „Dane techniczne”.

- Stosuj odpowiednie przewody o różnych kolorach. Zapisz przyporządkowanie kolorów i dołącz tę informację do niniejszej instrukcji obsługi. Przy podłączaniu kabli zwróć uwagę na odpowiednią biegunowość (plus/+ i minus/-).
- Umieść zamek kodowy na płycie montażowej. Upewnij się, że żaden kabel nie został zmiażdżony. Przy użyciu śruby blokującej (4) na spodniej stronie można zamocować zamek kodowy do płyty montażowej. Użyj klucza sześciokątnego, pasującego do śruby i dołączonego do zestawu.

8. Kabel przyłączeniowy

Kolor	Funkcja
czerwony	Biegun dodatni do 9 - 24 V/DC (regulowany)
czarny	Złącze uziomu ujemnego (GND)
biały	Styk roboczy do przekaźnika w konstrukcji Fail-Secure (NO)
brązowy	Zestyk COM przekaźnika
zielony	Zestyk zwierny do przekaźnika w konstrukcji Fail-Secure (NC)
żółty	Przyłącze do przycisku otwierania

Przyłącze dla napięcia roboczego (żyły: czerwona / czarna

W tym miejscu należy podłączyć napięcie robocze (9 - 24 V/DC). Należy zwrócić uwagę na prawidłową polaryzację. Sam zamek szyfrowy potrzebuje prądu o maksymalnej wartości 100 mA. Do tego dochodzi prąd dla syreny na wyjściu alarmowym (do maks. 2 A).

Bezpotencjałowy zestyk przełączający (żyły: biała + brązowa + zielona)

Bezpotencjałowy zestyk przełączający (obciążalność zestyku patrz rozdział „Dane techniczne”) aktywowany jest przy pomyślnie zakończonej próbie dostępu (prawidłowa karta transponderowa). Czas przełączania można zaprogramować (maks. 99 sekund). Możliwy jest również tryb zmienny.

Wejście dla osobnego przycisku otwierania drzwi (żyła: żółta)

Poprzez naciśnięcie przycisku (styk roboczy, styk zwierny) można aktywować bezpotencjałowy styk przełączny. Można tego użyć np. do ręcznej aktywacji urządzenia do otwierania drzwi. Jeśli zamontowanych jest kilka przycisków, należy je połączyć równolegle.

a) Podłączenie

- Podłącz przewód łączący do odpowiednich zacisków śrubowych zamka szyfrowego. Dwa przykłady podłączenia znajdują się w sekcji „b) Schematy podłączenia”.

- Podczas podłączania napięcia roboczego należy używać napięcia stałego do 24 V. Napięcie stałe musi być dostępne w miejscu instalacji (np. transformator dzwonekowy lub zasilacz itd.). Przy napięciu stałym (DC), w przypadku podłączenia, należy zwrócić uwagę na właściwą biegunowość (plus/+ i minus/-).

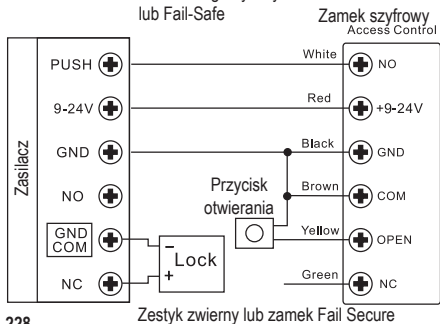
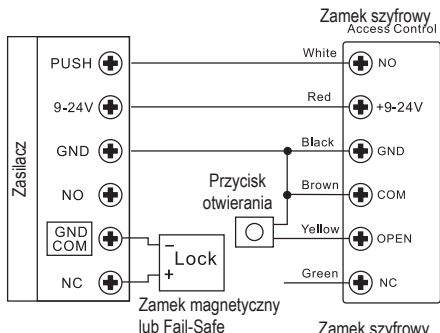


Nigdy nie podłączaj tutaj napięcia sieciowego! Istnieje zagrożenie dla życia wskutek porażenia prądem elektrycznym!

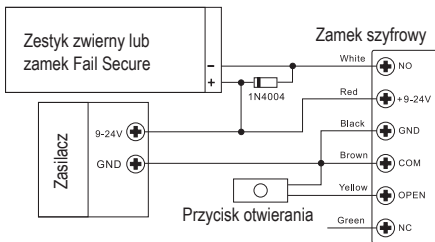
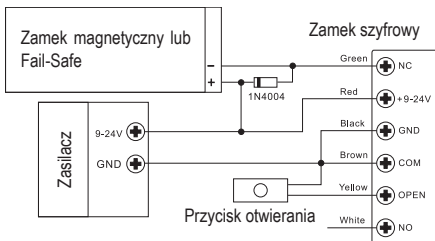
- Do zacisków śrubowych „OPEN” i „COM” można podłączyć przycisk mechanizmu otwierania drzwi, np. wewnątrz pomieszczenia obok drzwi. W razie potrzeby można również podłączyć równolegle kilka przycisków dodatkowych mechanizmów otwierania drzwi.
- Aby zakłócenia elektrostatyczne (ESD) nie przeszkadzały w działaniu zamka szyfrowego, należy zawsze podłączać uziemienie.
- Dołączona dioda powinna być podłączona jak najbliżej styków zwiernych, aby zapobiec uszkodzeniu zamka szyfrowego przez prąd generowany przez przeciwprąd w cewce zwiernej.
- Umieść zamek szyfrowy na dolnej stronie, gdy jest gotowy do połączenia. Upewnij się, że przewody nie są ściśnięte ani odłączone od zacisków śrubowych.
- W razie potrzeby zamocuj i ułóż kable za pomocą opasek zaciskowych.
- Włącz napięcie zasilania. Czerwona kontrolka LED (Standby) zaświeci się.

b) Schematy podłączenia

Specjalny zasilacz do systemów kontroli dostępu



Zasilanie prądem poprzez konwencjonalny zasilacz



➔ W przypadku korzystania z tradycyjnego zasilacza do przekaźników i zamka szyfrowego należy zamontować diodę (1N4004). W przeciwnym razie zamek szyfrowy może ulec uszkodzeniu.

c) Budowa mechanizmu otwierania drzwi

Zamek szyfrowy może być użytkowany z urządzeniem do otwierania drzwi Fail-Secure lub Fail-Safe. Podczas podłączania należy przestrzegać następujących punktów.

- Urządzenie do otwierania drzwi „Fail-Secure”: Zwalnia ono zasuwę zamykającą tylko wtedy, gdy przyłożone jest napięcie robocze (typowa konstrukcja).
- Urządzenie do otwierania drzwi „Fail-Safe”: Zwalnia ono zasuwę zamykającą wtedy, gdy brak jest napięcia roboczego (rzadka konstrukcja, stosowana np. przy drzwiach ewakuacyjnych, ponieważ w razie przerwy w dostawie prądu można otworzyć drzwi).

→ Podłączenie zamka szyfrowego zależy od konstrukcji używanego mechanizmu otwierania drzwi. Patrz punkt „a) Połączenie”, aby sprawdzić, do którego styku należy podłączyć urządzenie do otwierania drzwi.

→ Określ typ mechanizmu otwierania drzwi. Otwieranie mechanizmu otwierania drzwi Fail-Secure wymaga stosunkowo wysokiego prądu przez krótki czas i dlatego nie nadaje się do długotrwałych obciążeń.

9. Uruchomienie

a) Pilot zdalnego sterowania

- Wychodzący na dole z pilota IR mały przezroczysty pasek z tworzywa sztucznego informuje o włożonej baterii. Po wyciągnięciu paska z tworzywa sztucznego z pilota IR jest on gotowy do pracy.
 - Wymiana baterii jest wymagana, kiedy zamek szyfrowy w normalnych warunkach (czysty czujnik na podczerwień (5), bezpośrednia linia wzroku) nie reaguje na polecenia pilota zdalnego sterowania.
 - W celu wymiany baterii wyjmij uchwyt baterii (7) na dolnym końcu pilota. Wymień zużytą baterię (1x CR2025) na nową. Nasuń uchwyt baterii w prawidłowym ustawieniu na pilota (biegun dodatni/+ baterii skierowany jest do dołu pilota IR).
- Wymiana baterii jest konieczna, kiedy zasięg promieni podczerwonym uległ z upływem czasu mocnemu zredukowaniu lub kiedy zamek szyfrowy nie reaguje na pilota.

b) Zamek szyfrowy

- Po zakończonym montażu i podłączeniu włączyć napięcie robocze.

- Zamek szyfrowy wygeneruje długi sygnał dźwiękowy. Dioda kontrolna LED (2) u góry na zamku szyfrowym świeci na jasnoczerwono.

10. Pilot zdalnego sterowania



Przyciski cyfr od 0 do 9

Przycisk gwiazdki

Przycisk kratki

Pilot służy do programowania zamka szyfrowego poprzez naciśnięcie przycisku. Jeśli poniżej wymagane jest wprowadzenie cyfry, użyj do tego celu odpowiedniego przycisku na pilocie zdalnego sterowania.

- Przytrzymaj pilot w kierunku zamka szyfrowego, aby wprowadzić ustawienia i zaprogramować użytkowników.
- Naciśnij wyznaczony przycisk, jak to zostało opisane.
- Sygnał dźwiękowy zamka szyfrowego potwierdza jeden wpis.

11. Programowanie

a) Ogólne informacje

→ Programowanie można przeprowadzić w miejscu instalacji lub w warsztacie przed instalacją, aby skrócić czas potrzebny na instalację na miejscu.

Nie odłączaj zamku kodowego od napięcia roboczego podczas programowania. Może to prowadzić do błędów pamięci; w ten sposób istniejące dane lub programowania mogą zostać utracone. Należy przestrzegać poniższych ważnych informacji:

- Do wywołania trybu programowania wymagany jest kod Master. W ustawieniu podstawowym jest to „123456”.

→ Programowanie poprzez wpisywanie cyfr odbywa się za pomocą przycisków pilota.

- Każdemu użytkownikowi transpondera użytkowników można przyporządkować określony identyfikator użytkownika (jest to liczba od 1... 2000, bez wiodącego „0”). Programowanie (przyuczanie) i zapisywanie transponderów możliwe jest zasadniczo również bez wpisywania identyfikatora użytkownika (zamek szyfrowy przydziela ten numer automatycznie). W tym przypadku określonego użytkownika można jednak usunąć w późniejszym czasie, tylko jeżeli jest dostępny jego transponder.
- Dlatego każdemu transponderowi, który ma być zaprogramowany do zamka szyfrowego, zalecamy przydzielenie także identyfikatora użytkownika.

- Należy je razem z innymi danymi (nazwisko pracownika, dostęp przez transponder) umieścić na liście.
- Jako transponder można użyć dowolnego standardowego transpondera EM, który działa z częstotliwością 125 kHz.

b) Aktywowanie / opuszczanie trybu programowania

Do wywołania trybu programowania wymagany jest kod Master, który należy wpisać przy pomocy pilota IR. W ustawieniu podstawowym zamka szyfrowego fabryczny (lub po resecie) kod Master to „123456”.

→ W poniższych przykładach programowania jako kod Master stosowany jest kod „123456” (jest to ustawienie fabryczne kodu Master).

Kod Master należy zmienić najpóźniej po zakończeniu programowania.

Aktywowanie trybu programowania:

- Dioda kontrolna (2) na górze zamka szyfrowego musi świecić się na czerwono, zamek szyfrowy znajduje się w trybie czuwania.
- Naciśnij przycisk *. Po rozpoznaniu przez zamek szyfrowy sygnału IR z pilota dioda kontrolna (2) na zamku szyfrowym miga na czerwono (po 5 sekundach bez dalszego wpisywania zamek szyfrowy powraca automatycznie do trybu czuwania (dioda kontrolna (2) świeci się na czerwono).

- Wpisz kod Master (w ustawieniu podstawowym fabryczny kod „123456”):

1 2 3 4 5 6

- Potwierdź wprowadzenie przyciskiem [#].

→ Kod Master „123456” musi być zaprogramowany przez użytkownika zgodnie z rozdziałem 11 „Programowanie”. „c) Zmiana kodu Master” przed rozpoczęciem normalnej eksploatacji zamka szyfrowego.

- Zamek szyfrowy wydaje sygnał dźwiękowy i dioda kontrolna (2) świeci krótko na czerwono. Następnie dioda kontrolna (2) świeci na pomarańczowo. Tryb programowania jest aktywny.

Opuszczenie trybu programowania:

- Naciśnij przycisk [*]. Dioda kontrolna (2) świeci światłem ciągłym na czerwono.

→ Tryb programowania zostanie automatycznie zakończony po 30 sekundach, jeśli nie zostanie wykonane żadne programowanie. Zamek szyfrowy znajduje się ponownie w trybie czuwania (dioda kontrolna świeci (2) na czerwono).

c) Zmiana kodu Master

- Zamek szyfrowy musi znajdować się w trybie czuwania, dioda kontrolna (2) musi świecić na czerwono.
- Aktywuj tryb programowania, patrz rozdział 11 „Programowanie”. sekcja „b) Aktywowanie/opuszczanie trybu programowania”, dioda kontrolna (2) miga następnie na czerwono.

Przykład: * 1 2 3 4 5 6 # (Ustawienie fabryczne)

- Naciśnij przycisk 0. Dioda kontrolna świeci (2) na pomarańczowo.
- Podaj nowy kod Master.

Przykład: 4 5 6 7 8 9

→ Kod Master musi być zawsze 6-miejscowy.

- Potwierdź wprowadzenie przyciskiem #. Ponownie wpisz nowy kod Master w celu potwierdzenia:

4 5 6 7 8 9

- Potwierdź wprowadzenie przyciskiem #. Dioda kontrolna (2) zapala się na chwilę na zielono w celu potwierdzenia, następnie miga na czerwono.
- Naciśnij przycisk * w celu opuszczenia trybu programowania. Dioda kontrolna (2) świeci się teraz ponownie stale na czerwono, zamek szyfrowy znajduje się w trybie czuwania.

d) Przyuczanie transpondera użytkownika

Ogólne:

- Transponderom użytkowników można przypisać określony identyfikator użytkownika [User-ID] (jest to numer od 1 do 2000), bez wiodącego „0”).
- Przyuczenie transponderów użytkowników możliwe jest również bez użycia takiego identyfikatora. Proces przyuczania zostaje tym samym przyspieszony.
- W przypadku niepodania określonego identyfikatora podczas przyuczania transpondera użytkownika zamek szyfrujący automatycznie dobiera następny dowolny identyfikator – jednak później nie ma możliwości określenia, jaki numer został przydzielony.



Jeśli nie przypiszesz danemu użytkownikowi określonego identyfikatora użytkownika i nie ujmiesz go w liście, może to później prowadzić do problemów.

Jeśli jakiś pracownik opuści przedsiębiorstwo lub zostanie zgubiony transponder użytkownika, nie będzie można ustalić, który identyfikator użytkownika należy usunąć.

Zamiast pojedynczego usunięcia danego identyfikatora z zapisanym w nim transponderem należałoby ze względów bezpieczeństwa usunąć wszystkie dane zapisane w zamku szyfrowym, co pozwoli zapobiec nieupoważnionemu wejściu.

Dlatego zalecamy przydzielenie identyfikatora każdej upoważnionej do wejścia osobie i umieszczenie wszystkich danych (nazwisko pracownika, identyfikator użytkownika, dostęp przez transponder itd.).

Możliwość 1: Automatyczne przyuczenie transpondera użytkownika bez określonego identyfikatora użytkownika

Zamek szyfrowy automatycznie użyje kolejny wolny identyfikator użytkownika, ale nie można ustalić, który to jest.

- Zamek szyfrowy musi znajdować się w trybie czuwania, dioda kontrolna (2) musi świecić na czerwono.
- Aktywuj tryb programowania, patrz rozdział 11 „Programowanie”, „b) Aktywowanie/opuszczanie trybu programowania”, następnie dioda kontrolna (2) miga na czerwono.

Przykład: * 1 2 3 4 5 6 #

- Naciśnij przycisk 1. Dioda kontrolna świeci (2) na pomarańczowo. Zamek szyfrowy znajduje się teraz w trybie przyuczania.
 - Przytrzymaj transponder użytkownika na powierzchni czujnika RFID (1). Po odczytaniu transpondera zamek szyfrowy wyda krótki sygnał dźwiękowy.
 - Nowy transponder użytkownika zapisany jest w automatycznie przydzielonym identyfikatorze użytkownika.
- Jeśli transponder nie został odczytany i rozpoznany, należy wykonać ponownie proces przyuczania.

Już przyuczony/zapisany transponder nie może być przypisany do żadnego innego identyfikatora użytkownika.

- Teraz można przyuczyć następny transponder użytkownika. Kolejny identyfikator użytkownika jest przydzielany automatycznie. Następnie można przyuczyć kolejne transpondery w taki sam sposób, jak opisano powyżej.
- Przytrzymaj następny transponder użytkownika na powierzchni czujnika RFID. Po odczytaniu transpondera zamek szyfrowy wyda krótki sygnał dźwiękowy.
- Powtarzaj tę czynność do momentu przyuczenia wszystkich wymaganych transponderów (możliwe jest użycie maks. 2000 transponderów użytkowników).
- Po dodaniu żądanej lub maksymalnej liczby transponderów naciśnij przycisk **[#]**, aby zakończyć dodawanie kart. Dioda kontrolna (2) będzie migać na czerwono.
- Naciśnij przycisk **[*]**, aby wyjść z trybu programowania. Dioda kontrolna (2) będzie świecić stale na czerwono, aby wskazać, że zamek szyfrowy znajduje się w trybie czuwania.

Możliwość 2: Przyuczenie transpondera użytkownika z ręcznym przydzieleniem identyfikatora:

Zamek szyfrowy wykorzystuje wprowadzony identyfikator użytkownika, który może być później użyty jako odniesienie dla danego użytkownika.

- Zamek szyfrowy musi znajdować się w trybie czuwania, dioda kontrolna (2) musi świecić na czerwono.

- Aktywuj tryb programowania, patrz rozdział 11 „Programowanie” „b) Aktywowanie/opuszczanie trybu programowania”. Następnie dioda kontrolna (2) zaczyna migać na czerwono.

Przykład: * 1 2 3 4 5 6 #

- Naciśnij przycisk 1. Dioda kontrolna świeci (2) na pomarańczowo. Zamek szyfrowy znajduje się teraz w trybie przyuczania.
- Podaj identyfikator użytkownika (liczba od 1 do 2000).
- Przytrzymaj transponder użytkownika na powierzchni czujnika RFID (1). Po odczytaniu transpondera zamek szyfrowy wyda krótki sygnał dźwiękowy.
- Potwierdź proces odczytywania przyciskiem #. Dioda kontrolna (2) zaświeci się krótko na zielono. Następnie dioda kontrolna (2) ponownie zaświeci się na pomarańczowo.
- Transponder użytkownika zapisany jest w ręcznie wpisanym identyfikatorze.

→ Jeśli transponder nie został odczytany i rozpoznany, należy ponownie wykonać proces przyuczania.

Gdy wprowadzono identyfikator użytkownika, dla którego został już zapisany transponder użytkownika, proces przyuczania kończy się niepowodzeniem.

Transponder, który został już przyuczony/zapisany, nie może być ponownie przyuczony z użyciem innego ręcznie przypisanego identyfikatora użytkownika.

- Teraz można przyuczyć następnego transponder użytkownika. Wprowadź ręcznie następnego identyfikator użytkownika.
 - Przytrzymaj następnego transponder użytkownika na powierzchni czujnika RFID. Po odczytaniu transpondera zamek szyfrowy wyda krótki sygnał dźwiękowy.
 - Powtarzaj tę procedurę do momentu skalibrowania wszystkich wymaganych transponderów (możliwe jest użycie maks. 2000 transponderów użytkowników).
- Zamek szyfrowy ma również funkcję do automatycznego przyuczania większej liczby transponderów użytkowników, patrz rozdział „Możliwość 4: Tworzenie transponderów użytkownika z kolejnymi numerami transponderów w serii”.
- Po dodaniu żądanej lub maksymalnej liczby transponderów naciśnij przycisk [#], aby zakończyć dodawanie kart. Dioda kontrolna (2) będzie migać na czerwono.
 - Naciśnij przycisk [*], aby wyjść z trybu programowania. Dioda kontrolna (2) będzie świecić stale na czerwono, aby wskazać że zamek szyfrowy znajduje się w trybie czuwania.

Możliwość 3: Przyuczanie transpondera użytkownika poprzez wpisywanie 8- lub 10-miejscowego numeru transpondera:

Po wprowadzeniu 8-/10-miejscowego numeru transpondera zamek szyfrowy automatycznie łączy następnego wolny identyfikator z tym numerem transpondera. Nie widać jednak na zewnątrz, który identyfikator jest tym identyfikatorem użytkownika. Aby wykonać operację przyuczania transpondera użytkownika, wykonaj następujące czynności:

- Zamek szyfrowy musi znajdować się w trybie czuwania, dioda kontrolna (2) musi świecić na czerwono.
- Aktywuj tryb programowania, patrz rozdział 11 „Programowanie”, „b) Aktywowanie/opuszczanie trybu programowania”, następnie dioda kontrolna (2) miga na czerwono.

Przykład: * 1 2 3 4 5 6 #

- Naciśnij przycisk 1. Dioda kontrolna świeci (2) na pomarańczowo. Zamek szyfrowy znajduje się teraz w trybie przyuczania.
 - Wpisz 8- lub 10-miejscowy numer transpondera. Potwierdź przyciskiem #. Dioda kontrolna zapala się przez chwilę na zielono, następnie świeci się ponownie na pomarańczowo.
 - Nowy transponder użytkownika zostaje zapisany we wcześniej wpisanym identyfikatorze.
- Transpondera, który jest już przyuczony / zapisany, nie można ponownie przyuczyć. Zamek szyfrowy wydaje w takim przypadku 3 krótkie sygnały dźwiękowe, dioda kontrolna miga na czerwono i następnie świeci się ponownie na pomarańczowo.
- Teraz można przyuczyć następny transponder użytkownika. W tym celu rozpocznij wpisywanie 8- lub 10-miejscowego numeru transpondera.
 - Ustaw żadaną lub maksymalną liczbę transponderów.

- Na koniec nacisnąć przycisk **[*]**. Przyuczenie zostanie zakończone i tryb programowania zostanie zakończony. Dioda kontrolna (2) świeci się teraz ponownie na czerwono, zamek szyfrowy znajduje się w trybie czuwania.

Możliwość 4: Tworzenie transponderów użytkownika z kolejnymi numerami transponderów w serii

Jeśli chcesz zapisać większą liczbę transponderów użytkownika w zamku kodowym i mieć transpondery z kolejnymi 8- lub 10-cyfrowymi numerami transponderów, zamek kodowy oferuje do tego osobną funkcję.

- Numery transponderów muszą być rosnące, bez żadnych luk w kolejności. Upewnij się, że ten warunek kart transpondera jest spełniony.

Należy postępować w następujący sposób:

- Zamek szyfrowy musi znajdować się w trybie czuwania, dioda kontrolna (2) musi świecić na czerwono.
- Aktywuj tryb programowania, patrz rozdział 11 „Programowanie”, „b) Aktywowanie/opuszczanie trybu programowania”, następnie dioda kontrolna (2) miga na czerwono.

Przykład: **[*][1][2][3][4][5][6][#]**

- Naciśnij przycisk **[1]**. Dioda kontrolna świeci (2) na pomarańczowo. Zamek szyfrowy znajduje się teraz w trybie przyuczania.
- Wprowadź liczbę początkową identyfikator użytkownika (liczbę od **[1]** ... **[2][0][0][0]** jest teoretycznie możliwe). Od tej wartości będą zapisywane transpondery.

- Pamiętaj o tym, aby po pierwszym identyfikatorze użytkownika dostępna była wystarczająca ilość miejsca dla transponderów, ponieważ w przeciwnym wypadku zamek szyfrowy zgłosi błąd. Oczywiście rozpoczęcie od identyfikatora użytkownika 1999 nie jest bardzo przydatne, ponieważ ręczne programowanie byłoby w takim przypadku całkowicie wystarczające.
- Potwierdź pierwszy identyfikator użytkownika przyciskiem [#]. Dioda kontrolna zapala się przez chwilę na zielono, następnie świeci się ponownie na pomarańczowo.
 - Wpisz liczbę transponderów, jakie mają zostać zapisane. Potwierdź przyciskiem [#]. Dioda kontrolna zapala się przez chwilę na zielono, następnie świeci się ponownie na pomarańczowo.
 - Wpisz pierwszy 8- lub 10-miejscowy numer transpondera. Potwierdź przyciskiem [#]. Dioda kontrolna zapala się przez chwilę na zielono, następnie świeci się ponownie na pomarańczowo.
 - Wszystkie transpondery użytkowników są teraz zapisywane jako uprawnione do dostępu od pierwszego identyfikatora użytkownika.
- W jednym przebiegu można zapisać do 2000 transponderów. Proces ten potrzebuje ok. 3 minut na wykonanie.

- Aby zakończyć proces przyuczania zaraz po przyuczaniu żądanej lub maksymalnej liczby transponderów i wyjść z trybu programowania, należy na koniec nacisnąć przycisk **[*]**. Dioda kontrolna (2) świeci się teraz ponownie stale na czerwono, zamek szyfrowy znajduje się w trybie czuwania.

e) Usuwanie transponderów użytkowników

Możliwość 1: Usuwanie transpondera użytkownika bez określonego identyfikatora użytkownika

- Zamek szyfrowy musi znajdować się w trybie czuwania, dioda kontrolna (2) musi świecić na czerwono.
- Aktywuj tryb programowania, patrz rozdział 11 „Programowanie”, „b) Aktywowanie/opuszczanie trybu programowania”, następnie dioda kontrolna (2) miga na czerwono.

Przykład: **[*] [1] [2] [3] [4] [5] [6] [#]**

- Naciśnij przycisk **[2]** na pilocie zdalnego sterowania. Dioda kontrolna świeci (2) na pomarańczowo. Zamek szyfrowy znajduje się teraz w trybie kasowania.
- W celu skasowania transpondera użytkownika przytrzymaj go przed powierzchnią czujnika RFID (1).
- Zamek szyfrowy wydaje sygnał dźwiękowy i dioda kontrolna (2) zapala się na chwilę na zielono w przypadku rozpoznania transpondera. Następnie dioda kontrolna (2) ponownie zaświeci się na pomarańczowo.

- Transponder użytkownika jest skasowany. W przypadku nieznaalezienia transpondera w pamięci zamka szyfrowego zamek szyfrowy wydaje 3 krótkie sygnały dźwiękowe, dioda kontrolna (2) miga na czerwono i następnie świeci ponownie na pomarańczowo.
- Teraz można usunąć inny transponder użytkownika. Przytrzymaj go po prostu przed zamkiem szyfrowym.
- Po usunięciu wystarczającej liczby transponderów naciśnij przycisk [#], aby zakończyć usuwanie. Wskaźnik kontrolny (2) będzie migać na czerwono.
- Naciśnij przycisk [*], aby wyjść z trybu programowania. Dioda kontrolna (2) będzie świecić stale na czerwono, aby wskazać, że zamek szyfrowy znajduje się w trybie czuwania.

Możliwość 2: Usuwanie transponderów za pomocą określonych identyfikatorów użytkowników

- Zamek szyfrowy musi znajdować się w trybie czuwania, dioda kontrolna (2) musi świecić na czerwono.
- Aktywuj tryb programowania, patrz rozdział 11 „Programowanie”, „b) Aktywowanie/opuszczanie trybu programowania”, następnie dioda kontrolna (2) miga na czerwono.

Przykład: [*] [1] [2] [3] [4] [5] [6] [#]

- Naciśnij przycisk [2] na pilocie zdalnego sterowania. Dioda kontrolna świeci (2) na pomarańczowo. Zamek szyfrowy znajduje się teraz w trybie kasowania.

- Wprowadź przeznaczony do usunięcia identyfikator użytkownika za pomocą pilota zdalnego sterowania i zakończ wprowadzanie za pomocą przycisku [#].

Przykład: [1] [2] [#]

- Zamek szyfrowy wydaje sygnał dźwiękowy i dioda kontrolna (2) zapala się na chwilę na zielono w przypadku rozpoznania transpondera. Następnie dioda kontrolna (2) ponownie zaświeci się na pomarańczowo. Identyfikator użytkownika tego transpondera został usunięty.

→ W przypadku nieznaalezienia identyfikatora użytkownika w pamięci zamka szyfrowego zamek szyfrowy wydaje 3 krótkie sygnały dźwiękowe, dioda kontrolna miga (2) na czerwono i następnie świeci ponownie na pomarańczowo.

- Teraz można usunąć kolejne identyfikatory użytkownika.
- W celu zakończenia procedury kasowania i opuszczenia trybu programowania naciśnij przycisk [*]. Dioda kontrolna (2) świeci się teraz ponownie stale na czerwono, zamek szyfrowy znajduje się w trybie czuwania.

Możliwość 3: Usuwanie transpondera użytkownika poprzez wprowadzenie 8-/10-miejscowego numeru transpondera

- Zamek szyfrowy musi znajdować się w trybie czuwania, dioda kontrolna (2) musi świecić na czerwono.
- Aktywuj tryb programowania, patrz rozdział 11 „Programowanie”, „b) Aktywowanie/opuszczanie trybu programowania”, następnie dioda kontrolna (2) miga na czerwono.

Przykład: * 1 2 3 4 5 6 #

- Naciśnij przycisk 2 na pilocie zdalnego sterowania. Dioda kontrolna świeci (2) na pomarańczowo. Zamek szyfrowy znajduje się teraz w trybie kasowania.
 - Aby usunąć transponder użytkownika, wpisz 8-miejscowy lub 10-miejscowy numer transpondera. Potwierdź przyciskiem #.
 - Zamek szyfrowy wydaje sygnał dźwiękowy i dioda kontrolna (2) zapala się na chwilę na zielono w przypadku rozpoznania transpondera. Następnie dioda kontrolna (2) ponownie zaświeci się na pomarańczowo.
 - Transponder użytkownika jest skasowany.
- W przypadku niezalezienia transpondera w pamięci zamka szyfrowego zamek szyfrowy wydaje 3 krótkie sygnały dźwiękowe, dioda kontrolna (2) miga na czerwono i następnie świeci ponownie na pomarańczowo.
- Teraz można usunąć inny transponder użytkownika. Wpisz kolejne 8- lub 10-miejscowe numery transpondera.
 - Aby zakończyć usuwanie, naciśnij przycisk #. Wskaźnik kontrolny (2) będzie migać na czerwono.
 - Naciśnij przycisk *, aby wyjść z trybu programowania. Dioda kontrolna (2) będzie świecić stale na czerwono, aby wskazać, że zamek szyfrowy znajduje się w trybie czuwania.

f) Kasowanie wszystkich danych użytkowników

Ta funkcja służy do usuwania wszystkich danych użytkowników (wszystkie transpondery) z pamięci zamku szyfrowego. Informacje o konfiguracji zostają zachowane.

Należy postępować w następujący sposób:

- Zamek szyfrowy musi znajdować się w trybie czuwania, dioda kontrolna musi świecić na czerwono.
- Aktywuj tryb programowania, patrz rozdział 11 „Programowanie”, „b) Aktywowanie/opuszczanie trybu programowania”, następnie dioda kontrolna miga na czerwono.

Przykład: * 1 2 3 4 5 6 #

- Naciśnij przycisk 2. Dioda kontrolna świeci się na pomarańczowo. Zamek szyfrowy znajduje się teraz w trybie kasowania. Wpisz ponownie kod Master:

Przykład: 1 2 3 4 5 6

- Potwierdź wprowadzenie przyciskiem #. Dioda kontrolna zapala się przez chwilę na zielono, następnie świeci się ponownie na pomarańczowo.
- Wszystkie dane użytkownika (transponder) zostaną usunięte.
- W celu zakończenia procedury kasowania i opuszczenia trybu programowania naciśnij przycisk *. Dioda kontrolna świeci się teraz ponownie na czerwono, zamek szyfrowy znajduje się w trybie czuwania.

Ustawianie czasu aktywacji wyjścia przekaźnika przy wyłączniku czasowym lub trybie przełączania (tryb zmienny)

Bezpotencjałowy styk przełączający zamka szyfrowego można aktywować w następujący sposób:

Możliwe są następujące funkcje:

- Styk przełączający aktywowany jest na czas od 2...99 sekund (ustawienie podstawowe 5 sekund); optymalne np. do mechanizmu otwierania drzwi
- Styk przełączający aktywowany jest na 100 ms (tryb impulsowy); optymalne np. do sterowania systemu alarmowego.
- Tryb przełączania Styk przełączający przełącza się między obiema pozycjami przełączania (wł./wył.) przy każdej ważnej próbie dostępu. Jest to optymalne np. do zbrojenia/rozbrajania w systemie alarmowym.

Należy postępować w następujący sposób:

- Zamek szyfrowy musi znajdować się w trybie czuwania, dioda kontrolna musi świecić na czerwono.
- Aktywuj tryb programowania, patrz rozdział 11 „Programowanie” „b) Aktywowanie/opuszczanie trybu programowania”. Następnie dioda kontrolna zaczyna migać na czerwono.

Przykład: * 1 2 3 4 5 6 #

- Naciśnij przycisk 3. Dioda kontrolna świeci się na pomarańczowo.

- Wpisz żądany czas / żądaną funkcję:
 $\boxed{0}$ = tryb przełączania Wyjście jest przełączane pomiędzy otwartymi / zamkniętymi.
 $\boxed{1} - \boxed{9}\boxed{9}$ = wyjście zostaje uaktywnione dla określonego czasu (w sekundach). Ustawienie wstępne to 5 sekund.
 Przykład $\boxed{5}\boxed{5}$.
- Potwierdź wprowadzenie przyciskiem $\boxed{\#}$.
 Dioda kontrolna zapala się na chwilę na zielono, następnie miga na czerwono (tryb programowania).
- Aby wyjść z trybu programowania, naciśnij przycisk $\boxed{*}$.
 Dioda kontrolna świeci się teraz ponownie na czerwono, zamek szyfrowy znajduje się w trybie czuwania.

g) Funkcja bezpieczeństwa przy nieważnych próbach dostępu

Rozlega się alarm lub użytkownikowi zostaje odmówiony dostęp (np. przy próbie wypróbowania transponderów) poprzez zablokowanie zamka szyfrowego. Ta funkcja alarmu może zostać włączona i wyłączona, patrz również rozdział 11 „Programowanie” „h) Ustawianie czasu trwania alarmu”.

- Naciśnięcie przycisku otwarcia otwiera zamek od wewnątrz, nawet gdy alarm jest aktywny. Alarm nie zostanie przy tym wyłączony.

Dostępne są następujące funkcje:

Brak blokady (ustawienie podstawowe)

Nieważne próby dostępu są ignorowane.

Blokada na 10 minut

W przypadku 10 nieważnych prób dostępu na transponder zamek jest blokowany na 10 minut. Dioda kontrolna (2) miga na czerwono. W tym czasie dostępu nie mogą aktywować również ważne transpondery.

Wyzwalanie alarmu

Po 10 nieważnych próbach dostępu przez transponder zamek szyfrowy generuje sygnał alarmowy.

Czas trwania alarmu można ustawiać (1 ... 3 minuty, ustawienie podstawowe 1 minuta), patrz rozdział 11 „Programowanie”. „h) Ustawianie czasu trwania alarmu”).

Przy użyciu ważnego kodu Master lub odczytu ważnego transpondera użytkownika alarm może zostać wcześniej zakończony. Alarm zostanie wyłączony za pomocą ustawienia fabrycznego.

Aby ustawić funkcję bezpieczeństwa, należy postępować w następujący sposób:

- Zamek szyfrowy musi znajdować się w trybie czuwania, dioda kontrolna (2) musi świecić na czerwono.

- Aktywuj tryb programowania, patrz rozdział 11 „Programowanie”, „b) Aktywowanie/opuszczanie trybu programowania”, następnie dioda kontrolna (2) miga na czerwono.

Przykład: * 1 2 3 4 5 6 #

- Naciśnij przycisk 4. Dioda kontrolna świeci (2) na pomarańczowo.
- Podaj żadaną funkcję:
 - 0 = alarm jest wyłączony.
 - 1 = blokada zamka szyfrowego na 10 minut.
 - 2 = alarm rozlega się przez ustawiony czas lub do czasu wyłączenia go w tym czasie w prawidłowy sposób (poprzez wprowadzenie kodu Master +# lub poprzez odczyt prawidłowego transpondera).
- Potwierdź wprowadzenie przyciskiem #. Dioda kontrolna (2) zapala się na chwilę na zielono, następnie miga na czerwono.
- Aby wyjść z trybu programowania, naciśnij przycisk * . Dioda kontrolna (2) świeci się teraz ponownie stale na czerwono, zamek szyfrowy znajduje się w trybie czuwania.

h) Ustawianiu czasu trwania alarmu

Czas trwania alarmu funkcji bezpieczeństwa i alarmu sabotażowego jest regulowany (od 1 do 3 minut, ustawienie podstawowe 1 minuta). Aby ustawić czas trwania alarmu, należy postępować w następujący sposób:

- Zamek szyfrowy musi znajdować się w trybie czuwania, dioda kontrolna (2) musi świecić na czerwono.
- Aktywuj tryb programowania, patrz rozdział 11 „Programowanie”, „b) Aktywowanie/opuszczanie trybu programowania”, następnie dioda kontrolna (2) miga na czerwono.

Przykład: * 1 2 3 4 5 6 #

- Naciśnij przycisk 5. Dioda kontrolna świeci (2) na pomarańczowo.
- Podaj żadaną funkcję:
0 = alarmy są wyłączone.
13 = alarmy rozbrzmiewają przez od 1 do 3 minut.
(Ustawienie podstawowe to jedna minuta)
- Potwierdź wprowadzenie przyciskiem #. Dioda kontrolna (2) zapala się na chwilę na zielono, następnie miga na czerwono (tryb programowania).
- Aby wyjść z trybu programowania, naciśnij przycisk * . Dioda kontrolna (2) świeci się teraz ponownie stale na czerwono, zamek szyfrowy znajduje się w trybie czuwania.

i) Ustawianie akustycznego sygnału ostrzegawczego

Możesz włączać i wyłączać sygnały ostrzegawcze zamka szyfrowego.

Aby ustawić dźwięk, należy postępować w następujący sposób:

- Zamek szyfrowy musi znajdować się w trybie czuwania, dioda kontrolna musi świecić na czerwono.
- Aktywuj tryb programowania, patrz rozdział 11 „Programowanie”, „b) Aktywowanie/opuszczanie trybu programowania”, następnie dioda kontrolna miga na czerwono.

Przykład: [*] [1] [2] [3] [4] [5] [6] [#]

- Potwierdź wprowadzenie przyciskiem [#]. Dioda kontrolna zapala się przez chwilę na zielono, następnie świeci się ponownie na pomarańczowo.
- Naciśnij przycisk [6]. Dioda kontrolna świeci (2) na pomarańczowo.
- Podaj żadaną funkcję:

[3] = dźwięki alarmowe i obsługowe zamka szyfrowego są wyłączone.

[4] = dźwięki alarmowe i obsługowe zamka szyfrowego są włączone

→ dźwięki są włączone fabrycznie w ustawieniu podstawowym.

- Aby wyjść z trybu programowania, naciśnij przycisk **[*]** . Dioda kontrolna świeci się teraz ponownie na czerwono, zamek szyfrowy znajduje się w trybie czuwania.

j) Ustawianie wizualnego sygnału ostrzegawczego

Możesz włączać i wyłączać sygnały ostrzegawcze zamka szyfrowego.

Aby ustawić zachowanie wskaźnika diodowego, należy postępować w następujący sposób:

- Zamek szyfrowy musi znajdować się w trybie czuwania, dioda kontrolna musi świecić na czerwono.
- Aktywuj tryb programowania, patrz rozdział 11 „Programowanie”, „b) Aktywowanie/opuszczanie trybu programowania”, następnie dioda kontrolna miga na czerwono.


Przykład: **[*] [1] [2] [3] [4] [5] [6] [#]**

- Potwierdź wprowadzenie przyciskiem **[#]**. Dioda kontrolna zapala się przez chwilę na zielono, następnie świeci się ponownie na pomarańczowo.
- Naciśnij przycisk **[6]**. Dioda kontrolna świeci (2) na pomarańczowo.
- Podaj żadaną funkcję:

[1] = dioda kontrolna zamka szyfrowego jest wyłączona.

[2] = dioda kontrolna zamka szyfrowego jest włączona.

→ Diodowy wskaźnik kontrolny jest włączony fabrycznie w ustawieniu podstawowym.

- Aby wyjść z trybu programowania, naciśnij przycisk  . Dioda kontrolna świeci się teraz ponownie na czerwono, zamek szyfrowy znajduje się w trybie czuwania.

k) Korzystanie z transpondera Master

Przyuczenie transpondera użytkownika przy użyciu transpondera „Master Add Card”

W zestawie znajduje się specjalny transponder z napisem „Master Add Card”. Przy jego pomocy można szybko przyuczać transpondery użytkowników, ponieważ nie ma konieczności podawania kodu przy użyciu pilota IR.

W celu przyuczenia należy postępować w następujący sposób:

- Zamek szyfrowy musi znajdować się w trybie czuwania, dioda kontrolna (2) musi świecić na czerwono.
- Przytrzymaj dołączony do zestawu transponder do programowania (oznaczony napisem „Master Add Card”) przed powierzchnią czujnika RFID (1) na zamku szyfrowym.
- W celu przyuczenia transpondera użytkownika przytrzymaj go przed powierzchnią czujnika RFID (1).
- Zamek szyfrowy wydaje sygnał dźwiękowy i dioda kontrolna (2) zapala się na chwilę na zielono w przypadku rozpoznania transpondera. Następnie dioda kontrolna (2) ponownie zaświeci się na pomarańczowo.

- Transponder użytkownika jest w ten sposób zapisany jako użytkownik.
- Teraz można przyuczyć następnego transpondera użytkownika. Przytrzymaj go po prostu przed zamkiem szyfrowym i potwierdź wczytywanie; postępuj dalej w taki sam sposób, jak opisano powyżej.
- W celu zakończenia procesu przyuczania przytrzymaj dołączony do zestawu transponder do programowania (z napisem „Master Add Card”) przed powierzchnią czujnika RFID (1) na zamku szyfrowym.
- Dioda kontrolna (2) świeci się teraz ponownie stale na czerwono, zamek szyfrowy znajduje się w trybie czuwania.

Usuwanie transpondera użytkownika przy użyciu transpondera „Master Delete Card”

W zestawie znajduje się specjalny transponder z napisem „Master Delete Card”. Przy jego pomocy można szybko usuwać transpondery użytkowników, ponieważ nie ma konieczności podawania kodu przy użyciu pilota IR.

W celu skasowania należy postępować w opisany poniżej sposób:

- Zamek szyfrowy musi znajdować się w trybie czuwania, dioda kontrolna (2) musi świecić na czerwono.
- Przytrzymaj dołączony do zestawu transponder do usuwania (oznaczony napisem „Master Delete Card”) przed powierzchnią czujnika RFID (1) na zamku szyfrowym.

- Aby usunąć transponder użytkownika, należy go teraz po prostu przytrzymać przed powierzchnią czujnika RFID (1).
- Zamek szyfrowy wydaje sygnał dźwiękowy i dioda kontrolna (2) zapala się na chwilę na zielono w przypadku rozpoznania transpondera. Następnie dioda kontrolna (2) ponownie zaświeci się na pomarańczowo.
- Transponder użytkownika jest skasowany.

→ W przypadku niezalezienia transpondera w pamięci zamka szyfrowego zamek szyfrowy wydaje 3 krótkie sygnały dźwiękowe, dioda kontrolna (2) miga na czerwono i następnie świeci ponownie na pomarańczowo.

- Teraz można usunąć inny transponder użytkownika. Przytrzymaj go po prostu przed zamkiem szyfrowym i potwierdź wczytywanie; postępuj w taki sam sposób, jak opisano powyżej.
- W celu zakończenia procesu usuwania przytrzymaj dołączony do zestawu transponder do usuwania (z napisem „Master Delete Card”) przed powierzchnią czujnika RFID (1) na zamku szyfrowym.
- Dioda kontrolna (2) świeci się teraz ponownie stale na czerwono, zamek szyfrowy znajduje się w trybie czuwania.

I) Resetowanie do ustawień fabrycznych

- Wyłącz zasilanie elektryczne produktu.
- Naciśnij i przytrzymaj przycisk otwarcia, podczas gdy ponownie podłączasz zasilanie. Rozlegają się dwa krótkie sygnały dźwiękowe. Poczekaj, aż dioda kontrolna (2) zaświeci się na pomarańczowo. W przypadku tego sygnału należy ponownie zwolnić przycisk. Następnie odczytaj kolejno oba dołączone do zestawu transpondery Master (oznaczone napisem „Master Add Card” i „Master Delete Card”) na powierzchni czujnika RFID (1) na zamku szyfrowym.
- Ustawienia zostaną zresetowane do oryginalnych ustawień fabrycznych. Dioda kontrolna (2) świeci się następnie ponownie na czerwono, zamek szyfrowy znajduje się w trybie czuwania.

→ Oba transpondery Master są przy tym jednocześnie przyuczane na nowo jako transpondery Master. Transponder, który został odczytany jako pierwszy, powinien być oznaczony „Master Add Card”, a drugi jako „Master Delete Card”. W przypadku nieprzestrzegania tej kolejności oba transpondery zostaną podczas tego procesu przeprogramowane na inne funkcje i tym samym zamienione. Napisy muszą zostać wtedy ewentualnie zmienione przez ponowne etykietowanie lub należy ponownie wykonać procedurę korekty, aby ponownie zaprogramować transpondery Master zgodnie z oznaczeniami.

- Pierwszy transponder jest transponderem, przy pomocy którego można przyuczyć nowe transpondery (= „Master Add Card”).
 - Następny transponder jest transponderem, przy którego pomocy można usuwać przyuczone transpondery (= „Master Delete Card”).
- Wszystkie ew. zaprogramowane informacje użytkownika i informacje transpondera pozostają zachowane po resecie do ustawień fabrycznych.

12. Obsługa

a) Aktywacja styku przełączającego (otwieranie i zamykanie drzwi)

Aktywacja poprzez transponder użytkownika (karta EM)

Transponder należy przytrzymać przed powierzchnią czujnika (w odległości maks. ok. 4 cm). W przypadku rozpoznania ważnego transpondera zamek szyfrowy wydaje sygnał dźwiękowy, dioda kontrolna (2) zapala się na chwilę na zielono i aktywowany jest styk przełączający. W trybie przełączania drugi odczyt transpondera zamyka zamek szyfrowy.

Aktywacja styku przełączającego przyciskiem otwierania

W przypadku podłączenia do zamka szyfrowego przycisku otwierania drzwi styk przełączający można aktywować poprzez krótkie naciśnięcie przycisku. Czas aktywacji odpowiada okresowi wykorzystywanemu również w przypadku ważnego transpondera użytkownika. W trybie przełączania można za pomocą przycisku otwierania zmienić ustawienie przełączania styku przełączającego.

b) Kończenie alarmu / wyłączenie alarmu

Zamek szyfrowy monitoruje liczbę prób otwarcia. Gdy próba otwarcia nie powiodła się dziesięć razy, uruchomiony zostanie alarm. Jeśli alarm został uruchomiony, masz kilka możliwości jego zakończenia.

Alarm można skasować za pomocą transpondera przyuczonego do zamka szyfrowego lub za pomocą kodu Master w następujący sposób.

- Przytrzymaj ważny transponder przy zamku szyfrowym
- Wprowadź odpowiedni kod master +[#] za pomocą pilota zdalnego sterowania

13. Sygnały dźwiękowe i wizualne

Diody LED (czerwona i zielona) znajdują się na przedniej stronie zamka szyfrowego (2). W obudowie wbudowany jest również generator dźwięku (brzęczyk). Sygnały obu systemów ostrzegawczych mają następujące funkcje:

Status	LED	Sygnal dźwiękowy
Tryb czuwania	czerwona dioda kontrolna świeci jasno	-
Włącz tryb programowania	czerwona dioda kontrolna świeci	jeden sygnał dźwiękowy
Tryb programowania włączony	Diody kontrolne świecą jasno na pomarańczowo (czerwona i zielona dioda świecą się razem)	jeden sygnał dźwiękowy
Błąd roboczy	-	trzy krótkie sygnały dźwiękowe
Opuszczenie trybu programowania	czerwona dioda kontrolna świeci jasno	jeden krótki sygnał dźwiękowy
Otwórz zamek	zielona dioda kontrolna świeci jasno	jeden sygnał dźwiękowy
Alarm wyzwolony	czerwona dioda kontrolna szybko miga	stałe sygnały dźwiękowe

- Dokładny opis diody kontrolnej i sygnałów dźwiękowych znajduje się we właściwych rozdziałach niniejszej instrukcji obsługi.

14. Pielęgnacja i czyszczenie



Nie stosuj agresywnych detergentów, alkoholu ani innych rozpuszczalników chemicznych, ponieważ mogą one spowodować uszkodzenie obudowy a nawet ograniczyć funkcjonalność produktu.

- Do czyszczenia obudowy produktu używaj suchej, niepozostawiającej włókien szmatki.
- Przed każdym czyszczeniem wnętrza odłącz urządzenie od zasilania.

15. Deklaracja zgodności (DOC)

My, Conrad Electronic SE, Klaus-Conrad-Straße 1, D-92240 Hirschau, deklarujemy, że produkt ten jest zgodny z postanowieniami Dyrektywy 2014/53/UE.

- Pełny tekst deklaracji zgodności UE jest dostępny pod następującym adresem internetowym:

www.conrad.com/downloads

W polu wyszukiwania należy wpisać numer zamówienia produktu, a następnie pobrać deklarację zgodności UE w dostępnych językach.

16. Utylizacja



Urządzenia elektroniczne mogą być poddane recyklingowi i nie zaliczają się do odpadów z gospodarstw domowych. Produkt należy zutylizować po zakończeniu jego eksploatacji zgodnie z obowiązującymi przepisami prawnymi.

W ten sposób użytkownik spełnia wymogi prawne i ma swój wkład w ochronę środowiska.

17. Dane techniczne

Zasilanie elektryczne	9 - 24 V/DC
Pobór prądu.....	(<40 ma (typowo w trybie jałowym)
Obciążalność styku przekaźnika	24 V/DC, maks. 2 A
Przekaźnik	Karta transpondera 125 kHz
Odległość odczytu	≤4 cm
Długość identyfikatora użytkownika	4-6 cyfr
Programowalni użytkownicy	2000 transponder
Czas przekazywania.....	0 do 99 sekund (zazwyczaj 5 sekund)
Materiał.....	Odlew ciśnieniowy cynku i ABS (przód urządzenia)
Miejsce montażu.....	Wewnątrz i na zewnątrz
Warunki pracy/przechowywania	Od -40 do +60°C,
Wymiary (Ø × wys.)	73 x 20 mm
Masa.....	180 g

(GB) This is a publication by Conrad Electronic SE, Klaus-Conrad-Str. 1, D-92240 Hirschau (www.conrad.com).

All rights including translation reserved. Reproduction by any method, e.g. photocopy, microfilming, or the capture in electronic data processing systems require the prior written approval by the editor. Reprinting, also in part, is prohibited. This publication represent the technical status at the time of printing.

Copyright 2020 by Conrad Electronic SE.

(F) Ceci est une publication de Conrad Electronic SE, Klaus-Conrad-Str. 1, D-92240 Hirschau (www.conrad.com).

Tous droits réservés, y compris de traduction. Toute reproduction, quelle qu'elle soit (p. ex. photocopie, microfilm, saisie dans des installations de traitement de données) nécessite une autorisation écrite de l'éditeur. Il est interdit de le réimprimer, même par extraits. Cette publication correspond au niveau technique du moment de la mise sous presse.

Copyright 2020 by Conrad Electronic SE.

(NL) Dit is een publicatie van Conrad Electronic SE, Klaus-Conrad-Str. 1, D-92240 Hirschau (www.conrad.com).

Alle rechten, vertaling inbegrepen, voorbehouden. Reproducties van welke aard dan ook, bijvoorbeeld fotokopie, microverfilming of de registratie in elektronische gegevensverwerkingsapparatuur, vereisen de schriftelijke toestemming van de uitgever. Nadruk, ook van uittreksels, verboden. De publicatie voldoet aan de technische stand bij het in druk bezorgen.

Copyright 2020 by Conrad Electronic SE.

(I) Questa è una pubblicazione da Conrad Electronic SE, Klaus-Conrad-Str. 1, D-92240 Hirschau (www.conrad.com).

Tutti i diritti, compresa la traduzione sono riservati. È vietata la riproduzione di qualsivoglia genere, quali fotocopie, microfilm o memorizzazione in attrezzature per l'elaborazione elettronica dei dati, senza il permesso scritto dell'editore. È altresì vietata la riproduzione sommaria. La pubblicazione corrisponde allo stato tecnico al momento della stampa.

Copyright 2020 by Conrad Electronic SE.

(PL) To publikacja została opublikowana przez Conrad Electronic SE, Klaus-Conrad-Str. 1, D-92240 Hirschau, Niemcy (www.conrad.com).

Wszelkie prawa odnośnie tego tłumaczenia są zastrzeżone. Reprodukowanie w jakiegokolwiek formie, kopiowanie, tworzenie mikrofilmów lub przechowywanie za pomocą urządzeń elektronicznych do przetwarzania danych jest zabronione bez pisemnej zgody wydawcy. Powielanie w całości lub w części jest zabronione. Publikacja ta odpowiada stanowi technicznemu urządzeń w chwili druku.

Copyright 2020 by Conrad Electronic SE.