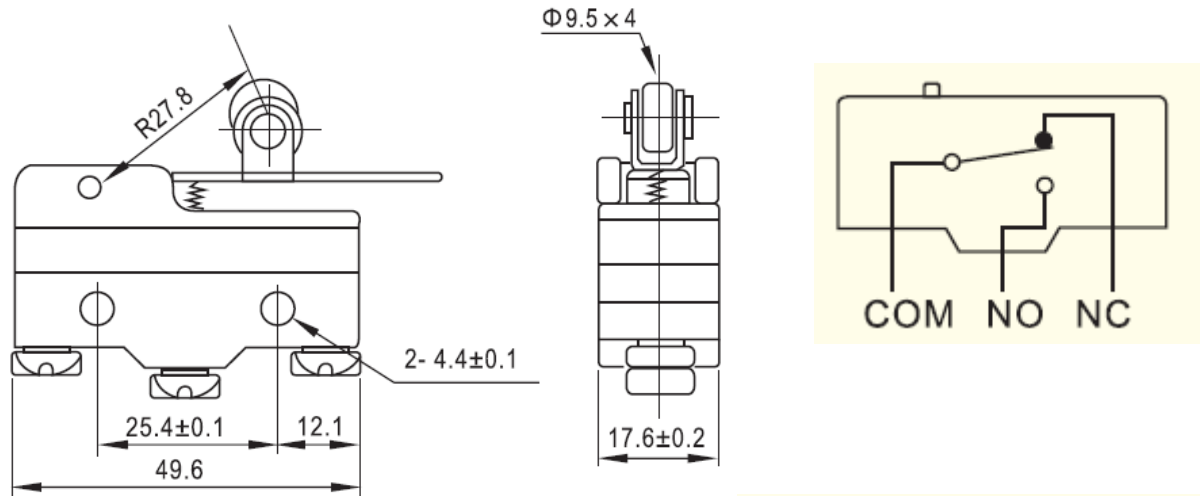


Data Sheet

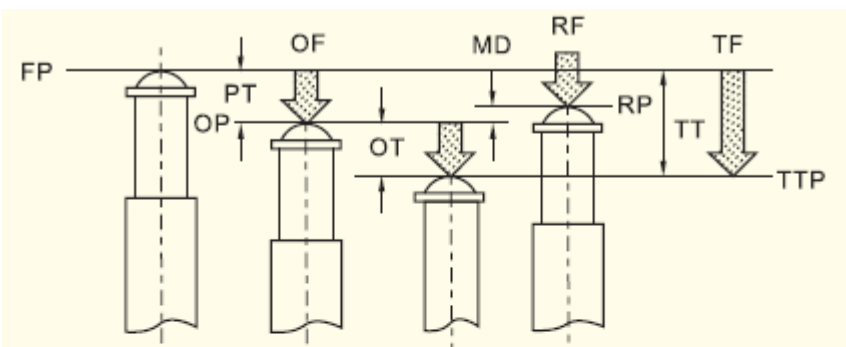
Micro switch

Version 08/20



Operating Characteristics

Type	LTM-1701	LTM-1702	LTM-1703	LTM-1704	LTM-1705	LTM-1306	LTM-1307	LTM-1308 LTM-1309
OF Max.	70g	160g	1 00g	160g	10g	350g	350g	350g
RF Min.	14g	28g	22g	42g	3g	114g	114g	114g
PT Max.	10mm	3mm	7.1mm	2.7mm	20mm	0.4mm	0.4mm	0.4mm
OT Min.	5.6mm	2mm	4mm	2.4mm	5.6mm	1.6mm	5.5mm	3.58mm
MD Max.	1.27mm	1mm	1.02mm	0.5mm	3mm	0.05mm	0.05mm	0.05mm
PF Max.	28.2mm	24.8mm	36.5mm	32.5mm				
OP	19±0.8	19±0.4	30.2±0.8	30.2±0.4	19±0.8	21.5±0.5	21.8 0.8	33.4±1.2



- FP: Free Position
- OP: Operating Position
- PT: Pre-Travel
- OF: Operating Force
- OT: Over Travel
- MD: Movement Differential
- RF: Release Force
- RP: Release Position
- TT: Total Travel
- TF: Total travel Force
- TTP: Total Travel Position

Data Sheet

Specification

Contact structure	1NO1NC
Switch rating	15A/250VAC
Terminal	Screw
Operating and storage temperature	-10 to +80 °C
Operating and storage humidity	lower than 95% RH