

1

2

3

4

5

6

7

Package Details

RoHS Compliant

Signature	Revision History	Date	Rev.
Sean	For Bulk Production	May,21,2014	01

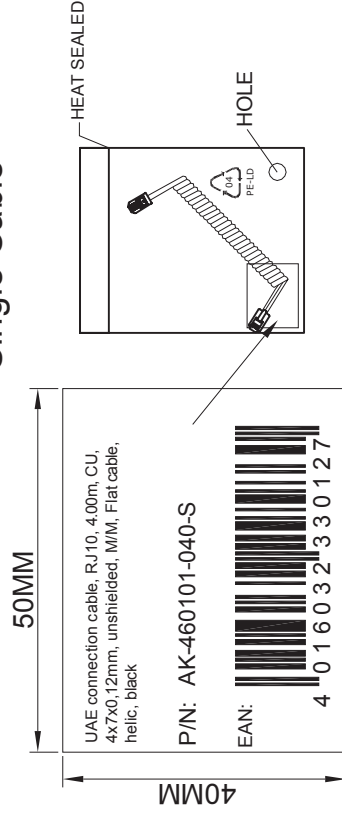
Single Cable

P/N	Cable Length	Rolling Size (Single Cable)	Polybag Type (Single Cable)	Bag Size (Single Cable)	Article Weight (Single Cable)
AK-460101-040-S	4.0m	120mm max.	Ordinary Polybag (Heat Sealed)	mm	kg

Inner Packing Unit

P/N	Cable Length	Quantity (Inner Packing Unit)	Type (Inner Packing Unit)	Size (Inner Packing Unit)	Weight (Inner Packing Unit)
AK-460101-040-S	4.0m	10 pcs	Polybag (Heat Sealed)	mm	kg

Single Cable

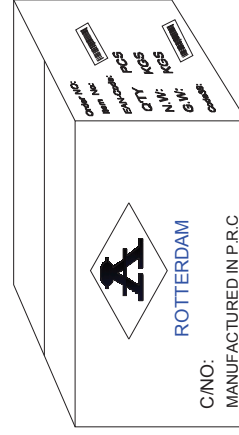


Inner Packing Unit



CARTON DETAILS

P/N	Cable Length	Quantity (Carton)	Measurement (Carton)	N.W. (Carton)	G.W. (Carton)
AK-460101-040-S	4.0m	pcs	cm	kg	kg



- * "ROTTERDAM" is for Sea Freight shipment
- * "COLOGNE" is for Air Freight shipment
- * "LUDENSCHIED" is for Fedex or UPS shipment

Drawn by	Date	Name	Part No.
Sean	May,21,2014	Sean	AK-460101-040-S
Checked by	May,21,2014	Joe	EAN: 4016032330127
Approved by	May,21,2014	Andy	

ASSMANN
Electronic GmbH

Title
UAE connection cable, RJ10, 4.00m,
CU, 4x7x0,12mm, unshielded, M/M,
Flat cable, helic, black

Scale	N/A	Sheet
Unit	MM	2/2

1

2

3

4

5

6

7