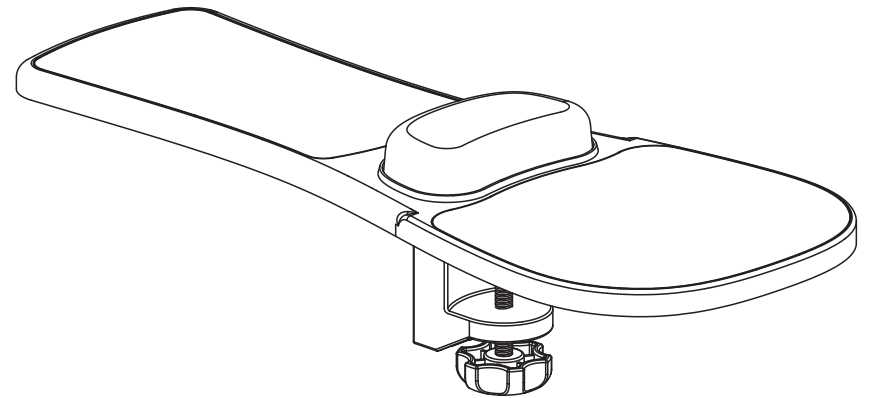


# Arm/Wrist Rest



10240-MP05-2

