



Typ U5-30.F



Typ U5-30.R



### Rohrgriffserie U5

**Werkstoff und Oberfläche:**  
Rohre aus  $\varnothing 30 \times 1,5$  mm Aluminium AlMgSi 0,5; naturfarben eloxiert oder schwarz pulverbeschichtet mit Feinstruktur. Alternativ aus Edelstahl Werkstoff-Nr. 1.4301; feingeschliffen.

**Typ U5-30.F**  
Frontseitige Befestigung mittels Zylinderschrauben aus Edelstahl M6 x 85 DIN 912, Muttern DIN 934 und Unterscheiben DIN 125 (im Lieferumfang enthalten). Rohrhalter und Rohrkappe aus Polyamid PA 6, glaskugelverstärkt, schwarz, halbmatt mit Feinstruktur.

**Typ U5-30.R**  
Rückseitige Befestigung über verzinkten Stahleinsatz. Übrige Bauteile wie Typ U5-30.F.

**Tragkraft:**  
min. 1.000 N.

**Hinweis:**  
Beliebige Griffängen auf Anfrage.

### Tube Handle Series U5

**Material and surface:**  
Tubes of  $\varnothing 30 \times 1.5$  mm aluminium AlMgSi 0.5; natural colour anodized or black powder coated with fine structure. Alternatively, tube made of stainless steel, material no. 1.4301; fine ground.

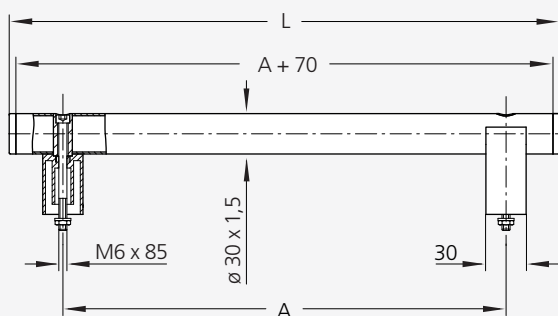
**Typ U5-30.F**  
For front mounting by cylinder head socket screws M6 x 85 DIN 912, nuts DIN 934 and washers DIN 125 made of stainless steel (included in scope of supply). Tube holders and tube caps made of polyamide PA 6, glass ball reinforced, black, half-matt with fine structure.

**Typ U5-30.R**  
For mounting from behind by galvanized screw down insert made of steel.

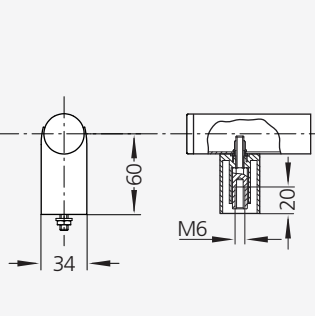
**Stress resistance:**  
min. 1.000 N.

**Note:**  
Any desired handle lengths on request.

Typ U5-30.F



Typ U5-30.R



#### Rohre aus Aluminium Tubes made of aluminium

naturfarben eloxiert  
natural colour anodized

Bestell-Nr.  
Order no.

schwarz pulverbeschichtet  
black powder coated

Bestell-Nr.  
Order no.

#### Rohre aus Edelstahl Tubes made of stainless steel feingeschliffen

fine ground

Bestell-Nr.  
Order no.

Typ	A	L	Bestell-Nr. Order no.	Bestell-Nr. Order no.	Bestell-Nr. Order no.
U5-30.F	200	280	U5-30.F200.01	U5-30.F200.54	U5-30.F200.37
	250	330	U5-30.F250.01	U5-30.F250.54	U5-30.F250.37
	300	380	U5-30.F300.01	U5-30.F300.54	U5-30.F300.37
	350	430	U5-30.F350.01	U5-30.F350.54	U5-30.F350.37
	400	480	U5-30.F400.01	U5-30.F400.54	U5-30.F400.37
U5-30.R	500	580	U5-30.F500.01	U5-30.F500.54	U5-30.F500.37
	200	280	U5-30.R200.01	U5-30.R200.54	U5-30.R200.37
	250	330	U5-30.R250.01	U5-30.R250.54	U5-30.R250.37
	300	380	U5-30.R300.01	U5-30.R300.54	U5-30.R300.37
	350	430	U5-30.R350.01	U5-30.R350.54	U5-30.R350.37
	400	480	U5-30.R400.01	U5-30.R400.54	U5-30.R400.37
	500	580	U5-30.R500.01	U5-30.R500.54	U5-30.R500.37

Alle Maße in mm. / All dimensions in mm.