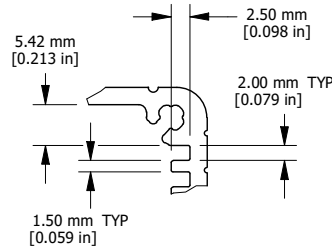
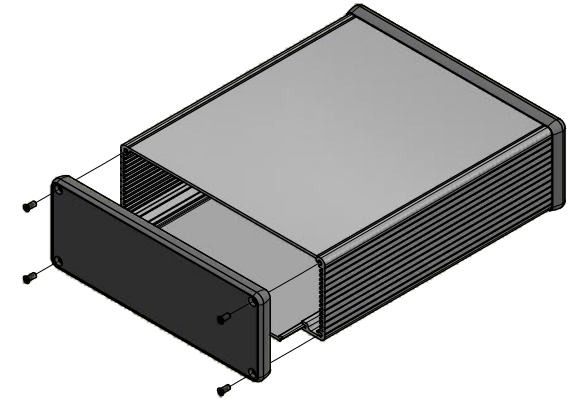


EXTRUSION

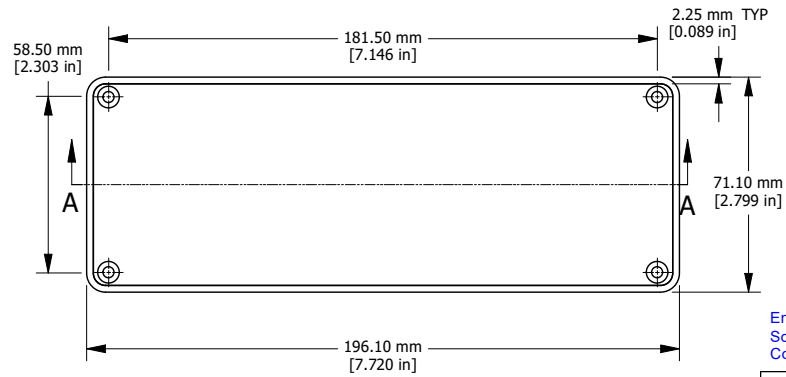
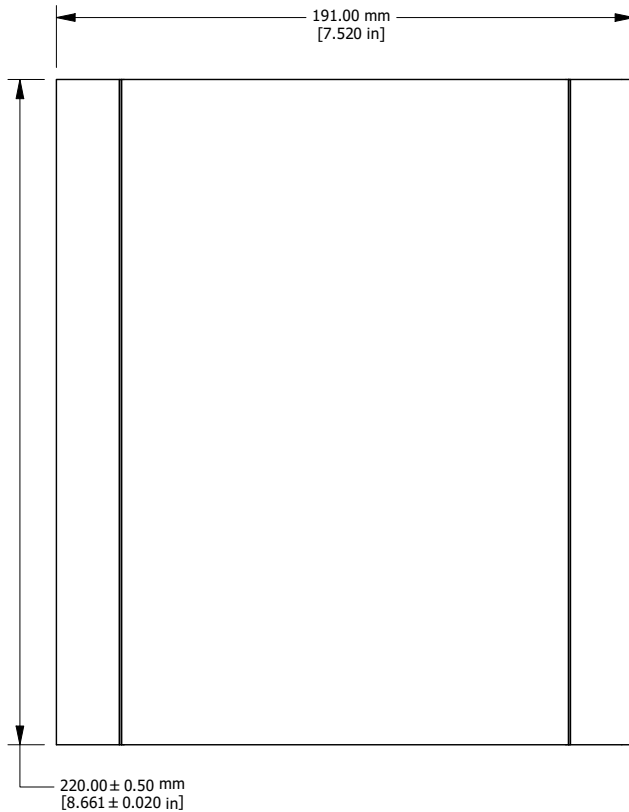


DETAIL A

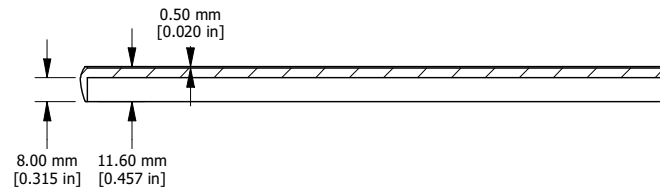


EXPLODED ISOMETRIC VIEW

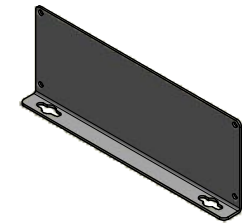
EXTRUSION DESIGNED FOR 160MM WIDE PC BOARD



CLOSED BEZEL



SECTION A-A



OPTIONAL FLANGED
END PANELS 1455UF

Enclosures can be Factory Modified (Milling, Drilling, Printing etc.)
Solid models of this enclosure available in STEP or IGES.
Contact Factory mjm@hammondmfg.com

| NOTE | |
|--|-------------|
| Purchased assembly includes box, plastic bezels, #6 Taptight screws and self adhesive rubber feet. | |
| Box made from Extruded Aluminum 6063. | |
| Bezels made with ABS. | |
| 1455U2202 | |
| PART NUMBERS | |
| Clear Anodized | 1455U2202 |
| Black Anodized | 1455U2202BK |
| ACCESSORIES | |
| See website for accessories. | |



HAMMOND
MANUFACTURING™

1455U2202

www.hammondmfg.com