

18 W
NAPAJALNIK
AC/DC

18 Watni napajalnik

Serijski vtičnih napajalnikov HNP18-V2



HNP-POWER

Posebne funkcije

Vtični preklopni adapter
Dvojna izolacija
Kompaktna zasnova
Zaščita pred preobremenitvijo in kratkim stikom
Najnižja poraba energije v stanju pripravljenosti
EU CoC V5 raven 2 / EnergyStar DOE VI EU CoC V5 raven 2 / EnergyStar DOE VI

Aplikacija

Računalniki z eno ploščo
Brezžična komunikacija
Periferni naprave
Mreženje
Mobilna oprema
Tablični računalniki / pametni telefoni
Telecom

Tehnični podatki

(pri temperaturi okolja 25 °C)

Vhodni podatki

| | |
|----------------------------------|------------------------------------|
| Vhodna napetost | 90...264 VAC |
| Vhodna frekvenca | 47...63 Hz |
| Vhodni tok | 450mA(efektivna vrednost) @ 90 VAC |
| Premostitev okvare omrežja | 20 ms @230VAC |
| Trenutni zagonski tok | <30A/230VAC |
| Poraba energije brez obremenitve | < 0,075 Watt |

Izhodni podatki

| | |
|-------------------------------|-----------------|
| Moč | tip. 18 Watt |
| Učinkovitost | DOE VI / CoC V5 |
| raven 2 Čas regeneracije ±2 % | največ 1 ms |
| Valovanje in hrup | največ 100mV pp |

Splošne specifikacije

| | |
|--|--|
| Delovna temperatura | -10°C...40°C |
| Temperatura shranjevanja | □20°C...□70°C |
| Vlažnost zraka | 10...90 % RH |
| Izolacija - Dielektrična odpornost (Hipot) | 3000VAC 1min 5mA inp.<->outp. |
| Prepustni tok | 0,25 mA max. @240 VAC |
| Zaščita pred prekomernim tokom | neprekinjeno, samodejni ponovni zagon |
| Prenapetostna zaščita | tip. 120% |
| Varnostne zahteve | TÜV/GS EN62368-1:2014+A11:2017 ETL UL 62368-1:2014 Ed.2 EN55032:2015; EN55035:2017 EN61000-3-2:2019; EN61000-3-3:2013+A1:2019 |

EMC

RoHS

2015/863/EU

18 Watt moči

Seriya vtičnih napajalnikov HNP18-V2

Bestell-Information / Informacije o naročilu

| Model | Izhod Izhod | Obremenitev/obremenitev | |
|-------------|----------------|-------------------------|--------|
| | | Min. | Max. |
| HNP18-050V2 | 5 V | 0.0 A | 3.0 A |
| HNP18-090V2 | 9 V | 0.0 A | 2.0 A |
| HNP18-120V2 | 12 V | 0.0 A | 1.5 A |
| HNP18-150V2 | 15 V | 0.0 A | 1.2 A |
| HNP18-240V2 | 24 V | 0.0 A | 0.75 A |

Opomba

Druge izvedbe (napetosti / priključki / barve) z minimalno količino naročila na zahtevo

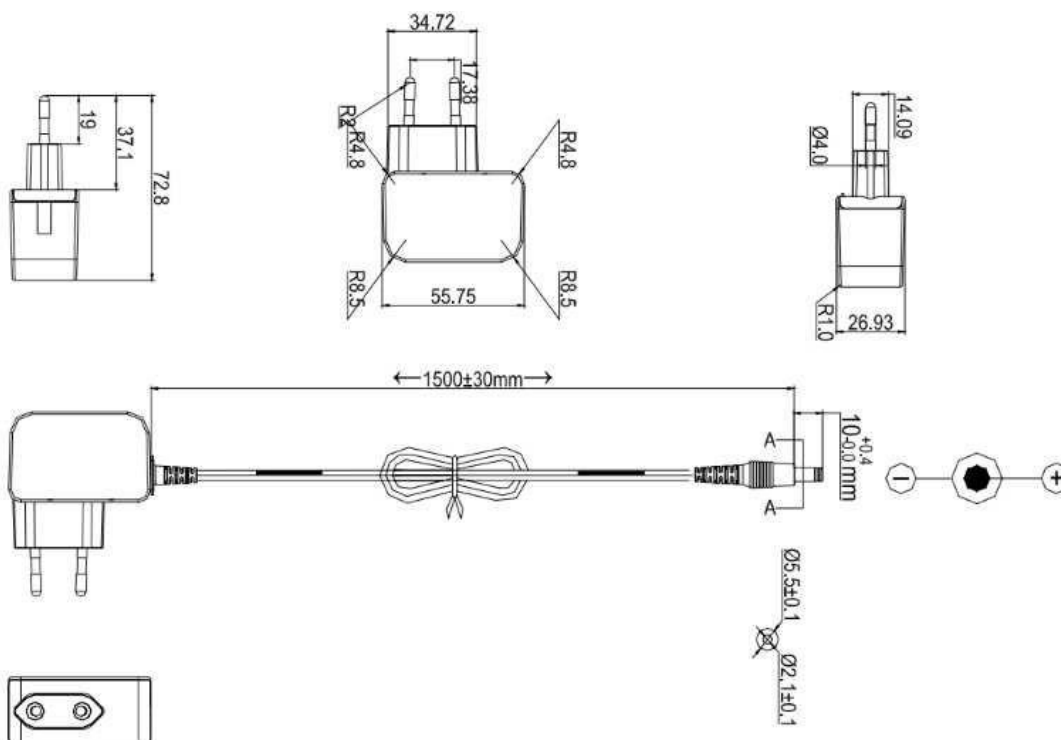
Opomba

Druge različice (napetosti / priključki / barve) z minimalno količino naročila na zahtevo

Tehnični opis z podatki

| | |
|-----------------------------|--|
| L × Š × V | 56 × 30 × 73 mm |
| Teža | 93 g |
| Priključek za enosmerni tok | 2,1 x 5,5 x 10 mm, znotraj pozitiven, zunaj negativen |
| Kabel za enosmerni tok | L=1500mm, UL2468 20AWG (9-24 V) L=1000mm, UL2468 20AWG (samo 5 V) |

Postavitev in risanje pinov



Učinkovitost (EU) 2019/1782

| Model | Vhodna napetost/frekvenca | Izhodna napetost (V) | Izhodni tok (A) | Napajanje za nalepko | Povprečna učinkovitost | Učinkovitost pri 10-odstotni obremenitvi | Poraba energije brez obremenitve (Watt) |
|----------------------|---------------------------|----------------------|-----------------|----------------------|------------------------|--|---|
| HNP06-USBL6 | 230Vac / 50Hz | 5,0 | 1,50 | 7.5W | 77,46% | 78,85% | 0.07W |
| HNP06-050L6 | 230Vac / 50Hz | 5,0 | 1,50 | 7.5W | 77,46% | 78,85% | 0.07W |
| HNP06-051-MiniUSBL6 | 230Vac / 50Hz | 5,1 | 1,47 | 7.5W | 78,55% | 74,27% | 0.10W |
| HNP06-051-MicroUSBL6 | 230Vac / 50Hz | 5,1 | 1,47 | 7.5W | 78,01% | 73,98% | 0.10W |
| HNP06-060L6 | 230Vac / 50Hz | 6,0 | 1,25 | 7.5W | 78,13% | 78,13% | 0.05W |
| HNP06-090L6 | 230Vac / 50Hz | 9,0 | 0,83 | 7.5W | 81,45% | 77,22% | 0.06W |
| HNP06-120L6 | 230Vac / 50Hz | 12,0 | 0,62 | 7.5W | 80,71% | 77,66% | 0.09W |
| HNP06-MICROUSBL6 | 230Vac / 50Hz | 5,0 | 1,50 | 7.5W | 77,46% | 78,85% | 0.07W |
| HNP06-MINIUSBL6 | 230Vac / 50Hz | 5,0 | 1,50 | 7.5W | 77,46% | 78,85% | 0.07W |
| HNP06-USBL6 | 230Vac / 50Hz | 5,0 | 1,50 | 7.5W | 77,13% | 78,15% | 0.08W |
| HNP06-050L6 | 230Vac / 50Hz | 5,0 | 1,50 | 7.5W | 77,13% | 78,15% | 0.08W |
| HNP06-051-MiniUSBL6 | 230Vac / 50Hz | 5,0 | 1,50 | 7.5W | 78,31% | 74,49% | 0.10W |
| HNP06-051-MicroUSBL6 | 230Vac / 50Hz | 5,1 | 1,47 | 7.5W | 77,76% | 73,76% | 0.10W |
| HNP06-090L6 | 230Vac / 50Hz | 9,0 | 0,83 | 7.5W | 80,18% | 76,48% | 0.07W |
| HNP06-120L6 | 230Vac / 50Hz | 12,0 | 0,62 | 7.5W | 81,70% | 76,52% | 0.06W |
| HNP06-MicroUSBL6 | 230Vac / 50Hz | 5,0 | 1,50 | 7.5W | 77,13% | 78,15% | 0.08W |
| HNP06-MiniUSBL6 | 230Vac / 50Hz | 5,0 | 1,50 | 7.5W | 77,13% | 78,15% | 0.08W |
| HNP07-050V2 | 230Vac / 50Hz | 5,0 | 1,50 | 7.5W | 77,21% | 72,50% | 0.06W |
| HNP07-090V2 | 230Vac / 50Hz | 9,0 | 0,84 | 7.5W | 80,58% | 74,04% | 0.06W |
| HNP07-120V2 | 230Vac / 50Hz | 12,0 | 1,00 | 7.5W | 81,05% | 70,94% | 0.06W |
| HNP07-USBV2 | 230Vac / 50Hz | 5,0 | 1,50 | 7.5W | 77,15% | 72,51% | 0.06W |
| HNP12-USBL6 | 230Vac / 50Hz | 5,0 | 2,40 | 12.0W | 80,64% | 78,92% | 0.06W |
| HNP12-050L6 | 230Vac / 50Hz | 5,0 | 2,40 | 12.0W | 80,64% | 78,92% | 0.06W |
| HNP12-075L6-DC90-WHI | 230Vac / 50Hz | 7,5 | 1,35 | 10.1W | 82,29% | 76,13% | 0.08W |
| HNP12-075L6-A | 230Vac / 50Hz | 7,5 | 1,35 | 10.1W | 82,29% | 76,13% | 0.08W |
| HNP12-090L6 | 230Vac / 50Hz | 9,0 | 1,30 | 11.7W | 83,19% | 80,69% | 0.07W |
| HNP12-120L6 | 230Vac / 50Hz | 12,0 | 1,00 | 12.0W | 85,56% | 82,15% | 0.07W |
| HNP12-150L6 | 230Vac / 50Hz | 15,0 | 0,80 | 12.0W | 83,12% | 71,42% | 0.09W |
| HNP12-240L6 | 230Vac / 50Hz | 24,0 | 0,50 | 12.0W | 86,71% | 77,66% | 0.07W |
| HNP12-MicroUSBL6 | 230Vac / 50Hz | 5,0 | 2,40 | 12.0W | 80,64% | 78,92% | 0.06W |
| HNP12-USBL6 | 230Vac / 50Hz | 5,0 | 2,40 | 12.0W | 80,41% | 78,96% | 0.06W |
| HNP12-050L6 | 230Vac / 50Hz | 5,0 | 2,40 | 12.0W | 80,64% | 78,92% | 0.06W |
| HNP12-090L6 | 230Vac / 50Hz | 9,0 | 1,30 | 11.7W | 83,44% | 81,01% | 0.07W |
| HNP12-120L6 | 230Vac / 50Hz | 12,0 | 1,00 | 12.0W | 85,72% | 82,15% | 0.05W |
| HNP12-150L6 | 230Vac / 50Hz | 15,0 | 0,80 | 12.0W | 83,12% | 71,42% | 0.09W |
| HNP12-240L6 | 230Vac / 50Hz | 24,0 | 0,50 | 12.0W | 86,71% | 77,15% | 0.07W |
| HNP12-MicroUSBL6 | 230Vac / 50Hz | 5,0 | 2,40 | 12.0W | 80,40% | 79,00% | 0.06W |
| HNP12-050V2 | 230Vac / 50Hz | 5,0 | 2,40 | 12.0W | 82,12% | 75,04% | 0.06W |
| HNP12-090V2 | 230Vac / 50Hz | 9,0 | 1,33 | 12.0W | 83,58% | 74,58% | 0.06W |
| HNP12-120V2 | 230Vac / 50Hz | 12,0 | 1,00 | 12.0W | 84,02% | 74,66% | 0.06W |
| HNP12-USBV2 | 230Vac / 50Hz | 5,0 | 2,40 | 12.0W | 83,54% | 76,44% | 0.06W |
| HNP18-USBV2 | 230Vac / 50Hz | 5,0 | 3,00 | 18.0W | 82,17% | 78,62% | 0.06W |
| HNP18-CV2 | 230Vac / 50Hz | 5,0 | 3,00 | 18.0W | 82,01% | 78,58% | 0.06W |
| HNP18-050V2 | 230Vac / 50Hz | 5,0 | 3,00 | 18.0W | 82,34% | 78,75% | 0.06W |
| HNP18-090V2 | 230Vac / 50Hz | 9,0 | 2,00 | 18.0W | 85,51% | 82,24% | 0.06W |
| HNP18-120V2 | 230Vac / 50Hz | 12,0 | 1,50 | 18.0W | 85,67% | 82,62% | 0.06W |
| HNP18-150V2 | 230Vac / 50Hz | 15,0 | 1,20 | 18.0W | 85,63% | 82,74% | 0.06W |
| HNP18-240V2 | 230Vac / 50Hz | 24,0 | 0,75 | 18.0W | 85,92% | 83,07% | 0.07W |
| HNP18-USBV2 | 230Vac / 50Hz | 5,0 | 3,00 | 18.0W | 82,26% | 78,81% | 0.06W |
| HNP18-CV2 | 230Vac / 50Hz | 5,0 | 3,00 | 18.0W | 82,15% | 78,69% | 0.06W |
| HNP18-050V2 | 230Vac / 50Hz | 5,0 | 3,00 | 18.0W | 82,30% | 78,83% | 0.06W |
| HNP18-090V2 | 230Vac / 50Hz | 9,0 | 2,00 | 18.0W | 85,43% | 82,15% | 0.06W |
| HNP18-120V2 | 230Vac / 50Hz | 12,0 | 1,50 | 18.0W | 85,77% | 82,59% | 0.06W |
| HNP18-150V2 | 230Vac / 50Hz | 15,0 | 1,20 | 18.0W | 85,74% | 82,95% | 0.06W |
| HNP18-240V2 | 230Vac / 50Hz | 24,0 | 0,75 | 18.0W | 86,08% | 83,17% | 0.07W |
| HNP24-090L6 | 230Vac / 50Hz | 9,0 | 2,50 | 22.5W | 86,14% | 84,15% | 0.05W |
| HNP24-120L6 | 230Vac / 50Hz | 12,0 | 2,00 | 24.0W | 86,12% | 83,58% | 0.05W |
| HNP24-150L6 | 230Vac / 50Hz | 15,0 | 1,60 | 24.0W | 86,74% | 82,89% | 0.09W |
| HNP24-240L6 | 230Vac / 50Hz | 24,0 | 1,00 | 24.0W | 87,64% | 84,06% | 0.07W |
| HNP24-090L6 | 230Vac / 50Hz | 9,0 | 2,50 | 22.5W | 86,14% | 84,15% | 0.05W |
| HNP24-120L6 | 230Vac / 50Hz | 12,0 | 2,00 | 24.0W | 86,12% | 83,58% | 0.05W |
| HNP24-150L6 | 230Vac / 50Hz | 15,0 | 1,60 | 24.0W | 85,98% | 83,11% | 0.10W |
| HNP24-240L6 | 230Vac / 50Hz | 24,0 | 1,00 | 24.0W | 87,64% | 84,06% | 0.07W |
| HNP36-4USB | 230Vac / 50Hz | 5,0 | 7,20 | 36.0W | 86,70% | 85,30% | 0.07W |
| HNP40-5USB | 230Vac / 50Hz | 5,0 | 8,00 | 40.0W | 84,68% | 82,61% | 0.07W |
| HNP42EU-050 | 230Vac / 50Hz | 5,0 | 5,00 | 25.0W | 84,28% | 80,90% | 0.10W |
| HNP42EU-090 | 230Vac / 50Hz | 9,0 | 3,00 | 27.0W | 85,90% | 81,26% | 0.10W |
| HNP42EU-120 | 230Vac / 50Hz | 12,0 | 3,50 | 42.0W | 88,05% | 84,41% | 0.10W |
| HNP42EU-150 | 230Vac / 50Hz | 15,0 | 2,80 | 42.0W | 88,47% | 84,21% | 0.10W |
| HNP42EU-240 | 230Vac / 50Hz | 24,0 | 1,75 | 42.0W | 89,20% | 84,15% | 0.10W |
| HNP42I-050 | 230Vac / 50Hz | 5,0 | 5,00 | 25.0W | 84,28% | 80,90% | 0.10W |
| HNP42I-090 | 230Vac / 50Hz | 9,0 | 3,00 | 27.0W | 87,02% | 84,03% | 0.08W |
| HNP42I-120 | 230Vac / 50Hz | 12,0 | 3,50 | 42.0W | 87,99% | 85,11% | 0.07W |
| HNP42I-150 | 230Vac / 50Hz | 15,0 | 2,80 | 42.0W | 88,84% | 86,01% | 0.08W |
| HNP42I-240 | 230Vac / 50Hz | 24,0 | 1,75 | 42.0W | 89,65% | 86,53% | 0.08W |
| HNP65F-120 | 230Vac / 50Hz | 12,0 | 5,00 | 60W | 88,15% | 86,23% | 0.09W |
| HNP65F-150 | 230Vac / 50Hz | 15,0 | 4,30 | 60W | 90,10% | 85,33% | 0.02W |
| HNP65F-240 | 230Vac / 50Hz | 24,0 | 2,70 | 60W | 90,78% | 87,56% | 0.01W |
| HNP65-120L6 | 230Vac / 50Hz | 12,0 | 5,00 | 60.0W | 89,00% | 83,00% | 0.16W |
| HNP65-150L6 | 230Vac / 50Hz | 15,0 | 4,30 | 64.5W | 89,50% | 83,00% | 0.16W |
| HNP65-240L6 | 230Vac / 50Hz | 24,0 | 2,72 | 65.2W | 90,00% | 83,00% | 0.16W |
| HNP-LED24EU-120L6 | 230Vac / 50Hz | 12,0 | 2,00 | 24W | 86,72% | 83,12% | 0.08W |
| HNP-LED24EU-240L6 | 230Vac / 50Hz | 24,0 | 1,00 | 24W | 87,28% | 85,02% | 0.08W |