

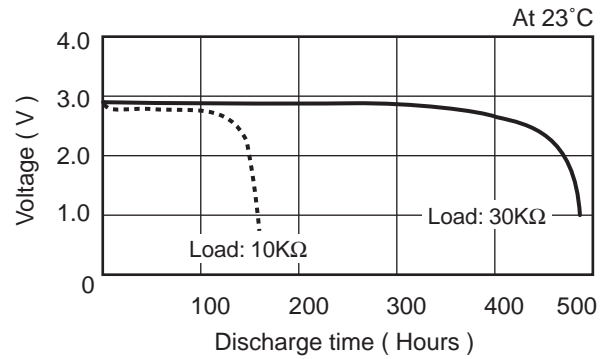
GP Batteries

Data Sheet

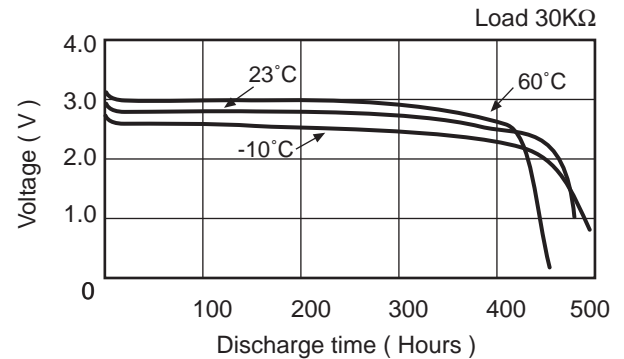
Model No.: CR1220

Description : Flat Lithium Battery
 Chemical system : Lithium Manganese Dioxide
 Nominal voltage : 3 Volts
 Nominal capacity : 36mAh
 Dimensions : $\phi 12.5 \times 2.0$ mm
 Shelf life : 5 years at room temperature
 Average weight : 0.8 grams
 Applications : watch, calculator, camera and memory back up.

Discharge Characteristics on load

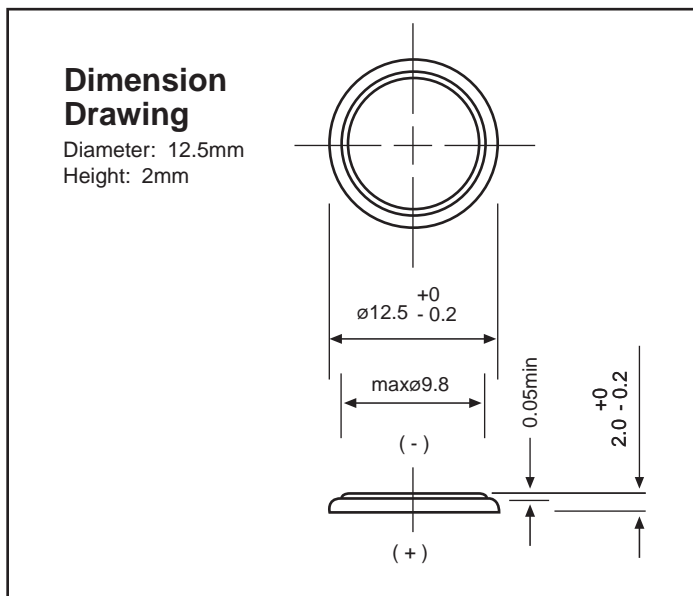
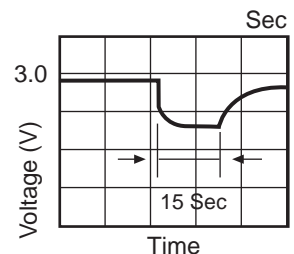
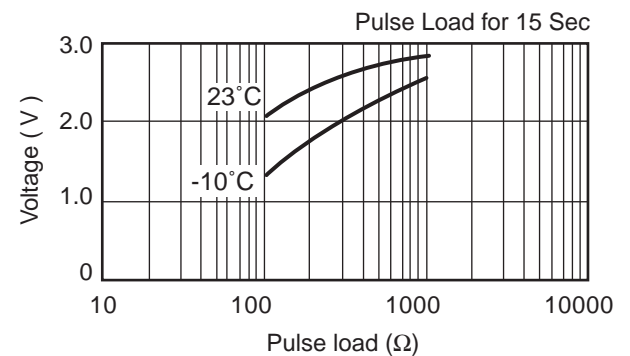


Discharge characteristics on temperature

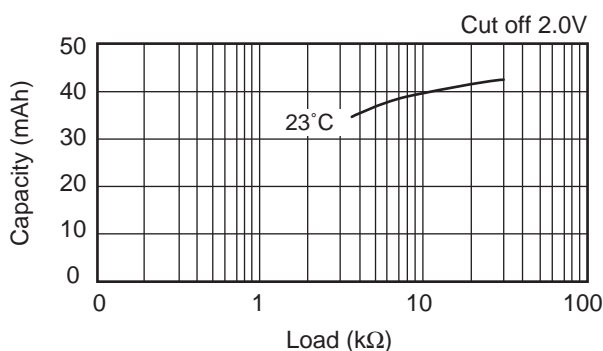


Discharge characteristics on pulse load

(Discharge depth 40%)
 Excellent low-impedance characteristics



Discharge load vs Discharge capacity



Cross Reference:

| IEC | JIS | Eveready | Varta |
|--------|--------|----------|--------|
| CR1220 | CR1220 | ECR1220 | CR1220 |