



Paulmann

Safety Instructions

1, 2, 3, 4, 5, 6, 7, 10, 12, 16, 17, 19, 20, 24, 25, 28, 33, 34



Info

www.paulmann.com

Paulmann Licht GmbH
Quezinger Feld 2
31832 Springe
Germany

www.paulmann.com

Art.-Nr.: 944.09



31.08.2021

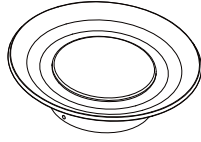
01.09.2021



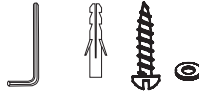
A++ - A

D

(+MA 326) PYD 09/20



1x

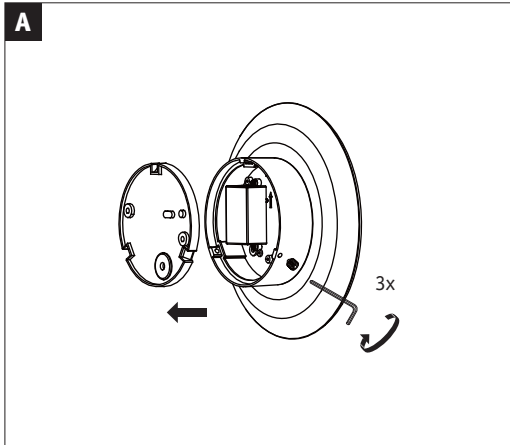
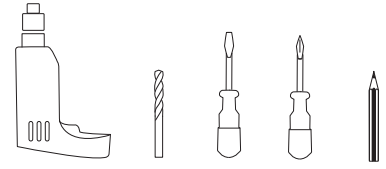


1x

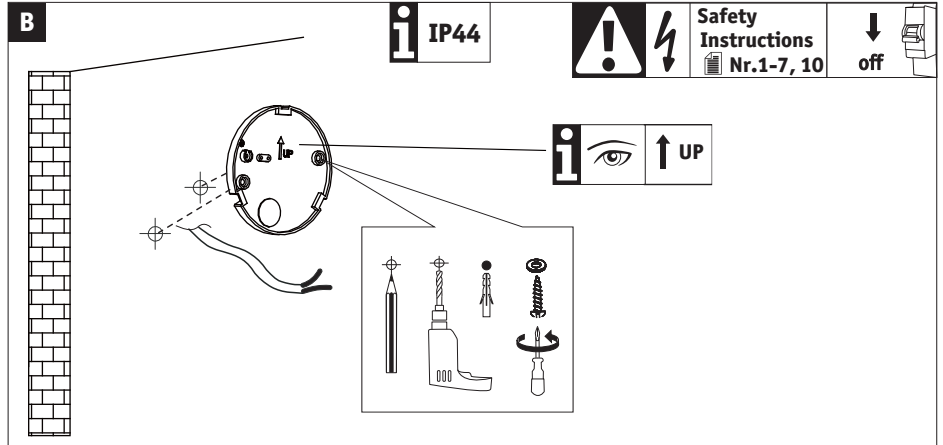
2x

2x

2x



A



B

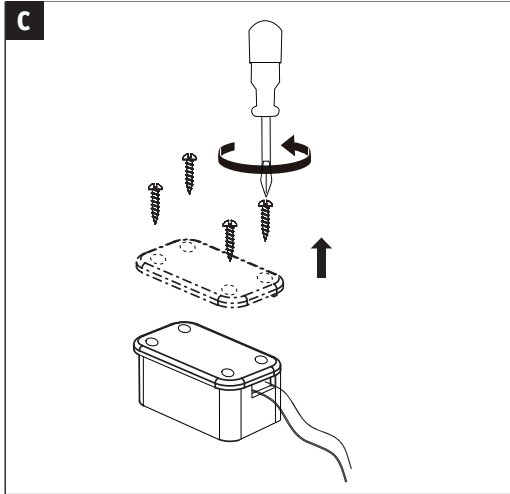


Safety Instructions
Nr. 1-7, 10

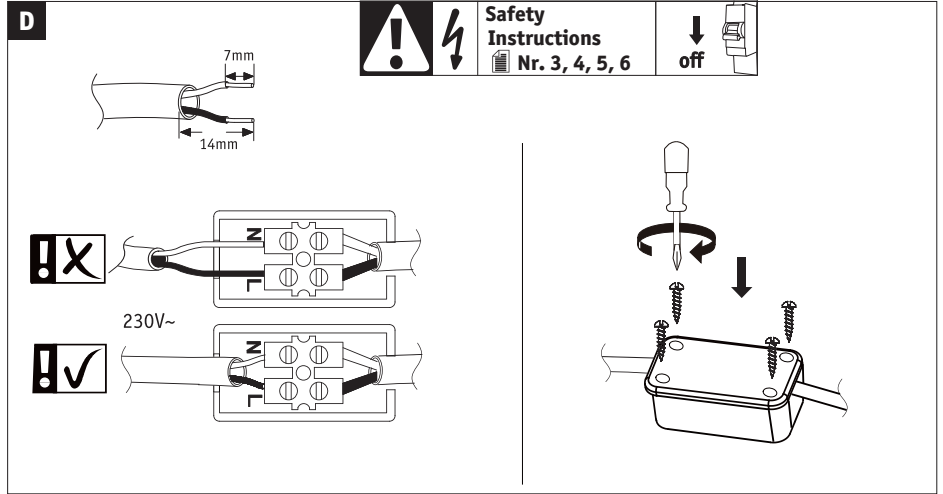
off



UP



C

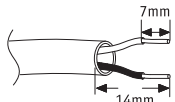


D

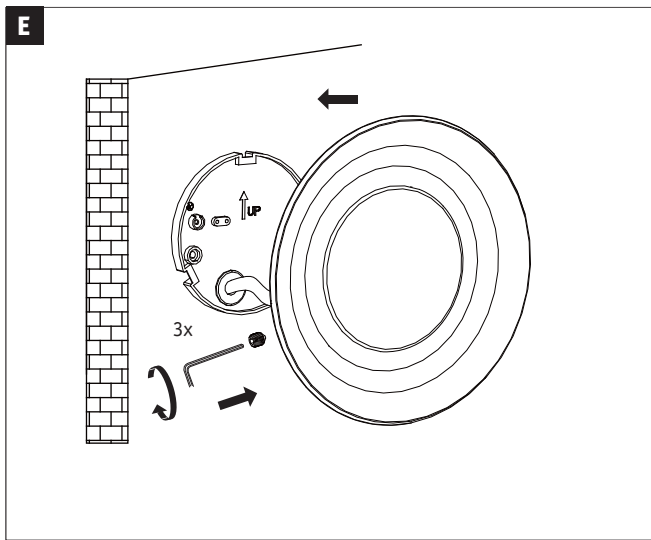
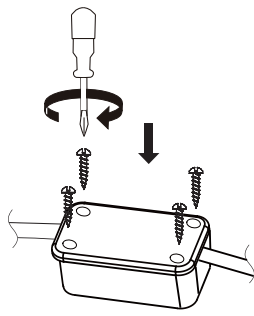


Safety Instructions
Nr. 3, 4, 5, 6

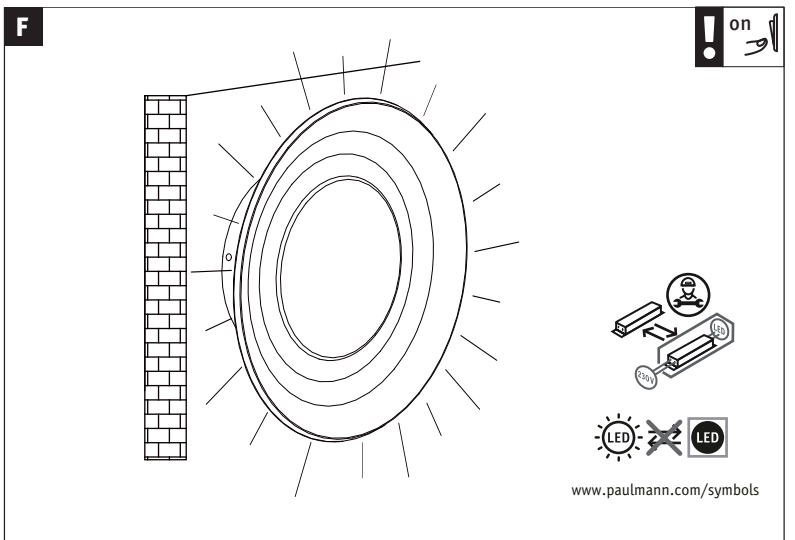
off



230V~

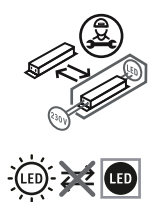


E



F

on



www.paulmann.com/symbols