



Paulmann

Safety Instructions

1, 2, 3, 4, 5, 6, 7, 10, 12, 14, 15, 16, 17, 19, 20, 24, 28, 33, 34



Info

www.paulmann.com

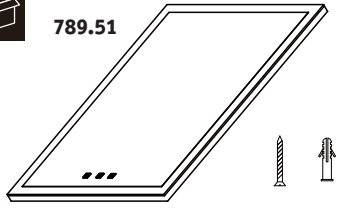
Paulmann Licht GmbH
Quezinger Feld 2
31832 Springe
Germany

www.paulmann.com

Art.-Nr.: **789.51**
930.13



789.51



1x

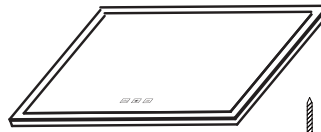


2x



2x

930.13



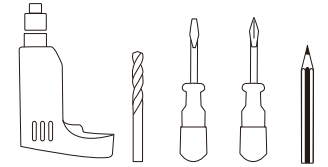
1x



2x



2x



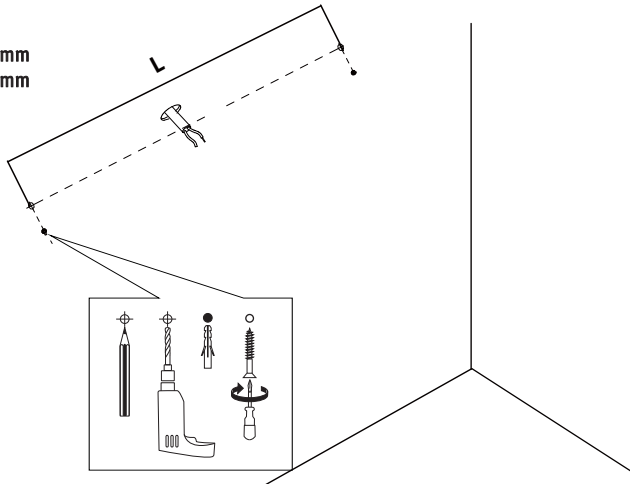
(+MA 326) PPP 05/20



A



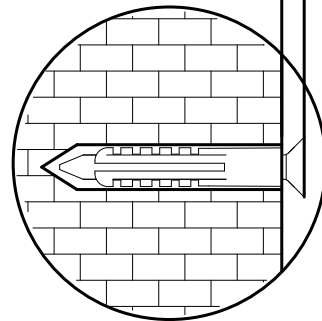
789.51: L = 300mm
930.13: L = 500mm



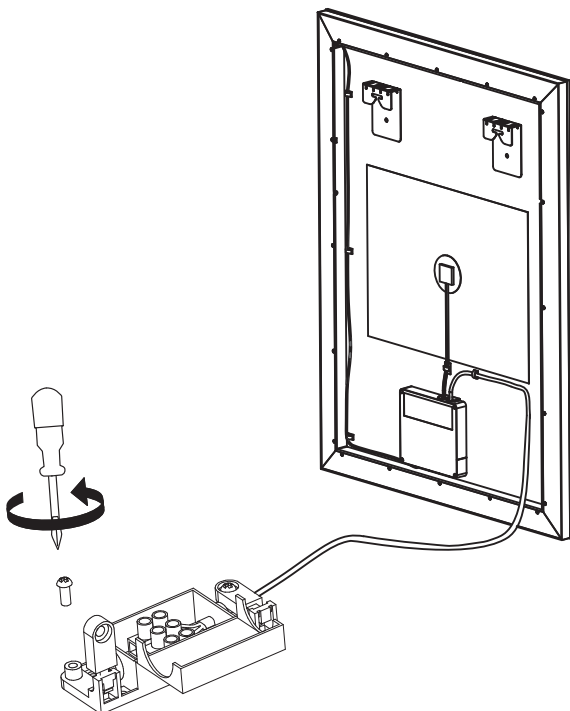
Safety
Instructions
Nr. 1-7,10



3mm



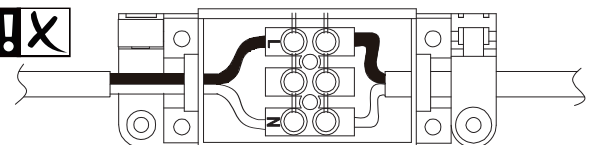
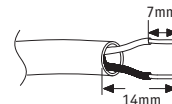
B



C



Safety
Instructions
Nr. 3, 4, 5, 6



230V~

