



Paulmann

Safety Instructions

1, 2, 3, 4, 5, 6, 7, 10, 12, 14, 16, 17, 18, 19, 20, 24, 28, 33, 34



Info

www.paulmann.com

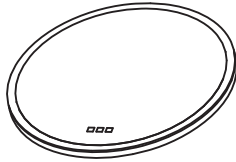
Paulmann Licht GmbH
Quezinger Feld 2
31832 Springe
Germany

www.paulmann.com

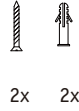
Art.-Nr.: 789.52



(+MA 326) PPP 05/20

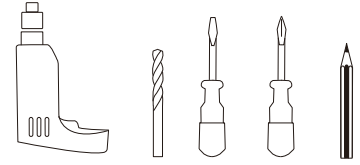


1x



2x

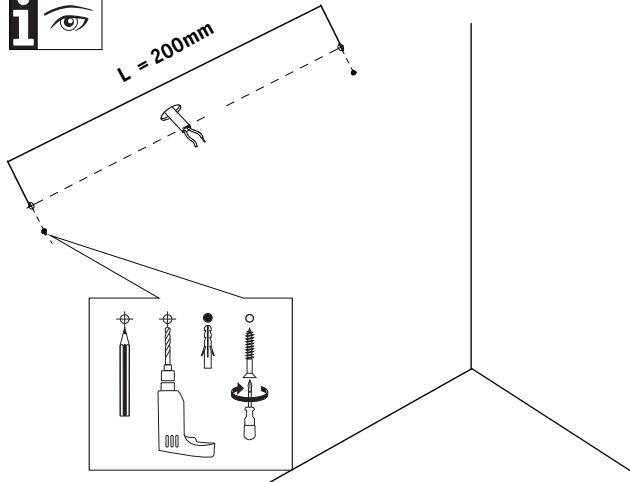
2x



A



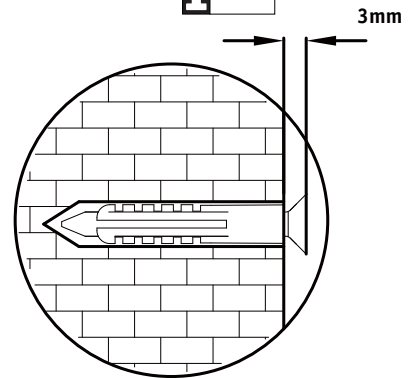
L = 200mm



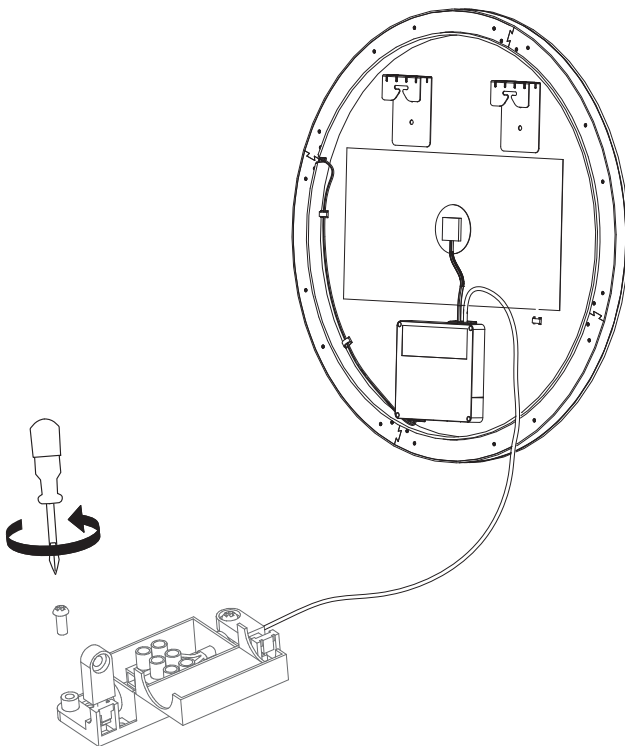
Safety Instructions
Nr. 1-7,10



off



B



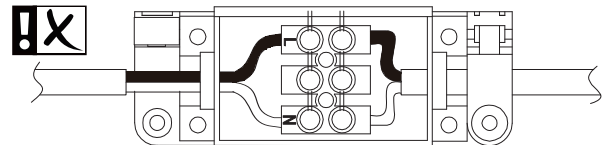
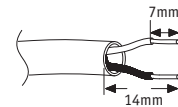
C



Safety Instructions
Nr. 3, 4, 5, 6



off



230V~

