

Safety Instructions

1,2,3,4,5,6,7,10,12,19,20,21,
22,24,28,33,34



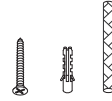
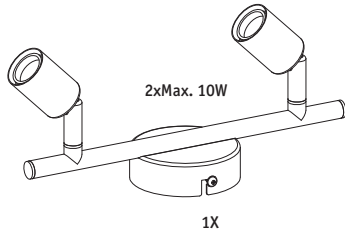
Info

www.paulmann.com

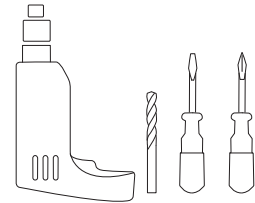
Paulmann Licht GmbH
Quezinger Feld 2
31832 Springe
Germany

www.paulmann.com

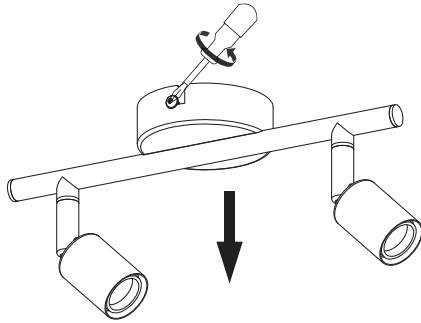
Art.-Nr.: 667.48
667.51
(+MA 326) PLD 05/20



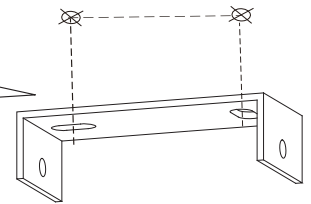
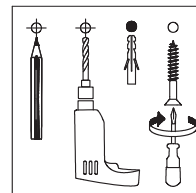
Incl.



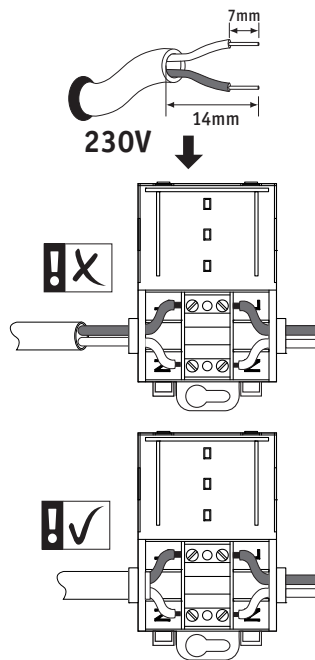
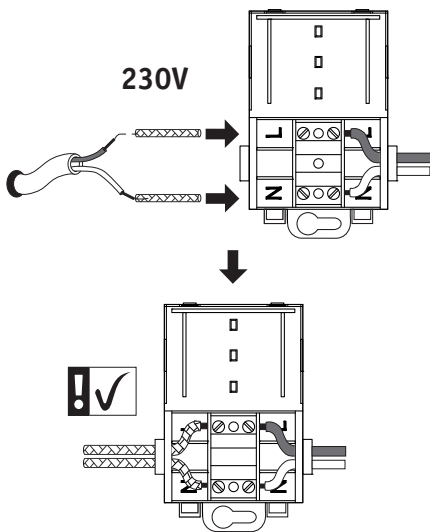
A



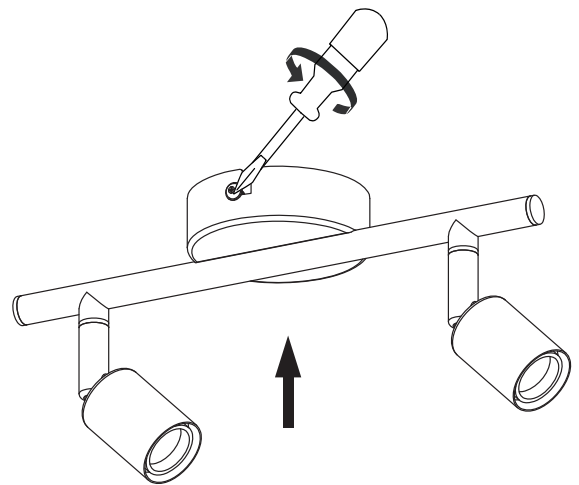
B



C



D



E

