

# NICE PRICE

**TIP GmbH**  
 Klüterfeld 23  
 30826 Garbsen/Germany

WWW.nicetip.eu

## Safety Instructions



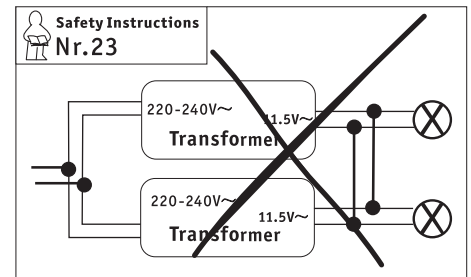
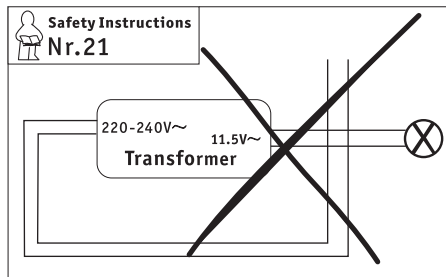
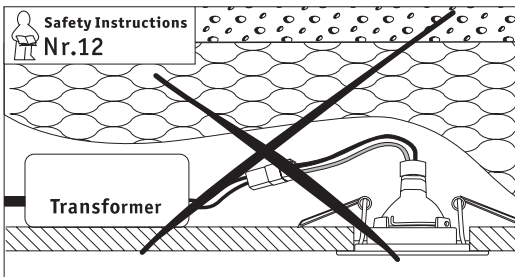
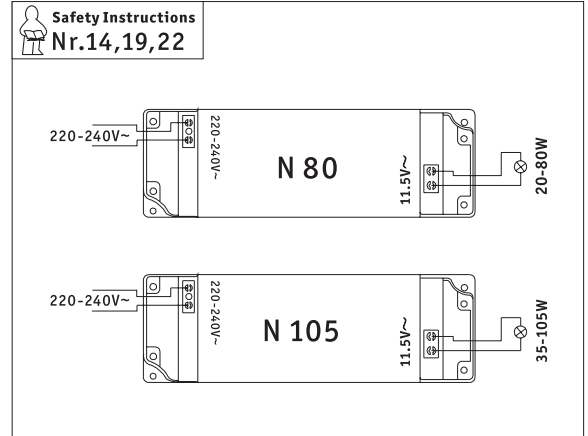
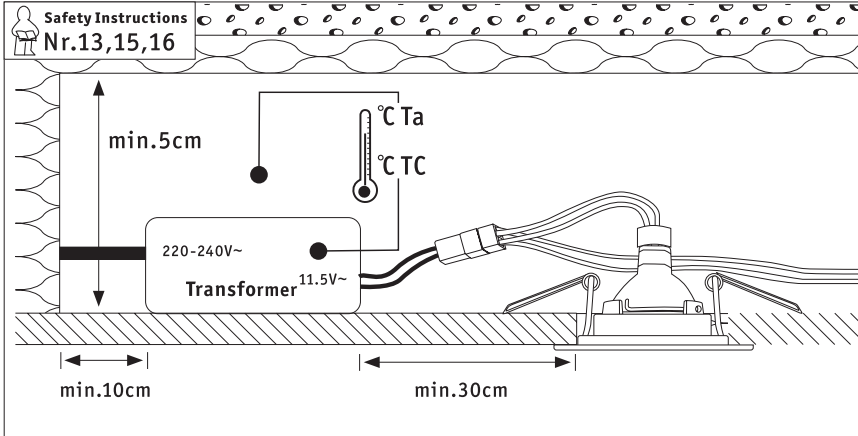
1, 2, 3, 4, 5, 6, 7,  
 9, 11, 12, 13, 14, 15,  
 16, 17, 18, 19, 21, 22,  
 23, 25, 28b, 30, 31, 34,

Art.-Nr.:  
**3650**  
**3651**

(+MA 9197)



PDG 08/14



Transformer 80/105VA			
<input type="checkbox"/>	Safety Instructions Nr.28a/b	$T_a: -20...+50^{\circ}\text{C}$	<input type="checkbox"/>
<input checked="" type="checkbox"/>	Safety Instructions Nr.28b	80VA TC: +80°C 105VA TC: +85°C	<input type="checkbox"/>
<input checked="" type="checkbox"/> H03VVH2-F 2x0.75mm <sup>2</sup>	<input checked="" type="checkbox"/> H03VVH2-F 2x0.75mm <sup>2</sup>		
	<input checked="" type="checkbox"/> H05VVH2-F 2x1.0mm <sup>2</sup>		

220-240V~  
 220-240V~  
 N 80  
 N 105  
 11.5V~  
 11.5V~  
 min.30cm min.20cm max.2m  
 min.30cm min.20cm max.2m

