

# NICE PRICE

**TIP GmbH**  
 Klüterfeld 23  
 30826 Garbsen/Germany

WWW.nicetip.eu

## Safety Instructions



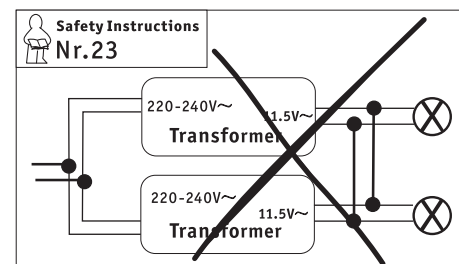
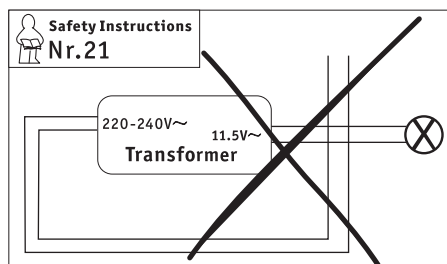
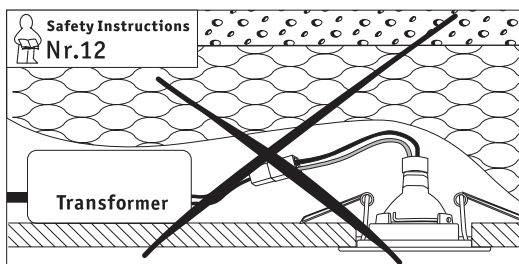
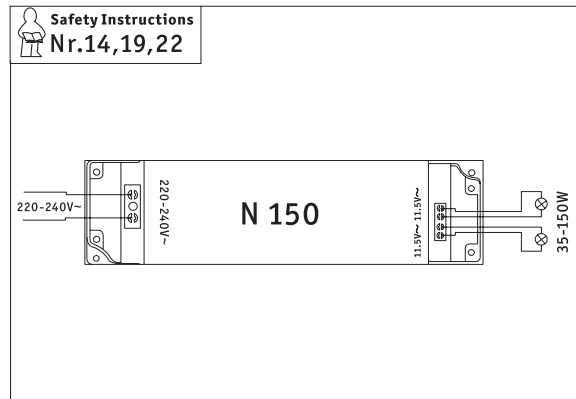
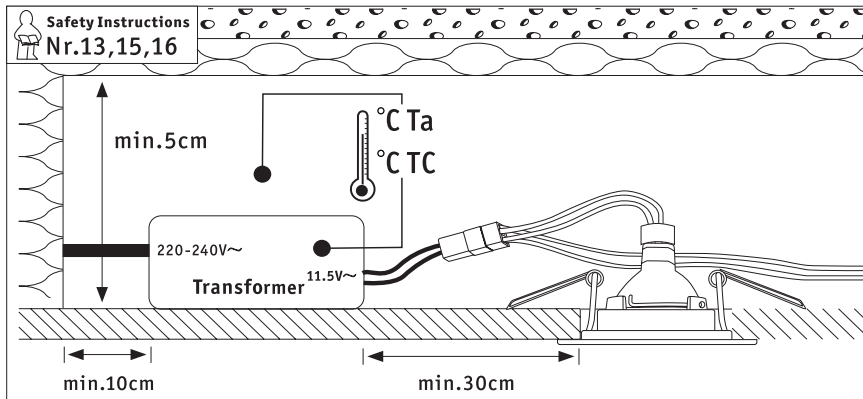
1, 2, 3, 4, 5, 6, 7,  
 9, 11, 12, 13, 14, 15,  
 16, 17, 18, 19, 21, 22,  
 23, 25, 28b, 30, 31, 34,

Art.-Nr.:  
**3999**



(+MA 9197)

PDG 08/14



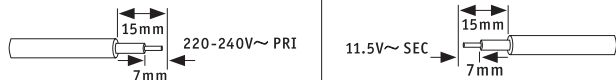
### Transformer 150VA

R,L,C Safety Instructions Nr.28a/b

R,C Safety Instructions Nr.28b

Ta: -20...+50°C

TC: +85°C



H03VVH2-F 2x0.75mm<sup>2</sup>

H05VVH2-F 2x1.5mm<sup>2</sup>

H05VVH2-F 4x1.0mm<sup>2</sup>

