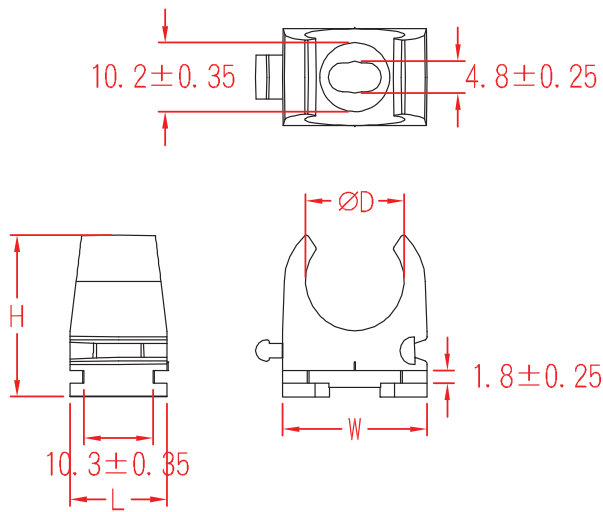


PPC TYPE



ITEM NO.	ØD	W	L	H
2464843	14.7±0.35	21.8±0.5	14.6±0.35	24.4±0.35
2464842	19.4±0.35	26.6±0.5	14.6±0.35	28.9±0.5
2464844	24.4±0.5	33.5±0.5	14.6±0.35	32.8±0.5

		MATERIAL	ITEM NO.
		PE	PPC TYPE
SCALE		FINISH	NAME
			PIPE CLIP
△	(. .)	TOLERANCE AS FIGURE	△ 11-29-2010 DATE REVISIONS K001
			R.NO.