



Manual

EN

Handleiding

NL

Manuel

FR

Anleitung

DE

Manual

ES

Användarhandbok

SE

Manuale

IT

Appendix

SmartSolar charge controllers with CAN-bus

MPPT 150/70-Tr VE.Can

MPPT 150/100-Tr VE.Can

1. General Description

Bluetooth Smart built-in: dongle not needed

The wireless solution to set-up, monitor and update the controller using Apple and Android smartphones, tablets or other devices.

VE.Direct port and two VE.Can ports

Both ports can be used for a wired data connection to a Color Control, Venus GX, PC or other devices.

Remote on-off input

On/off control by a VE.Bus BMS when charging Li-ion batteries.

Programmable relay

Can be programmed (a.o. with a smartphone) to trip on an alarm, or other events.

Optional: pluggable LCD display

Simply remove the rubber seal that protects the plug on the front of the controller and plug-in the display.

Ultra-fast Maximum Power Point Tracking (MPPT)

Especially in case of a clouded sky, when light intensity is changing continuously, an ultra fast MPPT controller will improve energy harvest by up to 30% compared to PWM charge controllers and by up to 10% compared to slower MPPT controllers.

Advanced Maximum Power Point Detection in case of partial shading conditions

If partial shading occurs, two or more maximum power points may be present on the power-voltage curve.

Conventional MPPTs tend to lock to a local MPP, which may not be the optimum MPP.

The innovative SmartSolar algorithm will always maximize energy harvest by locking to the optimum MPP.

Outstanding conversion efficiency

No cooling fan. Maximum efficiency exceeds 98%. Full output current up to 40°C (104°F).

Extensive electronic protection

Over-temperature protection and power derating when temperature is high. PV reverse polarity protection.

Internal temperature sensor

Compensates absorption and float charge voltages for temperature. (range 6°C to 40°C)

Optional external voltage and temperature sensor

(range -20°C to 50°C)

The Smart Battery Sense is a wireless battery voltage-and-temperature sensor for Victron MPPT Solar Chargers. The Solar Charger uses these measurements to optimize its charge parameters. The accuracy of the data it transmits will improve battery charging efficiency, and prolong battery life. Alternatively, Bluetooth communication can be set up between a BMV-712 battery monitor with battery temperature sensor and the solar charge controller.

For more detail please enter *smart networking* in the search box on our website.

Automatic battery voltage recognition

The controllers will automatically adjust to a 12V, 24V or a 48V system **one time only**. If a different system voltage is required at a later stage, it must be changed manually, for example with the Bluetooth app or the optional LCD display. Similarly, manual setting is required in case of 36V system.

Flexible charge algorithm

Fully programmable charge algorithm, and eight preprogrammed algorithms, selectable with a rotary switch.

Adaptive three step charging

The SmartSolar MPPT Charge Controller is configured for a three step charging process: Bulk – Absorption – Float.

A regular equalization charge can also be programmed: see section 3.12 of this manual.

Bulk

During this stage the controller delivers as much charge current as possible to rapidly recharge the batteries.

Absorption

When the battery voltage reaches the absorption voltage setting, the controller switches to constant voltage mode.

When only shallow discharges occur the absorption time is kept short in order to prevent overcharging of the battery. After a deep discharge the absorption time is automatically increased to make sure that the battery is completely recharged. Additionally, the absorption period is also ended when the charge current decreases to less than 2A.

Float

During this stage, float voltage is applied to the battery to maintain it in a fully charged state.

Equalization

See section 3.12



Configuring and monitoring

Configure the solar charge controller with the VictronConnect app. Available for iOS & Android devices; as well as macOS and Windows computers. An accessory might be required; enter *victronconnect* in the search box on our website and see the VictronConnect download page for details.

For simple monitoring, use the MPPT Control; a panel mounted simple yet effective display that shows all operational parameters. Full system monitoring including logging to our online portal, VRM, is done using the GX Product range



MPPT Control



Color Control



Venus GX

2. Safety instructions

SAVE THESE INSTRUCTIONS - This manual contains important instructions that shall be followed during installation and maintenance.



WARNING

Danger of explosion from sparking

Danger of electric shock

- Please read this manual carefully before the product is installed and put into use.
- This product is designed and tested in accordance with international standards. The equipment should be used for the designated application only.
- Install the product in a heatproof environment. Ensure therefore that there are no chemicals, plastic parts, curtains or other textiles, etc. in the immediate vicinity of the equipment.
- Without a wire box the product is not allowed to be mounted in a user accessible area.
- Ensure that the equipment is used under the correct operating conditions. Never operate it in a wet environment.
- Never use the product at sites where gas or dust explosions could occur.
- Ensure that there is always sufficient free space around the product for ventilation.
- Refer to the specifications provided by the manufacturer of the battery to ensure that the battery is suitable for use with this product. The battery manufacturer's safety instructions should always be observed.
- Protect the solar modules from incident light during installation, e.g. cover them.
- Never touch uninsulated cable ends.
- Use only insulated tools.
- Connections must always be made in the sequence described in section 3.4.
- Without a wire box the installer of the product must provide a means for cable strain relief to prevent the transmission of stress to the connections.
- In addition to this manual, the system operation or service manual must include a battery maintenance manual applicable to the type of batteries used.

- Use flexible multistranded copper cable for the battery and PV connections.

The maximum diameter of the individual strands is 0,4mm/0,125mm² (0.016 inch/AWG26).

A 25mm² cable, for example, should have at least 196 strands (class 5 or higher stranding according to VDE 0295, IEC 60228 and BS6360).

An AWG2 gauge cable should have at least 259/26 stranding (259 strands of AWG26).

Maximum operating temperature: $\geq 90^{\circ}\text{C}$.

Example of suitable cable: class 5 "Tri-rated" cable (it has three approvals: American (UL), Canadian (CSA) and British (BS))

In case of thicker strands the contact area will be too small and the resulting high contact resistance will cause severe overheating, eventually resulting in fire.



- Maximum current through a MC4 terminal: 30A
- The grounding terminal is located in the wiring compartment and is identified by the symbol below:



Ground Symbol

3. Installation

**WARNING: DC (PV) INPUT NOT ISOLATED FROM BATTERY CIRCUIT.
CAUTION: FOR PROPER TEMPERATURE COMPENSATION
THE AMBIENT CONDITION FOR CHARGER AND BATTERY MUST BE
WITHIN 5°C.**

3.1 General

- Mount vertically on a non-flammable surface, with the power terminals facing downwards. Observe a minimum clearance of 10 cm under and above the product for optimal cooling.
- Mount close to the battery, but never directly above the battery (in order to prevent damage due to gassing of the battery).
- Improper internal temperature compensation (e.g. ambient condition battery and charger not within 5°C) can lead to reduced battery lifetime.
We recommend using a direct battery voltage sense source (BMV, Smart Battery Sense or GX device shared voltage sense) if larger temperature differences or extreme ambient temperature conditions are expected.
- Battery installation must be done in accordance with the storage battery rules of the Canadian Electrical Code, Part I.
- The battery connections (and for Tr version also PV connections) must be guarded against inadvertent contact (e.g. install in an enclosure or install the optional WireBox).

Tr models: use flexible multistranded copper cable for the battery and PV connections: see safety instructions.

MC4 models: several splitter pairs may be needed to parallel the strings of solar panels. (Maximum current through a MC4 terminal: 30A)

3.2 Grounding

- **Battery grounding:** the charger can be installed in a positive or negative grounded system.
Note: apply a single ground connection (preferably close to the battery) to prevent malfunctioning of the system.
- **Chassis grounding:** A separate earth path for the chassis ground is permitted because it is isolated from the positive and negative terminal.
- The USA National Electrical Code (NEC) requires the use of an external ground fault protection device (GFPD). These MPPT chargers do not have internal ground fault protection. The system electrical negative should be bonded through a GFPD to earth ground at one (and only one) location.
- The charger must not be connected with grounded PV arrays. (one ground connection only)
- The plus and minus of the PV array should not be grounded. Ground the frame of the PV panels to reduce the impact of lightning.

**WARNING: WHEN A GROUND FAULT IS INDICATED, BATTERY
TERMINALS AND CONNECTED CIRCUITS MAY BE UNGROUNDED
AND HAZARDOUS.**



3.3 PV configuration (also see the MPPT Excel sheet on our website)

- The controllers will operate only if the PV voltage exceeds battery voltage (V_{bat}).
- PV voltage must exceed $V_{bat} + 5V$ for the controller to start. Thereafter minimum PV voltage is $V_{bat} + 1V$.
- Maximum open circuit PV voltage: 150V or 250V, depending on model.

For example:

24V battery, mono- or polycrystalline panels, max PV voltage 150V:

- Minimum number of cells in series: 72 (2x 12V panel in series or one 24V panel).
- Recommended number of cells for highest controller efficiency: 144 cells (4x 12V panel or 2x 24V panel in series).
- Maximum: 216 cells (6x 12V or 3x 24V panel in series).

48V battery, mono- or polycrystalline panels, max PV voltage 250V:

- Minimum number of cells in series: 144 (4x 12V panel or 2x 24V panel in series).
- Maximum: 360 cells (10x 12V or 5x 24 panel in series).

Remark: at low temperature the open circuit voltage of a 216 cell solar array may exceed 150V, and the open circuit voltage of a 360 cell array may exceed 250V, depending on local conditions and cell specifications. In that case the number of cells in series must be reduced.

3.4 Cable connection sequence (see figure 1)

First: connect the battery.

Second: if required, connect the remote on-off, and programmable relay

Third: connect the solar array (when connected with reverse polarity, the controller will heat up but will not charge the battery).

Torque: 2.4 Nm

3.5 Remote on-off

Use modes of the system on-off:

- ON when the L and H terminal are interconnected (switch or relay contact)
- ON when the L terminal is pulled to battery minus ($V < 3.5V$)
- ON when the H terminal is high ($2.9V < V_H < V_{bat}$)
- OFF in all other conditions

The recommended use of the remote on-off is:

- A switch wired between the L-H pins
- A switch wired between battery plus and the H-pin.
- A switch between the L-pin and the charge disconnect terminal of a VE.Bus BMS

3.6 CAN bus interface

The charger is equipped with two CAN bus RJ45 sockets.

The CAN bus on this charger is not galvanically isolated. The CAN bus is referenced to the minus battery connection.

The CAN bus interface will be referenced to ground if the minus pole of the battery is grounded. In case of a positive grounded system, a CAN isolation module will be needed to reference the CAN bus interface to ground.

The end of a CAN cable should have a bus terminator. This is achieved by inserting a bus terminator in one of the two RJ45 connectors and the CAN cable in the other. In case of a node (two CAN cables, one in each RJ45 connector), no termination is needed.

Supply voltage (V+ supply): 9V-70V

Maximum supply current: 500mA

Data rate: 250 kbps

CANH/CANL voltage tolerance: +/-70V_{DC}

CAN transceiver ISO specification: ISO 11898-2:2016

To provide maximum flexibility, the battery voltage is used for the V+ supply line of VE.CAN. This means that all equipment connected to VE.CAN are a permanent load to the battery.

3.7 Synchronised parallel operation

Note: Software not yet available, expected in Q3/2019

Several charge controllers can be synchronised with the CAN interface. This is achieved by simply interconnecting the chargers with RJ45 UTP cables (bus terminators needed, see section 3.6).

The paralleled charge controllers must have identical settings (e.g. charge algorithm). The CAN communication ensures that the controllers will switch simultaneously from one charge state to another (from bulk charge to absorption for example). **Each unit will (and should) regulate its own output current**, depending a.o. on the output of each PV array and cable resistance.

In case of synchronized parallel operation, the network icon will blink every 3 seconds on all paralleled units.

The PV inputs should not be connected in parallel. Each charge controller must be connected to its own PV array.

3.8 Energy Storage System (ESS)

An Energy Storage System (ESS) is a specific type of power system that integrates a power grid connection with a Victron Inverter/Charger, Venus-device and battery system. It stores solar energy into your battery during the day, for use later on when the sun stops shining.

Please refer to the following manual how to setup an ESS:
<https://www.victronenergy.com/live/ess:start>

3.9 Configuration of the controller with the rotary switch

Fully programmable charge algorithm (see the software page on our website) and eight preprogrammed charge algorithms, selectable with a rotary switch:

Pos	Suggested battery type	Absorption V	Float V	Equalize V @%I _{nom}	dV/dT mV/°C
0	Gel Victron long life (OPzV) Gel exide A600 (OPzV) Gel MK	28,2	27,6	31,8 @8%	-32
1	Gel Victron deep discharge Gel Exide A200 AGM Victron deep discharge Stationary tubular plate (OPzS)	28,6	27,6	32,2 @8%	-32
2	Default setting Gel Victron deep discharge Gel Exide A200 AGM Victron deep discharge Stationary tubular plate (OPzS)	28,8	27,6	32,4 @8%	-32
3	AGM spiral cell Stationary tubular plate (OPzS) Rolls AGM	29,4	27,6	33,0 @8%	-32
4	PzS tubular plate traction batteries or OPzS batteries	29,8	27,6	33,4 @25%	-32
5	PzS tubular plate traction batteries or OPzS batteries	30,2	27,6	33,8 @25%	-32
6	PzS tubular plate traction batteries or OPzS batteries	30,6	27,6	34,2 @25%	-32
7	Lithium Iron Phosphate (LiFePo ₄) batteries	28,4	27,0	n.a.	0

Note 1: divide all values by two in case of a 12V system and multiply by two in case of a 48V system.

Note 2: equalize normally off, see sect. 3.9 to activate
(do not equalize VRLA Gel and AGM batteries)

Note 3: any setting change performed with the pluggable LCD display or via Bluetooth will override the rotary switch setting. Turning the rotary switch will override prior settings made with the pluggable LCD display or via Bluetooth.

A binary LED code helps determining the position of the rotary switch. After changing the position of the rotary switch, the LEDs will blink during 4 seconds as follows:

Switch position	LED Bulk	LED Abs	LED Float	Blink frequency
0	1	1	1	Fast
1	0	0	1	Slow
2	0	1	0	Slow
3	0	1	1	Slow
4	1	0	0	Slow
5	1	0	1	Slow
6	1	1	0	Slow
7	1	1	1	Slow

Thereafter, normal indication resumes, as described in the LEDs section.

3.10 LEDs

LED indication:

- permanent on
- ⊙ blinking
- off

Regular operation

	LEDs	Bulk	Absorption	Float
Not charging (*1)		⊙	○	○
Bulk		●	○	○
Absorption		○	●	○
Manual equalisation (blink alternating)		⊙	⊙	○
Automatic equalisation		○	●	●
Float		○	○	●

Note (*1): The bulk LED will blink briefly every 3 seconds when the system is powered but there is insufficient power to start charging.

Fault situations

	LEDs	Bulk	Absorption	Float
Charger temperature too high		○	○	⊙
Charger over-current		⊙	○	⊙
Charger or panel over-voltage		○	⊙	⊙
VE.Smart networking or BMS issue		○	⊙	○
Internal error (*2)		⊙	⊙	○

Note (*2): E.g. calibration and/or settings data lost, current sensor issue.

3.11 Battery charging information

The charge controller starts a new charge cycle every morning, when the sun starts shining.

Lead-acid batteries: default method to determine length and end of absorption

The charging algorithm behaviour of MPPTs differs from AC connected battery chargers. Please read this section of the manual carefully to understand MPPT behaviour, and always follow the recommendations of your battery manufacturer.

By default, the absorption time is determined on idle battery voltage at the start of each day based on the following table:

Battery voltage V_b (@start-up)	Multiplier	Maximum absorption time
$V_b < 11,9V$	x 1	6h
$11,9V < V_b < 12,2V$	x 2/3	4h
$12,2V < V_b < 12,6V$	x 1/3	2h
$V_b > 12,6V$	x 1/6	1h

(12V values, adjust for 24V))

The absorption time counter starts once switched from bulk to absorption.

The MPPT Solar Chargers will also end absorption and switch to float when the battery current drops below a low current threshold limit, the 'tail current'. The default tail current value is 2A.

The default settings (voltages, maximum absorption time and tail current) can be modified with the Victronconnect app via Bluetooth or via VE.Direct.

There are two exceptions to normal operation:

1. When used in an ESS system; the solar charger algorithm is disabled; and instead it follows the curve as mandated by the inverter/charger.
2. For CAN-bus Lithium batteries, like BYD, the battery tells the system, including the solar charger, what charge voltage to use. This Charge Voltage Limit (CVL) is for some batteries even dynamic; changes over time; based on for example maximum cell voltage in the pack and other parameters.

When, in case of the above-mentioned exceptions, several solar chargers are connected to a GX device, these chargers will automatically be synchronised.

Variations to expected behaviour

1. Pausing of the absorption time counter
 The absorption time counter starts when the configured absorption voltage is reached and pauses when the output voltage is below the configured absorption voltage.
 An example of when this voltage drop could occur is when PV power (due to clouds, trees, bridges) is insufficient to charge the battery and to power the loads.
 When the absorption timer is paused, the absorption LED will flash very slowly.

2. Restarting the charge process
 The charging algorithm will reset if charging has stopped (i.e. the absorption time has paused) for an hour. This may occur when the PV voltage drops below the battery voltage due to bad weather, shade or similar.

3. Battery being charged or discharged before solar charging begins
 The automatic absorption time is based on the start-up battery voltage (see table). This absorption time estimation can be incorrect if there is an additional charge source (eg alternator) or load on the batteries.
 This is an inherent issue in the default algorithm. However, in most cases it is still better than a fixed absorption time regardless of other charge sources or battery state.
 It is possible to override the default absorption time algorithm by setting a fixed absorption time when programming the solar charge controller. Be aware this can result in overcharging your batteries. Please see your battery manufacturer for recommended settings.

4. Absorption time determined by tail current
 In some applications it may be preferable to terminate absorption time based on tail current only. This can be achieved by increasing the default absorption time multiplier.
 (warning: the tail current of lead-acid batteries does not decrease to zero when the batteries are fully charged, and this "remaining" tail current can increase substantially when the batteries age)

Default setting, LiFePO4 batteries

LiFePO4 batteries do not need to be fully charged to prevent premature failure.

The default absorption voltage setting is 14,2V (28,4V).

And the default absorption time setting is 2 hours.

Default float setting: 13,2V (26,4V).

These settings are adjustable.

Reset of the charge algorithm:

The default setting for restarting the charge cycle is

$V_{batt} < (V_{float} - 0,4V)$ for lead-acid, and $V_{batt} < (V_{float} - 0,1V)$ for LiFePO4 batteries, during 1 minute.

(values for 12V batteries, multiply by two for 24V)

3.9 Automatic equalization

Automatic equalization is default set to 'OFF'. With the Victron Connect app (see sect 1.12) this setting can be configured with a number between 1 (every day) and 250 (once every 250 days).

When automatic equalization is active, the absorption charge will be followed by a voltage limited constant current period. The current is limited to 8% or 25% of the bulk current (see table in sect. 3.5). The bulk current is the rated charger current unless a lower maximum current setting has been chosen.

When using a setting with 8% current limit, automatic equalization ends when the voltage limit has been reached, or after 1 hour, whichever comes first.

Other settings: automatic equalization ends after 4 hours.

When automatic equalization is not completely finished within one day, it will not resume the next day, the next equalization session will take place as determined by the day interval.

3.13 Pluggable LCD display - Live data

Remove the rubber seal that protects the plug on the front of the controller and plug-in the display module. The display is hot-swappable; this means that the charger may be operational while the display is plugged in.



The following information will be displayed if the "-" button is pressed (in order of appearance):

Displayed info	Icons	Segments	Units
Battery voltage and charge current		28.8	50 A
Battery charge current			50.0 A
Battery voltage			28.80 V
Battery charge power			120.0 W
Battery temperature ⁽¹⁾		25.0, ---, Err	°C/°F
Charger temperature ⁽¹⁾		25.0, ---, Err	°C/°F
Panel current			8.6 A
Panel voltage			85.0 V
Panel power			135.0 W
Warning message ⁽²⁾		1 nF	65
Error message ⁽²⁾		Err	2
REMOTE operation ⁽²⁾		rE:0tE	
BMS operation ⁽²⁾		b:5	

Notes:

- 1) A valid temperature is shown, --- = no sensor information or Err = invalid sensor data.
- 2) These items are only visible when relevant.

Pressing the "-" button or the "+" button for 4 seconds activates the auto-scroll-mode. Now all LCD-screens will pop-up one by one with short intervals. The auto-scroll-mode can be stopped by pressing the "-" or the "+" button shortly.

3.14 Pluggable LCD display - History data

The charge controller tracks several parameters regarding the energy harvest. Enter history data by pressing the SELECT button when in monitor mode, a scrolling text will be visible. Press + or – to browse the various parameters as shown in the table below, press SELECT to stop scrolling and show the corresponding value. Press + or – to browse the various values. For the daily items it is possible to scroll back to 30 days ago (data becomes available over time), a brief popup shows the day number. Press SELECT to leave the historical menu and go back to the monitor mode, alternatively press SETUP to return to the scrolling text.

Scrolling text	Icons ⁽¹⁾	Segments	Units	Displayed info
YI EL d t DLRL		258.0	kWh	Total yield
LASE ErrOr		E0	2	Total error 0 (most recent)
		E1	0	Total error 1 (shown when available)
		E2	0	Total error 2 (shown when available)
		E3	0	Total error 3 (shown when available)
Panel uDLtAGE rAHl rUJ		U 95.0	V	Total panel voltage maximum
bAIttErY uDLtAGE rAHl rUJ		H 28.8	V	Total battery voltage maximum
YI EL d		Y 8.6	Day kWh	Daily yield
bAIttErY uDLtAGE rAHl rUJ		H 28.8	Day V	Daily battery voltage maximum
bAIttErY uDLtAGE rAHl rUJ		L 25.0	Day V	Daily battery voltage minimum
LASE ErrOr		E0	2	Daily error 0 (most recent)
		E1	0	Daily error 1 (shown when available)
		E2	0	Daily error 2 (shown when available)
		E3	0	Daily error 3 (shown when available)
tI rE bULH		tb 60	Day	Daily time spent in bulk or ESS (minutes)
tI rE AbSO-PtI On		tA 30	Day	Daily time spent in absorption (minutes)
tI rE FLDrE		tF 630	Day	Daily time spent in float (minutes)
rAHl rUJ POUr		P 735	Day W	Daily power maximum
bAIttErY CUrrEnt rAHl rUJ		C 50.0	Day A	Daily battery current maximum
Panel uDLtAGE rAHl rUJ		U 95.0	Day V	Daily panel voltage maximum

Note:

When the charger is not active (night time) the bulk, absorption and float icons will be shown as in the table above.

When the charger is active only one icon will be shown: the icon corresponding to the actual charge state.

3.15 Pluggable LCD display - Setup menu

- To enter the SETUP Menu, press and hold the SETUP-button during 3 seconds. The "Menu" icon will light up and a scrolling text is visible.
- Press the "-" or "+" button to scroll through the parameters.
- The table below lists, in order of appearance, all parameters which can be adjusted by pressing the "-" button.
- Press SELECT: the parameter to change will now blink.
- Use the "-" or "+" button to chose the desired value.
- Press SELECT to confirm the change, the value will stop blinking, and the change is made final.
- Press SETUP to return to the parameters menu. With the "-" or "+" button it is now possible to scroll to another parameter that needs change.
- To return to normal mode, press SETUP during 3 seconds.

Scrolling text	Icons	Segments	Units	Function or parameter
D1 POUr On OFF	Menu	On,OFF		On/off switch
D2 rAHl rUJ ChArGE C UrrEnt	Menu	I,0-100.0	A	Maximum charge current
D3 bAIttErY uDLtAGE	Menu	U2-18	V	System voltage
D4 ChArGE AL90-rI tArI	Menu	0,7-15Er	Type	Charge algorithm (1)
D5 AbSO-PtI On uDLtA GE	Menu	16,0-28.8	34.8 V	Absorption voltage (2)
D6 FLDrE uDLtAGE	Menu	16,0-27.5	34.8 V	Float voltage (2)
D8 EQuALIZEr On uDL tAGE	Menu	16,0-32.4	34.8 V	Equalization voltage (2)
D9 AUtO-rAlE C EQuALIZEr On	Menu	Equalize	OFF,Auto	Automatic equalization (3)

Scrolling text	Icons	Segments	Units	Function or parameter
10 $\overline{\text{An}}\text{U}\overline{\text{A}}\text{L}\text{E}\text{Q}\text{U}\text{A}\text{L}\text{I}\text{Z}\text{A}\text{T}\text{I}\text{O}\text{N}$	Menu	StArt,StoP		Manual equalization (4)
11 rELAY fUnctiOn	Menu	rEL. OFF, 1-3-10		Relay function (5)
12 rELAY LOw vOLtAGE	Menu	Lb 16.0-20.0-34.8	V	Low battery voltage alarm set
13 rELAY CLEAR LOw vOLtAGE	Menu	Lbc 16.0-21.0-34.8	V	Low battery voltage alarm clear
14 rELAY HIgh vOLtAGE	Menu	Hb 16.0-33.0-34.8	V	High battery voltage alarm set
15 rELAY CLEAR HIgh vOLtAGE	Menu	Hbc 16.0-32.0-34.8	V	High battery voltage alarm clear
16 rELAY HIgh pANeL vOLtAGE	Menu	U 1.0-150.0	V	High panel voltage alarm set
17 rELAY CLEAR HIgh pANeL vOLtAGE	Menu	Uc 1.0-149.0-150.0	V	High panel voltage alarm clear
18 rELAY mInImUm cLoseD tImE	Menu	rTc 0-500		Relay minimum closed time (minutes)
20 tEMpERAtURE cOMPENSAtIOn	Menu	-5.0-2.7-0.0	°C mV	Battery temperature compensation per cell (2)
21 tAIL cURrent	Menu	0.0-2.0-100.0	A	Tail current
23 $\overline{\text{An}}\text{I}\text{M}\text{P}\text{A}\text{C}\text{T}\text{I}\text{O}\text{N}$	Menu	1.0-6.0-24.0	h	Absorption time
28 rEBULk OFFSet vOLtAGE	Menu	0.0 1-0. 10-5.20	V	Re-bulk offset voltage (subtracted from setting 6)
29 LOw tEMpERAtURE cHARGe cURrent	Menu	0.0-100.0	A	Max. charge current below the low temperature level (item 30)
30 LOw tEMpERAtURE LEvEL	Menu	-10.0-5-10.0	°C	Low temperature level (for item 29)
31 bMS PrESEnt	Menu	bT5 y,n		BMS Present (6)
35 LORd fUnctiOn	Menu	LORd 0-1-6		Load control (7)
36 LORd LOw vOLtAGE	Menu	LL 16.0-20.0-34.8		Load user defined low voltage
37 LORd HIgh vOLtAGE	Menu	Lh 16.0-20.0-34.8		Load user defined high voltage
40 $\overline{\text{An}}\text{I}\text{M}\text{P}\text{A}\text{C}\text{T}\text{I}\text{O}\text{N}\text{E}\text{Q}\text{U}\text{A}\text{L}\text{I}\text{Z}\text{A}\text{T}\text{I}\text{O}\text{N}$	Menu	1.0-4.0-24.0	h	Automatic equalization maximum time
41 EQuALIZAtIOn AuTOSTOP	Menu	y,n		Equalization stops when voltage (setting 8) reached
42 EQuALIZAtIOn cURrent pERCentAGE	Menu	0-25-100		Equalization current percentage (percentage of setting 2)
49 bACKLIghT IntENSIty	Menu	0-1		Backlight intensity
50 bACKLIghT ALtErNAtIvE On	Menu	OFF,On,AuT0		Backlight automatic turn off after 60s (8)
51 sCROLL sPEED	Menu	1-3-5		Text scroll speed
57 rH fUnctiOn	Menu	rH 0-3		VE.Direct port RX pin mode (9)
58 tX fUnctiOn	Menu	tX 0-4		VE.Direct port TX pin mode (10)
59 cAn AdDrESS	Menu	nA 0-255		VE.Can network address
60 cAn dEvICe InStANcE	Menu	dl 0-255		VE.Can device instance
61 sOftwAre vERsIOn	Menu	1.0		Software version
62 rESEt DEfAuLTs	Menu	rESEt		Reset to default settings (11)
63 CLEAR HIStORy	Menu	CLARr		History data reset (12)
64 LOck sEtUP	Menu	LOCh y,n		Lock settings
67 tEMpERAtURE UnIt	Menu	CELc,FARr		Temperature unit °C/°F

Notes:

- 1) The factory defined battery type can be selected with the rotary switch next to VE.Direct connector. The selected type will be shown here. The setting can alter between a factory defined type and "USER".
- 2) These values can ONLY be changed for the battery type "USER". The values in the table are for a 24V-battery.
- 3) Automatic equalisation can be set to "OFF" (default) or a number between 1 (every day) and 250 (once every 250 days). See section 3.8 for more details about automatic equalisation.
- 4) To allow the charger to equalise the battery properly, use the manual equalise option only during absorption and float periods, and when there is sufficient sunlight. Press SELECT: the text "StArT" will blink, press SELECT again to start equalisation. To terminate the equalisation mode prematurely, enter the setup menu and navigate to setup item 10, press SELECT: the text "StOP" will blink, press SELECT again to stop equalisation. The manual equalise duration is 1 hour.
- 5) Relay function (setting 11):

Value	Description
0	Relay always off
1	Panel voltage high (setup items 16 and 17)
2	Internal temperature high (>85°C)
3	Battery voltage too low (setup items 12 and 13, default setting)
4	Equalization active
5	Error condition present
6	Internal temperature low (<-20°C)
7	Battery voltage too high (setup items 14 and 15)
8	Charger in float or storage
9	Day detection (panels irradiated)
10	Load control (relay switches according to load control mode, see setting 35 and note 7)

- 6) The parameter BMS present will be set to 'Y'es internally when a compatible BMS is detected. Setting 31 can be used to revert the charger to normal operation (i.e. without BMS) by setting it manually to 'N'o. (for example if the charger is moved to another location where a BMS is not needed, it cannot be set the 'Y'es manually.

7) Load control mode (setting 35).

To use the relay (setting 11, value 10), or the VE.Direct port (setting 58, value 4) to control a load according to the options below:

Value	Description
0	Load output always off
1	Batterylife algorithm (default)
2	Conventional algorithm 1 (off<22.2V, on>26.2V)
3	Conventional algorithm 2 (off<23.6V, on>28.0V)
4	Load output always on
5	User defined algorithm 1 (off<20.0V, on>28.0V)
6	User defined algorithm 2 (off<20.0V<on<28.0V<off)

- 8) Backlight automatic turn-off has the following options: OFF=backlight remains lit all the time, ON=the backlight will dim 60s after the last keypress, AUTO=when charging the backlight is lit, otherwise it will dim.



9) VE.Direct port RX pin mode (setting 57)

Value	Description
0	Remote on/off (default). Can be used for on-off control by a VE.Bus BMS (instead of connecting the BMS to the remote on-off port. VE.Direct non-inverting remote on/off cable needed. (ASS030550310)
1	No function.
2	The RX pin can de-energize the relay (relay off), if relay function 10 of setting 11 has been set (see note 5, value 10). The load control options (setting 35) remain valid. In other words, a AND function is created: both the load control and the RX pin must be high (value=2) or low (value=3) to energize the relay.
3	

10) VE.Direct port TX pin mode (setting 58)

Value	Description
0	Normal VE.Direct communication (default) For example to communicate with a Color Control panel (VE.Direct cable needed)
1	Pulse every 0.01kWh
2	Light dimming control (pwm normal) TX digital output cable needed (ASS0305505500)
3	Light dimming control (pwm inverted) TX digital output cable needed (ASS0305505500)
4	Load control mode: the TX pin switches according to load control mode, see note 7. TX digital output cable (ASS0305505500) needed to interface to a logic level load control port.

11) Press SELECT: the text "r-E5Et" will blink, press SELECT again to reset to original factory settings. The charger will re-boot. The history data will not be affected (kWh counter, etc).

12) Press SELECT: the text "CLEAR" will blink, press SELECT again to erase the history data (kWh-counter, etc). Note that this takes a few seconds to complete.

Note: any setting change performed with the pluggable LCD display or via Bluetooth will override the rotary switch setting. Turning the rotary switch will override prior settings made with the pluggable LCD display or via Bluetooth.

Warning: Some battery manufacturers do recommend a constant current equalization period, and others do not. Do not use constant current equalization unless recommend by the battery supplier.

4. Troubleshooting

Problem	Possible cause	Solution
Charger does not function	Reversed PV connection	Connect PV correctly
	Reverse battery connection	Non replacable fuse blown. Return to VE for repair
The battery is not fully charged	A bad battery connection	Check battery connection
	Cable losses too high	Use cables with larger cross section
	Large ambient temperature difference between charger and battery ($T_{\text{ambient_chrg}} > T_{\text{ambient_batt}}$)	Make sure that ambient conditions are equal for charger and battery
	<i>Only for a 24V or 48V system:</i> wrong system voltage chosen (e.g. 12V instead of 24V) by the charge controller	Set the controller manually to the required system voltage
The battery is being overcharged	A battery cell is defect	Replace battery
	Large ambient temperature difference between charger and battery ($T_{\text{ambient_chrg}} < T_{\text{ambient_batt}}$)	Make sure that ambient conditions are equal for charger and battery

Using the pluggable LCD display or VictronConnect and the procedures below, most errors can be quickly identified. If an error cannot be resolved, please refer to your Victron Energy supplier.

Error nr.	Problem	Cause / Solution
n. a.	The LCD does not light up (no backlight, no display)	The internal power supply used for powering the converter and the backlight is derived from either the solar-array or the battery. If PV and battery voltage are both below 6V the LCD will not light up. Make sure that the LCD display is properly inserted into the socket.
n. a.	The LCD does not light up (backlight works, no display, charger seems to work)	This may be due to low ambient temperature. If the ambient temperature is below -10°C (14°F) the LCD-segments can become vague. Below -20°C (-4°F) the LCD-segments can become invisible. During charging the LCD-display will warm up, and the screen will become visible.
n. a.	The charge controller does not charge the battery	The LCD-display indicates that the charge-current is 0 Amps. Check the polarity of the solar-panels. Check the battery breaker Check if there is an error indication on the LCD Check if the charger is set to "ON" in the menu. Check if the Remote input is connected. Check if the right system voltage has been selected
n. a.	High temperature: the thermometer icon blinks	This error will auto-reset after temperature has dropped. Reduced output current due to high temperature. Check the ambient temperature and check for obstructions near the heatsink.
Err 2	Battery voltage too high (>76,8V)	This error will auto-reset after the battery voltage has dropped. This error can be due to other charging equipment connected to the battery or a fault in the charge controller.
Err 17	Controller overheated despite reduced output current	This error will auto-reset after charger has cooled down. Check the ambient temperature and check for obstructions near the heatsink.
Err 18	Controller over-current	This error will auto-reset. Disconnect the charge controller from all power-sources, wait 3 minutes, and power up again. If the error persists the charge controller is probably faulty.
Err 20	Maximum Bulk-time exceeded	This error can only occur when the maximum bulk-time protection is active. This error will not auto-reset. This error is generated when the battery-absorption-voltage is not reached after 10 hours of charging. For normal solar installations it is advised not to use the maximum bulk-time protection.
Err 21	Current sensor issue	The charge controller is probably faulty. This error will not auto-reset.

Error nr.	Problem	Cause / Solution
Err 26	Terminal overheated	Power terminals overheated, check wiring and fasten bolts if possible. This error will auto-reset.
Err 33	PV over-voltage	This error will auto-reset after PV-voltage has dropped to safe limit. This error is an indication that the PV-array configuration with regard to open-circuit voltage is critical for this charger. Check configuration, and if required, re-organise panels.
Err 34	PV over-current	The current from the solar-panel array has exceeded 75A. This error could be generated due to an internal system fault. Disconnect the charger from all power-sources, wait 3 minutes, and power-up again. If the error persists the controller is probably faulty. This error will auto-reset.
Err 38	Input shutdown due to battery over-voltage	To protect the battery from over-charging the panel input is shut down. To recover from this condition first disconnect the solar panels and disconnect the battery. Wait for 3 minutes reconnect the battery first and next the panels. If the error persists the charge controller is probably faulty.
Inf 65	Communication warning	Communication with one of the paralleled controllers was lost. To clear the warning, switch the controller off and back on.
Inf 66	Incompatible device	The controller is being paralleled to another controller that has different settings and/or a different charge algorithm. Make sure all settings are the same and update firmware on all chargers to the latest version.
Err 67	BMS connection lost	Connection to the BMS lost, check the connection (Cabling / Bluetooth link). When the charger needs to operate in stand-alone mode again, change to setup menu setting 'BMS' from 'Y' to 'N' (setup item 31).
Err 114	CPU temperature too high	This error will reset after the CPU has cooled down. If the error persists, check the ambient temperature and check for obstructions near the air inlet and outlet holes of the charger cabinet. Check manual for mounting instructions with regard to cooling. If error persists the controller is probably faulty.
Err 116	Calibration data lost	This error will not auto-reset.
Err 119	Settings data lost	This error will not auto-reset. Restore defaults in the setup menu (setup item 62). Disconnect the charge controller from all power-sources, wait 3 minutes, and power up again.

For further questions see FAQ:

https://www.victronenergy.com/live/drafts:mppt_faq

Specifications

SmartSolar charge controller	MPPT 150/70	MPPT 150/100
Battery voltage	12/24/48V Auto Select (36V: manual)	
Maximum battery current	70A	100A
Nominal PV power, 12V 1a,b)	1000W	1450W
Nominal PV power, 24V 1a,b)	2000W	2900W
Nominal PV power, 36V 1a,b)	3000W	4350W
Nominal PV power, 48V 1a,b)	4000W	5800W
Max. PV short circuit current 2)	50A (max 30A per MC4 conn.)	70A (max 30A per MC4 conn.)
Maximum PV open circuit voltage	150V absolute maximum coldest conditions 145V start-up and operating maximum	
Peak efficiency	98%	
Self consumption	Less than 35mA @ 12V / 20mA @ 48V	
Charge voltage 'absorption'	Default setting: 14,4V / 28,8V / 43,2V / 57,6V (adjustable)	
Charge voltage 'float'	Default setting: 13,8V / 27,6V / 41,4V / 55,2V (adjustable)	
Charge voltage 'equalization'	Default setting: 16,2V / 32,4V / 48,6V / 64,8V (adjustable)	
Charge algorithm	multi-stage adaptive (eight preprogrammed algorithms) or user defined algorithm	
Temperature compensation	-16mV/°C / -32mV/°C / -64mV/°C	
Protection	Battery reverse polarity (fuse, not user accessible) PV reverse polarity / Output short circuit / Over temperature	
Operating temperature	-30 to +60°C (full rated output up to 40°C)	
Humidity	95%, non-condensing	
Maximum altitude	5000m (full rated output up to 2000m)	
Environmental condition	Indoor, unconditioned	
Pollution degree	PD3	
Data communication port	VE.Can, VE.Direct or Bluetooth	
Remote on/off	Yes (2 pole connector)	
Relay (programmable)	DPST AC rating: 240VAC/4A DC rating: 4A up to 35VDC, 1A up to 60VDC	
Parallel operation	Yes	
ENCLOSURE		
Colour	Blue (RAL 5012)	
PV terminals	35mm ² / AWG2 (Tr models), or three pairs of MC4 connectors (MC4 models)	
Battery terminals	35mm ² / AWG2	
Protection category	IP43 (electronic components)	IP22 (connection area)
Weight	3kg	4,5kg
Dimensions (h x w x d)	185 x 250 x 95 mm	216 x 295 x 103 mm
STANDARDS		
Safety	EN/IEC 62109-1, UL 1741, CSA C22.2	
1a) If more PV power is connected, the controller will limit input power.		
1b) The PV voltage must exceed Vbat + 5V for the controller to start. Thereafter the minimum PV voltage is Vbat + 1V.		
2) A higher sort circuit current may damage the controller in case of reverse polarity connection of the PV array.		
3) Default setting: OFF		

EN

NL

FR

DE

ES

SE

IT

Appendix

1. Algemene beschrijving

Bluetooth Smart ingebouwd: geen dongle vereist

De draadloze oplossing om de controller in te stellen, te bewaken en te updaten via Apple- of Android-smartphones, -tablets of andere apparaten.

VE.Direct-poort en twee VE.Can-poorten

Voor een bedrade dataverbinding met een Color Control, Venus GX, PC of andere apparaten.

Externe aan/uit-ingang

Aan-/uitschakelen op afstand met een VE.Bus BMS tijdens het opladen van lithium-ionaccu's.

Programmeerbaar relais

Kan worden geprogrammeerd (o.a. met een smartphone) om geactiveerd te worden door een alarm of andere gebeurtenissen.

Optioneel: aansluitbaar LCD-scherm

Verwijder hiervoor de rubberen afdichting die de plug aan de voorkant van de controller beschermt en sluit het scherm hierop aan.

Ultrasnelle Maximum Power Point Tracking (MPPT)

Vooral als het bewolkt is en de lichtintensiteit voortdurend verandert, verbetert een ultrasnelle MPPT-controller de energieopbrengst tot 30% in vergelijking met PWM-laadcontrollers en tot 10% in vergelijking met tragere MPPT-controllers.

Advanced Maximum Power Point Detection in het geval van gedeeltelijke schaduw

In het geval van gedeeltelijke schaduw kan de vermogenskromme twee of meer maximale vermogenspunten tonen.

Conventionele MPPT's benutten meestal een plaatselijke MPP, hetgeen mogelijk niet het optimale MPP is.

Het innovatieve SmartSolar-algoritme maximaliseert de energieopbrengst altijd door het optimale MPP te benutten.

Uitstekend omzettingsrendement

Geen koelventilator. Het maximale rendement is meer dan 98%. Volledige uitgangsstroom tot 40°C (104°F).

Uitgebreide elektronische beveiliging

Beveiliging tegen een te hoge temperatuur en vermogensvermindering bij hoge temperaturen.

Bescherming tegen omgekeerde polariteit voor zonnecellen.

Interne temperatuursensor

Compenseert absorptie- en druppelladingsspanningen voor temperatuur (bereik 6°C tot 40°C).

EN

NL

FR

DE

ES

SE

Appendix

Optionele externe spannings- en temperatuursensor

(bereik -20°C tot 50°C)

De Smart Battery Sense is een draadloze batterij spannings- en temperatuursensor voor Victron MPPT Zonneladers. De Zonnelader gebruikt deze afmetingen om diens laadparameters te optimaliseren. De accurateheid van de gegevens die het doorstuurt zal de doeltreffendheid van het batterijladen verbeteren en de levensduur van de batterij verlengen. Als alternatief kan Bluetooth communicatie ingesteld worden tussen een BMV-712 batterijmonitor met batterijtemperatuursensor en de zonnelaadcontroller. Voer, voor meer details, *smart networking* in in het zoekvakje op onze website.

Automatische accuspanningsherkenning

De controllers passen zich **slechts een keer** automatisch aan, aan een systeem van 12 V, 24 V of 48 V. Als op een later moment een andere systeemspanning is vereist, moet deze handmatig worden gewijzigd, bijvoorbeeld met de Bluetooth-app of het optionele LCD-scherm. Een handmatige instelling is eveneens vereist bij een 36V-systeem.

Flexibel laadalgoritme

Volledig programmeerbaar laadalgoritme en acht voorgeprogrammeerde algoritmes die met een draaischakelaar gekozen kunnen worden.

Adaptief drietrapsladen

De SmartSolar MPPT-laadcontroller is geconfigureerd voor een drietrapsoplaadproces: Bulk, absorptie en druppel.

Een regelmatige egalisatielading kan ook worden geprogrammeerd: zie hiervoor paragraaf 3.12 in deze handleiding.

Bulk

Tijdens deze fase levert de controller zo veel mogelijk laadstroom om de accu's snel op te laden.

Absorptie

Als de accuspanning de ingestelde absorptiespanning bereikt, schakelt de controller over op de constante spanningsmodus.

Als enkel lichte ontladingen optreden, wordt de absorptietijd kort gehouden om overlading van de accu te voorkomen. Na een diepe ontlading wordt de absorptietijd automatisch verhoogd om ervoor te zorgen dat de accu opnieuw volledig wordt geladen. Daarnaast wordt de absorptietijd ook beëindigd als de laadstroom onder 2A daalt.

Druppel

Tijdens deze fase wordt de druppelladingsspanning toegepast op de accu om deze volledig opgeladen te houden.

Egalisatie

See paragraaf 3.12



Configuratie en bewaking

Configureer de zonnelaadcontroller met de VictronConnect app. Beschikbaar voor iOS- & Android-toestellen; evenals voor MacOS- en Windows-computers. Een accessoire kan vereist zijn; voer *victronconnect* in in het zoekvakje op onze website en bekijk de VictronConnect downloadpagina voor details.

Gebruik voor eenvoudig monitoring de MPPT Control; een eenvoudig maar efficiënt op panel gemonteerd beeldscherm dat alle operationele parameters toont. Monitoring van het volledige systeem inclusief inloggen op ons online portaal, VRM, wordt uitgevoerd via het GX Productgamma.



MPPT Control

Color Control

Venus GX

2. Belangrijke veiligheidsaanwijzingen

BEWAAR DEZE AANWIJZINGEN - Deze handleiding bevat belangrijke aanwijzingen waar tijdens de installatie en het onderhoud rekening mee moet worden gehouden.



Kans op ontploffing door vonken

Kans op elektrische schok

- Lees deze handleiding zorgvuldig door, voordat het product wordt geïnstalleerd en in gebruik wordt genomen.
- Dit product is ontworpen en getest conform de internationale normen. De apparatuur mag enkel worden gebruikt voor de bedoelde toepassing.
- Installeer het product in een hittebestendige omgeving. Zorg er daarom voor dat zich geen chemische stoffen, kunststofonderdelen, gordijnen of andere soorten textiel enz. in de onmiddellijke omgeving van de apparatuur bevinden.
- Het product mag niet worden gemonteerd in een voor gebruikers toegankelijk gebied zonder kabeldoos.
- Zorg ervoor dat de apparatuur wordt gebruikt onder de juiste gebruiksomstandigheden. Gebruik het product nooit in een vochtige omgeving.
- Gebruik het product nooit op plaatsen waar zich gas- of stofexplosies kunnen voordoen.
- Zorg ervoor dat er altijd voldoende vrije ruimte rondom het product is voor ventilatie.
- Raadpleeg de specificaties van de accufabrikant om er zeker van te zijn dat de accu geschikt is voor gebruik met dit product. Neem altijd de veiligheidsvoorschriften van de accufabrikant in acht.
- Bescherm de zonne-energiemodules tegen rechtstreekse lichtinval tijdens de installatie, bijv. door deze af te dekken.
- Raak niet geïsoleerde kabeluiteinden nooit aan.
- Gebruik alleen geïsoleerd gereedschap.
- De aansluitingen moeten altijd plaatsvinden in de volgorde zoals beschreven in paragraaf 3.4.
- Zonder kabeldoos moeten er andere maatregelen getroffen worden voor trektoelasting van de accukabels, zodat de aansluitingen niet onder druk komen te staan.
- Naast deze handleiding moet de bedieningshandleiding of de onderhoudshandleiding een onderhoudshandleiding voor de accu bevatten die van toepassing is op de gebruikte accutypen.

- Gebruik een koperen kabel met meerdere strengen voor de accu en paneelaansluitingen.

De maximale diameter van de afzonderlijke strengen is 0,4 mm/0,125 mm² (0,016 inch/AWG26).

Een kabel van 25 mm² dient bijvoorbeeld uit tenminste 196 strengen te bestaan (klasse 5 of hoger conform VDE 0295, IEC 60228 en BS6360). Een AWG2-meterkabel dient tenminste 259/26 strengen (259 strengen van AWG26) te hebben.

Maximale bedrijfstemperatuur: $\geq 90^{\circ}\text{C}$.

Voorbeeld van een geschikte kabel: klasse 5, 'Tri-rated'-kabel (heeft drie goedkeuringen: Amerikaans (UL), Canadees (CSA) en Brits (BS)).

In geval van dickere strengen is het contactvlak te klein en zal de resulterende hoge contactweerstand leiden tot ernstige oververhitting, met uiteindelijk brand tot gevolg.



- Maximale stroom door een MC4 terminal: 30A
- De aardklem bevindt zich in het bedravingscompartiment en wordt aangeduid met het onderstaande symbool:



Ground Symbol

3. Installatie

WAARSCHUWING: DC-INGANGSSPANNING IS NIET GEÏSOLEERD VAN ACCUCIRCUIT.

LET OP: VOOR EEN GOEDE TEMPERATUURCOMPENSATIE MOETEN DE OMGEVINGSOMSTANDIGHEDEN VOOR DE LADER EN ACCU BINNEN 5°C LIGGEN.

3.1. Algemeen

- Installeer verticaal op een onbrandbaar oppervlak met de voedingsklemmen naar beneden. Bewaar voor een optimale koeling een minimale afstand van 10 cm onder en boven het product.
- Installeer het dicht bij de accu maar nooit rechtstreeks boven de accu (om schade wegens gasvorming van de accu te voorkomen).
- Een slechte interne temperatuurcompensatie (bijv. wanneer de omgevingsomstandigheden van de accu en lader niet binnen 5°C liggen) kan leiden tot een kortere levensduur van de accu.

We adviseren een rechtstreekse spanningsgevoelbron (BMV, Smart Battery Sense of GX toestel met gedeeld spanningsgevoel) te gebruiken wanneer grotere temperatuurverschillen of extreme omgevingsomstandigheden te verwachten zijn.

- De installatie van de accu moet plaatsvinden conform de accu-opslagvoorschriften van de Canadese Elektriciteitswet, Deel I.
- De accuaansluitingen (en voor de Tr-versie ook FV-aansluitingen) moeten worden beschermd tegen onbedoeld contact (installeer deze bijv. in een behuizing of installeer de optionele Kabeldoos).

Tr-modellen: gebruik flexibele koperen kabel met meerdere strengen voor de accu- en zonnepaneelaansluitingen: zie veiligheidsaanwijzingen.

MC4-modellen: het kan zijn dat er meerdere splitterparen nodig zijn om de strengen van de zonnepanelen parallel te laten lopen. (Maximale stroom door een MC4 terminal: 30A)

3.2 Aarding

- **Aarding van de accu:** de lader kan in een positief of negatief geaard systeem worden geïnstalleerd.
Opmerking: pas een enkele aardingsaansluiting toe om storingen in het systeem te voorkomen.
- **Frame-aarding:** Een apart aardingspad voor de frame-aarding is toegestaan, omdat het is geïsoleerd van de positieve en negatieve aansluiting.
- De USA National Electrical Code (NEC) vereist het gebruik van een externe aardlekschakelaar.
Deze MPPT-laders beschikken niet over een interne aardlekschakelaar. De negatieve aansluiting van het systeem dient via een aardlekschakelaar te worden verbonden met de aarde op (uitsluitend) een enkele locatie.
- De oplader mag niet worden aangesloten op gearde FV-configuraties. (slechts één aardaansluiting).
- De plus en min van de FV-configuratie mag niet worden geaard. Aard het frame van de PV-panelen om de impact van blikseminslag te verminderen.



WAARSCHUWING: ALS ER EEN AARDINGSFOUT WORDT AANGEGEVEN, KAN HET ZIJN DAT ACCU-AANSLUITINGEN EN AANGESLOTEN CIRCUITS NIET GEAARD EN DUS GEVAARLIJK ZIJN.

EN

NL

FR

DE

ES

SE

Appendix

3.3 FV-configuratie (zie ook het MPPT-Excel-blad op onze website)

- Zorg ervoor dat alle stroomgeleiders van een fotovoltaïsche stroombron losgekoppeld kunnen worden van alle overige geleiders in een gebouw of andere constructie.
- Een schakelaar, contactverbreker of ander apparaat, met gelijk- of wisselspanning, mag niet worden als het geïnstalleerd is op een geaarde geleider als het gebruik van deze schakelaar, contactverbreker of ander apparaat de betreffende geaarde geleider in een niet-geaarde en spanningsvoerende toestand achterlaat.
- De controllers werken alleen als de FV-spanning de accuspanning (V-accu) overschrijdt.
- De controller start pas als de FV-spanning de V-accu + 5V overschrijdt. Daarna bedraagt de minimale FV-spanning V-accu + 1V.
- Maximale FV-nullastspanning: 150 V of 250 V, afhankelijk van het model.

Bijvoorbeeld:

24V-accu en mono- of polykristallijne panelen, max. FV-spanning 150 V:

- Minimaal aantal cellen in serie: 72 (2x 12V-paneel in serie of één 24V-paneel).
- Aanbevolen aantal cellen voor maximale efficiëntie van de controller: 144 cellen (4x 12V-paneel of 2x 24V-paneel in serie).
- Maximum: 216 cellen (6x 12V- of 3x 24V-paneel in serie).

48V-accu en mono- of polykristallijne panelen, max. FV-spanning 250 V:

- Minimaal aantal cellen in serie: 144 (4x 12V-paneel of 2x 24V-paneel in serie).
- Maximum: 360 cellen (10x 12V of 5x 24 paneel in serie).

Opmerking: Bij lage temperaturen kan de nullastspanning van een uit 216 cellen bestaand zonnepaneel 150 V overschrijden en de nullastspanning van een uit 360 cellen bestaand zonnepaneel kan 250 V overschrijden, afhankelijk van de omgevingsomstandigheden en de celspecificaties. In dat geval moet het aantal cellen worden verminderd.

3.4 Kabelaansluitvolgorde (zie afbeelding 1)

- 1: Sluit de accu aan.
- 2: Sluit, indien nodig, de aan-uit afstandsbediening en het programmeerbare relais aan.
- 3: Sluit het zonnepaneel aan (bij omgekeerde polariteit warmt de controller op, maar wordt de accu niet opgeladen).

Torsie: 2,4 nm

3.5 Externe aan/uit

Gebruiksmodi van het systeem aan/uit:

- a. AAN wanneer de L- en H-terminal met elkaar zijn verbonden (schakelaar of relaiscontact)
- b. AAN wanneer de L-terminal naar batterij minus wordt getrokken ($V < 3,5$ V)
- c. AAN als de H-terminal hoog is ($2,9$ V $< V_H < V_{bat}$)
- d. UIT in alle andere omstandigheden.

Het aanbevolen gebruik van de "externe aan-uit" is:

- a. Een schakelaar aangesloten tussen de L-H-pinnen.
- b. Een schakelaar aangesloten tussen de accuplusklem en de H-pin.
- c) Een schakelaar tussen de L-pin en de laadontkoppelingsterminal van een VE.Bus BMS

3.6 CAN bus-interface

De lader is uitgerust met twee CAN bus RJ45-stopcontacten.

De CAN bus op deze lader is niet galvanisch geïsoleerd. De CAN bus moet naar de min-accuaansluiting geleid worden.

De CAN bus-interface moet naar de aarding geleid worden wanneer de minpool van de accu geaard is. In het geval van een positief geaard systeem, moet de CAN-isolatiemodule naar de CAN bus-interface geleid worden voor aarding.

Het uiteinde van de CAN-kabel moet een busafsluiting hebben. Dit kan bereikt worden door

Een busafsluiting in een van de twee RJ45-aansluitingen te voeren en de CAN-kabel in de andere.

In het geval van een knooppunt (twee CAN-kabels, een in elk van de RJ45-aansluitingen), is er geen afsluiting nodig.

Voedingsspanning (V + voeding): 9 V-70 V

Maximale voedingsstroom: 500 mA

Gegevenssnelheid: 250 kbps

CANH/CANL-spanningstolerantie: +/- 70 VDC

CAN-transceiver ISO-specificatie: ISO 11898-2: 2016

Voor maximale flexibiliteit wordt de accuspanning gebruikt voor de V+ voedingskabel van de VE.CAN. Dit betekent dat alle apparatuur die is aangesloten op de VE.CAN een permanente belasting voor de batterij vormt.

3.7 Gesynchroniseerde parallele werking

Opmerking: Software nog niet beschikbaar, verwacht in Q3 / 2019

Verscheidene ladingscontrollers kunnen met de CAN-interface worden gesynchroniseerd. Dit wordt bereikt door eenvoudig de opladers te verbinden met RJ45 UTP-kabels (busafsluitingen nodig, zie paragraaf 3.6). De parallele ladingscontrollers moeten identieke instellingen hebben (bijv. ladingsalgoritme). De CAN-communicatie zorgt ervoor dat de regelaars tegelijkertijd van de ene laadtoestand naar de andere schakelen (van bulkloading tot absorptie bijvoorbeeld). **Elke eenheid zal (en moet) zijn eigen uitgangsstroom** regelen, afhankelijk van o.a. de uitvoer van elke FV-array en kabelweerstand.

In het geval een gesynchroniseerde parallele werking knipt het netwerkicoontje elke 3 seconden op alle parallele eenheden.

De FV-ingangen mogen niet parallel worden aangesloten. Elke laadregelaar moet zijn aangesloten op een eigen PV-array.

3.8 Energieopslagsysteem (ESS)

Een energieopslagsysteem (ESS) is een specifiek type voedingssysteem dat een stroomnetaansluiting integreert met een Victron-omvormer/ lader, Venus-apparaat en accusysteem. Het slaat overdag zonne-energie op in je accu, voor later gebruik wanneer de zon ophoudt te schijnen.

Raadpleeg de volgende handleiding voor het instellen van een ESS:
<https://www.victronenergy.com/live/ess:start>

3.9 Configuratie van de controller met de draaischakelaar

Volledig programmeerbaar laadalgoritme (zie de softwarepagina op onze website), en acht voorgeprogrammeerde laadalgoritmes die met een draaischakelaar kunnen worden gekozen:

Pos	Aanbevolen accutype	Abs.- lading V	Drup- pel- lading V	Ega- liseren V @%I _{no} m	dV/d T mV/° C
0	Gel Victron long life (OPzV) Gel Exide A600 (OPzV) Gel MK	28,2	27,6	31,8 @8%	-32
1	Gel Victron deep discharge Gel Exide A200 AGM Victron deep discharge Vaste buisjesplaataccu (OPzS)	28,6	27,6	32,2 @8%	-32
2	Fabrieksinstelling Gel Victron deep discharge Gel Exide A200 AGM Victron deep discharge Vaste buisjesplaataccu (OPzS)	28,8	27,6	32,4 @8%	-32
3	AGM spiraalcelaccu's Vaste buisjesplaataccu (OPzS)	29,4	27,6	33,0 @8%	-32
4	PzS buisjesplaat- tractieaccu's of OpzS- accu's	29,8	27,6	33,4 @25%	-32
5	PzS buisjesplaat- tractieaccu's of OpzS- accu's	30,2	27,6	33,8 @25%	-32
6	PzS buisjesplaat- tractieaccu's of OpzS- accu's	30,6	27,6	34,2 @25%	-32
7	Lithium-ijzerfosfaat (LiFePo ₄) accu's	28,4	27,0	n.v.t.	0

Opmerking 1: Deel alle waarden door twee in geval van een 12V-systeem en vermenigvuldig de waarden met twee in geval van een 48V-systeem.

Opmerking 2: Egaliseer normaal uit, zie par. 3.9 om te activeren.

(VRLA Gel- en AGM-accu's niet egaliseren)

Opmerking 3: Elke wijziging van de instelling die wordt uitgevoerd via het aansluitbare LCD-scherm of via Bluetooth zal de instelling met de draaischakelaar opheffen. Het draaien aan de draaischakelaar zal eerdere instellingen opheffen die met het aansluitbare LCD-scherm of via Bluetooth zijn gedaan.

Een binaire LED-code helpt om de stand van de draaischakelaar te bepalen. Na het wijzigen van de stand van de draaischakelaar zullen de LED's 4 seconden lang knipperen, op de volgende manier:
Daarna keert de normale aanduiding terug, zoals beschreven in de

Stand Schakelaar	LED Bulk-lading	LED Absorptie-lading	LED Druppellading	Knipper-frequentie
0	1	1	1	Snel
1	0	0	1	Langzaam
2	0	1	0	Langzaam
3	0	1	1	Langzaam
4	1	0	0	Langzaam
5	1	0	1	Langzaam
6	1	1	0	Langzaam
7	1	1	1	Langzaam

paragraaf over de ledaanduidingen.

3.10 LEDs

LED-aanduiding:

- brandt continu
- ⊙ knipperend
- uit

Normaal bedrijf

LED's	Bulk-lading	Absorptie-lading	Druppel-lading
Laadt niet op (*1)	⊙	○	○
Bulk-lading	●	○	○
Absorptielading	○	●	○
Handmatige egalisatie (knipperend afwisselend)	⊙	⊙	○
Automatische egalisatie	○	●	●
Druppellading	○	○	●

Opmerking (*1): De LED bulk-lading knippert kort om de 3 seconden als het systeem wordt gevoed, maar er onvoldoende vermogen is om op te laden.

Storingen

LEDs	Bulk-lading	Absorptie-lading	Druppel-lading
Temperatuur lader te hoog	○	○	⊙
Overstroom lader	⊙	○	⊙
Overspanning acculader of paneel	○	⊙	⊙
VE.Smart-netwerk of BMS-probleem	○	⊙	○
Interne storing (*2)	⊙	⊙	○

Opmerking (*2): Bijv. kalibratie- en/of instellingsgegevens verloren, stroomsensorstoring.

3.11 Accu-oplaadinformatie

De laadcontroller begint elke ochtend een nieuwe laadcyclus, zodra de zon begint te schijnen.

Loodzuurbatterijen: standaardmethode om de lengte en het einde van de absorptie te bepalen

Het laadalgoritme gedrag van MPPT's verschilt van AC verbonden batterijladers. Lees dit hoofdstuk van de handleiding zorgvuldig om MPPT-gedrag te verstaan en volg steeds de aanbevelingen van uw batterijproducent.

Standaard wordt de absorptietijd bepaald op stilstaande batterijspanning bij de start van elke dag, gebaseerd op de volgende tabel:

Batterijspanning Vb (@start-up)	Vermenigvuldiger	Maximale absorptietijd
$V_b < 11,9V$	x 1	6u
$11,9V < V_b < 12,2V$	x 2/3	4u
$12,2V < V_b < 12,6V$	x 1/3	2u
$V_b > 12,6V$	x 1/6	1u

(12V waarden, aanpassen voor 24V)

De absorptietijd teller start eens overgeschakeld van bulk naar absorptie.

De MPPT-zonnelladers zullen ook absorptieve beëindigen en overschakelen naar druppellader wanneer de batterijstroom onder een lage stroomdrempellimiet, de 'staartstroom', valt.

De standaard staartstroomwaarde bedraagt 2A.

Voor modellen met een laadoutput wordt de stroom op de batterijterminals gebruikt; en voor de grotere modellen; de stroom op de outputterminals wordt gebruikt.

De standaard instellingen (spanningen, absorptietijdvermenigvuldiger en staartstroom) kunnen aangepast worden met de Victronconnect app via Bluetooth of via VE.Direct.

Er zijn twee uitzonderingen op normale werking:

1. Wanneer gebruikt in een ESS-systeem; het zonnellader algoritme wordt uitgeschakeld; en in plaats hiervan volgt het de curve zoals opgelegd door de omvormer/acculader.
2. Voor CAN-bus Lithium-batterijen, zoals BYD, vertelt de batterij het systeem, inclusief de zonnellader, welke laadspanning te gebruiken. Deze Laadspanningslimiet (CVL) is voor bepaalde batterijen zelfs dynamisch; wijzigt mettertijd; gebaseerd op bijvoorbeeld maximale celspanning in het pakket en andere parameters.



Variaties op verwacht gedrag

- Pauzeren van de absorptietijdteller
De absorptietijdteller start wanneer de geconfigureerde absorptiespanning bereikt werd en pauzeert wanneer de outputspanning onder de geconfigureerde absorptiespanning ligt.
Een voorbeeld van wanneer deze spanningsverlaging kan voorvallen is wanneer PV-vermogen (vanwege wolken, bomen, bruggen) onvoldoende is om de batterij te laden en vermogen te geven aan de ladingen.
Wanneer de absorptietimer gepauzeerd wordt, zal de absorptie-led zeer traag flitsen.
- Herstarten van het laadproces
Het laad algoritme zal resetten wanneer laden gedurende een uur gestopt werd. Dit kan voorvallen wanneer de PV-spanning zakt onder de batterijspanning vanwege slecht weer, schaduw of iets gelijkaardigs.
- Batterij wordt opgeladen of ontladen voordat zonneloaden begint
De automatische absorptietijd is gebaseerd op de opstart-batterijspanning (zie tabel). Deze absorptietijdschatting kan incorrect zijn wanneer er een bijkomende laadbron (bv. alternator) of lading op de batterijen is.
Dit is een inherente kwestie in het standaard algoritme. In de meeste gevallen is het echter nog steeds beter dan een vaste absorptietijd ongeacht andere laadbronnen of batterijstatus.
Het is mogelijk het standaard absorptietijd algoritme terzijde te schuiven door een vaste absorptietijd in te stellen bij het programmeren van de zonnelaadcontroller. Denk eraan dat dit kan resulteren in het overladen van uw batterijen. Raadpleeg uw batterijproducent voor aanbevolen instellingen.
- Absorptietijd bepaald door staartstroom
Bij bepaalde toepassingen kan het te prefereren zijn om absorptietijd die enkel gebaseerd is op staartstroom te beëindigen. Dit kan bereikt worden door de standaard absorptietijdvermenigvuldiger te verhogen. (waarschuwing: de staartstroom van lood-zuur batterijen zakt niet naar nul wanneer de batterijen volledig opgeladen zijn, en deze "resterende" staartstroom kan substantieel verhogen wanneer de batterijen ouder worden).

Standaard instelling, LiFePO4-batterijen

LiFePO4-batterijen moeten niet volledig geladen worden om vroegtijdig defect te beletten.

De standaard instelling van absorptiespanning bedraagt 14,2V (28,4V).

En de standaard instelling van absorptietijd bedraagt 2 uur.

Standaard instelling druppellader: 13,2V (26,4V).

Deze instellingen zijn aanpasbaar.

Resetten van het laad algoritme:

De standaard instelling voor herstarten van de laadcyclus is $V_{batt} < (V_{float} - 0,4V)$ voor lood-zuur en $V_{batt} < (V_{float} - 0,1V)$ voor LiFePO4-batterijen, gedurende 1 minuut.

(waarden voor 12V-batterijen, vermenigvuldigen met twee voor 24V)

3.12 Automatische egalisatie

Automatische egalisatie staat standaard ingesteld op 'UIT'. Met de Victron Connect-app (zie par. 1.9) kan deze instelling worden geconfigureerd met een cijfer tussen 1 (elke dag) en 250 (eens om de 250 dagen).

Wanneer automatische egalisatie actief is, zal de absorptielading gevolgd worden door een periode van constante stroom met beperkte spanning. De stroom wordt beperkt tot 8% of 25% van de bulkstroom. De bulkstroom is de nominale laderstroom tenzij een lagere maximale stroominstelling werd gekozen.

Bij het gebruik van een instelling met 8% stroomlimiet eindigt automatische egalisatie wanneer de spanningslimiet bereikt werd, of na 1 uur, wat er ook eerst komt.

Andere instellingen: automatische egalisatie eindigt na 4 uur.

Wanneer automatische egalisatie niet binnen één dag volledig voltooid werd, zal het de volgende dag niet hervatten, de volgende egalisatiesessie zal plaatsvinden zoals bepaald door de daginterval.

3.13 Aansluitbaar LCD-scherm - Live data

Verwijder de rubberen afdichting die de plug aan de voorkant van de controller beschermt en sluit het scherm hierop aan. Het scherm is "hot-swappable": dat betekent dat de lader ingeschakeld kan zijn terwijl het scherm is aangesloten.



De volgende informatie wordt weergegeven als u op de knop "-" drukt (volgorde zoals weergegeven):

Weergegeven info	Iconen	Segmenten	Eenheid
Accuspanning en laadstroom		28.0	50 A
Acculaadstroom			50.0 A
Accuspanning		28.80	V
Vermogen acculader		120.0	W
Accutemperatuur ⁽¹⁾		25.0, ---, Err	°C/°F
Ladertemperatuur ⁽¹⁾		25.0, ---, Err	°C/°F
Paneelstroom		8.6	A
Paneelspanning		85.0	V
Paneelvermogen		135.0	W
Waarschuwingsmelding ⁽²⁾		1 nF	65
Storingsmelding ⁽²⁾		Err	2
ESS-werking ⁽²⁾		r-E;0;E	
BMS-modus ⁽²⁾		b75	

Opmerkingen:

- 1) Er wordt een geldige temperatuur weergegeven, --- = geen sensorinformatie of Err = ongeldige sensorgegevens.
- 2) Deze items zijn alleen zichtbaar als deze relevant zijn.

Door de knop "-" of "+" 4 seconden ingedrukt te houden, wordt de auto-scroll-modus geactiveerd. Nu verschijnen alle LCD-schermen een voor een kort na elkaar. De auto-scroll-modus kan worden beëindigd door kort op de knop "-" of "+" te drukken.



3.14 Koppelbaar LC-display - Geschiedenis

De laadcontroller volgt meerdere parameters met betrekking tot de energieopbrengst. Open de geschiedenis door op de knop SELECT te drukken als u zich in de monitormodus bevindt. Er verschijnt dan een scrollbare tekst. Druk op + of – om de verschillende parameters te doorlopen, zoals in de onderstaande tabel weergegeven. Druk op SELECT om de scrollbare tekst te stoppen en de betreffende waarde weer te geven. Druk op + of – om door de verschillende waarden te bladeren. Bij de dagelijkse items is het mogelijk om tot 30 dagen terug te gaan (de gegevens worden in de loop van de tijd beschikbaar gesteld), een korte pop-up toont het dagnummer. Druk op SELECT om het overzichtsmenu te verlaten en terug te keren naar de monitormodus. U kunt ook op de knop SETUP drukken om terug te keren naar de scrollbare tekst.

Scrollbare tekst	Iconen ⁽¹⁾	Segmenten	Eenheid	Weergegeven info
MI ELd tDLAL		258.0	kWh	Totaal rendement
LAsE Er+Dr		E0 2		Totale storing 0 (meest recent)
		E1 0		Totale storing 1 (getoond indien beschikbaar)
		E2 0		Totale storing 2 (getoond indien beschikbaar)
		E3 0		Totale storing 3 (getoond indien beschikbaar)
PAneL uDLtAgE rAmI rUg		U 95.0	V	Totale max. paneelspanning
bAteErY uDLtAgE rAmI rUg		H 28.8	V	Totale max. accuspanning
MI ELd		Y 8.6	Dag kWh	Dagelijks rendement
bAteErY uDLtAgE rAmI rUg		H 28.8	Dag V	Dagelijkse max. accuspanning
bAteErY uDLtAgE rAmI rUg		L 25.0	Dag V	Dagelijkse min. accuspanning
LAsE Er+Dr		E0 2	Dag	Dagelijkse storing 0 (meest recent)
		E1 0	Dag	Dagelijkse storing 1 (getoond indien beschikbaar)
		E2 0	Dag	Dagelijkse storing 2 (getoond indien beschikbaar)
		E3 0	Dag	Dagelijkse storing 3 (getoond indien beschikbaar)
tI rE bUl.H		tB 60	Dag	Dagelijkse tijd met bulkclading of ESS (minuten)
tI rE Ab50-PrE On		tA 30	Dag	Dagelijkse tijd met absorptielading (minuten)
tI rE F.DrE		tF 630	Dag	Dagelijkse tijd met druppelading (minuten)
rAmI rUg PDLr		P 135	Dag W	Dagelijks max. vermogen
bAteErY CU-rEnE rAmI rUg		C 50.0	Dag A	Dagelijkse max. accustroom
PAneL uDLtAgE rAmI rUg		U 95.0	Dag V	Dagelijkse max. paneelspanning

Opmerkingen:

Als de lader niet actief is ('s nachts) worden de symbolen bulkclading, absorptielading en druppelading weergegeven, zoals in de bovenstaande tabel.

Als de lader actief is, wordt er maar één symbool weergegeven: het bij de betreffende laadstatus behorende symbool.

3.15 Aansluitbaar LCD-scherm - Setup-menu

- Om het SETUP-menu te openen, houdt u de SETUP-knop 3 seconden ingedrukt. Het pictogram "Menu" gaan branden en er verschijnt een scrollbare tekst.
- Druk op de knop "-" of "+" om door de parameters te scrollen.
- De onderstaande tabel bevat alle parameters in de weergegeven volgorde, die met de knop "-" aangepast kunnen worden.
- Druk op de knop SELECT: de te wijzigen parameter begint te knipperen.
- Kies de gewenste waarde met behulp van de knop "-" of "+".

- f. Druk op SELECT om de wijziging te bevestigen, de waarde stopt nu met knippen en de wijziging wordt bewaard.
- g. Druk op SETUP om terug te keren naar het menu parameters. Nu kunt u met de knop "-" of "+" naar een andere parameter scrollen om deze te wijzigen.
- h. Om terug te keren naar de normale modus houdt u SETUP 3 seconden ingedrukt.

Scrollbare tekst	Iconen	Segmenten	Eenheid	Functie of parameter
01 P0:Er On OFF	Menu Charging	On OFF		Aan/uit-schakelaar
02 7AH 7U; CHArGE C UrrEnt	Menu	1.0-100.0	A	Maximale laadstroom
03 bAbtEr-y uDLtRGE	Menu	12-48	V	Systeemspanning
04 CHArGE AL9D-r t h; t	Menu	0.7-1.5Er	Type	Laadalgoritme (1)
05 AbSDrPEt On uDLtRGE	Menu	16.0-28.8-34.8	V	Absorptiespanning (2)
06 FLDRt uDLtRGE	Menu	16.0-21.6-34.8	V	Druppelladingspanning (2)
08 EQUALtZREt On uDLtRGE	Menu Equalize	16.0-32.4-34.8	V	Egalisatiespanning (2)
09 AUtO7ARt C EQUALtZREt On	Menu Equalize	OFF, AUtO		Automatische egalisatie (3)
10 7AnAL EQUALtZREt On	Menu Equalize	StAr; StOp		Handmatige egalisatie (4)
11 rELAY 7DdE	Menu	rEL; OFF, 1-3-10		Relaisfunctie (5)
12 rELAY LD; uDLtRGE	Menu	Lb 16.0-20.0-34.8	V	Alarm lage accu spanning instellen
13 rELAY CLAR; LD; uDLtRGE	Menu	Lbc 16.0-21.0-34.8	V	Alarm lage accu spanning wissen
14 rELAY Ht 9h uDLtRGE	Menu	Hb 16.0-33.0-34.8	V	Alarm hoge accu spanning instellen
15 rELAY CLAR; Ht 9h uDLtRGE	Menu	Hbc 16.0-32.0-34.8	V	Alarm hoge accu spanning wissen
16 rELAY Ht 9h PARtL uDLtRGE	Menu	U 1.0-150.0	V	Alarm hoge paneelspanning instellen
17 rELAY CLAR; Ht 9h PARtL uDLtRGE	Menu	Uc 1.0-149.0-150.0	V	Alarm hoge paneelspanning wissen
18 rELAY 7t n; 7U; tL DSEd t; 7E	Menu	r; 7C 0-500		Relais minimale gesloten tijd (minuten)
20 tE7PErARtUrE cD7PErSARt On	Menu	-5.0-2.7-0.0	°C mV	Accutemperatuurcompensatie per cel (2)
21 tARtL C UrrEnt	Menu	0.0-2.0-100.0	A	Staatstroom
23 7AH 7U; AbSDrPEt On t; 7E	Menu	1.0-6.0-24.0	uur	Absorptietijd
28 rEBULM OFFSEt uDLtRGE	Menu	0.0 1-0. 10-5-20	V	Re-bulk offset spanning (afgetrokken van instelling 6)
29 LD; tE7PErARtUrE CHArGE C UrrEnt	Menu	0.0-100.0	A	Max. laadstroom onder de temperatuurniveau (item 30)
30 LD; tE7PErARtUrE LEuL	Menu	- 10.0-5- 10.0	°C	Laag temperatuurniveau (for item 29)
31 b; 7S PrESEnt	Menu	b; 7S 4,n		BMS Huidig (6)
35 LDAd 7DdE	Menu	LDAd 0- 1-6		Controle belasting (7)
36 LDAd LD; uDLtRGE	Menu	LL 16.0-20.0-34.8		Belasting gebruikersgedefinieerde lage spanning
37 LDAd Ht 9h uDLtRGE	Menu	Lh 16.0-28.0-34.8		Belasting gebruikersgedefinieerde hoge spanning
40 7AH 7U; EQUALtZREt On t; 7E	Menu Equalize	1.0-4.0-24.0	h	Automatische equalizer maximale tijd
41 EQUALtZREt On AUtO StOp	Menu Equalize	4,n		De egalisatie stopt wanneer de spanning (instelling 8) is bereikt
42 EQUALtZREt On C UrrEnt; PErCENTRGE	Menu Equalize	0-25-100		Egalisatie huidig percentage (percentage van instelling 2)
49 bACHLt 9HE t n tENSt t; y	Menu	0- 1		Intensiteit achtergrondverlichting

Scrollbare tekst	Iconen	Segmenten	Eenheid	Functie of parameter
50 bRCHL19Ht AL:R95 Dn	Menu	OFF, On, Auto		Achtergrondverlichting schakelt automatisch uit na 60 sec (8)
51 SCrQLL SPEEd	Menu		1-3-5	Scrollsnelheid tekst
57 rH :DdE	Menu g-	rH	0-3	VE.Direct-poort RX-pinmodus (9)
58 tH :DdE	Menu g-	tH	0-4	VE.Direct-poort TX-pinmodus (10)
59 CAn AddrESS	Menu g-	rute_	0-255	VE.Can netwerkadres
60 CAn dEul CE l nStA rCE	Menu g-	dI	0-255	VE.Direct-apparaatnummer
61 SOfT:Ar-E uErS! Dn	Menu	l, n		Softwareversie
62 rESEtOrE dEFAULtS	Menu	rESEt		Reset naar standaardinstellingen (11)
63 CLERr hI StOrY	Menu	CLERr		Geschiedenisreset (12)
64 LdCH StEtUP	Menu	LdCH	y,n	Vergrendelingsinstellingen
67 tEt:PErRtUrE UnIt	Menu	CELC , FAhr		Temperatuureenheid °C/°F

Opmerkingen:

- 1) Het in de fabriek gedefinieerde accutype kan worden geselecteerd met de draaischakelaar naast de VE.Direct-connector. Het geselecteerde type zal hier worden weergegeven. De instelling kan wisselen tussen een in de fabriek gedefinieerd type en "USER" (gebruiker).
- 2) Deze waarden kunnen ALLEEN worden gewijzigd voor het accutype "USER". De waarden in de tabel gelden voor een 24V-accu.
- 3) De automatische egalisatie kan op "OFF" (standaard) worden gezet of op een getal tussen 1 (elke dag) en 250 (om de 250 dagen). Zie paragraaf 3.8 voor meer informatie over automatische egalisatie.
- 4) Om de lader in staat te stellen om de accu goed de egaliseren, gebruikt u de handmatige egalisatie-optie alleen tijdens het absorptie- en druppelladen en als er voldoende zon is. Druk op de knop SELECT: de tekst "StArE" gaat knipperen, druk nogmaals op SELECT om de egalisatie te starten. Om de egalisatiemodus vroegtijdig te stoppen, gaat u naar het setup-menu en vervolgens naar setup-item 10, druk vervolgens op SELECT: de tekst "StOp" gaat knipperen, druk nogmaals op SELECT om de egalisatie te stoppen. De handmatige egalisatieduur bedraagt 1 uur.
- 5) Relaisfunctie (setupitem 11)

Waarde	Beschrijving
0	Relais altijd uit
1	Paneelspanning hoog (setup-items 17 en 18)
2	Interne temperatuur hoog (>85C)
3	Accuspanning te laag (setupitems 12 en 13, standaard)
4	Egalisatie actief
5	Storing opgetreden
6	Interne temperatuur laag (<-20C)
7	Accuspanning te hoog (setupitems 14 en 15)
8	Lader in druppel- of opslag
9	Dagdetectie (panelen worden bestraald)
10	Belastingsregeling (relais schakelt volgens Belastingsregelmodus, zie instelling 35 en opmerking 7)

- 6) De parameter BMS wordt intern ingesteld op 'Ja' als een compatibel BMS is gedetecteerd. Instelling 31 kan worden gebruikt om de lader terug te zetten naar normale werking (bijv. zonder BMS) door deze handmatig op 'Nee' te zetten. (bijvoorbeeld als de lader wordt verplaatst naar een locatie

waar geen BMS nodig is). Deze kan overigens niet handmatig op 'Y' (Ja) ingesteld worden.

Waarschuwing: zet deze parameter niet op 'Ja' als u een VE.Bus BMS gebruikt die is aangesloten op de externe aan/uit-poort (zie punt 3.5).

7) Belastingsregelmodus (instelling 35).

Om het relais (instelling 11, waarde 10) of de VE.Direct-poort (instelling 58, waarde 4) voor regeling van een belasting volgens de onderstaande opties te gebruiken:

Waarde	Beschrijving
0	Belastinguitgang altijd uit
1	BatteryLife-algoritme (standaard)
2	Conventioneel algoritme 1 (uit<22,2V, aan>26,2V)
3	Conventioneel algoritme 2 (uit<23,6V, aan>28,0V)
4	Belastinguitgang altijd aan
5	Gebruikersgedefinieerd algoritme 1 (uit<20,0V, aan>28,0V)
6	Gebruikersgedefinieerd algoritme 2 (uit<20,0V<aan<28,0V<uit)

8) "Achtergrondlicht schakelt automatisch uit" heeft de volgende opties:

UIT=achtergrondlicht blijft continu branden, AAN=de achtergrondlicht wordt na 60 sec. na de laatste keer dat er op een knop is gedrukt gedimd, AUTO=tijdens het opladen brandt het achtergrondlicht, anders is deze gedimd.

9) VE.Direct-poort RX-pinmodus (instelling 57)

Waarde	Beschrijving
0	Extern aan/uit (standaard). Kan worden gebruikt voor aan/uit-regeling door een VE.Bus BMS (in plaats van de BMS op de poort aan/uit op afstand aan te sluiten). VE.Direct niet omvormende kabel voor aan/uit op afstand vereist. (ASS030550310)
1	Geen functie
2	De RX-pin kan het relais spanningsloos maken (relais uit) als relaisfunctie 10 van instelling 11 is ingesteld (zie opmerking 5, waarde 10). De belastingsregelocties (instelling 35) blijven dan geldig. Met andere woorden: er wordt een AND-functie gecreëerd: zowel de belastingsregeling als de RX-pin moeten hoog (waarde=2) of laag (waarde=3) zijn om het relais van spanning te voorzien.
3	

10) VE.Direct-poort TX-pinmodus (instelling 58)

Waarde	Beschrijving
0	Normale VE.Direct-communicatie (standaard) Om bijvoorbeeld met een Color Control panel te communiceren (VE.Direct kabel nodig)
1	Impuls om de 0,01 kWh
2	Lichtdimregeling (pwm normaal) TX digital uitgangskabel nodig (ASS0305505500)
3	Lichtdimregeling (pwm omgedraaid) TX digital uitgangskabel nodig (ASS0305505500)
4	Belastingsregelmodus: de TX-pin schakelt volgens de belastingsregelmodus, zie opmerking 7. TX-digitale uitgangskabel (ASS0305505500) vereist voor koppeling met een logisch-niveau-belastingsregelpoort.

11) Druk op de knop SELECT: de tekst "rESEt" gaat knipperen, druk nogmaals op SELECT om de oorspronkelijke fabrieksinstellingen te herstellen. De acculader wordt nu opnieuw opgestart. De geschiedenisgegevens gaan hiermee niet verloren (kWh-teller, enz.).



12) Druk op de knop SELECT: de tekst "CLEAR" gaat knipperen, druk nogmaals op SELECT om de geschiedenisgegevens te wissen (kWh-teller, enz). Opmerking: dit kan enkele seconden duren.

Opmerking:

Elke wijziging van de instelling die wordt uitgevoerd via het aansluitbare LCD-scherm of via Bluetooth zal de instelling met de draaischakelaar opheffen. Het draaien aan de draaischakelaar zal eerdere instellingen opheffen die met het aansluitbare LCD-scherm of via Bluetooth zijn gedaan.

Waarschuwing:

Sommige accufabrikanten bevelen een egalisatieperiode met constante stroom aan en anderen niet. Pas enkel egalisatie met constante stroom toe op aanraden van de acculeverancier.

EN

NL

FR

DE

ES

SE

Appendix



4. Problemen oplossen

Probleem	Mogelijke oorzaak	Oplossing
Lader werkt niet	Omgekeerde FV-aansluiting	Sluit FV op de juiste wijze aan
	Omgekeerde accu-aansluitingen	Niet vervangbare zekering doorgebrand. Retourneer het apparaat naar VE voor reparatie
De accu wordt niet volledig opgeladen	Slechte accu-aansluiting	Controleer accu-aansluiting
	Te hoge kabelverliezen	Gebruik kabels met een grotere doorsnede
	Te groot verschil in omgevingstemperatuur tussen acculader en accu ($T_{\text{omgeving_lader}} > T_{\text{omgeving_accu}}$)	Zorg ervoor dat de omgevingsomstandigheden voor de lader en de accu gelijk zijn
	<i>Alleen bij een 24V- of 48V-systeem: onjuiste systeemspanning gekozen (bv. 12 V in plaats van 24 V) door de laadcontroller</i>	Stel de controller handmatig in op de vereiste systeemspanning
De accu wordt overladen	Een accucel is defect	Vervang de accu
	Te groot verschil in omgevingstemperatuur tussen acculader en accu ($T_{\text{omgeving_lader}} < T_{\text{omgeving_accu}}$)	Zorg ervoor dat de omgevingsomstandigheden voor de lader en de accu gelijk zijn

Door gebruik te maken van het aansluitbare LCD-scherm of VictronConnect en de onderstaande procedures kunnen de meeste storingen snel worden geïdentificeerd. Als u een storing niet kunt oplossen, neemt u dan contact op met uw Victron Energy-leverancier.

Storings nr.	Probleem	Oorzaak/Oplossing
n.v.t.	Het LCD-scherm licht niet op (geen achtergrondlicht, geen display)	De interne stroomtoevoer die de omvormer en het achtergrondlicht voedt, is afkomstig van ofwel het zonnepaneel ofwel de accu. Indien zowel de FV-spanning als de accuspanning lager zijn dan 6 V gaat het LCD-scherm niet aan. Zorg ervoor dat het LCD-scherm, op de juiste wijze in de aansluiting is gestoken.
n.v.t.	Het LCD-scherm licht niet op (achtergrondlicht werkt, geen display, lader lijkt te werken)	Dit kan te wijten zijn aan een lage omgevingstemperatuur. Als de omgevingstemperatuur onder -10°C (14°F) ligt, kunnen de LCD-segmenten vaag worden. Onder -20°C (-4°F) kunnen de LCD-segmenten onzichtbaar worden. Tijdens het opladen warmt het LCD-scherm op en wordt het scherm zichtbaar.
n.v.t.	De laadcontroller laadt de accu niet op	Het LCD-scherm geeft aan dat de laadstroom 0 ampère bedraagt. Controleer de polariteit van de zonnepanelen. Controleer de stroomonderbreker van de accu. Controleer of het LCD-scherm een foutmelding geeft. Controleer of de lader op "AAN" staat in het menu. Controleer of de ingang voor afstandsbediening is aangesloten. Controleer of de juiste systeemspanning is geselecteerd.
n.v.t.	Hoge temperatuur: het thermometerpictogram knippert	Deze storing wordt automatisch hersteld als de temperatuur daalt. Lagere uitgangsstroom door hoge temperatuur. Controleer de omgevingstemperatuur en controleer of het koellichaam niet wordt geblokkeerd.
Err 2	Accuspanning te hoog (> 76,8 V)	Deze storing wordt automatisch hersteld als de accuspanning daalt. Deze storing kan te wijten zijn aan andere laadapparatuur die is aangesloten op de accu of een fout in de laadcontroller.
Err 17	Controller oververhit ondanks lagere uitgangsstroom	Deze storing wordt automatisch hersteld als de lader is afgekoeld. Controleer de omgevingstemperatuur en controleer of het koellichaam niet wordt geblokkeerd.
Err 18	Overstroom controller	Deze storing zorgt voor een automatische reset. Koppel de laadcontroller los van alle stroombronnen, wacht 3 minuten en schakel opnieuw aan. Als de storing zich blijft voordoen, is de laadcontroller waarschijnlijk defect.

EN

NL

FR

DE

ES

SE

Appendix

Storings nr.	Probleem	Oorzaak/Oplossing
Err 20	Maximale bulkkladingstijd overschreden	Deze storing kan zich enkel voordoen als de maximale bulkkladingstijdbeveiliging actief is. Deze storing wordt niet automatisch hersteld. Deze storing doet zich voor als de accuabsorptiespanning na 10 uur laden niet wordt bereikt. Voor normale zonne-installaties wordt aanbevolen om de maximale bulkkladingstijdbeveiliging niet te gebruiken.
Err 21	Stroomsensorstoring	De laadcontroller is waarschijnlijk defect. Deze storing wordt niet automatisch hersteld.
Err 26	Klem oververhit	Vermogensklemmen oververhit, controleer de bedrading en draai de schroeven aan, indien mogelijk. Deze storing zorgt voor een automatische reset.
Err 33	Te hoge FV-spanning	Deze storing wordt automatisch hersteld als de FV-spanning daalt tot de veilige limiet. Deze storing wijst erop dat de configuratie van het zonnepaneel met betrekking tot de nullastspanning kritiek is voor deze lader. Controleer de configuratie en verplaats indien nodig de panelen.
Err 34	Te hoge FV-stroom	De stroom van de zonnepanelen is hoger dan 75A. Deze storing kan worden veroorzaakt door een interne systeemfout. Koppel de lader los van alle stroombronnen, wacht 3 minuten en schakel opnieuw in. Als de storing zich blijft voordoen, is de controller waarschijnlijk defect. Deze storing zorgt voor een automatische reset.
Err 38	Invoersuitschakeling door accu-overspanning	Om de accu tegen overlading te beschermen voor de ingang van het paneel uitgeschakeld. Om deze toestand te herstellen moeten eerst de zonnepanelen worden losgekoppeld en daarna de accu. Wacht 3 minuten en sluit daarna eerst de accu en vervolgens de panelen weer aan. Als de storing zich blijft voordoen, is de laadcontroller waarschijnlijk defect.
Inf 65	Communicatie-waarschuwing	De communicatie met één van de parallel geschakelde controllers is verbroken. Schakel de controller uit en weer in om de storing te verhelpen.
Inf 66	Incompatibel apparaat	De controller is parallel geschakeld met een andere controller met andere instellingen en/of een ander laad algoritme. Let erop dat alle instellingen hetzelfde zijn en update de firmware op alle acculaders naar de nieuwste versie.
Err 67	BMS-verbinding verbroken	Verbinding met BMS onderbroken, controleer de aansluiting (bedrading/Bluetooth-link). Als de lader weer in de standalone-modus moet werken, wijzig dan de setup-menu-instelling 'BMS' van 'Y' naar 'N' (setupitem 31).
Err 114	CPU-temperatuur te hoog	Deze storing wordt automatisch hersteld als de CPU is afgekoeld.

Storings nr.	Probleem	Oorzaak/Oplossing
		Als deze storing zich blijft voordoen, controleer dan de omgevingstemperatuur en controleer of de luchtinlaat- en uitlaatgaten van de behuizing van de lader niet worden geblokkeerd. Raadpleeg de handleiding voor montageaanwijzingen met betrekking tot de koeling. Als de storing zich blijft voordoen, is de controller waarschijnlijk defect.
Err 116	Kalibratiedata verloren	Deze storing wordt niet automatisch hersteld.
Err 119	Instellingsgegevens verloren	Deze storing wordt niet automatisch hersteld. Herstel de standaardinstellingen in het setup-menu (setupitem 62). Koppel de laadcontroller los van alle stroombronnen, wacht 3 minuten en schakel opnieuw in.

Voor verdere vragen zie FAQ:

https://www.victronenergy.com/live/drafts:mppt_faq

EN

NL

FR

DE

ES

SE

Appendix

Specificaties

SmartSolar laadcontroller	MPPT 150/70	MPPT 150/100
Accuspanning	12/24/48 V Auto Select (36 V: handmatig)	
Maximale accustroom	70 A	100 A
Nom. FV-vermogen, 12 V 1a,b)	1000 W	1450 W
Nom. FV-vermogen, 24 V 1a,b)	2000 W	2900 W
Nom. FV-vermogen, 36 V 1a,b)	3000 W	4350 W
Nom. FV-vermogen, 48 V 1a,b)	4000 W	5800 W
Max. FV-kortsluitstroom 2)	50A (max 30A per MC4 conn)	70A (max 30A per MC4 conn)
Maximale FV-nullastspanning	150 V absolute maximale koudste omstandigheden 145 V bij start en max. bij bedrijf	
Piefficiëntie	98%	
Eigen verbruik	Minder dan 35mA @ 12 V / 20 mA @ 48 V	
Laadspanning 'absorptielading'	Fabrieksinstelling: 14,4 V / 28,8 V / 43,2 V / 57,6 V (regelbaar)	
Laadspanning 'druppellading'	Fabrieksinstelling: 13,8 V / 27,6 V / 41,4 V / 55,2 V (regelbaar)	
Laadspanning 'egalisatie'	Fabrieksinstelling: 16,2 V / 32,4 V / 48,6 V / 64,8 V (regelbaar)	
Laadalgoritme	meertraps adaptief (acht voorgeprogrammeerde algoritmes) of gebruikers gedefinieerd algoritme	
Temperatuurcompensatie	-16m V/°C / -32m V/°C / -64m V/°C	
Beveiliging	Omgekeerde polariteit accu (zekering, niet toegankelijk voor gebruiker) Omgekeerde polariteit zonnepaneel/Uitgangskortsluiting / Te hoge temperatuur	
Bedrijfstemperatuur	-30 tot +60 °C (volledig nominaal vermogen tot 40 °C)	
Luchtvochtigheid	95%, niet condenserend	
Maximale hoogte	5000 m (volledig nominaal vermogen tot 2000 m)	
Omgevingsomstandigheden	Binnen, natuurlijk	
Verontreinigingsgraad	PD3	
Datacommunicatiepoort	VE.CAN, VE.Direct of Bluetooth	
Aan/uit op afstand	Ja (2-polige stekker)	
Relais (programmeerbaar)	DPST nominale AC-waarde: 240 V AC / 4A DC-bereik: 4 A tot 35 V DC, 1 A tot 60 V DC	
Parallele bediening	Ja	
BEHUIZING		
Kleur	Blauw (RAL 5012)	
FV-aansluitingen	35 mm ² / AWG2 (Tr-modellen), of driefasige MC4-stekkers (MC4-modellen)	
Accu-aansluitingen	35 mm ² / AWG2 of driefasige MC4-stekkers	
Beschermingsklasse	IP43 (elektronische componenten) IP 22 (aansluitingsgebied)	
Gewicht	3 kg	4,5 kg
Afmetingen (h x b x d)	185 x 250 x 95 mm	216 x 295 x 103 mm
NORMEN		
Veiligheid	NEN-EN/IEC 62109-1, UL 1741, CSA C22.2	
1a) Als er meer FV-vermogen wordt aangesloten, beperkt de controller het ingangsvermogen.		
1b) De controller start pas als de FV-spanning V-accu + 5-V overschrijdt. Daarna bedraagt de minimale FV-spanning V-accu + 1-V.		
2) Een hogere kortsluitstroom kan de controller beschadigen bij omgekeerde polariteitsaansluiting van het zonnepaneel.		
3) Fabrieksinstelling: UIT		



1. Description générale

Bluetooth Smart intégré : pas besoin de clé électronique

La solution sans fil pour configurer, surveiller et mettre à jour le contrôleur en utilisant des téléphones Apple et Android, des tablettes ou d'autres appareils.

Port VE.Direct et deux ports VE.CAN

Pour une connexion de données filaire à un tableau de commande Color Control, à un Venus GX, à un PC ou à d'autres appareils.

Entrée on/off à distance

Contrôle de l'allumage/arrêt par un BMS du VE.Bus lors de la charge des batteries au lithium-ion.

Relais programmable

Il peut être programmé (entre autre avec un smartphone) pour déclencher une alarme ou d'autres événements.

En option : écran LCD enfichable

Retirer simplement le joint en caoutchouc qui protège la prise sur l'avant du contrôleur et insérer l'écran.

Localisation ultra rapide du point de puissance maximale (MPPT - Maximum Power Point Tracking).

Surtout en cas de ciel nuageux, quand l'intensité lumineuse change constamment, un contrôleur ultra-rapide MPPT améliorera la collecte d'énergie jusqu'à 30 % par rapport aux contrôleurs de charge PWM (modulation d'impulsions en durée), et jusqu'à 10 % par rapport aux contrôleurs MPPT plus lents.

Détection avancée du point de puissance maximale en cas de conditions ombrageuses

En cas de conditions ombrageuses, deux points de puissance maximale ou plus peuvent être présents sur la courbe de tension-puissance.

Les MPPT conventionnels ont tendance à se bloquer sur un MPP local qui ne sera pas forcément le MPP optimal.

L'algorithme novateur du SmartSolar maximisera toujours la récupération d'énergie en se bloquant sur le MPP optimal.

Efficacité de conversion exceptionnelle

Pas de ventilateur. Efficacité maximale dépassant les 98 %. Courant de sortie total jusqu'à 40°C (104°F).

Protection électronique étendue

Protection contre la surchauffe et réduction de l'alimentation en cas de température élevée.

Protection contre la polarité inversée PV.

EN

NL

FR

DE

ES

SE

IT

Appendix

Sonde de température interne

Elle compense les tensions de charge d'absorption et Float en fonction de la température (température entre 6 et 40 °C).

Sonde externe de tension et de température en option

(température entre - 20 et 50 °C)

La Smart Battery Sense est une sonde sans fil de température et de tension de batterie pour les chargeurs solaires MPPT Victron. Le chargeur solaire utilise ces mesures pour optimiser ses paramètres de charge. La précision des données transmises améliorera l'efficacité de la recharge de la batterie et prolongera sa durée de vie.

Vous pouvez aussi établir une communication Bluetooth entre un moniteur de batterie BMV-712 avec sonde de température de batterie et le contrôleur de charge solaire.

Pour plus de détails, tapez « *smart networking* » dans la barre de recherche de notre site internet.

Reconnaissance automatique de la tension de batterie

Les contrôleurs s'ajusteront automatiquement à un système de 12, 24 ou 48 V, **une fois seulement**. Si une tension de système différente est requise lors d'une étape ultérieure, il faudra effectuer le changement manuellement, par exemple avec l'application Bluetooth ou bien au moyen de l'écran LCD. De même, une configuration manuelle est nécessaire dans le cas de systèmes de 36 V.

Algorithme de charge souple

Algorithme de charge entièrement programmable, et huit algorithmes préprogrammés pouvant être sélectionnés avec un interrupteur rotatif.

Charge adaptative en trois étapes

Le contrôleur de charge SmartSolar MPPT est configuré pour un processus de charge en trois étapes : Bulk – Absorption – Float.

Une charge d'égalisation régulière peut également être programmée : consulter la section 3.12 de ce manuel.

Bulk

Au cours de cette étape, le contrôleur délivre autant de courant que possible pour recharger rapidement les batteries.

Absorption

Quand la tension de batterie atteint les paramètres de tension d'absorption, le contrôleur commute en mode de tension constante.

Lors de décharges peu profondes de la batterie, la durée de charge d'absorption est limitée pour éviter toute surcharge. Après une décharge profonde, la durée d'absorption est automatiquement augmentée pour assurer une recharge complète de la batterie. De plus, la période d'absorption prend également fin quand le courant de charge devient inférieur à moins de 2 A.

Float

Au cours de cette étape, la tension Float est appliquée à la batterie pour la maintenir en état de charge complète.

Égalisation

Voir section 3.12



Configuration et supervision

Configurez le contrôleur de charge solaire avec l'application VictronConnect. Elle est disponible pour les appareils iOS et Android ainsi que les ordinateurs MacOS et Windows. Il est possible que vous ayez besoin d'un accessoire. Tapez « victronconnect » dans la barre de recherche de notre site internet et consultez la page de téléchargement de VictronConnect pour plus de détails.

Pour une supervision simple, utilisez le MPPT Control : un écran simple mais efficace, monté sur panneau, qui affiche tous les paramètres de fonctionnement. La supervision complète du système, y compris la connexion à notre portail en ligne VRM, est réalisée à l'aide de la gamme de produits GX.



MPPT Control



Color Control



Venus GX

2. Instructions de sécurité importantes

CONSERVER CES INSTRUCTIONS - Ce manuel contient des instructions importantes qui doivent être suivies lors de l'installation et de la maintenance.



WARNING

Risque d'explosion due aux étincelles

Risque de décharge électrique

- Veuillez lire attentivement ce manuel avec d'installer et d'utiliser le produit.
- Cet appareil a été conçu et testé conformément aux normes internationales. L'appareil doit être utilisé uniquement pour l'application désignée.
- Installer l'appareil dans un environnement protégé contre la chaleur. Par conséquent, il faut s'assurer qu'il n'existe aucun produit chimique, pièce en plastique, rideau ou autre textile, à proximité de l'appareil.
- En absence d'un boîtier Wire Box, interdiction d'installer le produit dans un espace accessible aux utilisateurs.
- S'assurer que l'appareil est utilisé dans des conditions d'exploitation appropriées. Ne jamais l'utiliser dans un environnement humide.
- Ne jamais utiliser l'appareil dans un endroit présentant un risque d'explosion de gaz ou de poussière.
- S'assurer qu'il y a toujours suffisamment d'espace autour du produit pour l'aération.
- Consultez les caractéristiques fournies par le fabricant pour s'assurer que la batterie est adaptée pour être utilisée avec cet appareil. Les consignes de sécurité du fabricant de la batterie doivent toujours être respectées.
- Protéger les modules solaires contre la lumière incidente durant l'installation, par exemple en les recouvrant.
- Ne jamais toucher les bouts de câbles non isolés.
- N'utiliser que des outils isolés.
- Les connexions doivent être réalisées conformément aux étapes décrites dans la section 3.4.
- En absence de boîtier Wire Box l'installateur du produit doit fournir un passe-fil à décharge de traction pour éviter la transmission de contraintes aux connexions.
- En plus de ce manuel, le manuel de fonctionnement ou de réparation du système doit inclure un manuel de maintenance de batterie applicable au type de batteries utilisées.

- Utiliser un câble souple en cuivre à brins multiples pour la batterie et les connexions PV.
Le diamètre maximal de chaque brin est de 0,4 mm/0,125 mm² (0,016 pouce/AWG26).

Par exemple, un câble de 25mm² devra avoir au moins 196 brins (classe de toron 5 ou supérieure conformément aux normes VDE 0295, IEC 60228 et BS6360).

Un câble de calibre AWG2 devra avoir au moins un toron 259/26 (259 brins de diamètre AWG26).

Température maximale d'exploitation : ≥ 90 °C.

Exemple de câble adapté : câble à triple homologations (*tri-rated*) de classe 5 conforme aux réglementations suivantes : nord-américaines (UL), canadiennes (CSA) et britanniques (BS))

Dans le cas de brins plus épais, la zone de contact sera trop petite et la résistance au contact sera trop élevée, ce qui causera une surchauffe sévère pouvant éventuellement provoquer un incendie.



- Courant maximal à travers un connecteur MC4 30 A
- La borne de terre est située dans le compartiment de câblage et est identifiée par le symbole ci-dessous:



Ground Symbol

3. Installation

ATTENTION : ENTRÉE CC NON ISOLÉE PAR RAPPORT AU CIRCUIT DE LA BATTERIE

MISE EN GARDE : POUR UNE COMPENSATION DE TEMPÉRATURE CORRECTE, LES CONDITIONS AMBIANTES DU CHARGEUR ET DE LA BATTERIE NE DOIVENT PAS DIFFÉRER DE PLUS OU MOINS 5°C.

3.1 Généralités

- Montage vertical sur un support ininflammable, avec les bornes de puissance dirigées vers le bas. Laissez un espace d'au moins 10 cm au-dessus et en dessous du produit pour garantir un refroidissement optimal.
- Montage près de la batterie, mais jamais directement dessus (afin d'éviter des dommages dus au dégagement gazeux de la batterie).
- Une compensation de température interne incorrecte (par ex. des conditions ambiantes pour la batterie et le chargeur différant de plus de 5 °C – en plus ou en moins) peut entraîner une réduction de la durée de vie de la batterie.

Nous vous recommandons d'utiliser une source directe de détection de la tension de la batterie (BMV, sonde Smart Battery Sense ou sonde de tension partagée pour les appareils GX) si vous vous attendez à des différences de température plus importantes ou à des conditions de température ambiante extrêmes.

- L'installation de la batterie doit se faire conformément aux règles relatives aux accumulateurs du Code canadien de l'électricité, Partie 1.
- Les connexions de la batterie (et les connexions PV pour la version Tr) doivent être protégées contre tout contact commis par inadvertance (en les installant par exemple dans un boîtier ou le boîtier en option WireBox).

Modèles Tr : utiliser un câble souple en cuivre à brins multiples pour la batterie et les connexions PV : voir les instructions de sécurité.

Modèles MC4 : plusieurs paires de répartiteurs pourraient être nécessaires pour configurer en parallèle les files de panneaux solaires. (Courant maximal à travers un connecteur MC4 30 A)

3.2 Mise à la terre

- *Mise à la terre de la batterie* : le chargeur peut être installé sur un système de masse négative ou positive.

Remarque : n'installez qu'une seule connexion de mise à la terre pour éviter le dysfonctionnement du système.

- *Mise à la terre du châssis* : Un chemin de masse séparé pour la mise à la terre du châssis est autorisé car il est isolé de la borne positive et négative.
- Le National Electrical Code (NEC) des États-Unis requiert l'utilisation d'un appareil externe de protection contre les défaillances de la mise à la terre (GFPD). Les chargeurs MPPT ne disposent pas d'une protection interne contre les défaillances de mise à la terre. Le pôle négatif électrique du système devra être connecté à la masse à travers un GFPD et à un seul endroit (et juste un seul).
- Le chargeur ne doit pas être connecté à des champs PV mis à la terre. (une seule connexion de mise à la terre)



Les bornes positive et négative du champ PV ne doivent pas être mises à la terre. Effectuez la mise à la terre du cadre des panneaux PV pour réduire l'impact de la foudre.

ATTENTION : LORSQU'UNE DÉFAILLANCE DE LA MISE À LA TERRE EST INDIQUÉE, LES BORNES DE LA BATTERIE ET LES CIRCUITS CONNECTÉS RISQUENT DE NE PLUS ÊTRE À LA MASSE ET DEVENIR DANGEREUX.

3.3 Configuration PV (consultez aussi la feuille Excel MPPT sur notre site Web)

- Fournir les moyens nécessaires pour déconnecter tous les conducteurs d'une source photovoltaïque transportant du courant de tous les autres conducteurs au sein d'un bâtiment ou d'une autre structure.
- Un interrupteur, un disjoncteur, ou tout autre appareil de ce genre – qu'il soit CA ou CC – ne devra pas être installé sur un conducteur mis à la terre si le déclenchement de cet interrupteur, disjoncteur ou autre appareil de ce genre laisse ce conducteur sans mise à la terre alors que le système est sous tension.
- Le contrôleur ne fonctionnera que si la tension PV dépasse la tension de la batterie (V_{bat}).
- La tension PV doit dépasser $V_{bat} + 5\text{ V}$ pour que le contrôleur se mette en marche. Ensuite, la tension PV minimale est $V_{bat} + 1\text{ V}$
- Tension PV maximale de circuit ouvert : 150 V ou 250V, selon le modèle

Par exemple :

Batterie de 24 V et panneaux polycristallins ou monocristallins. Tension PV max. 150 V

- Nombre minimal de cellules en série : 72 cellules (2 panneaux de 12 V en série ou un panneau de 24 V).
- Nombre de cellules recommandé pour la meilleure efficacité du contrôleur : 144 cellules (4 panneaux de 12 V ou 2 panneaux de 24 V en série).
- Maximum : 216 cellules (6 panneaux de 12 V ou 3 panneaux de 24 V en série).

Batterie de 48 V et panneaux polycristallins ou monocristallins. Tension PV max. 250 V

- Nombre minimal de cellules en série : 144 (4 panneaux de 12 V ou 2 panneaux de 24 V en série).
- Maximum : 360 cellules (10 panneaux de 12V ou 5 panneaux de 24 en série).

Remarque : à basse température, la tension de circuit ouvert d'un champ de panneaux solaires de 216 cellules peut dépasser 150 V, et la tension de circuit ouvert d'un champ solaire de 360 cellules peut dépasser 250 V, en fonction des conditions locales et des spécifications relatives aux cellules. Dans ce cas, le nombre de cellules en série doit être réduit.

EN

NL

FR

DE

ES

SE

IT

Appendix

3.4 Séquence de connexion des câbles (voir figure 1)

1° : connectez la batterie.

2°: si nécessaire, connectez l'interrupteur à distance et le relais programmable

3°: connectez le champ de panneaux PV (s'il est connecté en polarité inversée, le contrôleur se chauffera, mais il ne chargera pas la batterie).

Couple : 2,4 Nm

3.5 On/Off à distance (Allumage et arrêt à distance)

La borne de gauche est connectée à l'alimentation interne de 3,3 V avec une résistance en série pour une protection contre les courts-circuits.

La borne de droite (indiquée par + ou avec H) allumera le contrôleur si une tension >3 V est appliquée, et il éteindra le contrôleur si une tension <2 V est appliquée, ou si la borne est laissée flottante.

Il est recommandé d'utiliser l'interrupteur à distance de la manière suivante :

a. Un interrupteur branché entre les bornes L-H

b. Un interrupteur branché entre la borne positive de la batterie et la borne H.

c. Un interrupteur entre la borne L et la borne de déconnexion de la charge d'un BMS de VE.Bus.

3.6 Interface CAN bus

Le chargeur est équipé de deux connecteurs RJ45 CAN Bus.

Le CAN Bus n'est pas galvaniquement isolé sur ce chargeur. Le CAN bus est relié à la connexion du pôle négatif de la batterie.

L'interface CAN bus sera reliée à la masse si le pôle négatif de la batterie est mis à la terre. Dans le cas d'un système avec mise à la terre positive, un module d'isolation CAN sera nécessaire pour relier l'interface CAN Bus à la terre.

L'extrémité d'un câble CAN doit disposer d'un terminateur Bus. Cela est possible en insérant un terminateur Bus sur l'un des deux connecteurs RJ45 et le câble CAN sur l'autre. En cas de nœud (deux câbles CAN, un sur chaque connecteur RJ45), aucun terminateur n'est nécessaire.

Tension d'alimentation (V+ alimentation) : 9 V-70 V

Courant d'alimentation maximal : 500 mA

Débit de données : 250 kbps

Tolérance de tension CANH/CANL : +/-70 VCC

Spécification ISO du transmetteur-récepteur CAN : ISO 11898-2:2016

Pour fournir une flexibilité maximale, la tension de la batterie est utilisée pour la ligne d'alimentation V+ du VE.CAN. Cela signifie que tous les équipements connectés au VE.CAN représentent une charge permanente à la batterie.

3.7. Fonctionnement en parallèle synchronisé

Remarque : logiciel pas encore disponible, prévu au T3/2019

Plusieurs contrôleurs de charge peuvent être synchronisés avec l'interface CAN. Cela est possible en raccordant simplement les chargeurs avec des câbles RJ45 UTP (terminateurs bus nécessaires, voir section 3.6).

Les contrôleurs de charge installés en parallèle doit disposer de paramètres identiques (par ex. algorithme de charge). La communication CAN garantit que les contrôleurs commuteront en simultané depuis d'un état de charge à un autre (par exemple depuis une charge bulk à absorption). **Chaque unité réglera (et devra régler) sa propre sortie de courant**, en fonction, entre autres, de la sortie de chaque champ de panneaux PV et de la résistance de câble.

En cas de fonctionnement en parallèle synchronisé, l'icône de réseau clignotera toutes les 3 secondes sur toutes les unités installées en parallèle.

Les entrées PV ne doivent pas être connectées en parallèle. Chaque contrôleur de charge doit être connecté à son propre champ de panneaux PV.

3.8 Système de stockage d'énergie (ESS)

Un système de stockage d'énergie (ESS – Energy Storage System) est un système d'énergie spécifique qui intègre une connexion au réseau d'alimentation avec un Convertisseur/Chargeur Victron, un appareil Venus et un système de batteries. Il stocke l'énergie solaire dans votre batterie durant la journée, pour ensuite l'utiliser plus tard lorsque le soleil cesse de briller.

Veuillez consulter le manuel suivant pour configurer un système ESS :
<https://www.victronenergy.com/live/ess:start>

EN

NL

FR

DE

ES

SE

IT

Appendix

3.9 Configuration du contrôleur avec un interrupteur rotatif

Algorithme de charge entièrement programmable (voir la section Logiciels de notre site Web) et huit algorithmes de charge préprogrammés, pouvant être sélectionnés avec un interrupteur rotatif :

Po s	Type de batterie suggéré	Absorp- tion V	Floa t V	Égalis ation V @%I _{no} m	dV/d T mV/° C
0	Gel Victron long life (OPzV) Gel exide A600 (OPzV) Gel MK	28,2	27,6	31,8 @8 %	-32
1	Gel Victron Deep Discharge Gel Exide A200 AGM Victron Deep Discharge Batterie fixe à plaques tubulaires (OPzS)	28,6	27,6	32,2 @8 %	-32
2	Configuration par défaut Gel Victron Deep Discharge Gel Exide A200 AGM Victron Deep Discharge Batterie fixe à plaques tubulaires (OPzS)	28,8	27,6	32,4 @8 %	-32
3	AGM à cellules en spirale Batterie fixe à plaques tubulaires (OPzS) Batterie AGM Rolls	29,4	27,6	33,0 @8 %	-32
4	Batteries de traction à plaque tubulaire PzS ou batteries OPzS	29,8	27,6	33,4 @25 %	-32
5	Batteries de traction à plaque tubulaire PzS ou batteries OPzS	30,2	27,6	33,8 @25 %	-32
6	Batteries de traction à plaque tubulaire PzS ou batteries OPzS	30,6	27,6	34,2 @25 %	-32
7	Batteries au phosphate de lithium-fer (LiFePo4)	28,4	27,0	n.d.	0

Remarque 1 : divisez toutes les valeurs par deux pour un système de 12 V, et multipliez-les par deux pour un système de 48 V.

Remarque 2 : l'option d'égalisation est généralement éteinte. Voir section 3.9 pour l'activer.

(ne pas égaliser des batteries VRLA (GEL et AGM))

Remarque 3 : tout changement de configuration réalisé avec l'écran LCD enfichable ou par Bluetooth annulera la configuration effectuée à l'aide de l'interrupteur rotatif.

Le fait de tourner l'interrupteur rotatif permettra d'annuler les configurations précédentes effectuées par l'écran LCD enfichable ou par Bluetooth.



Un code LED binaire aide à déterminer la position de l'interrupteur rotatif. Après avoir changé la position de l'interrupteur rotatif, les LED clignoteront pendant 4 secondes de la manière suivante :

Position de l'interrupteur	LED Bulk	LED Abs	LED Float	Fréquence de clignotement
0	1	1	1	Rapide
1	0	0	1	Lente
2	0	1	0	Lente
3	0	1	1	Lente
4	1	0	0	Lente
5	1	0	1	Lente
6	1	1	0	Lente
7	1	1	1	Lente

Par la suite, l'indication normale reprend, comme il est décrit dans la section des LED.

EN

NL

FR

DE

ES

SE

IT

Appendix

3.10 LED

Indication de voyants LED :

- allumé
- ◎ clignote
- éteint

Fonctionnement régulier

	LED	Bulk	Absorption	Float
Pas de charge en cours (*1)		◎	○	○
Bulk		●	○	○
Absorption		○	●	○
Égalisation manuelle (clignotement alterné)		◎	◎	○
Égalisation automatique		○	●	●
Float		○	○	●

Note (*1) : Le voyant LED Bulk clignote brièvement toutes les 3 secondes quand le système est alimenté mais que la puissance est insuffisante pour démarrer le processus de charge.

Situations d'erreur

	LED	Bulk	Absorption	Float
Température du chargeur trop élevée		○	○	◎
Surintensité du chargeur		◎	○	◎
Surtension du panneau ou chargeur		○	◎	◎
Réseautage VE.Smart ou problème BMS		○	◎	○
Erreur interne (*2)		◎	◎	○

Note (*2) : Par ex. données de configuration et/ou étalonnage perdues, problème de sonde de courant.

3.11 Information relative à la charge de batterie

Le contrôleur de charge démarre un nouveau cycle de charge chaque matin dès que le soleil commence à briller.

Batteries plomb/acide : méthode par défaut pour déterminer la durée et la fin de l'absorption

Le comportement des algorithmes de charge des MPPT diffère de celui des chargeurs de batterie branchés sur le courant alternatif. Veuillez lire attentivement cette section du manuel pour comprendre le comportement du MPPT et suivez toujours les recommandations du fabricant de votre batterie.

Par défaut, le temps d'absorption est déterminé en fonction de la tension de la batterie à vide au début de chaque journée, selon le tableau suivant :

Tension de batterie Vb (au démarrage)	Multiplicateur	Durée maximale d'absorption
$V_b < 11,9 \text{ V}$	x 1	6 h
$11,9 \text{ V} < V_b < 12,2 \text{ V}$	x 2/3	4 h
$12,2 \text{ V} < V_b < 12,6 \text{ V}$	x 1/3	2 h
$V_b > 12,6 \text{ V}$	x 1/6	1 h

(Valeurs pour 12 V. À ajuster proportionnellement pour une batterie 24 V)

Le compteur de durée d'absorption démarre lorsque le système passe du bulk à l'absorption.

Les chargeurs solaires MPPT mettront aussi fin à l'absorption et passeront en mode Float lorsque le courant de la batterie tombe sous un seuil de courant faible, le « courant de queue ».

Par défaut, le courant de queue est de 2 A.

Les paramètres par défaut (tensions, multiplicateur de temps d'absorption et courant de queue) peuvent être modifiés à l'aide de l'application Victronconnect par Bluetooth ou par VE.Direct.

Il existe deux exceptions au fonctionnement normal :

1. Lorsqu'il est utilisé dans un système ESS, l'algorithme du chargeur solaire est désactivé. Il suit alors la courbe prescrite par l'convertisseur / chargeur.
2. Pour les batteries au lithium CAN-bus, comme les batteries BYD, la batterie indique au système, dont le chargeur solaire, la tension de charge à utiliser. Cette limite de tension de charge (CVL) est même dynamique pour certaines batteries : elle évolue avec le temps, en fonction par exemple de la tension maximale de la cellule dans le pack et d'autres paramètres.

Lorsque, dans le cas des exceptions susmentionnées, plusieurs chargeurs solaires sont connectés à un appareil GX, ces chargeurs se synchronisent automatiquement.

Variations du comportement attendu

1. Pause du compteur de temps d'absorption

Le compteur de temps d'absorption démarre lorsque la tension d'absorption configurée est atteinte et s'interrompt lorsque la tension de sortie est inférieure à la tension d'absorption configurée.

Une telle chute de tension peut par exemple se produire lorsque la puissance photovoltaïque est insuffisante pour charger la batterie et alimenter les charges (à cause de nuages, d'arbres ou de ponts).

Lorsque la minuterie d'absorption est en pause, la LED d'absorption clignote très lentement.

2. Redémarrage du processus de charge

L'algorithme de charge se réinitialisera si la charge s'est arrêtée (c'est-à-dire si le temps d'absorption s'est interrompu) pendant une heure. Cela peut se produire lorsque la tension photovoltaïque chute en dessous de la tension de la batterie en raison d'intempéries, de l'ombre ou d'autres causes similaires.

3. Batterie en cours de charge ou déchargée avant le début de la charge solaire

Le temps d'absorption automatique est basé sur la tension de la batterie au démarrage (voir le tableau). Cette estimation du temps d'absorption peut être incorrecte s'il existe une source de charge supplémentaire (par exemple un alternateur) ou une charge sur les batteries.

C'est un problème inhérent à l'algorithme par défaut. Cependant, dans la plupart des cas, il reste préférable à un temps d'absorption fixe, indépendamment des autres sources de charge ou de l'état de la batterie. Il est possible de remplacer l'algorithme de temps d'absorption par défaut en définissant un temps d'absorption fixe lors de la programmation du contrôleur de charge solaire. Sachez toutefois que cela peut entraîner une surcharge de vos batteries. Renseignez-vous auprès du fabricant de votre batterie pour connaître les paramètres recommandés.

4. Temps d'absorption déterminé par le courant de queue

Dans certaines applications, il peut être préférable de mettre fin au temps d'absorption en se basant uniquement sur le courant de queue. Pour ce faire, il convient d'augmenter le multiplicateur de temps d'absorption par défaut.

(avertissement : le courant de queue des batteries plomb/acide ne baisse pas jusqu'à une valeur nulle lorsque les batteries sont complètement chargées, et ce courant de queue « restant » peut augmenter considérablement avec le vieillissement de la batterie)

Configuration par défaut, batteries LiFePO4

Les batteries LiFePO4 n'ont pas besoin d'être complètement chargées pour éviter une défaillance prématurée.

La tension d'absorption paramétrée par défaut est de 14,2 V (28,4 V).

Le temps d'absorption paramétré par défaut est de 2 heures.

Float par défaut : 13,2 V (26,4 V).

Vous pouvez ajuster ces paramètres.

Réinitialisation de l'algorithme de charge :

Paramètre par défaut pour le redémarrage du cycle de charge :

$V_{batt} < (V_{float} - 0,4 \text{ V})$ pour les batteries plomb-acide

et $V_{batt} < (V_{float} - 0,1 \text{ V})$ pour les batteries LiFePO4, pendant 1 minute.

(valeurs pour les batteries 12 V, à multiplier par deux pour les batteries 24 V)

3.12 Égalisation automatique

L'égalisation automatique est configurée par défaut sur « OFF » (inactive).

Avec l'application Victron Connect (voir la section 1.12), ce paramètre peut être configuré entre 1 (chaque jour) et 250 (une fois tous les 250 jours).

Si l'égalisation automatique est active, la charge d'absorption sera suivie d'une période de courant constant limité par la tension. Le courant est limité à 8 ou 25 % du courant bulk (voir le tableau à la section 3.5). Le courant bulk est le courant nominal du chargeur, sauf si un courant maximal inférieur a été paramétré.

Lorsque vous utilisez un paramètre avec une limite de courant de 8 %, l'égalisation automatique s'arrête lorsque la limite de tension est atteinte ou après 1 heure, selon lequel de ces deux événements se produit en premier. Autres réglages : l'égalisation automatique prend fin après 4 heures.

Si l'égalisation automatique n'est pas complètement terminée en une journée, elle ne reprendra pas le lendemain. La prochaine séance d'égalisation aura lieu après l'intervalle de jours prévu.

3.13 Écran LCD enfichable - Données en direct

Retirer simplement le joint en caoutchouc qui protège la prise sur l'avant du contrôleur et brancher l'écran. L'écran est remplaçable à chaud, ce qui signifie que le chargeur peut être opérationnel tandis que l'écran est branché.



L'information suivante s'affichera en appuyant sur le bouton « - » (dans l'ordre d'apparence) :

Info affichée	Icônes	Segments	Unités
Tension de batterie et courant de charge		28.8 50	A
Courant de charge de batterie		50.0	A
Tension de batterie		28.80	V
Puissance de charge de la batterie		120.0	W
Température de batterie ⁽¹⁾		25.0, ---, Err	°C/°F
Température de chargeur ⁽¹⁾		25.0, ---, Err	°C/°F
Courant du panneau		8.6	A
Tension du panneau		85.0	V
Puissance du panneau		135.0	W
Message d'avertissement ⁽²⁾		1 nF 65	
Message d'erreur ⁽²⁾		Err 2	
Fonctionnement A DISTANCE ⁽²⁾		rE:0LE	
Fonctionnement ESS ⁽²⁾		ESS	
Fonctionnement BMS ⁽²⁾		b75	

Remarques :

- 1) Une température correcte est affichée, --- = aucune information de sonde ou Err = donnée de sonde incorrecte.
- 2) Ces valeurs ne sont visibles que si elles sont importantes.

En appuyant sur le bouton « - » ou « + » pendant 4 secondes, le mode de défilement automatique s'active. À présent, tous les écrans LCD s'afficheront un par un à un court intervalle. Le mode de défilement automatique peut être arrêté en appuyant un court instant sur le bouton « - » ou « + ».

3.14 Écran LCD enfichable - Données historiques

Le contrôleur de charge fait un suivi de plusieurs paramètres relatifs à la collecte d'énergie. Entrez dans les données historiques en appuyant sur le bouton SELECT durant le mode Contrôleur. Un texte déroulant s'affichera. Appuyez sur « + » ou « - » pour naviguer parmi les divers paramètres, tels qu'indiqués dans le tableau ci-dessous, et appuyez sur SELECT pour arrêter le défilement et montrer la valeur correspondante. Appuyez sur « + » ou « - » pour naviguer parmi les valeurs. Pour les valeurs quotidiennes, il est possible de revenir jusqu'à 30 jours en arrière (la donnée devient disponible au fil du temps), une fenêtre pop-up affiche la date du jour. Appuyez sur SELECT pour quitter le menu de l'historique des données et pour revenir au mode Contrôleur. Sinon, appuyez sur SETUP pour revenir au texte déroulant.

Texte déroulant	Icônes ⁽¹⁾	Segments	Unités	Info affichée
YI EL d tOTAL		258,0	kWh	Total Rendement
LAsE Er-rDr		E0 2		Erreur totale 0 (la plus récente)
		E1 0		Erreur totale 1 (affichée si disponible)
		E2 0		Erreur totale 2 (affichée si disponible)
		E3 0		Erreur totale 3 (affichée si disponible)
PRnEL uDLtA9E rAHM rUJ		U 95,0	V	Tension de panneau maximale totale
bARtErY uDLtA9E rAHM rUJ		H 28,8	V	Tension de batterie maximale totale
YI EL d		Y 8,6	kWh/Jour	Rendement quotidien
bARtErY uDLtA9E rAHM rUJ		H 28,8	V/Jour	Tension de batterie maximale quotidienne
bARtErY uDLtA9E rAHM rUJ		L 25,0	V/Jour	Tension de batterie minimale quotidienne
LAsE Er-rDr		E0 2	Jour	Erreur quotidienne 0 (la plus récente)
		E1 0	Jour	Erreur quotidienne 1 (affichée si disponible)
		E2 0	Jour	Erreur quotidienne 2 (affichée si disponible)
		E3 0	Jour	Erreur quotidienne 3 (affichée si disponible)
tI rE bULH		tb 60	Jour	Durée en Bulk ou ESS quotidienne écoulée (minutes)
tI rE AbsOr-PEt On		tR 30	Jour	Durée d'absorption quotidienne écoulée (minutes)
tI rE FLDrE		tF 630	Jour	Durée Float quotidienne écoulée (minutes)
rAHM rUJ PDLER		P 735	W/Jour	Puissance quotidienne maximale
bARtErY CU-rEnE rAHM rUJ		C 50,0	A/Jour	Courant de batterie maximal quotidien
PRnEL uDLtA9E rAHM rUJ		U 95,0	V/Jour	Tension maximale quotidienne de panneau

Remarque :

Lorsque le chargeur n'est pas activé (durant la nuit), les icônes Bulk, Float et absorption s'afficheront comme le montre le tableau ci-dessus.

Lorsque le chargeur est activé, un seul icône sera affiché : celui correspondant à l'état de charge actuel.

3.15 Écran LCD enfichable - Menu de configuration

- Pour entrer dans le menu SETUP, maintenez appuyer le bouton SETUP pendant 3 secondes. L'icône « Menu » s'allumera et un texte déroulant s'affichera.
- Appuyer sur le bouton « - » ou « + » pour faire défiler les paramètres.
- Le Tableau ci-dessous énumère dans l'ordre d'apparence tous les paramètres qui peuvent être ajustés en appuyant sur le bouton « - ».
- Appuyez sur SELECT : le paramètre à changer clignotera.
- Utilisez le bouton « - » ou « + » pour choisir la valeur souhaitée.
- Appuyez sur SELECT pour confirmer le changement, la valeur arrêtera de clignoter, et le changement deviendra définitif.
- Appuyez sur SETUP pour retourner au menu des paramètres. Le bouton « - » ou « + » permet maintenant de défiler de haut en bas jusqu'au paramètre suivant qui doit être changé.
- Pour retourner au mode normal, appuyez sur SETUP pendant 3 secondes.

Texte déroulant	Icônes	Segments	Unités	Fonction ou paramètre
01 PO:Er On OFF	Menu Charging	On,OFF		Interrupteur ON / OFF
02 "AH" "U": CHA:9E C UrrEnt	Menu	1.0-100.0	A	Courant de charge maximal
03 bAbtErY uDLtRGE	Menu	12-48	V	Tension du système
04 CHA:9E AL90r1 bht	Menu	0.7-4.5Er	Type	Algorithme de charge (1)
05 AbSDrPct On uDLtRGE	Menu	16.0-28.8-34.8	V	Tension d'absorption (2)
06 FLDRt uDLtRGE	Menu	16.0-27.6-34.8	V	Tension Float (2)
08 EQUAL1 2Rct On uDLtRGE	Menu	16.0-32.4-34.8	V	Tension d'égalisation (2)
09 AUtDRt1C EQUAL1 2Rct On	Menu	OFF,AUTO		Égalisation automatique (3)
10 "ARuAL EQUAL1 2Rct On	Menu	5Er,t,StcP		Égalisation manuelle (4)
11 rELAY 70DE	Menu	rEL, OFF, 1-10		Fonction relais (5)
12 rELAY LD' uDLtRGE	Menu	Lb 16.0-20.0-34.8	V	Configurer Alarme de tension de batterie faible
13 rELAY CLERr LD' uDLtRGE	Menu	Lbc 16.0-21.0-34.8	V	Annuler l'alarme de tension de batterie faible
14 rELAY Hl 9h uDLtRGE	Menu	Hb 16.0-33.0-34.8	V	Configurer Alarme de tension de batterie élevée
15 rELAY CLERr Hl 9h uDLtRGE	Menu	Hbc 16.0-32.0-34.8	V	Annuler Alarme de tension de batterie élevée
16 rELAY Hl 9h PRnEL uDLtRGE	Menu	U 1.0-150.0	V	Configurer Alarme de tension élevée sur le panneau
17 rELAY CLERr Hl 9h PRnEL uDLtRGE	Menu	Uc 1.0-149.0-150.0	V	Annuler Alarme de tension élevée sur le panneau
18 rELAY "i" ni "u": cL OSEd b1:GE	Menu	rT 0-500		Période minimale de fermeture du relais (minutes)
20 tErP:rArU-E cDTP EnSRct On	Menu	-5.0-27.0-0.0	°C mV	Compensation de température de batterie par cellule (2)
21 bAl C UrrEnt	Menu	0.0-2.0-100.0	A	Courant de queue
23 "AH" "U": AbSDrPct On b1:GE	Menu	1.0-5.0-24.0	h	Durée d'absorption
28 rEbULM OFFSEt uDLtRGE	Menu	0.0 1-0. 10-5.20	V	Tension de décalage de remise en volume (soustraite du réglage 6)
29 LD' tErP:rArU-E CHA:9E C UrrEnt	Menu	0.0-100.0	A	Courant de charge maximal en dessous du niveau bas de température (point 30)
30 LD' tErP:rArU-E LEuEL	Menu	- 10.0-5-10.0	°C	Niveau de température bas (pour point 29)
31 b'S PrESEnt	Menu	b'S 4n		BMS présent (6)
35 LDrd 70dE	Menu	LDrd 0- 1-5		Contrôle de la charge (7)



Texte déroulant	Icônes	Segments	Unités	Fonction ou paramètre
36 L0Ad L0: uDLtA9E	Menu	LL 16.0-20.0-34.8		Charger la tension basse définie par l'utilisateur
37 L0Ad H 9H uDLtA9E	Menu	Lh 16.0-20.0-34.8		Charger la tension élevée définie par l'utilisateur
40 rARH uDLtA9E	Menu Equalize	LD-4.0-24.0	h	Temps maximum d'égalisation automatique
41 E9uALi 2RtE Dn RuE D StOP	Menu Equalize		y,n	L'égalisation s'arrête lorsque la tension (réglage 8) est atteinte
42 E9uALi 2RtE Dn Cur rEnt PE rCEntA9E	Menu Equalize		0-25-100	Pourcentage actuel d'égalisation (pourcentage du réglage 2)
49 bARChLI 9HE i nEtEnS i tEY	Menu		0-1	Intensité du rétroéclairage
50 bARChLI 9HE AL t rYS Dn	Menu		OFF,0n,RuE D	Le rétroéclairage s'éteint automatiquement au bout de 60 s (8)
51 SC rDLL SPEEd	Menu		1-3-5	Vitesse de défilement du texte
57 rH uDLtA9E	Menu	rH	0-3	Mode broche RX Port VE.Direct (9)
58 tH uDLtA9E	Menu	tH	0-4	Mode broche TX Port VE.Direct (10)
60 dEul CE i nStArACE	Menu	df	0-255	Instance d'appareil VE.Direct
59 CRn AdDrESS	Menu	nA	0-255	Adresse du réseau VE.Can
60 CRn dEul CE i nStArACE	Menu	df	0-255	Instance d'appareil VE.Can
61 SDFt rArE uErSi Dn	Menu	i, n		Version du logiciel
62 rESEt rE DEFALtS	Menu	rESEt		Réinitialisation a aux paramètres par défaut (11)
63 CLERr Hl StOrY	Menu	CLERr		Réinitialisation des données historiques (12)
64 L0Ch StEUP	Menu	L0Ch	y,n	Paramètres de verrouillage
67 tE rPE rArE uEr i nEt	Menu		CELC,FAr	Unité de température °C/°F

Remarques :

- 1) Le type de batterie défini en usine peut être sélectionné avec l'interrupteur rotatif à côté du connecteur VE.Direct. Le type sélectionné est affiché ici. La configuration peut être modifiée entre un type de batterie défini en usine ou par l'utilisateur (« USER »).
- 2) Ces valeurs NE peuvent être changées QUE pour le type de batterie définie par l'utilisateur (« USER »). Les valeurs de ce tableau correspondent à une batterie de 24 V.
- 3) L'égalisation automatique peut être configurée sur arrêt « OFF » par défaut, ou sur un nombre compris entre 1 (tous les jours) et 250 (tous les 250 jours). Voir section 3.8 pour plus de renseignements sur l'égalisation automatique.
- 4) Pour permettre au chargeur d'effectuer correctement l'égalisation de la batterie, n'utilisez l'option d'égalisation manuelle que pendant les périodes d'absorption et Float, et s'il y a suffisamment de soleil. Appuyez sur SELECT : le texte « StAr t » clignotera, appuyez de nouveau sur SELECT pour démarrer l'égalisation. Pour terminer le mode d'égalisation de manière prématurée, entrez dans le menu de configuration et naviguez jusqu'à la valeur de configuration 10, appuyez sur SELECT : le texte « StOP » clignotera. Appuyez de nouveau sur SELECT pour arrêter l'égalisation. La durée de l'égalisation manuelle est d'une heure.
- 5) Fonction de relai (paramètre 11) :

Valeur	Description
0	Relais toujours éteint
1	Tension du panneau élevée (valeurs de configuration 17 et 18)
2	Température interne élevée (>85° C)
3	Tension de batterie trop basse (valeurs de configuration 12 et 13, par défaut)
4	Égalisation active
5	Condition d'erreur présente
6	Température interne basse (<-20° C)
7	Tension de batterie trop élevée (valeurs de configuration 14 et 15, par défaut)
8	Chargeur en mode Float ou stockage
9	Détection Jour (panneaux ensoleillés)
10	Contrôle de la charge (le relais commute selon le mode de contrôle de la charge. Voir paramètre 35 et note 7)



6) Le paramètre « BMS présent » sera configuré sur « Y » (oui) au niveau interne si un BMS compatible est détecté. Le paramètre 31 peut être utilisé pour repasser le chargeur en fonctionnement normal (c.à.d. sans BMS) en le configurant manuellement sur « N » (non). (Par exemple si le chargeur est déplacé à un autre endroit où aucun BMS n'est pas nécessaire, le « Oui » ne peut pas être configuré manuellement).

Avertissement : ne pas configurer ce paramètre sur « Y » (oui) lorsqu'un BMS de VE.Bus connecté au port on/off à distance est utilisé (voir sect 3.5).

7) Mode de contrôle de la charge (paramètre 35).

Pour utiliser le relais (paramètre 11, valeur 10), ou le port VE.Direct (paramètre 58, valeur 4) pour contrôler une charge selon les options ci-dessous :

Valeur	Description
0	Sortie de la charge éteinte en permanence.
1	Algorithme BatteryLife (par défaut)
2	Algorithme conventionnel 1 (off<22,2 V, on>26,2 V)
3	Algorithme conventionnel 2 (off<23,6 V, on>28,0 V)
4	Sortie de la charge allumée en permanence.
5	Algorithme défini par utilisateur 1 (off<20,0 V, on>28,0 V)
6	Algorithme défini par utilisateur 2 (off<20.0 V<on<28.0 V<off)

8) L'extinction automatique du rétroéclairage présente les options suivantes : OFF=le rétroéclairage reste allumé tout le temps, ON=le rétroéclairage diminuera au bout de 60 s sans appuyer sur une touche, AUTO=durant le processus de charge, le rétroéclairage est allumé, sinon, son intensité diminuera.

9) Mode broche RX Port VE.Direct (paramètre 57)

Valeur	Description
0	Interrupteur on/off à distance (par défaut). Il peut être utilisé pour contrôler l'allumage ou l'arrêt d'un BMS de VE.Bus (au lieu de connecter le BMS au port on/off à distance. Câble non inverseur d'allumage/arrêt à distance VE.Direct nécessaire. (ASS030550310)
1	Pas de fonction.
2 3	La broche RX peut mettre le relais hors tension (relais éteint), si la fonction de relais 10 du paramètre 11 a été configurée (voir note 5, valeur 10). Les options de contrôle de la charge (paramètre 35) restent valables. En d'autres termes, une fonction AND est créée : le contrôle de la charge et la broche RX doivent être élevés (valeur = 2) ou basses (valeur = 3) pour mettre le relais sous tension.

10) Mode broche TX Port VE.Direct (paramètre 58)

Valeur	Description
0	Normal VE.Direct communication (default) Par exemple pour communiquer avec un tableau de commande Color Control (câble VE.Direct nécessaire)
1	Impulsion tous les 0,01 kWh
2	Contrôle d'atténuation des voyants (PWMnormal) Câble de sortie numérique TX nécessaire (ASS0305505500)
3	Contrôle d'atténuation des voyants (PWM inversés) Câble de sortie numérique TX nécessaire (ASS0305505500)
4	Mode de contrôle de la charge : la broche TX commute conformément au mode de contrôle de la charge. Voir la Remarque 7. Câble de sortie numérique TX (ASS0305505500) nécessaire pour communiquer avec un port de contrôle de la charge au niveau logique.

11) Appuyez sur SELECT : le texte « rESEt » clignotera. Appuyez de nouveau sur SELECT pour réinitialiser les paramètres d'usine. Le chargeur redémarrera. Les données historiques ne seront pas concernées (compteur-kWh, etc.).

12) Appuyez sur SELECT : le texte « CLER » clignotera. Appuyez de nouveau sur SELECT pour effacer les données historiques (compteur-kWh, etc.). Noter que cela prend quelques secondes.

Remarque :

tout changement de configuration réalisé avec l'écran LCD enfichable ou par Bluetooth annulera la configuration avec l'interrupteur rotatif. Le fait de tourner l'interrupteur rotatif permettra d'annuler les configurations précédentes effectuées par l'écran LCD enfichable ou par Bluetooth.

Attention :

Certains fabricants de batterie recommandent une période constante d'égalisation de courant, et d'autres non. Ne pas utiliser une égalisation de courant constante sauf si le fabricant le recommande.

4. Solutions

Problème	Cause possible	Solution possible
Le chargeur ne marche pas	Connexion PV inversée	Connectez le système PV correctement
	Connexion inversée de batterie	Fusible sauté non remplaçable. Retour à VE pour réparation
La batterie n'est pas complètement chargée	Raccordement défectueux de la batterie	Vérifiez la connexion de la batterie
	Pertes trop élevées à travers le câble.	Utilisez des câbles ayant une section efficace plus large
	Importante différence de température ambiante entre le chargeur et la batterie ($T_{\text{ambiant_chrg}} > T_{\text{ambiant_batt}}$)	Assurez-vous que les conditions ambiantes soient les mêmes pour le chargeur et la batterie
	<i>Uniquement pour un système de 24 V ou 48 V</i> : le contrôleur de charge a choisi la tension de système incorrecte (par exemple 12 V au lieu de 24 V).	Configurez le contrôleur manuellement selon la tension de système requise.
La batterie est surchargée	Une cellule de la batterie est défectueuse	Remplacez la batterie
	Importante différence de température ambiante entre le chargeur et la batterie ($T_{\text{ambiant_chrg}} < T_{\text{ambiant_batt}}$)	Assurez-vous que les conditions ambiantes soient les mêmes pour le chargeur et la batterie

EN

NL

FR

DE

ES

SE

IT

Appendix

En utilisant l'écran LCD enfichable ou le VictronConnect et les procédures ci-dessous, la plupart des erreurs peuvent être rapidement identifiées. Si une erreur ne peut pas être résolue, veuillez en référer à votre fournisseur Victron Energy.

N° Erreur	Problème	Cause/Solution
n.d.	Le LCD ne s'allume pas (pas de rétroéclairage, pas d'affichage)	L'alimentation interne utilisée pour allumer le convertisseur et le rétroéclairage provient soit du champ de panneaux photovoltaïques soit de la batterie. Si la tension PV et de la batterie se trouvent en dessous de 6 V, le LCD ne s'allumera pas. Assurez-vous que l'écran LCD est inséré correctement dans la fiche.
n.d.	Le LCD ne s'allume pas (le rétroéclairage fonctionne, pas d'affichage, le chargeur semble fonctionner)	Cela peut être dû à une température ambiante faible. Si la température ambiante est inférieure à -10 °C (14°F) les segments LCD peuvent devenir flous. En dessous de -20°C (-4°F), les segments peuvent devenir invisibles. Pendant la charge, l'écran LCD chauffera, et l'écran deviendra visible.
n.d.	Le contrôleur de charge ne charge pas la batterie	L'écran LCD indique que le courant de charge est de 0 A. Vérifiez la polarité des panneaux solaires. Vérifiez le disjoncteur de la batterie. Vérifiez si l'écran LCD affiche une indication d'erreur Vérifiez si le chargeur est paramétré sur « ON » dans le menu. Vérifiez que l'entrée à distance est connectée. Vérifiez que la tension de système correcte a bien été sélectionnée.
n.d.	Température élevée : l'icône du thermomètre clignote.	Cette erreur impliquera une réinitialisation automatique dès que la température aura chuté. Courant de sortie réduit en raison d'une température élevée. Vérifiez la température ambiante et recherchez des obstructions près du dissipateur thermique.
Err 2	Tension de batterie trop élevée (> 76,8 V)	Cette erreur impliquera une réinitialisation automatique dès que la tension de la batterie aura chuté. Cette erreur peut être due à un autre équipement de charge connecté à la batterie ou à une erreur dans le contrôleur de charge.
Err 17	Contrôleur en surchauffe malgré un courant de sortie réduit	Cette erreur impliquera une réinitialisation automatique dès que le chargeur aura refroidi. Vérifiez la température ambiante et recherchez des obstructions près du dissipateur thermique.
Err 18	Surintensité du contrôleur	Cette erreur impliquera une réinitialisation automatique. Déconnectez le contrôleur de charge de toutes les sources d'énergie, attendez 3 minutes, et rallumez de nouveau. Si l'erreur persiste, le contrôleur de charge est probablement défaillant.

Err 20	Temps Bulk maximal dépassé	Cette erreur ne peut se produire que quand la protection maximale de la durée Bulk est active. Cette erreur n'impliquera pas de réinitialisation automatique. Cette erreur est générée quand la tension d'absorption de la batterie n'est pas atteinte après 10 heures de charge. Pour des installations solaires normales, il est conseillé de ne pas utiliser la protection maximale de durée Bulk.
Err 21	Problème de sonde de courant	Le contrôleur de charge est probablement défaillant. Cette erreur n'impliquera pas une réinitialisation automatique.
Err 26	Borne en surchauffe	Bornes de puissance surchauffées : vérifiez le câblage et serrez les boulons si possible. Cette erreur impliquera une réinitialisation automatique.
Err 33	Surtension PV	Cette erreur impliquera une réinitialisation automatique dès que la tension PV aura chuté à sa limite de sécurité. Cette erreur indique que la configuration du champ de panneaux PV en ce qui concerne la tension du circuit ouvert est critique pour ce chargeur. Vérifiez la configuration, et le cas échéant, réorganisez les panneaux.
Err 34	Surintensité PV	Le courant provenant du champ de panneaux PV dépasse 75 A. Cette erreur peut être due à une défaillance interne du système. Déconnectez le chargeur de toutes les sources d'énergie, attendez 3 minutes, et rallumez de nouveau. Si l'erreur persiste, le contrôleur est probablement défaillant. Cette erreur impliquera une réinitialisation automatique.
Err 38	Arrêt de l'entrée dû à la surtension de la batterie	Pour protéger la batterie contre la surcharge, l'entrée du panneau est éteinte. Pour changer cette condition, déconnectez d'abord les panneaux solaires et ensuite la batterie. Patientez pendant 3 minutes, reconnectez d'abord la batterie, et ensuite les panneaux. Si l'erreur persiste, le contrôleur de charge est probablement défaillant.
Inf 65	Avertissement de communication	La communication avec l'un des contrôleurs installés en parallèle a été perdue. Pour effacer cet avertissement, éteignez le chargeur et rallumez-le.
Inf 66	Appareil incompatible	Le chargeur est mis en parallèle avec un autre chargeur qui a des paramètres différents et/ou un algorithme de charge différent. Assurez-vous que tous les paramètres sont les mêmes, et actualisez le micrologiciel à la dernière version sur tous les chargeurs.
Err 67	Connexion au BMS perdue	Connexion au BMS perdue, vérifiez la connexion (câblage / liaison Bluetooth) Si le chargeur doit fonctionner de nouveau en mode indépendant, changez le paramètre du BMS dans le menu de configuration de « Y » (oui) à « N » (non) (valeur de configuration 31).
Err 114	Température de la CPU trop élevée	Cette erreur impliquera une réinitialisation dès que la CPU se sera refroidie. Si l'erreur persiste, vérifiez la température ambiante et vérifiez si l'aspiration de l'air et les orifices de sortie sont obstrués dans l'armoire du chargeur.

		Vérifiez manuellement les instructions de montage concernant le refroidissement. Si l'erreur persiste, le contrôleur est probablement défectueux.
Err 116	Données d'étalonnage perdues	Cette erreur n'impliquera pas de réinitialisation automatique.
Err 119	Données de configuration perdues	Cette erreur n'impliquera pas de réinitialisation automatique. Restaurer les paramètres par défaut dans le menu SET-UP (valeur de configuration 62). Déconnectez le contrôleur de charge de toutes les sources d'énergie, attendez 3 minutes, et rallumez de nouveau.

Pour d'autres questions, consultez la FAQ :

https://www.victronenergy.com/live/drafts:mppt_faq



Specifications

Contrôleur de charge SmartSolar	MPPT 150/70	MPPT 150/100
Tension de la batterie	12/24/48 V Sélection automatique (36 V : sélection manuelle)	
Courant de batterie maximal	70 A	100 A
Puissance nominale PV, 12 V 1a, b)	1000 W	1450 W
Puissance nominale PV, 24 V 1a, b)	2000 W	2900 W
Puissance nominale PV, 36 V 1a, b)	3000 W	4350 W
Puissance nominale PV, 48 V 1a, b)	4000 W	5800 W
Courant maxi. de court-circuit PV 2)	50 A (max 30 A par conn. MC4)	70 A (max 30 A par conn. MC4)
Tension PV maximale de circuit ouvert	150 V maximum absolu dans les conditions les plus froides 145 V maximum pour le démarrage et le fonctionnement	
Efficacité de crête	98 %	
Autoconsommation	Moins de 35mA @ 12V / 20mA @ 48V	
Tension de charge « d'absorption »	Configuration par défaut : 14,4 V / 28,8 V / 43,2 V / 57,6 V (réglable)	
Tension de charge « Float »	Configuration par défaut : 13,8 V / 27,6 V / 41,4V / 55, 2V (réglable)	
Tension de charge « d'égalisation »	Configuration par défaut : 16,2 V / 32,4 V / 48,6 V / 64,8 V (réglable)	
Algorithme de charge	Algorithme adaptatif à étapes multiples (huit algorithmes préprogrammés) ou algorithme défini par l'utilisateur.	
Compensation de température	-16mV/°C / -32mV/°C / -64mV/°C	
Protection	Polarité inversée de la batterie (fusible, non accessible par l'utilisateur) Polarité inversée PV / Court-circuit de sortie / Surchauffe	
Température d'exploitation	-30 à +60° C (puissance nominale en sortie jusqu'à 40° C)	
Humidité	95 %, sans condensation	
Altitude maximale	5000 m (sortie nominale complète jusqu'à 2000 m)	
Conditions environnementales	Intérieur, sans climatisation	
Niveau de pollution	PD3	
Port de communication de données et	VE.Can, VE.Direct ou Bluetooth	
On/off à distance.	Oui (connecteur à deux pôles)	
Relais (programmable)	DPST Puissance nominale CA : 240 VCA/4 A Puissance nominale CC : 4 A jusqu'à 35 VCC, 1 A jusqu'à 60 VCC	
Fonctionnement en parallèle	Oui	
BOÎTIER		
Couleur	Bleu (RAL 5012)	
Bornes PV	35 mm ² / AWG2 (Modèles Tr), ou trois paires de connecteurs MC4 (modèles MC4)	
Bornes de batterie	35 mm ² / AWG2 ou trois ensembles de connecteurs MC4	
Degré de protection	IP43 (composants électroniques) IP 22 (zone de connexion)	
Poids	3 kg	4,5 kg
Dimensions (h x l x p)	185 x 250 x 95 mm	216 x 295 x 103 mm
NORMES		
Sécurité	EN/IEC 62109-1, UL 1741, CSA C22.2	
1a) Si une puissance PV supérieure est connectée, le contrôleur limitera la puissance d'entrée		
1b) La tension PV doit dépasser Vbat + 5 V pour que le contrôleur se mette en marche. Ensuite, la tension PV minimale doit être de Vbat + 1 V.		
2) Un courant de court-circuit supérieur pourrait endommager le contrôleur en cas de polarité inversée du champ PV.		
3) Réglages par défaut : OFF		

EN

NL

FR

DE

ES

SE

IT

Appendix



1. Allgemeine Beschreibung

Eingebauter Bluetooth Smart: Kein Dongle notwendig

Die drahtlose Lösung zum Set-up, Überwachen und Aktualisieren des Reglers mithilfe von Apple- und Android-Smartphones, Tablets oder anderen Geräten.

VE.Direct Anschluss und zwei VE.Can Ports

Für eine verdrahtete Datenverbindung mit einem Color Control, einem Venus GX, einem PC oder einem anderen Gerät.

Eingabe für ferngesteuerte Ein-/Aus-Schaltung

Ein-/Aus-Steuerung durch ein VE.Bus BMS beim Laden von Lithium-Ionen-Batterien.

Programmierbares Relais

Lässt sich programmieren (u. a. mit einem Smartphone), um einen Alarm oder andere Ereignisse auszulösen.

Optional: einsteckbares LCD-Display

Entfernen Sie einfach die Gummidichtung, die den Stecker an der Vorderseite des Reglers schützt, und stecken Sie das Display ein.

Ultraschnelles Maximum Power Point Tracking (MPPT)

Insbesondere bei bedecktem Himmel, wenn die Lichtintensität sich ständig verändert, verbessert ein extrem schneller MPPT-Regler den Energieertrag im Vergleich zu PWM-Lade-Reglern um bis zu 30 % und im Vergleich zu langsameren MPPT-Reglern um bis zu 10 %.

Fortschrittliche Maximum Power Point Erkennung bei Teilverschattung.

Im Falle einer Teilverschattung können auf der Strom-Spannungskurve zwei oder mehr Punkte maximaler Leistung (MPP) vorhanden sein. Herkömmliche MPPTs neigen dazu, sich auf einen lokalen MPP einzustellen. Dieser ist jedoch womöglich nicht der optimale MPP. Der innovative Algorithmus des SmartSolar Gerätes wird den Energieertrag immer maximieren, indem er sich auf den optimalen MPP einstellt.

Hervorragender Wirkungsgrad

Kein Kühlgebläse. Maximaler Wirkungsgrad bei über 98 %. Voller Ausgangsstrom bis zu 40 °C (104 °F).

Umfassender elektronischer Schutz

Überhitzungsschutz und Lastminderung bei hohen Temperaturen. Verpolungsschutz der PV-Anlage

Interner Temperatursensor

Gleicht Konstant- und Ladeerhaltungsspannungen nach Temperatur aus (Bereich 6°C bis 40°C).

EN

NL

FR

DE

ES

SE

Appendix

Optionaler externer Spannungs- und Temperatursensor

(Bereich -20°C bis 50°C)

Der **Smart Battery Sense** ist ein drahtloser Batterie-Spannungs- und Temperatursensor für Victron MPPT Solarladegeräte. Der Solarlader nutzt diese Messungen, um seine Ladeparameter zu optimieren. Die Genauigkeit der übermittelten Daten verbessert die Ladeeffizienz der Batterie und verlängert die Lebensdauer der Batterie.

Alternativ kann eine Bluetooth-Kommunikation zwischen einem BMV-712 Batteriewächter mit Batterietemperatursensor und dem Solarladeregler eingerichtet werden. Für weitere Informationen geben Sie bitte **Smart Networking** in das Suchfeld auf unserer Website ein.

Automatische Batteriespannungserkennung

Die Regler passen sich **nur einmal** automatisch an ein 12 V, 24 V oder 48 V System an. Wird zu einem späteren Zeitpunkt eine andere Systemspannung benötigt, muss diese manuell geändert werden, z. B. mit der Bluetooth App oder dem optionalen LCD-Display. In ähnlicher Weise ist auch bei einem 36 V-System eine manuelle Einstellung notwendig.

Flexible Ladealgorithmen

Voll programmierbarer Lade-Algorithmus und acht vorprogrammierte Algorithmen, auswählbar über einen Drehknopf.

Adaptive Drei-Stufen-Ladung

Der SmartSolar MPPT-Lade-Regler ist für einen Drei-Stufen-Ladeprozess konfiguriert: Konstantstrom – Konstantspannung – Ladeerhaltungsspannung. Es kann auch eine regelmäßige Ausgleichsladung programmiert werden: Siehe Punkt 3.12 dieser Anleitung.

Konstantstrom

Während dieser Phase liefert der Regler so viel Ladestrom wie möglich, um die Batterien schnell aufzuladen.

Konstantspannung

Wenn die Batteriespannung die Einstellung für die Konstantspannung erreicht, wechselt der Regler in den Modus Konstantspannung. Treten nur schwache Entladungen auf, wird die Konstantspannungszeit kurz gehalten, um ein Überladen der Batterie zu vermeiden. Nach einer Tiefentladung wird die Konstantspannungsphase automatisch verlängert, um sicherzustellen, dass die Batterie vollständig auflädt. Die Konstantspannungsphase wird beendet, sobald der Ladestrom auf unter 2A sinkt.

Ladeerhaltung

Während dieser Phase liegt Ladeerhaltungsspannung an der Batterie an, um sie im voll geladenen Zustand zu erhalten.

Zellenausgleich

Siehe Abschnitt 3.12.

Konfiguration und Überwachung

Konfigurieren Sie den Solarladeregler mit der VictronConnect-App. Verfügbar für iOS- und Android-Geräte; sowie MacOS- und Windows-Computer. Möglicherweise ist ein Zubehörteil erforderlich. Geben Sie *victronconnect* in das Suchfeld auf unserer Website ein und finden Sie auf der VictronConnect-Downloadseite weitere Informationen.

Verwenden Sie für eine einfache Überwachung die MPPT-Steuerung. Ein einfaches und dennoch effektives Panel-Display, das alle Betriebsparameter anzeigt. Die vollständige Systemüberwachung, einschließlich der Protokollierung in unserem Online-Portal VRM, erfolgt mithilfe der GX-Produktreihe.



MPPT Control



Color Control



Venus GX

EN

NL

FR

DE

ES

SE

Appendix

2. WICHTIGE SICHERHEITSHINWEISE

BEWAHREN SIE DIESE HINWEISE AUF - Dieses Handbuch enthält wichtige Hinweise, die bei der Installation und Wartung zu befolgen sind.



Explosionsgefahr bei Funkenbildung

Gefahr durch Stromschläge

- Es wird empfohlen, dieses Handbuch vor der Installation und Inbetriebnahme des Produktes sorgfältig zu lesen.
- Dieses Produkt wurde in Übereinstimmung mit entsprechenden internationalen Normen und Standards entwickelt und erprobt. Nutzen Sie das Gerät nur für den vorgesehenen Anwendungsbereich.
- Installieren Sie das Gerät in brandsicherer Umgebung. Stellen Sie sicher, dass keine brennbaren Chemikalien, Kunststoffteile, Vorhänge oder andere Textilien in unmittelbarer Nähe sind.
- Das Gerät darf ohne Wire Box nicht an einem frei zugänglichen Ort installiert werden.
- Stellen Sie sicher, dass das Gerät entsprechend den vorgesehenen Betriebsbedingungen genutzt wird. Betreiben Sie das Gerät niemals in nasser Umgebung.
- Benutzen Sie das Gerät nie in gasgefährdeten oder staubbelasteten Räumen (Explosionsgefahr).
- Stellen Sie sicher, dass um das Gerät herum stets ausreichend freier Belüftungsraum vorhanden ist.
- Klären Sie mit dem Batteriehersteller, ob das Gerät mit der vorgesehenen Batterie betrieben werden kann. Beachten Sie stets die Sicherheitshinweise des Batterieherstellers.
- Schützen Sie die Solarmodule während der Installation vor Lichteinstrahlung, z. B. indem Sie sie abdecken.
- Berühren Sie niemals unisolierte Kabelenden.
- Verwenden Sie nur isolierte Werkzeuge.
- Anschlüsse müssen stets in der in Abschnitt 3.4 beschriebenen Reihenfolge vorgenommen werden.
- Ist keine Wire Box vorhanden, muss der Installateur des Produktes für eine Vorkehrung zur Kabelzugentlastung sorgen, damit die Anschlüsse nicht belastet werden.
- Zusätzlich zu diesem Handbuch, muss das Anlagenbetriebshandbuch oder das Wartungsbuch ein Batterie-Wartungsbuch für den verwendeten Batterietyp enthalten.

- Verwenden Sie flexible, mehradrige Kupfer-Kabel für die Batterie und die PV-Anschlüsse
Der Durchmesser der einzelnen Adern darf höchstens 0,4 mm/0,125 mm² (0,016 Zoll/AWG26) betragen.

Ein Kabel mit einem Durchmesser von 25 mm² sollte zum Beispiel mindestens aus 196 Adern bestehen (Kabelverfeilung der Klasse 5 oder höher gemäß VDE 0295, IEC 60228 und BS6360).
Ein AWG2-Kabel sollte mindestens eine 259/26-Kabelverfeilung haben (259 Adern mit AWG26).

Maximale Betriebstemperatur: $\geq 90^{\circ}\text{C}$.

Beispiel für ein geeignetes Kabel: "Tri-rated"-Kabel der Klasse 5 (es verfügt über dreierlei Anerkennungen: durch die amerikanische Organisation UL, die kanadische Normungsorganisation CSA und die britische Normungsorganisation BS).

Bei dickeren Adern ist der Kontaktbereich zu klein und der daraus resultierende hohe Kontaktwiderstand verursacht eine starke Überhitzung, die sogar Feuer verursachen kann.



- Maximaler Strom durch einen MC4-Anschluss: 30 A
- Die Erdungsklemme befindet sich im Kabelfach und ist durch das folgende Symbol gekennzeichnet:



Ground Symbol

3. Installation

WARNHINWEIS: DC EINGANG NICHT VON BATTERIESTROMKREIS ISOLIERT

ACHTUNG: FÜR DIE RICHTIGE TEMPERATURKOMPENSATION DARF DIE UMGEBUNGSBEDINGUNG FÜR LADEGERÄT UND BATTERIE NICHT MEHR ALS 5°C ABWEICHEN.

3.1. Allgemeines

- Montieren Sie das Gerät vertikal auf einem feuersicheren Untergrund, die Stromanschlüsse müssen dabei nach unten zeigen. Achten Sie bitte darauf, dass unter und über dem Produkt mindestens 10 cm Platz gelassen wird, um eine optimale Kühlung zu gewährleisten.

- Montieren Sie es in der Nähe der Batterie, jedoch niemals direkt über der Batterie (um Schäden durch Gasentwicklung an der Batterie zu vermeiden).

- Eine ungenaue interne Temperaturkompensation (z. B. die Umgebungsbedingung der Batterie und des Ladegerätes weichen mehr als 5°C ab) kann die Lebensdauer der Batterie reduzieren.

Wir empfehlen die Verwendung einer Gleichspannungsquelle (BMV, Smart Battery Sense oder GX-Gerät), wenn größere Temperaturunterschiede oder extreme Umgebungstemperaturen erwartet werden können.

- Die Installation der Batterie muss in Einklang mit den für Speicherbatterien geltenden Bestimmungen des Canadian Electrical Code (kanadisches Gesetzbuch über Elektroinstallationen), Teil I erfolgen.

- Die Batterieanschlüsse (und für die Tr Version ebenso die PV-Anschlüsse) müssen vor versehentlichem Kontakt geschützt werden (z. B. in dem man sie in einem Gehäuse installiert oder die optionale WireBox anbringt).

Tr-Modelle: Verwenden Sie flexible, mehradrige Kupfer-Kabel für die Batterie und die PV-Anschlüsse. Beachten Sie hierzu die Sicherheitshinweise.

MC4-Modelle: Möglicherweise werden mehrere Paar Splitter benötigt, um die Stränge der Solarmodule parallel zu schalten. Maximaler Strom durch einen MC4-Anschluss: 30 A.

3.2 Erdung

- *Erdung der Batterie:* das Ladegerät kann in einem positiv- oder negativ geerdeten System installiert werden.

Hinweis: verwenden Sie nur eine einzige Erdungsverbindung, um eine Fehlfunktion des Systems zu verhindern.

- *Gehäuseerdung:* Ein separater Erdungspfad für die Gehäuseerdung ist zulässig, da dieser von Plus- und Minus-Anschluss isoliert ist.

- Die amerikanische Sicherheitsnorm NEC schreibt die Verwendung eines externen Erdschlussschutzes (GFPD) vor. MPPT Ladegeräte verfügen nicht über einen internen Erdschlussschutz. Der elektrische Minuspol des Systems sollte über einen GFPD an einem (und nur an einem) Ort mit der Erde verbunden werden.

- Das Ladegerät darf nicht mit geerdeten PV-Anlagen verbunden werden. (Nur ein Erdungsanschluss.)



- Die Plus- und Minus-Anschlüsse der PV-Anlage sollten nicht geerdet sein. Erden Sie den Rahmen der PV-Module, um die Auswirkungen eines Blitzzeinschlages zu reduzieren.

WARNHINWEIS: WIRD EIN ERDUNGSFEHLER ANGEZEIGT; SIND DIE BATTERIEANSCHLÜSSE UND ANGESCHLOSSENEN STROMKREISE MÖGLICHERWEISE NICHT GEERDET UND GEFÄHRLICH.

3.3 PV-Konfiguration (beachten Sie auch das MPPT Excel-Formular auf unserer Website)

- Sorgen Sie für eine Möglichkeit, um alle stromführenden Leiter einer Photovoltaik-Stromquelle von allen anderen Leitern in einem Gebäude oder einer Konstruktion zu trennen.
- Ein Schalter, Stromunterbrecher oder eine andere Vorrichtung, egal ob nun AC oder DC, darf in einem geerdeten Leiter nicht installiert werden, wenn der Betrieb dieses Schalters, Stromunterbrechers oder des anderen Gerätes den geerdeten Leiter in einem nicht geerdeten Zustand belässt, während das System noch unter Spannung steht.
- Der Regler ist nur dann in Betrieb, wenn die PV-Spannung größer ist als die Batteriespannung (V_{bat}).
- Die PV-Spannung muss mindestens die Höhe von $V_{bat} + 5V$ erreichen, damit der Regler den Betrieb aufnimmt. Danach liegt der Mindestwert der PV-Spannung bei $V_{bat} + 1V$.
- Maximale PV-Leerspannung: 150V oder 250V, je nach Modell

Zum Beispiel:

24 V Batterie und mono- bzw. polykristalline Paneele, max. PV-Spannung 150V

- Mindestanzahl der in Reihe geschalteten Zellen: 72 (2x 12 V-Paneele in Serie oder ein 24V Paneel).
- Empfohlene Zellenanzahl für den höchsten Wirkungsgrad des Reglers: 144 Zellen (4x 12V Paneele oder 2x 24V Paneele in Reihe).
- Maximum: 216 Zellen (6x 12V oder 3x 24V Paneele in Reihe).

48V Batterie und mono- bzw. polykristalline Paneele, max. PV-Spannung 250V

- Mindestanzahl der in Reihe geschalteten Zellen: 144 (4x 12V Paneele oder 2x 24V Paneele in Reihe).
- Maximum: 360 Zellen (10x 12V oder 5x 24V Paneele in Reihe)

Hinweis: bei niedrigen Temperaturen kann die Leerlaufspannung einer 216 Zellen Solaranlage 150V übersteigen und die Leerlaufspannung einer 360 Zellen Solaranlage kann sogar 250 V überschreiten. Dies ist abhängig von den Bedingungen vor Ort und den technischen Bedingungen der Zellen. In diesem Fall ist die Anzahl der in Reihe geschalteten Zellen zu verringern.

3.4 Reihenfolge des Kabelanschlusses (s. Abb. 1)

Erstens: Anschließen der Batterie.

Zweitens: sofern erforderlich, die ferngesteuerte Ein-/Aus-Schaltung und das programmierbare Relais anschließen

Drittens: Anschließen der Solaranlage (bei verpoltem Anschluss wird der Regler warm, lädt jedoch nicht die Batterie).

Drehmoment: 2,4 nm.

3.5 Ferngesteuerte Ein-/Aus-Schaltung

Der linke Anschluss ist an die interne 3,3 V Versorgung angeschlossen. Dabei ist ein Widerstand in Serie geschaltet, um vor Kurzschlüssen zu schützen.

Der rechte Anschluss (mit + oder mit H markiert) schaltet den Regler ein, wenn >3 V anliegen und schaltet den Regler wieder aus, wenn <2 V anliegen bzw., wenn der Anschluss im Zustand 'free floating' (offener Stromkreis) belassen wird.

Die empfohlene Nutzung der ferngesteuerten Ein-/Aus-Schaltung ist wie folgt:

- Ein zwischen den Pins L und H verkabelter Schalter
- Ein zwischen dem Pluspol der Batterie und dem Pin H verkabelter Schalter.
- Ein zwischen dem Pin L und dem Anschluss zum Trennen des Ladevorgangs eines VE.BUs BMS verkabelter Schalter.

3.6 CAN-Bus-Schnittstelle

Das Ladegerät ist mit zwei CAN-Bus RJ45 Buchsen ausgestattet.

Der CAN-Bus an diesem Ladegerät ist nicht galvanisch getrennt. Der CAN-Bus greift auf den Minusanschluss der Batterie zu.

Die CAN-Bus-Schnittstelle wird an die Erdung verwiesen, wenn der Minuspol der Batterie geerdet ist. Bei einem positiv geerdeten System wird ein CAN-Isolationsmodul benötigt, um die CAN-Bus-Schnittstelle an die Erdung zu verweisen.

Das Ende eines CAN-Kabels sollte über einen Bus-Abschlusswiderstand verfügen. Dies erreicht man, indem in einen der beiden RJ45 Stecker ein Bus-Abschlusswiderstand und das CAN-Kabel in den anderen Stecker eingefügt werden. Bei einem Netzknoten (zwei CAN-Kabel, eines in jedem RJ45 Stecker) wird kein Abschlusswiderstand benötigt.

Versorgungsspannung (V+ Versorgung): 9 V/-70 V

Maximaler Versorgungsstrom: 500 mA

Datenübertragungsrate: 250 kbps

CANH/CANL Spannungstoleranz: -70V DC

CAN Sendeempfänger ISO Vorgabe: ISO 11898-2:2016

Um maximale Flexibilität zu bieten, wird die Batteriespannung für die V+ Versorgungslinie von VE.CAN verwendet. Das bedeutet, dass alle Geräte, die an VE.CAN angeschlossen sind, für die Batterie eine permanente Last darstellen.

3.7 Synchronisierter Parallelbetrieb

Hinweis: Software noch nicht verfügbar, voraussichtlich bis zum 3. Quartal 2019 erhältlich.

Es lassen sich mehrere Lade-Regler mit der CAN-Schnittstelle synchronisieren. Das geht ganz einfach durch die Verbindung der Ladegeräte untereinander über RJ45 UTP Kabel (Bus-Abschlusswiderstände sind erforderlich, siehe Abschnitt 3.6). Die parallel geschalteten Lade-Regler müssen identische Einstellungen haben (z.B. Ladealgorithmen). Die CAN-Datenübertragung stellt sicher, dass die Regler gleichzeitig von einem Ladezustand in einen anderen umschalten (z. B. von Konstantstromphase auf Konstantspannungsphase). **Jedes Gerät regelt seinen eigenen Ausgangsstrom (das sollte so sein).** Dieser hängt u. a. vom Ausgang einer jeden PV-Anlage und dem Kabelwiderstand ab.

Bei einem synchronisierten Parallelbetrieb blinkt alle 3 Sekunden bei allen parallel geschalteten Geräten das Netzwerksymbol.

Die PV-Eingänge sollten nicht parallel angeschlossen werden. Jeder Lade-Regler muss an seine eigene PV-Anlage angeschlossen werden.

3.8 Energie-Speicherungs-System (ESS):

Ein Energie-Speicherungs-System (ESS) ist eine bestimmte Art von Energiesystem, welches eine Netzstromverbindung mit einem Victron Wechselrichter-/Ladegerät, eine Venus-Gerät und einem Batteriesystem verbindet. Tagsüber speichert es Solarenergie in der Batterie, um diese dann später zu nutzen, wenn die Sonne nicht mehr scheint.

In folgendem Handbuch können Sie mehr über das Einrichten eines ESS erfahren: <https://www.victronenergy.com/live/ess:start>

EN

NL

FR

DE

ES

SE

Appendix

3.9 Konfigurieren des Reglers mithilfe des Drehknopfes

Vollständig programmierbarer Ladealgorithmus (beachten Sie auch die Software-Seite auf unserer Website) sowie acht vorprogrammierte Lade-Algorithmen, die sich über einen Drehknopf auswählen lassen.

Pos.	Empfohlener Batterietyp	Absorption V	Ladeer- haltungs- V	Ausgleich V @% _{U_{nom}}	dV/dT mV/°C
0	Gel Victron Long Life (OPzV) Gel Exide A600 (OPzV) Gel MK	28,2	27,6	31,8 @8 %	-32
1	Gel Victron Deep Discharge Gel Exide A200 AGM Victron Deep Discharge Stationäre Röhrenplattenbatterie (OPzS)	28,6	27,6	32,2 @8 %	-32
2	Standardeinstellungen Gel Victron Deep Discharge Gel Exide A200 AGM Victron Deep Discharge Stationäre Röhrenplattenbatterie (OPzS)	28,8	27,6	32,4 @8 %	-32
3	AGM Spiralzellen Stationäre Röhrenplattenbatterie (OPzS) Rolls AGM	29,4	27,6	33,0 @8 %	-32
4	PzS-Röhrenplatten-Traktions- Batterien oder OPzS-Batterien	29,8	27,6	33,4 @25 %	-32
5	PzS-Röhrenplatten-Traktions- Batterien oder OPzS-Batterien	30,2	27,6	33,8 @25 %	-32
6	PzS-Röhrenplatten-Traktions- Batterien oder OPzS-Batterien	30,6	27,6	34,2 @25 %	-32
7	Lithium-Eisenphosphat- Batterien (LiFePO ₄)	28,4	27,0	entfällt	0

Hinweis 1: bei einem 12V-System alle Werte durch zwei teilen und bei einem 48V-System mit zwei multiplizieren.

Hinweis 2: Ausgleich normalerweise aus, siehe Abschn. 3.9 zur Aktivierung.

(Bei VRLA Gel und AGM keinen Zellenausgleich durchführen.)

Hinweis 3: Jede Änderung der Einstellungen, die mit dem einsteckbaren LCD-Display oder per Bluetooth gemacht wird, hebt die Einstellungen des Drehknopfes auf. Durch Drehen des Drehknopfes werden die vorherigen Einstellungen, die mit dem einsteckbaren LCD-Display oder per Bluetooth gemacht wurden, aufgehoben.

Ein binärer LED-Code hilft bei der Bestimmung der Position des Drehknopfes..

Nach Änderung der Drehknopfposition blinken die LED-Lampen für 4 Sekunden wie folgt:

Schalte Position	LED Bulk: Konstantstrom-Phase	LED Konstantspannung	LED Ladeerhaltungs	Blinkfrequenz
0	1	1	1	schnell
1	0	0	1	langsam
2	0	1	0	langsam
3	0	1	1	langsam
4	1	0	0	langsam
5	1	0	1	langsam
6	1	1	0	langsam
7	1	1	1	langsam

Danach wird eine normale Anzeige fortgesetzt, wie im Abschnitt über die LEDs beschrieben.

3.10 LED-Lampen

LED-Anzeige:

- leuchtet ununterbrochen
- ◎ blinkt
- aus

Regulärer Betrieb

LEDs:	Bulk: Konstantstrom-Phase	Konstantspannung	Ladeerhaltungsmodus
Es wird nicht geladen (*1)	◎	○	○
Bulk: Konstantstrom-Phase	●	○	○
Konstantspannung	○	●	○
Manueller Zellenausgleich (abwechselndes Blinken)	◎	◎	○
Automatischer Zellenausgleich	○	●	●
Float: Ladeerhaltungsmodus	○	○	●

Anmerkung (*1): Die Konstantstrom-LED (Bulk) blinkt alle 3 Sekunden kurz auf, wenn das System mit Strom versorgt wird, jedoch nicht ausreichend Strom vorhanden ist, um den Ladevorgang zu beginnen.

Fehlersituationen

LEDs:	Bulk: Konstantstrom- Phase	Konstant- spannung	Lade- erhal- tungsm odus
Ladegerät- Temperatur zu hoch	○	○	⊙
Überstrom am Ladegerät	⊙	○	⊙
Überspannung am Ladegerät oder dem Solarmodul	○	⊙	⊙
VE Smart-Netzwerk- oder BMS-Problem	○	⊙	○
Interner Fehler (*2)	⊙	⊙	○

Anmerkung (*2): z. B. Verlust der Kalibrierungs- und/oder Einstellungsdaten, Problem mit dem Stromsensor

3.11 Informationen zum Laden der Batterie

Der Lade-Regler beginnt jeden Morgen bei Sonnenschein einen neuen Lade-Zyklus.

Blei-Säure-Batterien: Standardmethode zur Bestimmung von Länge und Ende der Absorption

Das Ladealgorithmusverhalten von MPPTs unterscheidet sich von dem von AC angeschlossenen Batterieladegeräten. Bitte lesen Sie diesen Abschnitt des Handbuchs sorgfältig durch, um das Verhalten von MPPT zu verstehen, und befolgen Sie immer die Empfehlungen Ihres Batterieherstellers.

Standardmäßig wird die Konstantspannungszeit bei Leerlaufspannung der Batterie zu Beginn eines jeden Tages anhand der folgenden Tabelle bestimmt:

Batteriespannung VB (beim Startup)	Multiplikator	Maximale Konstantspannungszeit
$V_b < 11,9V$	x 1	6h
$11,9V < V_b < 12,2V$	x 2/3	4h
$12,2V < V_b < 12,6V$	x 1/3	2h
$V_b > 12,6V$	x 1/6	1h

(12V-Werte, einstellbar für 24V)

Der Aufnahmezeitähler beginnt nach dem Umschalten von Bulk auf Absorption.

Die MPPT Solarladegeräte beenden auch die Absorption und schalten auf Floating um, wenn der Batteriestrom unter einen Schwellenwert für einen niedrigen Strom, den "Schweifstrom", fällt.

Der voreingestellte Schweifstromwert ist 2 A.

Bei Modellen mit Lastausgang wird der Strom an den Batterieklemmen und bei größeren Modellen der Strom an den Ausgangsklemmen verwendet. Die Standardeinstellungen (Spannungen, Aufnahmezeitmultiplikator und Schweifstrom) können mit der Victronconnect App über Bluetooth oder über VE.Direct geändert werden.

Es gibt zwei Ausnahmen vom Normalbetrieb:

1. Bei Verwendung in einem ESS-System ist der Algorithmus des Solarladegeräts deaktiviert und folgt stattdessen der vom Wechselrichter/Ladegerät vorgegebenen Kurve.
2. Für CAN-Bus-Lithium-Batterien, wie BYD, sagt die Batterie dem System, einschließlich des Solarladegeräts, welche Ladespannung verwendet werden soll. Diese Ladespannungsbegrenzung (CVL) ist für einige Batterien sogar dynamisch; ändert sich im Laufe der Zeit; basierend zum Beispiel auf der maximalen Zellenspannung im Paket und anderen Parametern.

Abweichungen vom erwarteten Verhalten

1. Pausieren des Absorptionszeitzählers

Der Absorptionszeitzähler startet bei Erreichen der konfigurierten Absorptionsspannung und pausiert, wenn die Ausgangsspannung unter der konfigurierten Absorptionsspannung liegt.

Ein Beispiel dafür, wann dieser Spannungsabfall auftreten könnte, ist, wenn die PV-Leistung (aufgrund von Wolken, Bäumen, Brücken) nicht ausreicht, um die Batterie aufzuladen und die Verbraucher zu betreiben.

Wenn der Absorptionstimer angehalten wird, blinkt die Absorptions-LED sehr langsam.

2. Neustart des Ladevorgangs

Der Ladealgorithmus wird zurückgesetzt, wenn der Ladevorgang für eine Stunde unterbrochen wurde. Dies kann auftreten, wenn die PV-Spannung aufgrund von schlechtem Wetter, Schatten oder ähnlichem unter die Batteriespannung fällt.

3. Der Akku wird vor Beginn der Solarladung geladen oder entladen

Die automatische Aufnahmezeit basiert auf der Spannung der Startbatterie (siehe Tabelle). Diese Abschätzung der Aufnahmezeit kann falsch sein, wenn eine zusätzliche Ladequelle (z.B. Lichtmaschine) oder eine Belastung der Batterien vorliegt.

Dies ist ein inhärentes Problem des Standardalgorithmus. In den meisten Fällen ist sie jedoch immer noch besser als eine feste Aufnahmezeit, unabhängig von anderen Ladequellen oder dem Batteriezustand.

Es ist möglich, den standardmäßigen Algorithmus der Aufnahmezeit zu überschreiben, indem bei der Programmierung des Solarladereglers eine feste Aufnahmezeit eingestellt wird. Beachten Sie, dass dies zu einer Überladung der Batterien führen kann. Die empfohlenen Einstellungen finden Sie bei Ihrem Batteriehersteller.

4. Absorptionszeit bestimmt durch den Schweifstrom

In einigen Anwendungen kann es vorzuziehen sein, die Resorptionszeit nur auf der Grundlage des Schweißstroms zu beenden. Dies kann durch Erhöhen des Standard-Absorptionszeitmultiplikators erreicht werden. (Warnung: Der Schweißstrom von Blei-Säure-Batterien sinkt nicht auf Null, wenn die Batterien vollständig geladen sind, und dieser "verbleibende" Schweißstrom kann mit zunehmendem Alter der Batterien erheblich ansteigen.)

Standardeinstellung, LiFePO4-Akkus

LiFePO4-Akkus müssen nicht vollständig geladen sein, um einen vorzeitigen Ausfall zu vermeiden.

Die Standardeinstellung der Absorptionsspannung ist 14,2V (28,4V).

Und die Standardeinstellung der Aufnahmezeit ist 2 Stunden.

Standardeinstellung des Floats: 13,2V (26,4V).

Diese Einstellungen sind einstellbar.

Zurücksetzen des Ladealgorithmus:

Die Standardeinstellung für den Neustart des Ladezyklus ist $V_{batt} < (V_{float} - 0,4V)$ für Blei-Säure und $V_{batt} < (V_{float} - 0,1V)$ für LiFePO4-Akkus, während 1 Minute.

(Werte für 12V-Batterien, bei 24V mit zwei multiplizieren)

3.12 Automatischer Zellenausgleich

Der automatische Zellenausgleich ist standardmäßig auf "OFF" (aus) eingestellt. Mit der Victron Connect-App (siehe Abschnitt 1.9) kann diese Einstellung mit einer Zahl zwischen 1 (jeden Tag) und 250 (einmal alle 250 Tage) konfiguriert werden.

Ist der automatische Zellenausgleich aktiviert, folgt auf die Konstantspannungsphase eine Phase mit spannungsbegrenztem Konstantstrom. Dieser Strom ist für den werksseitig eingestellten Batterietyp auf 8% oder 25% des Konstantstroms. Der Konstantstrom ist der Ladenennstrom, es sei denn, es wurde eine niedrigere Einstellung für den Maximalstrom gewählt.

Bei Verwendung einer Einstellung mit 8% Strombegrenzung endet der automatische Ausgleich bei Erreichen der Spannungsgrenze oder nach 1 Stunde, je nachdem, was zuerst eintritt.

Weitere Einstellungen: Der automatische Ausgleich endet nach 4 Stunden. Wenn der automatische Ausgleich nicht innerhalb eines Tages vollständig abgeschlossen ist, wird er am nächsten Tag nicht wieder aufgenommen, die nächste Ausgleichssitzung findet statt, wie durch das Tagesintervall bestimmt.

3.13 Einsteckbares LCD Display - Live-Daten

Entfernen Sie die Gummidichtung, die den Stecker an der Vorderseite des Reglers schützt, und stecken Sie das Display-Modul ein. Das Display ist hot-swap-fähig, das heißt, dass das Ladegerät beim Einstecken des Displays in Betrieb sein kann.



Folgende Angaben werden angezeigt, wenn die Taste "-" betätigt wird (in der Reihenfolge ihrer Anzeige):

Angezeigte Info	Symbole	Segmente	Einheiten
Batteriespannung und Ladestrom		28,8	50 A
Batterie-Ladestrom			50,0 A
Batteriespannung			28,80 V
Batterieladeleistung			120,0 W
Batterie-Temperatur ⁽¹⁾		25,0,---,Err	°C/°F
Temperatur Ladegerät ⁽¹⁾		25,0,---,Err	°C/°F
Strom Paneel			8,6 A
Spannung Paneel			85,0 V
Leistung Paneel			135,0 W
Warmmeldungen ⁽²⁾		1 nF	65
Fehlermeldungen ⁽²⁾		Err	2
REMOTE Betrieb ⁽²⁾		rE:0tE	
Betrieb BMS ⁽²⁾		b:5	

Hinweise:

- 1) Es wird eine gültige Temperatur angezeigt , --- = keine Daten vom Sensor oder Err = ungültige Daten vom Sensor.
- 2) Diese Angaben werden nur angezeigt, wenn sie relevant sind.

Durch Betätigen der Taste "-" bzw. der Taste "+" für 4 Sekunden, wird der automatische Bilddurchlaufmodus aktiviert. Es werden dann nacheinander in kurzen Intervallen sämtliche LCD-Bildschirme angezeigt. Der automatische Bilddurchlaufmodus lässt sich durch kurzes Betätigen der Taste "-" oder "+" stoppen.

3.14 Einsteckbares LCD Display - Verlaufs-Daten

Der Laderegler verfolgt mehrere Parameter hinsichtlich des Energieertrags. Sie gelangen zu den Verlaufsdaten, indem Sie im Überwachungs-Modus die Taste SELECT betätigen. Dann wird ein Lauftext angezeigt. Betätigen Sie + oder -, um durch die verschiedenen Parameter zu blättern so wie in der folgenden Tabelle angegeben. Durch Betätigen der Taste SELECT wird das Blättern angehalten und der entsprechende Wert angezeigt. Betätigen Sie die Taste + oder -, um zwischen den verschiedenen Werten hin- und herzuschalten. Für die täglichen Angaben ist es möglich bis zu 30 Tage zurückzublätern (Die Daten werden mit der Zeit verfügbar), ein kurzes Popup-Fenster zeigt die Tageszahl. Um das Verlaufsdatenmenü zu verlassen und zurück in das Überwachungsmenü zu gelangen, die Taste SELECT betätigen. Alternativ können Sie auch durch Betätigen der Taste SETUP zum Lauftext zurückkehren:

Lauftext	Symbole ⁽¹⁾	Segmente	Einheiten	Angezeigte Info
yi EL d t DERL			258,0	kWh Gesamtertrag
LAsE ErrD-		E0	2	Gesamtsumme Fehler 0 (aktuellster)
		E1	0	Gesamtsumme Fehler 1 (angezeigt, wenn verfügbar)
		E2	0	Gesamtsumme Fehler 2 (angezeigt, wenn verfügbar)
		E3	0	Gesamtsumme Fehler 3 (angezeigt, wenn verfügbar)
PRrEL uDLtRBE rAHr rU:		U	95,0	V Max. Gesamtwert Paneel-Spannung
bArEtErY uDLtRBE rAHr rU:		H	28,8	V Max. Gesamtwert Batteriespannung
yi EL d		Y	8,6	kWh Tag Täglicher Ertrag
bArEtErY uDLtRBE rAHr rU:		H	28,8	V Tag Maximalwert tägliche Batteriespannung
bArEtErY uDLtRBE rAHr rU:		L	25,0	V Tag Minimalwert tägliche Batteriespannung
LAsE ErrD-		E0	2	Tag Täglicher Fehler 0 (aktuellster)
		E1	0	Tag Täglicher Fehler 1 (angezeigt, wenn verfügbar)

Lauftext	Symbole (1)	Segmente	Einheiten	Angezeigte Info
		E2 0	Tag	Täglicher Fehler 2 (angezeigt, wenn verfügbar)
		E3 0	Tag	Täglicher Fehler 3 (angezeigt, wenn verfügbar)
tE tE bULH		tE 60	Tag	Tägliche verbrachte Zeit in Konstantstromphase oder ESS (Minuten)
tE tE Ab50-PtE On		tE 30	Tag	Tägliche verbrachte Zeit in Konstantspannungsphase (Minuten)
tE tE F.LDRt		tE 630	Tag	Tägliche verbrachte Zeit in Ladeerhaltungsspannungsphase (Minuten)
tAHt tUt PDLtE		P 735	W Tag	Maximalwert tägliche Leistung
bAbtEtY CUrEtE tAHt tUt		C 50,0	A Tag	Tages-Maximalwert Batteriestrom
PAnEL tDLtAGE tAHt tUt		U 95,0	V Tag	Tages-Maximalwert Panel-Spannung

Hinweis:

Wenn das Ladegerät nicht aktiv ist (in der Nacht), werden die Symbole für 'Bulk', 'Absorption' und 'Float' wie in der obigen Tabelle angezeigt.

Wenn das Ladegerät in Betrieb ist, wird nur ein Symbol angezeigt: Das zu dem aktuellen Ladezustand gehörende Symbol.

3.15 Einsteckbares LCD Display - Set-up-Menü

- Um in das SETUP- Menü zu gelangen, halten Sie die Taste SETUP 3 Sekunden lang gedrückt. Das Symbol "Menu" leuchtet dann auf und ein Lauftext wird angezeigt.
- Betätigen Sie zum Durchblättern der Parameter die Taste "-" oder "+".
- Die Tabelle weiter unten führt in der Reihenfolge der Anzeige sämtliche Parameter auf, die durch Betätigen der Taste "-" eingestellt werden können.
- Betätigen Sie die Taste SELECT: Der zu bearbeitende Parameter beginnt nun zu blinken.
- Mithilfe der Tasten "-" und "+" wählen Sie nun den gewünschten Wert.
- Zur Bestätigung der Änderung betätigen Sie die Taste SELECT. Der Wert hört dann auf zu blinken und die Änderung wird übernommen.
- Durch Betätigen der Taste SETUP kehren Sie in das Parameter Menü zurück. Mit den Tasten "-" und "+" kann nun zum nächsten Parameter weitergeblättert werden, der geändert werden muss.
- Um in den normalen Modus zurückzukehren, halten Sie die Taste SETUP 3 Sekunden lang gedrückt.

Lauftext	Symbole	Segmente	Einheiten	Funktion bzw. Parameter
01 PDLtE On OFF	Menu		On, OFF	Ein-/Aus-Schalter
02 tAHt tUt CAr9E CUrEtE	Menu		1,0-100,0	A Maximaler Lade-Strom
03 bAbtEtY tDLtAGE	Menu		12-18	V Systemspannung
04 CAr9E AL90-tEt	Menu		0,7-05E	Typ Ladealgorithmus (1)
05 Ab50-PtE On tDLtE 9E	Menu		16,0-20,8-34,8	V Konstantspannung (2)
06 FLDRt tDLtAGE	Menu		16,0-21,6-34,8	V Erhaltungsspannung (2)
08 EQULt 2RtE On tDLtAGE	Menu	Equalize	16,0-32,4-34,8	V Ausgleichsspannung (2)
09 tDLtAGE 1 C EQULt 2RtE On	Menu	Equalize	OFF, Rubo	Automatischer Zellenausgleich (3)
10 tAHt tUt EQULt 2RtE 1 On	Menu	Equalize	5tArt, StOp	Manueller Zellenausgleich (4)
11 tELAY tDDE	Menu		tEL. OFF, 1-3-10	Relais-Funktion (5)
12 tELAY 1,0' tDLtAG E	Menu		Lb 16,0-20,0-34,8	V Alarm niedrige Batteriespannung einstellen



Lauftext	Symbole	Segmente	Einheiten	Funktion bzw. Parameter
13 rELAY CLERr LD: uDLtRGE	Menu ☐	Lbc 16.0-21.0-34.8	V	Alarm niedrige Batteriespannung löschen
14 rELAY HI 9h uDLtRGE	Menu ☐	Hb 16.0-33.0-34.8	V	Alarm hohe Batteriespannung einstellen
15 rELAY CLERr HI 9h uDLtRGE	Menu ☐	Hbc 16.0-32.0-34.8	V	Alarm hohe Batteriespannung löschen
16 rELAY HI 9h PAnEL uDLtRGE	Menu ☐	U 1.0-15.0	V	Alarm hohe Paneelspannung einstellen
17 rELAY CLERr HI 9h PAnEL uDLtRGE	Menu ☐	Uc 1.0-19.0-15.0	V	Alarm hohe Paneelspannung löschen
18 rELAY rI nI rUg: cL OSEd tI tZE	Menu ☐	rTc 0-500		Mindestzeit Relais geschlossen (Minuten)
20 tEtPErALUrE cDTP EnSRtE On	Menu ☐	-5.0-2.7-0.0	°C mV	Batterietemperaturkompensation pro Zelle (2)
21 tRrL CUrREnt	Menu ☐	0.0-2.0-100.0	A	Schwanzstrom
23 rAh rUg: RbSO-PbI On tI tZE	Menu ☐	1.0-5.0-24.0	h	Konstantspannungsdauer
28 rEbULH OFFSEt uDLtRGE	Menu ☐	0.0-1.0-10-5.20	V	Offsetspannung Re-bulk (abgezogen von der Einstellung 6)
29 LD: tEtPErALUrE CHArGE CUrREnt	Menu ☐	0.0-100.0	A	Max. Ladestrom unterhalb dem Schwellw. Temperatur niedrig (Punkt 30)
30 LD: tEtPErALUrE LEuEL	Menu ☐	-10.0-5-10.0	°C	Schwellwert Temperatur niedrig (für Punkt 29)
31 bT5 PrESEnt	Menu	bT5 4,n		BMS vorhanden (6)
35 LDAd rDdE	Menu	LDAd 0-1-5		Lastregelung (7)
36 LDAd LD: uDLtRGE	Menu	LL 16.0-20.0-34.8		Nutzerdefinierte Niederspannung Last
37 LDAd HI 9h uDLtRGE	Menu	Lh 16.0-28.0-34.8		Nutzerdefinierte Hochspannung Last
40 rAh rUg: EQUrLI 2R tI On tI tZE	Menu ☐ Equalize	1.0-4.0-24.0	h	Maximale Zeit für den automatischen Ausgleich
41 EQUrLI 2RtE On AuB O StOP	Menu ☐ Equalize	4,n		Der Ausgleich stoppt, wenn die Spannung (Einstellung 8) erreicht ist
42 EQUrLI 2RtE On CUrREnt PErCEntRGE	Menu ☐ Equalize	0-25-100		Aktueller Ausgleichsprozentsatz (Prozentsatz von Einstellung 2)
49 bACHLI 9H: I nEtEnS I tEY	Menu	0-1		Helligkeit Hintergrundbeleuchtung
50 bACHLI 9H: AL: rAS On	Menu	OFF, On, AuB		Hintergrundbeleuchtung automatisch nach 60 s ausschalten (8)
51 SCrQLL SPEEd	Menu	1-3-5		Geschwindigkeit Lauftext
57 rH rDdE	Menu ☐	rH 0-3		VE.Direct Port RX Pin Modus (9)
58 tH rDdE	Menu ☐	tH 0-4		VE.Direct Port TX Pin Modus (10)
59 CRn AddrESS	Menu ☐	rA 0-255		VE.Can Netzwerk-Adresse
60 CRn dEulCE I nStAr nCE	Menu ☐	dI 0-255		VE.Can Geräte-Instanz
61 SOFt: rArE uErSt On	Menu	1, 0		Software-Version
62 rESEt: rE dEFrAuL tS	Menu	rESEt		Zurücksetzen auf die Standardeinstellungen (1)
63 CLERr HI StOrY	Menu	CLERr		Zurücksetzen der Verlaufsdaten (12)
64 LOCH SEtUP	Menu	LOCH 4,n		Einstellungen sperren (lock)
67 tEtPErALUrE UnI t	Menu ☐	CELC, FAr		Temperatureinheit °C/°F

Hinweise:

- 1) Der werksseitig festgelegte Batterietyp kann mit dem Drehknopf neben dem VE.Direct-Stecker ausgewählt werden. Der ausgewählte Typ wird hier angezeigt. Die Einstellung kann zwischen einem werksseitig festgelegten Typ und "USER" (Nutzer) verändert werden.
- 2) Diese Werte lassen sich NUR für den Batterietyp "USER" ändern. Die Werte in der Tabelle gelten für eine 24V-Batterie.



- 3) Der Automatische Zellenausgleich kann auf "OFF" (Standardeinstellung) oder auf eine Zahl zwischen 1 (jeden Tag) und 250 (einmal alle 250 Tage) eingestellt werden. Siehe Punkt 3.8 für weitere Info zum automatischen Zellenausgleich.
- 4) Damit das Ladegerät bei der Batterie den Zellenausgleich ordnungsgemäß ausführen kann, verwenden Sie die Option "manueller Ausgleich" nur während den Konstantspannungs- und Ladeerhaltungsspannungsphasen und , wenn ausreichend Sonnenlicht vorhanden ist. Betätigen Sie die Taste SELECT: der Text "St-R-L" beginnt zu blinken, betätigen Sie SELECT erneut, um den Ausgleichsvorgang zu starten. Um den Ausgleichsmodus vorzeitig zu beenden, gehen Sie ins Setup-Menü und dort zum Setup-Punkt 10. Betätigen Sie die Taste SELECT: der Text "St-OP" beginnt zu blinken, betätigen Sie SELECT erneut, um den Ausgleichsvorgang zu beenden. Der manuelle Zellenausgleich dauert 1 Stunde.

5) Relais-Funktion (Einstellung 11):

Wert	Beschreibung
0	Relais immer aus
1	Paneel-Spannung hoch (Setup-Punkte 17 und 18)
2	Innentemperatur hoch (>85 C)
3	Batteriespannung zu niedrig (Setup-Punkte 12 und 13, Standardeinstellung)
4	Zellenausgleich aktiv
5	Fehlerbedingung vorhanden
6	Innentemperatur niedrig (<-20 C)
7	Batteriespannung zu hoch (Setup-Punkte 14 und 15)
8	Ladegerät in Ladeerhaltungs- oder Lager-Modus
9	Tageserkennung (Sonneneinstrahlung auf Paneele)
10	Lastregelung (das Relais schaltet entsprechend des Last-Regelungs-Modus um, man beachte Einstellung 35 und Hinweis 7)

- 6) Der Parameter BMS vorhanden wird intern auf "Y"es (ja) gesetzt, wenn ein kompatibles BMS erkannt wird. Die Einstellung 31 kann zum Zurücksetzen des Ladegerätes auf Normalbetrieb (d. h. ohne BMS) verwendet werden, indem sie manuell auf 'N'o (Nein) gesetzt wird. (Zum Beispiel wenn das Ladegerät an einen anderen Ort gebracht wird, wo kein BMS notwendig ist, lässt es nicht manuell auf ‚Y'es setzen.).

Achtung: Stellen Sie diesen Parameter nicht auf "Y"es, wenn Sie ein VE.Bus BMS verwenden, das an den Port für das ferngesteuerte Ein-/Ausschalten angeschlossen ist (siehe Abschnitt. 3.5).

7) Last-Regelungs-Modus (Einstellung 35).

Zur Nutzung des Relais (Einstellung 11, Wert 10), oder des VE.Direct Ports (Einstellung 58, Wert 4) zur Regelung einer Last gemäß den folgenden Optionen:

Wert	Beschreibung
0	Lastausgang ist immer aus.
1	BatteryLife Algorithmus (Standardeinstellung)
2	Konventioneller Algorithmus 1 (aus<22,2 V, ein>26,2 V)
3	Konventioneller Algorithmus 2 (aus<23,6V, ein>28,0V)
4	Lastausgang ist immer an.
5	Nutzerdefinierter Algorithmus 1 (aus<20,0 V, ein>28,0 V)
6	Nutzerdefinierter Algorithmus 2 (aus<20,0 V, ein>28,0 V)

- 8) Für das automatische Ausschalten der Hintergrundbeleuchtung stehen folgende Optionen zur Verfügung: OFF=Hintergrundbeleuchtung bleibt immer an, ON=die Hintergrundbeleuchtung wird 60 s nach dem letzten Betätigen einer Taste gedämpft, AUTO=während des Ladevorgangs ist die Hintergrundbeleuchtung an, ansonsten wird sie gedämpft.

9) VE.Direct Port RX Pin-Modus (Einstellung 57)

Wert	Beschreibung
0	Ferngesteuerte Ein-/Aus-Schaltung (Standardeinstellung) Kann zur Steuerung des Ein- und Auschalt-Vorgangs über ein VE.Bus BMS verwendet werden (anstatt das BMS an den Port zur ferngesteuerten Ein-/Aus-Schaltung anzuschließen). Es wird ein VE.Direct nicht invertierendes Kabel zum ferngesteuerten Ein-/Ausschalten benötigt. (ASS030550310)
1	Keine Funktion
2 3	Der RX Pin kann das Relais trennen (Relais aus), wenn die Relais-Funktion 10 der Einstellung 11 eingestellt wurde (man beachte Hinweis 5, Wert 10). Die Last-Regelungs-Optionen (Einstellung 35) bleiben gültig. Anders ausgedrückt wird eine UND Funktion geschaffen: Sowohl die Last-Regelung, als auch der RX Pin muss hoch (Wert=2) oder niedrig (Wert=3) sein, um das Relais anzusteuern.

10) VE.Direct Port TX Pin-Modus (Einstellung 58)

Wert	Beschreibung
0	Normale VE.Direct Kommunikation (Standardeinstellung) Zum Beispiel zum Datenaustausch mit einem Color Control Panel (VE.Direct-Kabel erforderlich)
1	Impuls alle 0,01 kWh
2	Dimmer-Schaltung (PWM normal) TX Digitalausgangs-Kabel erforderlich (ASS0305505500)
3	Dimmer-Schaltung (PWM umgekehrt) TX Digitalausgangs-Kabel erforderlich (ASS0305505500)
4	Last-Steuerungs-Modus: Der TX Pin schaltet sich gemäß dem Last-Steuerungs-Modus um, siehe Hinweis 7. TX Digitalausgangs-Kabel (ASS0305505500) erforderlich, zum Anschluss an einen Logikpegel Last-Steuerungs Port.

11) Betätigen Sie die Taste SELECT: der Text "rESEt" beginnt dann zu blinken, betätigen Sie SELECT erneut, um auf die ursprünglichen Werkseinstellungen zurück zusetzen. Das Ladegerät startet dann neu. Die Verlaufsdaten werden nicht beeinflusst (kWh-Zähler, etc.).

12) Betätigen Sie die Taste SELECT: der Text "CLEAR" beginnt zu blinken, betätigen Sie SELECT erneut, um die Verlaufsdaten zu löschen (kWh-Zähler etc, etc). Beachten Sie, dass die Fertigstellung des Vorgangs ein paar Sekunden dauern kann.

Hinweis: Jede Änderung der Einstellungen, die mit dem einsteckbaren LCD-Display oder per Bluetooth gemacht werden, heben die Einstellungen des Drehknopfes auf. Durch Drehen des Drehknopfes werden die vorherigen Einstellungen, die mit dem einsteckbaren LCD-Display oder per Bluetooth gemacht wurden, aufgehoben.

Warnung:

Einige Hersteller empfehlen eine konstante Stromausgleichsdauer, andere wiederum nicht. Verwenden Sie keinen konstanten Stromausgleich, außer der Batteriehersteller empfiehlt dies.



4. Fehlerbehebung

Problem	Mögliche Ursache	Lösung
Das Ladegerät funktioniert nicht.	Verpoltter PV-Anschluss	PV korrekt anschließen
	Verpoltter Batterieanschluss	Nicht-ersetzbare Sicherung durchgebrannt An VE zur Reparatur zurücksenden
Die Batterie wird nicht voll aufgeladen.	Fehlerhafter Batterieanschluss	Batterieanschluss überprüfen
	Zu hohe Kabelverluste	Kabel mit einem größeren Durchmesser verwenden
	Große Umgebungstemperaturdifferenz zwischen Ladegerät und Batterie ($T_{\text{ambient_chrg}} > T_{\text{ambient_batt}}$)	Sicherstellen, dass die Umgebungsbedingungen des Ladegeräts und der Batterie gleich sind
	<i>Nur für ein 24V oder 48V-System:</i> Lade-Regler hat falsche Systemspannung ausgewählt (z. B. 12V anstatt 24V)	Stellen Sie den Regler manuell auf die erforderliche Systemspannung.
Die Batterie wird überladen	Eine Batteriezelle ist fehlerhaft	Batterie ersetzen
	Große Umgebungstemperaturdifferenz zwischen Ladegerät und Batterie ($T_{\text{ambient_chrg}} < T_{\text{ambient_batt}}$)	Sicherstellen, dass die Umgebungsbedingungen des Ladegeräts und der Batterie gleich sind

Mithilfe des einsteckbaren LCD-Displays oder VictronConnect und den unten aufgeführten Verfahren lassen sich die meisten Fehler schnell finden. Falls Sie einen Fehler nicht beheben können, wenden Sie sich bitte an Ihren Victron Energy Händler.

Fehler Nummer	Problem	Ursache / Lösung
n. z.	Das LCD Display leuchtet nicht auf (keine Hintergrundbeleuchtung, keine Anzeige)	Die interne Stromversorgung, die für den Betrieb des Konverters und der Hintergrundbeleuchtung genutzt wird kommt entweder von der Solar-Anlage oder von der Batterie. Liegen sowohl die PV- als auch die Batterie-Spannung unter einem Wert von 6 V leuchtet das LCD nicht auf. Überprüfen Sie, ob das LCD-Display ordentlich eingesteckt ist.
n. z.	Das LCD leuchtet nicht auf (die Hintergrundbeleuchtung funktioniert, keine Anzeige, Ladegerät scheint zu funktionieren).	Dies kann an einer zu geringen Umgebungstemperatur liegen. Wenn die Umgebungstemperatur unter -10°C (14°F) liegt, können die LCD-Segmente unscharf werden. Unter -20°C (-4°F) können die LCD-Segmente unsichtbar werden. Während des Ladevorgangs erwärmt sich das LCD und der Bildschirm wird sichtbar.
n. z.	Der Lade-Regler lädt die Batterie nicht.	Das LCD zeigt an, dass der Ladestrom 0A beträgt. Überprüfen Sie die Polarität der Solar-Paneele. Überprüfen Sie den Batterieschalter. Überprüfen Sie, ob auf dem LCD ein Fehler angezeigt wird. Überprüfen Sie, ob das Ladegerät im Menü auf "ON" steht. Überprüfen Sie, ob der Fernsteuerungs-Eingang angeschlossen ist. Überprüfen Sie, ob die richtige Systemspannung ausgewählt wurde.
n. z.	Hohe Temperatur: Das Thermometer-Symbol blinkt	Dieser Fehler wird automatisch zurückgesetzt, wenn die Temperatur gefallen ist. Verringerter Ausgangsstrom aufgrund zu hoher Temperatur. Überprüfen Sie die Umgebungstemperatur und sehen Sie nach, ob in der Nähe des Kühlkörpers Hindernisse vorhanden sind.
Err 2	Zu hohe Batterie-Spannung (> 76,8 V).	Dieser Fehler wird automatisch zurückgesetzt, wenn die Batteriespannung gefallen ist. Dieser Fehler kann auch auf andere Ladeausrüstung, die mit der Batterie verbunden ist oder einen Fehler beim Lade-Regler zurückzuführen sein.
Err 17	Regler überhitzt trotz reduziertem Ausgangsstrom	Dieser Fehler wird automatisch zurückgesetzt, wenn das Ladegerät abgekühlt ist. Überprüfen Sie die Umgebungstemperatur und sehen Sie nach, ob in der Nähe des Kühlkörpers Hindernisse vorhanden sind.
Err 18	Überstrom am Regler	Dieser Fehler wird automatisch zurückgesetzt. Trennen Sie den Lade-Regler von sämtlichen Stromquellen, warten Sie 3 Minuten und schalten Sie ihn wieder ein.

EN

NL

FR

DE

ES

SE

Appendix

Fehler Nummer	Problem	Ursache / Lösung
		Sollte der Fehler weiterhin bestehen, ist der Lade-Regler vermutlich defekt.
Err 20	Maximale Konstantstromdauer überschritten	Dieser Fehler kann nur dann auftreten, wenn der maximale Konstantstromschutz aktiviert ist. Dieser Fehler wird nicht automatisch zurückgesetzt. Dieser Fehler wird dann angezeigt, wenn die Konstantspannung der Batterie nach 10 Stunden des Ladens noch nicht erreicht wurde. Bei normalen Solar-Anlagen wird empfohlen, nicht den maximale Konstantstromdauer-Schutz zu verwenden.
Err 21	Problem mit dem Stromsensor	Der Lade-Regler ist vermutlich defekt. Dieser Fehler wird nicht automatisch zurückgesetzt.
Err 26	Anschluss überhitzt	Stromanschlüsse überhitzt, Verkabelung überprüfen und Bolzen anziehen, wenn möglich. Dieser Fehler wird automatisch zurückgesetzt.
Err 33	Überspannung an der PV-Anlage	Dieser Fehler wird automatisch zurückgesetzt, nachdem die PV-Spannung wieder auf den sicheren Wert gefallen ist. Dieser Fehler ist ein Hinweis, dass die Konfiguration der PV-Anlage im Hinblick auf die Leerspannung für dieses Ladegerät kritisch ist. Überprüfen Sie die Konfiguration und ordnen Sie die Paneele sofern erforderlich neu an.
Err 34	Überstrom an der PV-Anlage	Der Strom vom Solar-Paneel hat den Wert von 75 A überschritten. Dieser Fehler könnte aufgrund eines internen Systemfehlers verursacht werden. Trennen Sie das Ladegerät von sämtlichen Stromquellen, warten Sie 3 Minuten und schalten Sie es dann wieder ein. Sollte der Fehler weiterhin bestehen, ist der Regler vermutlich defekt. Dieser Fehler wird automatisch zurückgesetzt.
Err 38	Abschalten des Eingangs aufgrund einer Überspannung an der Batterie.	Um die Batterie vor einem Überladen zu schützen, wird der Paneel-Eingang abgeschaltet. Um diesen Zustand zu beheben, trennen Sie zunächst die Solar-Paneele und dann die Batterie. Warten Sie 3 Minuten. Schließen Sie dann zuerst die Batterie wieder an und dann die Paneele. Sollte der Fehler weiterhin bestehen, ist der Lade-Regler vermutlich defekt.
Inf 65	Warnung "Übertragung"	Die Übertragungsverbindung zu einem der parallel geschalteten Regler wurde unterbrochen. Zum Zurücksetzen der Warnung, Regler aus- und wieder einschalten.
Inf 66	Gerät inkompatibel	Der Regler wurde mit einem anderen Regler parallel geschaltet, der über andere Einstellungen und/oder einen anderen Ladealgorithmus verfügt. Überprüfen Sie, dass sämtliche Einstellungen gleich sind und aktualisieren Sie die Firmware auf allen Ladegeräten mit der neusten Version.

Fehler Nummer	Problem	Ursache / Lösung
Err 67	BMS-Verbindung unterbrochen	Verbindung zum BMS unterbrochen, Anschluss überprüfen (Verkabelung/Bluetooth-Verbindung). Wenn das Ladegerät wieder im Einzelbetrieb arbeiten soll, ändern Sie die Setup-Menü-Einstellung 'BMS' von 'Y' (ja) auf 'N' (nein) (Setup Punkt 31).
Err 114	CPU Temperatur zu hoch	Dieser Fehler wird automatisch zurückgesetzt, wenn die CPU abgekühlt ist. Sollte dieser Fehler weiterhin bestehen, überprüfen Sie die Umgebungstemperatur und überprüfen Sie die Luftein- und Luftauslassöffnungen des Ladegerätgehäuses auf Verstopfungen. Beachten Sie das Handbuch für Montageanweisungen im Bezug auf die Kühlung. Sollte der Fehler weiterhin bestehen, ist der Regler vermutlich defekt.
Err 116	Verlust der Kalibrierungsdaten	Dieser Fehler wird nicht automatisch zurückgesetzt.
Err 119	Verlust der Einstellungsdaten	Dieser Fehler wird nicht automatisch zurückgesetzt. Standardeinstellungen im Setup-Menü zurücksetzen (Setup-Punkt 62). Trennen Sie den Lade-Regler von sämtlichen Stromquellen, warten Sie 3 Minuten und schalten Sie ihn wieder ein.

Bei weiteren Fragen beachten Sie bitte die FAQ:

https://www.victronenergy.com/live/drafts:mppt_faq

EN

NL

FR

DE

ES

SE

Appendix

5. Technische Daten

SmartSolar-Lade-Regler	MPPT 150/70	MPPT 150/100
Batteriespannung	12/24/48V automatische Wahl (36V: manuell)	
Maximaler Batteriestrom	70A	100A
Nenn PV-Leistung, 12V 1a,b)	1000W	1450W
Nenn PV-Leistung, 24V 1a,b)	2000W	2900W
Nenn PV-Leistung, 36V 1a,b)	3000W	4350W
Nenn PV-Leistung, 48V 1a,b)	4000W	5800W
Max. Kurzschlussstrom der Solaranlage 2)	50A (max 30A per MC4 conn.)	70A (max 30A per MC4 conn.)
Maximale PV-Leerspannung	150V absoluter Höchstwert kälteste Bedingungen 145V Höchstwert für Einschalten und Betrieb	
Spitzenwirkungsgrad	98%	
Eigenverbrauch	Weniger als 35mA @ 12V / 20mA @ 48V	
„Konstant“-Ladespannung	Standardeinstellungen: 14,4V / 28,8V / 43,2V / 57,6V (regulierbar)	
„Erhaltungs“-Ladespannung	Standardeinstellungen: 13,8V / 27,6V / 41,4V / 55,2V (regulierbar)	
"Ausgleichs"-Ladespannung	Standardeinstellungen: 16,2V / 32,4V / 48,6V / 64,8V (regulierbar)	
Ladealgorithmus	Mehrstufig adaptiver (acht vorprogrammierte Algorithmen) oder benutzerdefinierter Algorithmus	
Temperaturkompensation	-16mV / -32mV / -64mV	
Schutz	Verpolung an Batterie (Sicherung, kein Zugriff durch den Nutzer) PV-Verpolung / Ausgangskurzschluss / Übertemperatur	
Betriebstemperatur	-30°C bis +60°C (voller Nennausgang bis zu 40°C)	
Feuchte	95% nicht kondensierend	
Maximale Höhe	5000 m (voller Nennausgang bis zu 2000 m)	
Umgebungsbedingungen	für den Innenbereich, ohne besonderen Bedingungen	
Verschmutzungsgrad	PD3	
Datenkommunikationsport und	VE.Can, VE.Direct oder Bluetooth	
Ferngesteuerte Ein-/Aus-Schaltung	Ja (2-poliger Stecker)	
Relais (programmierbar)	DPST AC Nennwert: 240 VAC/4 A DC-Nennwert: 4 A bis zu 35 VDC, 1 A bis zu 60 VDC	
Parallelbetrieb	Ja	
GEHÄUSE		
Farbe	Blau (RAL 5012)	
PV-Anschlüsse	35 mm ² / AWG2 (Tr Modelle), oder drei Paar MC4 Stecker (MC4 Modelle)	
Batterieanschlüsse	35mm ² / AWG2 oder drei Sets MC4 Stecker	
Schutzklasse	IP43 (elektronische Bauteile) IP22 (Anschlussbereich)	
Gewicht	3kg	4,5kg
Maße (HxBxT)	185 x 250 x 95 mm	216 x 295 x 103 mm
NORMEN		
Sicherheit	EN/IEC 62109-1, UL 1741, CSA C22.2	
<p>1a) Wenn mehr PV-Strom angeschlossen ist, begrenzt der Regler die Eingangsleistung 1b) Die PV-Spannung muss mindestens die Höhe von Vbat + 5 V erreichen, damit der Regler den Betrieb aufnimmt. 2) Ein höherer Kurzschlussstrom kann den Regler im Falle eines verpolten Anschlusses der PV-Anlage beschädigen Danach liegt der Mindestwert der PV-Spannung bei Vbat + 1 V. 3) Standardeinstellung: AUS</p>		



1. Descripción general

Bluetooth Smart integrado: no necesita mochila

La solución inalámbrica para configurar, supervisar y actualizar el controlador con un teléfono inteligente, una tableta u otro dispositivo Apple o Android.

Puerto VE. Direct y dos puertos VE.Can

Para una conexión de datos con cable a un Color Control, un Venus GX, un PC u otros dispositivos.

Interruptor remoto on-off

Puede controlar el encendido/apagado mediante un VE.Bus BMS mientras se cargan las baterías de Li-Ion.

Relé programable

Se puede programar (entre otros, con un teléfono inteligente) para activar una alarma u otros eventos.

Opcional: pantalla LCD conectable

Simplemente retire el protector de goma del enchufe de la parte frontal del controlador y conecte la pantalla.

Seguimiento ultrarrápido del Punto de Máxima Potencia (MPPT)

Especialmente con cielos nubosos, cuando la intensidad de la luz cambia continuamente, un controlador MPPT ultrarrápido mejorará la recogida de energía hasta en un 30%, en comparación con los controladores de carga PWM, y hasta en un 10% en comparación con controladores MPPT más lentos.

Detección Avanzada del Punto de Máxima Potencia en condiciones parcialmente sombreadas

En condiciones parcialmente sombreadas, pueden darse dos o más puntos de máxima potencia (MPP) en la curva de tensión de carga.

Los MPPT convencionales suelen seleccionar un MPP local, que no necesariamente es el MPP óptimo.

El innovador algoritmo de SmartSolar maximizará siempre la recogida de energía seleccionando el MPP óptimo.

Excepcional eficiencia de conversión

Sin ventilador. La eficiencia máxima excede el 98%. Corriente de salida completa hasta los 40°C (104°F).

Amplia protección electrónica

Protección de sobretemperatura y reducción de potencia en caso de alta temperatura. Protección contra polaridad inversa FV.

Sensor de temperatura interna

Compensa las tensiones de carga de absorción y flotación en función de la temperatura. (rango de 6°C a 40°C)

Sensor opcional externo de tensión y temperatura

(rango de -20°C a 50°C)

Smart Battery Sense es un sensor inalámbrico de temperatura y de tensión de la batería para los cargadores solares MPPT de Victron. El cargador solar usa estas mediciones para optimizar sus parámetros de carga. La precisión de los datos que transmite mejora la eficiencia de carga de la batería y prolonga la vida de la batería.

Alternativamente, se puede establecer **comunicación por** Bluetooth entre un **monitor de batería** BMV-712 con sensor de la temperatura de la batería y el controlador de carga solar

Para más información introduzca *smart networking* (trabajo en red smart) en el cuadro de búsqueda de nuestro sitio web.

Reconocimiento automático de la tensión de la batería

Los controladores se ajustarán automáticamente a un sistema de 12, 24 ó 48 V **una sola vez**. Si más adelante se necesitara una tensión distinta para el sistema, deberá cambiarse manualmente, por ejemplo con la aplicación Bluetooth o con la pantalla LCD opcional. De forma similar, los sistemas de 36 V deberán configurarse manualmente.

Algoritmo de carga flexible

Algoritmo de carga totalmente programable y ocho algoritmos preprogramados, seleccionables mediante un interruptor giratorio.

Carga variable en tres fases

El controlador de carga MPPT SmartSolar está configurado para llevar a cabo procesos de carga en tres fases: Inicial-Absorción-Flotación. También se puede programar una carga de equalización normal: consulte la sección 3.12 de este manual.

Carga inicial

Durante esta fase, el controlador suministra tanta corriente de carga como le es posible para recargar las baterías rápidamente.

Absorción

Cuando la tensión de la batería alcanza la tensión de absorción predeterminada, el controlador cambia a modo de tensión constante.

Cuando la descarga es superficial, la fase de absorción se acorta para así evitar una sobrecarga de la batería. Después de una descarga profunda, el tiempo de carga de absorción aumenta automáticamente para garantizar una recarga completa de la batería. Además, el periodo de absorción también se detiene cuando la corriente de carga disminuye a menos de 2 A.

Flotación

Durante esta fase se aplica la tensión de flotación a la batería para mantenerla completamente cargada.

Equalización

Véase la sección 3.12



Configuración y seguimiento

Configure el controlador de carga solar con la aplicación VictronConnect. Disponible para dispositivos iOS y Android, así como para ordenadores macOS y Windows. Es posible que haga falta un accesorio, introduzca *victronconnect* en el cuadro de búsqueda de nuestro sitio web y consulte más información en la página de descargas de VictronConnect.

Para un control simple, use MPPT Control, un panel montado, sencillo pero efectivo que muestra todos los parámetros operativos. El control completo del sistema, incluido el registro en nuestro portal online VRM, se hace con la gama de productos GX.



MPPT Control



Color Control



Venus GX

EN

NL

FR

DE

ES

SE

Appendix

2. Instrucciones de seguridad

GUARDE ESTAS INSTRUCCIONES - Este manual contiene instrucciones importantes que deberán observarse durante la instalación y el mantenimiento.



Peligro de explosión por chispas

Peligro de descarga eléctrica

- Por favor, lea este manual atentamente antes de instalar y utilizar el producto.
- Este producto ha sido diseñado y comprobado de acuerdo con los estándares internacionales. El equipo debe utilizarse exclusivamente para la aplicación prevista.
- Instale el producto en un entorno protegido del calor. Compruebe que no haya productos químicos, piezas de plástico, cortinas u otros textiles, etc., en las inmediaciones del equipo.
- Este producto no puede instalarse sin una caja de conexiones en zonas a las que pueda acceder el usuario.
- Compruebe que el equipo se utiliza en condiciones de funcionamiento adecuadas. No lo utilice en un entorno húmedo.
- No utilice nunca el producto en lugares donde puedan producirse explosiones de gas o polvo.
- Compruebe que hay suficiente espacio alrededor del producto para su ventilación.
- Consulte las especificaciones suministradas por el fabricante de la batería para asegurarse de que puede utilizarse con este producto. Las instrucciones de seguridad del fabricante de la batería deben tenerse siempre en cuenta.
- Proteja los módulos solares de la luz incidental durante la instalación, es decir, tápelos.
- No toque nunca terminales de cable no aislados.
- Utilice exclusivamente herramientas aisladas.
- Las conexiones siempre deben realizarse siguiendo la secuencia descrita en la sección 3.4.
- Si no hay una caja de conexiones, el instalador del producto deberá poner un pasacables antitracción para evitar tensiones indebidas sobre los terminales de conexión.
- Además de este manual, el manual de funcionamiento del sistema o manual de servicio deberá incluir un manual de mantenimiento que corresponda con el tipo de batería que se esté usando.

- Use cable de cobre multifilamento flexible para las conexiones FV y de la batería. El diámetro máximo de cada filamento es 0,4 mm/0,125 mm² (0,016 pulgadas/AWG26).

Por ejemplo, un cable de 25 mm², deberá tener al menos 196 filamentos (filamento de clase 5 o superior según las normas VDE 0295, IEC 60228 y BS6360).

Un cable de calibre AWG2 deberá tener al menos un trenzado de 259/26 (259 filamentos de AWG26).

Temperatura máxima de trabajo: $\geq 90^{\circ}\text{C}$.

Ejemplo de cable adecuado: cable de triple homologación de clase 5 (cumple tres normativas): la americana (UL), la canadiense (CSA) y la británica (BS)).

Si los filamentos usados son más gruesos, la zona de contacto será demasiado pequeña y la alta resistencia del contacto resultante puede producir un fuerte sobrecalentamiento que podría causar un incendio.



- Corriente máxima a través de un terminal MC4: 30 A.
- El terminal de puesta a tierra está situado en la caja de conexiones y está identificado con el símbolo siguiente:



Ground Symbol

3. Instalación

ADVERTENCIA: ENTRADA CC NO AISLADA DEL CIRCUITO DE BATERÍAS

PRECAUCIÓN: PARA UNA COMPENSACIÓN DE TEMPERATURA ADECUADA, ENTRE LA TEMPERATURA AMBIENTE DEL CARGADOR Y LA DE LA BATERÍA NO DEBERÍA HABER UNA DIFERENCIA DE MÁS DE 5°C.

3.1 General

- Montar verticalmente sobre una superficie no inflamable, con los terminales de conexión hacia abajo. Dejar un espacio de al menos 10 cm por encima y por debajo del producto para una refrigeración óptima.
- Montar cerca de la batería, pero nunca directamente encima de la misma (para evitar daños debido a los vapores generados por el gaseado de la batería).
- Una compensación de temperatura interna inadecuada (p.ej. que entre la temperatura ambiente de la batería y la del cargador haya una diferencia superior a los 5°C) podría reducir la vida útil de la batería.

Se recomienda el uso de una fuente de detección de tensión de la batería directa (BMV, Smart Battery Sense o dispositivo GX con sensor de tensión compartido) si se espera que haya diferencias de temperatura más altas o condiciones de temperatura ambiental extrema.

- La instalación de la batería debe llevarse a cabo según las normas de almacenamiento de baterías del Código Eléctrico Canadiense, Parte 1.
- Las conexiones de la batería (y para la versión Tr también las conexiones FV) deben protegerse de contactos fortuitos (p.ej. instalándolas en una caja o instalando el WireBox opcional).

Modelos Tr: use cable de cobre multifilamento flexible para las conexiones FV y de la batería. Consulte las instrucciones de seguridad.

Modelos MC4: se podrían necesitar varios pares de separadores para conectar en paralelo las cadenas de paneles solares. Corriente máxima a través de un terminal MC4: 30A

3.2 Puesta a tierra

- **Puesta a tierra de la batería:** el cargador puede instalarse en un sistema con puesta a tierra positiva o negativa.

Nota: ponga a tierra una sola conexión a tierra para evitar fallos del funcionamiento del sistema.

- **Puesta a tierra del chasis:** Se permite una puesta a tierra separada para el chasis, ya que está aislado de los terminales positivo y negativo.
- El Código Eléctrico Nacional de Estados Unidos (NEC) requiere el uso de un dispositivo externo de protección contra fallos de puesta a tierra (GFPD). Los cargadores MPPT no disponen de protección interna contra fallos de puesta a tierra. El negativo eléctrico del sistema deberá conectarse a tierra a través de un GFPD y en un solo punto (y sólo uno).
- El cargador no debe estar conectado con sistemas FV puestos a tierra (sólo una conexión a tierra).



- El positivo y negativo de los paneles FV no deben ponerse a tierra. Ponga a tierra el bastidor de los paneles FV para reducir el impacto de los rayos.

ADVERTENCIA: CUANDO SE INDICA UN FALLO DE CONEXIÓN A TIERRA, PUEDE QUE LOS TERMINALES DE LA BATERÍA Y LOS CIRCUITOS CONECTADOS NO ESTÉN CONECTADOS A TIERRA Y SEAN PELIGROSOS.

3.3. Configuración PV (ver también la hoja de Excel para MPPT en nuestra web)

- Los controladores solo entrarán en funcionamiento si la tensión FV supera la tensión de la batería (Vbat).
- La tensión FV debe exceder en 5 V la Vbat (tensión de la batería) para que arranque el controlador.
Una vez arrancado, la tensión FV mínima será de Vbat + 1 V.
- Tensión máxima del circuito abierto FV: 150 V o 250 V, dependiendo del modelo.

Por ejemplo:

Batería de 24V y paneles mono o policristalinos, tensión FV máx. 150 V

- Cantidad mínima de celdas en serie: 72 (2 paneles de 12 V en serie o un panel de 24 V).
 - Número de celdas recomendado para lograr la máxima eficiencia del controlador: 144 celdas (4 paneles de 12 V ó 2 paneles de 24 V en serie).
 - Máximo: 216 celdas (6 paneles de 12 V ó 3 paneles de 24 V en serie).
- Batería de 48 V y paneles mono o policristalinos, tensión FV máx. 250 V
- Cantidad mínima de celdas en serie: 144 (4 paneles de 12 V ó 2 paneles de 24 V en serie).
 - Máximo: 360 celdas (10 paneles de 12 V ó 5 paneles de 24 V en serie).

Observación: a baja temperatura, la tensión de circuito abierto de un panel solar de 216 celdas podría exceder los 150 V y la tensión de un circuito abierto de un panel solar de 360 celdas podría exceder los 250 V, dependiendo de las condiciones locales y del tipo de celdas. En este caso, la cantidad de celdas en serie deberá reducirse.

3.4 Secuencia de conexión de los cables (ver figura 1)

Primero: conecte la batería.

Segundo: si fuese necesario, conecte el On/Off remoto y el relé programable

Tercero: conecte el panel solar (si se conecta con polaridad inversa, el controlador se calentará pero no cargará la batería).

Torsión: 2,4 Nm

3.5 On/Off remoto

Modos de uso del sistema on-off:

- ON cuando los terminales L y H terminal están interconectados (contacto de conmutador o relé)
- ON cuando el terminal L está conectado al negativo de la batería ($V < 3,5$ V)
- ON cuando el terminal H está alto ($2,9 \text{ V} < V_H < V_{bat}$)
- OFF en todas las demás situaciones

El uso recomendado del On/Off remoto es:

- Interruptor conectado entre los terminales L y H.
- Interruptor conectado entre el terminal positivo de la batería y el terminal H.
- Interruptor entre el terminal L y el terminal de desconexión de carga de un VE.Bus BMS

3.6 Interfaz CAN bus

El cargador dispone de dos conectores CAN bus RJ45.

El CAN bus en este cargador no está aislado galvánicamente. El CAN bus está referenciado a la conexión negativa de la batería.

El interfaz CAN bus se referenciará a tierra si el polo negativo de la batería está conectado a tierra. En el caso de un sistema con conexión a tierra positiva, se necesitará un módulo de aislamiento CAN para referenciar el interfaz CAN bus a tierra.

El final de un cable CAN debería tener un terminador de bus. Esto se consigue insertando un terminador de bus en uno de los dos conectores RJ45 y el cable CAN en el otro. En caso de haber un nodo (dos cables CAN, uno en cada conector RJ45), no se necesita ninguna terminación.

Tensión de suministro (V+ suministro): 9 V-70 V

Máxima corriente de suministro: 500 mA

Velocidad de datos: 250 kbps

Tolerancia de tensión CANH/CANL: +/-70 V_{CC}

Especificación ISO del transceptor CAN: ISO 11898-2:2016

Para aportar máxima flexibilidad, se usa la tensión de la batería para la línea de suministro V+ de VE.CAN. Esto significa que todos los equipos conectados a VE.CAN son una carga permanente para la batería.

3.7 Funcionamiento sincronizado en paralelo

Nota: Software aún no disponible, se espera que lo esté en el tercer trimestre de 2019.

Con la interfaz CAN se pueden sincronizar varios controladores de carga. Esto se consigue interconectando los cargadores con cables RJ45 UTP (se necesitan terminadores de bus; véase la sección 3.6). Los ajustes de los controladores de carga conectados en paralelo deben ser idénticos (p.ej. algoritmo de carga). La comunicación CAN garantiza que los controladores conmuten simultáneamente de un estado de carga a otro (p.ej. de carga inicial a carga de absorción). **Cada unidad regulará (y deberá hacerlo) su propia corriente de salida**, según, entre otros, la salida de cada placa FV y la resistencia de los cables.

En caso de funcionamiento en paralelo sincronizado, el icono de red parpadeará cada 3 segundos en todas las unidades conectadas en paralelo.

Las entradas FV no deben conectarse en paralelo. Cada controlador de carga debe conectarse a su propio conjunto FV.

3.8 Sistema de almacenamiento de energía (ESS)

Un sistema de almacenamiento de energía (ESS) es un determinado tipo de sistema de energía que integra una conexión a la red eléctrica con un inversor/cargador Victron, un dispositivo Venus y un sistema de batería. Almacena energía solar en la batería durante el día, para usarla más tarde cuando el sol deja de brillar.

Puede consultar en el siguiente manual cómo configurar un ESS:

<https://www.victronenergy.com/live/ess:start>

EN

NL

FR

DE

ES

SE

Appendix

3.9 Configuración del controlador con el selector giratorio

Un algoritmo de carga totalmente programable (consulte la página de *software* de nuestra página web) y ocho algoritmos de carga preprogramados, que se pueden elegir con un selector giratorio:

Pos	Tipo de batería sugerido	Absorción V	Flotación V	Ecuación V al % I_{nom}	dV/dT mV/°C
0	Gel Victron Long Life (OPzV) Gel Exide A600 (OPzV) Gel MK	28,2	27,6	31,8 al 8%	-32
1	Gel Victron Deep Discharge Gel Exide A200 AGM Victron Deep Discharge Placa tubular estacionaria (OPzS)	28,6	27,6	32,2 al 8%	-32
2	Valores predeterminados Gel Victron Deep Discharge Gel Exide A200 AGM Victron Deep Discharge Placa tubular estacionaria (OPzS)	28,8	27,6	32,4 al 8%	-32
3	AGM Placa en espiral Placa tubular estacionaria (OPzS) Rolls AGM	29,4	27,6	33,0 al 8%	-32
4	Baterías de tracción de placa tubular PzS o baterías OPzS	29,8	27,6	33,4 al 25%	-32
5	Baterías de tracción de placa tubular PzS o baterías OPzS	30,2	27,6	33,8 al 25%	-32
6	Baterías de tracción de placa tubular PzS o baterías OPzS	30,6	27,6	34,2 al 25%	-32
7	Baterías de fosfato de hierro y litio (LiFePo4)	28,4	27,0	n.d.	0

Nota 1: divida todos los valores por dos en sistemas de 12 V y multiplíquelos por dos en sistemas de 48 V.

Nota 2: ecuación normalmente apagada, ver sección 3.9. para activarla. (no equalice baterías VRLA Gel ni AGM)

Nota 3: cualquier cambio de configuración realizado con la pantalla LCD conectable o mediante el Bluetooth anulará la configuración del interruptor giratorio. Al volver a usar el interruptor giratorio, se anularán las configuraciones anteriores hechas con la pantalla LCD conectable o con el Bluetooth.



Un código LED binario permite determinar la posición del interruptor giratorio. Tras cambiar la posición del selector giratorio, el LED parpadeará durante 4 segundos de la siguiente forma:
Luego volverá a las indicaciones normales, como se describe en la sección de LED.

Posición del selector	LED Carga inicial	LED Abs	LED Flotación	Frecuencia de parpadeo
0	1	1	1	Rápido
1	0	0	1	Lento
2	0	1	0	Lento
3	0	1	1	Lento
4	1	0	0	Lento
5	1	0	1	Lento
6	1	1	0	Lento
7	1	1	1	Lento

3.10 LED

Indicadores LED:

- On permanente
- ⊙ parpadeo
- Offapagado

Funcionamiento normal

LED	Carga inicial	Absorción	Flota ción
No carga (*1)	⊙	○	○
Carga inicial	●	○	○
Absorción	○	●	○
Equalización manual (parpadeo alterno)	⊙	⊙	○
Ecuación automática	○	●	●
Flotación	○	○	●

Nota (*1): El LED de carga inicial parpadeará brevemente cada 3 segundos mientras el sistema esté encendido pero no haya energía suficiente para empezar a cargar.

Estados de fallo

LED	Carga inicial	Absorción	Flotación
Temperatura del cargador muy alta	○	○	⊙
Sobreintensidad del cargador	⊙	○	⊙
Sobretensión del cargador o del panel	○	⊙	⊙
Problema de VE.Smart networking o BMS	○	⊙	○
Error interno (*2)	⊙	⊙	○

Nota (*2): P. ej.: datos de calibración y/o ajustes perdidos, problema con el sensor de corriente.

3.11 Información sobre la carga de las baterías

El controlador de carga inicia un nuevo ciclo de carga cada mañana, cuando empieza a brillar el sol.

Baterías de ácido y plomo: método predeterminado para determinar la longitud y el final de la absorción

El comportamiento del algoritmo de carga de los MPPT es distinto del de los cargadores de batería conectados a CA. Por favor, lea esta sección del manual detenidamente para entender el comportamiento del MPPT y siga siempre las recomendaciones del fabricante de su batería.

Por defecto, el periodo de absorción se determina sobre la tensión de la batería inactiva al comienzo de cada día en función de la siguiente tabla:

Tensión de la batería Vb (al ponerse en marcha)	Multiplicador	Tiempo máximo de absorción
$V_b < 11,9 \text{ V}$	x 1	6 h
$11,9 \text{ V} < V_b < 12,2 \text{ V}$	x 2/3	4 h
$12,2 \text{ V} < V_b < 12,6 \text{ V}$	x 1/3	2 h
$V_b > 12,6 \text{ V}$	x 1/6	1 h

(Valores para 12 V, es necesario ajustarlos para 24 V)

El contador del tiempo de absorción empieza una vez que se pasa de carga inicial a absorción.

Los cargadores solares MPPT también terminarán la absorción y pasarán a flotación cuando la corriente de la batería caiga por debajo de un límite de corriente baja, la 'corriente de cola'.

El valor predeterminado de la corriente de cola es 2 A.

Los parámetros predeterminados (tensiones, multiplicador del tiempo de absorción y corriente de cola) pueden modificarse con la aplicación Victronconnect o vía VE.Direct.

Hay dos excepciones al funcionamiento normal:

1. Cuando se usa en un sistema ESS, el algoritmo del cargador solar se desactiva, y en su lugar se sigue la curva indicada por el inversor/cargador.
2. Para baterías de litio CAN-Bus, como BYD, la batería le dice al sistema, incluido el cargador solar, qué tensión de carga usar. Este Límite de Tensión de Carga (CVL por sus siglas en inglés) es para algunas batería incluso dinámicas, cambia con el tiempo, en función, por ejemplo, de la tensión máxima de la celda en el conjunto y de otros parámetros.



Cuando en las excepciones indicadas, haya varios cargadores solares conectados a un dispositivo GX, estos cargadores se sincronizarán automáticamente.

Variaciones del comportamiento esperado

1. Parada del contador de tiempo de absorción

El contador del tiempo de absorción empieza cuando se alcanza la tensión de absorción configurada y se detiene cuando la tensión de salida es inferior a la tensión de absorción configurada.

Por ejemplo, esta caída de tensión puede producirse cuando la potencia FV (debido a nubes, árboles, puentes) es insuficiente para cargar la batería y para alimentar las cargas.

Cuando se detiene el contador de absorción, el LED de absorción parpadeará muy despacio.

2. Reinicio del proceso de carga

El algoritmo de carga se reseteará si la carga se ha detenido (es decir, se ha detenido el tiempo de absorción) durante una hora. Esto puede suceder cuando la tensión FV cae por debajo de la tensión de la batería por mal tiempo, sombra o algo similar.

3. La batería se está cargando o descargando antes de que comience la carga solar

El tiempo de absorción automático se basa en la tensión de la batería de arranque (véase la tabla). Esta estimación del tiempo de absorción puede ser incorrecta si hay una fuente de carga adicional (p.ej.: un alternador) o carga en las baterías.

Este es un problema inherente en el algoritmo predeterminado. Sin embargo, en la mayoría de los casos, sigue siendo mejor que un tiempo de absorción fijo, independientemente de otras fuentes de carga u otros estados de la batería.

Es posible anular el algoritmo de tiempo de absorción predeterminado estableciendo un tiempo de absorción fijo al programar el controlador de carga solar. Tenga en cuenta que esto puede producir la sobrecarga de sus baterías. Consulte al fabricante de su batería los ajustes recomendados.

4. Tiempo de absorción determinado por la corriente de cola

En algunas aplicaciones puede que sea preferible terminar la absorción en función de la corriente de cola solamente. Esto puede hacerse aumentando el multiplicador del tiempo de absorción predeterminado. (Advertencia: la corriente de cola de las baterías de ácido y plomo no se reduce a cero cuando las baterías están totalmente cargadas, y esta corriente de cola «sobrante» puede aumentar sustancialmente cuando las baterías envejecen)

Configuración predeterminada, baterías LiFePO4

Las baterías LiFePO4 no necesitan estar totalmente cargadas para evitar fallos prematuros.

El parámetro de tensión de absorción predeterminado es de 14,2 V (28,4 V).

Y el ajuste de tiempo de absorción predeterminado es de 2 horas.

Ajuste de flotación predeterminado: 13,2 V (26,4 V)

Estos parámetros son ajustables.

Restablecimiento del algoritmo de carga:

El ajuste predeterminado para reiniciar el ciclo de carga es

$V_{bat} < (V_{float} - 0,4 \text{ V})$ para ácido y plomo, y $V_{bat} < (V_{float} - 0,1 \text{ V})$ para baterías LiFePO4, durante 1 minuto.

(valores para baterías de 12 V, es necesario multiplicarlos por dos para 24 V)

3.12 Ecuación automática

La ecuación automática está configurada por defecto en "OFF". Con la aplicación VictronConnect (véase la sección 1.12) esta función puede configurarse con un número entre 1 (todos los días) y 250 (una vez cada 250 días).

Cuando la ecuación automática está activada, la carga de absorción irá seguida de un periodo de corriente constante con tensión limitada. La corriente está limitada al 8% o al 25% de la corriente de carga inicial (véase la tabla de la sección 3.5). La corriente de carga inicial es la corriente nominal del cargador, a menos que se haya elegido una corriente máxima de carga inferior.

Cuando se utiliza una configuración con un límite de corriente del 8%, la ecuación automática finaliza cuando se alcanza la tensión límite, o después de 1 hora, lo que ocurra primero.

Otras configuraciones: la ecuación automática termina después de 4 horas.

Si la ecuación automática no queda completamente terminada en un día, no se reanuda el día siguiente, sino que la siguiente sesión de ecuación se llevará a cabo según el intervalo de días programado.



3.13 Pantalla de LCD conectable - datos en tiempo real

Retire la protección de goma del enchufe de la parte frontal del controlador y conecte la pantalla. La pantalla se puede conectar en caliente, esto quiere decir que el cargador puede estar funcionando mientras se enchufa la pantalla.



La siguiente información aparecerá si se pulsa el botón "-" (por orden de aparición):

Información mostrada	Iconos	Segmentos	Unidades
Tensión de la batería y corriente de carga		28.8	50 A
Corriente de carga de la batería		50.0	A
Tensión de la batería		28.80	V
Potencia de carga de la batería		120.0	W
Temperatura de la batería ⁽¹⁾		25.0, ---, Err	°C/°F
Temperatura del cargador ⁽¹⁾		25.0, ---, Err	°C/°F
Corriente del panel		8.5	A
Tensión del panel		85.0	V
Potencia del panel		135.0	W
Mensaje de aviso ⁽²⁾		1, nF	65
Mensaje de error ⁽²⁾		Err	2
Funcionamiento REMOTO ⁽²⁾		r-E, QeE	
Funcionamiento BMS ⁽²⁾		b7S	

Notas:

1) Se muestra una temperatura válida, --- = sin información del sensor o Err = datos del sensor no válidos.

2) Estos valores sólo son visibles cuando son relevantes.

Pulsando los botones "-" o "+" durante cuatro segundos se activa el modo de desplazamiento automático. Ahora todas las pantallas LCD se abrirán una a una en intervalos breves. Se puede salir del modo de desplazamiento automático pulsando brevemente los botones "-" o "+".

3.14 Pantalla de LCD conectable - Datos históricos

El controlador de carga realiza el seguimiento de varios parámetros relacionados con la producción de energía. Introduzca datos históricos pulsando el botón SELECT cuando esté en el modo monitor; aparecerá un texto deslizante. Pulse + o - para desplazarse por los distintos parámetros que se muestran en la tabla siguiente. Pulse el botón SELECT para dejar de desplazarse y mostrar el valor correspondiente. Pulse + o - para desplazarse por los distintos valores. En el caso de los valores diarios es posible desplazarse hasta los valores de 30 días atrás (los datos se hacen disponibles con el tiempo). Una pequeña ventana emergente muestra el día correspondiente. Pulse SELECT para abandonar el menú histórico y volver al modo monitor. También puede pulsar SETUP para regresar al texto deslizante.

Texto deslizable	Iconos ⁽¹⁾	Segmentos	Unidades	Información mostrada
yi EL d tOTAL		258,0	kWh	Producción total
LAsE ErrOr		E0 2		Total de errores 0 (más reciente)
		E1 0		Total de errores 1 (se muestra si está disponible)
		E2 0		Total de errores 2 (se muestra si está disponible)
		E3 0		Total de errores 3 (se muestra si está disponible)
PARtEL uDLtAgE rAhI rUg		U 95,0	V	Tensión máxima total del panel
bARtErY uDLtAgE rAhI rUg		H 28,8	V	Tensión máxima total de la batería
yi EL d		y 8,6	kWh día	Producción diaria
bARtErY uDLtAgE rAhI rUg		H 28,8	V día	Tensión máxima diaria de la batería
bARtErY uDLtAgE rAhI rUg		L 25,0	V día	Tensión mínima diaria de la batería
LAsE ErrOr		E0 2	Día	Error diario 0 (más reciente)
		E1 0	Día	Error diario 1 (se muestra si está disponible)
		E2 0	Día	Error diario 2 (se muestra si está disponible)
		E3 0	Día	Error diario 3 (se muestra si está disponible)
tI rE bULH		tb 60	Día	Tiempo transcurrido cada día en carga inicial o ESS (minutos)
tI rE AbSO-PtI On		tA 30	Día	Tiempo transcurrido cada día en absorción (minutos)
tI rE FLtARt		tF 630	Día	Tiempo transcurrido cada día en flotación (minutos)
rAhI rUg POrtEr		P 735	W día	Potencia máxima diaria
bARtErY CUrrEntE rAhI rUg		C 50,0	A día	Corriente máxima diaria de la batería
PARtEL uDLtAgE rAhI rUg		U 95,0	V día	Tensión máxima diaria del panel

Nota:

Cuando el cargador esté inactivo (por la noche) los iconos de carga inicial, absorción y flotación aparecerán como en la tabla más arriba.

Cuando el cargador esté activo aparecerá un solo icono: el icono correspondiente al estado de carga en que se encuentre en ese momento.

3.15 Pantalla de LCD conectable - Menú de configuración

- Para abrir el menú SETUP mantenga pulsado el botón SETUP durante tres segundos. Se iluminará el icono de "Menú" y aparecerá un texto deslizable.
- Pulse los botones "-" o "+" para desplazarse por los distintos parámetros.



- c. La siguiente tabla muestra por orden de aparición todos los parámetros que se pueden configurar pulsando el botón "-".
- d. Pulse SELECT: el parámetro a cambiar empezará a parpadear.
- e. Utilice los botones "-" o "+" para elegir el valor deseado.
- f. Pulse SELECT para confirmar el cambio, el valor dejará de parpadear y el cambio quedará fijado.
- g. Pulse SETUP para volver al menú de parámetros. Con los botones "-" o "+" se puede ahora desplazar hasta otro parámetro que deba modificarse.
- h. Para regresar al modo normal, pulse SETUP durante tres segundos.

Texto deslizando	Iconos	Segmentos	Unidades	Función o parámetro
01 PD:Er On OFF	Menu Charging 	On,OFF		Interruptor ON/OFF:
02 ĀAH:ĀWĀ ChArGE CURrEnt	Menu	1.0-100.0	A	Corriente máxima de carga
03 bAbtErY vOLtAGE	Menu	12-14.8	V	Tensión del sistema
04 ChArGE ALgOrItH	Menu	0,7-1,5Er	Tipo	Algoritmo de carga (1)
05 AbsOrPtI On vOLtAGE	Menu	15.0-28.8-34.8	V	Tensión de absorción (2)
06 FLDRt vOLtAGE	Menu	15.0-27.6-34.8	V	Tensión de flotación (2)
08 EQvALIZArI On vOLtAGE	Menu	15.0-32.4-34.8	V	Tensión de equalización (2)
09 AutO:ArI C EQvALIZArI On	Menu	OFF,Auto		Equalización automática (3)
10 ĀArWArE EQvALIZArI On	Menu	StArT,StoP		Equalización manual (4)
11 rELAY ĀODE	Menu	rEL. OFF,1-3-10		Función del relé (5)
12 rELAY LO: vOLtAGE	Menu	Lb 15.0-20.0-34.8	V	Ajuste de alarma de tensión baja en la batería
13 rELAY CLear LO: vOLtAGE	Menu	Lbc 15.0-21.0-34.8	V	Borrar alarma de tensión baja en la batería
14 rELAY HI 9h vOLtAGE	Menu	Hb 15.0-33.0-34.8	V	Ajuste de alarma de tensión alta en la batería
15 rELAY CLear HI 9h vOLtAGE	Menu	Hbc 15.0-32.0-34.8	V	Borrar alarma de tensión alta en la batería
16 rELAY HI 9h PArNEL vOLtAGE	Menu	U 1.0-150.0	V	Ajuste de alarma de tensión alta en el panel

Texto deslizando	Iconos	Segmentos	Unidades	Función o parámetro
17 rELAY CLEAR nI 9h PRnEL uDLtAGE	Menu	Uc 1.0-149.0-150.0	V	Borrar alarma de tensión alta en el panel
18 rELAY nI nI nI cLOSEd bI nE	Menu	r7C 0-500		Tiempo mínimo de cierre del relé (minutos)
20 tEtPErAtUrE cDnPEnSAEt Dn	Menu	-5.0-27.0.0	°C mV	Compensación de temperatura de la batería por celda (2)
22 bULM bI nE PRDbECt bDn	Menu	OFF, 10	H	Protección de tiempo de carga inicial
21 tAL CURrEnt	Menu	0.0-2.0-100.0	A	Corriente de cola
23 nAh nI AbSDrPEt Dn bI nE	Menu	1.0-6.0-24.0	H	Tiempo de absorción
28 rEbULM OFFSEt uDLtAGE	Menu	0.0-1.0-10-5.20	V	Tensión de compensación de recarga inicial (extraída del ajuste 6)
29 LD: tEtPErAtUrE CHArGE CURrEnt	Menu	0.0-100.0	A	Máxima corriente de carga por debajo del nivel bajo de temperatura (elemento 30)
30 LD: tEtPErAtUrE LEvEL	Menu	-10.0-5-10.0	°C	Bajo nivel de temperatura (para el elemento 29)
31 b75 PRSEnt	Menu	b75 y,n		BMS presente (6)
35 LDAd nDdE	Menu	LDAd 0-1-6		Control de carga (7)
36 LDAd LD: uDLtAGE	Menu	Ll 16.0-20.0-34.8		Cargar baja tensión definida por el usuario
37 LDAd H 9H uDLtAGE	Menu	Lh 16.0-28.0-34.8		Cargar alta tensión definida por el usuario
40 nAh nI EQUALIZArEt Dn bI nE	Menu	1.0-4.0-24.0	h	Tiempo máximo de equalización automática
41 EQUALIZArEt Dn AutD StDP	Menu	y,n		La equalización sedetiene cuanso se alcanza la tñsion (parámetro 8)
42 EQUALIZArEt Dn CURrEnt PErCEntAGE	Menu	0-25-100		Porcentaje de correinee de equalización (porcentaje del parámetro 2)
49 bACHLIZhE IntEnSI tY	Menu	0-1		Intensidad de la retroiluminación
50 bACHLIZhE AL:RyS Dn	Menu	OFF, Dn, AutD		Apagado automático de la retroiluminación a los 60 s (8)
51 ScROLL SPEED	Menu	1-3-5		Velocidad de deslizamiento del texto
57 rH nDdE	Menu	rH 0-3		Puerto VE.Direct modo pin RX (9)



Texto deslizando	Iconos	Segmentos	Unidades	Función o parámetro
58 E.H. rDde	Menu g.	E.H. 0-4		Puerto VE.Direct modo pin TX (10)
59 E.A. Addr.ESS	Menu g.	nA 0-255		Dirección de red VE.Can
60 E.A. dEul CE i nStAnCE	Menu g.	di 0-255		Instancia de dispositivo VE.Can
61 SOFt:ArE uErSi On	Menu	l, n		Versión de software
62 rESEDrE dEFaULtS	Menu	rESEt		Restablecer ajustes predeterminados(11)
63 CLERr hi StOrY	Menu	CLERr		Restablecer el histórico de datos (12)
64 L0CH SEtUP	Menu	L0CH 0, n		Bloquear ajustes
67 tE:PErArE UrE Un t	Menu j	CELC.FAr		Unidad de temperatura °C/°F

Notas:

- 1) El tipo de batería definido de fábrica se puede seleccionar con el selector giratorio situado al lado del conector VE.Direct. Aquí se mostrará el tipo seleccionado. Se puede ajustar como un tipo definido de fábrica o USER.
- 2) Estos valores SOLO se pueden modificar para el tipo de batería USER. Los valores de la tabla son para baterías de 24V.
- 3) La equalización automática se puede poner en OFF (valor por defecto) o en un número entre 1 (todos los días) y 250 (una vez cada 250 días). Puede consultar más información sobre la equalización automática en la sección 3.8.
- 4) Para permitir que el cargador equalice la batería adecuadamente, use la opción de equalización manual únicamente durante los periodos de absorción y flotación, y cuando haya suficiente luz solar. Pulse SELECT: el texto "StAr t" parpadeará, pulse SELECT otra vez para comenzar la equalización. Si quiere finalizar el modo equalización anticipadamente, entre en el menú de configuración y vaya hasta el ajuste 10, pulse SELECT: el texto "StDP" parpadeará, pulse SELECT otra vez para detener la equalización. La equalización manual dura una hora.
- 5) Función del relé (ajuste 11):

Valor	Descripción
0	Relé siempre apagado
1	Tensión del panel alta (ajustes 17 y 18)
2	Temperatura interna alta (>85 °C)
3	Tensión de la batería demasiado baja (ajustes 12 y 13, por defecto)
4	Equalización active
5	Condición de error presente
6	Temperatura interna baja (<-20 °C)
7	Tensión de la batería demasiado alta (ajustes 14 y 15)
8	Cargador en flotación o almacenamiento
9	Detección diaria (paneles irradiados)
10	Control de carga (el relé conmuta según el modo de control de carga, ver ajuste y nota 7)

- 6) El parámetro BMS presente se pondrá en «Y» (sí) de manera interna cuando se detecte un BMS compatible. El ajuste 31 puede usarse para revertir el cargador a su operación normal (es decir, sin BMS) poniéndolo manualmente en «N» (no). (por ejemplo, si el cargador se lleva a otro lugar dónde no es necesario un BMS, el «Y» (sí) es no puede configurarse manualmente).
- 7) Modo de control de carga (ajuste 35).
Para utilizar el relé (ajuste 11, valor 10), o el puerto VE.Direct (ajuste 58, valor 4) para controlar una carga según las opciones siguientes:



Valor	Descripción
0	Salida de carga siempre apagada
1	Algoritmo BatteryLife(por defecto)
2	Algoritmo convencional 1 (apagado<22,2V, encendido>26,2V)
3	Algoritmo convencional 2 (apagado<23,6V, encendido>28,0V)
4	Salida de carga siempre encendida
5	Algoritmo definido por el usuario 1 (apagado<20,0V, encendido>28,0V)
6	Algoritmo definido por el usuario 2 (apagado<20,0V<encendido>28,0V<apagado)

8) El apagado automático de la retroiluminación tiene las siguientes opciones:
 OFF=retroiluminación siempre encendida, ON=la retroiluminación se atenuará pasados 60 s sin pulsar ninguna tecla, AUTO=la retroiluminación estará encendida durante la carga, si no se atenuará.

9) Puerto VE.Direct modo pin RX (ajuste 57)

Valor	Descripción
0	On/Off remoto (por defecto) . Puede usarlo un VE.Bus BMS para control de encendido/apagado (en vez de conectar el BMS al puerto On/Off remoto). Se necesita un cable no inversor On/Off remoto para VE.Direct. (ASS030550310)
1	Ninguna función.
2	El pin RX puede desenergizar el relé (relé desactivado), si se ha habilitado la función de relé 10 del ajuste 11 (ver nota 5, valor 10). Las opciones de control de carga (ajuste 35) siguen siendo válidas. En otras palabras, se crea una función "AND": tanto el control de carga como el pin RX deben ser altos (valor=2) o bajos (valor=3) para energizar el relé.
3	

10) Puerto VE.Direct modo pin TX (ajuste 58)

Valor	Descripción
0	Comunicación VE.Direct normal (por defecto) Por ejemplo, para comunicarse con un panel ColorControl (se necesita un cable VE.Direct)
1	Impulso cada 0,01 kWh
2	Control de intensidad de la luz (pwm normal) se necesita un cable de salida digital TX (ASS0305505500)
3	Control de intensidad de la luz (pwm invertido) se necesita un cable de salida digital TX (ASS0305505500)
4	Modo de control de carga: el pin TX conmuta según el modo de control de carga, ver nota 7. Se necesita un cable de salida digital TX (ASS0305505500) para la comunicación con un puerto de control de carga de nivel lógico.

11) Pulse SELECT: el texto "rESEt" parpadeará, pulse SELECT otra vez para restablecer los ajustes originales de fábrica. El cargador se reiniciará. Los datos históricos no se verán afectados (contador de kWh, etc.)

12) Pulse SELECT: el texto "CLER" parpadeará, pulse SELECT otra vez para borrar los datos históricos (contador de kWh, etc.) Tenga en cuenta que esto puede tardar unos segundos.

Nota: cualquier modificación de los ajustes realizada con la pantalla LCD o vía Bluetooth anulará la configuración del selector giratorio. Al desplazar el selector giratorio se anularán los ajustes realizados previamente con la pantalla LCD o vía Bluetooth.

Aviso:

Algunos fabricantes de baterías recomiendan un periodo de equalización de corriente constante, y otros no. No utilice la equalización de corriente constante a menos que lo recomiende el proveedor de baterías.



4. Resolución de problemas

Problema	Causa posible	Solución
El cargador no funciona	Conexión inversa de las placas FV	Conecte las placas FV correctamente
	Conexión inversa de la batería	Fusible no reemplazable fundido. Devolver a VE para su reparación
La batería no está completamente cargada	Conexión defectuosa de la batería	Compruebe las conexiones de la batería
	Las pérdidas por cable son demasiado altas	Utilice cables de mayor sección.
	Diferencia considerable entre la temperatura ambiente del cargador y la de la batería ($T_{\text{ambient_chrg}} > T_{\text{ambient_batt}}$)	Asegúrese de que las condiciones ambientales del cargador y la batería son iguales.
	<i>Únicamente para un sistema de 24 ó 48V:</i> tensión del sistema seleccionada incorrectamente (p.ej.: 12V en vez de 24V) por el controlador de carga.	Configure el controlador manualmente con la tensión de sistema requerida.
Se está sobrecargando la batería	Una celda de la batería está defectuosa	Sustituya la batería
	Diferencia considerable entre la temperatura ambiente del cargador y la de la batería ($T_{\text{ambient_chrg}} < T_{\text{ambient_batt}}$)	Asegúrese de que las condiciones ambientales del cargador y la batería son iguales.

EN

NL

FR

DE

ES

SE

Appendix

Con la pantalla LCD conectable o con VictronConnect y siguiendo los siguientes procedimientos, la mayoría de los errores se pueden identificar rápidamente. Si un error no se puede resolver, consulte al proveedor de Victron Energy.

Nº error	Problema	Causa/Solución
n. d.	La pantalla LCD no se enciende (ni retroiluminación, ni datos en pantalla)	La fuente de alimentación interna que alimenta al convertidor y a la retroiluminación se deriva ya sea del conjunto de placas solares o de la batería. Si la tensión FV y la de la batería están ambas por debajo de 6 V, la LCD no se iluminará. Compruebe que la pantalla de LCD está correctamente conectada.
n. d.	La pantalla LCD no se enciende (la retroiluminación funciona, no hay datos en pantalla, el cargador parece funcionar)	Esto puede deberse a una temperatura ambiente baja. Si la temperatura ambiente es inferior a -10 °C (14 °F) los segmentos de LCD pueden perder nitidez. Por debajo de -20 °C (-4 °F) los segmentos de LCD pueden volverse invisibles. Durante la carga, la pantalla LCD se calentará y la pantalla volverá a ser visible.
n. d.	El controlador de carga no carga la batería.	La pantalla LCD indica que la corriente de carga es de 0 A. Compruebe la polaridad de los paneles solares. Compruebe el disyuntor de la batería Compruebe si hay alguna indicación de error en la pantalla LCD Compruebe que el cargador está en ON en el menú. Compruebe que el interruptor remoto está conectado. Compruebe si se ha seleccionado la tensión del sistema adecuada.
n. d.	Temperatura alta: el icono de temperatura parpadea.	Este error desaparecerá automáticamente cuando la temperatura haya bajado. Corriente de salida reducida debido a altas temperaturas. Compruebe la temperatura ambiente y que no haya ninguna obstrucción cerca del disipador de calor.
Err 2	La tensión de la batería es demasiado alta (>76,8 V)	Este error desaparecerá automáticamente cuando la tensión de la batería haya bajado. Este error puede deberse a otros equipos de carga conectados a la batería o a un fallo en el controlador de carga.
Err 17	Sobrecalentamiento del controlador a pesar de una corriente de salida reducida	Este error desaparecerá automáticamente cuando el cargador se haya enfriado. Compruebe la temperatura ambiente y que no haya ninguna obstrucción cerca del disipador de calor.
Err 18	Sobreintensidad del controlador.	Este error desaparecerá automáticamente. Desconecte el controlador de carga de todas las fuentes de alimentación, espere tres minutos y vuelva a conectar. Si el error persiste, es probable que el controlador esté averiado.
Err 20	Se ha excedido el tiempo de carga inicial.	Este error puede aparecer cuando la protección de tiempo de carga inicial está

Nº error	Problema	Causa/Solución
		activada. Este error no desaparecerá automáticamente. Este error se genera cuando la tensión de absorción de la batería no se alcanza después de 10 horas de carga. Se recomienda no utilizar la protección de carga inicial máxima en instalaciones solares normales.
Err 21	Problema con el sensor de corriente	Probablemente el controlador de carga está averiado. Este error no desaparecerá automáticamente.
Err 26	Terminal sobrecalentado	Terminales de conexión sobrecalentados, compruebe el cableado y apriételes si fuese posible. Este error desaparecerá automáticamente.
Err 33	Sobretensión de FV	Este error desaparecerá una vez la tensión FV haya bajado hasta su límite de seguridad. Este error indica que la configuración del conjunto de FV con respecto a la tensión de circuito abierto es crítica para este cargador. Revise la configuración y, si fuera necesario, reorganice los paneles.
Err 34	Sobreintensidad de FV	La corriente del conjunto de paneles solares ha superado los 75 A. Este error podría generarse por un fallo interno del sistema. Desconecte el cargador de todas las fuentes de alimentación, espere tres minutos y vuelva a conectar. Si el error persiste, es probable que el controlador esté averiado. Este error desaparecerá automáticamente.
Err 38	Cierre de la entrada por sobretensión de la batería.	Para evitar que la batería se sobrecargue la entrada del panel se cierra. Para solucionar este problema primero desconecte los paneles solares y luego la batería. Espere tres minutos y vuelva a conectar primero la batería y a continuación los paneles. Si el error persiste, es probable que el controlador de carga esté averiado.
Inf 65	Error de comunicación	Se ha perdido la comunicación con uno de los controladores en paralelo. Para eliminar el error, apague y vuelva a encender el controlador.
Inf 66	Dispositivo incompatible	El controlador ha sido conectado en paralelo con otro controlador que tiene distinta configuración y/o distinto algoritmo de carga. Asegúrese de que la configuración es la misma y actualice el <i>firmware</i> de todos los cargadores a la última versión.
Err 67	Conexión con el BMS perdida	Si se pierde la conexión con el BMS, compruebe la conexión (cableado/enlace de Bluetooth). Cuando el cargador tenga que funcionar en modo independiente otra vez, cambie el ajuste de BMS de 'Y' a 'N' (ajuste 31).
Err 114	Temperatura de la CPU demasiado alta.	Este error desaparecerá cuando la CPU se haya enfriado. Si el error persiste, compruebe la temperatura ambiente y que no hay obstrucciones cerca de la entrada y de las salidas de aire de la carcasa del cargador.

Nº error	Problema	Causa/Solución
		Consulte en el manual las instrucciones de montaje en relación con la refrigeración. Si el error persiste, es probable que el controlador esté averiado.
Err 116	Datos de calibración perdidos	Este error no desaparecerá automáticamente.
Err 119	Datos de ajuste perdidos	Este error no desaparecerá automáticamente. Restaurar valores por defecto en el menú de configuración (ajuste 62). Desconecte el controlador de carga de todas las fuentes de alimentación, espere tres minutos y vuelva a conectar.

Si tuviera alguna duda, consulte Preguntas Más Frecuentes (P+F):

https://www.victronenergy.com/live/drafts:mppt_faq



5. Especificaciones

Controlador de carga SmartSolar	MPPT 150/70	MPPT 150/100
Tensión de la batería	Selección automática 12/24/48V (36V manual)	
Corriente máxima de la batería	70A	100A
Potencia FV nominal , 12V 1a,b)	1000W	1450W
Potencia FV nominal , 24V 1a,b)	2000W	2900W
Potencia FV nominal , 36V 1a,b)	3000W	4350W
Potencia FV nominal , 48V 1a,b)	4000W	5800W
Máx.corriente de corto circuito de FV 2)	50A (máx. 30A por conector MC4)	70A (máx. 30A por conector MC4)
Tensión máxima del circuito abierto FV	150V máximo absoluto en las condiciones más frías 145V en arranque y funcionando al máximo	
Eficiencia máxima	98%	
Autoconsumo	Inferior a 35mA a 12V / 20mA a 48V	
Tensión de carga de "absorción"	Valores pred.: 14,4V / 28,8V / 43,2V / 57,6V (regulable)	
Tensión de carga de "flotación"	Valores pred.: 13,8V / 27,6V / 41,4V / 55,2V (regulable)	
Tensión de carga de "equalización"	Valores pred.: 16,2V / 32,4V / 48,6V / 64,8V (regulable)	
Algoritmo de carga	Variable multietapas (ocho algoritmos preprogramados) o algoritmo definido por el usuario	
Compensación de temperatura	-16mV/°C / -32mV/°C / -64mV/°C	
Protección	Polaridad inversa de la batería (fusible, no accesible por el usuario) Polaridad inversa/Cortocircuito de salida/Sobretemperatura	
Temperatura de trabajo	De -30 a +60°C (potencia nominal completa hasta los 40°C)	
Humedad	95%, sin condensación	
Altura máxima de trabajo	5.000 m (potencia nominal completa hasta los 2.000 m)	
Condiciones ambientales	Para interiores, no acondicionados	
Grado de contaminación	PD3	
Puerto de comunicación de datos	VE.Can, VE.Direct o Bluetooth	
Interruptor on/off remoto	Sí (conector bifásico)	
lé (programable)	DPST Capacidad nominal CA: 240VCA/4* Capacidad nominal CC: 4A hasta 35VCC, 1A hasta 60VCC	
Funcionamiento en paralelo	Sí	
CARCASA		
Color	Azul (RAL 5012)	
Terminales FV	35mm ² / AWG2 (modelos Tr), o tres pares de conectores MC4 (modelos MC4)	
Bornes de la batería	35mm ² / AWG2 o tres conjuntos de conectores MC4	
Grado de protección	IP43 (componentes electrónicos) IP 22 (área de conexiones)	
Peso	3kg	4,5kg
Dimensiones (al x an x p)	185 x 250 x 95 mm	216 x 295 x 103 mm
NORMATIVAS		
Seguridad	EN/IEC 62109-1, UL 1741, CSA C22.2	
1a) Si se conecta más potencia FV, el controlador limitará la entrada de potencia.		
1b) La tensión FV debe exceder Vbat + 5V para que arranque el controlador. Una vez arrancado, la tensión FV mínima será de Vbat + 1V.		
2) Una corriente de cortocircuito más alta podría dañar el controlador en caso polaridad inversa de la conexión de los paneles FV.		
3) Valores predeterminados: OFF		

EN

NL

FR

DE

ES

SE

Appendix



1. Allmän beskrivning

Bluetooth Smart inbyggd: ingen dongle krävs

Den trådlösa lösningen för att ställa in, övervaka och uppdatera regulatorn genom att använda Apple- och Android-smarttelefoner, surfplattor eller andra enheter.

VE.Direc- port och två VE.Can-portar

För en ansluten dataförbindelse till en Color Control, Venus GX, PC eller andra enheter.

Fjärrstyrd av/på ingång

Av/på-styrning med hjälp av VE.Bus BMS vid laddning av Li-ion batterier.

Programmerbart relä

Kan programmeras (med t.ex. en smarttelefon) att utlösas vid larm eller andra händelser.

Tillval: Instickbar LCD-skärm

Ta bara bort plasten som skyddar kontakten på framsidan av övervakaren och koppla in skärmen.

Ultrasnabb Maximum Power Point Tracking (MPPT)

Särskilt i molnig väderlek när ljusintensiteten växlar hela tiden kommer den ultrasnabba MPPT-regulatorn att förbättra energiupptagningen med upp till 30 % jämfört med PWM-laddningsregulatorer och upp till 10 % jämfört med långsammare MPPT-regulatorer.

Avancerad Max Power Point Detection i händelse av partiell skuggning.

Om partiell skugga förekommer kan två eller flera maximala effektpunkter förekomma på effektspänningskurvan. Traditionella MPPT-enheter har en tendens att låsa mot en lokal MPP, vilket kanske inte är den optimala MPP-enheten. Den innovativa SmartSolar -algoritmen maximerar alltid energiupptagningen genom att låsa mot en optimal MPP.

Enastående konverteringseffektivitet

Ingen kylfläkt. Maximal effektivitet överskrider 98 %. Full utgående ström upp till 40°C.

Utökat elektroniskt skydd

Skydd mot övertemperatur och effektminskning vid hög temperatur. Skydd mot omvänd polaritet för solceller.

Invändig temperatursensor.

Kompenserar absorption och spänningar genom floatladdning för temperatur (intervall 6 °C till 40 °C).

Valfri extern spännings- och temperaturgivare (intervall - 20 °C till 50 °C).

Smart Battery Sense är en trådlös batterispännings- och temperaturgivare för Victron MPPT solladdare. Solladdaren använder dessa mätningar för att optimera sina laddningsparametrar. Noggrannheten i de data som överförs kommer att förbättra batteriets laddningseffektivitet och förlänga batteriets livslängd.

Alternativt kan Bluetooth-kommunikation ställas in mellan en BMV-712-batteriovervakare med batteritemperaturgivaren och solladdningsregulatorn.

För mer information ange *smart nätverk* i sökrutan på vår webbplats.

Automatisk igenkänning av batterispänning

Regulatorerna ställer automatiskt om för ett 12, 24 eller 48 V-system, **en gång**. Om en annan systemspänning krävs vid ett senare tillfälle måste detta ändras manuellt, till exempel med Bluetooth-appen eller med den valfria LCD-skärmen. På samma sätt krävs manuell inställning vid 36 V-system.

Flexibel laddningsalgoritm

Fullt programmerbar laddningsalgoritm och åtta förprogrammerade laddningsalgoritmer som kan väljas med en roterande brytare.

Anpassningsbar trestegsladdning

SmartSolar MPPT laddningsregulator är utformad för en trestegs laddningsprocess: Bulk – Absorption - Float.

Det är även möjligt att programmera en regelbunden utjämningsladdning: se avsnitt 3.12 i denna manual.

Bulk

I detta skede levererar regulatorn så mycket laddningsström som möjligt för att snabbt ladda batterierna.

Absorption

När batterispänningen når inställd absorptionsspänning, ställer regulatorn om till konstant spänningsinställning.

När enbart mindre urladdningar förekommer, hålls absorptionstiden nere för att förhindra överladdning av batteriet. Efter en djup urladdning ökas absorptionstiden automatiskt för att säkerställa att batteriet laddas upp fullständigt. Dessutom avslutas även absorptionstiden när laddningsströmmen minskar till under 2A.

Float

I detta skede appliceras floatspänningen på batteriet för att hålla det fulladdat.

Utjämnning

Hänvisning till avsnitt 3.12.

Konfiguration och övervakning

Konfigurera solladdarens kontroller med VictronConnect-appen. Finns för iOS- och Android-enheter samt macOS- och Windows-datorer. Ett tillbehör kan behövas. Ange victronconnect i sökrutan på vår webbplats och se nedladdningssidan för VictronConnect för detaljer.

För enkel övervakning använd MPPT-kontrollen; en panelmonterad enkel men effektiv display som visar alla driftsparametrar. Full systemövervakning inklusive loggning till vår onlineportal, VRM, görs med GX-produktsortimentet.



MPPT Control



Color Control



Venus GX

2. VIKTIGA SÄKERHETSFÖRESKRIFTER

SPARA FÖRESKRIFTERNA – Den här manualen innehåller viktiga föreskrifter som ska följas under installation och vid underhåll.



Fara för explosion från gnistbildning

Fara för elstötar

- Läs denna manual noggrant innan enheten installeras och tas i bruk.
- Produkten är utvecklad och testad i enlighet med internationella standarder. Utrustningen bör endast användas för sitt avsedda användningsområde.
- Installera produkten i en värmetålig miljö. Säkerställ därför att det inte finns några kemikalier, plastdelar, gardiner eller andra textilier, etc. i utrustningens omedelbara närhet.
- Om det inte finns en kabellåda får produkten inte monteras i områden där användare har åtkomst.
- Säkerställ att utrustningen används under korrekta, avsedda förhållanden. Använd aldrig produkten i fuktiga miljöer.
- Använd inte produkten på platser där gas- eller dammexplosioner kan inträffa.
- Säkerställ att det alltid finns tillräckligt fritt utrymme för ventilation runt enheten.
- Hänvisning till tillverkarens instruktioner för batteriet för att säkerställa att batteriet passar för användning tillsammans med denna produkt. Batteritillverkarens säkerhetsinstruktioner bör alltid respekteras.
- Skydda solarpanelmodulerna från infallande ljus under installationen, t.ex genom att täcka över dem.
- Berör aldrig oisolerade kabeländar.
- Använd enbart isolerade verktyg.
- Anslutningar måste alltid göras i den ordning som beskrivs i avsnitt 3.4.
- Om det inte finns en kabellåda måste personen som installerar produkten tillhandahålla kabeldragavlastning för att förhindra överbelastning av anslutningarna.
- Utöver denna manual måste systemdriften eller servicemanualen innehålla en manual för underhåll av den batterityp som används.

- Använd en flexibel flertrådig kopparkabel till batteri och PV-anslutningar. Maximal diameter på de enskilda trådarna är 0,4 mm/0,125 mm² (AWG26).

En 25 mm² kabel bör t.ex. ha minst 196 trådar (klass 5 eller högre tvinning enligt VDE 0295, IEC 20228 och BS6360).

En AWG2-kabel bör ha minst 259/26 tvinning (259 trådar av AWG26).

Maximal drifttemperatur: ≥ 90 °C.

Exempel på lämplig kabel: klass 5 "tri-klassad" kabel (som uppfyller tre standarder): amerikansk (UL), kanadensisk (CSA) och brittisk (BS).

Med tjockare trådar kommer kontaktarean att vara för liten och det resulterande höga kontaktmotståndet kommer att orsaka allvarlig överhettning och så småningom brand.



- Maxström genom en MC4-terminal: 30 A
- Jordningsterminalen är belägen i kabelfacket och identifieras med symbolen nedan:



Ground Symbol

3. Montering

VARNING: DC-INGÅNGEN ÄR INTE ISOLERAD FRÅN BATTERIKRETSEN
VIKTIGT! OMGIVNINGEN KRING BATTERIET OCH LADDAREN FÅR INTE SKILJA MER ÄN 5°C FÖR ATT TEMPERATURKOMPENSATIONEN SKA FUNGERA KORREKT.

3.1. Allmänt

- Montera vertikalt på ett icke brännbart underlag med strömterminalerna vända nedåt. Säkerställ en fri yta på minst 10 cm både under och över produkten för optimal nedkylning
- Montera dem nära batteriet, men aldrig direkt ovanför batteriet (för att förhindra skador på grund av gasning från batteriet).
- Felaktig intern temperaturkompensation (t.ex. om omgivningen kring batteriet och laddaren skiljer sig mer än 5°C), kan leda till att batteriets livslängd förkortas.

Vi rekommenderar att du använder ett batteri med direkt spänningsavkänningskälla (BMV, Smart Battery Sense eller GX-enhet med delad spänningsavkänning) om större temperaturskillnader eller extrema omgivningstemperaturförhållanden förväntas.

- Batteriinstallationen måste utföras enligt reglerna om förvaringsbatterier i de kanadensiska elföreskrifterna [Canadian Electrical Code], del I.
- Batterianslutningarna (och för Tr-versionen även solcellsanslutningar) måste skyddas mot oavsiktliga kontakter (t.ex. installeras med ett hölje eller med kabellådan WireBox som finns som tillval).

Tr modeller: använd en flexibel flertrådig kopparkabel till batteri och PV anslutningar: hänvisning till säkerhetsinstruktionerna.

MC4- modeller: flera splitterkablar kan behövas för att parallellkoppla raderna av solcellspaneler. Maxström genom en MC4-terminal: 30 A.

3.2 Jordning

- **Batterijordning:** laddaren kan installeras i ett positivt eller negativt jordat system.
Obs: använd endast en jordad anslutning för att undvika felaktig funktion av systemet.
- **Chassijordning:** En separat jordad väg är tillåten för chassijorden eftersom den är isolerad från den positiva och negativa terminalen.
- Enligt NEC (USA:s nationella elföreskrifter) måste man använda ett externt jordfelskydd (GFPD). Victron MPPT-laddare har inget internt jordfelskydd. Systemets elektriska negativa pol ska bindas till jorden genom ett jordfelskydd på en (och endast en) plats.
- Laddaren får inte anslutas till jordade solcellspaneler. (endast en jordad anslutning).
- Plus- och minus på solcellspanelen ska inte vara jordade. Jorda ramen på solcellspanelerna för att minska påverkan av blixten.



VARNING: OM ETT JORDFEL VISAS KAN DET INNEBÄRA ATT BATTERITERMINALERNA OCH ANSLUTNA KRETSAR ÄR OJORDADE OCH FARLIGA.

3.3 Solcellskonfiguration (se även MPPT-Excelbladet på vår webbsida)

- Se till att det är möjligt att koppla bort alla strömförande ledare i en solcellskälla från alla andra ledare i en byggnad eller annan struktur.
- En switch, kretsbrytare eller någon annan anordning, antingen ac eller dc, får inte installeras i en jordad ledare om användning av den switchen, kretsbrytaren eller andra anordningen lämnar den jordade ledaren i ett ojordat läge medan systemet är strömförande.
- Regulatorn fungerar bara om solcellsspänningen överskrider batterispänningen (V_{bat}).
- Solcellsspänningen måste överskrida $V_{bat} + 5V$ för att regulatorn ska starta. Därefter är minimal solcellsspänning $V_{bat} + 1$ volt.
- Maximal tomgångsspänning PV: 150V eller 250V, beroende på modell

Till exempel:

24 V batteri och mono- eller polykristallina paneler, maximal solcellsspänning 150 V:

- Minimum antal celler i serie: 72 celler (2x 12V panel seriekopplad eller en 24V panel).
- Rekommenderat antal celler för högsta regulator effektivitet: 144 celler (4x 12V panel eller 2x24V panel seriekopplad).
- Maximum: 216 celler (6x12V eller 3x 24V panel seriekopplad).

48V batteri och mono- eller polykristallina paneler, maximal solcellsspänning 250 V:

- Minimum antal celler i serie: 144 (4x12V panel eller 2x24V panel seriekopplad).
- Maximum: 360 celler (10x12V eller 5x 24V panel seriekopplad).

Anmärkning: Vid låga temperaturer kan tomgångsspänningen i en 210 solcellspanel överstiga 150 V och tomgångsspänningen på en 300 cellspanel överstiga 250 V beroende på lokala förhållanden och cellspecifikationer. Då måste antalet celler i serien reduceras.

3.4 Kabelanslutningssekvens (se figur 1)

Första: Anslut batteriet.

Andra: vid behov, koppla ihop den fjärrstyrda av-och-påslagningen och det programmerbara reläet.

Tredje: Anslut solcellspanelerna (om de ansluts med omvänd polaritet kommer regulatorn att värmas upp men inte att ladda batteriet).

Vridmoment: 2,4 nm.

3.5 Fjärrstyrning på/av

Den vänstra terminalen är kopplad till den inre 3,3 V-försörjningen, med en seriekopplad resistor för att undvika kortslutning.

Den högra terminalen (markerad som + eller som H) kommer att slå på regulatorn om $>3 V$ används, och kommer att stänga av regulatorn om $<2 V$ används eller om regulatorn får flyta fritt.

Den rekommenderade användningen av den fjärrstyrda av-och-påslagningen är:

- En brytare som kopplas mellan stiften L-H.
- En brytare som kopplas mellan batteriets pluspol och H-stiftet.
- En brytare mellan L-stiftet och terminalen på en VE.Bus BMS för fränkoppling av laddning.

3.6 CAN-bussgränssnitt

Laddaren är utrustad med två CAN buss RJ45-kontakter.

Can-bussen på den här laddaren är inte galvaniskt isolerad. CAN-bussen ansluts till minus på batterianslutningen.

CAN-bussgränssnittet ansluts till jord om batteriets minuspol är jordad. Om det är ett positivt jordat system behövs en CAN-isoleringsmodul för att ansluta CAN-bussgränssnittet till jord.

Ändan på en CAN kabel ska vara försedd med ett bussuttag. Detta får man genom att sätta in ett bussuttag i en av de två RJ45-kontakterna och CAN-kabeln i den andra. Om det är en nod (två CAN kablar, en i varje RJ45 kontakt) behövs inte något uttag.

Försörjningsspänning (V+försörjning): 9 V-70 V

Maximal försörjningsström: 500 mA

Datahastighet: 250 kbps

CANH/CNL spänningstolerans: +-70 VDC

CAN-sändare/mottagare ISO-specifikation: ISO 11898-2:2016

För högsta möjliga flexibilitet används batterispänningen för V+ försörjningsledningen på VE.CAN. Detta innebär att all utrustning kopplad till VE.CAN blir en permanent belastning på batteriet.

3.7 Synkroniserad paralleldrift

Obs: Programvara ej ännu tillgänglig, beräknad under Q3 2019

Flera laddningsregulatorer kan synkroniseras med CAN-gränssnittet. Detta uppnås genom att enkelt sammankoppla laddarna med RJ45 UTP-kablar (busuttag krävs, se avsnitt 3.6). De parallella laddningsregulatorerna måste ha identiska inställningar (t.ex. laddningsalgoritm) CAN-kommunikationen säkerställer att regulatorerna kommer att byta simultant från en laddningsstatus till en annan (från t.ex. bulk till absorption). **Varje enhet kommer (och borde) reglera sin egen utgångsström**, beroende på bl.a. utgången på varje solcellspanel och kabelresistans.

Vid synkroniserad paralleldrift kommer nätverksikonen att blinka var tredje sekund på alla parallellkopplade enheter.

Solcellsingångarna ska inte parallellkopplas. Varje laddningsregulator måste kopplas till sin egen solcellspanel.

3.8 Energylagringsystem (ESS)

Ett energilagringssystem (ESS) är ett särskilt energisystem som integrerar nätanslutningar med en växelriktare/laddare från Victron, en Venusanordning och ett batterisystem. Det lagrar solcellsenergi i ditt batteri under dagen för senare användning när solen inte längre skiner.

Läs följande manual om hur man installerar ett ESS:

<https://www.victronenergy.com/live/ess:start>

3.9 Konfiguration av regulatören med den roterande brytaren

Fullt programmerbar laddningsalgoritm (se programvarusidan på vår hemsida) och åtta förprogrammerade laddningsalgoritmer som kan väljas med en roterande brytare:

Pos	Föreslagen batterityp	Absorption V	Float V	Utjämning V @%I _{nom}	dV/dT mV/°C
0	Gel Victron lång livslängd OPzV) Gel Exide A600 (OPzV) Gel MK	28,2	27,6	31,8 @8 %	-32
1	Gel Victron Deep Discharge Gel Exide A200 AGM Victron Deep Discharge Stationära rörplattbatterier (OPzS)	28,6	27,6	32,2 @8 %	-32
2	Standardinställning: Gel Victron Deep Discharge Gel Exide A200 AGM Victron Deep Discharge Stationära rörplattbatterier (OPzS)	28,8	27,6	32,4 @8 %	-32
3	AGM spiralcell Stationära rörplattbatterier (OPzS) Rolls AGM	29,4	27,6	33,0 @8 %	-32
4	PzS "tubular plate" - fordonsbatterier eller OPzS-batterier	29,8	27,6	33,4 @25 %	-32
5	PzS "tubular plate" - fordonsbatterier eller OPzS-batterier	30,2	27,6	33,8 @25 %	-32
6	PzS "tubular plate" - fordonsbatterier eller OPzS-batterier	30,6	27,6	34,2 @25 %	-32
7	Lithium Iron Phosphate (LiFePo ₄) batterier	28,4	27,0	n.a.	0

Obs 1: dela alla värden med två för 12 volts system och multiplicera dem med två för 48 volts system.

Obs 2: utjämningen är vanligtvis avstängd, se avsnitt 3.9 för att aktivera den (utjämna inte VRLA- och AGM-batterie)

Obs 3: alla inställningsändringar gjorda med den instickbara LCD-skärmen eller via Bluetoothg är överordnade inställningar gjorda med den roterande brytaren. Genom att vrida på brytaren styr återigen dessa inställningar över tidigare inställningar gjorda med den instickbara LCD-skärmen eller via Bluetooth.

En binär LED-kod hjälper till att fastställa den roterande brytarens position. Efter att den roterande brytaren har ändrat position blinkar LED-lamporna i 4 sekunder enligt följande:

Brytare position	LED Bulk	LED Abs	LED Float	Blinknings frekvens
0	1	1	1	Snabb
1	0	0	1	Långsam
2	0	1	0	Långsam
3	0	1	1	Långsam
4	1	0	0	Långsam
5	1	0	1	Långsam
6	1	1	0	Långsam
7	1	1	1	Långsam

Därefter återtas normal funktion enligt beskrivning i avsnittet om LED.

3.10 Lysdioder

LED-indikation:

- alltid på
- ◎ blinkar
- av

Normal drift

LED-lampor	Bulk	Absorption	Float
Laddar ej (*1)	◎	○	○
Bulk	●	○	○
Absorption	○	●	○
Manuell utjämning (blinka växelvis)	◎	◎	○
Automatisk utjämning	○	●	●
Float	○	○	●

Obs: (*1): Bulklampen blinkar snabbt var tredje sekund om systemet är strömsatt men det inte finns tillräckligt med kraft för att börja ladda.

Felmeddelanden

LED-lampor	Bulk	Absorption	Float
För hög laddningstemperatur	○	○	◎
Överström i laddare	◎	○	◎
Överspänning i laddare eller panel	○	◎	◎
VE.Smart nätverks- eller BMS-problem	○	◎	○
Internt fel (*2)	◎	◎	○

Obs: (*2): T.ex. kalibrerings- och/eller inställningsdata har förlorats, problem med strömsensorn.

3.11 Information om batteriladdning

Laddningsregulatorn startar en ny laddningscykel varje morgon när solen börja lysa.

Blybatterier: standardmetod för att bestämma längden och slutet på absorptionen

MPPT:s laddningsalgoritmbeetende skiljer sig från AC-anslutna batteriladdare. Läs detta avsnitt i manualen noggrant för att förstå MPPT-beetende och följ alltid rekommendationer från batteriets tillverkare.

Som standard bestäms absorptionstiden på tomgångsbatteriets spänning vid början av varje dag baserat på följande tabell:

Batterispänning Vb (@ uppstart)	Multiplikator	Maximal absorptionstid
$V_b < 11,9 \text{ V}$	x 1	6 t
$11,9 \text{ V} < V_b < 12,2 \text{ V}$	x 2/3	4 t
$12,2 \text{ V} < V_b < 12,6 \text{ V}$	x 1/3	2 t
$V_b > 12,6 \text{ V}$	x 1/6	1 t

(12 V-värden, justera för 24 V)

Absorptionstidsräknaren startar vid byte från bulk till absorption har skett.

MPPT-solladdaren kommer också att avsluta absorptionen och byta till flyt när batteriströmmen sjunker under ett lågt strömgränsvärde, "svansström". Standardvärdet för svansström är 2 A.

För modeller med en lastutgång används strömmen på batteriterpolerna och för de större modellerna används strömmen på utgångarna.

Standardinställningarna (spänningar, absorptionsmultiplikator och svansström) kan ändras med Victronconnect-appen via Bluetooth eller via VE.Direct.

Det finns två undantag från normal drift:

1. När den används i ett ESS-system; solladdningsalgoritmen avaktiverad och istället följer den kurvan på mandat av växelriktaren/laddaren.

2. För CAN-buss-litiumbatterier såsom BYD berättar batteriet för systemet, inklusive solladdaren, vilken laddspänning som ska användas. Denna laddningsspänningsgräns (CVL) är för vissa batterier även dynamisk och förändras över tiden baserat på exempelvis maximal cellspänning i paketet och andra parametrar.

Variationer till förväntat beteende

1. Pausa absorptionsräknaren

Absorptionstidsräknaren startar när den konfigurerade absorptionsspänningen uppnås och pausar när utgångsspänningen är lägre än den konfigurerade absorptionsspänningen.

Ett exempel på när detta spänningsfall kan inträffa är när PV-effekten (på grund av moln, träd och broar) är otillräcklig för att ladda batteriet och att driva lasterna.

När absorptionstimern är pausad blinkar absorptions-LED-lampan mycket långsamt.

2. Starta om laddningsprocessen

Laddningsalgoritmen återställs om laddningen har slutat i en timme. Detta kan uppstå när PV-spänningen sjunker under batterispänningen på grund av dåligt väder, skugga eller liknande.

3. Batteriet laddas eller laddas ur innan solladdningen börjar

Den automatiska absorptionstiden baseras på startbatteriets spänning (se tabell). Denna uppskattning av absorptionstid kan vara felaktig om det finns en extra laddningskälla (t.ex. växelströmgenerator) eller last på batterierna. Detta är ett naturligt problem i standardalgoritmen. Men i de flesta fall är det fortfarande bättre än en fast absorptionstid oavsett andra laddningskällor eller batteritillstånd.

Det är möjligt att åsidosätta standardabsorptionsalgoritmen genom att ställa in en fast absorptionstid vid programmering av kontrollern för solladdaren. Var medveten om att detta kan resultera i överladdning av batterierna.

Rådgör med batteritillverkaren för rekommenderade inställningar.

4. Absorptionstid bestäms av svansströmmen

I vissa tillämpningar kan det vara att föredra att avbryta absorptionstiden endast baserat på svansström. Detta kan uppnås genom att öka standardinställningen för absorptionsmultiplikatorn.

(varning: svansströmmen för blybatterier minskar inte till noll när batterierna är fulladdade och denna "återstående" svansström kan öka väsentligt när batterierna åldras)

Standardinställning, LiFePO₄-batterier

LiFePO₄-batterier behöver inte laddas helt för att förhindra för tidigt fel.

Standardinställningen för absorptionsspänning är 14,2 V (28,4 V).

Och standardinställningen för absorptionstiden är 2 timmar.

Standardinställningen för flytspänning: 13,2 V (26,4 V).

Dessa inställningar är justerbara.

Återställ laddningsalgoritmen:

Standardinställningen för att starta om laddningscykeln är $V_{batt} < (V_{float} - 0,4 \text{ V})$ för bly-syra och $V_{batt} < (V_{float} - 0,1 \text{ V})$ för LiFePO₄-batterier under 1 minut.

(värden för 12 V-batterier, multiplicera med två för 24 V)



3.12 Automatisk utjämning

Automatisk utjämning är som standard inställd på 'AV'. Med Victron Connect-appen (se avsnitt 1.9) kan denna inställning konfigureras med ett nummer mellan 1 (varje dag) och 250 (en gång var 250:e dag).

När automatisk utjämning är aktiv följs absorptionsladdningen av en spänningsbegränsad konstant strömperiod. Strömmen är begränsad till 8 % eller 25 % av bulkströmmen. Bulkströmmen är den nominella laddströmmen såvida inte en lägre maximal ströminställning har valts.

När en inställning med 8 % strömgräns används slutar den automatiska utjämningen när spänningsgränsen har uppnåtts, eller efter en timme, beroende på vad som kommer först.

Andra inställningar: automatisk utjämning slutar efter fyra timmar.

När automatisk utjämning inte är helt klar inom en dag kommer den inte att återupptas nästa dag. Nästa utjämnings-session kommer att äga rum enligt dagintervallet.

3.13 Instickbar LCD-skärm - Direktdata

Ta bort plasten som skyddar kontakten på framsidan på regulatort och koppla in skärmen/module. Skärmen är s.k. hotswap; detta innebär att laddaren kan vara i drift när skärmen är inkopplad.



Följande information visas om knappen "-" trycks in (i den ordning som visas):

Visad info	Symboler	Segment	Enheter
Batterispänning och laddningsström		28.8 50	A
Batteriladdningsström		50.0	A
Batterispänning		28.80	V
Batteriladdningseffekt		720.0	W
Batteritemperatur ⁽¹⁾		25.0, ---, Err	°C/°F
Laddartemperatur ⁽¹⁾		25.0, ---, Err	°C/°F
Panelström		8.6	A
Panelspänning		85.0	V
Paneleffekt		735.0	W
Varningsmeddelande ⁽²⁾		i nF 65	
Felmeddelande ⁽²⁾		Err 2	
Fjärrdrift ⁽²⁾		rEr:0tE	
BMS funktion ⁽²⁾		b:5	

Anmärkningar:

- 1) Aktuell temperatur visa, --- = ingen sensorinformation eller Err = ogiltiga sensordata.
- 2) Dessa poster är enbart synliga när de är relevanta.

Tryck på "-" eller "+" knapparna under 4 sekunder aktiverar skrollningsläget. Nu kommer de olika LCD skärmbilderna att visa sig en efter en med korta intervaller. Auto-skrollningsläget kan stoppas genom en kort tryckning på "-" eller på "+" knappen.

3.14 Instickbar LCD-skärm - Historisk data

Laddningsregulatorn håller ordning på flera parametrar beträffande energiinhämtningen. Ange historiska data genom att trycka på SELECT knappen i övervakningsläget och en skrollningstext blir synlig. Tryck på + eller - för att bläddra igenom de olika parametrarna som visas i tabellen nedan, tryck på SELECT för att stoppa skrollningen och visa aktuellt värde. Tryck på + eller - för att bläddra bland olika värdena. För de dagliga posterna är det möjligt att skrolla bakåt 30 dagar (data blir tillgänglig över tiden). En kort pop-up visar dagnumret. Tryck på SELECT för att lämna den historiska menyn och gå tillbaka till övervakningsläget eller tryck alternativt på SETUP för att återgå till skrollningstexten.

Skrollningstext	Symboler (↑)	Segment	Enheter	Visad info
MI ELd tÖtARL		258.0	kWh	TOTAL PRODUKTION*
LARS ErrDr		E0	2	Totala fel 0 (senaste)
		E1	0	Totala fel 1 (visas när det är tillgängligt)
		E2	0	Totala fel 2 (visas när det är tillgängligt)
		E3	0	Totala fel 3 (visas när det är tillgängligt)
PANEL UÖLLEAGE TÄMI TÖU		U 95.0	V	Total panelspänning, maximum
bÄtEERy UÖLLEAGE TÄMI TÖU		H 28.8	V	Total batterispänning, maximum
MI ELd		Y 8.6	kWh Dag	Daglig produktion
bÄtEERy UÖLLEAGE TÄMI TÖU		H 28.8	V Dag	Daglig batterispänning, maximum
bÄtEERy UÖLLEAGE TÄMI TÖU		L 25.0	V Dag	Daglig batterispänning, minimum
LARS ErrDr		E0	2	Dagligt fel 0 (senaste)
		E1	0	Dagligt fel 1 (visas när det är tillgängligt)
		E2	0	Dagligt fel 2 (visas när det är tillgängligt)
		E3	0	Dagligt fel 3 (visas när det är tillgängligt)
EL TÖ bULH		tB 60	Dag	Daglig tid i bulk eller ESS (minuter)
EL TÖ ABSOR-PEL ÖN		tR 30	Dag	Daglig tid i absorption (minuter)
EL TÖ FLÖDE		tF 630	Dag	Daglig tid i float (minuter)
TÄMI TÖU PDLEr		P 735	W Dag	Daglig effekt maximum
bÄtEERy CÖrrEntE TÄMI TÖU		C 50.0	A Dag	Daglig batteriström, maximum
PANEL UÖLLEAGE TÄMI TÖU		U 95.0	V Dag	Daglig panelspänning, maximum

Anmärkningar:

När laddaren inte är aktiv (natttid) kommer ikonerna för bulk, absorption och float att visas som i tabellen nedan.

När laddaren är aktiv kommer endast en ikon att visas: den ikon som representerar det faktiska laddningstillståndet.

3.15 Istickbar LCD-skärm - Inställningsmeny (Setup)

- För att ta fram inställningsmenyn, tryck och håll SETUP-knappen nedtryckt i 3 sekunder. "Meny" ikonen tänds och skrollningstexten blir synlig.
- Tryck på "-" eller "+" knappen för att skrolla genom parametrarna.
- Tabellen nedan listar i turordning alla parametrar som kan ställas in genom att trycka på "-" knappen.
- Tryck SELECT, ändringsmarkeringen blinkar nu.
- Använd "-" eller "+" knappen för att välja önskat värde.
- Tryck på SELECT för att bekräfta ändringen, värdet slutar blinka och ändringen är genomförd.
- Tryck på SETUP för att återgå till parametermenyn. Med "+" eller "-" knappen är de nu möjligt att skrolla till en annan parameter som behöver ändras.
- För att återgå till normalinställning, tryck SETUP under 3 sekunder.

Skrollningstext	Symboler	Segment	Enhet	Funktion eller parameter	
01 P0:Er On OFF	Menu Charging	On,OFF		På/av brytare	
02 IAH IUT: CHARGE C UrErEnt	Menu	I.0-100.0	A	Maximal laddningsström	
03 bRtErY uDLtAgE	Menu	12-48	V	Systemspänning	
04 CHARGE AL90rEtHr	Menu	0,7-0,5Er	Typ	Laddningsalgoritm (1)	
05 AbsOrPtI On uDLtAgE	Menu	16.0-28.8-34.8	V	Absorptionspänning:(2)	
06 FLDRt uDLtAgE	Menu	16.0-27.6-34.8	V	Floatspänning:(2)	
08 EQUALiZrEt On uDLtAgE	Menu	Equalize	16.0-32.4-34.8	V	Utjämningspänning:(2)
09 RuEtDrEtI C EQUALiZrEtI On	Menu	Equalize	OFF,RuEtI		Automatisk utjämnig (3)
10 rARuAR EQUALiZrEtI On	Menu	Equalize	StArEt,StOp		Manuell utjämnig (4)
11 rELAY rDdE	Menu	rEL. OFF, 1-3-10		Reläfunktion (5)	
12 rELAY LD: uDLtAgE	Menu	Lb 16.0-20.0-34.8	V	Låg batterispänning larm inställt	
13 rELAY CLEAR LD: uDLtAgE	Menu	Lbc 16.0-21.0-34.8	V	Låg batterispänning larm borttaget	
14 rELAY HI 9h uDLtAgE	Menu	Hb 16.0-33.0-34.8	V	Hög batterispänning larm inställt	
15 rELAY CLEAR HI 9h uDLtAgE	Menu	Hbc 16.0-32.0-34.8	V	Hög batterispänning larm borttaget	
16 rELAY HI 9h PANEL uDLtAgE	Menu	U	I.0-150.0	V	Hög panelspänning larm inställt
17 rELAY CLEAR HI 9h PANEL uDLtAgE	Menu	Uc I.0-149.0-150.0	V	Hög panelspänning larm borttaget	
18 rELAY rI nI rDdE cL 05dE bI rE	Menu	rTc	0-500		Minimiaktiveringstid för relä (minuter)
20 tErPErArUrE cDIP ErSArEt On	Menu	-5.0-27.0-0.0	°C mV		Batteri kompensations temperatur per cell (2)
21 tRIL CURrEnt	Menu	0.0-2.0-100.0	A		Svansström
22 rAH IUT: AbsOrPtI On bI rE	Menu	I.0-6.0-24.0	h		Absorptionsstid
28 rEbULM OFFSEt uDLtAgE	Menu	0.0 1-0. 10-5.20	V		Förnyad bulkförskjutningsspänning (subtraherad från inställning 6)
29 LD: tErPErArUrE CHARGE CURrEnt	Menu	0.0-100.0	A		Max. laddningsström under lågtemperaturnivå (för punkt 30)
30 LD: tErPErArUrE LEuEL	Menu	- 10.0-5- 10.0			Lågtemperaturnivå (för punkt 29)
31 bT5 PrESEnt	Menu	bT5	Yn		BMS föreligger (6)
35 LDrd rDdE	Menu	LDrd	0-1-5		Belastningskontroll (7)
36 LDrd LD: uDLtAgE	Menu	Ll 16.0-20.0-34.8			Belastning användarvärdgränsad låg spänning
37 LDrd HI 9h uDLtAgE	Menu	Lh 16.0-28.0-34.8			Belastning användarvärdgränsad hög spänning
40 rAH IUT: EQUALiZrEtI On bI rE	Menu	Equalize	I.0-4.0-24.0	h	Automatisk utjämnig maximal tid
41 EQUALiZrEtI On RuEtI cDIP	Menu	Equalize	Yn		Utjämnigen stoppar när spänningen (inställning 8) nådde
42 EQUALiZrEtI On CURrEnt PrECEntAgE	Menu	Equalize	0-25-100		Utjämningsströmprocent (procent av inställning 2)
49 bRCHLi 9hE I nEtENS I tY	Menu		0-1		Bakgrundsbelysning, intensitet
50 bRCHLi 9hE AL: rYs On	Menu		OFF,On,RuEtI		Bakgrundsbelysningen släcks automatiskt efter 60 sek. (8)
51 SCrOLL SPEEd	Menu		1-3-5		Skrollingshastighet text
57 rH rDdE	Menu	rH	0-3		VE.Direct port RX pin läge (9)
58 tH rDdE	Menu	tH	0-4		VE.Direct port TX pin läge (10)
59 CRn AddrESS	Menu	rA	0-255		VE.Can nätverksadress

Skrollningstext	Symboler	Segment	Enhet	Funktion eller parameter
60 CAn dEul CE i nStEAnCE	Menu ⏪	dl	0.255	VE.Direct enhetsinstans
61 SOfE!AR-E uErSl Dn	Menu	L. 0		Programvaruversion
62 rESEDrE dEFAULtS	Menu	rESEt		Återställning till standardinställningar (11)
63 CLERr hI StDr-y	Menu	CLERr		Återställning historiska data (12)
64 LDCr SEtUP	Menu	LDCr	y.n	Läsinställningar
67 tE!PErAR-E unIt	Menu ↓	CELC FRr		Temperaturenhet °C/°F

Anmärkning:

- 1) Den fabriksinställda batterisorten kan väljas med den roterande brytaren bredvid VE.Direct anslutningen. Vald sort kommer att visas här. Inställningen kan ändras mellan en fabriksinställd sort och "ANVÄNDARE".
- 2) Dessa värden kan ENDAST ändras för batterisort (ANVÄNDARE). Värdena i tabellen är för 24 V-batterier.
- 3) Automatisk utjämning kan ställs in på "AV" eller på ett nummer mellan 1 (varje dag) och 250 (var 250:e dag). Se avsnitt 3.8 för mer information om automatisk utjämning.
- 4) För att låta laddaren riktigt utjämna batteriet, använd enbart det manuella utjämningsalternativet under absorptions- och float-perioderna, och när det finns tillräckligt med solljus. Tryck på SELECT och texten "StAr-t" blinkar, tryck på SELECT igen för att starta utjämnningen. För att avsluta utjämnningen i förtid, gå in på inställningsmenyn och bläddra fram till inställning 10, tryck SELECT och texten "StDrP" blinkar, tryck SELECT igen för att avsluta utjämnningen. Den manuella utjämnningen pågår i en timme.
- 5) Reläfunktion (inställning11):

Värde	Beskrivning
0	Relä alltid av
1	Panelspänning hög (inställningar 17 och 18)
2	Hög intern temperatur (>85 C)
3	Batterispänning för låg (inställningar 12 och 13, standard)
4	Utjämning aktiv
5	Ett fel har uppstått
6	Låg intern temperatur (<20 C)
7	Batterispänning för hög (inställningar 14 och 15)
8	Laddare i float- eller förvaringsläge
9	Dagdetektion (paneler belasta)
10	Belastningskontroll (reläet ändrar beroende på vilket belastningskontrollsläge, se inställning 35 och anmärkning 7).

6) Parametern BMS funktion ställs in på "Yes" internt när den upptäcker en kompatibel BMS. Denna inställning kan användas för att ändra laddaren till normal drift (t.ex. Utan BMS) genom att ställa in den manuellt på "No". (Om laddaren flyttas till en annan plats där en BMS inte är nödvändig, kan den inte ställas in på Yes manuellt.

7) Belastning driftläge (inställning 35)

För att använda reläet (inställning 11, värde 10), eller VE.Direct-porten (inställning 58, värde4) för att styra en belastning enligt alternativen nedan:

Värde	Beskrivning
0	Belastningsutgång alltid på
1	Algoritm batterilivslängd (standard)
2	Konventionell algoritm 1 (<22,2V, på>26,2V)

3	Konventionell algoritm 2 (<23,6V, på>28,0V)
4	Belastningsutgång alltid på
5	Användardefinierad algoritm 1 (av<20,0V, på>28,0V)
6	Användardefinierad algoritm 2 (av<20,0V, på>28,0V)

8) Automatisk avstängning av bakgrundsbelysningen har följande alternativ:
 OFF (AV) =bakgrundsbelysningen är tänd hela tiden, ON
 (PÅ)=bakgrundsbelysning kommer att dimmas 60 sek. efter den senaste knaptryckningen, AUTO=under laddning är bakgrundsbelysningen tänd, annars kommer den att dimmas.

EN

NL

FR

DE

ES

SE

Appendix

9) VE.Direct-port RX stiftläge (inställning 57)

Värde	Beskrivning
0	Fjärrstyrning av/på (standard). Kan användas för av/på-kontroll med en VE.Bus BMS (istället för att koppla BMS:en till den fjärrstyrda av-och-på-porten. En VE.Direct-icke-inverterande kabel för fjärrstyrd av-och-påslagning krävs. (ASS030550310)
1	Ingen funktion.
2	RX-stiftet kan göra reläet strömlöst (relä av) om reläfunktion 10 på inställning 11 har ställts in (se anmärkning 5, värde 10). Alternativen för belastningskontroll (inställning 35) är fortsatt giltiga.
3	Med andra ord skapas en "OCH-funktion": både belastningskontrollen och RX-stiftet måste vara höga (värde=2) eller låg (värde=3) för att förse reläet med ström.

10) VE.Direct-port TX-stiftläge (inställning 58).

Värde	Beskrivning
0	Normal VE.Direct-kommunikation (standard) För att t.ex. kommunicera med en ColorControl-panel (VE.Direct-kabel krävs).
1	Puls varje 0,01 kWh
2	Ljusdimmerkontroll (normal pwn) TX digital utgångskabel krävs (ASS0305505500).
3	Ljusdimmerkontroll (omvänd pwn) TX digital utgångskabel krävs (ASS0305505500).
4	Belastningskontrollsläge: TX-stiftet ändras beroende på belastningskontrollsläget, se anmärkning 7. TX digital utgångskabel (ASS0305505500) krävs för att kopplas till port för logisk nivåbelastningskontroll.

11) Tryck på SELECT och texten "rESEt" blinkar, tryck på SELECT igen för att återställa fabriksinställningarna. Laddaren kommer att starta om. Historiska data kommer inte att påverkas (kWh-räknaren m.m.)

12) Tryck på SELECT och texten "CLEAR" blinkar, tryck på SELECT igen för att radera historikdatan (kWh-räknaren m.m.) Observera att det tar några sekunder att slutföra.

Obs: alla inställningsändringar som görs med den instickbara LCD-skärmen eller via Bluetooth kommer att upphäva inställningarna gjorda med den roterande brytaren. Genom att vrida på den roterande brytaren kommer alla tidigare inställningar gjorda med den instickbara LCD-skärmen eller via Bluetooth att upphävas.

Varning!

Vissa batteritillverkare rekommenderar konstanta strömutfjämningsperioder medan andra inte gör det. Utför inte en konstant strömutfjämningsperiod om inte din batteritillverkare har rekommenderat det.

4. Felsökning

Problem	Möjlig orsak	Lösning
Regulatorn fungerar inte	Omvänd solcellsanslutning	Anslut solcellsenheten korrekt
	Omvänd batterianslutning	Icke utbyttbar säkring har utlösts. Återsänd till VE för reparation
Batteriet är inte fulladdat	Dålig batterianslutning	Kontrollera batterianslutningarna
	Kabelförlusterna för höga	Använd kabel med större tvärsnitt
	Höga omgivningstemperaturskillnader mellan laddare och batteri ($T_{\text{ambient_chrg}} > T_{\text{ambient_batt}}$)	Kontrollera att omgivningsförhållandena är desamma för laddare och batteri
	<i>Endast för ett 24V eller 48V system: Fel systemspänning vald (t.ex. 12V istället för 24V) av laddningsregulatorn.</i>	Ställ manuellt in regulatorn till den systemspänning som krävs
Batteriet håller på att överladdas.	En battericell är trasig	Byt ut batteriet
	Höga omgivningstemperaturskillnader mellan laddare och batteri ($T_{\text{ambient_chrg}} < T_{\text{ambient_batt}}$)	Kontrollera att omgivningsförhållandena är desamma för laddare och batteri

EN

NL

FR

DE

ES

SE

Appendix

Genom att använda den instickbara LCD-skärmen eller VictronConnect samt åtgärderna nedan kan de flesta fel identifieras snabbt. Var vänlig rådfråga din Victron Energy-leverantör om ett fel inte kan lösas.

Fel nr:	Problem	Orsak/lösning:
n. a.	LCD:n tänds inte (inget bakgrundsljus, ingen bild)	Den inre strömkällan för att försörja växelriktaren och bakgrundsbelysningen hämtas antingen från solpanelen eller batteriet. Om både solcells- och batterispänningen är under 6 V kommer LCD:n inte att tändas. Se till att LCD-skärmen är korrekt isatt i uttaget.
n. a.	LCD:n tänds inte (bakgrundsljuset fungerar, ingen bild, laddaren verkar fungera)	Detta kan bero på låg omgivningstemperatur. Om omgivningstemperaturen är under -10 °C kan LCD-segmenten bli svaga. Under -20°C kan LCD-segmenten bli osynliga. Under laddning kommer LCD-skärmen att värmas upp och bilden kommer att synas.
n. a.	Laddningsregulatorn laddar inte batteriet.	LCD-skärmen visar att laddningsströmmen är 0 Amp. Kontrollera polariteten på solcellspanelerna. Kontrollera batteribrytaren. Kontrollera om det är något felmeddelande på LCD-skärmen. Kontrollera om laddaren är inställd på "ON" i menyn. Kontrollera om fjärrkontrollsingången är ansluten. Kontrollera om rätt systemspänning har valts.
n. a.	Hög temperatur: termometerikonen blinkar	Det här felet återställs automatiskt när temperaturen har sjunkit. Minskad utgångsström på grund av hög temperatur. Kontrollera omgivningstemperaturen och sök efter obstruktioner nära kylflänsen.
Fel 2	För hög batterispänning (>76,8 V)	Det här felet återställs automatiskt när batterispänningen har sjunkit. Felet kan bero på andra laddningsenheter kopplade till batteriet eller ett fel i laddningsregulatorn.
Fel 17	Regulatorn överhettad trots minskad utgångsström.	Det här felet återställs automatiskt när regulatorn har kylts ner. Kontrollera omgivningstemperaturen och sök efter obstruktioner nära kylflänsen.
Fel 18	Överström i regulatorn.	Det här felet återställs automatiskt. Koppla ifrån laddningsregulatorn från alla strömkällor, vänta 3 minuter och slå på strömmen igen. Om felet kvarstår är laddningsregulatorn förmodligen defekt.
Fel 20	Maximal bulktid överstigen	Det här felet kan endast inträffa om skyddet för maximal bulktid är aktiverat. Felet återställs inte automatiskt Det här felet uppstår när batteriabsorptionsspänningen inte uppnås efter 10 timmars laddning. För vanliga solcellsinstallationer rekommenderas inte användning av skyddet för maximal bulktid.
Fel 21	Strömsensorproblem	Laddningsregulatorn är förmodligen felaktig Felet återställs inte automatiskt
Fel 26	Terminal överhettad	Terminalerna överhettade, Kontrollera kablage och fästbultar om möjligt. Det här felet återställs automatiskt.

Fel 33	Solcellsöverspänning	Det här felet återställs automatiskt efter att solcellsspänningen har sjunkit till en säker gräns. Det här felet visar att konfigurationen av solcellspanelen med avseende på tomgångsspänning är kritisk för den här laddaren. Kontrollera konfigurationen och ändra om panelerna om så krävs.
Fel 34	Solcellsöverström	Strömmen från solcellspanelen har överstigit 75 A. Det här felet kan uppstå på grund av ett internt systemfel. Koppla ifrån laddningsregulatorn från alla strömkällor, vänta 3 minuter och slå på strömmen igen. Om felet kvarstår är laddningsregulatorn förmodligen defekt. Det här felet återställs automatiskt.
Fel 38	Ingångsavstängning på grund av batteriöverspänning.	För att skydda batteriet från överladdning av panelen stängs ingången av. För att åtgärda det här felet ska solcellspanelerna stängas av först och därefter batteriet. Vänta i 3 minuter och återanslut därefter först batteriet och sen panelerna. Om felet kvarstår är laddningsregulatorn förmodligen defekt.
Info 65	Kommunikationsvarning	Kommunikationen med en av de parallellkopplade regulatorerna har förlorats. För att ta bort, slå av regulatorn och sedan slå på den igen.
Info 66	Icke kompatibel enhet	Regulatorn har parallellkopplats till en annan styrenhet som har en annan inställning och/eller en annan laddningsalgoritm. Se till att alla inställningar är desamma och uppdatera hårdvaran på alla laddare med den senaste versionen.
Fel 67	BMS anslutning förlorad	Anslut till den förlorade BMS-enheten, kontrollera anslutningen (kablage/Bluetooth länk). När laddaren behöver fungera i fristående läge igen, byt till inställningsmenyn och ändra inställning av BMS från Y till N. (inställning 31).
Fel 114	CPU-temperatur för hög	Det här felet ställs om automatiskt när CPU:n har kylts. Om felet kvarstår ska du kontrollera omgivningens temperatur och kontrollera om det finns några hinder nära laddarskåpets in- och utgångar. Kontrollera manualen för monteringsinstruktioner vad avser kylning Om felet kvarstår är regulatorn förmodligen felaktig.
Fel 116	Kalibreringsuppgifter har gått förlorade.	Felet återställs inte automatiskt
Fel 119	Inställningsuppgifter har gått förlorade.	Felet återställs inte automatiskt Återställ defaults i inställningsmenyn (inställning 62). Koppla ifrån laddningsregulatorn från alla strömkällor, vänta 3 minuter och slå på strömmen igen.

Vid fler frågor, se FAQ (vanliga frågor):

https://www.victronenergy.com/live/drafts:mppt_faq

5. Specifikationer

SmartSolar laddningsregulator	MPPT 150/70	MPPT 150/100
Batterispänning	12/24/48 V Autoval (36 V: manuell)	
Maximal batteriström	70 A	100 A
Nominell solcellseffekt, 12V 1a,b)	1000 W	1450 W
Nominell solcellseffekt, 24 V 1a,b)	2000 W	2900 W
Nominell solcellseffekt, 36 V 1a,b)	3000 W	4350 W
Nominell solcellseffekt, 48 V 1a,b)	4000 W	5800 W
Max: solcellskortslutningsström	50 A (max 30 A per MC4 conn.)	70 A (max 30 A per MC4 conn.)
Maximal solcellstomgångsspänning	150 V absolut maximum i kallaste omständigheter 145 V uppstartning och driftsmaximum	
Toppeffekt	98%	
Egenkonsumtion	Mindre än 35m A @ 12V/ 20m A @ 48V	
Laddningsspänning "absorption"	Standardinställning: 14,4V/ 28,8V/ 43,2V/ 57,6V (justerbar)	
Laddningsspänning "float"	Standardinställning: 13,8V/ 27,6V/ 41,4V/ 55,2V (justerbar)	
Laddningsspänning i "utjämning"	Standardinställning: 16,2V/ 32,4V/ 48,6V/ 64,8V (justerbar)	
Laddningsalgoritm	Anpassningsbar i fyra steg (åtta förprogrammerade algoritmer) eller en användardefinierad algoritm	
Temperaturkompensation	-16mV/°C / -32mV/°C / -64mV/°C	
Skydd	Batteri omvänd polaritet (säkring, ej åtkomlig för användare) Solcell omvänd polaritet/ utgångskortslutning/ övertemperatur	
Driftstemperatur	-30 till +60°C (full märkeffekt upp till 40°C)	
Luftfuktighet	95% icke-kondenserande	
Maximal driftshöjd	5000 m (fullskalig utmatning upp till 2000 m)	
Driftsmiljö	Inomhus, obetingat	
Förelningsgrad	PD3	
Datakommunikationsport och	VE.CAN, VE.Direct eller Bluetooth	
Fjärrstyrning på/av	Yes	
Relä (programmerbart)	DPST AC-kapacitet 240 VAC/ 4 A DC-kapacitet: 4 A upp till 35 VDC, 1 A upp till 60 VDC	
Paralleldrift	Ja	
HÖLJE		
Färg	Blå RAL 5012	
Solcellsterminaler	35 mm ² / AWG2 (Tr modeller), eller tre par av MC4-kontakter (MC4-modeller)	
Batteriterminaler	35 mm ² / AWG2 eller tre uppsättningar av MC4-kontakter	
Skyddsklass	IP 43 (elektroniska komponenter) IP 22 (anslutningsområde)	
Vikt	3 kg	4,5 kg
Dimensioner (h x b x d)	185 x 250 x 95 mm	216 x 295 x 103 mm
STANDARDER		
Säkerhet	EN/IEC 62109-1, UL 1741, CSA C22.2	
1a) Om mer solcellseffekt ansluts kommer regulatorn att begränsa ingångseffekten.		
1b) Solcellsspänningen måste överskrida Vbat +5 V för att regulatorn ska kunna startas.		
2) En högre kortslutningsström kan skada regulatorn om solcellspanelen ansluts med omvänd polaritet Därefter är minimal solcellsspänning Vbat + 1 V.		
3) Standardinställning: AV		

1. Descrizione generale

Bluetooth Smart integrato: chiave elettronica dongle non necessaria

La soluzione wireless per configurare, monitorare e aggiornare il regolatore tramite smartphone, tablet o altri dispositivi Apple e Android.

Porta VE.Direct e due porte VE.Can

Entrambe le porte possono servire per la connessione tramite cavo dati al Color Control, al Venus GX, al PC o a altri dispositivi.

Controllo remoto accensione-spegnimento

Controllo accensione/spegnimento tramite BMS VE.Bus durante la carica di batteria agli ioni di litio.

Relè programmabile

Può essere programmato (ad es., mediante smartphone) per far scattare un allarme o altri eventi.

Opzionale: display LCD a spina

Rimuovere il sigillo di gomma che protegge la spina sul frontalino del dispositivo di controllo e inserire il display.

Tracciamento del Punto di Massima Potenza ultra veloce (MPPT)

Specialmente in caso di cielo nuvoloso, quando l'intensità della luce cambia continuamente, un dispositivo di controllo MPPT ultra veloce consentirà di potenziare la raccolta di energia fino al 30% in più rispetto ai regolatori di carica PWM e fino al 10% in più rispetto ai dispositivi di controllo MPPT più lenti.

Rilevazione del Punto di Massima Potenza avanzato in caso di condizioni di ombra parziale

In caso di ombra parziale, è possibile che vi siano due o più punti di massima potenza sulla curva di potenza-tensione.

Gli MPPT convenzionali tendono a bloccarsi ad un MPP locale, che potrebbe non essere il MPP ottimale.

L'innovativo algoritmo SmartSolar ottimizzerà sempre al massimo la raccolta di energia, bloccandosi al MPP ottimale.

Efficienza di conversione altissima

Senza valvola di raffreddamento. Efficienza massima oltre il 98%. Corrente di uscita massima fino a 40°C (104°F)

Altissima protezione elettronica

Protezione da sovratemperatura e riduzione della potenza con temperatura elevata.

Protezione contro polarità inversa del FV.

Sensore temperatura interno

Compensa le tensioni di assorbimento e di mantenimento in base alla temperatura (intervallo da 6°C a 40°C).

EN

NL

FR

DE

ES

SE

IT

Appendice

Tensione esterna e sensore di temperatura opzionali

(intervallo da -20°C a 50°C)

Lo Smart Battery Sense è un sensore wireless opzionale di tensione e temperatura per i caricabatterie solari Victron MPPT. Il caricabatterie solare utilizza queste misure per ottimizzare i propri parametri di carica.

L'accuratezza dei dati da esso trasmessi migliorerà l'efficienza di carica e prolungherà la durata della batteria.

In alternativa, sarà possibile stabilire una comunicazione Bluetooth tra un monitor di batteria BMV-712 con il sensore di temperatura della batteria e il regolatore di carica solare.

Per ulteriori dettagli, si prega di inserire *smart networking* nella casella di ricerca sul nostro sito web.

Riconoscimento automatico della tensione della batteria

I regolatori si adatteranno automaticamente al sistema a 12V, 24V o 48V solo una volta. Se, in un secondo momento, è richiesta una tensione di sistema diversa, la si deve cambiare manualmente, ad esempio tramite la app Bluetooth o il display LCD opzionale. Parimenti, è necessaria l'impostazione manuale per il sistema a 36V.

Algoritmo di carica flessibile

Algoritmo di carica completamente programmabile ed otto algoritmi pre-programmati, selezionabili mediante un interruttore a rotazione.

Tre fasi di carica adattiva

Il regolatore di carica SmartSolar MPPT è configurato per un processo di carica a tre fasi: Caricamento - Assorbimento- Mantenimento.

Si può programmare anche una carica di equalizzazione regolare: vedere la sezione 3.12 di questo manuale.

Prima fase di carica

Durante questa fase il regolatore invia quanta più corrente di carica possibile per ricaricare rapidamente le batterie.

Assorbimento

Quando la tensione della batteria raggiunge il valore della tensione di assorbimento, il regolatore passa alla modalità di tensione costante.

In caso di scarica della batteria di ridotta entità, la durata della fase di assorbimento viene limitata al fine di evitare il sovraccarico della batteria.

Dopo una scarica profonda, invece, il tempo di assorbimento viene prolungato automaticamente al fine di caricare completamente la batteria. Inoltre, la fase di assorbimento termina anche quando la corrente di carica diminuisce a meno di 2A.

Mantenimento

Durante questa fase, alla batteria è applicata una tensione di mantenimento per mantenerla in uno stato di carica completa.

Equalizzazione

Vedere paragrafo 3.12



Configurazione e monitoraggio

Configurazione del regolatore di carica solare con l'app VictronConnect. Disponibile sia per dispositivi iOS e Android che per computer macOS e Windows. Potrebbe essere necessario un accessorio; per maggiori dettagli, inserire *victronconnect* nella casella di ricerca sul nostro sito web e consultare la pagina di download VictronConnect.

Per il semplice monitoraggio, usare un MPPT Control; un display montato su pannello semplice ma efficace che mostra tutti i parametri operativi. Il monitoraggio completo del sistema, incluso l'accesso al nostro portale online, il VRM, viene effettuato usando la gamma di prodotti GX.



EN

NL

FR

DE

ES

SE

IT

Appendice

2. Istruzioni di sicurezza

CONSERVARE QUESTE ISTRUZIONI - Questo manuale contiene importanti istruzioni, da seguire durante l'installazione e la manutenzione.



WARNING

Pericolo di esplosione a causa di scintille

Pericolo di scossa elettrica

- Leggere attentamente questo manuale prima di installare ed iniziare a usare il prodotto.
- Il presente prodotto è progettato e testato in conformità alle normative internazionali. Le apparecchiature devono essere usate esclusivamente per l'utilizzo previsto.
- Installare il prodotto in ambienti resistenti alle temperature elevate. Assicurarsi pertanto che non siano presenti sostanze chimiche, elementi in plastica, tende o altri materiali tessili, ecc., nelle immediate vicinanze del dispositivo.
- Senza una scatola cavi, il prodotto non può essere montato in una zona accessibile per l'utente.
- Accertarsi che l'apparecchio venga utilizzato nelle corrette condizioni di esercizio. Non usare mai l'apparecchio in ambienti umidi.
- Non usare mai il prodotto in luoghi con rischio di esplosione di gas o polveri.
- Accertarsi che attorno al prodotto vi sia sempre uno spazio libero sufficiente per l'aerazione.
- Consultare le specifiche fornite dal produttore della batteria per accertarsi che la batteria possa essere usata con il presente prodotto. Attenersi sempre alle istruzioni di sicurezza fornite dal produttore della batteria.
- Durante l'installazione proteggere i moduli solari dalla luce incidente, ad es., coprendoli.
- Non toccare mai le estremità dei cavi non isolate.
- Usare esclusivamente utensili isolati.
- Le connessioni devono sempre essere effettuate secondo la sequenza descritta nel paragrafo 3.4.
- Senza una scatola cavi, l'installatore del prodotto deve trovare una soluzione per ridurre la deformazione dei cavi e prevenire la trasmissione della sollecitazione ai collegamenti.
- Oltre a questo manuale, il manuale di funzionamento del sistema o quello di servizio devono comprendere un manuale sulla manutenzione della batteria, applicabile al tipo di batterie in uso.

- Utilizzare cavi flessibili a fascio di fili di rame per le connessioni della batteria e del FV.
Il diametro massimo di ogni filo è di 0,4mm/0,125mm² (0.016 inch/AWG26).

Un cavo da 25 mm², ad esempio, deve avere almeno 196 fili (filo di classe 5 o superiore, in conformità a VDE 0295, IEC 60228 e BS6360).

Un cavo di calibro AWG26 deve avere almeno 259/26 fili (259 fili di calibro AWG26).

Temperatura di esercizio massima: $\geq 90^{\circ}\text{C}$.

Esempio di cavo corretto: cavo classe 5 "Tri-rated" (possiede tre omologazioni: Americana (UL), Canadese (CSA) e Britannica (BS))

Se si utilizzassero fili più grossi, l'area di contatto sarebbe troppo piccola e l'alta resistenza di contatto derivante causerebbe un grave surriscaldamento che potrebbe anche causare un incendio.



- Corrente massima di un morsetto MC4: 30°
- Il terminale di messa a terra si trova nel vano cablaggio ed è identificato dal simbolo seguente:



Ground Symbol

3. Installazione

AVVERTENZA: INGRESSO IN CC (FV) NON ISOLATO DAL CIRCUITO DELLA BATTERIA.

ATTENZIONE: PER UNA CORRETTA COMPENSAZIONE DELLA TEMPERATURA LE CONDIZIONI AMBIENTALI DEL CARICABATTERIE E DELLA BATTERIA DEVONO ESSERE INFERIORI AI 5°C.

3.1 Informazioni generali

- Montare in senso verticale su un supporto non infiammabile, con i morsetti di alimentazione rivolti verso il basso. Per un raffreddamento ottimale, rispettare una distanza minima di 10 cm sopra e sotto il prodotto.
- Montare vicino alla batteria, ma mai direttamente sopra la batteria (al fine di evitare danni dovuti al surriscaldamento della stessa).
- Una compensazione della temperatura interna non corretta (ad es., condizioni ambientali del caricabatterie e della batteria non inferiori ai 5°C), potrebbe ridurre la durata di vita della batteria.

Se si prevedono grandi differenze di temperatura o condizioni estreme di temperatura ambientale, raccomandiamo di usare un sensore di tensione della batteria diretto (sensore di tensione condivisa BMW, Smart Battery Sense o dispositivo GX).

- L'installazione della batteria deve essere effettuata in conformità alle regole riguardanti gli accumulatori del Canadian Electrical Code (codice elettrico canadese), Parte I.
- I collegamenti della batteria (e per la versione Tr anche quelli del FV) devono essere protetti da contatti involontari (ad es., installare una custodia o il WireBox opzionale).

Modelli Tr: utilizzare cavi a fasci di fili di rame per i collegamenti della batteria e del FV: vedere istruzioni di sicurezza.

Modelli MC4: potrebbero essere necessarie varie coppie di sdoppiatori per collegare in parallelo le stringhe di pannelli solari. (Corrente massima di un morsetto MC4: 30A)

3.2 Messa a terra

- **Messa a terra della batteria:** il caricabatterie può essere installato in un sistema con polo positivo o negativo collegato a massa.
Nota: utilizzare un solo collegamento a terra (preferibilmente, vicino alla batteria) per evitare malfunzionamenti del sistema.
- **Messa a terra del telaio:** È consentita una messa a terra a parte per il telaio, giacché è isolato dai morsetti positivo e negativo.
- Il USA National Electrical Code (codice elettrico nazionale degli USA) (NEC) richiede l'utilizzo di dispositivo esterno di protezione contro guasti di messa a terra (GFPD). Questi caricabatterie MPPT non dispongono di protezione interna contro guasti di messa a terra. Il polo elettrico negativo del sistema deve essere vincolato tramite un GFPD di messa a terra in una (e solo una) ubicazione.
- Il caricabatterie non deve essere collegato mediante pannelli FV di massa. (solo un collegamento a terra)
- I poli positivo e negativo del pannello FV non devono essere messi a terra. Mettere a terra il telaio dei pannelli FV, per ridurre l'impatto dei fulmini.



AVVERTENZA: QUANDO SI VERIFICA UN GUASTO DI MESSA A TERRA, I MORSETTI DELLA BATTERIA E I CIRCUITI COLLEGATI POTREBBERO RISULTARE NON MESSI A TERRA E PERICOLOSI.

3.3 Configurazione FV (vedere anche le schede in Excel del MPPT nel nostro sito web)

- I regolatori funzionano solo se la tensione fotovoltaica supera la tensione della batteria (V_{bat}).
- Perché il regolatore si avvii, la tensione fotovoltaica deve superare $V_{bat} + 5V$.

Successivamente la tensione fotovoltaica minima sarà $V_{bat} + 1V$.

- Tensione fotovoltaica massima a circuito aperto: 150V o 250V, secondo il modello.

Ad esempio:

batteria da 24V, pannelli mono o policristallini, tensione fotovoltaica massima 150V:

- Numero minimo di celle in serie: 72 (2 x pannelli da 12V in serie o una per pannelli da 24V).
- Numero di celle suggerito ai fini della massima efficienza del regolatore: 144 celle (4 x pannelli da 12V o 2 x pannelli da 24V in serie).
- Massimo: 216 celle (6 x pannelli da 12V o 3 x pannelli da 24V in serie).

batteria da 48V, pannelli mono o policristallini, tensione fotovoltaica massima 250V:

- Numero minimo di celle in serie: 144 (4 x pannelli da 12V o 2 x pannelli da 24V in serie).
- Massimo: 360 celle (10 x pannelli da 12V o 5 x pannelli da 24V in serie).

Osservazione: a bassa temperatura, la tensione a circuito aperto di un pannello solare a 216 celle potrebbe superare i 150V e la tensione a circuito aperto di un pannello solare a 360 celle potrebbe superare i 250V, secondo le condizioni ambiente e le specifiche delle celle. In questo caso, si deve ridurre il numero di celle in serie.

3.4 Sequenza di connessione dei cavi (vedere figura 1)

Primo: collegare la batteria.

Secondo: se necessario, collegare accensione - spegnimento remoto e relè programmabile

Terzo: connettere il pannello solare (quando viene connesso con la polarità inversa, il regolatore si riscalda ma non carica la batteria).

Torsione: 2,4 Nm.

3.5 Accensione-spegnimento remoto

Utilizzare le modalità del sistema di accensione-spegnimento:

- ON quando i morsetti L e H sono collegati (contatto interruttore o relè)
- ON quando il morsetto L è collegato al polo negativo della batteria ($V < 3,5V$)
- ON quando il morsetto H è alto ($2,9V < V_H < V_{bat}$)
- OFF in tutte le altre situazioni

L'utilizzo raccomandato dell'accensione - spegnimento remoto è:

- Un interruttore cablato tra i pin L-H

- b. Un interruttore cablato fra il polo positivo batteria e il pin H.
- c. Un interruttore fra il pin L e il morsetto di disconnessione del carico di un BMS VE.Bus

3.6 Interfaccia CAN bus

Il caricabatterie è dotato di due prese RJ45 CAN bus.

Il CAN bus di questo caricabatterie non è isolato galvanicamente. Il CAN bus è referenziato al polo negativo del collegamento della batteria.

L'interfaccia CAN bus sarà referenziata a terra se il polo negativo della batteria è messo a terra. In un sistema con polo positivo a massa, sarà necessario un modulo di isolamento CAN per referenziare l'interfaccia CAN bus a terra.

L'estremità del cavo CAN deve avere un terminatore bus. Ciò è possibile inserendo un terminatore bus in uno dei due connettori RJ45 e il cavo CAN nell'altro. Se fosse presente un nodo (due cavi CAN, uno in ogni connettore RJ45) non sono necessari terminatori.

Tensione di alimentazione (V+alimentazione): 9V-70V

Massima corrente di alimentazione: 500mA

Velocità dei dati: 250 kbps

Tolleranza di tensione CANH/CANL: $\pm 70V_{CC}$

Specifiche ISO del ricetrasmittitore CAN: ISO 11898-2:2016

Per garantire la massima flessibilità, la tensione della batteria si utilizza per la linea di alimentazione V+ del VE.CAN. Ciò significa che tutti i dispositivi collegati al VE.CAN sono un carico costante della batteria.

3.7 Funzionamento sincronizzato in parallelo

Nota: Software non ancora disponibile, atteso per Q3/2019

Vari regolatori di carica possono essere sincronizzati con l'interfaccia CAN. Ciò si ottiene mediante la semplice interconnessione dei caricabatterie con cavi RJ45 UTP (sono necessari i terminatori bus, vedere sezione 3.6). I regolatori di carica collegati in parallelo devono avere impostazioni identiche (ad es., algoritmo di carica). La comunicazione CAN assicura che i regolatori passeranno contemporaneamente da uno stato di carica all'altro (da prima fase di carica ad assorbimento, ad esempio). **Ogni unità regola (e deve farlo) la sua corrente in uscita**, in base, ad es., all'uscita di ogni pannello FV e alla resistenza del cavo.

Nel funzionamento in parallelo, l'icona di rete lampeggia ogni 3 secondi su tutte le unità collegate in parallelo.

Le entrate FV non devono essere collegate in parallelo. Ogni regolatore di carica deve essere collegato al suo pannello FV.

3.8 Sistema di accumulo di energia (ESS)

Un Sistema di accumulo di energia(ESS) è un tipo specifico di sistema di alimentazione, che integra una connessione alla rete di alimentazione a un Inverter/caricabatterie, dispositivo Venus e sistema di batterie Victron. Immagazzina energia solare nella batteria durante il giorno, per poi utilizzarla quando il sole tramonta.

Per configurare un ESS, vedere il seguente manuale:

<https://www.victronenergy.com/live/ess:start>

EN

NL

FR

DE

ES

SE

IT

Appendice

3.9 Configurazione del regolatore tramite interruttore a rotazione

Algoritmo di carica completamente programmabile (vedere la pagina del software nel nostro sito web) ed otto algoritmi di carica pre-programmati, selezionabili tramite un interruttore a rotazione:

Pos	Tipo di batteria consigliato	Assorbimento V	Mantenimento V	Equalizzazione V @%I _{nom}	dV/dT mV/°C
0	Gel Victron Long Life (OPzV) Gel Exide A600 (OPzV) Gel MK	28,2	27,6	31,8 @8%	-32
1	Gel Victron Deep Discharge Gel Exide A200 AGM Victron Scarica Profonda Stazionaria a piastre tubolari (OPzS)	28,6	27,6	32,2 @8%	-32
2	Impostazione predefinita Gel Victron Deep Discharge Gel Exide A200 AGM Victron Scarica Profonda Stazionaria a piastre tubolari (OPzS)	28,8	27,6	32,4 @8%	-32
3	AGM con celle a spirale Stazionaria a piastre tubolari (OPzS)	29,4	27,6	33,0 @8%	-32
4	Batterie da trazione a piastre tubolari PzS o batterie OPzS	29,8	27,6	33,4 @25%	-32
5	Batterie da trazione a piastre tubolari PzS o batterie OPzS	30,2	27,6	33,8 @25%	-32
6	Batterie da trazione a piastre tubolari PzS o batterie OPzS	30,6	27,6	34,2 @25%	-32
7	Batterie al litio ferro fosfato (LiFePo ₄)	28,4	27,0	n.d.	0

Nota 1: dividere tutti i valori per due, in caso di un sistema a 12V e moltiplicarli per due, in caso di un sistema a 48V.

Nota 2: equalizzazione normalmente off, vedere sez. 3.9 per l'attivazione (Non equalizzare le batterie VRLA Gel e AGM)

Nota 3: qualsiasi cambio di impostazioni eseguito tramite il display LCD a spina o mediante Bluetooth sovrascriverà le impostazioni dell'interruttore a rotazione. Girando l'interruttore a rotazione si sovrascrivono le precedenti impostazioni, effettuate tramite display LCD a spina o Bluetooth.

Un codice LED binario aiuta a determinare la posizione dell'interruttore a rotazione.

Dopo aver cambiato la posizione dell'interruttore a rotazione, i LED lampeggeranno per 4 secondi come segue:

Cambio posizione	LED Prima fase di carica	LED Abs	LED Mantenimento	Frequenza lampeggiante
0	1	1	1	Veloce
1	0	0	1	Lento
2	0	1	0	Lento
3	0	1	1	Lento
4	1	0	0	Lento
5	1	0	1	Lento
6	1	1	0	Lento
7	1	1	1	Lento

Successivamente, riprendono le normali indicazioni, come descritto nella sezione sui LED.

3.10 LED

Indicatori LED:

- sempre acceso
- ◎ lampeggiante
- off

Funzionamento normale

LED	Prima fase di carica	Assorbimento	Mantenimento
Non carica (* 1)	◎	○	○
Prima fase di carica	●	○	○
Assorbimento	○	●	○
Equalizzazione manuale (lampeggio alternato)	◎	◎	○
Equalizzazione automatica	○	●	●
Mantenimento	○	○	●

Nota(*1): Il LED della prima fase di carica lampeggia brevemente ogni 3 secondi quando il sistema è alimentato ma non c'è potenza sufficiente per iniziare la carica.

Situazioni di Guasto

LED	Prima fase di carica	Assorbimento	Mantenimento
Temperatura caricabatterie troppo elevata	○	○	⊙
Sovracorrente del caricabatterie	⊙	○	⊙
Sovratensione del caricabatterie o del pannello	○	⊙	⊙
Problema di rete o BMS di VE.Smart	○	⊙	○
Errore interno (*2)	⊙	⊙	○

Nota(*2): Ad es., dati di calibrazione e/o impostazione persi, problemi del sensore in uso.

3.11 Informazioni sul caricamento della batteria

Il regolatore di carica inizia un nuovo ciclo di carica ogni mattina, quando sorge il sole.

Batterie al piombo-acido: il metodo predefinito per stabilire la durata e il termine dell'assorbimento

Il comportamento dell'algoritmo di carica degli MPPT differisce dai caricabatterie collegati alla corrente elettrica. Si prega di leggere attentamente questo paragrafo del manuale per comprendere il comportamento dell'MPPT e di seguire sempre le raccomandazioni del produttore della batteria.

Per impostazione predefinita, il tempo di assorbimento viene determinato con la tensione della batteria inattiva, all'inizio di ogni giorno e in base alla tabella seguente:

Tensione della batteria V_b (@avvio)	Moltiplicatore	Tempo massimo di assorbimento
$V_b < 11,9V$	x 1	6h
$11,9V < V_b < 12,2V$	x 2/3	4h
$12,2V < V_b < 12,6V$	x 1/3	2h
$V_b > 12,6V$	x 1/6	1h

(valori per sistemi a 12V, regolare per 24V)

Il contatore del tempo di assorbimento si avvia quando si passa dalla prima carica all'assorbimento.

I caricatori solari MPPT, inoltre, arresteranno l'assorbimento e passeranno al mantenimento una volta che la corrente della batteria sarà scesa al di sotto del limite di soglia di corrente bassa, la 'corrente di coda'.

Il valore di corrente di coda predefinito è di 2A.

I valori predefiniti (tensioni, moltiplicatore del tempo di assorbimento e corrente di coda) possono essere modificati tramite l'app Victronconnect via Bluetooth o VE.Direct.

Sono due le eccezioni al normale funzionamento:

1. Quando viene usato in un sistema ESS; l'algoritmo del caricatore solare viene disabilitato e segue la curva come imposto dall'invertitore/caricabatterie.
2. Per le batterie CAN-bus al litio, come la BYD, è la batteria a indicare al sistema, incluso il caricatore solare, quale tensione di carica utilizzare. Questo limite di tensione di carica (CVL, Charge Voltage Limit) per alcune batterie è persino dinamico, cioè cambia nel tempo, in base, per esempio, alla tensione massima della cella nel pacco e ad altri parametri.

Quando, nel caso delle eccezioni di cui sopra, diversi caricatori solari sono collegati a un dispositivo GX, questi verranno sincronizzati automaticamente.

Variazioni al comportamento atteso

1. **Messa in pausa del contatore del tempo di assorbimento.**
Il contatore del tempo di assorbimento si avvia quando viene raggiunta la tensione di assorbimento ed entra in pausa quando la tensione di uscita è al di sotto della tensione di assorbimento configurata. La caduta di questa tensione si verifica, per esempio, quando la corrente del modulo FV (a causa di annuvolamenti, alberi, ponti) non è sufficiente per caricare la batteria e per dare corrente ai carichi. Quando il timer dell'assorbimento è in pausa, l'indicatore LED dell'assorbimento lampeggerà molto lentamente.
2. **Riavvio del processo di carica**
Se la carica si è arrestata, l'algoritmo di carica verrà ripristinato (p.es., il tempo di assorbimento è entrato in pausa) per un'ora. Questo può accadere quando la tensione FV scende al di sotto della tensione della batteria a causa di maltempo, ombra o condizioni simili.
3. **Batteria in fase di carica o scarica prima che venga avviata la carica solare**
Il tempo di assorbimento automatico si basa sulla tensione di avvio della batteria (vedere tabella). La stima del tempo di assorbimento può risultare non corretta, qualora sia presente un'altra fonte di carica (p.es., un alternatore) o un carico sulle batterie. Questo è un problema connesso all'algoritmo predefinito. Tuttavia, nella maggior parte dei casi è comunque migliore di un tempo di assorbimento fisso, a prescindere dalle eventuali altre fonti di energia o dallo stato della batteria.
È possibile sovrascrivere l'algoritmo predefinito del tempo di assorbimento impostando un tempo di assorbimento fisso quando si programma il regolatore di carica solare. Tenere presente che ciò potrebbe sovraccaricare le batterie. Verificare con il produttore le impostazioni raccomandate.

4. Tempo di assorbimento determinato dalla corrente di coda
In alcune applicazioni potrebbe essere preferibile terminare il tempo di assorbimento sulla sola corrente di coda. Questo si può fare aumentando il moltiplicatore del tempo di assorbimento predefinito (attenzione: la corrente di coda delle batterie al piombo-acido non raggiunge lo zero, quando le batterie sono completamente cariche e questa corrente di coda "residua" può aumentare significativamente quando le batterie diventano più vecchie).

Impostazioni predefinite. Batterie LiFePO4

Le batterie LiFePO4 non necessitano di essere caricate completamente, per evitarne il guasto prematuro.

L'impostazione della tensione di assorbimento predefinita è a 14,2V (28,4V).

L'impostazione del tempo di assorbimento predefinita è di 2 ore.

L'impostazione di mantenimento predefinita è di 13,2V (26,4V).

Queste impostazioni sono regolabili.

Reimpostazione dell'algoritmo di carica:

L'impostazione predefinita per riavviare il ciclo di carica è

$V_{batt} < (V_{float} - 0,4V)$ per le batterie al piombo-acido e $V_{batt} < (V_{float} - 0,1V)$ per le batterie LiFePO4, durante 1 minuto.

(valore per batterie a 12V, moltiplicare per due per quelle a 24V)

3.12 Equalizzazione automatica

L'equalizzazione automatica è impostata per valore predefinito su "OFF".

Tramite la app Victron Connect (vedere sez. 1.12), questa impostazione può essere configurata con un numero compreso fra 1 (tutti i giorni) e 250 (una volta ogni 250 giorni).

Quando l'equalizzazione automatica è attiva, la carica di assorbimento viene seguita da un periodo a corrente costante limitato in tensione. La corrente è limitata all'8% o al 25% della corrente della prima fase di carica (vedere tabella alla sezione 3.5). La corrente della prima fase di carica è la corrente nominale del caricabatterie, se non si è scelta un'impostazione più bassa della corrente massima.

Quando si usa un'impostazione con un limite di corrente all'8%, l'equalizzazione automatica termina una volta raggiunto il limite di tensione oppure dopo un'ora, a seconda di quale degli eventi si verifica per primo.

Altre impostazioni: l'equalizzazione automatica termina dopo 4 ore.

Quando l'equalizzazione automatica non termina completamente in un giorno, non riprenderà il giorno successivo e la seguente sessione di equalizzazione avrà luogo come stabilito dall'intervallo di giorni.

.

3.13 Display LCD a spina - Dati in tempo reale

Rimuovere il sigillo di gomma che protegge la spina sul frontalino del regolatore e inserire il modulo display. Il display è sostituibile a caldo; ciò significa che il caricabatterie può funzionare mentre il display è collegato.



Le seguenti informazioni saranno visualizzate se si preme il pulsante "-" (in ordine di visualizzazione):

Informazioni visualizzate	Icone	Segmenti	Unità
Tensione della batteria e corrente di carica		28.8	50 A
Corrente di carica batteria		50.0	A
Tensione batteria		28.80	V
Potenza di carica batteria		120.0	W
Temperatura batteria ⁽¹⁾		25.0, ---, Err	°C/°F
Temperatura Caricabatterie ⁽¹⁾		25.0, ---, Err	°C/°F
Pannello corrente		8.5	A
Pannello tensione		85.0	V
Pannello potenza		135.0	W
Messaggio di avvertenza ⁽²⁾		i nF	65
Messaggio di errore ⁽²⁾		Err	2
Funzionamento remoto ⁽²⁾		rE:0tE	
Funzionamento BMS ⁽²⁾		b:5	

Note:

1) Si mostra una temperatura valida, --- = senza informazioni del sensore o Err = dati sensore non validi.

2) Questi elementi sono visibili solo quando importanti.

Premendo il pulsante "-" o il pulsante "+" per 4 secondi si attiva la modalità di scorrimento automatico. Ora tutte le schermate LCD appariranno di una in una a brevi intervalli. La modalità di scorrimento automatico si può arrestare premendo brevemente il pulsante "-" o il pulsante "+".

3.14 Display LCD a spina - Dati cronologia

Il regolatore di carica traccia vari parametri riguardanti la raccolta di energia. Entrare nei dati della cronologia premendo il pulsante SELECT nella modalità monitoraggio e apparirà un testo scorrevole. Premere - o + per navigare tra i vari parametri, come mostrato nella tabella in basso; premere SELECT per arrestare lo scorrimento e appariranno i corrispondenti valori. Premere + o - per navigare fra i vari valori. Per gli elementi giornalieri è possibile scorrere i 30 giorni precedenti (i dati diventano disponibili nel corso del tempo) e una rapida popup mostra il numero del giorno. Premere SELECT per uscire dal menu della cronologia e tornare alla modalità monitoraggio, oppure premere SETUP per tornare al testo scorrevole.

Testo scorrevole	Icone (1)	Segmenti	Unità	Informazioni visualizzate	
MI EL d t De RL		258.0	kWh	Rendimento totale	
LASE ErrOr		E0	2	Totale errori 0 (più recente)	
		E1	0	Totale errori 1 (mostrato quando disponibile)	
		E2	0	Totale errori 2 (mostrato quando disponibile)	
		E3	0	Totale errori 3 (mostrato quando disponibile)	
PRnEL uDLtRAGE rARI rUg		U	95.0	V	Totale massima tensione pannello
bARtERy uDLtRAGE rARI rUg		H	28.8	V	Totale massima tensione batteria
MI EL d		Y	8.6	kWh giornalieri	Rendimento giornaliero
bARtERy uDLtRAGE rARI rUg		H	28.8	V giorno	Massima tensione batteria giornaliera
bARtERy uDLtRAGE rARI rUg		L	25.0	V giornaliero	Massima tensione batteria giornaliera
LASE ErrOr		E0	2	Giorno	Errori giornalieri 0 (più recente)
		E1	0	Giorno	Errori giornalieri 1 (mostrato quando disponibile)
		E2	0	Giorno	Errori giornalieri 2 (mostrato quando disponibile)
		E3	0	Giorno	Errori giornalieri 3 (mostrato quando disponibile)
tI rE bULH		bb	60	Giorno	Tempo giornaliero in prima fase di carica o in ESS (minuti)
tI rE AbSD-PEt On		tA	30	Giorno	Tempo giornaliero in assorbimento (minuti)
tI rE FDRt		tF	60	Giorno	Tempo giornaliero in mantenimento (minuti)
rARI rUg PDLER		P	735	W giorno	Potenza massima giornaliera
bARtERy CUrrEnt rARI rUg		C	50.0	A giorno	Massima corrente batteria giornaliera
PRnEL uDLtRAGE rARI rUg		U	95.0	V giorno	Massima tensione pannello giornaliera

Nota:

Quando il caricabatterie non è attivo (durante la notte) le icone di prima fase di carica, assorbimento e mantenimento appariranno come mostrato nella precedente tabella.

Quando il caricabatterie è attivo appare solo un'icona: quella corrispondente all'attuale stato di carica.

3.15 Display LCD a spina - Menù configurazione

- Per entrare nel Menù SETUP, premere e tenere premuto il pulsante SETUP per 3 secondi. L'icona "Menù" si accende e appare un testo scorrevole.
- Premere il pulsante "-" o "+" per scorrere i parametri.
- La tabella più in basso elenca, in ordine di visualizzazione, tutti i parametri regolabili premendo il pulsante "-".
- Premere SELECT: il parametro da cambiare lampeggia.
- Utilizzare il pulsante "-" o "+" per scegliere il valore desiderato.
- Premere SELECT per confermare il cambio: il valore smette di lampeggiare e il cambio è terminato.
- Premere SETUP per tornare al menù parametri. Mediante il pulsante "-" o "+" è ora possibile spostarsi a un altro parametro da cambiare.
- Per tornare alla modalità normale, premere SETUP per 3 secondi.

Testo scorrevole	Icone	Segmenti	Unità	Funzioni o parametri
01 PO:Er On Off		On, Off		Interruttore on/ off
02 ĦAMI ĦUĦ ĦAR-9E ĈURrEnt		1.0-100.0	A	Corrente di carica massima
03 bRtErY uDLtR9E		12-48	V	Tensione del sistema
04 ĦAR-9E AL9D-i tĦĦ		0,7-USEr	Tipo	Algoritmo di carica (1)
05 Rb5Or-PtI On uDLtR9E		16.0-28.8-34.8	V	Tensione di assorbimento (2)
06 FLDRt uDLtR9E		16.0-27.6-34.8	V	Tensione di mantenimento (2)
08 EQUALiZRtI On uDLtR9E		16.0-32.4-34.8	V	Tensione di equalizzazione (2)
09 RAutDRtI On EQUALiZRtI On		OFF, Auto		Equalizzazione automatica (3)
10 ĦAR-9E EQUALiZRtI On		5Ar-t, 5tOP		Equalizzazione manuale (4)
11 rELAY ĦDĈE		rEL, OFF, 1-3-10		Funzione relè (5)
12 rELAY LD: uDLtR9E		Lb 16.0-20.0-34.8	V	Impostazione allarme bassa tensione batteria
13 rELAY CLER: LD: uDLtR9E		Lbc 16.0-21.0-34.8	V	Cancellazione allarme bassa tensione batteria
14 rELAY H 9H uDLtR9E		Hb 16.0-33.0-34.8	V	Impostazione allarme alta tensione batteria
15 rELAY CLER: H 9H uDLtR9E		Hbc 16.0-32.0-34.8	V	Cancellazione allarme alta tensione batteria
16 rELAY H 9H PRANEL uDLtR9E		U 1.0-150.0	V	Impostazione allarme alta tensione pannello
17 rELAY CLER: H 9H PRANEL uDLtR9E		Uc 1.0-149.0-150.0	V	Cancellazione allarme alta tensione pannello
18 rELAY Ħi ĦUĦ cLOSEd tI:TE		rĦC 0-500		tempo minimo di chiusura del relè (minuti)
20 tErPErRtUr-E cDrPErSRtI On		-5.0-2.7-0.0	°C mV	Compensazione temperatura batteria per cella (2)
21 bRtL ĈURrEnt		0.0-2.0-100.0	A	Corrente di coda
23 ĦAMI ĦUĦ Rb5Or-PtI On tI:TE		1.0-6.0-24.0	h	Tempo di assorbimento
28 rEBULH OFFSEt uDLtR9E		0.0 1.0-10-5.2	V	Ridimensionare la tensione di offset (sottratta dall'impostazione 6)
29 LD: tErPErRtUr-E ĦAR-9E ĈURrEnt		0.0-100.0	A	corrente di carica max. inferiore al livello di bassa temperatura (elemento 30)
30 LD: tErPErRtUr-E LEuEL		-10.0-5-10.0	°C	Livello di bassa temperatura (per elemento 29)
31 bĦ5 PrESEnt		bĦ5 0, n		BMS Presente (6)
35 LDRd ĦDĈE		LDRd 0-1-6		Controllo carico (7)
36 LDRd LD: uDLtR9E		LL 16.0-20.0-34.8		Carico bassa tensione definita dall'utente
37 LDRd H 9H uDLtR9E		Lh 16.0-28.0-34.8		Carico alta tensione definita dall'utente
40 ĦAMI ĦUĦ EQUALiZRtI On tI:TE		1.0-4.0-24.0	h	Tempo massimo di equalizzazione automatica
41 EQUALiZRtI On RAut StOP		0, n		L'equalizzazione si interrompe quando viene raggiunta la tensione (impostazione 8)

Testo scorrevole	Icone	Segmenti	Unità	Funzioni o parametri
42 EQUALIZAZIONE CURRENTE PERCENTUALE	Menu Equalize	0-25	100	Percentuale corrente di equalizzazione (percentuale dell'impostazione 2)
49 BACILLI SPINNE	Menu		0-1	Intensità retroilluminazione
50 BACILLI SPINNE ALTA	Menu	OFF, ON	ALTO	La retroilluminazione di spegne automaticamente dopo 60s (8)
51 SCROLL SPEED	Menu		1-3	Velocità scorrimento testo
57 RX MODE	Menu	rH	0-3	Modalità pin RX porta VE.Direct (9)
58 TX MODE	Menu	tH	0-4	Modalità pin TX porta VE.Direct (10)
59 CAN ADDRESS	Menu	nA	0-255	Indirizzo di rete VE.Can
60 CAN DEVICE INSTANCE	Menu	dI	0-255	Istanza dispositivo VE.Can
61 SOFTWARE VERSION	Menu	V, P		Versione software
62 RESET DEFAULTS	Menu	RESET		Ripristino impostazioni predefinite (11)
63 CLEAR HISTORY	Menu	CLEAR		Ripristino cronologia dei dati (12)
64 LOCK SETUP	Menu	LOCK	Y, N	Blocco impostazioni
67 TEMPERATURE UNIT	Menu	CELSIUS	F, R, N	Temperatura unità °C/°F

Note:

- 1) Il tipo di batteria definito in fabbrica si può selezionare mediante l'interruttore a rotazione sito vicino al connettore VE.Direct. Il tipo selezionato apparirà qui. Le impostazioni si possono alternare fra tipo definito in fabbrica e "USER".
- 2) Questi valori possono essere cambiati SOLO per il tipo di batteria "USER". I valori mostrati nella tabella corrispondono a una batteria da 24V.
- 3) L'equalizzazione automatica si può impostare su "OFF" (predefinito) o su un numero compreso fra 1 (ogni giorno) e 250 (una volta ogni 250 giorni). Vedere la sezione 3.8 per ulteriori dettagli riguardo l'equalizzazione automatica.
- 4) Per permettere al caricatore di equalizzare correttamente la batteria, utilizzare l'opzione di equalizzazione manuale solamente durante i periodi di assorbimento e di mantenimento, e quando ci sia abbastanza luce solare. Premere SELECT: il testo "5tArL" lampeggerà, premere nuovamente SELECT per avviare l'equalizzazione. Per arrestare la modalità equalizzazione prima del termine, entrare nel menù di configurazione e scorrere fino all'elemento 10, poi premere SELECT: il testo "5tDP" lampeggerà, premere nuovamente SELECT per arrestare l'equalizzazione. La durata dell'equalizzazione manuale è di 1 ora.
- 5) Funzione relè (Impostazione 11):

Valore	Descrizione
0	Relè sempre off
1	Tensione pannello alta (configurazione elementi 16 e 17)
2	Temperatura interna alta (>85°C)
3	Tensione batteria troppo bassa (configurazione elementi 12 e 13, impostazione predefinita)
4	Equalizzazione attiva
5	Condizione di errore presente
6	Temperatura interna bassa (< -20°C)
7	Tensione batteria troppo alta (configurazione elementi 14 e 15)
8	Caricabatterie in mantenimento o magazzino
9	Rilevamento diurno (pannelli irradiati)
10	Controllo carico (il relè cambia in base alla modalità di controllo del carico, vedere impostazione 35 e nota 7)

- 6) Il parametro "BMS presente" sarà impostato su "Sì, internamente" quando si rileva un BMS compatibile. L'impostazione 31 si può usare per ripristinare il normale funzionamento del caricabatterie (ad es., senza BMS), impostandolo manualmente su "No". (ad esempio:

se il caricabatterie viene spostato a un'altra ubicazione, nella quale non è necessario in BMS, non può essere impostato manualmente su "SI").

7) Modalità controllo carico (impostazione 35).

Per utilizzare il relè (impostazione 11, valore 10) o la porta VE.Direct (impostazione 58, valore 4) per controllare il carico secondo le seguenti opzioni:

Valore	Descrizione
0	Uscita del carico sempre off
1	Algoritmo BatteryLife (predefinito)
2	Algoritmo convenzionale 1 (off<22,2V, on>26,2V)
3	Algoritmo convenzionale 2 (off<23,6V, on>28,0V)
4	Uscita del carico sempre on
5	Algoritmo definito dall'utente 1 (off<20,0V, on>28,0V)
6	Algoritmo definito dall'utente 2 (off<20,0V< on< 28,0V< off)

8) Lo spegnimento automatico della retroilluminazione possiede le seguenti opzioni: OFF=la retroilluminazione rimane sempre accesa, ON=la retroilluminazione si smorza 60 sec dopo che si è premuto il tasto l'ultima volta, AUTO=durante la carica la retroilluminazione è accesa, altrimenti si smorza.

9) Modalità pin RX porta VE.Direct (impostazione 57)

Valore	Descrizione
0	Accensione/spegnimento remoto (predefinito) . Si può usare per il controllo di accensione - spegnimento mediante BMS VE.Bus (invece di collegare il BMS alla porta remota di accensione-spegnimento). È necessario un cavo non invertibile di accensione/spegnimento remoto VE.Direct. (ASS030550310)
1	Nessuna funzione.
2	Il pin RX può diseccitare il relè (relè off), se è stata impostata la funzione relè 10 dell'impostazione 11 (vedere nota 5, valore 10). L'opzione di controllo del carico (impostazione 35) rimane valida.
3	In altre parole, si crea una funzione AND: sia il controllo del carico che il pin RX devono essere alti (valore=2) o bassi (valore=3) per eccitare il relè.

10) Modalità pin TX porta VE.Direct (impostazione 58)

Valore	Descrizione
0	Comunicazione normale VE.Direct (per difetto) . Ad esempio, per comunicare con un pannello Color Control (è necessario un cavo VE.Direct)
1	Premere ogni 0.01 kWh
2	Controllo oscuramento luce (pwm normale), è necessario un cavo di uscita digitale TX (ASS0305505500)
3	Controllo oscuramento luce (pwm invertito), è necessario un cavo di uscita digitale TX (ASS0305505500)
4	Modalità di controllo del carico: il pin TX cambia in base alla modalità di controllo del carico, vedere nota 7. È necessario un cavo di uscita digitale TX (ASS0305505500) per interfacciare la porta di controllo del carico a un livello logico.

11) Premere SELECT: il testo "r-ESE" lampeggerà, premere nuovamente SELECT per ripristinare le impostazioni di fabbrica. Il caricabatterie si riavvia. I dati della cronologia non saranno interessati (contatore kWh, ecc.).

12) Premere SELECT: il testo "CLEAR" lampeggerà, premere nuovamente SELECT per cancellare i dati della cronologia (contatore kWh, ecc.). Tenere presente che questa operazione tarda alcuni secondi.

Nota: qualsiasi cambio di impostazioni eseguito tramite il display LCD a spina o mediante Bluetooth sovrascriverà le impostazioni dell'interruttore a rotazione.

Girando l'interruttore a rotazione si sovrascrivono le precedenti impostazioni, effettuate tramite display LCD a spina o Bluetooth.

Avvertenza: Alcuni produttori di batterie consigliano un periodo di equalizzazione a corrente costante, e altri no. Non usare l'equalizzazione a corrente costante se non è consigliato dal produttore della batteria.



4. Risoluzione dei problemi

Problema	Possibile causa	Risoluzione
Il caricabatterie non funziona	Connessione fotovoltaica invertita	Connettere il fotovoltaico correttamente
	Collegamento della batteria invertito	Fusibile non sostituibile bruciato. Restituire a VE per la
La batteria non viene caricata appieno	Collegamento errato della batteria	Verificare il collegamento della batteria
	Perdite dei cavi troppo elevate	Usare cavi con sezione maggiore
	Notevole differenza di temperatura esterna tra il caricatore e la batteria ($T_{\text{ambient_chrg}} > T_{\text{ambient_batt}}$)	Verificare che le condizioni ambientali del caricatore e della batteria siano le stesse
	<i>Solo per il sistema da 24V o 48V: selezione errata del sistema di voltaggio (ad es., 12V invece di 24V) da parte del regolatore di carica</i>	Impostare manualmente il regolatore sulla tensione del sistema richiesta
La batteria è sovraccarica	Una cella della batteria è difettosa	Sostituire la batteria
	Notevole differenza di temperatura esterna tra il caricatore e la batteria ($T_{\text{ambient_chrg}} < T_{\text{ambient_batt}}$)	Verificare che le condizioni ambientali del caricatore e della batteria siano le stesse

EN

NL

FR

DE

ES

SE

IT

Appendice

Utilizzando il display LCD a spina o il VictronConnect e i procedimenti descritti a continuazione, si può identificare rapidamente la maggior parte degli errori. Se non è possibile risolvere l'errore, contattare il fornitore Victron Energy.

N. errore	Problema	Causa / Risoluzione
n. d.	Il LCD non si illumina (retroilluminazione e display assenti)	L'alimentazione interna utilizzata per alimentare il convertitore e la retroilluminazione deriva dal pannello solare o dalla batteria. Se il fotovoltaico e la tensione della batteria si trovano entrambi al di sotto dei 6V, il LCD non si illumina. Assicurarsi che il display LCD sia correttamente collegato alla presa.
n. d.	Il LCD non si illumina (la retroilluminazione funziona, il display no, il caricabatteria sembra funzionare)	Potrebbe dipendere da una bassa temperatura ambiente. Se la temperatura ambiente si trova al di sotto dei -10°C (14°F), i segmenti del LCD possono diventare indistinti. Al di sotto dei -20°C (-4°F), i segmenti del LCD possono diventare invisibili. Durante la carica, il display LCD si riscalderà e la schermata diventerà visibile.
n. d.	Il regolatore di carica non carica la batteria	Il display LCD indica che la corrente di carica è di 0 Amp. Controllare la polarità dei pannelli solari. Controllare l'interruttore della batteria Controllare se è presente un'indicazione di errore sul LCD Controllare se il caricabatterie è impostato su "ON" nel menù. Controllare se l'Entrata remota è collegata. Controllare se è stata selezionata la corretta tensione del sistema
n. d.	Temperatura alta: l'icona del termometro lampeggia	Questo errore sparirà automaticamente quando scenda la temperatura. Corrente di uscita ridotta a causa dell'alta temperatura. Controllare la temperatura ambiente e se siano presenti ostruzioni vicino al dissipatore.
Err 2	Tensione batteria troppo elevata (>76,8V)	Questo errore sparirà automaticamente quando scenda la tensione della batteria. Questo errore può essere causato da un altro dispositivo di carica collegato alla batteria o da un guasto del regolatore di carica.
Err 17	Regolatore surriscaldato nonostante la corrente di uscita ridotta	Questo errore sparirà automaticamente quando si raffreddi il caricabatterie. Controllare la temperatura ambiente e se siano presenti ostruzioni vicino al dissipatore.
Err 18	Sovracorrente del regolatore	Questo errore sparirà automaticamente. Scollegare il regolatore di carica da tutte le fonti di alimentazione, attendere 3 minuti e ricollegarlo. Se l'errore persiste, il regolatore di carica potrebbe essere guasto.
Err 20	Tempo massimo di prima fase di carica superato	Questo errore si può verificare solo quando è attiva la protezione tempo massimo prima fase di carica. Questo errore non sparirà automaticamente. Questo errore si verifica quando non si raggiunge la tensione di assorbimento della batteria dopo 10 ore di carica. Per i normali impianti solari non è consigliabile usare la protezione tempo massimo prima fase di carica.

N. errore	Problema	Causa / Risoluzione
Err 21	Problema del sensore di corrente	Probabilmente il regolatore di carica è guasto. Questo errore non sparisce automaticamente.
Err 26	Morsetto surriscaldato	Morsetti di alimentazione surriscaldati, controllare il cablaggio e, se possibile, stringere i bulloni. Questo errore sparisce automaticamente.
Err 33	Sovratensione fotovoltaico	Questo errore sparisce automaticamente quando la tensione del fotovoltaico scende fino al limite di sicurezza. Questo errore indica che la configurazione del pannello fotovoltaico, rispetto alla tensione a circuito aperto, è critica per questo caricabatterie. Controllare la configurazione e, se necessario, riorganizzare i pannelli.
Err 34	Sovracorrente fotovoltaico	La corrente proveniente dal pannello solare ha superato i 75A. Questo errore può essere causato da un guasto interno del sistema. Scollegare il caricabatterie da tutte le fonti di alimentazione, attendere 3 minuti e ricollegarlo. Se l'errore persiste, il regolatore di carica potrebbe essere guasto. Questo errore sparisce automaticamente.
Err 38	Arresto dell'entrata in seguito a sovratensione della batteria	Per proteggere la batteria dall'eccesso di carica, l'entrata del pannello è chiusa. Per risolvere questa situazione, per prima cosa scollegare i pannelli solari e la batteria. Attendere 3 minuti e ricollegare prima la batteria e poi i pannelli. Se l'errore persiste, il regolatore di carica potrebbe essere guasto.
Inf 65	Avvertenza di comunicazione	La comunicazione con uno dei regolatori collegati in parallelo è stata persa. Per eliminare l'avvertenza, spegnere il regolatore e poi riaccenderlo.
Inf 66	Dispositivo non compatibile	Il regolatore è collegato in parallelo con un altro regolatore che possiede un'impostazione diversa e/o un diverso algoritmo di carica. Assicurarsi che tutte le impostazioni siano uguali e aggiornare il firmware di tutti i caricabatterie all'ultima versione.
Err 67	Perdita della connessione BMS	Connessione al BMS persa, controllare le connessioni (cablaggio / collegamento al Bluetooth). Quando il caricabatterie deve funzionare nuovamente in modalità autonoma, nel menù di configurazione cambiare le impostazioni "BMS" da "Y" a "N" (elemento 31 configurazione).
Err 114	Temperatura della CPU troppo elevata	Questo errore sparisce quando si raffredda la CPU. Se l'errore persiste, controllare la temperatura ambiente e se siano presenti ostruzioni vicino ai fori delle prese d'aria dell'armadio del caricabatterie. Consultare il manuale con le istruzioni di montaggio rispetto al raffreddamento. Se l'errore persiste, il regolatore potrebbe essere guasto.
Err 116	Perdita dati calibrazione	Questo errore non sparisce automaticamente.
Err 119	Perdita dati impostazioni	Questo errore non sparisce automaticamente. Ripristinare le impostazioni predeterminate nel menù di configurazione (elemento 62 configurazione). Scollegare il regolatore di carica da tutte le fonti di alimentazione, attendere 3 minuti e ricollegarlo.

Per ulteriori domande vedere le FAQ:

https://www.victronenergy.com/live/drafts:mppt_faq

Specifiche

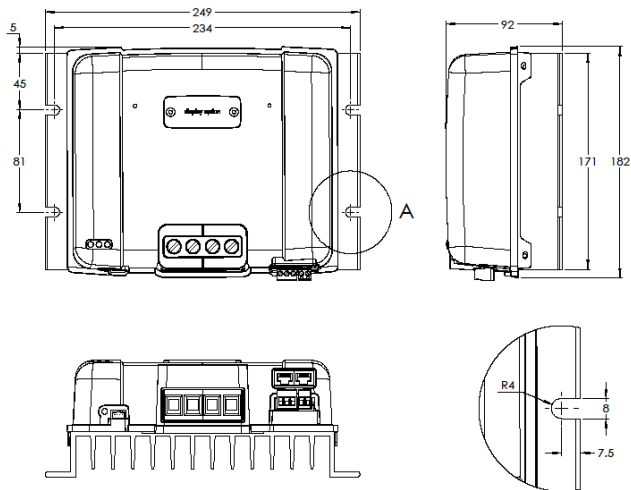
Regolatore di carica SmartSolar	MPPT 150/70	MPPT 150/100
Tensione batteria	12/24/48V con selezione automatica (36V: manuale)	
Corrente massima della	70A	100A
Potenza fotovoltaica nom., 12V 1a,b)	1000W	1450W
Potenza fotovoltaica nom., 24V 1a,b)	2000W	2900W
Potenza fotovoltaica nom., 36V 1a,b)	3000W	4350W
Potenza fotovoltaica nom., 48V 1a,b)	4000W	5800W
Max. corrente di cortocircuito FV 2)	50A (max 30A per conn. MC4)	70A (max 30A per conn. MC4)
Massima tensione fotovoltaica a circuito aperto	150V in condizioni di temperatura minima 145V max. in avviamento e funzionamento	
Massimo rendimento	98%	
Autoconsumo	Meno di 35mA @ 12V / 20mA @ 48V	
Tensione di carica	Impostazione predefinita: 14,4V / 28,8V / 43,2V / 57,6V (regolabile)	
Tensione di carica	Impostazione predefinita: 13,8V / 27,6V / 41,4V / 55,2V (regolabile)	
Tensione di carica	Impostazione predefinita: 16,2V / 32,4V / 48,6V / 64,8V (regolabile)	
Algoritmo di carica	adattivo a più fasi (otto algoritmi programmati) o algoritmo definito dall'utente	
Compensazione della	-16mV/°C / -32mV/°C / -64mV/°C	
Protezione	Inversione di polarità batteria (fusibile, non accessibile per l'utente) Polarità inversa FV / Cortocircuito uscita / Sovratemperatura	
Temperatura di esercizio	Da -30 a + 60°C (uscita nominale massima fino a 40°C)	
Umidità	95%, senza condensa	
Altezza massima	5000m (uscita massima nominale fino a 2000m)	
Condizioni ambientali	Interno, non condizionato	
Grado di contaminazione	PD3	
Porta di comunicazione dati	VE.Can, VE.Direct o Bluetooth	
Accensione/ spegnimento	Sì (connettore bipolare)	
Relè (programmabile)	DPST CA nominale: 240VAC/4A CC nominale: 4A fino a	
Funzionamento in parallelo	Sì	
CARCASSA		
Colore	Blu (RAL 5012)	
Morsetti FV	35mm ² / AWG2 (modelli Tr), o tre paia di connettori MC4 (modelli MC4)	
Morsetti batteria	35mm ² / AWG2	
Categoria protezione	IP43 (componenti elettronici) IP22 (zona di raccordo)	
Peso	3kg	4,5kg
Dimensioni (a x l x p)	185 x 250 x 95 mm	216 x 295 x 103 mm
NORMATIVE		
Sicurezza	EN/IEC 62109-1, UL 1741, CSA C22.2	
1a) Se si collega più potenza fotovoltaica, il regolatore limiterà l'ingresso di potenza.		
1b) La tensione fotovoltaica deve superare Vbat + 5V perché il regolatore si avvii. Successivamente la tensione fotovoltaica minima sarà Vbat + 1V.		
2) Una corrente di cortocircuito più alta potrebbe danneggiare il regolatore in caso di connessione a polarità invertita del pannello fotovoltaico.		
3) Impostazione predefinita: OFF		



Figure 1: Power connections
Illustration 1 : Connexions électriques
Abbildung 1: Stromanschlüsse
Figura 1: Conexiones de alimentación
Bild 1: Strömanslutningar
Figura 1: Conessioni elettriche

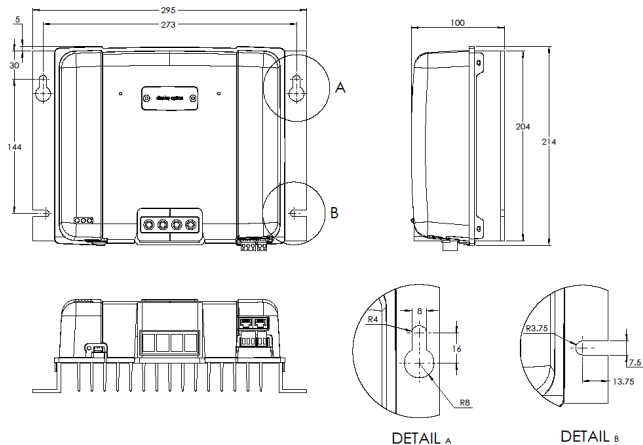


SmartSolar MPPT 150 | 70 – Tr dimensions
SmartSolar MPPT 150 | 70 – Tr dimensions
SmartSolar MPPT 150 | 70 – Tr Maße
SmartSolar MPPT 150 | 70 – Tr dimensiones
SmartSolar MPPT 150 | 70 – Tr dimensioner
SmartSolar MPPT 150 | 70 – Misure Tr



DETAIL A

SmartSolar MPPT 150 I 100 – Tr dimensions
SmartSolar MPPT 150 I 100 – Tr dimensions
SmartSolar MPPT 150 I 100 – Tr Maße
SmartSolar MPPT 150 I 100 – Tr dimensiones
SmartSolar MPPT 150 I 100 – Tr dimensioner
SmartSolar MPPT 150 I 100 – Misure Tr



Victron Energy Blue Power

Distributor:

Serial number:

Version : 02

Date : August 30th, 2019

Victron Energy B.V.

De Paal 35 | 1351 JG Almere

PO Box 50016 | 1305 AA Almere | The Netherlands

General phone

: +31 (0)36 535 97 00

E-mail

: sales@victronenergy.com

www.victronenergy.com