

Manual

EN

Handleiding

NL

Manuel

FR

Anleitung

DE

Manual

ES

Användarhandbok

SE

Manuale

IT

Manual

PT

SmartShunt
500A
1000A
2000A

Table of Contents

1	Safety precautions	5
1.1	Battery safety warnings	5
1.2	Transport and storage	5
2	Introduction	6
2.1	SmartShunt	6
2.2	Why should I monitor my battery?	6
2.3	Sizing	6
2.4	VictronConnect	6
2.5	Accessories	6
3	Installation	7
3.1	What is in the box?	7
3.2	Mounting	7
3.3	Basic electrical connections	7
3.3.1	Battery minus connection	7
3.3.2	Load minus connection	7
3.3.3	Vbatt+ connection	7
3.4	Auxiliary electrical connections	8
3.4.1	Aux connection for monitoring the voltage of a second battery	8
3.4.2	Aux connection for monitoring midpoint of a battery bank	8
3.4.3	Aux connection for temperature monitoring	9
3.5	GX device connection	9
4	Commissioning	10
4.1	Download and install VictronConnect	10
4.2	Place the fuse	10
4.3	Connect to the SmartShunt	10
4.4	Update firmware	10
4.5	Make essential settings	10
4.5.1	Set the battery capacity setting	11
4.5.2	Set the charged voltage setting	11
4.5.3	State of charge settings	11
4.5.4	Set auxiliary input function	12
4.6	Make Lithium settings (if needed)	12
5	Operation	13
5.1	How does the SmartShunt work?	13
5.2	Readout overview	13
5.3	Synchronising the SmartShunt	14
5.3.1	Automatic synchronisation	14
5.3.2	Manual synchronisation	15
5.4	Alarms	15
5.5	History data	15

- 5.6 Trends 16
- 5.7 LED status codes 16
- 6 Interfacing 17**
 - 6.1 VictronConnect via USB 17
 - 6.2 Connecting to a GX device and VRM 17
 - 6.3 Connecting to VE.Smart network 18
 - 6.4 Custom integration (programming required) 18
- 7 All features and settings 19**
 - 7.1 Battery settings 19
 - 7.1.1 Battery capacity 19
 - 7.1.2 Charged voltage 19
 - 7.1.3 Discharge floor 19
 - 7.1.4 Tail current 19
 - 7.1.5 Charged detection time 20
 - 7.1.6 Peukert exponent 20
 - 7.1.7 Charge efficiency factor 20
 - 7.1.8 Current threshold 20
 - 7.1.9 Time-to-go averaging period 20
 - 7.1.10 Battery starts synchronised 21
 - 7.1.11 State of charge 21
 - 7.1.12 Synchronise SoC to 100% 21
 - 7.1.13 Zero current calibration 21
 - 7.2 Alarm settings 21
 - 7.2.1 SoC alarm setting 22
 - 7.2.2 Low voltage alarm 22
 - 7.2.3 High voltage alarm 22
 - 7.2.4 Low starter voltage alarm 22
 - 7.2.5 High starter voltage alarm 23
 - 7.2.6 Midpoint deviation alarm 23
 - 7.2.7 High temperature alarm 23
 - 7.2.8 Low temperature alarm 23
 - 7.3 Miscellaneous settings 24
 - 7.3.1 Aux input 24
 - 7.3.2 Temperature coefficient 24
 - 7.4 Temperature unit setting 24
 - 7.5 Product settings 24
 - 7.5.1 Reset to defaults 24
 - 7.5.2 Custom name 24
 - 7.5.3 Firmware 25
 - 7.5.4 Changing PIN code 25
 - 7.5.5 Disabling and re-enabling Bluetooth 25

7.5.6	Serial number.....	25
7.6	Saving, loading and sharing settings.....	Error! Bookmark not defined.
7.7	Reset history.....	26
7.8	Reset PIN code	26
8	Battery capacity and Peukert exponent.....	26
9	Midpoint voltage monitoring	28
9.1	Battery bank and midpoint wiring diagrams	28
9.1.1	Connecting and monitoring midpoint in a 24V battery bank.....	28
9.1.2	Connecting and monitoring midpoint in a 48V battery bank.....	29
9.2	Midpoint deviation calculation	29
9.3	Setting the alarm level	30
9.4	Alarm delay	30
9.5	What to do in case of an alarm during charging.....	30
9.6	What to do in case of an alarm during discharging	31
9.7	The Battery Balancer	31
10	Troubleshooting	32
10.1	Functionality issues.....	32
10.1.1	Unit is dead, no lights on	32
10.1.2	Auxiliary port not working	32
10.1.3	Can't change settings.....	32
10.2	Connection issues.....	32
10.2.1	Cannot connect via Bluetooth.....	32
10.2.2	PIN code lost.....	33
10.3	Incorrect readings	33
10.3.1	Charge and discharge current are inverted.....	33
10.3.2	Incomplete current reading	34
10.3.3	There is a current reading while no current flows	34
10.3.4	Incorrect state of charge reading	34
10.3.5	State of charge indicates three dashes "---"	34
10.3.6	State of charge does not reach 100%.....	34
10.3.7	Incorrect voltage reading	35
10.3.8	Synchronisation issues.....	35
11	Technical data.....	36

1 SAFETY PRECAUTIONS

1.1 Battery safety warnings



Working in the vicinity of a lead acid battery is dangerous. Batteries can generate explosive gases during operation. Never smoke or allow a spark or flame in the vicinity of a battery. Provide sufficient ventilation around the battery.



Wear eye and clothing protection. Avoid touching eyes while working near batteries. Wash your hands when done.



If battery acid contacts skin or clothing, wash them immediately with soap and water. If acid enters an eye, immediately flood the eye with running cold water for at least 15 minutes and get medical attention immediately.



Be careful when using metal tools in the vicinity of batteries. Dropping a metal tool onto a battery might cause a short circuit and possibly an explosion.



Remove personal metal items such as rings, bracelets, necklaces, and watches when working with a battery. A battery can produce a short circuit current high enough to melt objects such as rings, causing severe burns.

1.2 Transport and storage

Store the SmartShunt in a dry environment.
The storage temperature should be: -40°C to $+60^{\circ}\text{C}$.

2 INTRODUCTION

2.1 SmartShunt

The SmartShunt is a battery monitor. It measures battery voltage and current. Based on these measurements it calculates state of charge, time to go and keeps track of historical data, such as deepest discharge, average discharge and number of cycles.

The SmartShunt connects via Bluetooth to the [VictronConnect App](#). The VictronConnect App is used to read out all monitored battery parameters and is also used to make or change settings. Alternatively, the SmartShunt can connect to a [GX device](#), like the ColorControl GX or the Cerbo GX.

The SmartShunt has an auxiliary input that can be used to monitor the voltage of a second battery or to monitor the midpoint of a battery bank. The auxiliary input can also be used for battery temperature monitoring together with the optional [Temperature sensor for BMV](#).

2.2 Why should I monitor my battery?

Batteries are used in a wide variety of applications, mostly to store energy for later use. But how much energy is stored in the battery? No one can tell by just looking at it.

The service life of batteries depends on many factors. Battery life may be shortened by under-charging, over-charging, excessively deep discharges, excessive charge or discharge currents, and by high ambient temperature. Monitoring the battery with an advanced battery monitor will give important feedback to the user so that remedial measures can be taken when necessary. Doing this will extend battery life and the SmartShunt will quickly pay for itself.

2.3 Sizing

The SmartShunt is available in 3 sizes being: 500A, 1000A and 2000A.

2.4 VictronConnect

VictronConnect is a free App and it is available for Android, iOS, MacOS or Windows.

It can be downloaded from the respectively App stores or our download page. VictronConnect is needed to set up and to read out the SmartShunt.

2.5 Accessories

These parts might be needed depending on your setup:

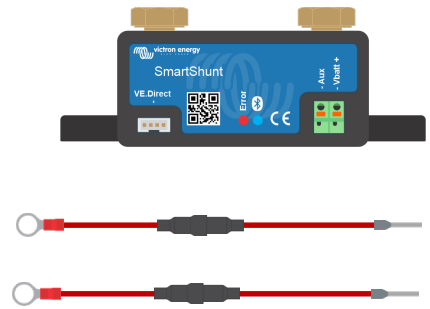
- Temperature sensor for BMV.
- VE.Direct to USB interface.
- GX device.
- VE.Direct cable.

3 INSTALLATION

3.1 What is in the box?

In the box you will find the following parts:

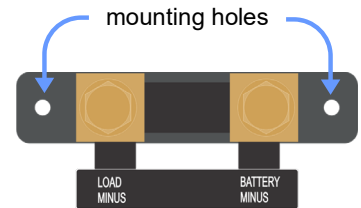
- SmartShunt 500A, 1000A or 2000A.
- Two red cables, both with fuse.



3.2 Mounting

The SmartShunt has two 5.5 mm holes for mounting purposes located in the base of the SmartShunt. The holes can be used to screw or bolt the SmartShunt onto a hard surface (screws are not included).

The SmartShunt is rated IP21. This means that the SmartShunt is not waterproof and has to be mounted in a dry location.



3.3 Basic electrical connections

The SmartShunt has 3 essential connections and one optional connection. This chapter describes how to connect these.

3.3.1 Battery minus connection

Connect the negative of the battery to the M10 bolt on the “BATTERY MINUS” side of the SmartShunt.

3.3.2 Load minus connection

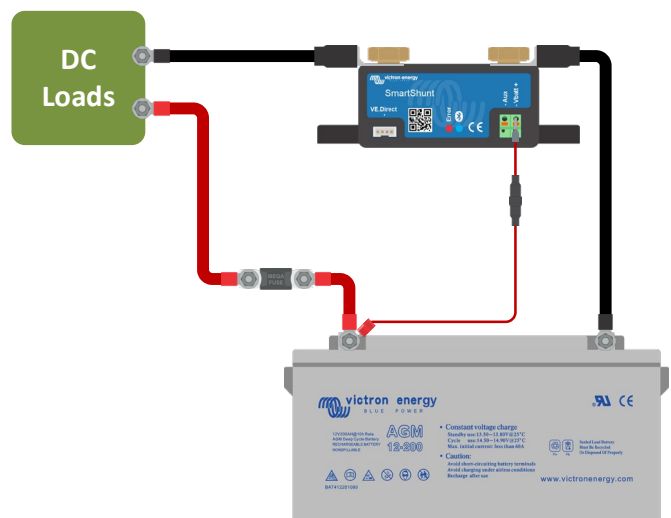
Connect the negative of the electrical system to the M10 bolt on the “LOAD MINUS” side of SmartShunt. Make sure that the negative of all DC loads and charge sources connect “after” the SmartShunt.

3.3.3 Vbatt+ connection

Connect the M8 terminal of the red cable with fuse to the positive terminal of the battery
Connect the ferrule pin of the red cable with fuse to the SmartShunt by pushing the pin into to the “Vbatt+” terminal.

As soon as the fuse is placed in the cable, the SmartShunt Bluetooth will start blinking. The SmartShunt is now active. The next step is to set up with the VictronConnect App. This is explained in chapter 4: “Commissioning”.

In case the Aux port is going to be used for monitoring a second battery, midpoint or temperature, see one of the next 3 paragraphs on how to do this and then go to chapter 4: “Commissioning”.



3.4 Auxiliary electrical connections

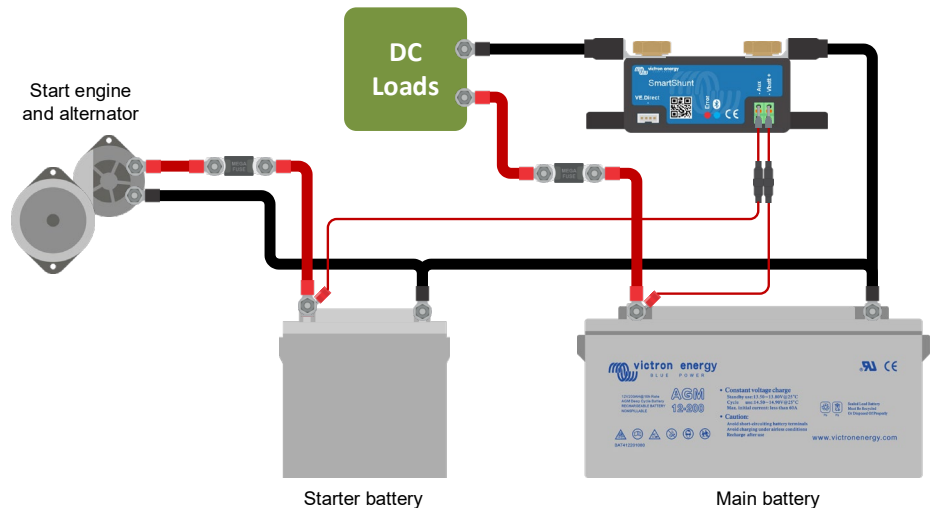
In addition to the comprehensive monitoring of the main battery bank, the SmartShunt can monitor a second parameter. This can be the voltage of a second battery (starter battery), the midpoint deviation of a battery bank or the battery temperature. To allow for this, the SmartShunt is equipped with a second monitoring input, the Aux input. This chapter describes how to wire the Aux input for the three possible configurable options.

3.4.1 Aux connection for monitoring the voltage of a second battery

The Aux connection can be used to monitor the voltage of a second battery, such as a starter battery.

This is how to make the connections:

- Connect the M8 terminal of the red cable with fuse to the positive terminal of the second battery.
- Connect the ferrule pin of the red cable with fuse to the SmartShunt by pushing the pin into to the “Aux” terminal.
- Make sure that the negative of the main battery and the negative of the second battery are common.

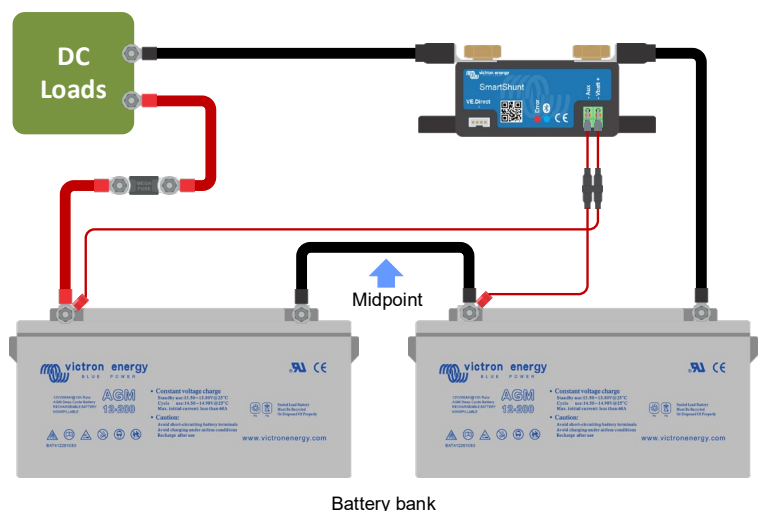


3.4.2 Aux connection for monitoring midpoint of a battery bank

The Aux connection can be used to monitor the midpoint voltage of a battery bank that consist out of multiple batteries that are wired in series to create a 24 or 48V battery bank.

This is how to make the connections:

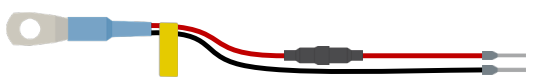
- Connect the M8 terminal of the red cable with fuse to the positive terminal of the midpoint.
- Connect the ferrule pin of the red cable with fuse to the SmartShunt by pushing the pin into to the “Aux” terminal.



For more information on midpoint monitoring see chapter 9. This chapter also provides information and wiring diagrams on how to monitor the midpoint of battery banks that have been wired in series/parallel.

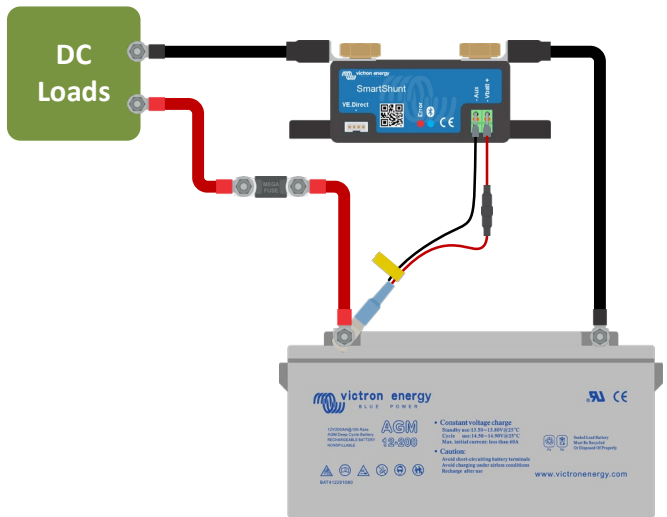
3.4.3 Aux connection for temperature monitoring

The Aux connection can be used to monitor the temperature of a battery. To be able to monitor temperature you will need to purchase the: "Temperature sensor for BMV". This is a cable with integrated temperature sensor with part number ASS000100000. Please be aware that this temperature sensor is a different temperature sensor than the temperature sensors that are used with the Victron inverter/chargers and battery chargers.



This is how to make the connections:

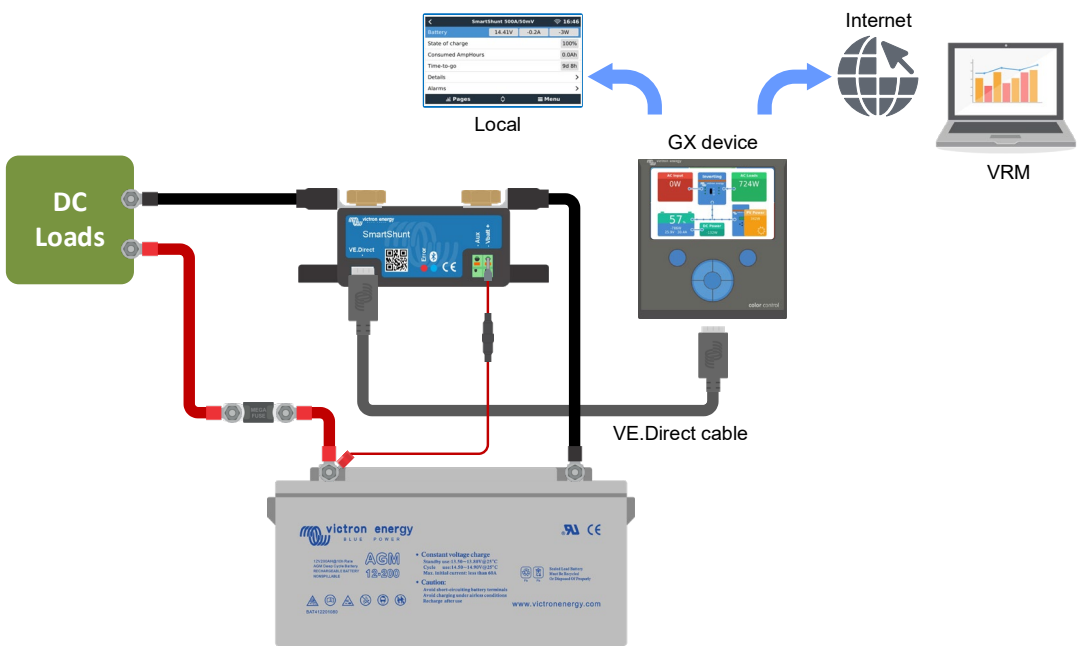
- Connect the M8 cable eye of the temperature sensor to the positive terminal of the battery.
- Connect the ferrule pin of the red cable (with fuse) to the SmartShunt by pushing the pin into to the "Vbatt +" terminal.
- Connect the ferrule pin of the black cable to the SmartShunt by pushing the pin into the "Aux" terminal.



Please note that if the temperature sensor is used, the red power cables that came with the SmartShunt are not needed. The temperature sensor will replace these cables.

3.5 GX device connection

If the system contains a GX device, the SmartShunt can be connected to a GX device via a VE.Direct cable, part number ASS03053xxxx. Once connected, the GX device can be used to read out all monitored battery parameters. For more information see chapter 6.2: "Connecting to a GX device and VRM".



4 COMMISSIONING

Once the electrical connections have been made, the SmartShunt needs to be set up. This is done with the VictronConnect App. This App is needed to set up and to read out the SmartShunt.

4.1 Download and install VictronConnect

To be able to communicate and set up the SmartShunt you will need to use the VictronConnect App. VictronConnect is a free App and is available for Android, iOS, MacOS or Windows. It can be downloaded from the respective App stores. Or alternatively see the “Downloads” section on our website:

<https://www.victronenergy.com/support-and-downloads/software>.

4.2 Place the fuse

If not already done so earlier, place the fuse in Vbatt+ cable. The blue “Bluetooth” light should start blinking.

4.3 Connect to the SmartShunt

Connect to the SmartShunt via VictronConnect. This is done via Bluetooth. It is also possible to connect to the SmartShunt via USB or via VRM (Victron Remote Monitoring). For more information on this see paragraph 6: “Interfacing”.

This is how to connect:

- Open the VictronConnect App.
- Look for the SmartShunt to appear in the device list.
- Click on the SmartShunt.
- Enter the default PIN code which is 000000.
- When successfully connected the “Bluetooth” light stays on.

After entering the default PIN code VictronConnect will ask you to change the PIN code. This is to prevent unauthorized connections in the future. It is recommended that you change the PIN code on first install. This can be done in the product info tab, see paragraph 7.5.4: “Changing PIN code”.

For more information about VictronConnect see the VictronConnect manual:

<https://www.victronenergy.com/live/victronconnect:start>.

4.4 Update firmware

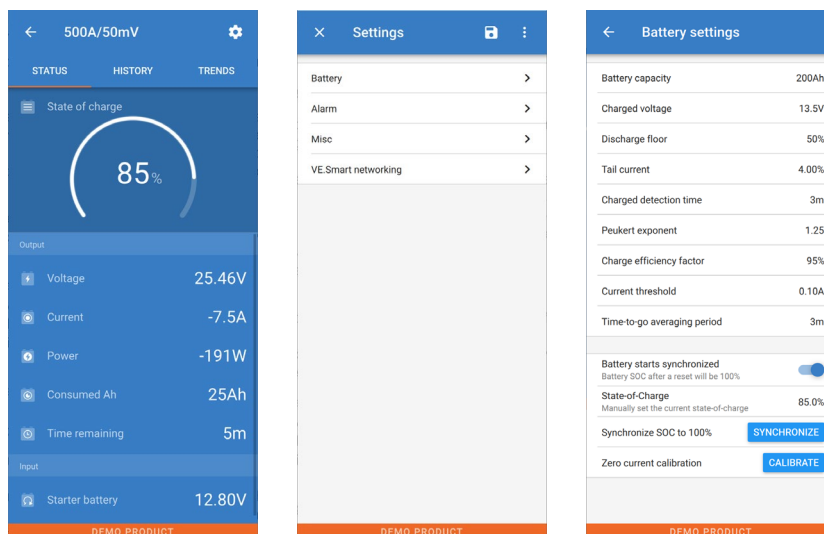
On first connection, VictronConnect can ask you to update the firmware of the Bluetooth interface and/or of the SmartShunt. This should always be done on first install. Without up to date firmware settings cannot be changed and only monitoring is active.

4.5 Make essential settings

The default settings of the SmartShunt are tailored for lead acid batteries (flooded, GEL or AGM batteries).

Please note that in case of lithium batteries or batteries with different chemistries, several additional settings will have to be changed. First make the essential settings as described in this paragraph and then refer to the next paragraph for the special lithium settings. Alternatively contact your battery supplier and refer to paragraph 7.1: “Battery settings”.

To make settings, navigate to the settings menu by clicking the settings ⚙ button, located at the top right-hand side of VictronConnect.



Most settings can be kept by default. But there are a few settings that need to be changed. These are:

- Battery capacity.
- Charged voltage.
- State of charge or start synchronised.
- The functionality of the auxiliary input (if used).

Should you want to find out what all the other settings mean, see paragraph 7.1: “Battery settings”.

4.5.1 Set the battery capacity setting

This setting can be found in VictronConnect > Settings > Battery.

The SmartShunt is by default set to 200Ah. Change this value to match your battery capacity. For more information about battery capacity see paragraph 7.1.1: “Battery capacity”.

4.5.2 Set the charged voltage setting

This setting can be found in VictronConnect > Settings > Battery.

The SmartShunt is by default set to 0.0V. The SmartShunt does not automatically detect the system voltage like the BMV does. You will need to set the “Charged voltage”.

These are the recommended “Charged voltage” values:

Nominal battery voltage	Recommended charged voltage setting
12 V	13.2 V
24 V	26.4 V
36 V	39.6 V
48 V	52.8 V

For more information about the charged voltage setting see paragraph 7.1.2: “Charged voltage”.

4.5.3 State of charge settings

This setting can be found in VictronConnect > Settings > Battery.

When powered up for the first time, the SmartShunt will by default display 100% state of charge. If you want to change this to a different value, then it is possible to manually set the state of charge value. For more information see paragraph 7.1.10: “Battery starts synchronised” and paragraph 7.1.11: “State of charge”.

4.5.4 Set auxiliary input function

This setting can be found in VictronConnect > Settings > Misc.

This setting sets the function of the auxiliary input, being:

- Starter battery - Voltage monitoring of a second battery.
- Midpoint - Measuring the midpoint of a battery bank.
- Temperature - Measuring battery temperature via optional temperature sensor.

4.6 Make Lithium settings (if needed)

LiFePO4 (Lithium Iron Phosphate or LFP) is the most used Li-ion battery chemistry. The factory defaults are in general also applicable to LFP batteries with exception of these settings:

- Charge efficiency.
- Peukert exponent.
- Tail current.

Charge efficiency

The charge efficiency of lithium batteries is much higher than that of lead acid batteries. We recommend setting the charge efficiency at 99%. For more information see paragraph 7.1.7: "Charge efficiency factor".

Peukert exponent

When subjected to high discharge rates, lithium batteries perform much better than lead-acid batteries. Set the Peukert exponent at 1.05, unless the battery supplier advises otherwise.

Tail current

Some lithium battery chargers stop charging when the current drops below a set threshold. The tail current must be set higher in this case.

Discharge floor

This setting is used in "the time to go" calculation and is set at 50% by default. But lithium batteries usually can be discharge significantly deeper than 50%. The discharge floor can be set to a value between 10 and 20%, unless the battery supplier advises otherwise.

Important warning

Lithium batteries are expensive and can be irreparably damaged due to very deep discharge or overcharge. Damage due to deep discharge can occur if small loads slowly discharge the battery when the system is not in use. Some examples of these loads are alarm systems, standby currents of DC loads and back current drain of battery chargers or charge regulators.

A residual discharge current is especially dangerous if the system has been discharged all the way until a low cell voltage shutdown has occurred. At this moment the state of charge can be as low as 1%. The lithium battery will get damaged if any remaining current is drawn from the battery. This damage can be irreversible.

A residual current of 1mA for example can damage a 100Ah battery if the battery has been left in discharged state during more than 40 days ($1\text{mA} \times 24\text{h} \times 40\text{days} = 0.96\text{Ah}$).

The SmartShunt draws <1mA from a 12V battery. The positive supply must therefore be interrupted if a system with Li-ion batteries is left unattended during a period long enough for the current draw by the SmartShunt to completely discharge the battery.

In case of any doubt about possible residual current draw, isolate the battery by opening the battery switch, by pulling the battery fuse(s) or by disconnecting the battery positive when the system is not in use.

5 OPERATION

5.1 How does the SmartShunt work?

The main function of the SmartShunt is to follow and indicate the state of charge of a battery, to be able to know how much charge the battery contains and to prevent an unexpected total discharge.

The SmartShunt continuously measures the current flow in and out of the battery. Integration of this current over time, if it was a fixed current, boils down to multiplying current and time and gives the net amount of Ah added or removed.

For example: a discharge current of 10A for 2 hours will take $10 \times 2 = 20\text{Ah}$ from the battery.

To complicate matters, the effective capacity of a battery depends on the rate of discharge, the Peukert efficiency, and, to a lesser extent, the temperature. And to make things even more complicated: when charging a battery more energy (Ah) has to be 'pumped' into the battery than can be retrieved during the next discharge. In other words: the charge efficiency is less than 100%.

The SmartShunt takes all these factors in consideration when calculating the state of charge.

5.2 Readout overview

The status screen of the SmartShunt displays an overview of important parameters:

- State of charge.
- Battery voltage.
- Battery current.
- Power.
- Aux input reading (starter battery, midpoint or temperature).

State of charge

This is the actual state of charge of the battery in percent and is compensated for both the Peukert efficiency and charge efficiency. The state of charge is the best way to monitor the battery.

A fully charged battery will be indicated by a value of 100.0%. A fully discharged battery will be indicated by a value of 0.0%.

Please note that if the state of charge indicates three dashes: "---" this means that the SmartShunt is in an unsynchronised state. This mainly occurs when the SmartShunt has just been installed or after the SmartShunt has been left unpowered and is powered up again. For more information, see paragraph 5.3: "Synchronising the SmartShunt".

Voltage

This is the terminal voltage of the battery.

Current

This is the actual current flowing in or out of the battery. A negative current indicates that current is taken from the battery. This is the current needed for DC loads. A positive current means that current is going into the battery. This is current coming from charge sources. Keep in mind that the SmartShunt will always indicate the total battery current, being the current traveling into the battery minus the current traveling out of the battery.

Power

The power drawn from or received by the battery.

Consumed Ah

The SmartShunt keeps track of the Amp-hours removed from the battery compensated for the efficiency.

Example: If a current of 12A is drawn from a fully charged battery for a period of 3 hours, the readout will show -36.0Ah ($-12 \times 3 = -36$).

Please note that if the Consumed Ah indicates three dashes: "---" this means that the SmartShunt is in an unsynchronised state. This mainly occurs when the SmartShunt has just been installed or after the SmartShunt has been left unpowered and is powered up again. For more information, see paragraph 5.3: "Synchronising the SmartShunt".

Time remaining

The SmartShunt estimates how long the battery can support the present load. This is the “time-to-go” readout and is the actual time left until the battery is discharged to the set “discharge floor”. The discharge floor is by default set at 50%. For the discharge floor setting see paragraph 7.1.3: “Discharge floor”.

If the load is fluctuating heavily, it is best not to rely on this reading too much, as it is a momentary readout and should be used as a guideline only. We recommend the use of the state of charge readout for accurate battery monitoring.

If the “Time remaining” indicates three dashes: “---” this means that the SmartShunt is in an unsynchronised state. This occurs when the SmartShunt has just been installed or after the SmartShunt has been left unpowered and is powered up again. For more information, see paragraph 5.3: “Synchronising the SmartShunt”.

Input

This is the state of the Aux input. Depending on how the Aux port has been set up, you will see one of these options:

- **Starter battery voltage:** This shows the voltage of a second battery.
- **Battery temperature:** This shows the battery temperature of the main battery when the optional temperature sensor is used.
- **Midpoint voltage deviation:** This shows the deviation in a percentage of the main voltage of the battery bank top section compared to the voltage of the bottom section. For more information on this feature see chapter 9: “Midpoint voltage monitoring”.

5.3 Synchronising the SmartShunt

For a reliable readout, the state of charge, as displayed by the battery monitor, must be synchronised regularly with the true state of charge of the battery. This to prevent drift of the “State of charge” value over time. A synchronisation will reset the state of charge of the battery to 100%.

5.3.1 Automatic synchronisation

Synchronisation is an automatic process and will occur when the battery has been fully charged. The SmartShunt will look at a few parameters to ascertain that the battery has been fully charged. It will consider the battery to be fully charged when the voltage has reached a certain value and the current has dropped below a certain value for a certain amount of time.

These parameters are called:

- **Charged voltage** - the float voltage of battery charger.
- **Tail current** - a percentage of the battery capacity.
- **Charged detection time** - the time in minutes.

As soon as these 3 parameters have been met, the SmartShunt will set the state of charge value to 100%, thus synchronising the state of charge.

Example:

In case of a 12V battery, the SmartShunt will reset the battery’s state of charge to 100% when all these parameters have been met:

- The voltage exceeds 13.2V,
- the charge current is less than 4.0% of the total battery capacity (e.g. 8A for a 200Ah battery) and,
- 3 minutes have passed while both the voltage and current conditions are met.

If the SmartShunt does not perform a regular synchronisation, the state of charge value will start to drift over time. This is due to the small inaccuracies of the SmartShunt and because of the estimation of the Peukert exponent. Once a battery has been fully charged, and the charger has gone to float stage, the battery is full and the SmartShunt will automatically synchronise by setting the state of charge value to 100%.

5.3.2 Manual synchronisation

The SmartShunt can be synchronised manually if required. This can be achieved by pressing the synchronise button in the VictronConnect battery settings.

A manual synchronisation can be needed in situations when the SmartShunt does not synchronise automatically. This is for example needed on first install or after the voltage supply to the SmartShunt has been interrupted.

A manual synchronisation can also be needed when the battery has not been fully charged, or if the SmartShunt has not detected that the battery has been fully charged because the charged voltage, current or time have been set incorrectly. In this case review the settings and make sure the battery regularly receives a full charge.

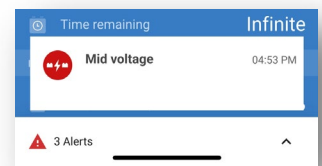
5.4 Alarms

The SmartShunt can raise an alarm on low state of charge, low or high battery voltages readings, low or high temperature readings or a certain midpoint deviation. The alarm will activate when the value reaches a set threshold and will deactivate once when the value clears this threshold.

The alarm is a software alarm. When connecting with the VictronConnect App and an alarm is active, the alarm will show in the App. Or, alternatively, when the SmartShunt is connected to a GX device the alarm will show up on the GX device or on VRM.

In case of VictronConnect an alarm is acknowledged when a button is pressed. And in a GX device an alarm is acknowledged when viewed in notifications. However, the alarm icon is displayed as long as the alarm condition remains.

Please note that unlike the BMV battery monitor range, the SmartShunt does not have an alarm relay or buzzer. In case a relay function is needed, connect the SmartShunt to a GX device and use the relay in the GX device with SmartShunt functionality.



5.5 History data

The SmartShunt stores historic events. These can be used at a later date to evaluate usage patterns and battery health. The history can be accessed in the “History” tab in VictronConnect.

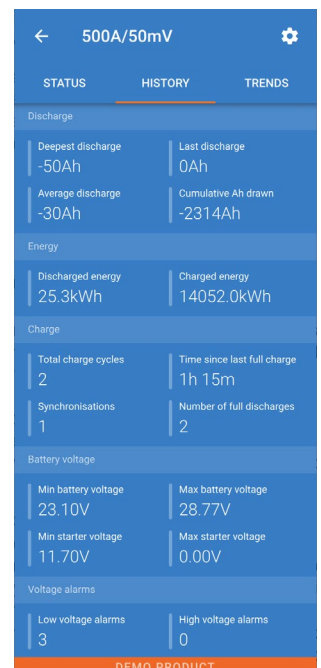
The history data is stored in a non-volatile memory and will not be lost when the power supply to the SmartShunt has been interrupted or when the SmartShunt has been reset to its defaults.

Discharge information in Ah

- **Deepest discharge:** The SmartShunt remembers the deepest discharge and each time the battery is discharged deeper the old value will be overwritten.
- **Last discharge:** The SmartShunt keeps track of the discharge during the current cycle and displays the largest value recorded for Ah consumed since the last synchronisation.
- **Average discharge:** The cumulative Ah drawn divided by the total number of cycles.
- **Cumulative Ah drawn -** The cumulative number of Amp hours drawn from the battery over the lifetime of the SmartShunt.

Energy in kWh

- **Discharged energy:** This is the total amount of energy drawn from the battery in (k)Wh.
- **Charged energy:** The total amount of energy absorbed by the battery in (k)Wh.



Charge

- Total charge cycles: The number of charge cycles over the lifetime of the SmartShunt. A charge cycle is counted every time the state of charge drops below 65% and then rises above 90%.
- Time since last full charge: The number of days since the last full charge.
- Synchronisations: The number of automatic synchronisations. A synchronisation is counted every time the state of charge drops below 90% before a synchronisation occurs.
- Number of full discharges: The number of full discharges. A full discharge is counted when the state of charge reaches 0%.

Battery voltage

- Min battery voltage: The lowest battery voltage.
- Max battery voltage: The highest battery voltage.
- Min starter voltage: The lowest auxiliary battery voltage (if applicable).
- Max starter voltage: The highest auxiliary battery voltage (if applicable).

Voltage alarms

- Low voltage alarms: The number of low voltage alarms.
- High voltage alarms: The number of high voltage alarms.

5.6 Trends

The “Trends” section of VictronConnect enables datalogging, but only while VictronConnect is connected and communicating with the SmartShunt. It will simultaneously log two of the following parameters: voltage, current, power consumed Ah or state of charge.

5.7 LED status codes

The SmartShunt has two LEDs, a Bluetooth status LED (blue), and an error LED (red). These LEDs are both associated with the SmartShunt Bluetooth interface.

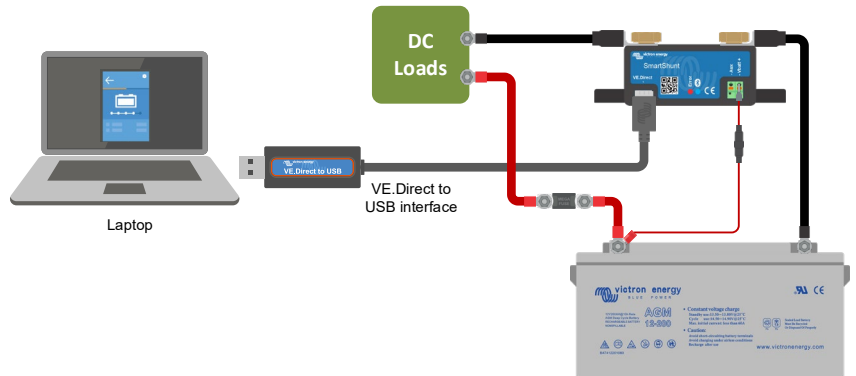
- On power-up, the blue LED will blink, and the red LED will quickly flash. The red LED will give a short flash to confirm that the red LED is functional.
- When the blue LED is blinking the SmartShunt is ready to be connected to VictronConnect.
- When the blue LED is stays on, the SmartShunt has successfully connected to VictronConnect via Bluetooth.
- When the blue and the red LEDs are alternating blinking the SmartShunt firmware is being updated.

6 INTERFACING

The SmartShunt can be connected to other equipment, this chapter describes how this can be done.

6.1 VictronConnect via USB

VictronConnect can not only connect via Bluetooth but it can also connect via USB. A USB connection is essential when connecting to the Windows version of VictronConnect and is optional when the MacOS or Android version is used. Please note that in case of connecting to an Android phone or tablet a “USB on the Go” cable might be needed.



To connect via USB, you will need a “VE.Direct to USB interface”, part number SS030530000. Use this interface to connect the computer to the SmartShunt.

For more information see the VictronConnect manual: <https://www.victronenergy.com/live/victronconnect:start>.

6.2 Connecting to a GX device and VRM

GX devices are Victron devices that provide control and monitoring for all Victron equipment products connected to it. Control and monitoring can be done locally but can also be done remotely via our free remote monitoring website “Victron Remote Monitoring”, the VRM online portal. For an overview of all available GX devices, see:

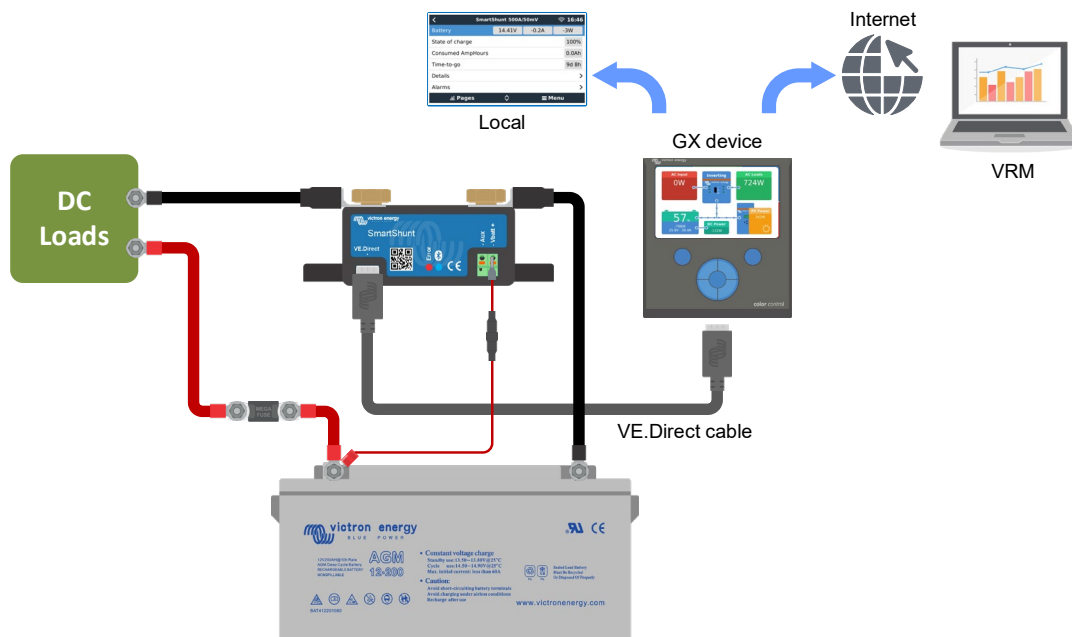
<https://www.victronenergy.com.au/panel-systems-remote-monitoring>.

For a link to the VRM website, see: <https://vrm.victronenergy.com>

SmartShunt 500A/50mV		
Battery	14.41V	-0.2A
State of charge		100%
Consumed AmpHours		0.0Ah
Time-to-go		9d 8h
Details		>
Alarms		>

The SmartShunt can be connected to a GX device with a VE.Direct cable, part number ASS03053xxxx. The VE.Direct cables are available in lengths ranging from 0.3 to 10 meters and are available with straight or right-angle connectors. Instead of using a VE.Direct cable, the SmartShunt can also connect to GX device using the VE.Direct to USB interface.

Once connected, the GX device can be used to read out all monitored battery parameters.

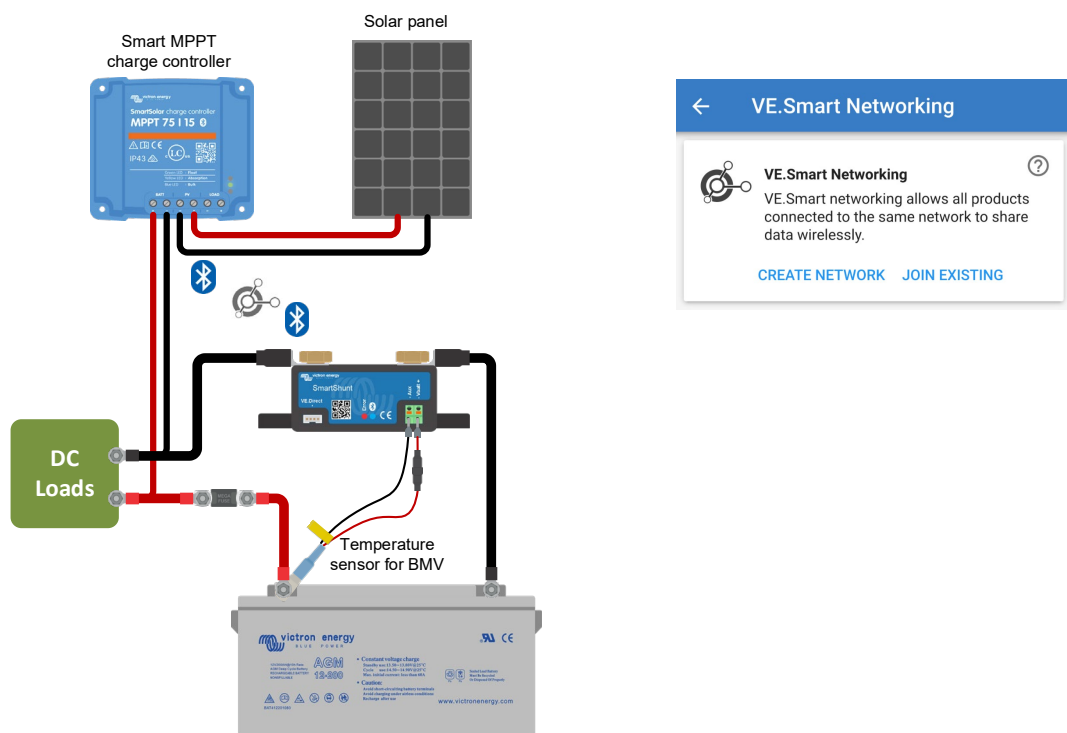


6.3 Connecting to VE.Smart network

The VE.Smart Network is a wireless network which allows a number of Victron products to exchange information via Bluetooth. The SmartShunt can share battery voltage and temperature (optional temperature sensor needed) with the VE.Smart network.

For example: A VE.Smart network containing a SmartSolar with temperature sensor and a MPPT solar charger, the solar charger receives the battery voltage and temperature information from the SmartShunt and uses this information to optimise its charge parameters. This will improve charging-efficiency and prolong battery life.

To make the SmartShunt part of a VE.Smart network, you will have to either create a network or join an existing network. The setting can be found in SmartShunt settings >smart networking. Please see the VE.Smart network manual for more information: <https://www.victronenergy.com/live/victronconnect:ve-smart-networking>



6.4 Custom integration (programming required)

The VE.Direct communications port can be used to read data and change settings. The VE.Direct protocol is extremely simple to implement. Transmitting data to the SmartShunt is not necessary for simple applications: the SmartShunt automatically sends all readings every second.

All the details are explained in this document:

https://www.victronenergy.com/upload/documents/Whitepaper-Data-communication-with-Victron-Energy-products_EN.pdf

7 ALL FEATURES AND SETTINGS

7.1 Battery settings

These settings can be used to fine-tune the SmartShunt. Please be careful when you change these settings as a change will have an effect on the SmartShunt state of charge calculations.

7.1.1 Battery capacity

This parameter is used to tell the SmartShunt how big the battery is. This setting should already have been done during the initially installation of the SmartShunt.

The setting is the battery capacity in Amp hours (Ah). For more information see chapter 8: “Battery capacity and Peukert exponent”.

Default setting	Range	Step size
200Ah	1 – 9999Ah	1Ah

7.1.2 Charged voltage

The battery voltage must be above this voltage level to consider the battery as fully charged. As soon as the SmartShunt detects that the voltage of the battery has reached the “charged voltage” and the current has dropped below the “tail current” for a certain amount of time, the SmartShunt will set the state of charge to 100%.

Default setting	Range	Step size
0V	0 - 95V	0.1V

The “charged voltage” parameter should be set to 0.2V or 0.3V below the float voltage of the charger. Or alternatively, see the table below for the recommended setting.

Recommended settings for lead acid batteries:

Nominal battery voltage	charged voltage setting
12V	13.2V
24V	26.4V
36V	39.6V
48V	52.8V

7.1.3 Discharge floor

The “Discharge floor” parameter is used in the time remaining calculation. The time remaining is the time it takes until the set “Discharge floor” has been reached.

Default setting	Range	Step size
50%	0 - 99%	1%

7.1.4 Tail current

The battery is considered as “fully charged” once the charge current has dropped to less than the set “Tail current” parameter. The “Tail current” parameter is expressed as a percentage of the battery capacity.

Remark: Some battery chargers stop charging when the current drops below a set threshold. In these cases, the tail current must be set higher than this threshold.

As soon as the SmartShunt detects that the voltage of the battery has reached the set “Charged voltage” parameter and the current has dropped below the “Tail current” for a certain amount of time, the SmartShunt will set the state of charge to 100%.

Default setting	Range	Step size
4.00%	0.50 – 10.00%	0.1%

7.1.5 Charged detection time

This is the time the “Charged voltage” and “Tail current” must be met in order to consider the battery fully charged.

Default setting	Range	Step size
3 minutes	0 – 100 minutes	1 minute

7.1.6 Peukert exponent

When unknown it is recommended to keep this value at 1.25 (default) for lead acid batteries and change to 1.05 for Li-ion batteries. A value of 1.00 disables the Peukert compensation. For more information see chapter 8: “Battery capacity and Peukert exponent”

Default setting	Range	Step size
1.25	1.00 – 1.50	0.01

7.1.7 Charge efficiency factor

The “Charge Efficiency Factor” compensates for the capacity (Ah) losses during charging. A setting of 100% means that there are no losses.

Default setting	Range	Step size
95%	50 – 100%	1%

The charge efficiency of a lead acid battery is almost 100% as long as no gas generation takes place. Gassing means that part of the charge current is not transformed into chemical energy, which is stored in the plates of the battery, but is used to decompose water into oxygen and hydrogen gas (highly explosive!). The energy stored in the plates can be retrieved during the next discharge, whereas the energy used to decompose water is lost. Gassing can easily be observed in flooded batteries. Please note that the ‘oxygen only’ end of the charge phase of sealed (VRLA) gel and AGM batteries also results in a reduced charge efficiency. A charge efficiency of 95% means that 10Ah must be transferred to the battery to get 9.5Ah actually stored in the battery. The charge efficiency of a battery depends on battery type, age and usage. The SmartShunt takes this phenomenon into account with the charge efficiency factor.

7.1.8 Current threshold

When the current measured falls below the “Current threshold” value it will be considered zero. The “Current threshold” is used to cancel out very small currents that can negatively affect the long-term state of charge readout in noisy environments. For example, if the actual long-term current is 0.0A and, due to injected noise or small offsets, the battery monitor measures -0.05A the SmartShunt might, in the long term, incorrectly indicate that the battery is empty or will need to be recharged. When the current threshold in this example is set to 0.1A, the SmartShunt calculates with 0.0A so that errors are eliminated.

A value of 0.0A disables this function.

Default setting	Range	Step size
0.10A	0.00 – 2.00A	0.01A

7.1.9 Time-to-go averaging period

The time-to-go averaging period specifies the time window (in minutes) that the moving averaging filter works. A value of 0 disables the filter and gives an instantaneous (real-time) readout. However, the displayed “Time remaining” value may fluctuate heavily. Selecting the longest time, 12 minutes, will ensure that only long-term load fluctuations are included in the “Time remaining” calculations.

Default setting	Range	Step size
3 minutes	0 – 12 minutes	1 minute

7.1.10 Battery starts synchronised

The battery state of charge will become 100% after the SmartShunt is powered up. When ON, the SmartShunt will consider itself synchronised when powered-up, resulting in a state of charge of 100%. If set to OFF, the SmartShunt will consider it unsynchronised when powered-up, resulting in a state of charge that is unknown until the first actual synchronisation.

Default setting	Range
ON	ON/OFF

Please be aware that situations can occur where special consideration is needed when setting this feature to ON. One of these situations occurs in systems where the battery is often disconnected from the SmartShunt, for example on a boat. If you leave the boat and disconnect the DC system via the main DC breaker and at that moment the batteries were, for example, 75% charged. On return to the boat the DC system is reconnected and the SmartShunt will now indicate 100%. This will give a false impression that the batteries are full, while in reality they are partially discharged.

There are two ways of solving this, one is to not disconnect the SmartShunt when the batteries are partially discharged or alternatively turn the “Battery starts synchronised” feature off. Now when the SmartShunt is reconnected the state of charge will display “--” and will not show 100% until the batteries have been fully charged. Please note that leaving a lead acid battery in a partially discharged state for a length of time will cause battery damage.

7.1.11 State of charge

With this setting you can manually set the state of charge value. This setting is only active after the SmartShunt has, at least once, been synchronised. Either automatically or manually.

Default setting	Range	Step size
--%	0.0 - 100%	0.1%

7.1.12 Synchronise SoC to 100%

This option can be used to manually synchronise the SmartShunt. Press the “Synchronise” button to synchronise the SmartShunt to 100%. For more information, see paragraph 5.3.2: “Manual synchronisation”.

7.1.13 Zero current calibration

If the SmartShunt reads a non-zero current even when there is no load and the battery is not being charged, this option can be used to calibrate the zero reading.

Ensure that there really is no current flowing into or out of the battery. Do this by disconnecting the cable between the load and the SmartShunt and press the “calibrate button” to perform a zero-current calibration.

7.2 Alarm settings

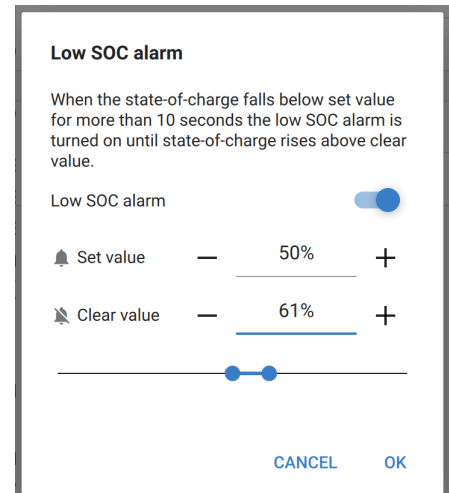
Please note that the SmartShunt is not equipped with a buzzer or an alarm relay like the BMV series is. The generated alarms are only visible on the VictronConnect App while connected to the SmartShunt or are used to send an alarm signal to a GX device.

7.2.1 SoC alarm setting

When enabled, the alarm will activate when the state of charge falls below the set value for more than 10 seconds. The alarm will deactivate when the state of charge rises above the clear value

Default setting	Range
Disabled	Disabled / enabled

When enabled	Default setting		
Set value	1%	0 – 100%	1%
Clear value	2%	0 – 100%	1%



7.2.2 Low voltage alarm

When enabled, the alarm will activate when battery voltage falls below the set value for more than 10 seconds. The alarm will deactivate when the battery voltage rises above the clear value.

Default setting	Range
Disabled	Disabled / Enabled

When enabled	Default setting		
Set value	1.0V	0 - 95.0V	0.1V
Clear value	1.1V	0 - 95.0V	0.1V

7.2.3 High voltage alarm

When enabled, the alarm will activate when battery voltage rises above the set value for more than 10 seconds. The alarm will deactivate when the battery voltage drops below the clear value.

Default setting	Range
Disabled	Disabled / enabled

When enabled	Default setting		
Set value	1.1V	0 - 95.0V	0.1V
Clear value	1.0V	0 - 95.0V	0.1V

7.2.4 Low starter voltage alarm

This setting is only available if the Aux input has been set to “Starter battery”.

When enabled, the alarm will activate when starter battery voltage falls below the set value for more than 10 seconds. The alarm will deactivate when the starter battery voltage rises above the clear value.

Default setting	Range
Disabled	Disabled / Enabled

When enabled	Default setting		
Set value	1.0V	0 - 95.0V	0.1V
Clear value	1.1V	0 - 95.0V	0.1V

7.2.5 High starter voltage alarm

This setting is only available if the Aux input has been set to “Starter battery”.
When enabled, the alarm will activate when starter battery voltage rises above the set value for more than 10 seconds. The alarm will deactivate when the starter battery voltage drops below the clear value.

Default setting	Range
Disabled	Disabled / enabled

When enabled	Default setting		
Set value	1.1V	0 - 95.0V	0.1V
Clear value	1.0V	0 - 95.0V	0.1V

7.2.6 Midpoint deviation alarm

This setting is only available if the Aux input has been set to “Midpoint”.
When enabled, the alarm will activate when the midpoint voltage deviation rises above the set value for more than 10 seconds. The alarm will deactivate when the midpoint voltage deviation drops below the clear value.

Default setting	Range
Disabled	Disabled / enabled

When enabled	Default setting		
Set value	2%	0 – 99%	1%
Clear value	1%	0 – 99%	1%

7.2.7 High temperature alarm

This setting is only available if the Aux input has been set to “Temperature”.
When enabled, the alarm will activate when the battery temperature rises above the set value for more than 10 seconds. The alarm will deactivate when the battery temperature drops below the clear value.

Default setting	Range
Disabled	Disabled / enabled

When enabled	Default setting	Range	Step size
Set value	2°C (2°F)	-99 - +99°C (-146 - +210°F)	1°C (1°F)
Clear value	1°C (2°F)	-99 - +99°C (-146 - +210°F)	1°C (1°F)

7.2.8 Low temperature alarm

This setting is only available if the Aux input has been set to “Temperature”.
When enabled, the alarm will activate when the battery temperature falls below the set value for more than 10 seconds. The alarm will deactivate when the battery temperature rises above the clear value.

Default setting	Range
Disabled	Disabled / enabled

When enabled	Default setting	Range	Step size
Set value	2°C (2°F)	-99 - +99°C (-146 - +210°F)	1°C (1°F)
Clear value	1°C (2°F)	-99 - +99°C (-146 - +210°F)	1°C (1°F)

7.3 Miscellaneous settings

7.3.1 Aux input

This setting sets the function of the auxiliary input. Select between: Starter battery, Midpoint or Temperature

Default setting	Range
Starter battery	Starter battery / Midpoint / Temperature

7.3.2 Temperature coefficient

This setting is only available after the Aux input setting has been set to “Temperature”.

The available battery capacity decreases with temperature. Typically, the reduction, compared to the capacity at 20°C, is 18% at 0°C and 40% at -20°C.

The temperature coefficient is the percentage the battery capacity changes with temperature when temperature decreases to less than 20°C (above 20°C the influence of temperature on capacity is relatively low and is not taken into account). The unit of this value is “%cap/°C” or percent capacity per degree Celsius. The typical value (below 20°C) is 1%cap/°C for lead acid batteries, and 0.5%cap/°C for LFP batteries.

Default setting	Range	Step size
0.0%cap/°C	0 - 2.0%cap/°C	0.1%cap/°C
0.0%cap/°F	0 - 3.6%cap/°F	0.1%cap/°F

7.4 Temperature unit setting

This setting can be found in the settings of the VictronConnect App itself. Leave the SmartShunt by clicking on the ← arrow. This will bring you back to the device list of the VictronConnect App. Click on the menu ☰ symbol and then click on the settings ⚙ symbol. Here you can select the “Display temperature unit”. Selecting Celsius will display the temperature in °C and selecting Fahrenheit will display the temperature in °F.

Default setting	Range
Celsius	Celsius / Fahrenheit

7.5 Product settings

To access these settings, click on the setting symbol ⚙ and then on the menu symbol ☰.

7.5.1 Reset to defaults

To set all settings back to default select “Reset to defaults”. Please note that this only resets all settings to their default values, the history is not reset.

7.5.2 Custom name

In the SmartShunt product information screen, you can change the name of the SmartShunt. By default, it is called by its product name. But a more applicable name might be needed, especially if you are using multiple SmartShunts in close proximity of each other it might become confusing with which SmartShunt you are communicating. You can, for example, add identification numbers to their name, like: SmartShunt A, SmartShunt B and so on.

7.5.3 Firmware

Both the SmartShunt and its Bluetooth interface run on firmware. Occasionally a newer firmware version is available. New firmware is released to either add features or to fix a bug. The Product overview of both the SmartShunt and its Bluetooth interface items both display the firmware number. It also indicates whether the firmware the latest version and there is a button you can press to update the firmware.

On first install it is always recommended to update to the most recent firmware (if available). Whenever you connect to the SmartShunt with a “up to date” version of VictronConnect, it will check firmware and it will ask you to update firmware if there is a newer version available. VictronConnect includes the actual firmware files, so an internet connection is not needed to update to the most recent firmware, as long as you are using the most up to date version of VictronConnect.

A firmware update is not mandatory. If you choose not to update the firmware, you can only read out the SmartShunt, but you cannot change settings. Settings can only be changed if the SmartShunt runs on the most recent firmware.

7.5.4 Changing PIN code

In the SmartShunt Bluetooth interface product info the PIN code can be changed.

7.5.5 Disabling and re-enabling Bluetooth

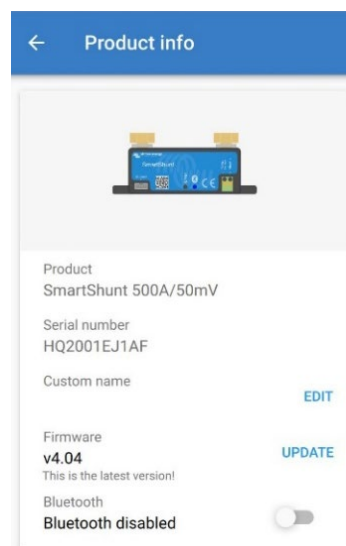
Bluetooth is enabled by default in the SmartShunt. If Bluetooth is not wanted it can be disabled. This is done by sliding the Bluetooth switch in the product settings.

A reason to disable Bluetooth could be for security reasons, or to eliminate unwanted transmission from the SmartShunt.

As soon as Bluetooth has been disabled the only way to communicate with the SmartShunt is via its VE.Direct port.

This is done via the USB to VE.Direct interface or via a GX device connected to the SmartShunt via a VE.Direct cable or the USB to VE.Direct interface. For more info see chapter 6: “Interfacing”.

Bluetooth can be re-enabled by connecting to the SmartShunt with VictronConnect via the VE.Direct – USB interface. Once connected you can navigate to the product settings menu and re-enable Bluetooth.




7.5.6 Serial number


The serial number can be found in the SmartShunt product info or on the product information sticker on the SmartShunt.

7.6 Saving, loading and sharing settings

In the settings menu you can find the following 3 symbols:

 **Save settings to file** - This will save settings for reference or for later use.

 **Load settings from file** – This will load earlier saved settings.

 **Share settings file** – This allows you to share the settings file via email, message, airdrop and so on. The available sharing options depend on the platform used.

For more information on these features, see the VictronConnect manual:

<https://www.victronenergy.com/live/victronconnect:start>

7.7 Reset history

This setting can be found at to bottom of the history tab. Please be aware that history data is an important tool to keep track of battery performance and is also needed to diagnose possible battery problems. Do not clear the history unless the battery bank is replaced.

7.8 Reset PIN code

This setting can be found in the settings of the VictronConnect App itself. Leave the SmartShunt by clicking on the ← arrow. This will bring you back to the device list of the VictronConnect App. Now, click on the menu ⋮ symbol next to the SmartShunt listing.

A new window will open which allows you to reset the PIN code back to its default: 000000. To be able to reset the PIN code you will need the enter the SmartShunt unique PUK code. The PUK code is printed on the product information sticker on the SmartShunt.

8 BATTERY CAPACITY AND PEUKERT EXPONENT

Battery capacity is expressed in Amp hour (Ah) and indicates how much current a battery can supply over time. For example, if a 100Ah battery is being discharged with a constant current of 5A, the battery will be totally discharged in 20 hours.

The rate at which a battery is being discharged is expressed as the C rating. The C rating indicates how many hours a battery with a given capacity will last. 1C is the 1h rate and means that the discharge current will discharge the entire battery in 1 hour. For a battery with a capacity of 100Ah, this equates to a discharge current of 100A. A 5C rate for this battery would be 500A for 12 minutes (1/5 hours), and a C5 rate would be 20A for 5 hours.

The capacity of a battery depends on the rate of discharge. The faster the rate of discharge, the less capacity will be available. The relation between slow or fast discharge can be calculated by Peukert's law and is expressed by the Peukert exponent. Some battery chemistries suffer more from this phenomenon than others. Lead acid are more affected by this than lithium batteries are. The SmartShunt takes this phenomenon into account with Peukert exponent.

Discharge rate example

A lead acid battery is rated at 100Ah at C20, this means that this battery can deliver a total current of 100A over 20 hours at a rate of 5A per hour. $C20 = 100Ah (5 \times 20 = 100)$.
When the same 100Ah battery is discharged completely in two hours, its capacity is greatly reduced. Because of the higher rate of discharge, it may only give $C2 = 56Ah$.

Peukert's formula

The value which can be adjusted in Peukert's formula is the exponent n: see the formula below. In the SmartShunt the Peukert exponent can be adjusted from 1.00 to 1.50. The higher the Peukert exponent the faster the effective capacity 'shrinks' with increasing discharge rate. An ideal (theoretical) battery has a Peukert exponent of 1.00 and has a fixed capacity regardless of the size of the discharge current. The default setting in the SmartShunt for the Peukert exponent is 1.25. This is an acceptable average value for most lead acid batteries.

Peukert's equation is stated below:

$$Cp = I^n \times t \quad \text{where Peukert's exponent n is:} \quad n = \frac{\log t2 - \log t1}{\log I1 - \log I2}$$

To calculate the Peukert exponent you will need two rated battery capacities. This is usually the 20h discharge rate and the 5h rate, but can also be the 10h and 5h, or the 20h and the 10h rate. Ideally use a low discharge rating together with a substantially higher rating. Battery capacity ratings can be found in the battery datasheet. If in doubt contact your battery supplier.

Calculation example using the 5h and the 20h rating

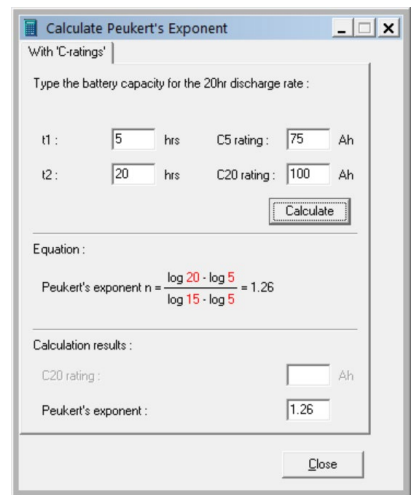
The C5 rating is 75Ah. The t_1 rating is 5h and I_1 is calculated: $I_1 = \frac{75Ah}{5h} = 25A$

The C20 rating is 100Ah. The t_2 rating is 20h and I_2 is calculated: $I_2 = \frac{100Ah}{20h} = 5A$

The Peukert exponent is: $n = \frac{\log 20 - \log 5}{\log 15 - \log 5} = 1.26$

A Peukert calculator is available at <http://www.victronenergy.com/support-and-downloadssoftware/>

Please note that the Peukert exponent is no more than a rough approximation of reality, and that at very high currents, batteries will give even less capacity than predicted from a fixed exponent. We recommend not to change the default value in the SmartShunt, except in case of lithium batteries.



9 MIDPOINT VOLTAGE MONITORING

One bad cell or one bad battery can destroy a large, expensive battery bank.

A short circuit or high internal leakage current in one cell for example will result in undercharge of that cell and overcharge of the other cells. Similarly, one bad battery in a 24V or 48V bank of several series/parallel connected 12V batteries can destroy the whole bank.

Moreover, when new cells or batteries are connected in series, they should all have the same initial state of charge. Small differences will be ironed out during absorption or equalize charging, but large differences will result in damage during charging due to excessive gassing of the cells or batteries with the highest initial state of charge.

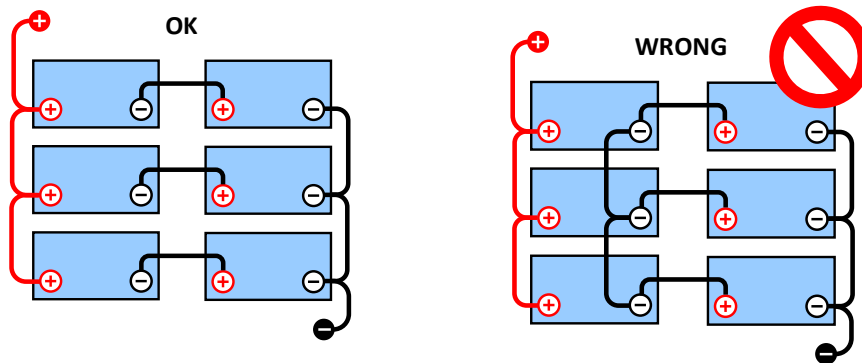
A timely alarm can be generated by monitoring the midpoint of the battery bank (i.e. by splitting the string voltage in half and comparing the two string voltage halves).

The midpoint deviation will be small when the battery bank is at rest, and will increase:

- At the end of the bulk phase during charging (the voltage of well charged cells will increase rapidly while lagging cells still need more charging).
- When discharging the battery bank until the voltage of the weakest cells starts to decrease rapidly.
- At high charge and discharge rates.

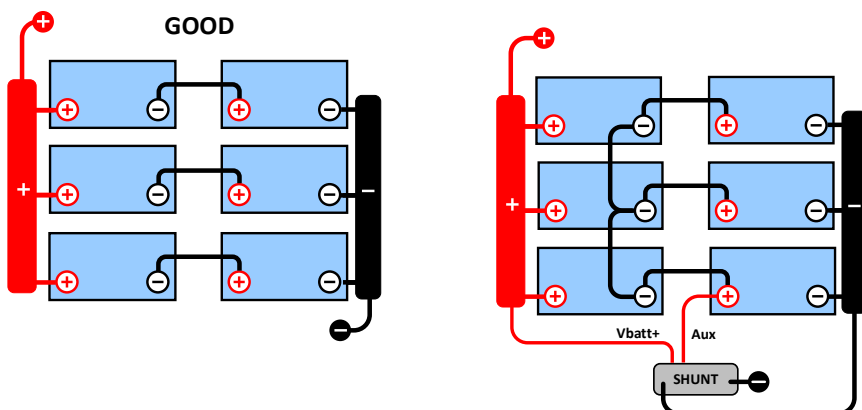
9.1 Battery bank and midpoint wiring diagrams

9.1.1 Connecting and monitoring midpoint in a 24V battery bank



Due to the voltage drop over the positive and the negative cables the midpoint voltage are not identical.

In an unmonitored battery bank the midpoints should not be interconnected, one bad battery bank can go

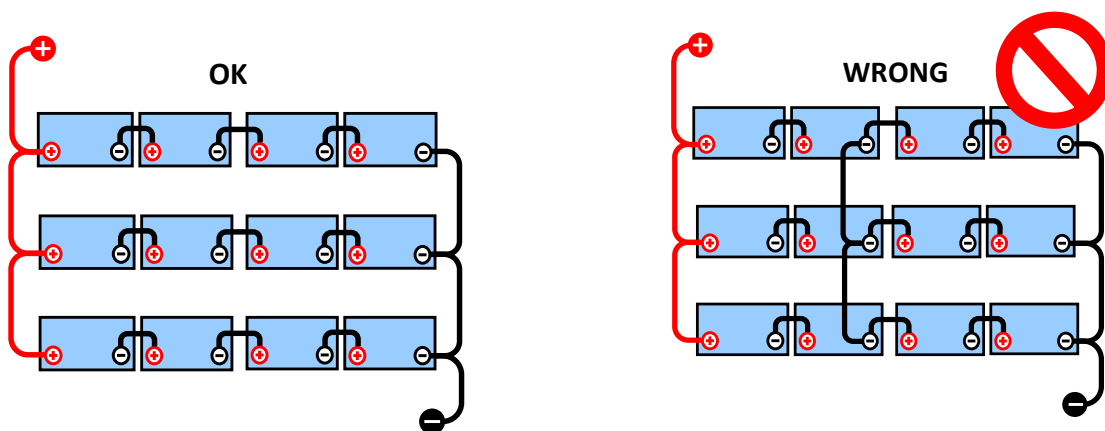


unnoticed and could damage all other batteries.

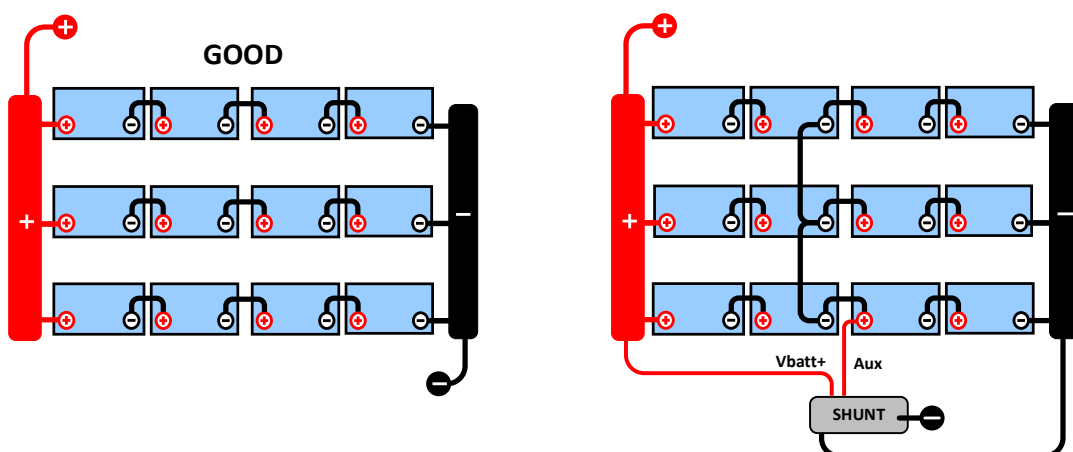
Always use busbars when applying midpoint voltage monitoring. The cables to the busbars must all have the same length.

Midpoints can only be connected if corrective action is taken in case of an alarm.

9.1.2 Connecting and monitoring midpoint in a 48V battery bank



Due to the voltage drop over the positive and the negative cables the midpoint voltage are not identical.



In an unmonitored battery bank the midpoints should not be interconnected, one bad battery bank can go unnoticed and could damage all other batteries.

Always use busbars when applying midpoint voltage monitoring. The cables to the busbars must all have the same length.

Midpoints can only be connected if corrective action is taken in case of an alarm.

9.2 Midpoint deviation calculation

The SmartShunt measures the midpoint and then calculates the deviation in a percentage from what the midpoint should be.

$$\text{Deviation} = \frac{100 \times (\text{top string voltage} - \text{bottom string voltage})}{\text{battery voltage}}$$

$$d = \frac{100 \times (V_t - V_b)}{V}$$

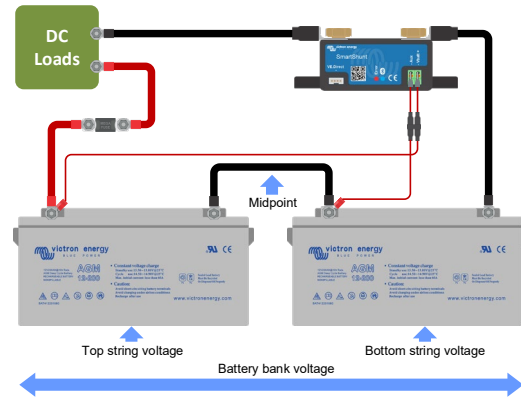
where:

d is the deviation in %

V_t is the top string voltage

V_b is the bottom string voltage

V is the voltage of the battery ($V = V_t + V_b$)



9.3 Setting the alarm level

In case of VRLA (gel or AGM) batteries, gassing due to overcharging will dry out the electrolyte, increasing internal resistance and ultimately resulting in irreversible damage. Flat plate VRLA batteries start to lose water when the charge voltage approaches 15V (12V battery). Including a safety margin, the midpoint deviation should therefore remain below 2% during charging. When, for example, charging a 24V battery bank at 28.8V absorption voltage, a midpoint deviation of 2% would result in:

$$V_t = \frac{V \times d}{100} + V_b = \frac{V \times d}{100} + V - V_t = V \times \frac{1 + \frac{d}{100}}{2}$$

Therefore:

$$V_t = V \times \frac{1 + \frac{d}{100}}{2} \quad \text{and} \quad V_b = V \times \frac{1 - \frac{d}{100}}{2}$$

$$V_t = 28.8 \times \frac{1 + \frac{2}{100}}{2} \approx 14.7 \quad \text{and} \quad V_b = 28.8 \times \frac{1 - \frac{2}{100}}{2} \approx 14.1$$

Obviously, a midpoint deviation of more than 2% will result in overcharging the top battery and undercharging the bottom battery. These are two good reasons to set the midpoint alarm level at not more than $d = 2\%$.

This same percentage can be applied to a 12V battery bank with a 6V midpoint.

In case of a 48V battery bank consisting of 12V series connected batteries, the % influence of one battery on the midpoint is reduced by half. The midpoint alarm level can therefore be set at a lower level.

9.4 Alarm delay

In order to prevent the occurrence of alarms due to short term deviations that will not damage a battery, the deviation must exceed the set value during 5 minutes before the alarm is triggered. A deviation exceeding the set value by a factor of two or more will trigger the alarm after 10 seconds.

9.5 What to do in case of an alarm during charging

In case of a new battery bank

The alarm is usually due to differences in the initial state of charge of the individual battery. If the deviation increases to more than 3% you should stop charging the battery bank and charge the individual batteries or cells separately. Another way is to substantially reduce the charge current to the battery bank, this will allow the batteries to equalize over time.

If the problem persists after several charge-discharge cycles do the following:

- In case of series-parallel connection disconnect the midpoint, parallel connection wiring and measure the individual midpoint voltages during absorption charging to isolate batteries or cells which need additional charging.
- Charge and then test all batteries or cells individually.

In case of an older battery bank which has performed well in the past

The problem may be due to systematic undercharge. In this case more frequent charging or an equalization charge is needed. Please note that only flooded deep cycle flat plate or OPzS batteries can be equalized. Better and regular charging will solve the problem.

In case there are one or more faulty cells:

- In case of series-parallel connection disconnect the midpoint, parallel connection wiring and measure the individual midpoint voltages during absorption charging to isolate batteries or cells which need additional charging.
- Charge and then test all batteries or cells individually.

9.6 What to do in case of an alarm during discharging

The individual batteries or cells of a battery bank are not identical, and when fully discharging a battery bank, the voltage of some cells will start dropping earlier than others. The midpoint alarm will therefore nearly always trip at the end of a deep discharge.

If the midpoint alarm trips much earlier (and does not trip during charging), some batteries or cells may have lost capacity or may have developed a higher internal resistance than others. The battery bank may have reached the end of service life, or one or more cells or batteries have developed a fault:

- In case of series-parallel connection, disconnect the midpoint parallel connection wiring and measure the individual midpoint voltages during discharging to isolate faulty batteries or cells.
- Charge and then test all batteries or cells individually.

9.7 The Battery Balancer

A consideration can be made to add a Battery Balancer to the system. A Battery Balancer will equalize the state of charge of two series connected 12V batteries, or of several parallel strings of series connected batteries.

When the charge voltage of a 24V battery system increases to more than 27.3V, the Battery Balancer will turn on and compare the voltage over the two series connected batteries. The Battery Balancer will draw a current of up to 0.7A from the battery (or parallel connected batteries) with the highest voltage. The resulting charge current differential will ensure that all batteries will converge to the same state of charge. If needed, several balancers can be paralleled.

A 48V battery bank can be balanced with three Battery Balancers, one between each battery.

For more information see the Battery Balancer datasheet located on the Battery Balancer product page:

<https://www.victronenergy.com.au/batteries/battery-balancer>

10 TROUBLESHOOTING

10.1 Functionality issues

10.1.1 Unit is dead, no lights on

On first connection the blue LED on the SmartShunt should be blinking. If this is not the case check the fuse in the Vbatt+ cable and also check the cable itself and its terminals.

Please note that the blue LED on the SmartShunt can also be off when Bluetooth has been disabled. The SmartShunt appears to be dead. See paragraph 10.2.1: “Cannot connect via Bluetooth” for instructions on how to fix this.

In case the temperature sensor is used:

- The temperature sensor M8 cable lug must be connected to the positive pole of the battery bank (the red wire of the sensor doubles as the power supply wire).
- Check the fuse in the positive (red) cable.
- Make sure the correct temperature sensor is used. The MultiPlus temperature sensor does not work with the SmartShunt.
- Make sure the temperature sensor has been connected the right way. The red cable should connect to the SmartShunt Vbatt+ terminal and the black wire to the Aux terminal.

See paragraph 3.4.3: “Aux connection for temperature monitoring” for connection instructions and a wiring diagram.

10.1.2 Auxiliary port not working

Check the fuse in the Aux cable and also check the cable itself and its terminals.

In case the starter battery is being used: make sure that both battery banks have a common negative. See paragraph 3.4.1: “Aux connection for monitoring the voltage of a second battery” for connection instructions and a wiring diagram.

In case the temperature sensor is used:

- The temperature sensor M8 cable lug must be connected to the positive pole of the battery bank (the red wire of the sensor doubles as the power supply wire).
- Check the fuse in the positive (red) cable.
- Make sure the correct temperature sensor is used. The MultiPlus temperature sensor does not work with the SmartShunt.
- Make sure the temperature sensor has been connected the right way. The red cable should connect to the SmartShunt Vbatt+ terminal and the black wire to the Aux terminal.

See paragraph 3.4.3: “Aux connection for temperature monitoring” for connection instructions and a wiring diagram.

10.1.3 Can't change settings

Settings can only be changed if the SmartShunt is running on the most up to date firmware. Update to the latest firmware with the VictronConnect App.

10.2 Connection issues

10.2.1 Cannot connect via Bluetooth

It is highly unlikely that the SmartShunt Bluetooth interface is faulty. Some pointers to try before seeking support:

- Is the SmartShunt powered up? The blue light should be blinking. If the blue light is not blinking see paragraph 10.1.1: “Unit is dead, no lights on”.

- Is another phone or tablet already connected to the SmartShunt? This is indicated by a blue light that stays on. Only one phone or tablet can be connected to a SmartShunt at any given time. Make sure no other devices are connected and try again.
- Is the VictronConnect App up to date?
- Are you close enough to the SmartShunt? In open space the maximum distance is about 20 meters.
- Are you using the Windows version of the VictronConnect App? This version cannot do Bluetooth. Use Android, iOS or MacOS instead (or use the USB - VE.Direct interface).
- Has Bluetooth been turned off in the settings? See paragraph 7.5.5: “Disabling and re-enabling Bluetooth”.

For connection issues, see the troubleshooting section of the VictronConnect manual:
<https://www.victronenergy.com/live/victronconnect:start>

10.2.2 PIN code lost

If you have lost the PIN code you will need to reset the PIN code to its default PIN code, see paragraph 7.5.4: “Changing PIN code”.

More information and specific instructions can be found in the VictronConnect manual:
<https://www.victronenergy.com/live/victronconnect:start>

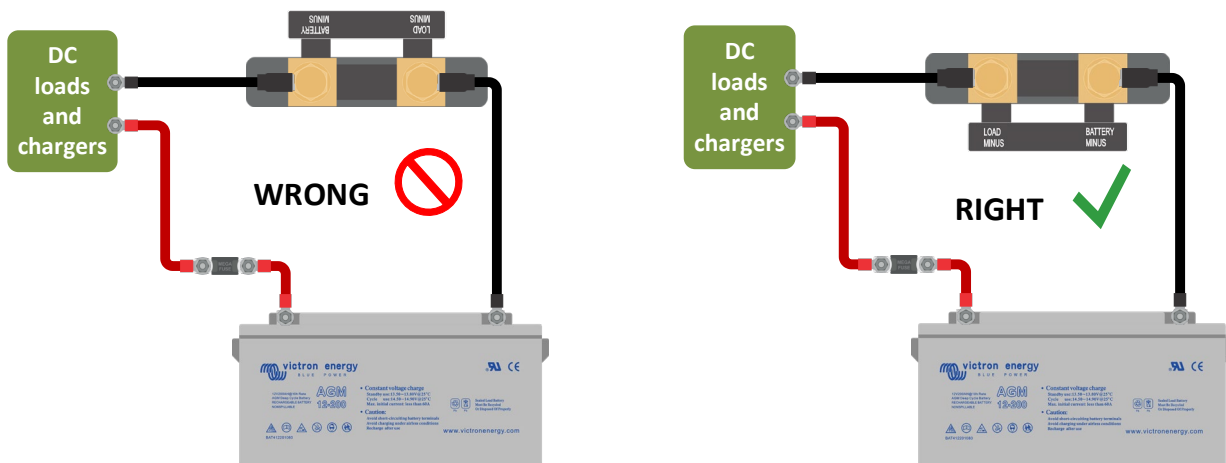
10.3 Incorrect readings

10.3.1 Charge and discharge current are inverted

The charge current should be shown as a positive value. For example: 1.45A.

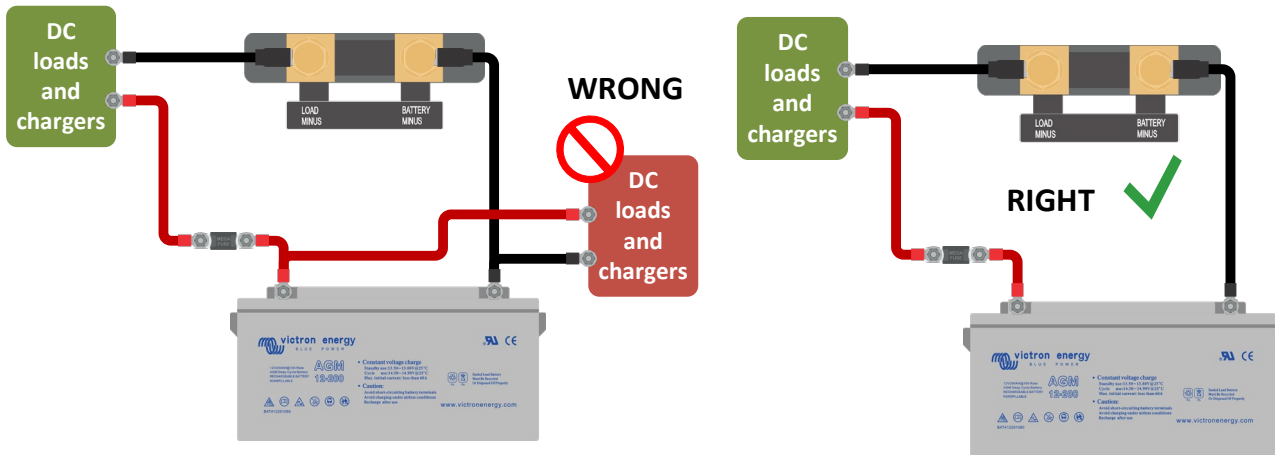
The discharge current should be shown as a negative value. For example: -1.45A.

If the charge and discharge currents are reversed, the negative power cables on the SmartShunt must be swapped. See paragraph 3.3: “Basic electrical connections”.



10.3.2 Incomplete current reading

The negatives of all the loads and the charge sources in the system must be connected to the load minus side of the SmartShunt. If the negative of loads or charge sources are connected directly to the negative battery terminal the currents to these loads or charger sources will not flow through the SmartShunt and they will be excluded from the current reading and therefore also from the state of charge reading. The SmartShunt will display a higher state of charge than the actual state of charge of the battery.



10.3.3 There is a current reading while no current flows

Perform a zero current calibration while all loads are turned off (paragraph 7.1.13) or set the current threshold (paragraph 7.1.8).

10.3.4 Incorrect state of charge reading

Incorrect state of charge due to a synchronisation issue

State of charge is a calculated value and will need to be reset (synchronised) every now and then. The following parameters will have an effect on the state of charge calculations if they have been set up incorrectly:

- Battery capacity
- Charged voltage and tail current
- Peukert exponent and charge efficiency factor
- State of charge and synchronisation settings

For more information on these parameters see paragraph 7.1: "Battery settings".

Also see next paragraph ¡Error! No se encuentra el origen de la referencia.: "¡Error! No se encuentra el origen de la referencia."

Incorrect state of charge due to incorrect current reading

State of charge is calculated by looking at how much current flows in and out of the battery. If the current reading is incorrect, the state of charge will also be incorrect. See paragraph ¡Error! No se encuentra el origen de la referencia.: "¡Error! No se encuentra el origen de la referencia."

10.3.5 State of charge indicates three dashes "---"

This means that the SmartShunt is in an unsynchronised state. This mainly occurs when the SmartShunt has just been installed or after the SmartShunt has been unpowered and is being powered up again. Charge the batteries and the SmartShunt should synchronise automatically. If that doesn't work, review the synchronisation settings, See paragraph 5.3: "Synchronising the SmartShunt".

If you know the battery is fully charged but don't want to wait until the SmartShunt synchronises, then press the Synchronise SoC to 100% button, see paragraph 7.1.12: "Synchronise SoC to 100%".

10.3.6 State of charge does not reach 100%

The SmartShunt will synchronise and reset the state of charge to 100% as soon as the battery has been fully charged. Fully charge the battery and check if the SmartShunt correctly detects if the battery is fully charged. If

the SmartShunt does not detect that the battery has been fully charged you will need to check or adjust the charged voltage, tail current and/or charged time settings. For more information see paragraph 5.3.1: “Automatic synchronisation”.

State of charge does not increase fast enough when charging

Check if the battery capacity has been set correctly. See paragraph 7.1.1: “Battery capacity”.

State of charge always shows 100%

One reason could be that the SmartShunt negative cables have been wired the wrong way around, see paragraph **¡Error! No se encuentra el origen de la referencia.:** “**¡Error! No se encuentra el origen de la referencia.**”.

10.3.7 Incorrect voltage reading

Main battery voltage too low

Issue with the Vbatt+ cable, perhaps the fuse, the cable itself or one of the terminals are faulty or have loose connections.

Incorrect wiring: the Vbatt+ cable has to be connected to the positive of the battery bank, not midway of the battery bank.

In case a temperature sensor is used, make sure the sensor is connected to the positive terminal of battery bank, not midway of the battery bank.

Starter battery voltage too low

Issue with the Aux cable, perhaps the fuse, the cable itself or one of the terminals are faulty or have loose connections.

Starter battery voltage missing

Make sure that both batteries share a common negative. For instruction how to correctly wire the starter battery see paragraph 3.4.1: “Aux connection for monitoring the voltage of a second battery”.

10.3.8 Synchronisation issues

The SmartShunt does not synchronise automatically

One possibility is that the battery never reaches a fully charged state. Fully charge the battery and see if the state of charge eventually indicates 100%.

The other possibility is that the charged voltage setting should be lowered and/or the tail current setting should be increased. See paragraph 5.3: “Synchronising the SmartShunt”.

The SmartShunt synchronises too early

This can be the case in solar systems or other applications with fluctuating charge currents. Take the following measures to reduce the probability for the SmartShunt to prematurely set the state of charge to 100%:

- Increase the “charged” voltage to slightly below the absorption charge voltage. For example: 14.2V in case of 14.4V absorption voltage (for a 12V battery).
- Increase the “charged detection time” and/or decrease the tail current to prevent an early reset due to passing clouds.
- See paragraph 5.3: “Synchronising the SmartShunt”.

State of charge indicates three dashes --- :

This means that the SmartShunt is in an unsynchronised state. This mainly occurs when the SmartShunt has just been installed or after the SmartShunt has been unpowered and powered up again. Charge the batteries and the SmartShunt should synchronise automatically. If that doesn't work, review the synchronisation settings, See paragraph 5.3: “Synchronising the SmartShunt”.

If you know the battery is fully charged but don't want to wait until the SmartShunt synchronises then press the Synchronise SoC to 100% button, see paragraph 7.1.12: “Synchronise SoC to 100%”.

11 TECHNICAL DATA

SMARTSHUNT	
Supply voltage range	500A / 1000A / 2000A
Current draw	6.5 - 70 VDC
Input voltage range, auxiliary battery	< 1mA
Battery capacity (Ah)	6.5 - 70 VDC
Operating temperature range	1 - 9999 Ah
Measures voltage of second battery, temperature* or midpoint	-40 +50°C (-40 - 120°F)
Temperature measurement range*	Yes
VE.Direct communication port	-20 +50°C
RESOLUTION & ACCURACY	
Current	Yes
Voltage	± 0.1A
Amp hours	± 0.01V
State of charge (0 – 100%)	± 0.1 Ah
Time-to-go	± 0.1%
Temperature (0 - 50°C or 30 - 120°F)	± 1 min
Accuracy of current measurement	± 1°C/°F
Offset	± 0.4%
Accuracy of voltage measurement	Less than 10 / 20 / 40 mA
INSTALLATION & DIMENSIONS	
Dimensions (h x w x d)	500A: 46 x 120 x 54 mm 1000A: 68 x 120 x 54 mm 2000A: 68 x 120 x 76 mm
Protection category	IP21
STANDARDS	
Safety	EN 60335-1
Emission / Immunity	EN-IEC 61000-6-1 EN-IEC 61000-6-2 EN-IEC 61000-6-3
Automotive	EN 50498
Cables (included)	2 Cables with fuse for '+' and Aux connection
Temperature sensor	Optional (ASS000100000)

* Only when optional temperature sensor is connected, temperature sensor is not included

Inhoudsopgave

1	Veiligheidsvoorzorgsmaatregelen	4
1.1	Veiligheidsvoorschriften voor het gebruik van een accu.....	4
1.2	Vervoer en opslag.....	4
2	Inleiding	5
2.1	SmartShunt	5
2.2	Waarom zou ik mijn accu moeten monitoren?	5
2.3	Afmetingen	5
2.4	VictronConnect.....	5
2.5	Accessoires	5
3	Installatie	6
3.1	Wat zit er in de doos?	6
3.2	Montage	6
3.3	Essentiële elektrische aansluitingen	6
3.3.1	Aansluiting accuminpool.....	6
3.3.2	Aansluiting belastingminpool	6
3.3.3	Vbatt+-aansluiting	6
3.4	Elektrische aux-contacten	7
3.4.1	Aux-aansluiting voor het monitoren van de spanning van een tweede accu	7
3.4.2	Aux-aansluiting voor het monitoren van de middelpuntspanning van een accubank	7
3.4.3	Aux-aansluiting voor temperatuurmonitoring.....	8
3.5	Aansluiting GX-apparaat	9
4	Inbedrijfstelling	10
4.1	VictronConnect downloaden en installeren.....	10
4.2	De zekering plaatsen	10
4.3	Verbinding maken met de SmartShunt.....	10
4.4	Firmware updaten.....	10
4.5	Essentiële instellingen uitvoeren	10
4.5.1	Het instellen van de configuratie van de accucapaciteit	11
4.5.2	Stel de optie „spanning bij opgeladen" in	11
4.5.3	Instellingen oplaadstatus	11
4.5.4	Aux-ingangsfunctie instellen	12
4.6	Lithiuminstellingen uitvoeren (indien nodig).....	12
5	Bediening	13
5.1	Hoe werkt de SmartShunt?	13
5.2	Uitlezen van het overzicht	13
5.3	Het synchroniseren van de SmartShunt	14
5.3.1	Automatische synchronisatie	14
5.3.2	Handmatige synchronisatie	15
5.4	Alarmmeldingen.....	15
5.5	Geschiedenisgegevens.....	16

5.6	Trends	16
5.7	LED-statuscodes	16
6	Interface	18
6.1	VictronConnect via USB.....	18
6.2	Verbinding maken met een GX-apparaat en VRM.....	18
6.3	Verbinding maken met het VE.Smart-netwerk.....	19
6.4	Aangepaste integratie (programming vereist).....	20
7	Alle functies en instellingen	21
7.1	Accu-instellingen.....	21
7.1.1	Accucapaciteit.....	21
7.1.2	Spanning bij opgeladen	21
7.1.3	Ontladingslimiet.....	21
7.1.4	Staartstroom	21
7.1.5	Detectietijd bij opgeladen	22
7.1.6	Peukert-exponent.....	22
7.1.7	Laadefficiëntiefactor	22
7.1.8	Stroomdrempel	22
7.1.9	Gemiddelde „resterende tijd"	22
7.1.10	Accu start gesynchroniseerd op.....	23
7.1.11	Oplaadstatus.....	23
7.1.12	SoC synchroniseren naar 100%	23
7.1.13	Nulstroomkalibratie	23
7.2	Alarminstellingen	23
7.2.1	SoC-alarminstelling	24
7.2.2	Alarm bij lage spanning	24
7.2.3	Alarm bij hoge spanning	24
7.2.4	Alarm bij lage startspanning	24
7.2.5	Alarm bij hoge startspanning	25
7.2.6	Alarm bij middelpuntafwijking	25
7.2.7	Alarm bij hoge temperatuur	25
7.2.8	Alarm bij lage temperatuur	26
7.3	Diverse instellingen.....	26
7.3.1	Aux-ingang.....	26
7.3.2	Temperatuurcoëfficiënt.....	26
7.4	Instelling temperatuureenheid	26
7.5	Productinstellingen	26
7.5.1	Resetten naar fabrieksinstellingen.....	27
7.5.2	Aangepaste naam	27
7.5.3	Firmware.....	27
7.5.4	Pincode wijzigen	27
7.5.5	Bluetooth uitschakelen en opnieuw inschakelen	27

7.5.6	Serienummer	27
7.6	Instellingen opslaan, laden en delen	28
7.7	Geschiedenis resetten	28
7.8	Pincode resetten.....	28
8	Accucapaciteit en Peukert-exponent.....	29
9	Monitoring van de middelpuntspanning.....	31
9.1	Accubank en middelpuntbedradingsschema's	31
9.1.1	Middelpunt aansluiten en monitoren in een 24V-accubank.....	31
9.1.2	Middelpunten aansluiten en bewaken in een 48V-accubank	32
9.2	Berekening van de afwijking van het middelpunt	32
9.3	Het alarmniveau instellen	33
9.4	Alarmvertraging	33
9.5	Wat te doen in geval van een alarm tijdens het opladen	33
9.6	Wat te doen in geval van een alarm tijdens het ontladen	34
9.7	Battery Balancer	34
10	Problemen oplossen.....	35
10.1	Problemen met functionaliteit	35
10.1.1	Eenheid gaan niet aan, er gaan geen lampjes branden.	35
10.1.2	Aux-poort werkt niet	35
10.1.3	Ik kan instellingen niet wijzigen.....	35
10.2	Problemen met de verbinding.....	35
10.2.1	Ik kan geen verbinding maken via Bluetooth.....	35
10.2.2	Pincode verloren	36
10.3	Onjuiste metingen	36
10.3.1	Laad- en ontlaadstroom zijn verwisseld	36
10.3.2	Onvolledige stroomlezing	37
10.3.3	Er wordt een stroomwaarde weergegeven terwijl er geen stroom is	37
10.3.4	Onjuiste oplaadstatus.....	37
10.3.5	De oplaadstatus geeft drie streepjes aan „--”	37
10.3.6	Oplaadstatus bereikt de 100% niet	37
10.3.7	Onjuiste meting van de spanning.....	38
10.3.8	Problemen met synchronisatie.....	38
11	Technische gegevens.....	39

1 VEILIGHEIDSVOORZORGSMATREGELEN

1.1 Veiligheidsvoorschriften voor het gebruik van een accu



Werken in de buurt van een loodzuuraccu is gevaarlijk. Accu's kunnen explosieve gassen genereren wanneer ze in gebruik zijn. Rook nooit en voorkom het ontstaan van vonken of vlammen in de buurt van een accu. Zorg voor voldoende ventilatie rond de accu.



Draag oog- en kledingbescherming. Vermijd het aanraken van de ogen tijdens het werken in de buurt van accu's. Was uw handen na het werken met of in de buurt van een accu.



Als de huid of kleding in aanraking komt met accuzuur, was het dan onmiddellijk met water en zeep. Als er accuzuur in een oog terecht komt, spoel het oog dan onmiddellijk met stromend koud water gedurende tenminste 15 minuten en raadpleeg direct een arts.



Wees voorzichtig bij het gebruik van metalen gereedschappen in de buurt van accu's. Door metalen gereedschap op een accu te laten vallen, kan er een kortsluiting optreden en dit kan mogelijk een explosie veroorzaken.



Verwijder persoonlijke metalen voorwerpen zoals ringen, armbanden, kettingen en horloges wanneer u met een accu werkt. Een accu kan een kortsluitstroom genereren die hoog genoeg is om voorwerpen zoals ringen te smelten, waardoor ernstige brandwonden kunnen ontstaan.

1.2 Vervoer en opslag

Bewaar de SmartShunt in een droge omgeving.
De geschikte opslagtemperatuur is: -40 °C tot +60 °C.

2 INLEIDING

2.1 SmartShunt

De SmartShunt is een accumonitor. Het meet de accuspanning en -stroom. Op basis van deze metingen berekent het de oplaadstatus, de resterende tijd en houdt het historische gegevens bij, zoals de diepste ontlading, de gemiddelde ontlading en het aantal laadcycli.

De SmartShunt maakt via Bluetooth verbinding met de [VictronConnect-app](#). De VictronConnect-app wordt gebruikt om alle gemonitorde accuparameters uit te lezen en wordt ook gebruikt om instellingen te bepalen of te wijzigen. De SmartShunt kan ook verbinding maken met een [GX-apparaat](#), zoals de ColorControl GX of de Cerbo GX.

De SmartShunt heeft een aux-ingang die kan worden gebruikt om de spanning van een tweede accu of het middelpunt van een accubank te monitoren. De aux-ingang kan ook worden gebruikt voor het monitoren van de accutemperatuur samen met de optionele [temperatuursensor voor de BMV-accumonitor](#).

2.2 Waarom zou ik mijn accu moeten monitoren?

Accu's worden in een breed scala aan toepassingen gebruikt, meestal om energie op te slaan voor later gebruik. Maar hoeveel energie is er opgeslagen in de accu? Niemand kan dat zomaar zien door er alleen naar te kijken. De levensduur van een accu hangt af van een groot aantal factoren. De levensduur van de accu kan worden verkort door het onvoldoende te laden, te veel op te laden, te diepe ontladingen, overmatige laad- of ontladingsstromen en door een te hoge omgevingstemperatuur. Het monitoren van de accu met een geavanceerde accumonitor geeft belangrijke feedback aan de gebruiker, zodat corrigerende maatregelen kunnen worden genomen waar nodig. Als u dit doet, verlengt de levensduur van de accu en zult u de kosten voor uw SmartShunt snel weer herstellen.

2.3 Afmetingen

De SmartShunt is verkrijgbaar in 3 afmetingen: 500 A, 1000 A en 2000 A.

2.4 VictronConnect

VictronConnect is een gratis app en is beschikbaar voor Android, iOS, MacOS en Windows.

U kunt deze downloaden via een van de appstores of via onze downloadpagina. VictronConnect is nodig voor het instellen en uitlezen van de SmartShunt.

2.5 Accessoires

De volgende onderdelen zijn eventueel ook nodig, afhankelijk van uw installatie:

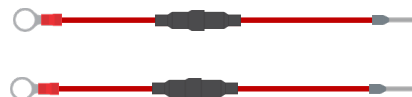
- Temperatuursensor voor BMV-accumonitor.
- VE.Direct-naar-USB-interface.
- GX-apparaat.
- VE.Direct-kabel.

3 INSTALLATIE

3.1 Wat zit er in de doos?

In de doos vindt u de volgende onderdelen:

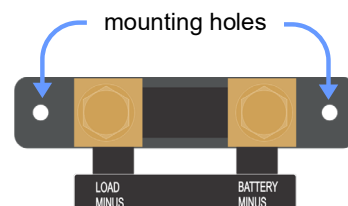
- SmartShunt 500 A, 1000 A of 2000 A.
- Twee rode kabels, beide met zekering.



3.2 Montage

Er bevinden zich twee 5.5 mm bevestigingsgaten in de basis van de SmartShunt. De gaten kunnen worden gebruikt om de SmartShunt op een stevig oppervlak te bevestigen (schroeven zijn niet inbegrepen).

De SmartShunt is gecategoriseerd als IP21. Dit betekent dat de SmartShunt niet waterdicht is en op een droge plek moet worden bevestigd.



3.3 Essentiële elektrische aansluitingen

De SmartShunt heeft 3 essentiële aansluitingen en één optionele aansluiting. In dit hoofdstuk wordt beschreven hoe u deze kunt aansluiten.

3.3.1 Aansluiting accuminpool

Sluit de minpool van de accu aan op de M10-bout aan de „ACCUMIN”-zijde van de SmartShunt.

3.3.2 Aansluiting belastingminpool

Sluit de minpool van het elektrische systeem aan op de M10-bout aan de „BELASTINGMIN”-zijde van SmartShunt. Zorg ervoor dat het negatieve kabel van alle DC-belastingen en laadbronnen „achter” de SmartShunt aangesloten worden.

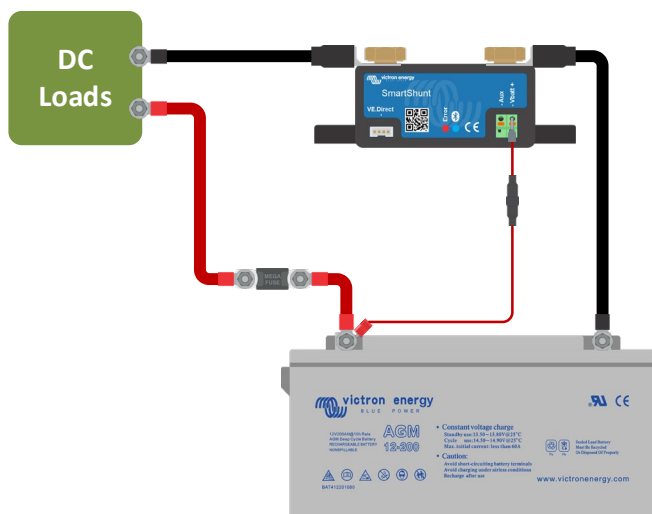
3.3.3 Vbatt+-aansluiting

Sluit de M8-aansluiting van de rode kabel met zekering aan op de accupluspool.

Sluit de ferrule-pin van de rode kabel met zekering aan op de SmartShunt door de pin in het „Vbatt+”-contact te drukken.

Zodra de zekering in de kabel is geplaatst, begint de SmartShunt Bluetooth te knippen. De SmartShunt is nu actief. De volgende stap is het instellen met de VictronConnect-app. Dit wordt uitgelegd in hoofdstuk 4: „Commissioning”.

Als de aux-poort wordt gebruikt voor het monitoren van een tweede accu, de middelpuntspanning of de temperatuur, lees dan een van de volgende 3 paragrafen over hoe dit te doen en ga dan vervolgens verder naar hoofdstuk 4: „Inbedrijfstelling”.



3.4 Elektrische aux-contacten

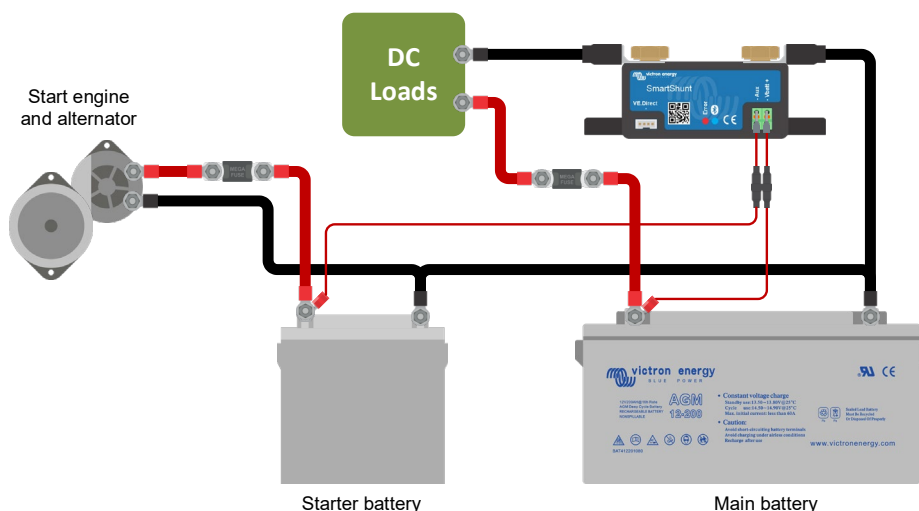
Naast het uitgebreid monitoren van de hoofdaccubank, kan de SmartShunt een tweede parameter monitoren. Dit kan de spanning zijn van een tweede accu (startaccu), de afwijking van de middelpuntspanning van een accubank of de accutemperatuur. Om dit mogelijk te maken, is de SmartShunt uitgerust met een tweede monitoringang, de Aux-ingang. In dit hoofdstuk wordt beschreven hoe u de aux-ingang kunt bedraden voor de drie mogelijke configureerbare opties.

3.4.1 Aux-aansluiting voor het monitoren van de spanning van een tweede accu

De Aux-aansluiting kan worden gebruikt om de spanning van een tweede accu, zoals een startaccu, te monitoren.

Hieronder leggen we uit hoe u alles dient aan te sluiten:

- Sluit de M8-aansluiting van de rode kabel met zekering aan op de pluspool van de tweede accu.
- Sluit de adereindhuls van de rode kabel met zekering aan op de SmartShunt door het in het „Aux“-contact te drukken.
- Zorg ervoor dat de minpool van de hoofdaccu en de minpool van de tweede accu overeenkomen.

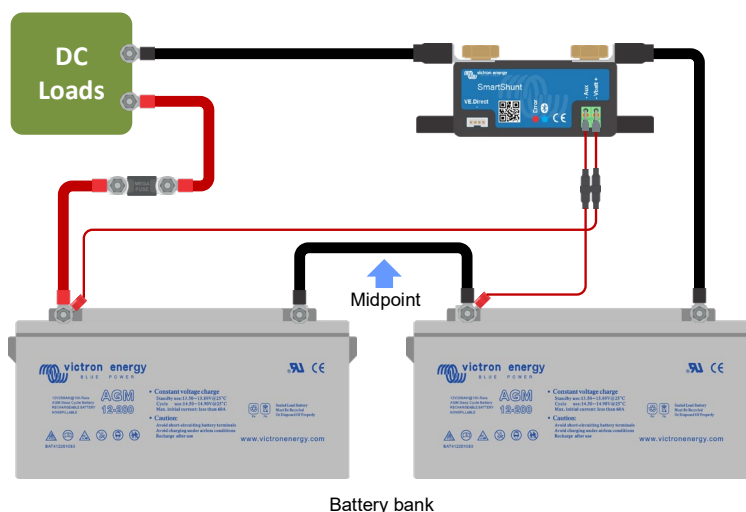


3.4.2 Aux-aansluiting voor het monitoren van de middelpuntspanning van een accubank

De Aux-aansluiting kan worden gebruikt om de middelpuntspanning van een accubank te monitoren die bestaat uit meerdere serie-bedrade accu's om een 24- of 48V-accubank te creëren.

Hieronder leggen we uit hoe u alles dient aan te sluiten:

- Sluit de M8-aansluiting van de rode kabel met zekering aan op de pluspool van het middelpunt.
- Sluit de adereindhuls van de rode kabel met zekering aan op de SmartShunt door het in het „Aux“-contact te drukken.



Voor meer informatie over het monitoren van de middelpuntspanning, zie hoofdstuk 9. Dit hoofdstuk bevat ook informatie en bedradingsschema's voor het monitoren van de middelpuntspanning van serie/parallel-bedrade accubanken.

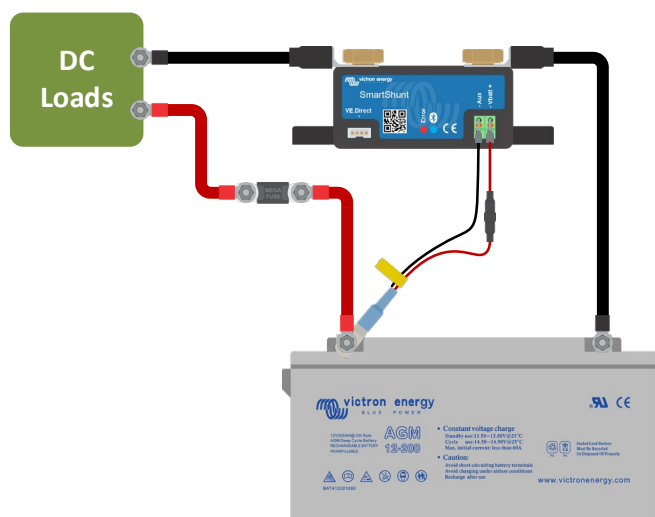
3.4.3 Aux-aansluiting voor temperatuurmonitoring

De Aux-aansluiting kan gebruikt worden om de temperatuur van een accu te monitoren. Om de temperatuur te kunnen monitoren, dient u het volgende aan te schaffen: „Temperatuursensor voor BMV-accumonitor“. Dit is een kabel met geïntegreerde temperatuursensor met onderdeelnummer ASS000100000. Houd er rekening mee dat deze temperatuursensor een andere temperatuursensor is dan de temperatuursensoren die worden gebruikt met de omvormers en acculaders van Victron.



Hieronder leggen we uit hoe u alles dient aan te sluiten:

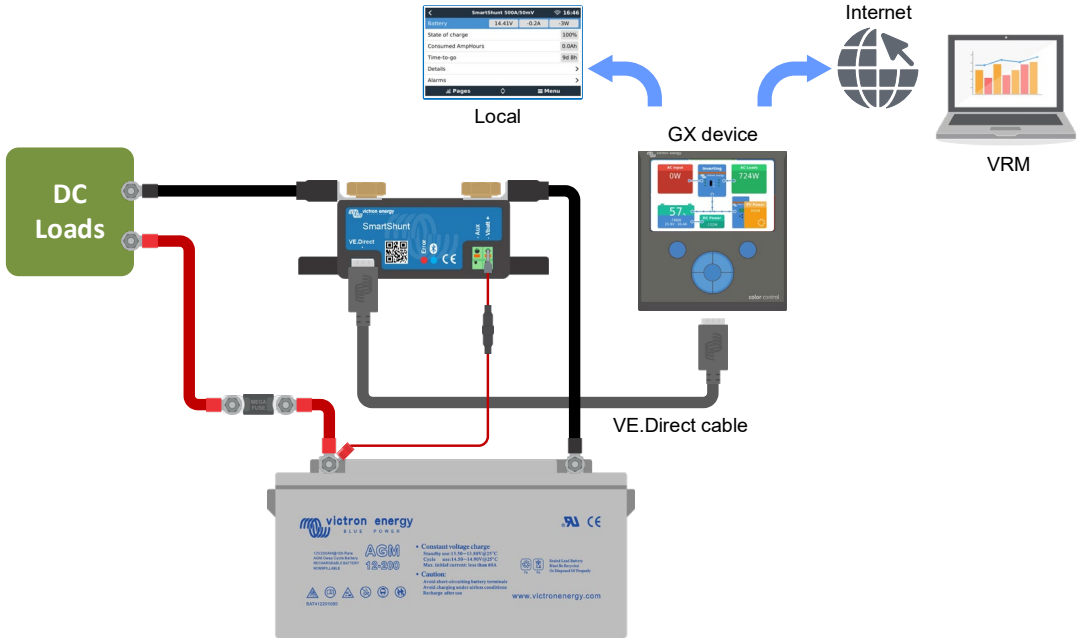
- Sluit het M8-kabeloog van de temperatuursensor aan op de pluspool van de accu.
- Sluit de adereindhuls van de rode kabel (met zekering) aan op de SmartShunt door het in het „Vbatt+“-contact te drukken.
- Sluit de adereindhuls van de zwarte kabel aan op de SmartShunt door het in het „Aux“-contact te drukken.



Houd er rekening mee dat als u de temperatuursensor gebruikt, de rode stroomkabels die bij de SmartShunt zijn meegeleverd, niet nodig zijn. De temperatuursensor zal deze kabels vervangen.

3.5 Aansluiting GX-apparaat

Als het systeem een GX-apparaat bevat, kan de SmartShunt worden aangesloten op dat GX-apparaat met een VE.Direct-kabel, onderdeelnummer ASS03053xxxx. Eenmaal aangesloten, kan het GX-apparaat worden gebruikt om alle gemonitorde accuparameters uit te lezen. Voor meer informatie, zie hoofdstuk 6.2: „Connecting to a GX device and VRM”.



4 INBEDRIJFSTELLING

Zodra de elektrische aansluitingen gereed zijn, moet de SmartShunt worden ingesteld. Dit gebeurt met behulp van de VictronConnect-app. Deze app is nodig om de SmartShunt in te stellen en uit te lezen.

4.1 VictronConnect downloaden en installeren

Om met de SmartShunt te kunnen communiceren en het te kunnen instellen, dient u de VictronConnect-app te gebruiken. VictronConnect is een gratis app en is beschikbaar voor Android, iOS, MacOS en Windows. Het kan worden gedownload van de betreffende appstores. Dit kan ook vanaf het gedeelte „Downloads” op onze website: <https://www.victronenergy.com/support-and-downloads/software>.

4.2 De zekering plaatsen

Als dit nog niet eerder is gedaan, plaat de zekering dan in de Vbatt+-kabel. Het blauwe „Bluetooth”-lampje zou moeten gaan knipperen.

4.3 Verbinding maken met de SmartShunt

Maak verbinding met de SmartShunt via VictronConnect. Dit gebeurt via Bluetooth. Het is ook mogelijk om verbinding te maken met de SmartShunt via USB of via VRM (Victron Remote Monitoring). Voor meer informatie hierover, zie paragraaf 6: „Interfacing”.

Zo kunt u verbinding maken:

- Open de VictronConnect-app.
- Bekijk of de SmartShunt in de lijst met apparaten wordt weergegeven.
- Klik op SmartShunt.
- Voer de standaard pincode, 000000, in.
- Wanneer het succesvol is aangesloten, blijft het „Bluetooth”-lampje branden.

Na het invoeren van de standaard pincode vraagt VictronConnect u om de pincode te wijzigen. Dit is om ongeautoriseerde verbindingen in de toekomst te voorkomen. Het wordt aanbevolen om de pincode te wijzigen bij de eerste installatie. Dit kan gedaan worden via het tabblad productinformatie, zie paragraaf 7.5.4: „Changing PIN code”.

Voor meer informatie over VictronConnect, zie de handleiding van VictronConnect:

<https://www.victronenergy.com/live/victronconnect:start>.

4.4 Firmware updaten

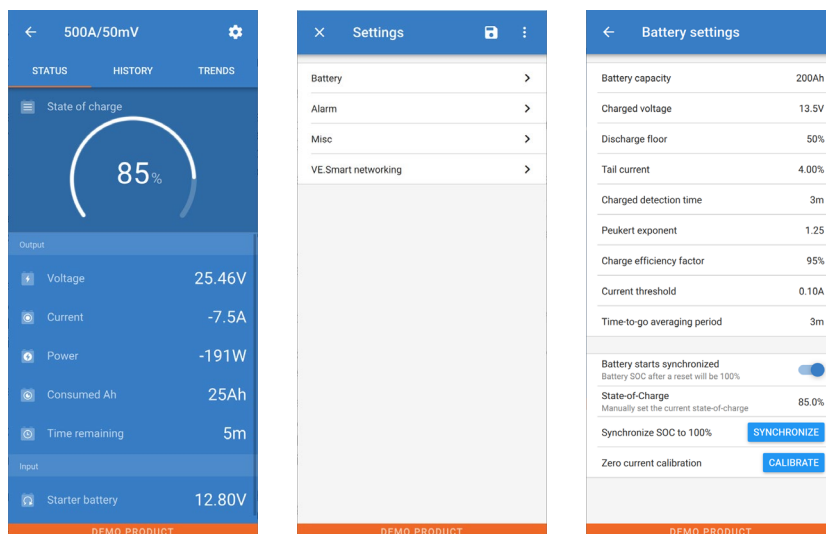
Bij de eerste verbinding kan VictronConnect u vragen om de firmware van de Bluetooth-interface en/of van de SmartShunt te updaten. Dit moet altijd worden gedaan bij de eerste installatie. Zonder de geüpdatete firmware kunnen instellingen niet worden gewijzigd en zal alleen de monitoringsfunctie actief zijn.

4.5 Essentiële instellingen uitvoeren

De standaardinstellingen van de SmartShunt zijn gebaseerd op loodzuuraccu's (natte, GEL- of AGM-accu's).

Houd er rekening mee dat er in het geval van lithiumaccu's of accu's met andere chemische componenten, verschillende aanvullende instellingen moeten worden gewijzigd. Voer eerst de essentiële instellingen uit zoals beschreven in deze paragraaf en raadpleeg vervolgens de volgende paragraaf over de speciale instellingen voor lithiumaccu's. U kunt ook contact opnemen met de leverancier van de accu of deze paragraaf door te lezen 7.1: „Battery settings”.

Voor het uitvoeren van de instellingen navigeert u naar het instellingenmenu door op de knop „Instellingen” ✪ te klikken, rechtsboven in VictronConnect-scherm.



De meeste standaardinstellingen kunnen worden behouden. Er zijn echter een aantal instellingen die moeten worden gewijzigd. Deze zijn:

- Capaciteit van de accu.
- „Spanning bij opgeladen“.
- Oplaad- of startstatus gesynchroniseerd.
- De functionaliteit van de aux-ingang (indien van toepassing).

Als u wilt weten wat alle andere instellingen betekenen, bekijk dan paragraaf 7.1: „Battery settings“.

4.5.1 Het instellen van de configuratie van de accucapaciteit

Deze instelling is te vinden via: VictronConnect > Settings > Battery.

De SmartShunt is standaard ingesteld op 200 Ah. Wijzig deze waarde op basis van uw accucapaciteit. Voor meer informatie over accucapaciteit, zie paragraaf 7.1.1: „Battery capacity“.

4.5.2 Stel de optie „spanning bij opgeladen“ in

Deze instelling is te vinden via: VictronConnect > Settings > Battery.

De SmartShunt is standaard ingesteld op 0,0 V. De SmartShunt detecteert de systeemspanning niet automatisch zoals de BMV dat doet. U zult daarvoor de „spanning bij opgeladen“ moeten instellen.

Dit zijn de aanbevolen waarden voor „spanning bij opgeladen“:

Nominale accuspanning	Aanbevolen instelling „spanning bij opgeladen“
12 V	13,2 V
24 V	26,4 V
36 V	39,6 V
48 V	52,8 V

Voor meer informatie over de instelling „spanning bij opgeladen“, zie paragraaf 7.1.2: „Charged voltage“.

4.5.3 Instellingen oplaadstatus

Deze instelling is te vinden via: VictronConnect > Settings > Battery.

Wanneer de SmartShunt voor de eerste keer is ingeschakeld, wordt standaard de 100% oplaadstatus weergegeven. Als u dit wilt veranderen, dan is het mogelijk om de waarde van de oplaadstatus handmatig in te stellen. Voor meer informatie, zie paragraaf 7.1.10: „Battery starts synchronised“ en paragraaf 7.1.11: „State of charge“.

4.5.4 Aux-ingangsfunctie instellen

Deze instelling is te vinden via: VictronConnect > Settings > Misc.

Deze configuratie stelt de functie van de aux-ingang in, namelijk:

- Startaccu - Spanningsmonitoring voor een tweede accu.
- Middelpunt - Het meten van de middelpuntspanning van een accubank.
- Temperatuur - Het meten van de accutemperatuur via de optionele temperatuursensor.

4.6 Lithiuminstellingen uitvoeren (indien nodig)

LifePO4 (Lithium-ijzerfosfaat of LFP) is de meest gebruikte Li-ion-accu-chemie. De fabrieksinstellingen zijn over het algemeen ook van toepassing op LFP-accu's met uitzondering van deze instellingen:

- Laad efficiëntie.
- Peukert-exponent.
- Staartstroom.

Laad efficiëntie

De laad efficiëntie van lithiumaccu's is veel hoger dan die van loodzuuraccu's. We raden aan om de laad efficiëntie op 99% in te stellen. Voor meer informatie, zie paragraaf 7.1.7: „Charge efficiency factor“.

Peukert-exponent

Wanneer lithiumaccu's worden blootgesteld aan hoge ontladingsnelheden, presteren ze veel beter dan loodzuuraccu's. Stel de Peukert-exponent in op 1,05, tenzij de leverancier van de accu anders adviseert.

Staatstroom

Sommige lithiumacculaders stoppen met opladen wanneer de stroom onder een ingestelde drempel daalt. De staatstroom moet in dit geval hoger worden ingesteld.

Ontladingslimiet

Deze instelling wordt gebruikt voor de berekening van de „resterende tijd“ en wordt standaard ingesteld op 50%. Lithiumaccu's kunnen echter meestal aanzienlijk dieper worden ontladen dan 50%. De ontladingslimiet kan worden ingesteld op een waarde tussen de 10 en 20%, tenzij de leverancier van de accu anders adviseert.

Belangrijke waarschuwing

Lithiumaccu's zijn duur en kunnen onherstelbaar worden beschadigd door zeer diepe ontlading of overlading. Schade als gevolg van diepe ontlading kan optreden als kleine belastingen de accu langzaam ontladen wanneer het systeem niet in gebruik is. Enkele voorbeelden van deze belastingen zijn alarmsystemen, standby-stroom van gelijkstroombelastingen en afvoer van terugstroom van acculaders of laadregelaars. Restontladingsstroom is vooral schadelijk als het systeem volledig ontladen is totdat het systeem uitschakelt door een te lage celspanning. Op dit moment kan de oplaadstatus tot 1% dalen. De lithiumaccu raakt beschadigd als de resterende stroom uit de accu wordt getrokken. Deze schade kan onherstelbaar zijn.

Een reststroom van 1 mA kan bijvoorbeeld een 100Ah-accu beschadigen als de accu gedurende meer dan 40 dagen in een ontladen toestand blijft ($1 \text{ mA} \times 24 \text{ h} \times 40 \text{ dagen} = 0,96 \text{ Ah}$).

De SmartShunt haalt <1 mA uit een 12V-accu. De positieve voeding moet daarom worden onderbroken als een systeem met Li-ion-accu's niet wordt gebruikt gedurende een periode die lang genoeg is om de stroom door de SmartShunt volledig te ontladen.

Isoleer de accu, in geval van twijfel over mogelijke reststroomafname, door de accuschakelaar open te zetten, door de zekering(en) uit te trekken of door de accu los te koppelen wanneer het systeem niet in gebruik is.

5 BEDIENING

5.1 Hoe werkt de SmartShunt?

De hoofdfunctie van de SmartShunt is om de oplaadstatus van een accu te controleren en deze weer te geven, om te weten in hoeverre de accu is opgeladen en om een onverwachte totale ontlading te voorkomen.

De SmartShunt meet continu de stroom van en naar de accu. De integratie van deze stroom komt, in geval van een onveranderlijke stroom, neer op het vermenigvuldigen van stroom en tijd en geeft de netto toegevoegde of verwijderde Ah weer.

Bijvoorbeeld: een ontladestroom van 10 A gedurende 2 uur verbruikt $10 \times 2 = 20$ Ah van de accu.

Om het nog ingewikkelder te maken, de effectieve capaciteit van een accu hangt af van de onlaadsnelheid, de Peukert-efficiëntie en, in mindere mate, de temperatuur. En om het nog ingewikkelder te maken: bij het opladen van een accu moet er meer energie (Ah) in de accu worden 'gepompt' dan herwonnen kan worden tijdens de volgende ontlading. Met andere woorden: de laad efficiëntie is minder dan 100%.

De SmartShunt houdt rekening met al deze factoren bij het berekenen van de oplaadstatus.

5.2 Uitlezen van het overzicht

Het statusscherm van de SmartShunt toont een overzicht van de belangrijkste parameters:

- Oplaadstatus.
- Accuspanning.
- Accustroom.
- Voeding.
- Uitlezen van de aux-ingang (startaccu, middelpuntspanning of temperatuur).

Oplaadstatus

Dit is de werkelijke oplaadstatus van de accu uitgedrukt in procenten en wordt gecompenseerd voor zowel de Peukert-efficiëntie als de laad efficiëntie. De oplaadstatus is de beste manier om de accu te monitoren.

Een volledig opgeladen accu wordt aangegeven met een waarde van 100,0%. Een volledig ontladen accu wordt aangegeven met een waarde van 0,0%.

Houd er rekening mee dat als de oplaadstatus drie streepjes aangeeft, „—”, betekent het dat de SmartShunt niet is gesynchroniseerd. Dit gebeurt vooral wanneer de SmartShunt net is geïnstalleerd of nadat de SmartShunt uit heeft gestaan en weer ingeschakeld wordt. Voor meer informatie, zie paragraaf 5.3: „Synchronising the SmartShunt”.

Spanning

Dit is de aansluitspanning van de accu.

Stroom

Dit is de werkelijke stroom die van of naar de accu stroomt. Een negatieve stroom geeft aan dat er stroom uit de accu wordt getrokken. Dit is de stroom die nodig is voor DC-belastingen. Een positieve stroom betekent dat de stroom naar de accu wordt gevoerd. Dit is de stroom die afkomstig is van de laadbronnen. Houd er rekening mee dat de SmartShunt altijd de totale accustroom aangeeft, met andere woorden: de stroom die naar de accu wordt gevoerd met aftrek van de stroom die uit de accu stroomt.

Voeding

Het vermogen dat wordt getrokken uit of wordt ontvangen door de accu.

Verbruikte Ah

De SmartShunt houdt het aantal ampère-uren bij die uit de accu zijn getrokken, gecompenseerd voor de efficiëntie.

Voorbeeld: Als een stroom van 12 A wordt getrokken uit een volledig opgeladen accu gedurende een periode van 3 uur, wordt de uitlezing weergegeven als -36,0 Ah ($-12 \times 3 = -36$).

Houd er rekening mee dat als de verbruikte Ah drie streepjes aangeeft, „—”, betekent het dat de SmartShunt niet is gesynchroniseerd. Dit gebeurt vooral wanneer de SmartShunt net is geïnstalleerd of nadat de SmartShunt uit

heeft gestaan en weer ingeschakeld wordt. Voor meer informatie, zie paragraaf 5.3: „Synchronising the SmartShunt“.

Resterende tijd

De SmartShunt maakt een inschatting van hoelang de accu de huidige belasting kan ondersteunen. Dit is de uitlezing van de „resterende tijd“ en is de werkelijke resterende tijd totdat de accu is ontladen tot aan de „ontladingslimiet“. De ontladingslimiet is standaard ingesteld op 50%. Voor meer informatie over de ontladingslimiet, zie paragraaf 7.1.3: „Discharge floor“.

Als de belasting sterk fluctueert, is het het beste om niet te veel op deze lezing te vertrouwen, omdat het een tijdelijke uitlezing is en alleen als richtlijn dient te worden gebruikt. Wij raden voor nauwkeurige monitoring van de accu aan dat u de oplaadstatus uitleest.

Als de "resterende tijd" drie streepjes aangeeft, „—“, betekent het dat de SmartShunt niet is gesynchroniseerd. Dit gebeurt vooral wanneer de SmartShunt net is geïnstalleerd of nadat de SmartShunt uit heeft gestaan en weer ingeschakeld wordt. Voor meer informatie, zie paragraaf 5.3: „Synchronising the SmartShunt“.

Ingang

Dit is de status van de aux-ingang. Afhankelijk van hoe de aux-poort is ingesteld, ziet u een van de volgende opties:

- **Startaccuspanning:** Dit toont de spanning van een tweede accu.
- **Accutemperatuur:** Dit toont de accutemperatuur van de hoofdaccu wanneer de optionele temperatuursensor wordt gebruikt.
- **Afwijking middelpuntspanning:** Dit toont het verschil tussen de hoofdspanning van het bovenste gedeelte van de accubank en de spanning van het onderste gedeelte. Voor meer informatie over deze functie, zie hoofdstuk 9: „Midpoint voltage monitoring“.

5.3 Het synchroniseren van de SmartShunt

Voor een betrouwbare uitlezing moet de oplaadstatus, zoals weergegeven door de accumonitor, regelmatig worden gesynchroniseerd met de werkelijke oplaadstatus van de accu. Dit om te voorkomen dat de waarde „oplaadstatus“ in de loop van de tijd afwijkt. Een synchronisatie zal de oplaadstatus van de accu terugzetten naar 100%.

5.3.1 Automatische synchronisatie

Synchronisatie is een automatisch proces en zal plaatsvinden wanneer de accu volledig is opgeladen. De SmartShunt zal enkele parameters bekijken om na te gaan of de accu volledig is opgeladen. Het zal overwegen of de accu volledig is opgeladen wanneer de spanning een bepaalde waarde heeft bereikt en de stroom gedurende een bepaalde tijd onder een bepaalde waarde is gedaald.

Deze parameters zijn:

- **Spanning bij opgeladen** - de druppellaadspanning van de acculader.
- **Staartstroom** - een percentage van de accucapaciteit.
- **Detectietijd opgeladen** - tijd in minuten.

Zodra aan deze 3 parameters is voldaan, stelt de SmartShunt de oplaadstatuswaarde in op 100% en wordt de oplaadstatus gesynchroniseerd.

Voorbeeld:

In het geval van een 12V-accu zal de SmartShunt de oplaadstatus van de accu resetten op 100% wanneer aan al deze parameters is voldaan:

- De spanning overschrijdt 13,2 V,
- de laadstroom minder is dan 4,0% van de totale accucapaciteit (bv. 8 A voor een 200Ah-accu) en
- Er zijn 3 minuten verstreken terwijl er zowel aan de spanning als aan de stroomomstandigheden wordt voldaan.

Als de SmartShunt geen regelmatige synchronisatie uitvoert, begint de oplaadstatuswaarde na verloop van tijd te verschuiven. Dit komt door de kleine onnauwkeurigheden van de SmartShunt en door de schatting van de Peukert-exponent. Zodra een accu volledig is opgeladen en de acculader bij het druppellaadstadium is aangekomen, is de accu volledig opgeladen en wordt de SmartShunt automatisch gesynchroniseerd en stelt het de oplaadstatuswaarde in op 100%.

5.3.2 Handmatige synchronisatie

De SmartShunt kan desgewenst handmatig worden gesynchroniseerd. Dit kan worden gedaan door op de synchronisatieknop in de VictronConnect accu-instellingen te klikken.

Een handmatige synchronisatie kan nodig zijn wanneer de SmartShunt niet meer automatisch synchroniseert. Dit is bijvoorbeeld nodig bij de eerste installatie of nadat de voeding naar de SmartShunt is onderbroken.

Een handmatige synchronisatie kan ook nodig zijn als de accu niet volledig is opgeladen of als de SmartShunt niet heeft gedetecteerd dat de accu volledig is opgeladen omdat de spanning bij opgeladen, stroom of tijd verkeerd zijn ingesteld. Controleer in dit geval de instellingen en zorg ervoor dat de accu regelmatig volledig wordt opgeladen.

5.4 Alarmmeldingen

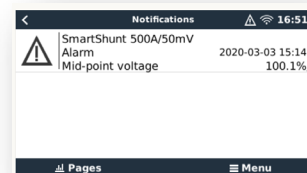
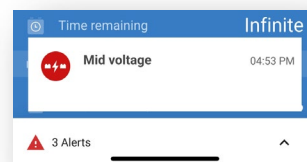
De SmartShunt kan een alarm af laten gaan bij een lage oplaadstatus, lage of hoge accuspanningen, lage of hoge temperatuurmetingen of een bepaalde middelpuntafwijking. Het alarm zal afgaan wanneer de waarde een ingestelde drempelwaarde bereikt en stopt wanneer de waarde weer binnen de norm ligt.

Het alarm is een software-alarm. Wanneer u verbinding maakt met de VictronConnect-app en er een alarm actief is, wordt het alarm weergegeven in de app. Of, als de SmartShunt is aangesloten op een GX-apparaat, verschijnt het alarm op het GX-apparaat of op de VRM.

In het geval van VictronConnect wordt een alarm bevestigd wanneer een knop wordt ingedrukt.

En bij een GX-apparaat wordt een alarm bevestigd wanneer deze in meldingen wordt bekeken. Het alarmpictogram wordt echter weergegeven zolang de alarmtoestand blijft bestaan.

Houd er rekening mee dat de SmartShunt, in tegenstelling tot het bereik van de BMV-accumonitor, geen alarmrelais of zoemer heeft. Als er een relaisfunctie nodig is, sluit de SmartShunt dan aan op een GX-apparaat en gebruik het relais in het GX-apparaat met SmartShunt-functionaliteit.



5.5 Geschiedenisgegevens

De SmartShunt slaat historische events op. Deze kunnen later worden gebruikt om gebruikspatronen en accustatussen te evalueren. De geschiedenis is toegankelijk via het tabblad „History” in VictronConnect.

De geschiedenisgegevens worden opgeslagen in een permanent geheugen en gaan niet verloren wanneer de voeding naar de SmartShunt wordt onderbroken of wanneer de SmartShunt wordt teruggezet naar de standaardinstellingen.

Ontladingsinformatie in Ah

- Diepste ontlading: De SmartShunt onthoudt de diepste ontlading en elke keer dat de accu dieper wordt ontladen, wordt de oude waarde overschreven.
- Laatste ontlading: De SmartShunt houdt de ontlading bij tijdens de huidige cyclus en geeft de grootste waarde weer die is geregistreerd voor Ah-verbruikt sinds de laatste synchronisatie.
- Gemiddelde ontlading: De totaal getrokken Ah gedeeld door het totale aantal cycli.
- Totaal getrokken Ah - Het totale aantal uit de accu getrokken ampère-uren gedurende de levensduur van de SmartShunt.

Energie in kWh

- Ontladen energie: Dit is de totale hoeveelheid energie die uit de accu wordt getrokken, uitgedrukt in (k)Wh.
- Geladen energie: De totale hoeveelheid energie die door de accu wordt opgenomen, uitgedrukt in (k)Wh.

Laadcycli

- Totaal aantal laadcycli: Het aantal laadcycli gedurende de levensduur van de SmartShunt. Elke keer dat de oplaadstatus onder 65% en dan boven 90% stijgt daalt, wordt er een laadcyclus geteld.
- Tijd sinds de laatste keer dat de accu volledig was opgeladen: Het aantal dagen sinds de laatste keer dat de accu volledig was opgeladen.
- Synchronisaties: Het aantal automatische synchronisaties. Telkens wanneer de oplaadstatus onder dan 90% daalt voordat er een synchronisatie plaatsvindt, wordt er een synchronisatie geteld.
- Aantal volledige ontladingen: Het aantal volledige ontladingen. Een volledige ontlading wordt geteld wanneer de oplaadstatus 0% heeft bereikt.

Accuspanning

- Minimale accuspanning: De laagste accuspanning.
- Maximale accuspanning: De hoogste accuspanning.
- Minimale startspanning: De laagste accuspanning van de secundaire accu (indien van toepassing).
- Maximale startspanning: De hoogste extra accuspanning (indien van toepassing).

Spanningsalarmmeldingen

- Alarmmeldingen bij lage spanning: Het aantal alarmmeldingen bij lage spanning.
- Alarmmelding bij hoge spanning: Het aantal alarmmelding bij hoge spanning.

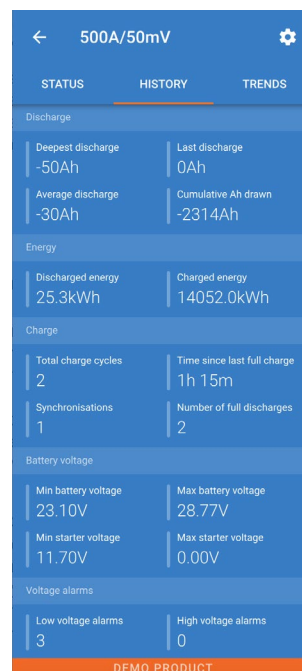
5.6 Trends

Het gedeelte „Trends” van VictronConnect maakt datalogging mogelijk, maar alleen wanneer VictronConnect is verbonden en communiceert met de SmartShunt. Het zal tegelijkertijd twee van de volgende parameters registreren: spanning, stroom, verbruikt vermogen Ah of oplaadstatus.

5.7 LED-statuscodes

De SmartShunt heeft twee LED-lampjes, een Bluetooth-status-LED (blauw) en een foutmelding-LED (rood). Deze LED's zijn beide gekoppeld aan de SmartShunt-Bluetooth-interface.

- Bij het opstarten knippert de blauwe LED en flitst de rode LED snel. De rode LED flitst een keer kort om te bevestigen dat de rode LED functioneel is.
- Wanneer de blauwe LED knippert, is de SmartShunt klaar om te worden aangesloten op VictronConnect.



- Wanneer de blauwe LED aan blijft, is de SmartShunt succesvol verbonden met VictronConnect via Bluetooth.
- Wanneer de blauwe en rode LED's afwisselend knipperen, wordt de SmartShunt-firmware bijgewerkt.

6 INTERFACE

De SmartShunt kan worden aangesloten op andere apparatuur. In dit hoofdstuk wordt beschreven hoe u dit kunt doen.

6.1 VictronConnect via USB

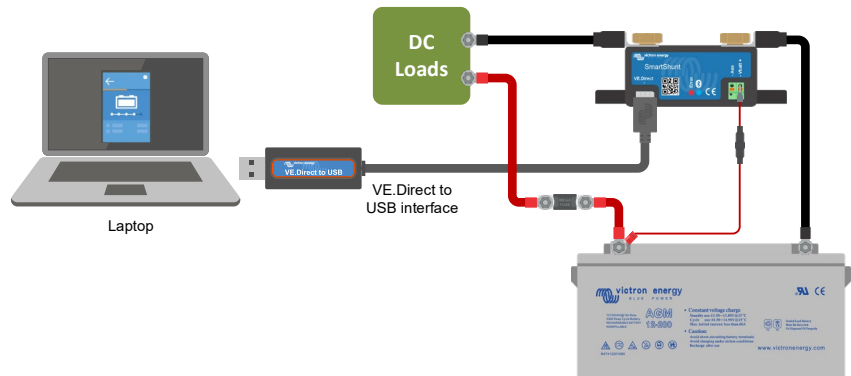
VictronConnect kan niet alleen verbinding maken via Bluetooth, maar kan ook via USB. Een USB-verbinding is essentieel wanneer u verbinding maakt met de Windows-versie van VictronConnect en is optioneel wanneer u de macOS- of Android-versie gebruikt. Houd er rekening mee dat in het geval van verbinding met een Android-telefoon of -tablet een bijgeleverde „USB-onderweg“-kabel nodig kan zijn.

Om verbinding te maken via USB, hebt u een „VE.Direct-naar-USB-interface” nodig, onderdeelnummer

SS030530000. Gebruik deze interface om de computer aan te sluiten op de SmartShunt.

Voor meer informatie, zie de VictronConnect-handleiding:

<https://www.victronenergy.com/live/victronconnect:start>



6.2 Verbinding maken met een GX-apparaat en VRM

GX-apparaten zijn Victron-apparaten die controle en monitoring bieden voor alle Victron-producten die erop aangesloten zijn. Controle en monitoring kan lokaal worden uitgevoerd, maar ook op afstand via onze gratis monitoringswebsite „Victron Remote Monitoring”, de online VRM-portal.

Voor een overzicht van alle beschikbare GX-apparaten, zie:

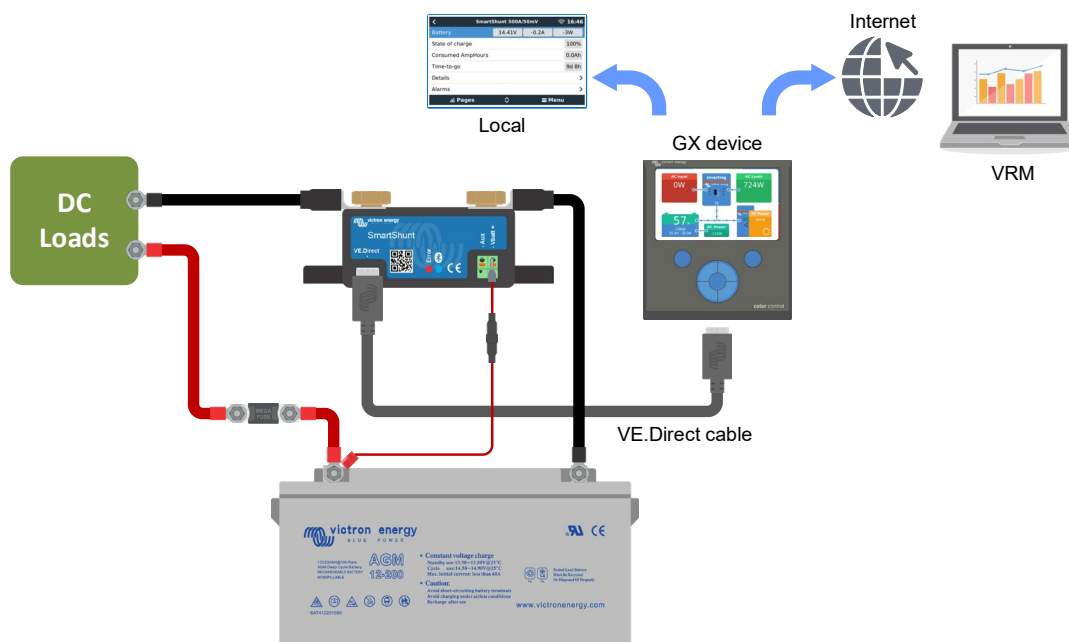
<https://www.victronenergy.com.au/panel-systems-remote-monitoring>.

Voor een link naar de VRM-website, zie: <https://vrm.victronenergy.com>

SmartShunt 500A/50mV		
Battery	14.41V	-0.2A -3W
State of charge	100%	
Consumed AmpHours	0.0Ah	
Time-to-go	9d 8h	
Details	>	
Alarms	>	

De SmartShunt kan worden aangesloten op een GX-apparaat met een VE.Direct-kabel, onderdeelnummer ASS03053xxxx. De VE.Direct-kabels zijn verkrijgbaar in lengtes variërend van 0,3 tot 10 meter en zijn verkrijgbaar met rechte of haakse stekkers. De SmartShunt kan in plaats van gebruik van een VE.Direct-kabel ook verbinding maken met het GX-apparaat via de VE.Direct-naar-USB-interface.

Eenmaal aangesloten, kan het GX-apparaat worden gebruikt om alle gemonitorde accuparameters uit te lezen.



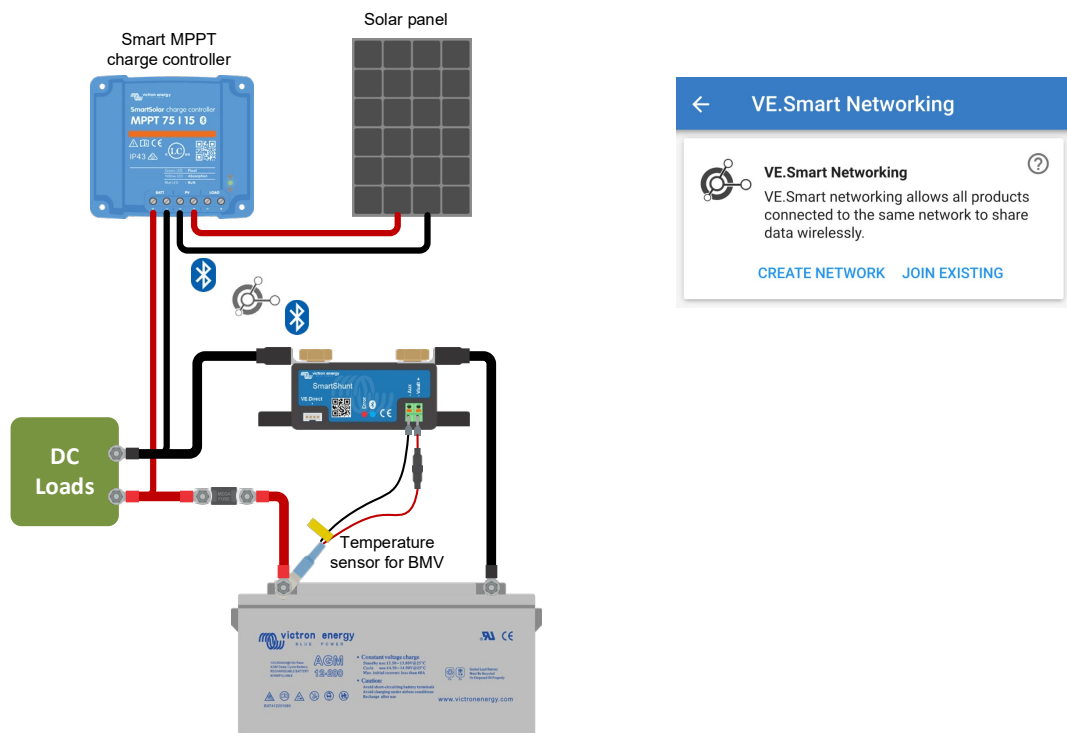
6.3 Verbinding maken met het VE.Smart-netwerk

Het VE.smart-netwerk is een draadloos netwerk waarmee een aantal Victron-producten via Bluetooth informatie kunnen uitwisselen. De SmartShunt kan de accu spanning en -temperatuur (optionele temperatuursensor nodig) delen met het VE.Smart-netwerk.

Bijvoorbeeld: Een VE.smart-netwerk met een SmartSolar-zonnelader, temperatuursensor en een MPPT-zonnelader ontvangt informatie over de accu spanning en temperatuur van de SmartShunt en gebruikt deze informatie om de laadparameters te optimaliseren. Dit verbetert de oplaad efficiëntie en verlengt de levensduur van de accu.

Om de SmartShunt onderdeel te maken van een VE.Smart-netwerk, dient u ofwel een netwerk aan te maken of het aan te sluiten op een bestaand netwerk. De instelling is te vinden via: SmartShunt settings > Smart Networking. Raadpleeg de handleiding van het VE.Smart-netwerk voor meer informatie:

<https://www.victronenergy.com/live/victronconnect:ve-smart-networking>



6.4 Aangepaste integratie (programmering vereist)

De VE.Direct-communicatiepoort kan worden gebruikt om gegevens te lezen en instellingen te wijzigen. Het VE.Direct-protocol is uiterst eenvoudig te implementeren. Het verzenden van gegevens naar de SmartShunt is niet nodig voor eenvoudige toepassingen: de SmartShunt verzendt elke seconde automatisch alle metingen.

Alle details worden uitgelegd in het document:

https://www.victronenergy.com/upload/documents/Whitepaper-Data-communication-with-Victron-Energy-products_EN.pdf

7 ALLE FUNCTIES EN INSTELLINGEN

7.1 Accu-instellingen

Deze instellingen kunnen worden gebruikt om de SmartShunt af te stemmen. Wees voorzichtig wanneer u deze instellingen wijzigt, omdat een wijziging van invloed zal zijn op de berekening van de SmartShunt-oplaadstatus.

7.1.1 Accucapaciteit

Deze parameter wordt gebruikt om de SmartShunt te vertellen hoe groot de accu is. Deze instelling zou al moeten zijn uitgevoerd tijdens de eerste installatie van de SmartShunt.

De instelling van de accucapaciteit wordt uitgedrukt in ampère-uur (Ah). Voor meer informatie, zie hoofdstuk 8: „Battery capacity and Peukert exponent”.

Standaardinstelling	Bereik	Stapgrootte
200 Ah	1 — 9999 Ah	1 Ah

7.1.2 Spanning bij opgeladen

De accuspanning moet boven dit spanningsniveau liggen om de accu als volledig opgeladen te beschouwen. Zodra de SmartShunt detecteert dat de spanning van de accu de „spanning bij opgeladen”, heeft bereikt en de stroom gedurende een bepaalde tijd onder de staartstroom is gedaald, stelt de SmartShunt de oplaadstatus in op 100%.

Standaardinstelling	Bereik	Stapgrootte
0 V	0 – 95 V	0,1 V

De parameter „spanning bij opgeladen” moet ingesteld worden op 0.2 V of 0.3 V onder de druppellaadspanning van de acculader. Het is ook mogelijk om de aanbevolen instellingen van de tabel hieronder aan te houden.

Aanbevolen instellingen voor loodzuuraccu's:

Nominale accuspanning	Instelling „spanning bij opgeladen”
12 V	13,2 V
24 V	26,4 V
36 V	39,6 V
48 V	52,8 V

7.1.3 Ontladingslimiet

De parameter „ontladingslimiet” wordt gebruikt voor de berekening van de resterende tijd. De resterende tijd is de tijd die nodig is totdat de ingestelde „ontladingslimiet” is bereikt.

Standaardinstelling	Bereik	Stapgrootte
50%	0 - 99%	1%

7.1.4 Staartstroom

De accu wordt beschouwd als „volledig opgeladen” zodra de laadstroom is gedaald tot minder dan de ingestelde „staartstroom”. De parameter „staartstroom” wordt uitgedrukt als een percentage van de accucapaciteit.

Opmerking: Sommige acculaders stoppen met opladen wanneer de stroom onder een ingestelde drempel daalt. In dat geval moet de staartstroom hoger worden ingesteld dan de drempelwaarde.

Zodra de SmartShunt detecteert dat de spanning van de accu de „spanning bij opgeladen” heeft bereikt en de stroom gedurende een bepaalde tijd onder de „staartstroom” is gedaald, stelt de SmartShunt de oplaadstatus in op 100%.

Standaardinstelling	Bereik	Stapgrootte
4,00%	0,50 – 10,00%	0,1%

7.1.5 Detectietijd bij opgeladen

Dit is het moment dat aan de „spanning bij opgeladen” en „staartstroom” moet worden voldaan zodat de accu volledig is opgeladen.

Standaardinstelling	Bereik	Stapgrootte
3 minuten	0 — 100 minuten	1 minuut

7.1.6 Peukert-exponent

Als dit niet bekend is, is het raadzaam om deze waarde op 1.25 te houden (standaard) voor loodzuuraccu's en voor Li-ion-accu's over te schakelen naar 1,05. Bij een waarde van 1,00 schakelt de Peukert-compensatie uit. Voor meer informatie, zie hoofdstuk 8: “Battery capacity and Peukert exponent”

Standaardinstelling	Bereik	Stapgrootte
1.25	1,00 – 1,50	0,01

7.1.7 Laadefficiëntiefactor

De „laadefficiëntiefactor” compenseert de capaciteitverliezen (Ah) tijdens het opladen. Een instelling van 100% betekent dat er geen verliezen zijn.

Standaardinstelling	Bereik	Stapgrootte
95%	50 – 100%	1%

De laadefficiëntie van een loodzuuraccu is bijna 100% zolang er geen gasproductie plaatsvindt. Gasvorming betekent dat een deel van de laadstroom niet wordt omgezet in chemische energie, die wordt opgeslagen in de platen van de accu, maar wordt gebruikt om water om te zetten in zuurstof en waterstofgas (zeer explosief!). De energie die in de accuplatten wordt opgeslagen, kan bij de volgende ontlading worden teruggewonnen, terwijl de energie die wordt gebruikt om water om te zetten verloren gaat.

Gasvorming kan gemakkelijk worden waargenomen in natte accu's. Houd er rekening mee dat het „alleen zuurstof”-einde van de laadfase van verzegelde (VRLA) gel- en AGM-accu's ook leidt tot een lagere laadefficiëntie.

Een laadefficiëntie van 95% betekent dat er 10 Ah moet worden overgebracht naar de accu om daadwerkelijk 9,5 Ah in de accu te op te slaan. De laadefficiëntie van een accu is afhankelijk van het accutype, de leeftijd en het gebruik. De SmartShunt houdt bij dit fenomeen rekening met de laadefficiëntiefactor.

7.1.8 Stroomdrempel

Wanneer de gemeten stroom onder de waarde „stroomdrempel” valt, wordt deze als nul beschouwd. De „stroomdrempel” wordt gebruikt om zeer kleine stromen op te heffen die een negatieve invloed kunnen hebben op de uitlezing van de oplaadstatus op lange termijn in omgevingen met ruis. Als de werkelijke langetermijnstroom bijvoorbeeld 0,0 A is en, als gevolg van binnenkomende ruis of kleine verschuivingen, de accumonitor 0,05 A meet, kan de SmartShunt op de lange termijn op onjuiste wijze aangeven dat de accu leeg is of moet worden opgeladen. Wanneer de huidige drempel in dit voorbeeld is ingesteld op 0,1 A, berekent de SmartShunt het met 0,0 A zodat fouten worden geëlimineerd.

Bij een waarde van 0,0 A schakelt deze functie uit.

Standaardinstelling	Bereik	Stapgrootte
0,10 A	0,00 — 2,00 A	0,01 A

7.1.9 Gemiddelde „resterende tijd”

De gemiddelde „resterende tijd” specificeert het tijdvenster (in minuten) waarin het filter voor het berekenen van het gemiddelde werkt. De waarde 0 schakelt het filter uit en geeft een realtime uitlezing. De weergegeven waarde „resterende tijd” kan echter sterk fluctueren. Het selecteren van de langste tijd, 12 minuten, zorgt ervoor dat alleen langdurige belastingsschommelingen worden opgenomen in de berekening van de „resterende tijd”.

Standaardinstelling	Bereik	Stapgrootte
3 minuten	0 — 12 minuten	1 minuut

7.1.10 Accu start gesynchroniseerd op

De accustatus is 100% nadat de SmartShunt is ingeschakeld. Wanneer de functie op AAN staat, zal de SmartShunt zichzelf als gesynchroniseerd beschouwen, wat zal resulteren in een oplaadstatus van 100%. Als het op UIT staat, zal de SmartShunt zichzelf als niet-gesynchroniseerd beschouwen, wat resulteert in een onbekende oplaadstatus tot de eerste werkelijke synchronisatie.

Standaardinstelling	Bereik
AAN	AAN/UIT

Houd er rekening mee dat er situaties kunnen optreden waarin speciale aandacht nodig is op het moment dat u deze functie op AAN instel. Deze situaties doen zich voor in systemen waarbij de accu vaak losgekoppeld wordt van de SmartShunt, bijvoorbeeld op een boot. Wanneer u de boot verlaat en het gelijkstroomsysteem loskoppelt via de hoofdstroomonderbreker terwijl op dat moment de accu's bijvoorbeeld voor 75% zijn opgeladen. Bij terugkeer naar de boot wordt het gelijkstroomsysteem opnieuw aangesloten en de SmartShunt zal nu 100% aangeven. Dit geeft een valse indruk dat de accu's volledig opgeladen is, terwijl ze in werkelijkheid gedeeltelijk ontladen zijn.

Er zijn twee manieren om dit op te lossen: één is om de SmartShunt niet los te koppelen wanneer de accu's gedeeltelijk leeg zijn of als alternatief kunt u de functie „accustartsynchronisatie” uitschakelen. Wanneer de SmartShunt nu opnieuw is aangesloten, wordt de laadstatus „—” weergegeven en zal deze pas op 100% staan als de accu's volledig zijn opgeladen. Houd er rekening mee dat een wanneer een loodzuuraccu gedurende een langere tijd in een gedeeltelijk ontladen toestand blijft, dit schade kan veroorzaken.

7.1.11 Oplaadstatus

Met deze instelling kunt u handmatig de oplaadstatuswaarde instellen. Deze instelling is pas actief nadat de SmartShunt tenminste eenmaal is gesynchroniseerd. Automatisch of handmatig.

Standaardinstelling	Bereik	Stapgrootte
--%	0.0 - 100%	0,1%

7.1.12 SoC synchroniseren naar 100%

Deze optie kan worden gebruikt om de SmartShunt handmatig te synchroniseren. Druk op de knop „Synchroniseren” om de SmartShunt te synchroniseren naar 100%. Voor meer informatie, zie paragraaf 5.3.2: „Manual synchronisation”.

7.1.13 Nulstroomkalibratie

Als de SmartShunt een niet-nulstroom leest, zelfs als er geen belasting is en de accu niet wordt opgeladen, kan deze optie worden gebruikt om de nulwaarde te kalibreren.

Zorg ervoor dat er geen stroom van of naar de accu stroomt. Doe dit door de kabel los te koppelen tussen de belasting en de SmartShunt en druk op de knop „kalibreren” om een nulstroomkalibratie uit te voeren.

7.2 Alarminstellingen

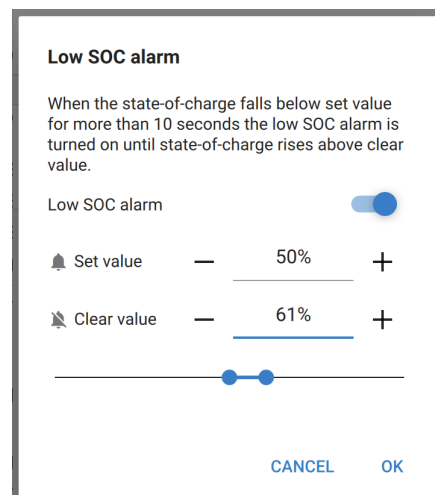
Houd er rekening mee dat de SmartShunt niet is uitgerust met een zoemer of een alarmrelais zoals de BMV-serie. De gegenereerde alarmmeldingen zijn alleen zichtbaar op de VictronConnect-app terwijl ze verbonden zijn met de SmartShunt of worden gebruikt om een alarmsignaal naar een GX-apparaat te sturen.

7.2.1 SoC-alarminstelling

Wanneer ingeschakeld, wordt het alarm geactiveerd op het moment dat de oplaadstatus langer dan 10 seconden lager dan de ingestelde waarde is. Het alarm wordt uitgeschakeld wanneer de oplaadstatus boven de ingestelde waarde uitkomt.

Standaardinstelling	Bereik
Uitgeschakeld	Uitgeschakeld/ingeschakeld

Wanneer ingeschakeld	Standaardinstelling		
Waarde instellen	1%	0 – 100%	1%
Ingestelde waarde	2%	0 – 100%	1%



7.2.2 Alarm bij lage spanning

Wanneer ingeschakeld, wordt het alarm geactiveerd op het moment dat de accuspanning langer dan 10 seconden lager dan de ingestelde waarde is. Het alarm wordt uitgeschakeld wanneer de accuspanning boven de ingestelde waarde komt.

Standaardinstelling	Bereik
Uitgeschakeld	Uitgeschakeld/ingeschakeld

Wanneer ingeschakeld	Standaardinstelling		
Waarde instellen	1,0V	0 - 95.0V	0,1V
Ingestelde waarde	1,1V	0 - 95.0V	0,1V

7.2.3 Alarm bij hoge spanning

Wanneer ingeschakeld, wordt het alarm geactiveerd op het moment dat de accuspanning langer dan 10 seconden hoger dan de ingestelde waarde is. Het alarm wordt uitgeschakeld wanneer de accuspanning onder de ingestelde waarde daalt.

Standaardinstelling	Bereik
Uitgeschakeld	Uitgeschakeld/ingeschakeld

Wanneer ingeschakeld	Standaardinstelling		
Waarde instellen	1,1V	0 - 95.0V	0,1V
Ingestelde waarde	1,0V	0 - 95.0V	0,1V

7.2.4 Alarm bij lage startspanning

Deze instelling is alleen beschikbaar als de Aux-ingang is ingesteld op „startaccu“.

Wanneer ingeschakeld, wordt het alarm geactiveerd op het moment dat de startaccuspanning langer dan 10 seconden lager dan de ingestelde waarde is. Het alarm wordt gedeactiveerd wanneer de spanning van de startaccu boven de ingestelde waarde stijgt.

Standaardinstelling	Bereik
Uitgeschakeld	Uitgeschakeld/ingeschakeld

Wanneer ingeschakeld	Standaardinstelling		
Waarde instellen	1,0V	0 - 95.0V	0,1V
Ingestelde waarde	1,1V	0 - 95.0V	0,1V

7.2.5 Alarm bij hoge startspanning

Deze instelling is alleen beschikbaar als de Aux-ingang is ingesteld op „startaccu“.

Wanneer ingeschakeld, wordt het alarm geactiveerd op het moment dat de startaccuspanning langer dan 10 seconden hoger dan de ingestelde waarde is. Het alarm wordt gedeactiveerd wanneer de spanning van de startaccu onder de ingestelde waarde daalt.

Standaardinstelling	Bereik
Uitgeschakeld	Uitgeschakeld/ingeschakeld

Wanneer ingeschakeld	Standaardinstelling		
Waarde instellen	1,1V	0 - 95.0V	0,1V
Ingestelde waarde	1,0V	0 - 95.0V	0,1V

7.2.6 Alarm bij middelpuntafwijking

Deze instelling is alleen beschikbaar als de Aux-ingang is ingesteld op „middelpunt“.

Wanneer ingeschakeld, wordt het alarm geactiveerd op het moment dat de gemiddelde spanningsafwijking langer dan 10 seconden hoger dan de ingestelde waarde is. Het alarm wordt gedeactiveerd wanneer de afwijking van de middelpuntspanning onder de ingestelde waarde daalt.

Standaardinstelling	Bereik
Uitgeschakeld	Uitgeschakeld/ingeschakeld

Wanneer ingeschakeld	Standaardinstelling		
Waarde instellen	2%	0 - 99%	1%
Ingestelde waarde	1%	0 - 99%	1%

7.2.7 Alarm bij hoge temperatuur

Deze instelling is alleen beschikbaar als de aux-ingang is ingesteld op „temperatuur“.

Wanneer ingeschakeld wordt het alarm geactiveerd op het moment dat de accutemperatuur langer dan 10 seconden hoger dan de ingestelde waarde is. Het alarm wordt uitgeschakeld wanneer de accutemperatuur onder de ingestelde waarde daalt.

Standaardinstelling	Bereik
Uitgeschakeld	Uitgeschakeld/ingeschakeld

Wanneer ingeschakeld	Standaardinstelling	Bereik	Stapgrootte
Waarde instellen	2°C (2 °F)	-99 - +99°C (-146 - +210°F)	1°C (1°F)
Ingestelde waarde	1°C (2 °F)	-99 - +99°C (-146 - +210°F)	1°C (1°F)

7.2.8 Alarm bij lage temperatuur

Deze instelling is alleen beschikbaar als de aux-ingang is ingesteld op „temperatuur”. Wanneer ingeschakeld, wordt het alarm geactiveerd op het moment de accutemperatuur langer dan 10 seconden lager dan de ingestelde waarde is. Het alarm wordt uitgeschakeld wanneer de accutemperatuur boven de ingestelde waarde stijgt.

Standaardinstelling	Bereik
Uitgeschakeld	Uitgeschakeld/ingeschakeld

Wanneer ingeschakeld	Standaardinstelling	Bereik	Stapgrootte
Waarde instellen	2°C (2°F)	-99 - +99°C (-146 - +210 °F)	1°C (1°F)
Ingestelde waarde	1°C (2°F)	-99 - +99°C (-146 - +210 °F)	1°C (1°F)

7.3 Diverse instellingen

7.3.1 Aux-ingang

Deze configuratie stelt de functie van de Aux-ingang in. Selecteer tussen: Startaccu, middelpunt, of temperatuur

Standaardinstelling	Bereik
Startaccu	Startaccu/Middelpunt/Temperatuur

7.3.2 Temperatuurcoëfficiënt

Deze instelling is alleen beschikbaar nadat de Aux-ingangsconfiguratie is ingesteld op „temperatuur”.

De beschikbare accucapaciteit neemt af met de temperatuur. Meestal is de reductie, vergeleken met de capaciteit bij 20 °C, 18% bij 0 °C en 40% bij -20 °C.

De temperatuurcoëfficiënt is het percentage dat de accucapaciteit verandert wanneer de temperatuur daalt tot minder dan 20 °C (boven 20 °C is de invloed van de temperatuur op de capaciteit relatief laag en wordt dan niet in acht genomen). De eenheid van deze waarde is „%cap/°C” ofwel percentage capaciteit per graad Celsius. De typische waarde (lager dan 20 °C) is 1% cap/°C voor loodzuuraccu's en 0,5% cap/°C voor LFP-accu's.

Standaardinstelling	Bereik	Stapgrootte
0,0% cap/ °C	0 - 2,0% cap/ °C	0,1% cap/ °C
0,0% cap/ °F	0 - 3,6% cap/ °F	0,1% cap/ °F

7.4 Instelling temperatuureenheid

Deze instelling is te vinden in de configuratie van de VictronConnect-app zelf. Verlaat SmartShunt door op de ← pijl te klikken. Dit brengt u terug naar de apparatenlijst van de VictronConnect-app. Klik op het ≡ menupictogram en klik vervolgens op het ⚙ instellingspictogram. Hier kunt u de „weergave van de temperatuureenheid” selecteren. Als u Celsius selecteert, wordt de temperatuur in °C weergegeven en als u Fahrenheit selecteert, wordt de temperatuur in °F weergegeven.

Standaardinstelling	Bereik
Celsius	Celsius/Fahrenheit

7.5 Productinstellingen

Om toegang te krijgen tot deze instellingen, klikt u op het instellingspictogram ⚙ en vervolgens op het menupictogram ≡.

7.5.1 Resetten naar fabrieksinstellingen

Om alle instellingen terug te zetten naar de fabrieksinstellingen selecteert u „resetten naar fabrieksinstellingen”. Houd er rekening mee dat dit alleen alle instellingen terugzet naar hun standaardinstellingen, de geschiedenis wordt niet gereset.

7.5.2 Aangepaste naam

In het scherm SmartShunt-productinformatie kunt u de naam van de SmartShunt wijzigen. Het heeft standaard de productnaam. Een meer toepasselijke naam kan echter nodig zijn. Vooral als u meerdere SmartShunts in de nabijheid van elkaar gebruikt, kan het verwarrend worden met welke SmartShunt u communiceert. U kunt bijvoorbeeld identificatienummers toevoegen aan hun naam, zoals: SmartShunt A, SmartShunt B enzovoort.

7.5.3 Firmware

Zowel de SmartShunt als de Bluetooth-interface draaien op firmware. Af en toe is er een nieuwere firmwareversie beschikbaar. Nieuwe firmware wordt vrijgegeven om functies toe te voegen of om een bug op te lossen. In het productoverzicht van zowel de SmartShunt als de Bluetooth-interface-items wordt het firmwarentnummer weergegeven. Het geeft ook aan of de firmware de nieuwste versie is en er is een knop om de firmware te updaten.

Bij de eerste installatie wordt het altijd aanbevolen om de meest recente firmware te downloaden (indien beschikbaar). Wanneer u verbinding maakt met de SmartShunt met een „geüpdate” versie van VictronConnect, wordt de firmware gecontroleerd en wordt u gevraagd om firmware te updaten als er een nieuwere versie beschikbaar is. VictronConnect bevat de actuele firmware-bestanden, dus een internetverbinding is niet nodig om te updaten naar de meest recente firmware, zolang u de meest actuele versie van VictronConnect gebruikt. Een firmware-update is niet verplicht. Als u ervoor kiest om de firmware niet te updaten, kunt u alleen de SmartShunt uitlezen, maar u kunt de instellingen niet wijzigen. Instellingen kunnen alleen worden gewijzigd als de SmartShunt op de meest recente firmware wordt uitgevoerd.

7.5.4 Pincode wijzigen

Via de SmartShunt-interface kan de pincode gewijzigd worden.

7.5.5 Bluetooth uitschakelen en opnieuw inschakelen

Bluetooth is standaard ingeschakeld in de SmartShunt. Als Bluetooth niet gewenst is, kan het worden uitgeschakeld. Dit kan gedaan worden met de Bluetooth-schakelaar in de productinstellingen.

Het uitschakelen van Bluetooth kan bijvoorbeeld om veiligheidsredenen zijn, of om ongewenste overdracht van de SmartShunt te elimineren.

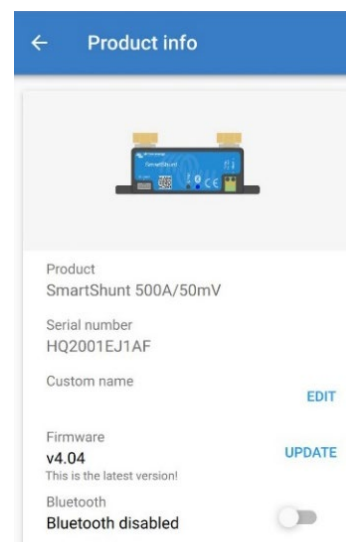
Zodra Bluetooth is uitgeschakeld, is de enige manier om met de SmartShunt te communiceren via de VE.Direct-poort.

Dit gebeurt via de USB-naar-VE.Direct-interface of via een GX-apparaat aangesloten op de SmartShunt via een VE.Direct-kabel of de USB-naar-VE.Direct-interface. Voor meer informatie, zie hoofdstuk 6: „Interfacing”.

Bluetooth kan opnieuw worden ingeschakeld door verbinding te maken met de SmartShunt met VictronConnect via de VE.Direct — USB-interface. Eenmaal verbonden kunt u naar het productinstellingenmenu navigeren en Bluetooth opnieuw inschakelen.


7.5.6 Serienummer

Het serienummer is te vinden onder SmartShunt-productinformatie of op het etiket met productinformatie op de SmartShunt.




7.6 Instellingen opslaan, laden en delen

In het instellingenmenu vindt u de volgende 3 symbolen:

 **Instellingen opslaan in een bestand** - Hiermee worden instellingen opgeslagen voor referentie of later gebruik.

 **Instellingen laden uit bestand** — Dit laadt de eerder opgeslagen instellingen.

 **Deel instellingenbestand** — Hiermee kunt u het instellingenbestand delen via e-mail, bericht, airdrop enz. De beschikbare opties voor het delen zijn afhankelijk van het gebruikte platform.


Zie de VictronConnect-handleiding voor meer informatie over deze functies:

<https://www.victronenergy.com/live/victronconnect:start>

7.7 Geschiedenis resetten

Deze instelling kunt u onder aan in het tabblad Geschiedenis vinden. Houd er rekening mee dat geschiedenisgegevens een belangrijk hulpmiddel is om de prestatie van de accu bij te houden en het dat het ook nodig is voor het uitvoeren van een diagnose in het geval van problemen met de accu. Wis de geschiedenis niet, tenzij de accubank wordt vervangen.

7.8 Pincode resetten

Deze instelling is te vinden in de configuratie van de VictronConnect-app zelf. Verlaat SmartShunt door op de ← pijl te klikken. Dit brengt u terug naar de apparatenlijst van de VictronConnect-app. Klik nu op het  menupictogram naast de SmartShunt-lijst.

Er wordt een nieuw venster geopend waarmee u de pincode terug kunt zetten naar de standaardinstelling: 000000. Om de pincode te kunnen resetten, moet u de unieke SmartShunt PUK-code invoeren. De PUK-code staat afgedrukt op het productinformatie-etiket op de SmartShunt.

8 ACCUCAPACITEIT EN PEUKERT-EXPONENT

Accucapaciteit wordt uitgedrukt in ampère-uur (Ah) en geeft aan hoeveel stroom een accu kan leveren per uur. Als bijvoorbeeld een 100Ah-accu wordt ontladen met een constante stroom van 5 A, wordt de accu binnen 20 uur volledig ontladen.

De snelheid waarmee een accu wordt ontladen, wordt uitgedrukt als de C-snelheid. De C-snelheid geeft aan hoeveel uur een accu met een bepaalde capaciteit meegaat. 1C is de 1h-snelheid en betekent dat de ontladestroom de hele accu binnen 1 uur zal ontladen. Voor een accu met een capaciteit van 100 Ah komt dit overeen met een ontladestroom van 100 A. Een 5C-snelheid voor deze accu betekent 500 A gedurende 12 minuten (1/5 uur), en een C5-snelheid betekent 20 A gedurende 5 uur.

De capaciteit van een accu is afhankelijk van de ontladingsnelheid. Hoe sneller de ontladingsnelheid, hoe lager de capaciteit. De relatie tussen langzame of snelle ontlading kan door de wet van Peukert worden berekend en wordt uitgedrukt met behulp van het Peukert-exponent. Sommige chemische samenstellingen lijden meer onder dit fenomeen dan andere. Loodzuur wordt hier meer door beïnvloed dan lithiumaccu's. De SmartShunt houdt bij dit fenomeen rekening met de Peukert-exponent.

Voorbeeld ontladingsnelheid

Een loodzuuraccu heeft een nominale waarde van 100 Ah bij C20, dit betekent dat deze accu gedurende 20 uur een totale stroom van 100 A kan leveren met een snelheid van 5 A per uur. $C20 = 100 \text{ Ah} (5 \times 20 = 100)$. Wanneer dezelfde 100Ah-accu in twee uur volledig wordt ontladen, wordt de capaciteit aanzienlijk verminderd. Vanwege de hogere mate van ontlading, kan het alleen C2 = 56Ah leveren.

Peukerts formule

De waarde die kan worden aangepast in Peukerts formule is exponent n: zie onderstaande formule. In de SmartShunt kan de Peukert-exponent worden aangepast van 1,00 tot 1,50. Hoe hoger de Peukert-exponent des te sneller de effectieve capaciteit 'krimpt' met een toenemende ontlading. Een ideale (theoretische) accu heeft een Peukert-exponent van 1,00 en heeft een vaste capaciteit ongeacht de grootte van de ontladestroom. De standaardinstelling in de SmartShunt voor de Peukert-exponent is 1.25. Dit is een acceptabele gemiddelde waarde voor de meeste loodzuuraccu's.

Peukerts vergelijking wordt hieronder weergegeven:

$$C_p = I^n \times t \quad \text{waarbij Peukerts exponent n is:} \quad C_p = I^n \times t \quad \text{where Peukert's exponent n is:}$$

$$n = \frac{\log t_2 - \log t_1}{\log I_1 - \log I_2}$$

Voor het berekenen van de Peukert-exponent heeft u twee nominale accucapaciteiten nodig. Dit is meestal de 20h-ontladingsnelheid en de 5h-snelheid, maar kan ook de 10h en 5h, of de 20h en de 10h-snelheid. Gebruik idealiter een lage ontladingsnelheid samen met een aanzienlijk hogere snelheid. De accucapaciteitsnelheden zijn te vinden in het informatieblad van de accu. Neem bij twijfel contact op met uw acculeverancier.

Berekeningsvoorbeeld met behulp van de 5h en de 20h-snelheid

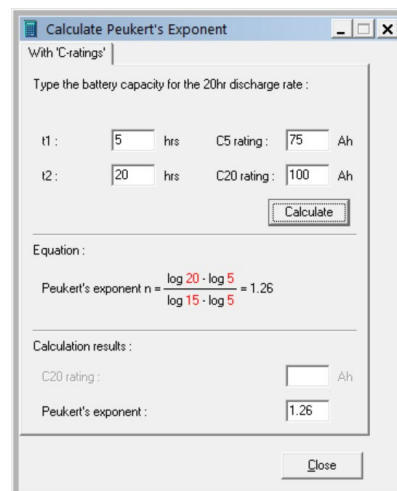
De C5-snelheid is 75 Ah. De t_1 -snelheid is 5 h en I_1 wordt berekend: $I_1 = \frac{75Ah}{5h} = 25A$

De C20-snelheid is 100 Ah. De t_2 -snelheid is 20 h en I_2 wordt berekend: $I_2 = \frac{100Ah}{20h} = 5A$

De Peukert-exponent is: $n = \frac{\log 20 - \log 5}{\log 15 - \log 5} = 1.26$

Een Peukert-calculator is beschikbaar op <http://www.victronenergy.com/support-and-downloadssoftware/>

Houd er rekening mee dat de Peukert-exponent niet meer dan een benadering van de werkelijkheid is, en dat accu's bij zeer hoge stromen mogelijk minder capaciteit zullen leveren dan voorspeld van een vast exponent. We raden aan om de standaardwaarde in de SmartShunt niet te wijzigen, behalve in het geval van lithiumaccu's.



9 MONITORING VAN DE MIDDELPUNTSPANNING

Een defecte cel of een defecte accu kan een grote, dure accubank vernietigen.

Een kortsluiting of hoge interne lekstroom in een cel kan bijvoorbeeld leiden tot onderlading van die cel en overbelasting van de andere cellen. Zo kan een defecte accu in een 24V- of 48V-bank van meerdere serie/parallel aangesloten 12V-accu's de hele bank vernietigen.

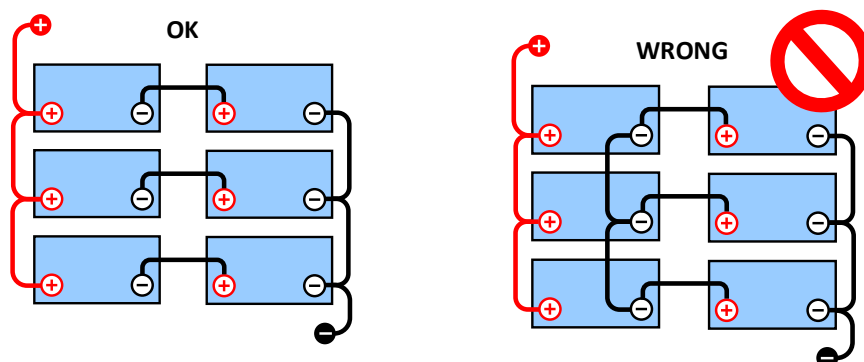
Bovendien, wanneer nieuwe cellen of accu's in serie zijn aangesloten, moeten ze allemaal dezelfde initiële oplaadstatus hebben. Kleine verschillen worden geëlimineerd tijdens absorptie- of egaliserend opladen, maar grote verschillen zullen leiden tot schade tijdens het opladen als gevolg van overmatige gasvorming van de cellen of accu's met de hoogste initiële oplaadstatus.

Een tijdig alarm kan worden gegenereerd door de middelpuntspanning van de accubank te monitoren (d.w.z. door de spanning van de reeks in tweeën te splitsen en de spanning van de twee reekshelften te vergelijken). De middelpuntafwijking zal klein zijn wanneer de accubank niet wordt belast, en zal toenemen:

- Aan het einde van de bulkfase tijdens het opladen (de spanning van goed geladen cellen zal snel toenemen terwijl achterblijvende cellen verder opgeladen moeten worden).
- Bij het ontladen van de accubank, totdat de spanning van de zwakste cellen snel begint te dalen.
- Bij hoge laad- en ontladingsnelheden.

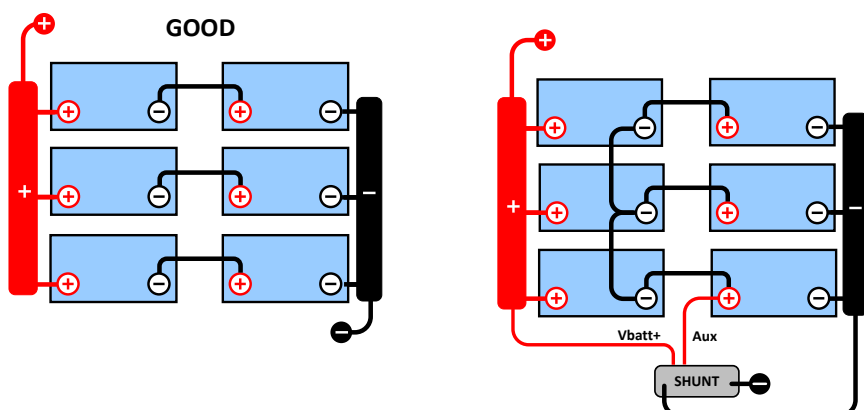
9.1 Accubank en middelpuntbedradingschema's

9.1.1 Middelpunt aansluiten en monitoren in een 24V-accubank



Door de spanningsval in de positieve en de negatieve kabels is de middenpuntsspanning niet identiek.

Bij een niet-gemonitorde accubank mogen de middelpunten niet met elkaar verbonden zijn. Een defecte

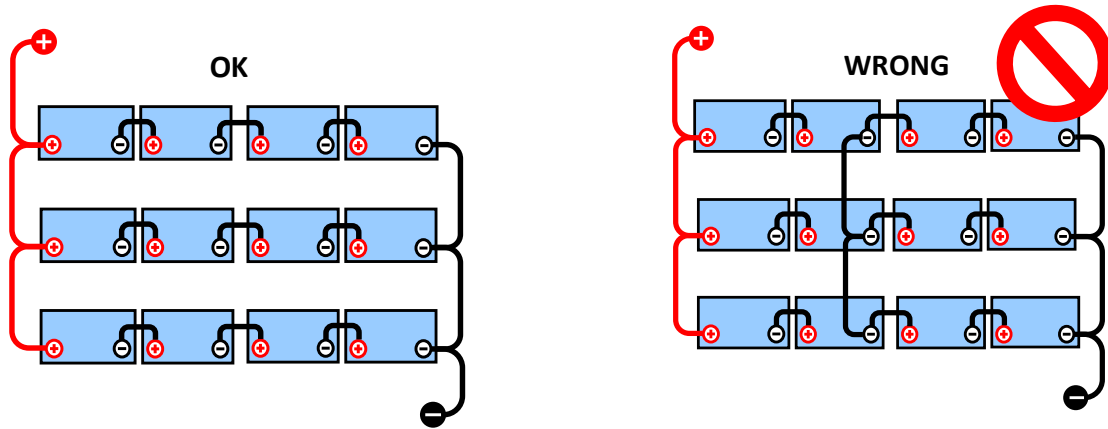


accubank kan onopgemerkt blijven en kan alle andere accu's beschadigen.

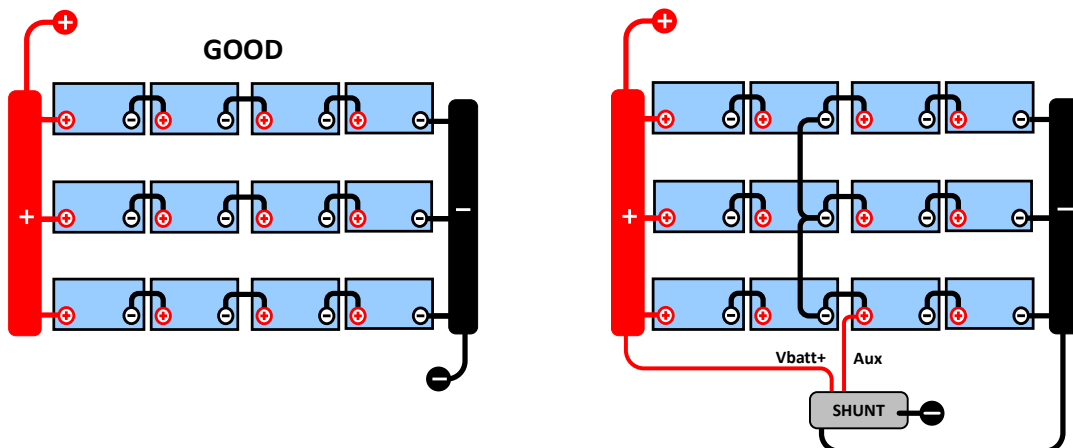
Gebruik altijd busbars bij het monitoren van middelpuntspanning. De kabels naar de busbars moeten allemaal van dezelfde lengte zijn.

Middelpunten kunnen alleen worden aangesloten als er corrigerende maatregelen worden genomen in geval van een alarm.

9.1.2 Middelpunten aansluiten en bewaken in een 48V-accubank



Door de spanningsval in de positieve en de nul-kabels is de middenpuntsspanning niet identiek.



Bij een niet-gemonitorde accubank mogen de middelpunten niet met elkaar verbonden worden. Een defecte accubank kan onopgemerkt blijven en kan alle andere accu's beschadigen.

Gebruik altijd busbars bij het monitoren van middenpuntsspanning. De kabels naar de busbars moeten allemaal van dezelfde lengte zijn.

Middelpunten kunnen alleen worden aangesloten als er corrigerende maatregelen worden genomen in geval van een alarm.

9.2 Berekening van de afwijking van het middelpunt

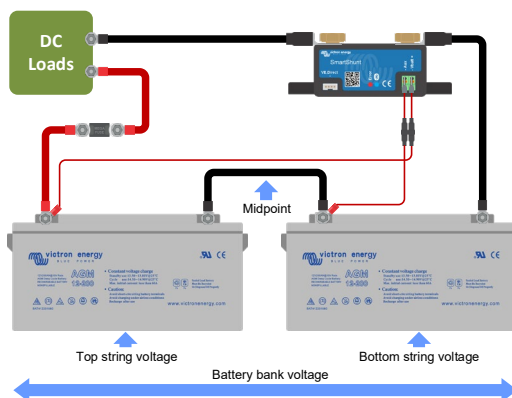
De SmartShunt meet het middelpunt en berekent vervolgens de afwijking in een percentage van wat het middelpunt zou moeten zijn.

$$Deviation = \frac{100 \times (top\ string\ voltage - bottom\ string\ voltage)}{battery\ voltage}$$

$$d = \frac{100 \times (V_t - V_b)}{V}$$

waar:

d de afwijking in % is
 V_t is de bovenste reeksspanning
 V_b is de onderste reeksspanning
 V is de spanning van de accu (V = V_t + V_b)



9.3 Het alarmniveau instellen

In het geval van VRLA (gel of AGM)-accu's, zal gasvorming als gevolg van overladen de elektrolyt uitdrogen, waardoor de interne weerstand toeneemt en uiteindelijk leidt tot onomkeerbare schade. Vlakke plaat VRLA accu's beginnen water te verliezen wanneer de laadspanning de 15 V nadert (12V-accu). Met inbegrip van een veiligheidsmarge moet de gemiddelde afwijking daarom tijdens het opladen onder de 2% blijven. Wanneer bijvoorbeeld een 24V-accubank wordt opgeladen bij een absorptiespanning van 28,8 V, zou een gemiddelde afwijking van 2% resulteren in:

$$V_t = \frac{V \times d}{100} + V_b = \frac{V \times d}{100} + V - V_t = V \times \frac{1 + \frac{d}{100}}{2}$$

Daarom:

$$V_t = V \times \frac{1 + \frac{d}{100}}{2} \quad \text{and} \quad V_b = V \times \frac{1 - \frac{d}{100}}{2}$$

$$V_t = 28.8 \times \frac{1 + \frac{2}{100}}{2} \approx 14.7 \quad \text{and} \quad V_b = 28.8 \times \frac{1 - \frac{2}{100}}{2} \approx 14.1$$

Uiteraard zal een middenpuntafwijking van meer dan 2% resulteren in het overladen van de bovenste accu en het onderladen van de onderste accu. Dit zijn twee goede redenen om het alarmniveau in te stellen op niet meer dan d = 2%.

Hetzelfde percentage kan worden toegepast op een 12V-accubank met een 6V-middelpunt.

In het geval van een 48V-accubank bestaande uit 12V serie-aangesloten accu's, wordt de % invloed van één accu op het middelpunt met de helft verminderd. Het middelpuntalarmniveau kan daarom op een lager niveau worden ingesteld.

9.4 Alarmvertraging

Om te voorkomen dat er alarmmeldingen afgaan als gevolg van kortetermijnafwijkingen die een accu niet beschadigen, moet de afwijking de ingestelde waarde overschrijden gedurende 5 minuten voordat het alarm wordt geactiveerd. Een afwijking die de ingestelde waarde overschrijdt met een factor twee of meer, activeert het alarm na 10 seconden.

9.5 Wat te doen in geval van een alarm tijdens het opladen

In het geval van een nieuwe accubank

Het alarm is meestal te wijten aan verschillen in de initiële oplaadstatus van de afzonderlijke accu's. Als de afwijking toeneemt tot meer dan 3% moet u stoppen met het opladen van de accubank en de afzonderlijke accu's of cellen apart opladen. Een andere manier is om de laadstroom naar de accubank aanzienlijk te verminderen. Hierdoor kunnen de accu's na verloop van tijd egaliseren.

Als het probleem zich blijft voordoen na meerdere laad-ontlaadcycli kunt u het volgende doen:

- Ontkoppel in het geval van serie/parallele aansluiting het middelpunt, de parallele aansluitbedrading en meet de individuele middelpuntspanningen tijdens het absorptieopladen om accu's of cellen te isoleren die extra moeten worden opgeladen.
- Laad en test vervolgens alle accu's of cellen afzonderlijk.

In het geval van een oudere accubank die goed heeft gepresteerd in het verleden

Het probleem kan te wijten zijn aan systematische onderlading. In dit geval is frequenter opladen of een egalisatielading nodig. Houd er rekening mee dat alleen natte platte plaat of OPzS-accu's kunnen worden geëgaliseerd. Door beter en regelmatig op te laden wordt het probleem opgelost.

In het geval dat er een of meer defecte cellen zijn:

- Ontkoppel in het geval van serie/parallele aansluiting het middelpunt, de parallele aansluitbedrading en meet de individuele middelpuntspanningen tijdens het absorptieopladen om accu's of cellen te isoleren die extra moeten worden opgeladen.
- Laad en test vervolgens alle accu's of cellen afzonderlijk.

9.6 Wat te doen in geval van een alarm tijdens het ontladen

De afzonderlijke accu's of cellen van een accubank zijn niet identiek en bij het volledig ontladen van een accubank begint de spanning van sommige cellen eerder te dalen dan andere. Het middelpuntalarm zal dus bijna altijd uitgaan aan het einde van een diepe ontlading.

Als het middelpuntalarm veel eerder gaat (en niet tijdens het opladen uitgaat), kunnen sommige batterijen of cellen capaciteit hebben verloren of een hogere interne weerstand hebben ontwikkeld dan andere. De accubank kan het einde van de levensduur hebben bereikt, of er is een fout opgetreden bij een of meer cellen of accu's:

- In geval van serie/parallele verbinding, koppelt u de parallele aansluitbedrading van het middelpunt los en meet u de individuele middelpuntspanningen tijdens het ontladen om defecte accu's of cellen te isoleren.
- Laad en test vervolgens alle accu's of cellen afzonderlijk.

9.7 Battery Balancer

U kunt overwegen een Battery Balancer aan het systeem toe te voegen. De Battery Balancer zal de laadstatus van twee serie aangesloten 12V-accu's, of van meerdere parallele reeksen van serie aangesloten accu's gelijk maken.

Wanneer de laadspanning van een 24V-accusysteem stijgt tot meer dan 27,3 V, gaat de Battery Balancer aan en vergelijkt de spanning over de twee serie aangesloten accu's. De Battery Balancer trekt een stroom van maximaal 0,7 A uit de accu (of parallel aangesloten accu's) met de hoogste spanning. Het resulterende laadstroomverschil zorgt ervoor dat alle accu's convergeren naar dezelfde oplaadstatus. Indien nodig kunnen meerdere balancers parallel worden aangesloten.

Een 48V-accubank kan worden gebalanceerd met drie Battery Balancers, één tussen elke accu.

Zie voor meer informatie het Battery Balancer-informatieblad op de productpagina van de Battery Balancer:

<https://www.victronenergy.com.au/batteries/battery-balancer>

10 PROBLEMEN OPLOSSEN

10.1 Problemen met functionaliteit

10.1.1 Eenheid gaan niet aan, er gaan geen lampjes branden.

Bij de eerste aansluiting moet de blauwe LED op de SmartShunt knipperen. Als dit niet het geval is, controleer dan de zekering in de Vbatt+-kabel, controleer ook de kabel zelf en de aansluitingen.

Houd er rekening mee dat de blauwe LED op de SmartShunt ook uitgeschakeld kan zijn als Bluetooth is uitgeschakeld. De SmartShunt lijkt niet aan te gaan. Zie paragraaf 10.2.1: „Cannot connect via Bluetooth” voor instructies over hoe u dit kunt oplossen.

In het geval er een temperatuursensor wordt gebruikt:

- Het oogje van de temperatuursensor M8-kabel moet worden aangesloten op de pluspool van de accubank (de rode draad van de sensor functioneert ook als de voedingsdraad).
- Controleer de zekering in de fasekabel (rood).
- Zorg ervoor dat de juiste temperatuursensor wordt gebruikt. De MultiPlus-temperatuursensor werkt niet met de SmartShunt.
- Zorg ervoor dat de temperatuursensor op de juiste manier is aangesloten. De rode kabel moet worden aangesloten op de SmartShunt Vbatt+-aansluitklem en de zwarte draad op de Aux-aansluitklem.

Zie paragraaf 3.4.3: „Aux connection for temperature monitoring” voor aansluitinstructies en een bedradingsschema.

10.1.2 Aux-poort werkt niet

Controleer de zekering in de Aux-kabel en controleer ook de kabel zelf en de aansluitingen.

In het geval dat de startaccu wordt gebruikt, zorg er dan voor dat beide accubanken een gemeenschappelijk minpool hebben. Zie paragraaf 3.4.1: „Aux connection for monitoring the voltage of a second battery” voor aansluitinstructies en een bedradingsschema.

In het geval er een temperatuursensor wordt gebruikt:

- Het oogje van de temperatuursensor M8-kabel moet worden aangesloten op de pluspool van de accubank (de rode draad van de sensor functioneert ook als de voedingsdraad).
- Controleer de zekering in de fasekabel (rood).
- Zorg ervoor dat de juiste temperatuursensor wordt gebruikt. De MultiPlus-temperatuursensor werkt niet met de SmartShunt.
- Zorg ervoor dat de temperatuursensor op de juiste manier is aangesloten. De rode kabel moet worden aangesloten op de SmartShunt Vbatt+-aansluitklem en de zwarte draad op de aux-aansluitklem.

Zie paragraaf 3.4.3: „Aux connection for temperature monitoring” voor aansluitinstructies en een bedradingsschema.

10.1.3 Ik kan instellingen niet wijzigen

Instellingen kunnen alleen worden gewijzigd als de SmartShunt draait op de meest actuele firmware. Update naar de nieuwste firmware met de VictronConnect-app.

10.2 Problemen met de verbinding

10.2.1 Ik kan geen verbinding maken via Bluetooth

Het is zeer onwaarschijnlijk dat de Bluetooth-interface van de SmartShunt defect is. Enkele tips om te proberen voordat u ondersteuning zoekt:

- Is de SmartShunt aangeschakeld? Het blauwe licht zou moeten knipperen. Als het blauwe lampje niet knippert, zie paragraaf 10.1.1: „Unit is dead, no lights on”.

- Is er al een andere telefoon of tablet verbonden met de SmartShunt? Dit wordt aangegeven door een blauw licht dat aan blijft staan. Er kan slechts één telefoon of tablet verbonden worden met de SmartShunt. Zorg ervoor dat er geen andere apparaten zijn aangesloten en probeer het opnieuw.
- Is de VictronConnect App geüpdatet?
- Ben je dicht genoeg bij de SmartShunt? In de open ruimte is de maximale afstand ongeveer 20 meter.
- Gebruikt u de Windows-versie van de VictronConnect-app? Deze versie is niet compatibel met Bluetooth. Gebruik in plaats daarvan Android, iOS of macOS (of gebruik de USB-VE.Direct-interface).
- Is Bluetooth uitgeschakeld in de instellingen? Zie paragraaf 7.5.5: „Disabling and re-enabling Bluetooth uitschakelen en opnieuw inschakelen”.

Raadpleeg voor verbindingproblemen het gedeelte voor probleemoplossing van de VictronConnect-handleiding: <https://www.victronenergy.com/live/victronconnect:start>

10.2.2 Pincode verloren

Als u de pincode kwijt bent, moet u de pincode resetten naar de standaard pincode, zie paragraaf 7.5.4: „Changing PIN code”.

Meer informatie en specifieke instructies vindt u in de VictronConnect-handleiding: <https://www.victronenergy.com/live/victronconnect:start>

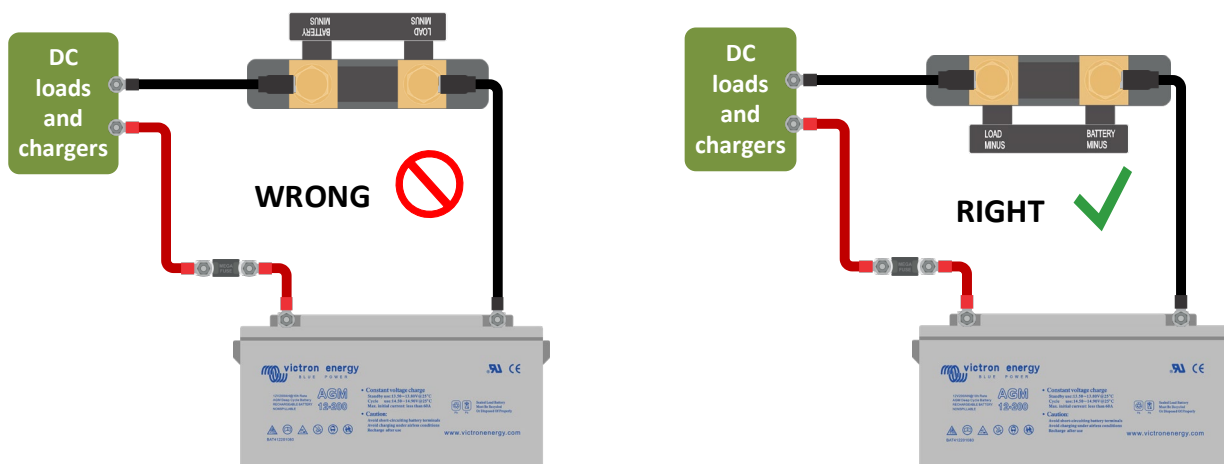
10.3 Onjuiste metingen

10.3.1 Laad- en ontladestroom zijn verwisseld

De laadstroom moet worden weergegeven als een positieve waarde. Bijvoorbeeld: 1,45 A.

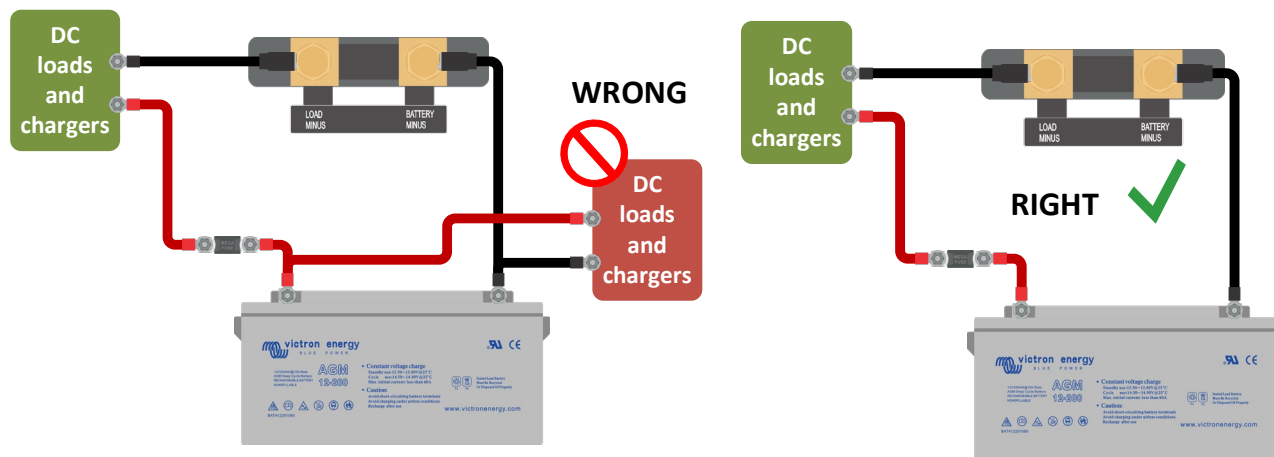
De ontladestroom moet als een negatieve waarde worden weergegeven. Bijvoorbeeld: -1,45 A.

Als de laad- en ontladingsstromen worden omgekeerd, moeten de negatieve stroomkabels op de SmartShunt worden verwisseld. Zie paragraaf 3.3: „Basic electrical connections”.



10.3.2 Onvolledige stroomlezing

De negatieven van alle belastingen en de laadbronnen in het systeem moeten worden aangesloten op de minpool voor belastingen van de SmartShunt. Als minpool van belastingen of laadbronnen rechtstreeks op de negatieve accu-aansluiting is aangesloten, gaan de stromen naar deze belastingen of laadbronnen niet door de SmartShunt en worden ze uitgesloten van de huidige aflezing en dus ook van de laadstatus. De SmartShunt geeft een hogere laadstatus weer dan de werkelijke oplaadstatus van de accu.



10.3.3 Er wordt een stroomwaarde weergegeven terwijl er geen stroom is

Voer een nulstroomkalibratie uit terwijl alle belastingen zijn uitgeschakeld (alinea 7.1.13) of stel de stroomdrempel in (alinea 7.1.8).

10.3.4 Onjuiste oplaadstatus

Onjuiste oplaadstatus vanwege een synchronisatieprobleem

De oplaadstatus is een berekende waarde en moet zo nu en dan opnieuw worden ingesteld (gesynchroniseerd). De volgende parameters zijn van invloed op de berekening van de oplaadstatus als ze verkeerd zijn ingesteld:

- Accucapaciteit
- Spanning bij opgeladen en startstroom
- Peukert-exponent en laad efficiëntiefactor
- Instellingen voor oplaadstatus en synchronisatie

Voor meer informatie over deze parameters, zie paragraaf 7.1: „Battery settings”.

Zie ook de volgende paragraaf **¡Error! No se encuentra el origen de la referencia.:** „¡Error! No se encuentra el origen de la referencia.”.

Onjuiste oplaadstatus als gevolg van onjuiste stroomaflezing

De oplaadstatus wordt berekend door te kijken naar hoeveel stroom die van en naar de accu stroomt. Als de huidige waarde onjuist is, is de oplaadstatus ook onjuist. Zie paragraaf **¡Error! No se encuentra el origen de la referencia.:** „¡Error! No se encuentra el origen de la referencia.”.

10.3.5 De oplaadstatus geeft drie streepjes aan „---”

Dit betekent dat de SmartShunt niet is gesynchroniseerd. Dit gebeurt vooral wanneer de SmartShunt net is geïnstalleerd of nadat de SmartShunt uit staat en weer wordt ingeschakeld. Laad de accu's op. De SmartShunt zal automatisch synchroniseren. Als dat niet werkt, bekijk dan de synchronisatie-instellingen, zie paragraaf 5.3: „Synchronising the SmartShunt”.

Als u weet dat de accu volledig is opgeladen, maar niet wilt wachten tot de SmartShunt synchroniseert, drukt dan op de knop SoC-synchroniseren naar 100%, zie paragraaf 7.1.12: „Synchronise SoC to 100%”.

10.3.6 Oplaadstatus bereikt de 100% niet

De SmartShunt synchroniseert en reset de oplaadstatus naar 100% zodra de accu volledig is opgeladen. Laad de accu volledig op en controleer of de SmartShunt correct detecteert of de accu volledig is opgeladen. Als de

SmartShunt niet detecteert dat de accu volledig is opgeladen, moet u de spanning bij opgeladen, staartstroom en/of tijdstellingen bij opgeladen controleren of aanpassen. Voor meer informatie, zie paragraaf 5.3.1: „Automatic synchronisation”.

De oplaadstatus neemt niet snel genoeg toe tijdens het opladen

Controleer of de capaciteit van de accu correct is ingesteld. Zie paragraaf 7.1.1: „Battery capacity”.

Oplaadstatus toont altijd 100%

Een reden kan zijn dat de negatieve kabels van de SmartShunt verkeerd zijn aangesloten, zie paragraaf **¡Error! No se encuentra el origen de la referencia.:** „¡Error! No se encuentra el origen de la referencia.”.

10.3.7 Onjuiste meting van de spanning

Spanning hoofdaccu te laag

Probleem met de Vbatt+-kabel, misschien is de zekering, de kabel zelf of een van de aansluitklemmen defect of is er een aansluiting losgeraakt.

Onjuiste bedrading: de Vbatt+-kabel moet worden aangesloten op het pluspool van de accubank, niet halverwege de accubank.

Als er een temperatuursensor wordt gebruikt, moet u ervoor zorgen dat de sensor is aangesloten op de positieve aansluitklem van de accubank, niet halverwege de accubank.

Spanning startaccu te laag

Probleem met de Aux-kabel, misschien is de zekering, de kabel zelf of een van de aansluitklemmen defect of is er een aansluiting losgeraakt.

Spanning startaccu ontbreekt

Zorg ervoor dat beide accu's een gemeenschappelijk minpool hebben. Voor instructies hoe de startaccu correct moet worden bedraad, zie paragraaf 3.4.1: "Aux connection for monitoring the voltage of a second battery".

10.3.8 Problemen met synchronisatie

De SmartShunt synchroniseert niet automatisch

Een mogelijkheid is dat de accu nooit een volledig opgeladen toestand bereikt. Laad de accu volledig op en kijk of de oplaadstatus uiteindelijk 100% aangeeft.

De andere mogelijkheid is dat de instelling van de spanning bij opgeladen moet worden verlaagd en/of de staartstroominstelling moet worden verhoogd. Zie paragraaf 5.3: „Synchronising the SmartShunt”.

De SmartShunt synchroniseert te vroeg

Dit kan het geval zijn bij zonne-energiesystemen of andere toepassingen met fluctuerende laadstromen. Neem de volgende maatregelen om de kans te verkleinen dat de SmartShunt de oplaadstatus voortijdig instelt op 100%:

- Verhoog de „spanning bij opgeladen” tot iets onder de absorptielaadspanning. Bijvoorbeeld: 14,2 V in geval van 14,4V-absorptiespanning (voor een 12V-accu).
- Verhoog de „detectietijd bij opgeladen” en/of verlaag de staartstroom om een vroegtijdige reset door passerende wolken te voorkomen.
- Zie paragraaf 5.3: „Synchronising the SmartShunt”.

De oplaadstatus geeft drie streepjes aan „---”

Dit betekent dat de SmartShunt niet is gesynchroniseerd. Dit gebeurt vooral wanneer de SmartShunt net is geïnstalleerd of nadat de SmartShunt uit heeft gestaan en weer wordt ingeschakeld. Laad de accu's op. De SmartShunt zal automatisch synchroniseren. Als dat niet werkt, bekijk dan de synchronisatie-instellingen, zie paragraaf 5.3: „Synchronising the SmartShunt”.

Als u weet dat de accu volledig is opgeladen, maar niet wilt wachten tot de SmartShunt synchroniseert, druk dan op de knop "SoC synchroniseren naar 100%", zie paragraaf 7.1.12: „Synchronise SoC to 100%”.

11 TECHNISCHE GEGEVENS

SMARTSHUNT	500 A/1000 A/2000 A
Voedingsspanning bereik	6,5 - 70 VDC
Stroomtrekking	< 1 mA
Ingangsspanningsbereik, hulpaccu	6,5 - 70 VDC
Accucapaciteit (Ah)	1 - 9999 Ah
Bedrijfs temperatuurbereik	-40 tot +50 °C (-40 tot 120 °F)
Meet de spanning van de tweede accu, temperatuur* of middelpuntspanning	Ja
Temperatuurmeetbereik*	-20 tot +50 °C
VE.Direct-communicatiepoort	Ja
RESOLUTIE & NAUWKEURIGHEID	
Stroom	± 0,1 A
Spanning	± 0,01 V
Ampère-uur	± 0,1 Ah
Oplaadstatus (0 — 100%)	± 0.1%
Tijd-om-naar	± 1 min
Temperatuur (0 - 50 °C of 30 - 120 °F)	± 1 °C/ °F
Nauwkeurigheid van de stroommeting	± 0.4%
Compensatie	Minder dan 10/20/40 mA
Nauwkeurigheid van de spanningsmeting	± 0.3%
INSTALLATIE & AFMETINGEN	
Afmetingen (h x b x d)	500 A: 46 x 120 x 54 mm 1000 A: 68 x 120 x 54 mm 2000 A: 68 x 120 x 76 mm
Beschermingscategorie	IP21
NORMEN	
Veiligheid	EN 60335-1
Emissie/Immunititeit	EN-IEC 61000-6-1 EN-IEC 61000-6-2 EN-IEC 61000-6-3
Auto	EN 50498
Kabels (inbegrepen)	2 Kabels met zekering voor '+' en aux-aansluiting
Temperatuursensor	Optioneel (ASS000100000)

* Wanneer de optionele temperatuursensor is aangesloten, is de temperatuursensor niet inbegrepen

Table des matières

1	Précautions à prendre !	4
1.1	Avertissements de sécurité relatifs à la batterie	4
1.2	Transport et stockage	4
2	Introduction	5
2.1	SmartShunt	5
2.2	Pourquoi contrôler une batterie ?	5
2.3	Tailles	5
2.4	VictronConnect	5
2.5	Accessoires	5
3	Installation	6
3.1	Que contient l'emballage ?	6
3.2	Montage	6
3.3	Connexions électriques principales.	6
3.3.1	Connexion négative de la batterie.....	6
3.3.2	Connexion négative de la charge.	6
3.3.3	Connexion Vbatt+.....	6
3.4	Connexions électriques auxiliaires	7
3.4.1	Connexion AUX destinée à la supervision de la tension d'une deuxième batterie.....	7
3.4.2	Connexion AUX destinée à la supervision du point médian d'un banc de batteries.....	7
3.4.3	Connexion AUX destinées à la supervision de la température	8
3.5	Connexion de l'appareil GX.....	9
4	Mise en service	10
4.1	Télécharger et installer VictronConnect.....	10
4.2	Installer le fusible.....	10
4.3	Connecter le Smartshunt	10
4.4	Mise à jour du micrologiciel	10
4.5	Effectuer le paramétrage essentiel.....	10
4.5.1	Configurer le paramètre de capacité de la batterie.....	11
4.5.2	Configurer le paramètre de tension de pleine charge.....	11
4.5.3	Paramètres relatifs à l'État de charge	11
4.5.4	Configurer la fonction d'entrée auxiliaire	12
4.6	Effectuer les paramètres pour les batteries au lithium (si nécessaire).....	12
5	Fonctionnement	13
5.1	Comment fonctionne le Smartshunt ?	13
5.2	Vue d'ensemble de lecture de paramètres	13
5.3	Synchronisation du Smartshunt.....	14
5.3.1	Synchronisation automatique	14
5.3.2	Synchronisation manuelle	15
5.4	Alarmes	15
5.5	Données historiques	16

5.6	Tendances.....	16
5.7	Codes d'état des voyants LED	16
6	Interfaçage	18
6.1	VictronConnect via USB.....	18
6.2	Se connecter à un appareil GX et au VRM.....	18
6.3	Connexion à un réseau VE.Smart.....	19
6.4	Intégration personnalisée (programmation nécessaire)	20
7	Totalité des Fonctions et Paramètres	21
7.1	Paramètres de la batterie.....	21
7.1.1	Capacité de la batterie	21
7.1.2	Tension de pleine charge	21
7.1.3	Seuil de décharge	21
7.1.4	Courant de queue	21
7.1.5	Temps de détection de pleine charge.....	22
7.1.6	Indice de Peukert	22
7.1.7	Facteur d'efficacité de charge.....	22
7.1.8	Seuil de courant	22
7.1.9	Fenêtre de calcul d'autonomie restante	23
7.1.10	Démarrage synchronisé de la batterie	23
7.1.11	État de charge.....	23
7.1.12	Synchroniser le SOC sur 100 %	23
7.1.13	Étalonnage du courant nul.....	23
7.2	Paramètres d'alarme.....	24
7.2.1	Configuration d'alarme du SoC.....	24
7.2.2	Alarme tension basse.....	24
7.2.3	Alarme de tension élevée	24
7.2.4	Alarme de tension de démarrage basse	25
7.2.5	Alarme de tension de démarrage élevée	25
7.2.6	Alarme d'écart du point médian	25
7.2.7	Alarme de température élevée.....	26
7.2.8	Alarme de température basse	26
7.3	Paramètres divers.....	26
7.3.1	Entrée AUX.....	26
7.3.2	Coefficient de température	26
7.4	Configuration de l'unité de température.....	27
7.5	Paramètres du produit	27
7.5.1	Réinitialiser aux paramètres par défaut.....	27
7.5.2	Nom personnalisé	27
7.5.3	Micrologiciel	27
7.5.4	Modification du code PIN.....	27
7.5.5	Désactiver et activer de nouveau la fonction Bluetooth	28

7.5.6	Numéro de série.....	28
7.6	Enregistrer, charger et partager les paramètres	28
7.7	Réinitialiser l'historique	28
7.8	Réinitialiser Code PIN.....	28
8	Capacité de batterie et coefficient de Peukert.....	29
9	Contrôle de la tension médiane	31
9.1	Schémas de câblage du point médian et du banc de batteries	31
9.1.1	Connexion et supervision du point médian dans un banc de batteries de 24 V.....	31
9.1.2	Connexion et supervision du point médian sur un banc de batteries de 48 V.	32
9.2	Calcul de l'écart du point médian.....	32
9.3	Paramétrer le niveau d'alarme	33
9.4	Retard d'alarme	33
9.5	Que faire en cas d'alarme pendant la charge ?	33
9.6	Que faire en cas d'alarme pendant la décharge ?.....	34
9.7	Équilibreur de batterie.....	34
10	Dépannages	35
10.1	Problèmes de fonctionnalité	35
10.1.1	L'unité est morte, aucun voyant ne s'allume.....	35
10.1.2	Le port auxiliaire ne fonctionne pas	35
10.1.3	Les paramètres ne peuvent pas être modifiés.....	35
10.2	Problèmes de connexion.....	35
10.2.1	Connexion impossible via Bluetooth	35
10.2.2	Code PIN perdu	36
10.3	Lectures incorrectes.....	36
10.3.1	Les courants de charge et décharge sont inversés.	36
10.3.2	Lecture de courant incomplète.....	37
10.3.3	Il y a une lecture de courant alors qu'aucun courant ne circule.....	37
10.3.4	Lecture incorrecte de l'état de charge.....	37
10.3.5	L'état de charge indique trois tirets « -- »	37
10.3.6	L'état de charge n'atteint pas 100 %	38
10.3.7	Lecture de tension incorrecte	38
10.3.8	Problèmes de synchronisation.....	38
11	Caractéristiques techniques	40

1 PRÉCAUTIONS À PRENDRE !

1.1 Avertissements de sécurité relatifs à la batterie



Tout travail à proximité d'une batterie au plomb-acide est potentiellement dangereux. Ces batteries peuvent générer des gaz explosifs. Ne fumez jamais et ne permettez aucune étincelle ou flamme à proximité d'une batterie. Veillez à ce que l'air circule librement autour de la batterie.



Portez des vêtements et des lunettes de protection. Ne touchez pas à vos yeux lorsque vous travaillez à proximité des batteries. Lavez-vous les mains après l'intervention.



En cas de contact entre l'électrolyte et la peau ou les vêtements, lavez-les immédiatement avec du savon et de l'eau. En cas de contact avec l'œil, rincez tout de suite abondamment à l'eau claire pendant au moins 15 minutes et consultez immédiatement un médecin.



Soyez prudent lors de l'utilisation d'outils métalliques à proximité des batteries. La chute d'un outil métallique sur une batterie peut provoquer un court-circuit et éventuellement une explosion.



Retirez tout objet personnel en métal tel que bague, bracelet, collier et montre, lorsque vous travaillez avec une batterie. Une batterie peut produire un court-circuit assez élevé pouvant faire fondre les objets comme une bague, et provoquer de graves brûlures.

1.2 Transport et stockage

Rangez le SmartShunt dans un environnement sec.

La température de stockage peut se situer entre : -40 °C à +60°C

2 INTRODUCTION

2.1 SmartShunt

Le SmartShunt est un contrôleur de batterie. Il mesure la tension et le courant de la batterie. Sur la base des mesures relevées, il calcule l'état de charge, l'autonomie restante, et il conserve une trace des données historiques, telles qu'une décharge profonde, une décharge moyenne et le nombre de cycles.

Le SmartShunt se connecte par Bluetooth à l'application [VictronConnect](#). L'application VictronConnect est utilisée pour afficher tous les paramètres de la batterie supervisée. Elle permet également de saisir ou de modifier des paramètres. Sinon, il est également possible de connecter le SmartShunt à un [appareil GX](#), tel que le ColorControl GX ou le Cerbo GX.

Le SmartShunt dispose d'une entrée auxiliaire qui peut être utilisée pour surveiller la tension d'une deuxième batterie ou pour superviser le point médian d'un banc de batteries. L'entrée auxiliaire peut également être utilisée pour surveiller la température de la batterie à l'aide de la [Sonde de température pour BMV](#) en option.

2.2 Pourquoi contrôler une batterie ?

Une grande variété d'applications utilise des batteries, généralement pour stocker de l'énergie destinée à un usage ultérieur. Mais, quelle quantité d'énergie est stockée dans la batterie ? Personne ne peut le savoir juste en la regardant.

La durée de vie des batteries dépend de plusieurs facteurs. La durée de vie d'une batterie peut être réduite pour des raisons diverses telles qu'une charge trop faible, une surcharge, des décharges poussées excessives, des courants de charge ou de décharge excessifs, et une température ambiante élevée. Le fait de mettre la batterie sous la surveillance d'un contrôleur de batterie sophistiqué permettra à l'utilisateur de disposer d'informations essentielles pour prendre les mesures nécessaires en temps utile. De cette manière, la durée de vie de la batterie sera prolongée, et le SmartShunt sera rapidement amorti.

2.3 Tailles

Le SmartShunt est disponible en trois tailles : 500 A, 1 000 A et 2 000 A.

2.4 VictronConnect

VictronConnect est une application gratuite, disponible sur Android, iOS, MacOS ou Windows. Elle peut être téléchargée depuis les boutiques d'applications ou sur notre page de téléchargement. VictronConnect est nécessaire pour configurer et lire les mesures du SmartShunt.

2.5 Accessoires

Les éléments suivants peuvent être nécessaires en fonction de votre configuration :

- Sonde de température pour BMV.
- Interface VE.Direct-USB.
- Appareil GX.
- Câble VE.Direct.

3 INSTALLATION

3.1 Que contient l'emballage ?

L'emballage contient les éléments suivants :

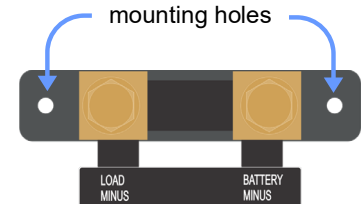
- SmartShunt 500 A, 1 000 A ou 2 000 A.
- Deux câbles rouges, les deux avec fusible.



3.2 Montage

Le SmartShunt dispose de deux orifices de 5.5 mm destinés au montage et situés sur la base du SmartShunt. Les orifices peuvent être utilisés pour visser ou boulonner le SmartShunt sur une surface dure (vis non incluses).

Le degré de protection du Smartshunt est IP21. Cela signifie que le SmartShunt n'est pas étanche, et qu'il doit être installé dans un endroit sec.



3.3 Connexions électriques principales.

Le SmartShunt dispose de 3 connexions principales et d'une connexion en option. Ce chapitre décrit comment les connecter.

3.3.1 Connexion négative de la batterie.

Raccordez le point négatif de la batterie au boulon M10 sur le côté « BATTERY MINUS » du Smartshunt.

3.3.2 Connexion négative de la charge.

Raccordez le point négatif du système électrique au boulon M10 sur le côté « LOAD MINUS » du Smartshunt. Assurez-vous que le négatif de toutes les charges CC et des sources de charge soit branché « après » le Smartshunt.

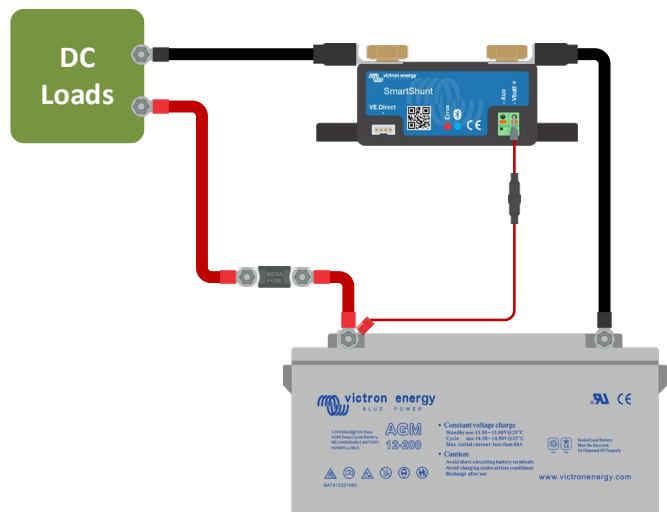
3.3.3 Connexion Vbatt+

Branchez l'embout M8 du câble rouge avec fusible sur la borne positive de la batterie.

Branchez la broche de la fêrule du câble rouge avec fusible sur le SmartShunt en poussant la broche dans la borne Vbatt+.

Dès que le fusible est mis en place sur le câble, la fonction Bluetooth du Smartshunt commencera à clignoter. À présent, le SmartShunt est activé. La prochaine étape consiste à configurer l'appareil en utilisant l'application VictronConnect. Cette étape est expliquée dans le chapitre 4 : « Commissioning ».

Si le port AUX va être utilisé pour superviser une deuxième batterie, le point médian ou la température, consultez l'un des trois paragraphes suivants pour connaître la procédure à suivre, puis consultez le chapitre 4 : « Mise en service ».



3.4 Connexions électriques auxiliaires

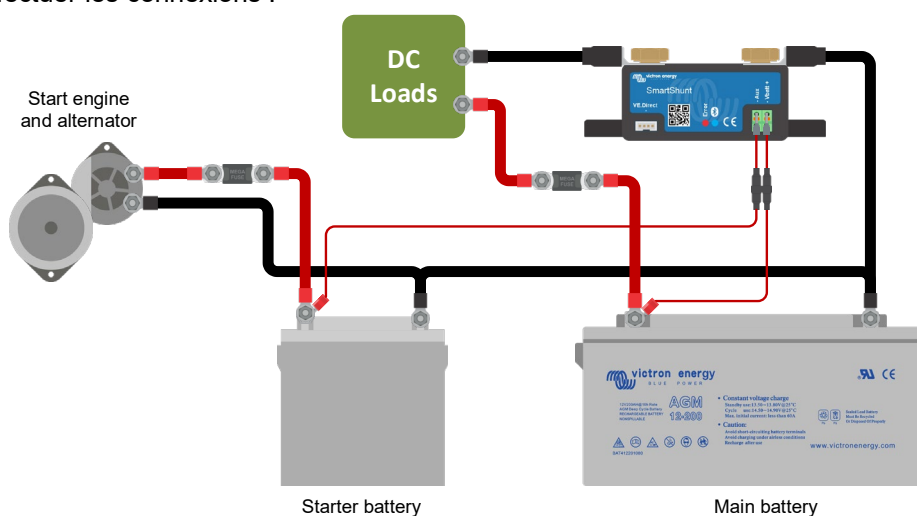
Outre la surveillance complète du banc de batteries principal, le Smartshunt permet également de superviser un deuxième paramètre. Il peut s'agir de la tension d'une deuxième batterie (batterie de démarrage), de l'écart du point médian d'un banc de batteries ou la température de la batterie. À cette fin, le Smartshunt est équipé d'une deuxième entrée de supervision, l'entrée AUX. Ce chapitre décrit comment brancher l'entrée AUX en fonction des trois options de configuration possibles.

3.4.1 Connexion AUX destinée à la supervision de la tension d'une deuxième batterie

La connexion AUX peut être utilisée pour superviser la tension d'une deuxième batterie, comme par ex. une batterie de démarrage.

Voici la procédure à suivre pour effectuer les connexions :

- Branchez l'embout M8 du câble rouge avec fusible sur la borne positive de la deuxième batterie.
- Branchez la broche de la fêrle du câble rouge avec fusible sur le SmartShunt en poussant la broche dans la borne AUX.
- Assurez-vous que le point négatif de la batterie principale et celui de la deuxième batterie sont communs.

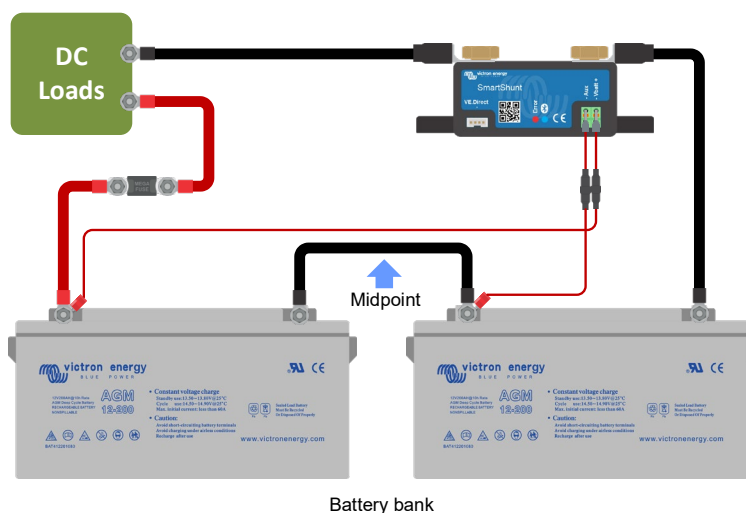


3.4.2 Connexion AUX destinée à la supervision du point médian d'un banc de batteries

La connexion AUX peut être utilisée pour surveiller la tension du point médian d'un banc de batteries composé de plusieurs batteries qui sont raccordées en série pour créer un banc de batteries de 24 ou 48 V.

Voici la procédure à suivre pour effectuer les connexions :

- Branchez l'embout M8 du câble rouge avec fusible sur la borne positive du point médian.
- Branchez la broche de la fêrle du câble rouge avec fusible sur le SmartShunt en poussant la broche dans la borne AUX.



Pour de plus amples renseignements sur la supervision du point médian, consultez le chapitre 9. Ce chapitre fournit également l'information et les diagrammes de câblage nécessaires pour savoir comment surveiller le point médian des bancs de batteries qui ont été raccordés en série/parallèle.

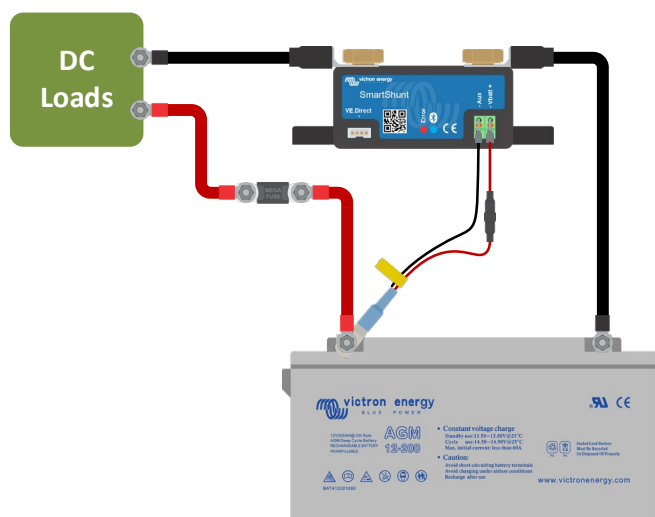
3.4.3 Connexion AUX destinées à la supervision de la température

La connexion AUX peut être utilisée pour surveiller la température d'une batterie. Afin de pouvoir surveiller la température, vous devrez acquérir l'élément suivant : « Sonde de température pour BMW ». Il s'agit d'un câble équipé d'une sonde de température, dont la référence est ASS000100000. Attention : cette sonde de température n'est pas la même que celle utilisée avec les chargeurs/convertisseurs et les chargeurs de batterie de Victron.



Voici la procédure à suivre pour effectuer les connexions :

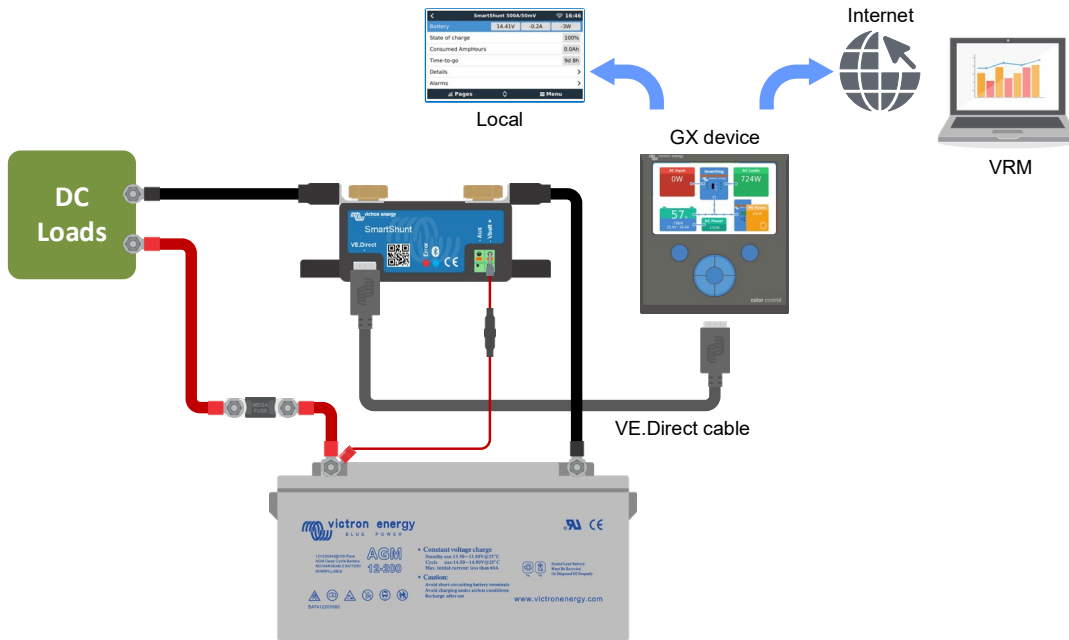
- Branchez l'œillet du câble M8 de la sonde de température sur la borne positive de la batterie.
- Branchez la broche de la fêrle du câble rouge (avec fusible) sur le SmartShunt en poussant la broche dans la borne Vbatt+.
- Branchez la broche de la fêrle du câble noir sur le SmartShunt en poussant la broche dans la borne AUX.



Veillez noter que vous utilisez la sonde de température, les câbles d'alimentation rouges qui proviennent du SmartShunt ne sont pas nécessaires. La sonde de température remplacera ces câbles.

3.5 Connexion de l'appareil GX

Si le système contient un appareil GX, le Smartshunt peut être raccordé à cet appareil à l'aide d'un câble VE.Direct dont la référence est ASS03053xxxx. Une fois raccordé, l'appareil GX peut être utilisé pour lire tous les paramètres de la batterie supervisée. Pour davantage de renseignements, consultez le chapitre 6.2 : « Connecting to a GX device and VRM ».



4 MISE EN SERVICE

Une fois les branchements électriques réalisés, le Smartshunt doit être configuré. Pour cela, il faut utiliser l'application VictronConnect. Elle permet de configurer et de lire les mesures du SmartShunt.

4.1 Télécharger et installer VictronConnect

Pour communiquer et configurer le Smartshunt, vous aurez besoin de l'application VictronConnect. VictronConnect est une application gratuite, disponible sur Android, iOS, MacOS ou Windows. Elle peut être téléchargée depuis les boutiques d'applications respectives. Ou sinon depuis la section Téléchargements de notre site Web : <https://www.victronenergy.com/support-and-downloads/software>.

4.2 Installer le fusible

Si vous ne l'avez pas fait plus tôt, placez le fusible sur le câble Vbatt+. La lumière bleue du Bluetooth commencera à clignoter.

4.3 Connecter le Smartshunt

Connectez le Smartshunt à l'aide de VictronConnect. La connexion se fait par Bluetooth. Il est également possible de raccorder le SmartShunt via USB ou via VRM (Victron Remote Monitoring — Surveillance à distance de Victron). Pour davantage de renseignements, consultez le paragraphe 6 : « Interfacing ».

Voici la procédure de connexion à suivre :

- Ouvrez l'application VictronConnect.
- Cherchez le Smartshunt dans la liste des appareils.
- Cliquez sur le SmartShunt.
- Saisissez le code PIN par défaut qui est 000000.
- Si la connexion est un succès, la lumière Bluetooth reste allumée.

Une fois le code par défaut saisi, VictronConnect vous demandera de modifier le code PIN. Cela permet d'éviter des connexions non souhaitées à l'avenir. Nous vous recommandons de modifier le code PIN lors de la première installation. Vous pouvez le faire dans l'onglet Info du produit. Consultez le paragraphe 7.5.4 : « Changing PIN code ».

Pour davantage de détails concernant VictronConnect, consultez le manuel VictronConnect :

<https://www.victronenergy.com/live/victronconnect:start>. <https://www.victronenergy.com/live/victronconnect:start>.


4.4 Mise à jour du micrologiciel

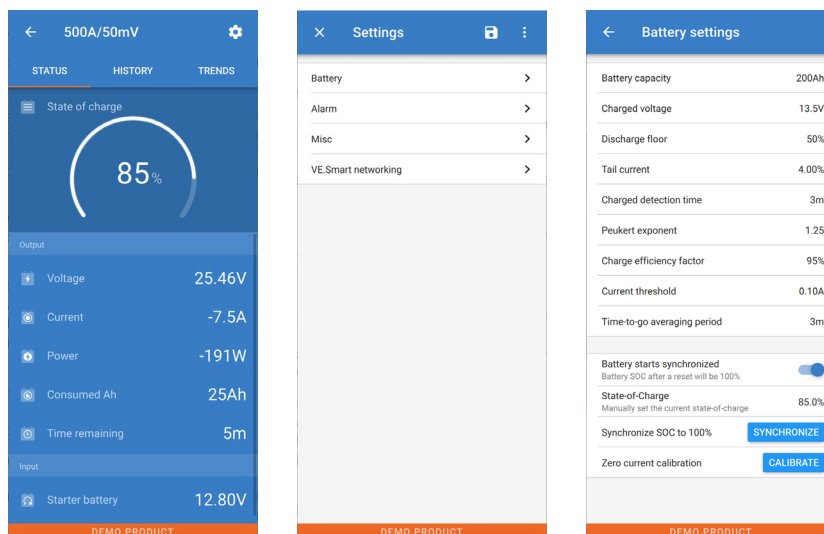
Lors de la première connexion, VictronConnect peut vous demander de mettre à jour le micrologiciel de l'interface Bluetooth et/ou du Smartshunt. Il faudrait le faire lors de la première installation. Sans la mise à jour du micrologiciel, les paramètres ne peuvent pas être modifiés, et seule la supervision est activée.

4.5 Effectuer le paramétrage essentiel

Les paramètres par défaut du SmartShunt sont personnalisés pour des batteries au plomb-acide (batteries à électrolyte liquide, gélifié, ou AGM).

Veuillez noter qu'en cas de batteries au lithium ou de batteries avec des chimies différentes, plusieurs paramètres supplémentaires devront être modifiés. Configurez d'abord les paramètres essentiels décrits dans ce paragraphe, puis consultez le paragraphe suivant pour les paramètres spécifiques aux batteries au lithium. Sinon, contactez votre fournisseur de batterie et consultez le paragraphe 7.1 : « Battery settings ».

Pour effectuer la configuration, naviguez dans le menu des paramètres en cliquant sur le bouton des paramètres , situé en haut à droite sur VictronConnect.



La plupart des paramètres peuvent être laissés par défaut. Mais quelques paramètres doivent être modifiés si s'agit des paramètres suivants :

- Capacité de la batterie.
- Tension de pleine charge.
- État de charge ou démarrage synchronisé.
- La fonctionnalité de l'entrée auxiliaire (le cas échéant).

Pour savoir à quoi servent les autres paramètres, consultez le paragraphe 7.1 : « Battery settings ».

4.5.1 Configurer le paramètre de capacité de la batterie

Ce paramètre se trouve dans VictronConnect > Settings (Configuration) > Battery.

Par défaut, le SmartShunt est configuré sur 200 Ah. Modifiez cette valeur pour qu'elle corresponde à la capacité de votre batterie. Pour davantage de renseignements sur la capacité de la batterie, consultez le paragraphe 7.1.1 : « Battery capacity ».

4.5.2 Configurer le paramètre de tension de pleine charge

Ce paramètre se trouve dans VictronConnect > Settings (Configuration) > Battery.

Par défaut, le SmartShunt est configuré sur 0.0 V. Le SmartShunt ne détecte pas automatiquement la tension du système contrairement au BMV. Vous devrez configurer la « Tension de pleine charge ».

Voici les valeurs de « Tension de pleine charge » recommandées :

Tension de batterie nominale	Paramètre de tension de pleine charge recommandée
12 V	13,2 V
24 V	26.4 V
36 V	39.6 V
48 V	52.8 V

Pour davantage de renseignements sur le paramètre de pleine charge, consultez le paragraphe 7.1.2 : « Charged voltage ».

4.5.3 Paramètres relatifs à l'État de charge

Ce paramètre se trouve dans VictronConnect > Settings (Configuration) > Battery.

Lorsque le SmartShunt sera allumé pour la première fois, il affichera par défaut un état de charge de 100 %. Si vous souhaitez modifier cette valeur, vous pouvez le faire manuellement. Pour davantage de renseignements, consultez le paragraphe 7.1.10 : « Battery starts synchronised » et paragraphe 7.1.11 : « State of charge ».

4.5.4 Configurer la fonction d'entrée auxiliaire

Ce paramètre se trouve dans VictronConnect > Settings (Configuration) > Misc. (Divers).

Ce paramètre permet de configurer la fonction de l'entrée auxiliaire sur :

- Batterie de démarrage - Pour superviser la tension d'une deuxième batterie.
- Point médian – Pour mesurer le point médian d'un banc de batteries.
- Température - Pour mesurer la température de la batterie à l'aide d'une sonde de température.

4.6 Effectuer les paramètres pour les batteries au lithium (si nécessaire)

LiFePO4 (phosphate de lithium-fer ou LFP) est la chimie de batterie au lithium la plus utilisée. Les paramètres d'usine par défaut s'appliquent généralement aux batteries LFP, en dehors des paramètres suivants :

- Efficacité de charge.
- Indice Peukert.
- Courant de queue.

Efficacité de charge

L'efficacité de charge des batteries au lithium est largement supérieure à celle des batteries plomb-acide. Nous vous recommandons de configurer l'efficacité de charge à 99 %. Pour davantage de renseignements, consultez le paragraphe 7.1.7 : « Charge efficiency factor ».

Indice de Peukert

Si elles sont soumises à des taux de décharge élevée, les batteries au lithium sont plus performantes que les batteries plomb-acide. Configurez l'indice de Peukert sur 1,05 ; à moins que le fournisseur de batterie conseille une autre valeur.

Courant de queue

Certains chargeurs de batteries au lithium suspendent la charge si le courant de charge chute en dessous d'une valeur prédéterminée. Le courant de queue doit être paramétré avec une valeur supérieure à ce seuil.

Seuil de décharge

Ce paramètre est utilisé pour calculer l'autonomie restante, et il est défini par défaut sur 50 %. Mais les batteries au lithium sont généralement déchargées plus profondément que 50 %. Le seuil de décharge peut être établi à une valeur comprise entre 10 et 20 %, sauf si le fournisseur de la batterie conseille une autre valeur.

Avertissement important

Les batteries au lithium sont chères et elles peuvent être endommagées de manière irréversible en raison d'un excès de décharge ou charge. Les dommages dus à une décharge profonde peuvent survenir si de petites charges consommatrices déchargent lentement la batterie alors que le système n'est pas utilisé. Ces charges peuvent être par exemple des systèmes d'alarme, des courants de veille de charges CC et du courant de rappel absorbé ou des régulateurs de charge.

Un courant de décharge résiduel est particulièrement dangereux si le système a été entièrement déchargé complètement jusqu'à ce qu'un arrêt survienne en raison d'une tension faible sur une cellule. À cet instant, l'état de charge peut être aussi bas que 1 %. La batterie au lithium sera endommagée si la réserve de courant est extraite de la batterie. Ce dommage peut être irréversible.

Par exemple, un courant résiduel de 1 mA peut endommager une batterie de 100 Ah si la batterie est restée déchargée pendant plus de 40 jours ($1 \text{ mA} \times 24 \text{ h} \times 40 \text{ jours} = 0,96 \text{ Ah}$).

Le Smartshunt tire <1 mA d'une batterie de 12 V. L'alimentation positive doit donc être interrompue si un système de batteries au lithium-ion est laissé sans surveillance le temps suffisant pour que le courant tiré par le Smartshunt décharge entièrement la batterie.

En cas de doute quant à un risque d'appel de courant résiduel, isolez la batterie en ouvrant l'interrupteur de batterie, en tirant le(s) fusible(s) de la batterie ou en déconnectant le pôle positif de la batterie si le système n'est pas utilisé.

5 FONCTIONNEMENT

5.1 Comment fonctionne le Smartshunt ?

La principale fonction du Smartshunt consiste à surveiller et à indiquer l'état de charge d'une batterie, pour savoir le niveau de charge de la batterie, et en particulier, pour éviter une décharge totale à laquelle on ne s'attend pas. Le Smartshunt mesure en permanence le débit de courant qui entre ou qui sort de la batterie. L'intégration de ce courant au fil du temps (s'il s'agit d'un courant fixe) se réduit pour multiplier le courant et le temps, et donne le montant net d'Ah ajouté ou enlevé.

Par exemple : un courant de décharge de 10 A pendant 2 heures prendra $10 \times 2 = 20$ Ah de la batterie.

Pour compliquer la situation, la capacité effective d'une batterie dépend du taux de décharge, de l'indice de Peukert et, dans une moindre mesure, de la température. Et pour compliquer davantage les choses, en chargeant une batterie, il faut « pomper » plus d'énergie dans la batterie que celle pouvant être extraite lors de la prochaine décharge. En d'autres mots : l'efficacité de charge est inférieure à 100%.

Le SmartShunt tient compte de tous ces facteurs pour calculer l'état de charge.

5.2 Vue d'ensemble de lecture de paramètres

L'écran d'état du Smartshunt affiche une vue d'ensemble des paramètres importants :

- État de charge.
- Tension de la batterie.
- Courant de batterie.
- Puissance.
- Lecture d'entrée AUX (batterie de démarrage, point médian ou température).

État de charge

Il s'agit de l'état de charge réel de la batterie en pourcentage, et il est compensé à la fois pour l'efficacité Peukert et l'efficacité de charge. L'état de charge est le meilleur moyen de surveiller la batterie.

Une batterie totalement pleine indique une valeur de 100.0 %. Une batterie totalement vide indique une valeur de 0.0 %.

Veillez noter que si l'état de charge indique trois tirets : « --- », cela signifie que le SmartShunt est dans un état non synchronisé. Cela arrive principalement lorsque le SmartShunt vient d'être installé, ou après que le SmartShunt a été laissé sans alimentation, et qu'il est à nouveau alimenté. Pour davantage de renseignements, consultez le paragraphe 5.3 : « Synchronising the SmartShunt ».

Tension

Il s'agit de la tension sur la borne de la batterie.

Courant

Il s'agit du courant réel entrant ou sortant de la batterie. Un courant négatif indique que du courant est extrait de la batterie Il s'agit du courant nécessaire pour les charges CC. Un courant positif indique que du courant rentre dans la batterie. Il s'agit du courant provenant des sources de recharge. N'oubliez pas que le Smartshunt indiquera toujours le courant total de la batterie. C'est à dire le courant entrant dans la batterie moins le courant sortant de la batterie.

Puissance

La puissance extraite ou reçue par la batterie.

Ah consommés

Le SmartShunt conserve une trace des ampères-heures extraits de la batterie compensés par l'efficacité.

Exemple : Si un courant de 12 A est tiré de la batterie pendant une période de 3 heures, la lecture affichera - 36.0 Ah ($-12 \times 3 = -36$).

Veillez noter que si les ampères consommés indiquent trois tirets : « --- », cela signifie que le SmartShunt est dans un état non synchronisé. Cela arrive principalement lorsque le SmartShunt vient d'être installé, ou après que le SmartShunt a été laissé sans alimentation, et qu'il est à nouveau alimenté. Pour davantage de renseignements, consultez le paragraphe 5.3 : « Synchronising the SmartShunt ».

Temps restant

Le SmartShunt évalue combien de temps la batterie peut supporter la présente charge. Il s'agit de la mesure d'autonomie restante, et du temps réel qui reste jusqu'à ce que la batterie soit déchargée au « seuil de décharge » configuré. Par défaut, le seuil de décharge est défini sur 50 %. Pour paramétrer le seuil de décharge, consultez le paragraphe 7.1.3 : « Discharge floor ».

Si la demande de la charge varie fortement, il vaut mieux ne pas se fier à cette indication puisqu'il s'agit d'une lecture passagère, qui ne doit servir qu'à titre indicatif. Nous vous recommandons vivement d'utiliser l'indication de l'état de charge afin de vous assurer que la surveillance de la batterie est précise.

Si le « temps restant » indique trois tirets : « --- », cela signifie que le SmartShunt est dans un état non synchronisé. Cela arrive lorsque le SmartShunt vient d'être installé, ou après que le SmartShunt a été laissé sans alimentation, et qu'il est à nouveau alimenté. Pour davantage de renseignements, consultez le paragraphe 5.3 : « Synchronising the SmartShunt ».

Entrée

Il s'agit de l'état de l'entrée AUX. Selon la manière dont a été configuré le port AUX, une de ces trois options s'affichera :

- **Tension de la batterie de démarrage** : l'appareil indique la tension d'une deuxième batterie.
- **Température de la batterie** : l'appareil indique la température de la batterie principale lorsque la sonde de température en option est utilisée.
- **Écart de la tension médiane** : l'appareil affiche l'écart en pourcentage de la tension principale de la section du haut du banc de batteries par rapport à celle de la section du bas. Pour de plus amples renseignements concernant cette fonction, consultez le chapitre 9. « Midpoint voltage monitoring ».

5.3 Synchronisation du Smartshunt

Pour une lecture précise, l'état de charge, tel qu'affiché par le contrôleur de batterie, doit être synchronisé régulièrement avec le vrai état de charge de la batterie. Cela permet d'éviter que la valeur de l'état de charge ne s'écarte de la réalité au fil du temps. Une synchronisation réinitialisera l'état de charge de la batterie sur 100 %.

5.3.1 Synchronisation automatique

La synchronisation est un processus automatique qui survient lorsque la batterie a été entièrement rechargée. Le SmartShunt consultera quelques paramètres pour confirmer que la batterie est entièrement chargée. Il considérera que c'est le cas lorsque la tension aura atteint une certaine valeur, et que le courant aura chuté en dessous d'une certaine valeur pendant un certain temps.

Ces paramètres sont appelés :

- **Tension pleine charge** - la tension Float du chargeur de la batterie.
- **Courant de queue** - un pourcentage de la capacité de la batterie
- **Temps de détection de pleine charge** - temps en minutes.

Dès que ces trois paramètres sont atteints, le Smartshunt établira la valeur de l'état de charge sur 100 %, synchronisant ainsi l'état de charge.

Exemple :

Dans le cas d'une batterie de 12 V, le Smartshunt réinitialisera l'état de charge à 100 % lorsque tous ces paramètres seront respectés.

- La tension dépasse 13,2 V,
- le courant de charge est inférieur à 4,0 % du total de la capacité de la batterie (par ex. 8 A pour une batterie de 200 Ah) et,
- 3 minutes se sont écoulées durant lesquelles les conditions de tension et de courant ont persisté.

Si le Smartshunt n'effectue pas une synchronisation régulière, la valeur de l'état de charge commencera à dévier au fil du temps. Cela est dû aux petites imprécisions du Smartshunt, et à l'estimation de l'indice de Peukert. Dès

qu'une batterie est entièrement chargée, et que le chargeur est à l'état Float, la batterie est pleine, et le Smartshunt se synchronisera automatiquement en déterminant la valeur de l'état de charge sur 100 %.

5.3.2 Synchronisation manuelle

Le Smartshunt peut aussi être synchronisé manuellement si cela est nécessaire. Pour cela, il suffit de cliquer sur le bouton de synchronisation dans les paramètres de la batterie VictronConnect.

Une synchronisation manuelle peut être nécessaire si le Smartshunt ne se synchronise pas automatiquement. Cela peut être nécessaire lors de la première installation, ou si l'alimentation de la tension vers le Smartshunt a été interrompue.

Elle peut également être nécessaire si la batterie n'a pas été entièrement rechargée, ou si le Smartshunt n'a pas détecté que la batterie a été entièrement rechargée car la tension de pleine charge, le courant ou le temps n'ont pas été définis correctement. Dans ce cas, vérifiez les paramètres et assurez-vous que la batterie reçoive régulièrement une pleine charge.

5.4 Alarmes

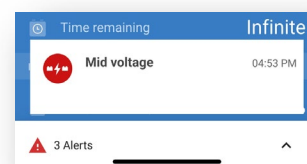
Le SmartShunt peut déclencher une alarme en cas d'état de charge bas, de mesures de tension élevée ou basse, de mesures de température élevée ou basse, ou d'un certain écart de point médian. L'alarme s'activera lorsque la valeur atteindra un seuil défini, et elle s'arrêtera avec la valeur de désactivation ce de seuil.

L'alarme est une alarme logicielle. Si on se connecte avec l'application VictronConnect et qu'une alarme est active, cette alarme s'affichera dans l'application. Sinon, si le Smartshunt est connecté à un appareil GX, l'alarme s'affichera sur cet appareil GX ou sur le VRM.

Dans le cas de l'application VictronConnect, une alarme est confirmée lorsque l'on appuie sur un bouton.

Et dans le cas d'un appareil GX, une alarme est confirmée lorsqu'elle est visualisée dans les notifications. Cependant, l'icône d'alarme s'affiche tant que la condition d'alarme persiste.

Veillez noter que contrairement à la gamme de contrôleurs de batterie BMV, le Smartshunt n'a pas de relais d'alarme ou de buzzer. Si une fonction de relais est nécessaire, connectez le Smartshunt à un appareil GX, et utilisez le relais dans cet appareil avec la fonctionnalité du Smartshunt.



5.5 Données historiques

Le SmartShunt conserve les événements historiques. Ils peuvent être utilisés ultérieurement pour évaluer des modèles d'utilisation et l'état de la batterie. L'historique est accessible dans l'onglet « Historique » de VictronConnect. L'historique des données est conservé dans une mémoire non volatile, et il ne se perdra pas si l'alimentation vers le Smartshunt est interrompue, ou si le Smartshunt est réinitialisé avec ses paramètres par défauts.

Information de décharge en Ah

- Décharge la plus profonde : le SmartShunt retient la décharge la plus profonde, et chaque fois que la batterie est déchargée à un niveau plus profond, l'ancienne valeur sera écrasée.
- Dernière décharge : le SmartShunt conserve une trace de la décharge durant le cycle de courant, et il affiche la valeur la plus grande enregistrée pour les Ah consommés depuis la dernière synchronisation.
- Décharge moyenne : Ah extraits accumulés divisés par le nombre total de cycles.
- Ah extraits accumulés – Le nombre d'ampères-heures accumulés extraits de la batterie au cours de la durée de vie du Smartshunt.

Énergie en kWh

- Énergie déchargée : quantité totale d'énergie extraite de la batterie en (k) Wh
- Énergie chargée : quantité totale d'énergie absorbée par la batterie en (k) Wh

Charge

- Total cycles de charge : le nombre de cycles de charge au cours de la durée de vie du Smartshunt. Un cycle de charge est compté chaque fois que l'état de charge descend en dessous de 65 %, et ensuite monte jusqu'à 90 %.
- Durée depuis dernière charge complète : nombre de jours depuis la dernière charge totale.
- Synchronisations : nombre de synchronisations automatiques. Une synchronisation est comptée chaque fois que l'état de charge descend en dessous de 90 % avant que ne s'effectue une synchronisation.
- Nombre de décharges complètes : nombre de décharges complètes. On compte une décharge complète lorsque l'état de charge atteint 0 %.

Tension de la batterie

- Tension de batterie mini. : tension la plus basse de la batterie.
- Tension de batterie maxi. : tension la plus élevée de la batterie.
- Tension de batt. démarrage mini. : tension la plus faible sur la batterie auxiliaire (si applicable).
- Tension de batt. démarrage maxi. : tension la plus élevée sur la batterie auxiliaire (si applicable).

Alarmes de tension

- Alarmes de tension basse : nombre d'alarmes de tension basse.
- Alarmes de tension élevée : nombre d'alarmes de tension élevée.

5.6 Tendances

La section « Tendances » de VictronConnect permet la journalisation des données, mais uniquement lorsque cette application est connectée et communique avec le Smartshunt. L'application consigne deux des paramètres suivants : tension, courant, puissance consommée en Ah ou l'état de charge.

5.7 Codes d'état des voyants LED

Le SmartShunt dispose de deux LED : un voyant d'état Bluetooth (bleu), et un voyant d'erreur (rouge). Ces voyants LED sont tous les deux associés à l'interface Bluetooth du Smartshunt.

- Lors de l'allumage, le voyant bleu clignotera, et le voyant rouge s'éclairera rapidement. Le voyant rouge s'éclairera brièvement pour confirmer que ce voyant fonctionne.
- Lorsque le voyant BLEU clignote, le Smartshunt est prêt à se connecter à l'application VictronConnect.

500A/50mV			
STATUS	HISTORY	TRENDS	
Discharge			
Deepest discharge	-50Ah	Last discharge	0Ah
Average discharge	-30Ah	Cumulative Ah drawn	-2314Ah
Energy			
Discharged energy	25.3kWh	Charged energy	14052.0kWh
Charge			
Total charge cycles	2	Time since last full charge	1h 15m
Synchronisations	1	Number of full discharges	2
Battery voltage			
Min battery voltage	23.10V	Max battery voltage	28.77V
Min starter voltage	11.70V	Max starter voltage	0.00V
Voltage alarms			
Low voltage alarms	3	High voltage alarms	0

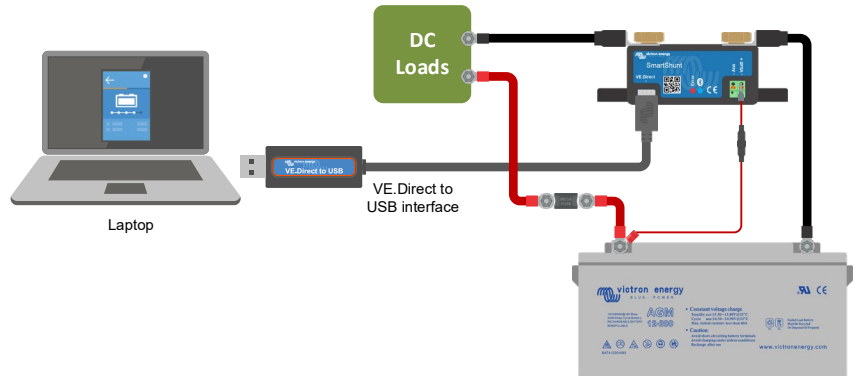
- Lorsque le voyant bleu est fixe, cela signifie que le Smartshunt s'est correctement connecté à l'application VictronConnect via Bluetooth.
- Lorsque les deux voyants LED clignotent en alternance, cela signifie que le logiciel du Smartshunt est en train d'être mis à jour.

6 INTERFAÇAGE

Le SmartShunt peut être connecté à d'autres équipements. Ce chapitre décrit la procédure à suivre.

6.1 VictronConnect via USB

L'application VictronConnect ne se connecte pas uniquement par Bluetooth, elle peut également le faire via USB. Une connexion USB est essentielle pour se connecter à la version Windows de VictronConnect, mais elle est optionnelle pour fonctionner avec les versions MacOS ou Android. Veuillez noter que pour une connexion à un téléphone ou une tablette Android, un câble « USB on the Go » peut être nécessaire.



Pour une connexion via USB, vous aurez besoin d'une « Interface VE.Direct-USB » dont la référence est SS030530000. Utilisez cette interface pour connecter l'ordinateur au Smartshunt. Pour davantage de renseignements, consultez le manuel VictronConnect : <https://www.victronenergy.com/live/victronconnect:start>

6.2 Se connecter à un appareil GX et au VRM

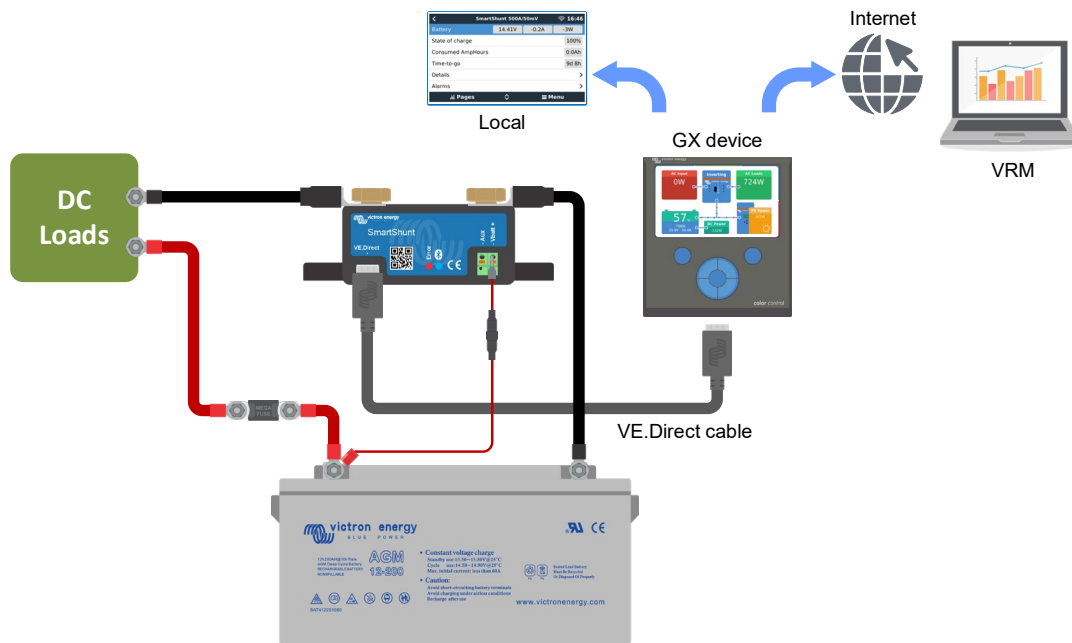
Les appareils GX sont des dispositifs Victron qui permettent de contrôler et superviser tous les produits Victron qui y sont connectés. Le contrôle et la supervision peuvent se faire localement, mais également à distance à travers notre site Web de supervision à distance « Surveillance à distance Victron », le portail en ligne VRM. Pour une vue d'ensemble de tous les appareils GX, consultez : <https://www.victronenergy.com.au/panel-systems-remote-monitoring>.

Pour un lien vers le site VRM, consultez : <https://vrm.victronenergy.com>

Le SmartShunt peut être connecté à un appareil GX avec un câble VE.Direct, dont la référence est ASS03053xxxx. Les câbles VE.Direct sont disponibles dans une longueur allant de 0.3 à 10 mètres, et ils sont disponibles avec des connecteurs droits ou à angle droit. Au lieu d'utiliser un câble VE.direct, le Smartshunt peut également être raccordé à un appareil GX en utilisant une interface VE.Direct-USB.

SmartShunt 500A/50mV		
Battery	14.41V	-0.2A -3W
State of charge	100%	
Consumed AmpHours	0.0Ah	
Time-to-go	9d 8h	
Details	>	
Alarms	>	

Une fois raccordé, l'appareil GX peut être utilisé pour lire tous les paramètres de la batterie supervisée.

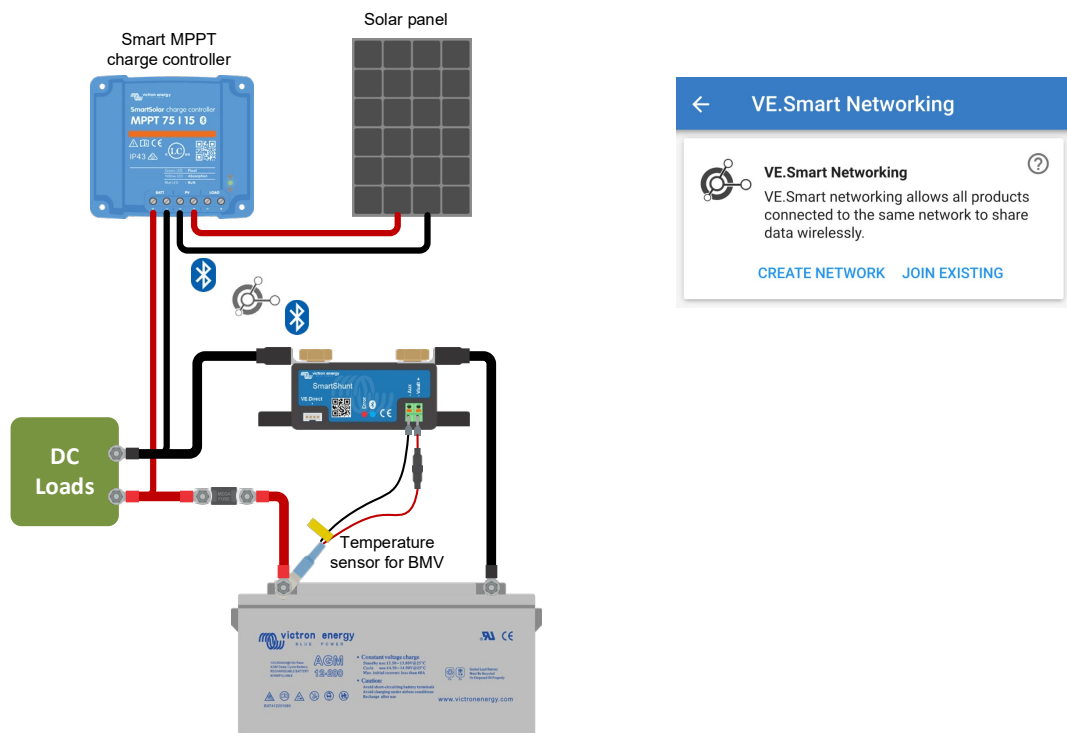


6.3 Connexion à un réseau VE.Smart

Le réseau VE.Smart est un réseau sans fil qui permet à un certain nombre de produits Victron d'échanger des données via Bluetooth. Le SmartShunt peut partager la tension et la température de la batterie (sonde de température en option nécessaire) avec le réseau VE.Smart.

Par exemple : un réseau VE.Smart contenant un Smartsolar avec une sonde de température et un chargeur solaire MPPT : le chargeur solaire reçoit l'information relative à la température et la tension de la batterie depuis le Smartshunt, et il utilise cette information pour optimiser ses paramètres de charge. Cela permettra d'améliorer l'efficacité de la charge et de prolonger la durée de vie de la batterie.

Pour que le Smartshunt fasse partie d'un réseau VE.Smart, vous devrez soit créer un réseau, soit rejoindre un réseau existant. Ce paramètre se trouve dans « SmartShunt settings > smart networking » (Paramètres SmartShunt > réseautage intelligent). Veuillez consulter le manuel du réseau VE.Smart pour de plus amples renseignements : <https://www.victronenergy.com/live/victronconnect:ve-smart-networking>



6.4 Intégration personnalisée (programmation nécessaire)

Le port de communications VE.Direct peut être utilisé pour lire des données et changer les paramètres. Le protocole VE.Direct est extrêmement simple à mettre en œuvre. La transmission de données vers le Smartshunt n'est pas nécessaire pour des applications simples : le Smartshunt enverra automatiquement les relevés de mesures toutes les secondes.

Tous les détails sont expliqués dans ce document :

https://www.victronenergy.com/upload/documents/Whitepaper-Data-communication-with-Victron-Energy-products_EN.pdf

7 TOTALITÉ DES FONCTIONS ET PARAMÈTRES

7.1 Paramètres de la batterie

Ces paramètres peuvent être utilisés pour ajuster le Smartshunt. Soyez prudent lorsque vous modifiez ces paramètres, car une modification aura un effet sur le calcul de l'état de charge du Smartshunt.

7.1.1 Capacité de la batterie

Ce paramètre est utilisé pour dire au Smartshunt quelle est la capacité de la batterie. Ce paramètre devrait déjà avoir été défini durant l'installation initiale du Smartshunt.

Le paramètre est la capacité d'une batterie exprimée en ampères-heures (Ah). Pour davantage de renseignements, consultez le chapitre 8 : « Battery capacity and Peukert exponent ».

Configuration par défaut	Plage	Écart
200 Ah	1 – 9 999 Ah	1 Ah

7.1.2 Tension de pleine charge

La tension de la batterie doit être supérieure à cette valeur pour que celle-ci soit considérée comme pleine. Dès que le Smartshunt détecte que la tension de la batterie a atteint la « tension de pleine charge » et que le courant a chuté en dessous du « courant de queue » pendant un certain temps, le Smartshunt définira l'état de charge sur 100 %.

Configuration par défaut	Plage	Écart
0 V	0 - 95 V	0.1 V

Le paramètre de « Pleine charge » devrait être défini sur 0,2 V ou 0.3 V en dessous de la tension Float du chargeur. Sinon, consultez le tableau ci-dessous indiquant la configuration recommandée.

Paramètres recommandés pour les batteries au plomb-acide :

Tension de batterie nominale	Tension de pleine charge
12 V	13,2 V
24 V	26.4 V
36 V	39.6 V
48 V	52.8 V

7.1.3 Seuil de décharge

Le paramètre de « Seuil de décharge » est utilisé pour calculer l'autonomie restante. L'autonomie restante est le temps nécessaire pour que soit atteint le Seuil de décharge défini.

Configuration par défaut	Plage	Écart
50 %	0 - 99 %	1 %

7.1.4 Courant de queue

La batterie est considérée comme étant entièrement chargée dès que le courant de queue chute en dessous du paramètre de Courant de queue défini. Le paramètre de « courant de queue » est exprimé en un pourcentage de la capacité de batterie.

Remarque : certains chargeurs de batteries suspendent la charge si le courant chute en dessous d'un seuil prédéterminé. Dans ce cas, le courant de queue doit être paramétré avec une valeur supérieure à ce seuil.

Dès que le Smartshunt détecte que la tension de la batterie a atteint la « tension de pleine charge » et que le courant a chuté en dessous du « courant de queue » pendant un certain temps, le Smartshunt définira l'état de charge sur 100 %.

Configuration par défaut	Plage	Écart
4.00 %	0.50 – 10.00 %	0.1 %

7.1.5 Temps de détection de pleine charge.

Il s'agit du temps durant lequel les paramètres « pleine charge » et « courant de queue » doivent persister pour considérer la batterie comme étant entièrement rechargée.

Configuration par défaut	Plage	Écart
3 minutes	0 – 100 minutes	1 minute.

7.1.6 Indice de Peukert

Si l'indice n'est pas connu, il est recommandé de maintenir cette valeur à 1.25 (par défaut) pour les batteries plomb-acide et de la modifier à 1,05 pour les batteries au lithium-ion. Une valeur de 1.00 désactive la compensation Peukert. Pour davantage de renseignements, consultez le chapitre 8 : « Battery capacity and Peukert exponent »

Configuration par défaut	Plage	Écart
1.25	1.00 – 1.50	0.01

7.1.7 Facteur d'efficacité de charge

Le « Facteur d'Efficacité de Charge » compense les pertes de capacité (Ah) qui se produisent pendant la charge. Un paramètre de 100 % équivaut à aucune perte.

Configuration par défaut	Plage	Écart
95 %	50 – 100 %	1 %

L'efficacité de charge est presque de 100 % tant qu'aucune génération de gaz n'a lieu. Un dégagement gazeux signifie qu'une partie du courant de charge n'est pas transformée en énergie chimique stockée dans les plaques de la batterie, mais qu'elle est utilisée pour décomposer l'eau en gaz oxygène et hydrogène (hautement explosif !). L'énergie stockée dans les plaques peut être récupérée lors de la prochaine décharge, alors que l'énergie utilisée pour décomposer l'eau est perdue.

Les dégagements gazeux peuvent être facilement observés dans les batteries à électrolyte liquide. Notez que la fin de la phase de charge, « seulement oxygène », des batteries à électrolyte gélifié sans entretien (VRLA) et des batteries AGM, entraîne aussi une efficacité de charge réduite.

Une charge d'efficacité de 95 % signifie que 10 Ah doivent être transférés à la batterie pour obtenir réellement 9.5 Ah stockés dans la batterie. L'efficacité de charge d'une batterie dépend du type de batterie, de son ancienneté et de l'usage qui en est fait. Le Smartshunt prend en compte ce phénomène avec le facteur d'efficacité de charge.

7.1.8 Seuil de courant

Lorsque le courant mesuré tombe en dessous du « Seuil de courant », il est considéré comme nul. Ce « seuil de courant » permet de s'affranchir des courants très faibles qui peuvent dégrader à long terme l'état de charge, dans un environnement perturbé. Par exemple, si le courant réel à long terme est de 0.0 A et que le contrôleur de batterie mesure -0.05 A en raison de perturbations ou de légers décalages, à long terme le Smartshunt pourrait indiquer à tort que la batterie est vide ou qu'elle a besoin d'être rechargée. Dans cet exemple, si le seuil de courant est défini sur 0.1 A, le Smartshunt utilisera 0.0 A pour son calcul, éliminant ainsi les erreurs. Une valeur de 0.0 A désactive cette fonction.

Configuration par défaut	Plage	Écart
0.10 A	0.00 – 2,00 A	0.01 A

7.1.9 Fenêtre de calcul d'autonomie restante

Cette valeur indique la fenêtre de calcul (en minutes) utilisée par le filtre pour calculer la moyenne d'autonomie restante. La valeur 0 désactive le filtre et fournit une lecture instantanée (en temps réel). Cependant, la valeur affichée « autonomie restante » est susceptible de varier fortement. En sélectionnant la valeur la plus élevée (12 minutes), on s'assure que seules les fluctuations de charge à long terme sont incluses dans le calcul de l'autonomie restante.

Configuration par défaut	Plage	Écart
3 minutes	0 – 12 minutes	1 minute.

7.1.10 Démarrage synchronisé de la batterie

L'état de charge de la batterie sera de 100 % une fois le Smartshunt allumé. Si ce paramètre est défini sur ON, le Smartshunt se considérera comme synchronisé à l'allumage, avec un état de charge de 100 %. S'il est défini sur OFF, le Smartshunt se considérera comme n'étant pas synchronisé à l'allumage, donnant un état de charge inconnu jusqu'à la première synchronisation réelle.

Configuration par défaut	Plage
ON	ON/OFF

Veillez noter qu'en configurant cette fonction sur ON, des situations peuvent survenir requérant des considérations spéciales. Une de ces situations survient dans des systèmes dans lesquels la batterie est souvent déconnectée du Smartshunt, par exemple, sur un bateau. Si vous quittez le bateau et que vous déconnectez le système CC à travers le disjoncteur CC, et qu'à cet instant les batteries sont chargées, par exemple, à 75 % En revenant sur le bateau, le système CC se reconnecte, et le Smartshunt indiquera à présent 100 %. Cela donnera la fausse impression que les batteries sont pleines, alors qu'en fait, elles sont en partie déchargées.

Il y a deux moyens de résoudre cette situation : une consiste à déconnecter le Smartshunt lorsque les batteries sont partiellement déchargées, ou éteindre la fonction « Démarrage synchronisé de la batterie ». À présent, lorsque le Smartshunt est reconnecté, l'état de charge affichera « --- », et non 100 %, tant que les batteries ne seront pas entièrement rechargées. Veuillez noter que le fait de laisser une batterie au plomb-acide partiellement déchargée pendant un certain temps endommagera cette batterie.

7.1.11 État de charge

Ce paramètre permet de définir manuellement la valeur de l'état de charge. Il n'est actif que lorsque le Smartshunt a été synchronisé, au moins une fois. Que ce soit automatiquement ou manuellement.

Configuration par défaut	Plage	Écart
--%	0.0 - 100 %	0.1 %

7.1.12 Synchroniser le SOC sur 100 %

Cette option peut être utilisée pour synchroniser manuellement le Smartshunt. Cliquez sur le bouton « Synchroniser » pour synchroniser le Smartshunt sur 100 %. Pour davantage de renseignements, consultez le paragraphe 5.3.2 : « Manual synchronisation ».

7.1.13 Étalonnage du courant nul

Si le Smartshunt lit un courant différent de zéro, même lorsqu'il n'existe aucune charge et que la batterie n'est pas en charge, cette option peut être utilisée pour étalonner la lecture du nul.

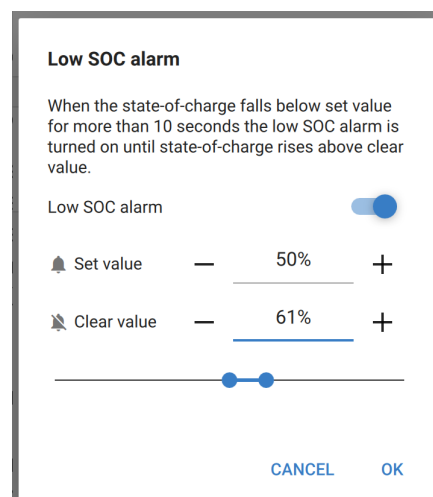
Assurez-vous qu'il n'y a aucun courant entrant ou sortant de la batterie. Pour cela, débranchez le câble entre la charge et le Smartshunt, et cliquez sur le bouton « Étalonner » pour lancer un étalonnage du courant nul.

7.2 Paramètres d'alarme

Veillez noter que le Smartshunt n'est équipé ni de buzzer ni de relais d'alarme contrairement à la série des BMV. Les alarmes produites ne sont visibles sur l'application VictronConnect que tant qu'elle est connectée au Smartshunt, ou elles sont utilisées pour envoyer un signal d'alarme à un appareil GX.

7.2.1 Configuration d'alarme du SoC

Lorsque l'option est activée, l'alarme se déclenchera si l'état de charge chute en dessous de la valeur définie pendant plus de 10 secondes. L'alarme se désactivera lorsque l'état de charge dépassera la valeur de désactivation.



Configuration par défaut	Plage
Désactivée	Désactivée/activée

Si activée	Configuration par défaut		
Configurer valeur	1 %	0 – 100 %	1 %
Valeur de désactivation	2 %	0 – 100 %	1 %

7.2.2 Alarme tension basse

Lorsque l'option est activée, l'alarme se déclenchera si la tension de batterie chute en dessous de la valeur définie pendant plus de 10 secondes. L'alarme se désactivera lorsque la tension de la batterie dépassera la valeur de désactivation.

Configuration par défaut	Plage
Désactivée	Désactivée/activée

Si activée	Configuration par défaut		
Configurer valeur	1.0 V	0 - 95.0 V	0.1 V
Valeur de désactivation	1.1 V	0 - 95.0 V	0.1 V

7.2.3 Alarme de tension élevée

Lorsque l'option est activée, l'alarme se déclenchera si la tension de batterie dépasse la valeur définie pendant plus de 10 secondes. L'alarme se désactivera lorsque la tension de la batterie passera en dessous de la valeur de désactivation.

Configuration par défaut	Plage
Désactivée	Désactivée/activée

Si activée	Configuration par défaut		
Configurer valeur	1.1 V	0 - 95.0 V	0.1 V

Valeur de désactivation	1.0 V	0 - 95.0 V	0.1 V
-------------------------	-------	------------	-------

7.2.4 Alarme de tension de démarrage basse

Ce paramètre n'est disponible que si l'entrée AUX a été configurée sur « Batterie de démarrage ».
Lorsque l'option est activée, l'alarme se déclenche si la tension de la batterie de démarrage chute en dessous de la valeur définie pendant plus de 10 secondes. L'alarme se désactivera lorsque la tension de la batterie de démarrage dépassera la valeur de désactivation.

Configuration par défaut	Plage
Désactivée	Désactivée/activée

Si activée	Configuration par défaut		
Configurer valeur	1.0 V	0 - 95.0 V	0.1 V
Valeur de désactivation	1.1 V	0 - 95.0 V	0.1 V

7.2.5 Alarme de tension de démarrage élevée

Ce paramètre n'est disponible que si l'entrée AUX a été configurée sur « Batterie de démarrage ».
Lorsque l'option est activée, l'alarme se déclenche si la tension de batterie de démarrage dépasse la valeur définie pendant plus de 10 secondes. L'alarme se désactivera lorsque la tension de la batterie de démarrage passera en dessous de la valeur de désactivation.

Configuration par défaut	Plage
Désactivée	Désactivée/activée

Si activée	Configuration par défaut		
Configurer valeur	1.1 V	0 - 95.0 V	0.1 V
Valeur de désactivation	1.0 V	0 - 95.0 V	0.1 V

7.2.6 Alarme d'écart du point médian

Ce paramètre n'est disponible que si l'entrée AUX a été configurée sur « Point médian ».
Lorsque l'option est activée, l'alarme se déclenche si la tension du point médian dépasse la valeur définie pendant plus de 10 secondes. L'alarme se désactivera lorsque la tension du point médian passera en dessous de la valeur de désactivation.

Configuration par défaut	Plage
Désactivée	Désactivée/activée

Si activée	Configuration par défaut		
Configurer valeur	2 %	0 - 99 %	1 %

Valeur de désactivation	1 %	0 – 99 %	1 %
-------------------------	-----	----------	-----

7.2.7 Alarme de température élevée

Ce paramètre n'est disponible que si l'entrée AUX a été configurée sur « Température ».

Lorsque l'option est activée, l'alarme se déclenchera si la température de la batterie dépasse la valeur définie pendant plus de 10 secondes. L'alarme se désactivera lorsque la température de la batterie passera en dessous de la valeur de désactivation.

Configuration par défaut	Plage
Désactivée	Désactivée/activée

Si activée	Configuration par défaut	Plage	Écart
Configurer valeur	2°C (2°F)	-99 - +99°C (-146 - +210°F)	1 °C (1 °F)
Valeur de désactivation	1 °C (2°F)	-99 - +99°C (-146 - +210°F)	1 °C (1 °F)

7.2.8 Alarme de température basse

Ce paramètre n'est disponible que si l'entrée AUX a été configurée sur « Température ».

Lorsque l'option est activée, l'alarme se déclenchera si la température de la batterie chute en dessous de la valeur définie pendant plus de 10 secondes. L'alarme se désactivera lorsque la température de la batterie dépassera la valeur de désactivation.

Configuration par défaut	Plage
Désactivée	Désactivée/activée

Si activée	Configuration par défaut	Plage	Écart
Configurer valeur	2°C (2°F)	-99 - +99°C (-146 - +210°F)	1 °C (1 °F)
Valeur de désactivation	1 °C (2°F)	-99 - +99°C (-146 - +210°F)	1 °C (1 °F)

7.3 Paramètres divers

7.3.1 Entrée AUX

Ce paramètre permet de configurer la fonction de l'entrée auxiliaire. Sélectionner entre : batterie de démarrage, point médian ou température

Configuration par défaut	Plage
Batterie de démarrage	Batterie de démarrage / Point médian / Température

7.3.2 Coefficient de température

Ce paramètre n'est disponible qu'une fois l'entrée AUX configurée sur « Température ».

La capacité de batterie disponible se réduit avec la température. D'ordinaire, la réduction, comparée à la capacité à 20 °C, est de 18 % à 0°C et 40 % à -20°C.

Le coefficient de température correspond au pourcentage de la capacité de la batterie qui change en fonction de la température, lorsque la température descend en dessous de 20°C (au-dessus de 20°C, l'influence de la température sur la capacité de la batterie est résiduelle, et n'a pas à être prise en compte). Cette valeur est exprimée en « %cap/C » ou pourcentage de capacité par degré Celsius. La valeur type (en dessous de 20°C) est 1%cap/°C pour les batteries au plomb, et 0,5%cap/°C pour les batteries au phosphate de lithium-fer.

Configuration par défaut	Plage	Écart
0.0 %cap/°C	0 - 2.0 %cap/°C	0.1 %cap/ C
0.0 %cap/°F	0 - 3,6 %cap/°C	0.1 %cap/°F

7.4 Configuration de l'unité de température.

Ce paramètre se trouve dans la section Paramètres de l'application VictronConnect. Quitter le SmartShunt en cliquant sur la flèche ←. Cela vous ramènera à la liste des appareils de l'application VictronConnect. Cliquez sur le symbole de menu ≡ puis sur le symbole de Paramètres ⚙. Vous pouvez alors sélectionner « Afficher l'unité de température ». En choisissant Celsius, la température sera affichée en °C, et en choisissant Fahrenheit, elle s'affichera en °F.

Configuration par défaut	Plage
Celsius	Celsius / Fahrenheit

7.5 Paramètres du produit

Pour accéder à ces paramètres, cliquez sur le symbole de configuration ⚙ puis sur le symbole du menu ≡.

7.5.1 Réinitialiser aux paramètres par défaut

Pour réinitialiser tous les paramètres aux valeurs par défaut, choisissez « Réinitialiser paramètres par défaut ». Veuillez noter que cette fonction ne réinitialisera que les valeurs par défaut, et non pas l'historique.

7.5.2 Nom personnalisé

Sur l'écran d'information du produit Smartshunt, vous pouvez modifier le nom du Smartshunt. Par défaut, il s'agit du nom du produit. Mais on peut avoir besoin d'un nom plus approprié. En particulier si vous utilisez plusieurs Smartshunt les uns à proximité des autres, cela peut prêter à confusion pour savoir avec quel Smartshunt vous communiquer. Par exemple, vous pouvez ajouter des numéros d'identification à leur nom, tels que : SmartShunt A, SmartShunt B, etc.

7.5.3 Micrologiciel

Aussi bien le Smartshunt que son interface Bluetooth fonctionne sur micrologiciel. Parfois, une version micrologicielle plus récente est disponible. Des nouvelles versions micrologicielles sont publiées soit pour ajouter des fonctions, soit pour régler des bogues. La vue d'ensemble du produit du Smartshunt et de son interface Bluetooth affiche les deux numéros de micrologiciel. Elle indique également si la version micrologicielle est la plus récente, et elle dispose d'un bouton permettant de mettre à jour la version.

Lors de la première installation, il est recommandé de toujours mettre à jour le micrologiciel à la version la plus récente (si disponible). Si vous connectez le Smartshunt avec une version « à mettre à jour » de VictronConnect, il contrôlera le micrologiciel, et il vous demandera de le mettre à jour si une version plus récente est disponible. VictronConnect inclut les fichiers micrologiciels actuels, de cette manière, aucune connexion Internet n'est nécessaire pour mettre à jour le micrologiciel le plus récent, tant que vous utilisez la version la plus récente de l'application VictronConnect.

Une mise à jour micrologicielle n'est pas obligatoire. Mais si vous souhaitez ne pas mettre à jour le micrologiciel, le Smartshunt ne sera disponible qu'en lecture, et vous ne pourrez modifier aucun paramètre. Les paramètres ne peuvent être modifiés que si le Smartshunt fonctionne avec la version micrologicielle la plus récente.

7.5.4 Modification du code PIN

Dans la section Information du produit de l'interface Bluetooth du SmartShunt, vous pouvez modifier le code PIN.

7.5.5 Désactiver et activer de nouveau la fonction Bluetooth

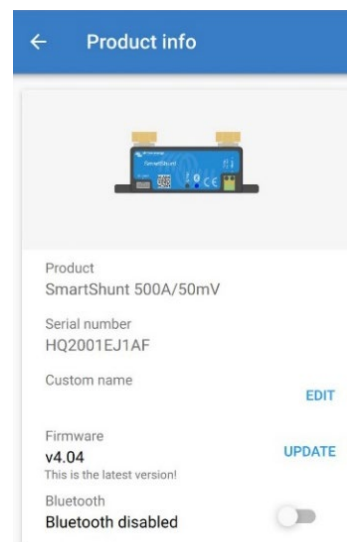
La fonction Bluetooth est activée par défaut dans le SmartShunt. Si la fonction Bluetooth n'est pas souhaitée, elle peut être désactivée. Il suffit de basculer l'interrupteur Bluetooth dans les paramètres du produit.

On peut souhaiter désactiver la fonction Bluetooth pour des raisons de sécurité, ou pour éliminer une transmission non désirée depuis le Smartshunt.

Dès que la fonction Bluetooth a été désactivée, la seule manière de communiquer avec le Smartshunt est de le faire à travers son port VE.Direct.

Cela est possible à travers l'interface USB-VE.Direct, ou à travers l'appareil GX connecté au Smartshunt via un câble VE.Direct ou l'interface USB-VE.Direct. Pour davantage de renseignements, consultez le chapitre 6 : « Interfacing ».

La fonction Bluetooth peut être à nouveau réactivée en connectant le Smartshunt à l'application VictronConnect grâce à l'interface VE.Direct-USB. Une fois connectée, vous pouvez naviguer dans le menu des paramètres du produit et réactiver la fonction Bluetooth.




7.5.6 Numéro de série


Le numéro de série se trouve dans la section Information du produit Smartshunt, ou sur l'étiquette d'information du produit collée sur le Smartshunt.

7.6 Enregistrer, charger et partager les paramètres

Le menu des Paramètres montre les trois symboles suivants :

 **Enregistrer les paramètres dans un fichier** - Permet d'enregistrer les paramètres à des fins de référence ou d'utilisation ultérieure.

 **Charger des paramètres depuis un fichier** – Permet de charger des paramètres enregistrés précédemment.

 **Partager un fichier de paramètres** – Permet de partager un fichier de paramètres via courriel, message, Airdrop, etc. Les options de partage disponibles dépendent de la plate-forme utilisée.

Pour davantage de détails concernant ces fonctions, consultez le manuel VictronConnect : <https://www.victronenergy.com/live/victronconnect:start>

7.7 Réinitialiser l'historique

Ce paramètre se trouve en bas de l'onglet Historique. N'oubliez pas que les données historiques sont un outil important pour effectuer un suivi du rendement de la batterie, et elles sont également nécessaires pour diagnostiquer d'éventuels problèmes liés à la batterie. Ne supprimez pas l'historique à moins que le banc de batterie soit remplacé.

7.8 Réinitialiser Code PIN

Ce paramètre se trouve dans la section Paramètres de l'application VictronConnect. Quitter le SmartShunt en cliquant sur la flèche ←. Cela vous ramènera à la liste des appareils de l'application VictronConnect. À présent, cliquez sur le symbole de menu ☰ à côté de la liste de Smartshunt.

Une nouvelle fenêtre s'ouvrira pour vous permettre de réinitialiser le code PIN à sa valeur par défaut : 000000. Afin de pouvoir réinitialiser le code PIN, vous devrez saisir le code PUK unique du Smartshunt. Le code PUK est imprimé sur l'étiquette d'information du produit collée sur le Smartshunt.

8 CAPACITE DE BATTERIE ET COEFFICIENT DE PEUKERT

La capacité de la batterie est exprimée en Ampère-heure (Ah), et elle indique la quantité de courant que peut fournir une batterie au fil du temps. Par exemple : si une batterie de 100 Ah est déchargée avec un courant constant de 5 A, la batterie sera entièrement déchargée au bout de 20 heures.

Le taux auquel une batterie est déchargée est exprimé comme étant la valeur nominale C. La valeur nominale C indique combien d'heures une batterie durera avec une capacité donnée. 1C est le taux 1 h, et il signifie que le courant de décharge déchargera entièrement la batterie au bout d'une heure. Pour une batterie ayant une capacité de 100 Ah, cela équivaut à un courant de décharge de 100 A. Un taux de 5C pour cette batterie serait 500 A pour 12 minutes (1/5 heure), et un taux C5 serait 20 A pour 5 heures.

La capacité de la batterie dépend du taux de décharge. Plus le taux de décharge est rapide, moins il y aura de capacité disponible. La relation entre une décharge lente ou rapide peut être calculée par la loi de Peukert, et elle est exprimée par l'indice de Peukert. La chimie de certaines batteries souffre davantage de ce phénomène que d'autres. Les batteries au plomb-acide sont plus touchées que les batteries au lithium. Le Smartshunt prend en compte ce phénomène avec l'indice de Peukert :

Exemple de taux de décharge

La valeur nominale d'une batterie au plomb est de 100 Ah à C20. Cela signifie que cette batterie peut fournir un courant total de 100 A sur 20 heures à un taux de 5 A par heure. $C20 = 100 \text{ Ah} (5 \times 20 = 100)$.

Lorsque la même batterie de 100 Ah est déchargée entièrement en deux heures, sa capacité est fortement réduite. À cause du taux de décharge élevé, elle ne peut donner que $C2 = 56 \text{ Ah}$.

La formule de Peukert

La valeur pouvant être ajustée dans la formule Peukert est l'exposant n : voir la formule ci-dessous.

Dans le Smartshunt, l'indice de Peukert peut être ajusté de 1.00 à 1.50. Plus l'indice de Peukert est élevé, plus la capacité effective diminue avec l'augmentation de l'intensité de décharge. Une batterie idéale (théorique) aurait un indice Peukert de 1.00 et une capacité fixe, quel que soit le niveau d'intensité du courant de décharge. Le paramètre par défaut pour l'indice de Peukert est 1.25 dans le Smartshunt. C'est une valeur moyenne acceptable pour la plupart des batteries au plomb.

La formule de Peukert est la suivante :

$$Cp = I^n \times t \quad \text{où l'indice de Peukert } n \text{ est :} \quad n = \frac{\log t_2 - \log t_1}{\log I_1 - \log I_2}$$

Pour calculer l'indice de Peukert, vous aurez besoin de deux valeurs nominales de capacités de batterie. Il s'agit en général du taux de décharge de 20 h, et le taux de 5 h, mais il peut également être de 10 h et 5 h, ou le taux de 20 et 10 h. L'idéal est d'utiliser un taux de décharge bas avec une valeur nominale nettement supérieure. Les valeurs nominales de la capacité de batterie se trouvent sur la fiche technique de la batterie. En cas de doute, contactez votre fournisseur de batterie.

Exemple de calculs en utilisant les valeurs nominales de 5 et 20 h.

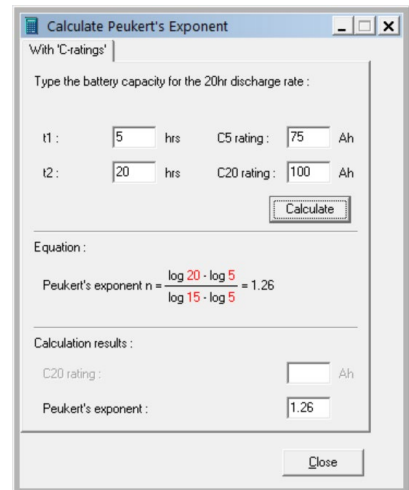
Le taux C5 est de 75 Ah. Le taux t_1 est de 5 h et I_1 est calculée : $I_1 = \frac{75Ah}{5h} = 25A$

Le taux C20 est de 100 Ah. Le taux t_2 est de 20 h et I_2 est calculée : $I_2 = \frac{100Ah}{20h} = 5A$

L'indice de Peukert est : $n = \frac{\log 20 - \log 5}{\log 15 - \log 5} = 1.26$

Une calculette Peukert est disponible sur <http://www.victronenergy.com/support-and-downloadssoftware/>

Notez que l'indice de Peukert n'est rien qu'une grossière approximation de la réalité, et que lors de courants très élevés, les batteries donneront même moins de capacité que celle prévue à partir d'un indice fixé. Nous vous recommandons de ne pas changer la valeur par défaut dans le Smartshunt, sauf dans le cas des batteries au lithium.



9 CONTRÔLE DE LA TENSION MÉDIANE

Une mauvaise cellule ou une mauvaise batterie peut détruire un banc de batteries de grande taille et onéreux. Par exemple, un court-circuit ou un courant de fuite interne élevé sur une cellule aura pour résultat une charge trop faible sur cette cellule, et une surcharge sur les autres cellules. De même, une mauvaise batterie au sein d'un banc de 24 ou 48 V, composé de plusieurs batteries de 12 V raccordées en série/parallèle, peut détruire l'ensemble du banc.

De plus, si de nouvelles cellules ou batteries sont connectées en série, elles devront avoir le même état-de-charge initial. Les petites différences seront aplanies pendant l'absorption ou la charge d'égalisation, mais les grandes différences provoqueront des dommages pendant la charge du fait d'un dégagement gazeux excessif des cellules ou des batteries ayant l'état de charge initial le plus élevé.

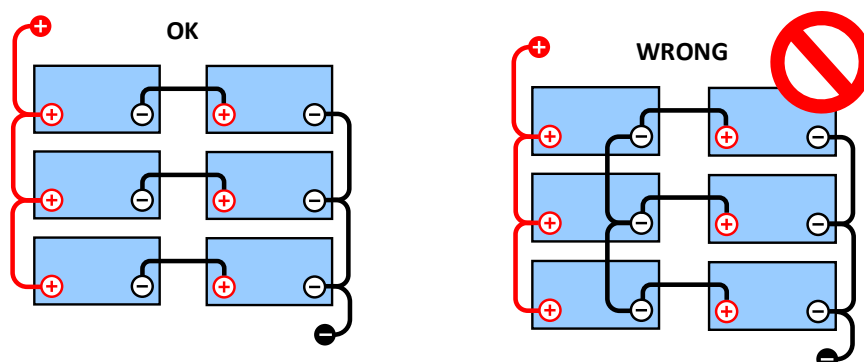
Une alarme ponctuelle peut être générée en contrôlant le point médian du banc de batteries (par ex. en divisant la tension de série en deux et en comparant les deux moitiés de tension de série).

L'écart du point médian sera léger si le banc de batteries est au repos, et il augmentera :

- à la fin de la phase Bulk pendant la charge (la tension des cellules correctement chargées augmentera rapidement, tandis que les cellules déphasées devront encore être chargées).
- Lors de la décharge du banc de batteries jusqu'à ce que la tension des cellules les plus faibles commence à baisser rapidement.
- À des taux de charge et décharge élevés.

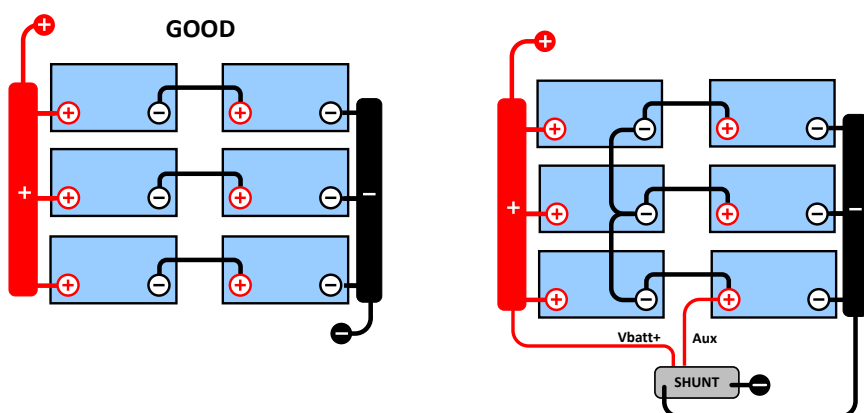
9.1 Schémas de câblage du point médian et du banc de batteries

9.1.1 Connexion et supervision du point médian dans un banc de batteries de 24 V.



En raison de la chute de tension sur les câbles positif et négatif, la tension du point médian n'est pas identique.

Dans le cas d'un banc de batteries non supervisé, les points médians ne devraient pas être connectés entre eux :

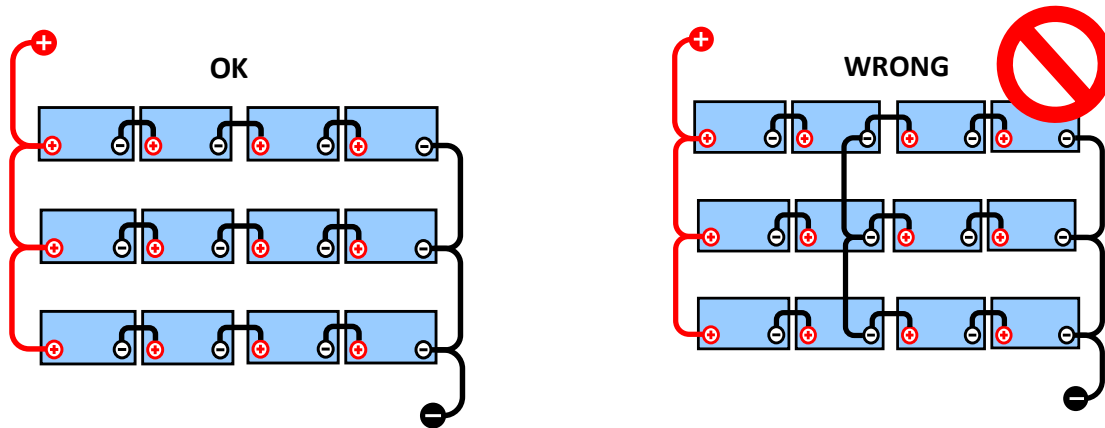


un mauvais banc de batteries peut passer inaperçu et endommager toutes les autres batteries.

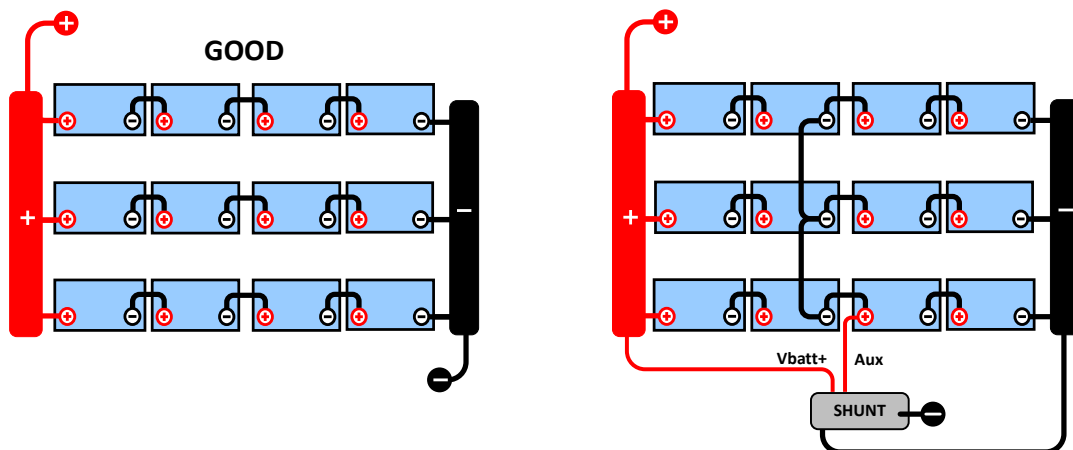
Utilisez toujours des barres omnibus lors de la supervision de la tension du point médian. Les câbles des barres omnibus doivent toutes avoir la même longueur.

Les points médians ne peuvent être connectés que si une action corrective est prise en cas d'alarme.

9.1.2 Connexion et supervision du point médian sur un banc de batteries de 48 V.



En raison de la chute de tension sur les câbles positif et négatif, la tension du point médian n'est pas identique.



Dans le cas d'un banc de batteries non supervisé, les points médians ne devraient pas être connectés entre eux : un mauvais banc de batteries peut passer inaperçu et endommager toutes les autres batteries.

Utilisez toujours des barres omnibus lors de la supervision de la tension du point médian. Les câbles des barres omnibus doivent toutes avoir la même longueur.

Les points médians ne peuvent être connectés que si une action corrective est prise en cas d'alarme.

9.2 Calcul de l'écart du point médian

Le SmartShunt mesure le point médian, puis calcule l'écart en pourcentage par rapport au point médian espéré.

$$\text{Deviation} = \frac{100 \times (\text{top string voltage} - \text{bottom string voltage})}{\text{battery voltage}}$$

$$d = \frac{100 \times (V_t - V_b)}{V}$$

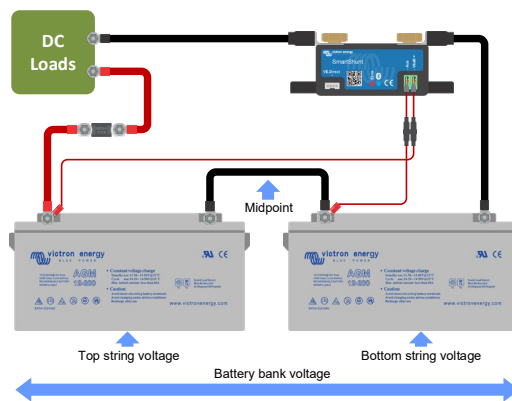
Où :

d est l'écart en %

V_t est la tension de série la plus haute

V_b est la tension de série la plus basse

V est la tension de la batterie ($V = V_t + V_b$)



9.3 Paramétrer le niveau d'alarme

Dans le cas des batteries VRLA (électrolyte gélifié ou AGM), le dégagement gazeux dû à une surcharge séchera l'électrolyte, augmentant ainsi la résistance interne, et provoquera des dommages irréparables. Les batteries VRLA à plaque plane commencent à perdre de l'eau quand la tension de charge se rapproche de 15 V (batterie de 12 V). Avec une marge de sécurité, l'écart du point médian doit par conséquent rester en dessous de 2 % pendant la charge. Si par exemple, on charge un banc de batteries de 24 V à une tension d'absorption de 28,8 V, un écart de point médian de 2 % donnerait :

$$V_t = \frac{V \times d}{100} + V_b = \frac{V \times d}{100} + V - V_t = V \times \frac{1 + \frac{d}{100}}{2}$$

Donc :

$$V_t = V \times \frac{1 + \frac{d}{100}}{2} \quad \text{and} \quad V_b = V \times \frac{1 - \frac{d}{100}}{2}$$

$$V_t = 28.8 \times \frac{1 + \frac{2}{100}}{2} \approx 14.7 \quad \text{and} \quad V_b = 28.8 \times \frac{1 - \frac{2}{100}}{2} \approx 14.1$$

Évidemment, un écart du point médian de plus de 2 % entraînera une surcharge de la batterie du haut et une sous-charge de la batterie du bas. Il y a deux bonnes raisons pour configurer un niveau d'alarme pour le point médian non supérieur à $d = 2\%$.

Le même pourcentage peut s'appliquer à un banc de batteries de 12 V avec un point médian de 6 V.

Pour les bancs de batteries de 48 V, composés de batteries de 12 V raccordées en série, le % d'influence d'une batterie sur le point médian est réduit de moitié. Le niveau d'alarme du point médian peut donc être configuré à un niveau plus bas.

9.4 Retard d'alarme

Afin d'éviter que de brefs écarts – sans risque pour la batterie – ne déclenchent des alarmes, la valeur de l'écart devra dépasser la valeur configurée pendant 5 minutes avant que l'alarme ne se déclenche. Un écart dépassant la valeur établie avec un facteur de deux ou plus déclenchera l'alarme au bout de 10 secondes.

9.5 Que faire en cas d'alarme pendant la charge ?

S'il s'agit d'un nouveau banc de batteries

L'alarme est généralement due à des différences dans l'état de charge initial de la batterie individuelle. Si l'écart augmente de plus de 3 %, vous devriez arrêter la recharge du banc de batteries, et recharger les batteries individuelles ou les cellules séparément. Une autre façon de faire consiste à réduire fortement le courant de charge entrant dans le banc de batteries, ce qui permettra aux batteries de s'égaliser peu à peu.

Si le problème persiste après plusieurs cycles de charge-décharge, suivez la procédure ci-après :

- Dans le cas d'une connexion en parallèle - série, déconnectez la connexion en parallèle du point médian et mesurez la tension médiane individuelle pendant la charge d'absorption pour isoler les batteries ou les cellules devant être davantage chargées.
- Chargez et testez toutes les batteries ou cellules de manière individuelle.

Dans le cas d'une batterie plus ancienne, mais qui a bien fonctionné dans le passé, le problème peut être dû à un niveau de sous-charge systématique. Dans ce cas, des recharges plus fréquentes, ou une charge d'égalisation est nécessaire. N'oubliez pas que seules les batteries de type OPzS ou à plaque plane à décharge poussée peuvent être égalisées. Une meilleure charge régulière résoudra le problème. S'il y a une ou plusieurs cellules défaillantes :

- Dans le cas d'une connexion en parallèle - série, déconnectez la connexion en parallèle du point médian et mesurez la tension médiane individuelle pendant la charge d'absorption pour isoler les batteries ou les cellules devant être davantage chargées.
- Chargez et testez toutes les batteries ou cellules de manière individuelle.

9.6 Que faire en cas d'alarme pendant la décharge ?

Les batteries ou cellules individuelles d'un banc de batteries ne sont pas identiques, et en déchargeant entièrement un banc de batteries, la tension de certaines cellules commencera à chuter avant celle des autres. L'alarme de point médian se déclenche donc presque toujours après un cycle de décharge poussée. Si l'alarme de point médian se déclenche bien avant (et ne se déclenche pas durant la charge), certaines batteries ou cellules ont peut-être perdu leur capacité, ou développé une résistance interne supérieure aux autres. Le banc de batteries a peut-être atteint la fin de sa durée de vie, ou bien, une ou plusieurs cellules ou certaines batteries présentent un défaut :

- Dans le cas d'une connexion en parallèle - série, déconnectez la connexion en parallèle du point médian et mesurez la tension médiane individuelle pendant la décharge pour isoler les batteries ou les cellules défectueuses.
- Chargez et testez toutes les batteries ou cellules de manière individuelle.

9.7 Équilibreur de batterie

Il est possible d'envisager d'ajouter un équilibreur de batterie au système. Un équilibreur de batterie égalise l'état de charge de deux séries de batteries de 12 V, ou de plusieurs files de batteries connectées en parallèle, ces files étant elles-mêmes raccordées en série.

Si la tension de charge d'un système de batteries de 24 V s'élève à plus de 27,3 V, l'équilibreur de batterie s'allumera et comparera la tension sur les deux batteries connectées en série. L'équilibreur extraira un courant de jusqu'à 0,7 A sur la batterie (ou les batteries raccordées en parallèle) ayant la tension la plus élevée. La différence de courant de charge qui en résultera garantira que toutes les batteries convergeront vers le même état de charge. Le cas échéant, plusieurs équilibreurs peuvent être installés en parallèle.

Un banc de batteries de 48 V peut être équilibré avec trois équilibreurs de batterie : un entre chaque batterie

Pour davantage de renseignements, veuillez consulter la fiche technique de l'équilibreur de batterie se trouvant sur la page du produit Équilibreur de batterie : <https://www.victronenergy.com.au/batteries/battery-balancer>

10 DÉPANNAGES

10.1 Problèmes de fonctionnalité

10.1.1 L'unité est morte, aucun voyant ne s'allume

Lors de la première connexion, le voyant LED bleu devrait clignoter sur le Smartshunt. Si ce n'est pas le cas, vérifiez le fusible sur le câble Vbatt+, puis vérifiez également le câble lui-même et ses extrémités.

Veuillez noter que le voyant LED bleu du Smartshunt peut également être éteint si la fonction Bluetooth a été désactivée. Le SmartShunt semble à plat. Voir le paragraphe 10.2.1 : « Cannot connect via Bluetooth » pour connaître les instructions à suivre pour régler ce problème.

Au cas où une sonde de température intérieure serait utilisée :

- La patte du câble M8 de la sonde de température doit être connectée au pôle positif du banc de batteries (le fil rouge de la sonde agit comme le fil d'alimentation).
- Vérifiez le fusible sur le câble positif (rouge).
- Assurez-vous que la sonde de température correcte soit utilisée. La sonde de température du MultiPlus ne fonctionne pas avec le Smartshunt.
- Assurez-vous que la sonde de température a été branchée correctement. Le câble rouge doit être branché à la borne Vbatt+ du Smartshunt, et le fil noir à la borne AUX.

Voir le paragraphe 3.4.3 : « Aux connection for temperature monitoring » concernant les instructions de connexions et le diagramme de branchement.

10.1.2 Le port auxiliaire ne fonctionne pas

Vérifiez le fusible sur le câble AUX, puis vérifiez également le câble lui-même et ses extrémités.

Si une batterie de démarrage est utilisée : assurez-vous que les deux bancs de batteries disposent d'un point négatif commun. Voir le paragraphe 3.4.1 : « Aux connection for monitoring the voltage of a second battery » concernant les instructions de connexions et le diagramme de branchement.

Au cas où une sonde de température intérieure serait utilisée :

- La patte du câble M8 de la sonde de température doit être connectée au pôle positif du banc de batteries (le fil rouge de la sonde agit comme le fil d'alimentation).
- Vérifiez le fusible sur le câble positif (rouge).
- Assurez-vous que la sonde de température correcte soit utilisée. La sonde de température du MultiPlus ne fonctionne pas avec le Smartshunt.
- Assurez-vous que la sonde de température a été branchée correctement. Le câble rouge doit être branché à la borne Vbatt+ du Smartshunt, et le fil noir à la borne AUX.

Voir le paragraphe 3.4.3 : « Aux connection for temperature monitoring » concernant les instructions de connexions et le diagramme de branchement.

10.1.3 Les paramètres ne peuvent pas être modifiés

Les paramètres ne peuvent être modifiés que si le Smartshunt fonctionne avec la version micrologicielle la plus récente. Mettez à jour le micrologiciel avec la version la plus récente à l'aide de l'application VictronConnect.

10.2 Problèmes de connexion

10.2.1 Connexion impossible via Bluetooth

Il est peu probable que l'interface Bluetooth du Smartshunt soit défectueuse. Quelques trucs à essayer avant de demander de l'assistance :

- Le Smartshunt est-il allumé ? Le voyant bleu du Bluetooth devrait clignoter. Si le voyant bleu ne clignote pas, consultez le paragraphe 10.1.1 : « Unit is dead, no lights on ».

- Un autre téléphone ou une autre tablette est-il/elle déjà connecté/e au Smartshunt ? Si c'est le cas, une lumière bleue est allumée fixement. Un seul téléphone ou une seule tablette à la fois peut être connectée à un Smartshunt à un moment donné. Assurez-vous qu'aucun autre appareil n'est connecté, et essayez à nouveau.
- L'application VictronConnect est-elle à jour ?
- Êtes-vous assez près du Smartshunt ? Dans un espace ouvert, la distance maximale est d'environ 20 mètres.
- Utilisez-vous la version Windows de l'application VictronConnect ? Cette version n'est pas compatible avec la fonction Bluetooth. Utilisez plutôt les versions Android, iOS ou MacOS (ou bien utilisez l'interface USB-VE.Direct).
- La fonction Bluetooth a-t-elle été désactivée dans les paramètres ? Voir le paragraphe 7.5.5 : « Disabling and re-enabling Bluetooth ».

Pour des problèmes de connexion, consultez la section de dépannage du manuel VictronConnect :

<https://www.victronenergy.com/live/victronconnect:start>

10.2.2 Code PIN perdu

Si vous avez perdu le code PIN, vous devrez réinitialiser le code PIN à sa valeur par défaut. Veuillez consulter le paragraphe 7.5.4 : « Changing PIN code ».

Davantage de renseignements et d'instructions se trouvent dans le manuel VictronConnect :

<https://www.victronenergy.com/live/victronconnect:start>

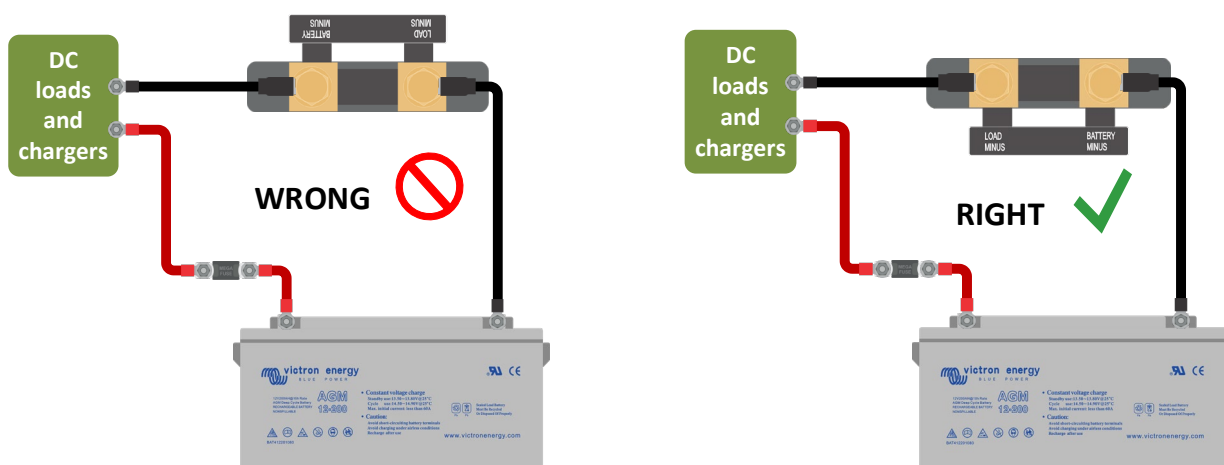
10.3 Lectures incorrectes

10.3.1 Les courants de charge et décharge sont inversés.

Le courant de charge doit être affiché avec une valeur positive. Par exemple : 1.45 A.

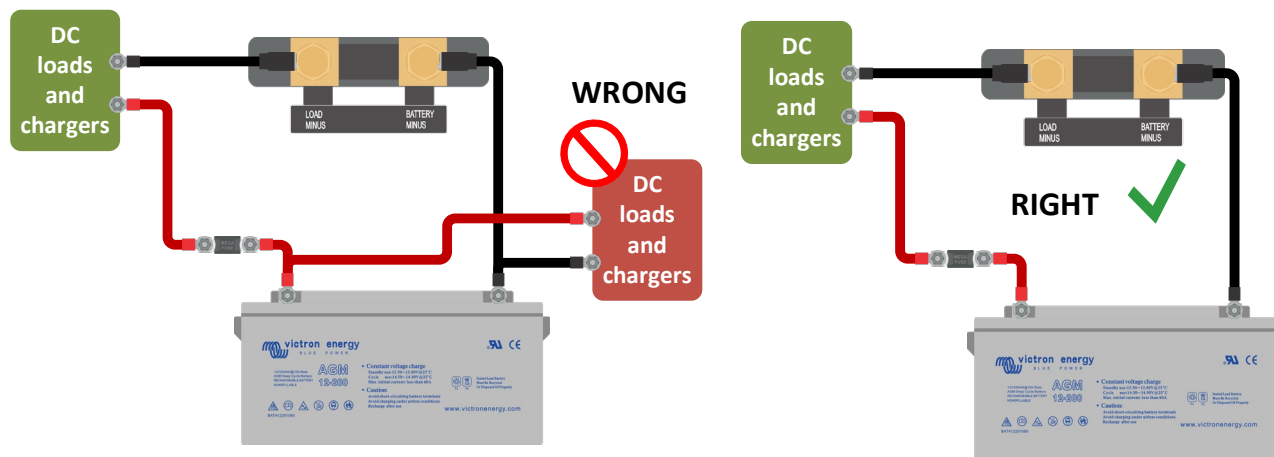
Le courant de décharge doit être affiché avec une valeur négative. Par exemple : -1.45 A.

Si les courants de charge et décharge sont inversés, alors les câbles d'alimentation négatifs sur le Smartshunt doivent être échangés : Voir le paragraphe 3.3 : « Basic electrical connections ».



10.3.2 Lecture de courant incomplète

Les négatifs de toutes les charges et sources de charge dans le système doivent être branchés sur le côté négatif du SmartShunt. Si les points négatifs des charges ou des sources de charge sont branchés directement à la borne négative de la batterie, les courants entrant dans ces charges ou sources de charge ne circuleront pas à travers le Smartshunt, et ils seront exclus de la lecture du courant, et par conséquent, également de la lecture de l'état de charge. Le SmartShunt affichera un état de charge supérieur à l'état de charge réel de la batterie.



10.3.3 Il y a une lecture de courant alors qu'aucun courant ne circule

Effectuez un étalonnage de courant nul alors que toutes les charges sont éteintes (paragraphe 7.1.13), ou bien, définissez un seuil de courant (paragraphe 7.1.8).

10.3.4 Lecture incorrecte de l'état de charge.

État de charge incorrect dû à un problème de synchronisation

L'état de charge est une valeur calculée, et il devra être réinitialisé (synchronisé) de temps à autre. Les paramètres suivants auront un effet sur le calcul de l'état de charge s'ils ont été configurés de manière incorrecte :

- Capacité de la batterie
- Tension de pleine charge et courant de queue
- Indice de Peukert et facteur d'efficacité de charge
- Paramètres d'État de charge et de synchronisation

Pour davantage de renseignements concernant ces paramètres, consultez le paragraphe 7.1 : « Battery settings ».

Consultez également le paragraphe **¡Error! No se encuentra el origen de la referencia.** suivant : « **¡Error! No se encuentra el origen de la referencia.** ».

État de charge incorrect dû à une lecture de courant incorrect

L'état de charge est calculé en examinant la quantité de courant entrant et sortant de la batterie. Si la lecture de courant est incorrecte, l'état de charge sera également incorrect. Voir le paragraphe **¡Error! No se encuentra el origen de la referencia.** : « **¡Error! No se encuentra el origen de la referencia.** ».

10.3.5 L'état de charge indique trois tirets « --- »

Cela signifie que le SmartShunt est dans un état non synchronisé. Cela arrive principalement lorsque le SmartShunt vient juste d'être installé, ou après que le SmartShunt a été laissé hors tension, et qu'il est à nouveau alimenté. Chargez les batteries et le Smartshunt se synchronisera automatiquement. Si ce n'est pas le cas, revoyez les paramètres de synchronisation. Consultez le paragraphe 5.3 : « Synchronising the SmartShunt ».

Si vous savez que la batterie est entièrement chargée, mais que vous ne souhaitez pas attendre que le Smartshunt se synchronise, cliquez alors sur le bouton Synchroniser le SoC à 100 %. Consultez le paragraphe 7.1.12 : « Synchronise SoC to 100% ».

10.3.6 L'état de charge n'atteint pas 100 %

Le SmartShunt se synchronisera et réinitialisera l'état de charge à 100 % dès que la batterie aura été entièrement rechargée. Rechargez entièrement la batterie, et vérifiez si le Smartshunt détecte correctement que la batterie a été entièrement rechargée. Si le Smartshunt ne détecte pas que la batterie est pleine, vous devrez vérifier et ajuster les paramètres de tension de pleine charge, de courant de queue et/ou de temps de pleine charge. Pour davantage de renseignements, consultez le paragraphe 5.3.1 : « Automatic synchronisation ».

L'état de charge n'augmente pas assez rapidement lors du processus de charge.

Vérifiez si la capacité de la batterie a été configurée correctement. Voir le paragraphe 7.1.1 : « Battery capacity ».

L'état de charge affiche toujours 100 %.

Une raison possible est que les câbles négatifs du Smartshunt ont été mal branchés. Consultez le paragraphe **¡Error! No se encuentra el origen de la referencia.** : « **¡Error! No se encuentra el origen de la referencia.** ».

10.3.7 Lecture de tension incorrecte

Tension de batterie principale trop basse

Problème avec le câble Vbatt+ : il est possible que le fusible, le câble lui-même ou l'une des extrémités soient défectueux, ou que les branchements soient desserrés.

Branchement incorrect : le câble Vbatt+ doit être connecté sur le point positif du banc de batteries, non au milieu du banc.

Si une sonde de température est utilisée, assurez-vous que la sonde soit branchée sur la borne positive du banc de batteries, et non à mi-chemin du banc.

Tension de batterie de démarrage trop basse

Problème avec le câble AUX : il est possible que le fusible, le câble lui-même ou l'une des extrémités soient défectueux, ou que les branchements soient desserrés.

Tension de la batterie de démarrage manquante

Assurez-vous que les deux batteries partagent un point négatif commun. Pour connaître les instructions relatives au branchement correct de la batterie de démarrage, consultez le paragraphe 3.4.1 : « Aux connection for monitoring the voltage of a second battery ».

10.3.8 Problèmes de synchronisation

Le Smartshunt ne se synchronise pas automatiquement

Cela peut être dû au fait que la batterie n'atteint jamais un état de charge complet. Chargez entièrement la batterie, et vérifiez que l'état de charge indique finalement 100 %.

Une autre possibilité est que la configuration de la tension chargée devrait être réduite et/ou le paramètre de courant de queue devrait être augmenté. Voir le paragraphe 5.3 : « Synchronising the SmartShunt ».

Le Smartshunt se synchronise trop tôt.

Cela peut être le cas dans des systèmes solaires ou dans d'autres applications présentant des fluctuations des courants de charge. Prenez les mesures suivantes pour réduire le risque que le Smartshunt ne configure de manière prématurée l'état de charge sur 100 %.

- Augmentez la tension « pleine charge » légèrement en dessous de la tension de charge d'absorption. Par exemple : 14,2 V dans le cas d'une tension d'absorption de 14,4 V (pour une batterie de 12 V).
- Augmentez le temps de détection de « pleine charge » et/ou réduisez le courant de queue pour éviter une réinitialisation précoce due à des passages de nuages.
- Voir le paragraphe 5.3 : « Synchronising the SmartShunt ».

L'état de charge indique trois tirets « --- » :

Cela signifie que le SmartShunt est dans un état non synchronisé. Cela arrive principalement lorsque le SmartShunt vient juste d'être installé, ou après que le SmartShunt a été mis hors tension, puis à nouveau mis sous tension. Chargez les batteries et le Smartshunt se synchronisera automatiquement. Si ce n'est pas le cas, revoyez les paramètres de synchronisation. Consultez le paragraphe 5.3 : « Synchronising the SmartShunt ».

Si vous savez que la batterie est entièrement chargée, mais que vous ne souhaitez pas attendre que le Smartshunt se synchronise, cliquez alors sur le bouton Synchroniser le SoC à 100 %. Consultez le paragraphe 7.1.12 : « Synchronise SoC to 100% ».

11 CARACTÉRISTIQUES TECHNIQUES

SmartShunt	500 A/1000 A/2000 A
Plage de tension d'alimentation	6.5 - 70 VCC
Appel de courant	< 1 mA
Plage de tension d'entrée, batterie auxiliaire	6.5 - 70 VCC
Capacité de la batterie (Ah)	1 - 9999 Ah
Plage de température d'exploitation	-40 +50°C (-40 - 120°F)
Mesure la tension d'une seconde batterie, la température* ou le point médian	Oui
Plage de mesures de la température*	-20 +50°C
Port de communication VE.Direct	Oui
RÉSOLUTION ET PRÉCISION	
Courant	± 0.1 A
Tension	± 0.01 V
Ampères-heures	± 0.1 Ah
État de charge (0 – 100 %).	± 0.1 %
Autonomie restante	± 1 min
Température (0 - 50°C ou 30 - 120°F)	± 1°C/°F
Précision de mesure du courant	± 0.4 %
Offset	Moins de 10/20/40 mA
Précision de mesure de la tension	± 0.3 %
INSTALLATION et DIMENSIONS	
Dimensions (h x l x p)	500 A : 46 x 120 x 54 mm 1000 A : 68 x 120 x 54 mm 2 000 A : 68 x 120 x 76 mm
Degré de protection	IP21
NORMES	
Sécurité	EN 60335-1
Émission/Immunité	EN-IEC 61000-6-1 – EN-IEC 61000-6-2 EN-IEC 61000-6-3
Automobile	EN 50498
Câbles (fournis)	2 câbles avec fusible pour la connexion « + » et AUX
Sonde de température	En option (ASS000100000)

* Uniquement lorsque la sonde de température est connectée, cette sonde n'est pas incluse

Inhaltsverzeichnis

1	Sicherheitsvorkehrungen	4
1.1	Sicherheitswarnungen für die Batterie	4
1.2	Transport und Lagerung	4
2	Einführung	5
2.1	SmartShunt	5
2.2	Warum ist Batterieüberwachung so wichtig?	5
2.3	Größe	5
2.4	VictronConnect	5
2.5	Zubehör	5
3	Installation	6
3.1	Lieferumfang	6
3.2	Montage	6
3.3	Grundlegende elektrische Verbindungen	6
3.3.1	Batterie-Minus-Anschluss	6
3.3.2	Last-Minus-Anschluss	6
3.3.3	Vbatt+ Anschluss	6
3.4	Elektrische Hilfsanschlüsse	7
3.4.1	Aux-Anschluss zur Überwachung der Spannung einer zweiten Batterie	7
3.4.2	Aux-Anschluss zur Überwachung des Mittelpunktes einer Batteriebank	7
3.4.3	Aux-Anschluss zur Temperaturüberwachung	8
3.5	GX-Geräteanschluss	9
4	Inbetriebnahme	10
4.1	VictronConnect herunterladen und installieren	10
4.2	Platzieren Sie die Sicherung	10
4.3	Mit dem SmartShunt verbinden	10
4.4	Firmware aktualisieren	10
4.5	Wesentliche Einstellungen vornehmen	10
4.5.1	Stellen Sie die Einstellung der Batteriekapazität ein	11
4.5.2	Stellen Sie die Ladespannung ein	11
4.5.3	Ladezustandseinstellungen	11
4.5.4	Zusatzeingangsfunktion einstellen	12
4.6	Lithium-Einstellungen vornehmen (falls erforderlich)	12
5	Betrieb	13
5.1	Wie funktioniert der SmartShunt?	13
5.2	Übersicht der Auslesung	13
5.3	Synchronisierung des SmartShunt	14
5.3.1	Automatische Synchronisation	14
5.3.2	Manuelle Synchronisation	15
5.4	Alarme	15
5.5	Verlaufsdaten	16

- 5.6 Trends 16
- 5.7 LED-Statuscodes 16
- 6 Sich über eine Schnittstelle verbinden 17**
 - 6.1 VictronConnect über USB 17
 - 6.2 Anschluss an ein GX-Gerät und VRM 17
 - 6.3 Verbindung zum VE.Smart-Netzwerk 18
 - 6.4 Kundenspezifische Integration (Programmierung erforderlich)+ 18
- 7 Alle Funktionen und Einstellungen 19**
 - 7.1 Batterieeinstellungen 19
 - 7.1.1 Batteriekapazität 19
 - 7.1.2 Ladespannung 19
 - 7.1.3 Entladeboden 19
 - 7.1.4 Schweißstrom 19
 - 7.1.5 Zeit f. Ladezustand-Erkennung 20
 - 7.1.6 Peukert-Exponent 20
 - 7.1.7 Der Ladewirkungsgrad (Charge Efficiency Factor - CEF) 20
 - 7.1.8 Schwellwert Strom 20
 - 7.1.9 Durchschnittliche Restlaufzeit 20
 - 7.1.10 Batterie startet synchronisiert 21
 - 7.1.11 Ladezustand 21
 - 7.1.12 SoC auf 100% synchronisieren 21
 - 7.1.13 Einstellung Nullstrom 21
 - 7.2 Alarmeinstellungen 21
 - 7.2.1 SoC-Alarmeinstellung 21
 - 7.2.2 Alarm „Unterspannung“ 22
 - 7.2.3 Hochspannungsalarm 22
 - 7.2.4 Alarm bei niedriger Starterspannung 22
 - 7.2.5 Alarm bei hoher Starterspannung 23
 - 7.2.6 Alarm für Mittelpunktswabweichung 23
 - 7.2.7 Hochtemperaturalarm 23
 - 7.2.8 Alarm bei niedriger Temperatur 23
 - 7.3 Verschiedene Einstellungen 24
 - 7.3.1 Aux Zusatzeingang 24
 - 7.3.2 Temperaturkoeffizient 24
 - 7.4 Einstellung der Temperatureinheit 24
 - 7.5 Produkteinstellungen 24
 - 7.5.1 Auf Standardeinstellungen zurücksetzen 24
 - 7.5.2 Benutzerdefinierter Name 24
 - 7.5.3 Firmware 25
 - 7.5.4 Ändern des PIN-Codes 25
 - 7.5.5 Deaktivieren und erneutes Aktivieren von Bluetooth 25

7.5.6	Seriennummer	25
7.6	Speichern, Laden und Freigeben von Einstellungen	25
7.7	Verlauf zurücksetzen	26
7.8	PIN-Code zurücksetzen	26
8	Batteriekapazität und Peukert-Exponent	27
9	Überwachung der Mittelpunktspannung	29
9.1	Schaltpläne für Batteriebank und Mittelpunkt	29
9.1.1	Anschluss und Überwachung des Mittelpunktes in einer 24V-Batteriebank	29
9.1.2	Anschluss und Überwachung des Mittelpunktes in einer 48V-Batteriebank	30
9.2	Berechnung der Mittelpunktsabweichung	30
9.3	Einstellen der Alarmstufe	31
9.4	Alarmverzögerung	31
9.5	Was ist bei einem Alarm während des Ladevorgangs zu unternehmen?	31
9.6	Was bei einem Alarm während des Entladens zu tun ist	32
9.7	Der Batterieausgleicher	32
10	Fehlerbehebung	33
10.1	Funktionalitätsprobleme	33
10.1.1	Einheit ist tot, kein Licht an	33
10.1.2	Der Hilfsanschluss funktioniert nicht	33
10.1.3	Einstellungen können nicht geändert werden	33
10.2	Verbindungsprobleme	33
10.2.1	Verbindung über Bluetooth nicht möglich	33
10.2.2	PIN-Code verloren	34
10.3	Falsche Messungen	34
10.3.1	Lade- und Entladestrom sind vertauscht	34
10.3.2	Unvollständige Stromlesung	35
10.3.3	Es gibt eine Strommessung, während kein Strom fließt	35
10.3.4	Falscher Ladezustandsmesswert	35
10.3.5	Der Ladezustand zeigt drei Striche an "---"	35
10.3.6	Der Ladezustand erreicht nicht 100 %	36
10.3.7	Falsche Spannungsmessung	36
10.3.8	Synchronisationsprobleme	36
11	Technische Daten	37

1 SICHERHEITSVORKEHRUNGEN

1.1 Sicherheitswarnungen für die Batterie



Das Arbeiten in der Nähe einer Blei-Säure-Batterie ist gefährlich. Batterien können während des Betriebs explosive Gase erzeugen. In Nähe der Batterie sind das Rauchen, Funkenbildung und Flammen unbedingt zu vermeiden. Sorgen Sie dafür, dass der Standort der Batterie ausreichend durchlüftet wird.



Schützen Sie Ihre Augen und Ihre Kleidung. Vermeiden Sie es, die Augen zu berühren, wenn Sie in Nähe der Batterien arbeiten. Waschen Sie sich nach Abschluss der Arbeiten die Hände.



Bei Kontakt der Batteriesäure mit der Haut oder Kleidung, sofort mit Wasser und Seife abwaschen. Bei Kontakt mit den Augen, Augen sofort mindestens 15 Minuten lang mit kaltem Wasser ausspülen und sofort einen Arzt aufsuchen.



Seien Sie vorsichtig, wenn Sie in Nähe der Batterien mit metallischen Werkzeugen arbeiten. Fällt ein metallisches Werkzeug auf eine Batterie, kann dadurch ein Kurzschluss und möglicherweise eine Explosion ausgelöst werden.



Legen Sie persönliche Gegenstände wie Ringe, Armbänder, Ketten und Uhren ab, wenn Sie mit einer Batterie arbeiten. Eine Batterie kann durch einen Kurzschluss einen Strom erzeugen, der stark genug ist, um Gegenstände, wie z. B. einen Ring, zum Schmelzen zu bringen und so schwere Verbrennungen verursachen.

1.2 Transport und Lagerung

Lagern Sie den SmartShunt in einer trockenen Umgebung.
Die Lagertemperatur sollte betragen: -40 °C bis +60 °C.

2 EINFÜHRUNG

2.1 SmartShunt

Der SmartShunt ist ein Batteriewächter. Er misst Batteriespannung und -strom. Auf der Grundlage dieser Messungen berechnet es den Ladezustand, die Restlaufzeit und verfolgt Verlaufsdaten, wie z.B. die tiefste Entladung, die durchschnittliche Entladung und die Anzahl der Zyklen.

Der SmartShunt verbindet sich über Bluetooth mit der [VictronConnect App](#). Die VictronConnect App dient zum Auslesen aller überwachten Batterieparameter und wird auch dazu verwendet, Einstellungen vorzunehmen oder zu ändern. Alternativ kann der SmartShunt an ein [GX-Gerät](#), wie den ColorControl GX oder den Cerbo GX, angeschlossen werden.

Der SmartShunt hat einen Zusatzeingang, der zur Überwachung der Spannung einer zweiten Batterie oder zur Überwachung des Mittelpunktes einer Batteriebank verwendet werden kann. Der Zusatzeingang kann zusammen mit dem optionalen [Temperatursensor für BMV](#) auch zur Überwachung der Batterietemperatur verwendet werden.

2.2 Warum ist Batterieüberwachung so wichtig?

Batterien werden bei vielseitigen Anwendungen eingesetzt, in den meisten Fällen, um Energie für eine spätere Nutzung zu speichern. Wie viel Energie ist jedoch in der Batterie gespeichert? Die Batterie selbst zeigt dies nicht an.

Die Betriebsdauer von Batterien hängt von zahlreichen Faktoren ab. Die Lebensdauer der Batterie kann durch Unter- oder Überladung, Tiefentladung, zu hohe Lade- oder Entladeströme und hohe Umgebungstemperatur verkürzt werden. Die Überwachung der Batterie mit einem fortschrittlichen Batteriewächter gibt dem Benutzer wichtige Rückmeldungen, so dass bei Bedarf Abhilfemaßnahmen getroffen werden können. Dadurch wird die Batterielaufzeit verlängert, und der SmartShunt wird sich schnell amortisieren.

2.3 Größe

Der SmartShunt ist in 3 Größen erhältlich: 500 A, 1000 A und 2000 A.

2.4 VictronConnect

VictronConnect ist eine kostenlose App und ist für Android, iOS, MacOS oder Windows verfügbar. Sie kann in den jeweiligen App-Stores oder auf unserer Download-Seite heruntergeladen werden. VictronConnect wird benötigt, um den SmartShunt einzurichten und auszulesen.

2.5 Zubehör

Diese Teile können je nach Ihrer Einrichtung erforderlich sein:

- Temperatursensor für BMV.
- VE.Direct zu USB-Schnittstelle.
- GX-Gerät.
- VE.Direct Kabel.

3 INSTALLATION

3.1 Lieferumfang

In der Verpackung finden Sie die folgenden Teile:

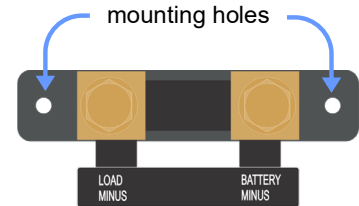
- SmartShunt 500 A, 1000 A oder 2000 A.
- Zwei rote Kabel, beide mit Sicherung.



3.2 Montage

Der SmartShunt hat zwei 5.5-mm-Löcher für Montagezwecke, die sich im Boden des SmartShunts befinden. Die Löcher können verwendet werden, um den SmartShunt auf eine harte Oberfläche zu schrauben oder zu verschrauben (Schrauben sind nicht im Lieferumfang enthalten).

Der SmartShunt hat die Schutzart IP21. Das bedeutet, dass der SmartShunt nicht wasserdicht ist und an einem trockenen Ort montiert werden muss.



3.3 Grundlegende elektrische Verbindungen

Der SmartShunt hat 3 wesentliche Anschlüsse und einen optionalen Anschluss. Dieses Kapitel beschreibt, wie diese miteinander verbunden werden können.

3.3.1 Batterie-Minus-Anschluss

Schließen Sie den Minuspol der Batterie an den M10-Bolzen auf der „BATTERIEMINUS“-Seite des SmartShunt an.

3.3.2 Last-Minus-Anschluss

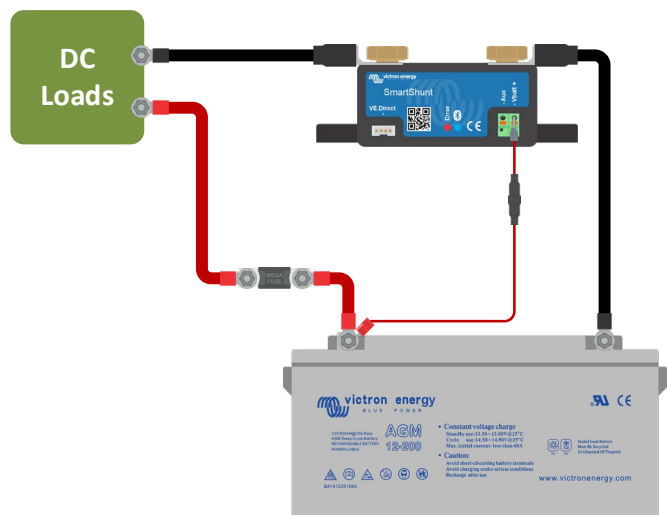
Schließen Sie das Negativ des elektrischen Systems an den M10-Bolzen auf der „LAST-MINUS“-Seite des SmartShunt an. Stellen Sie sicher, dass der Minuspol aller DC-Lasten und Ladequellen „nach“ dem SmartShunt angeschlossen wird.

3.3.3 Vbatt+ Anschluss

Schließen Sie die M8-Klemme des roten Kabels mit Sicherung an den Pluspol der Batterie an. Schließen Sie den Aderendhülsenstift des roten Kabels mit Sicherung an den SmartShunt an, indem Sie den Stift in die „Vbatt+“-Klemme drücken.

Sobald die Sicherung in das Kabel eingesetzt wird, beginnt der SmartShunt Bluetooth zu blinken. Der SmartShunt ist jetzt aktiv. Der nächste Schritt ist die Einrichtung mit der VictronConnect App. Erklärt wird dies in Kapitel 4: „Commissioning“.

Falls der Aux-Anschluss zur Überwachung einer zweiten Batterie, des Mittelpunkts oder der Temperatur verwendet werden soll, lesen Sie in einem der nächsten 3 Absätze nach, wie dies zu tun ist, und gehen Sie dann zu Kapitel 4 „Inbetriebnahme“.



3.4 Elektrische Hilfsanschlüsse

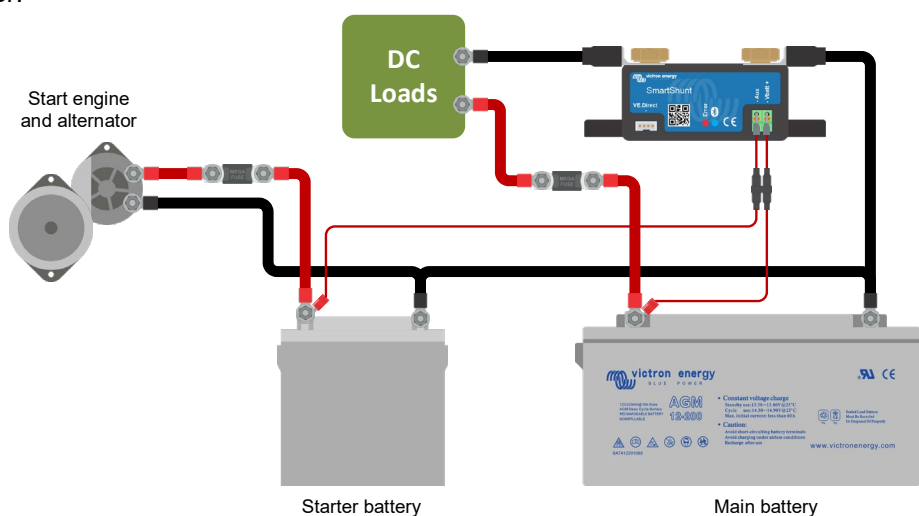
Zusätzlich zur umfassenden Überwachung der Hauptbatteriebank kann der SmartShunt einen zweiten Parameter überwachen. Dies kann die Spannung einer zweiten Batterie (Starterbatterie), die Mittelpunktsabweichung einer Batteriebank oder die Batterietemperatur sein. Um dies zu ermöglichen, ist der SmartShunt mit einem zweiten Überwachungseingang, dem Aux-Eingang, ausgestattet. In diesem Kapitel wird beschrieben, wie der Aux-Eingang für die drei möglichen konfigurierbaren Optionen verdrahtet wird.

3.4.1 Aux-Anschluss zur Überwachung der Spannung einer zweiten Batterie

Der Aux-Anschluss kann zur Überwachung der Spannung einer zweiten Batterie, z.B. einer Starterbatterie, verwendet werden.

So stellen Sie die Verbindungen her:

- Schließen Sie die M8-Klemme des roten Kabels mit Sicherung an den Pluspol der zweiten Batterie an.
- Schließen Sie den Aderendhülsenstift des roten Kabels mit Sicherung an den SmartShunt an, indem Sie den Stift in die „Aux“-Klemme drücken.
- Stellen Sie sicher, dass der Minuspol der Hauptbatterie und der Minuspol der zweiten Batterie gemeinsam sind.

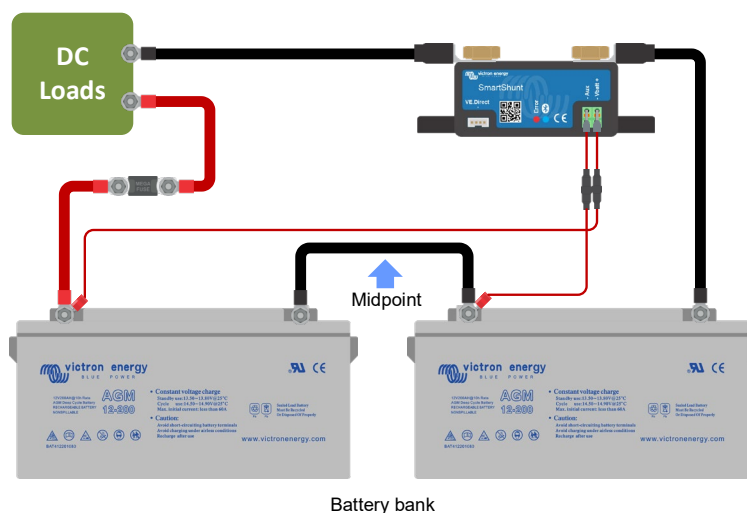


3.4.2 Aux-Anschluss zur Überwachung des Mittelpunktes einer Batteriebank

Der Aux-Anschluss kann zur Überwachung der Mittelspannung einer Batteriebank verwendet werden, die aus mehreren Batterien besteht, die in Reihe geschaltet sind, um eine 24- oder 48-V-Batteriebank zu bilden.

So stellen Sie die Verbindungen her:

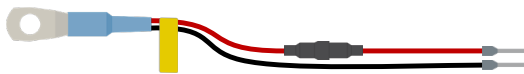
- Schließen Sie die M8-Klemme des roten Kabels mit Sicherung an den Pluspol des Mittelpunktes an.
- Schließen Sie den Aderendhülsenstift des roten Kabels mit Sicherung an den SmartShunt an, indem Sie den Stift in die „Aux“-Klemme drücken.



Für weitere Informationen zur Mittelpunktüberwachung siehe Kapitel 9. Dieses Kapitel enthält auch Informationen und Schaltpläne zur Überwachung des Mittelpunkts von Batteriebanken, die in Reihe/parallel verdrahtet wurden.

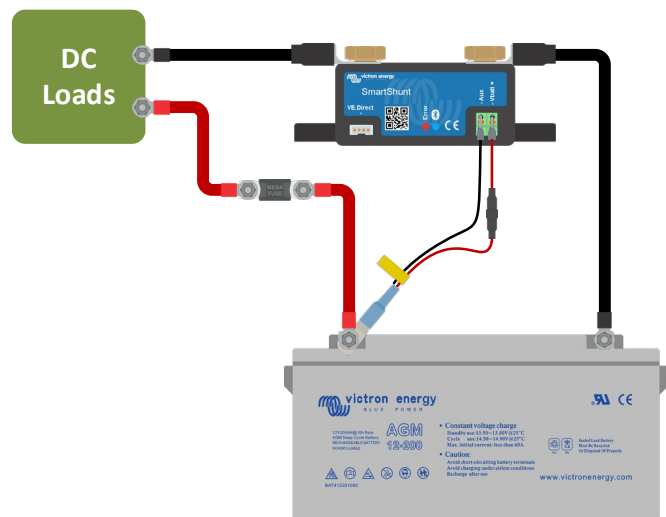
3.4.3 Aux-Anschluss zur Temperaturüberwachung

Der Aux-Anschluss kann zur Überwachung der Temperatur einer Batterie verwendet werden. Um die Temperatur überwachen zu können, müssen Sie folgendes erwerben: „Temperatursensor für BMV“. Dies ist ein Kabel mit integriertem Temperatursensor mit der Artikelnummer ASS000100000. Bitte beachten Sie, dass dieser Temperatursensor ein anderer Temperatursensor ist als die Temperatursensoren, die mit den Victron Wechselrichtern/Ladegeräten und Batterieladegeräten verwendet werden.



So stellen Sie die Verbindungen her:

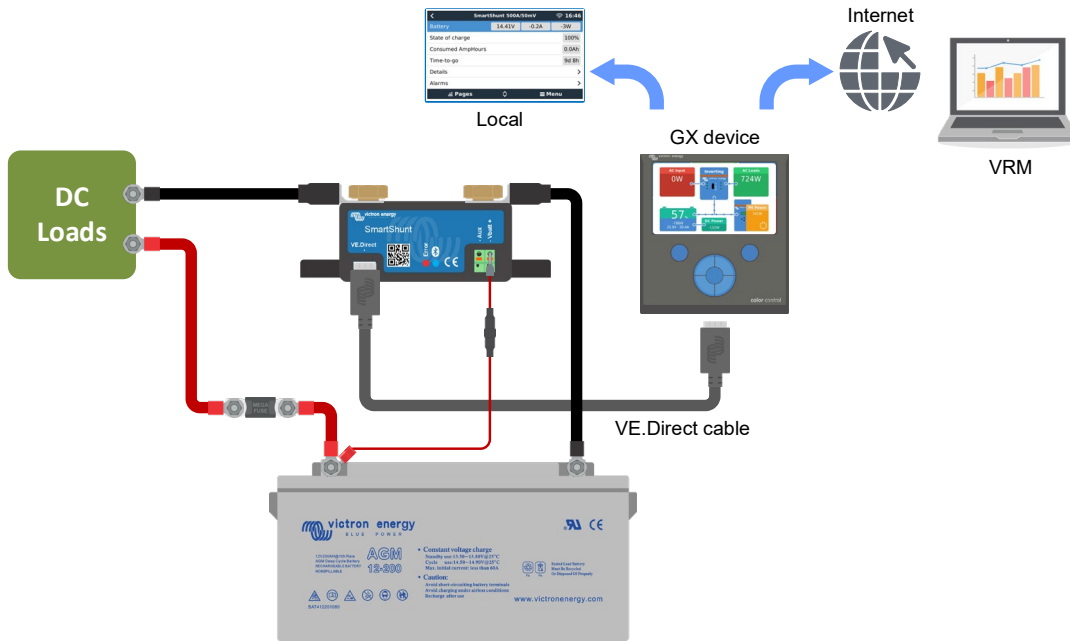
- Schließen Sie die M8-Kabelöse des Temperatursensors an den Pluspol der Batterie an.
- Schließen Sie den Aderendhülsenstift des roten Kabels (mit Sicherung) an den SmartShunt an, indem Sie den Stift in die „Vbatt +“-Klemme drücken.
- Schließen Sie den Aderendhülsenstift des schwarzen Kabels an den SmartShunt an, indem Sie den Stift in die „Aux“-Klemme drücken.



Bitte beachten Sie, dass bei Verwendung des Temperatursensors die roten Stromkabel, die mit dem SmartShunt geliefert wurden, nicht benötigt werden. Der Temperatursensor wird diese Kabel ersetzen.

3.5 GX-Geräteanschluss

Wenn das System ein GX-Gerät enthält, kann der SmartShunt über ein VE.Direct-Kabel, Teilenummer ASS03053xxxx, an ein GX-Gerät angeschlossen werden. Einmal angeschlossen, kann das GX-Gerät zum Auslesen aller überwachten Batterieparameter verwendet werden. Für weitere Informationen siehe Kapitel 6.2: „Connecting to a GX device and VRM“.



4 INBETRIEBNAHME

Sobald die elektrischen Verbindungen hergestellt sind, muss der SmartShunt eingerichtet werden. Dies geschieht mit der VictronConnect App. Diese App wird benötigt, um den SmartShunt einzurichten und auszulesen.

4.1 VictronConnect herunterladen und installieren

Um kommunizieren zu können und den SmartShunt einzurichten, müssen Sie die VictronConnect App verwenden. VictronConnect ist eine kostenlose App und ist für Android, iOS, MacOS oder Windows verfügbar. Sie kann in den jeweiligen App-Stores heruntergeladen werden. Oder alternativ siehe den Abschnitt „Downloads“ auf unserer Website: <https://www.victronenergy.com/support-and-downloads/software>.

4.2 Platzieren Sie die Sicherung

Falls nicht schon früher geschehen, legen Sie die Sicherung in das Vbatt+-Kabel. Das blaue „Bluetooth“-Licht sollte anfangen zu blinken.

4.3 Mit dem SmartShunt verbinden

Über VictronConnect mit dem SmartShunt verbinden. Dies erfolgt über Bluetooth. Es ist auch möglich, sich über USB oder über VRM (Victron Remote Monitoring) mit dem SmartShunt zu verbinden. Weitere Informationen zu diesem Thema finden Sie im Absatz 6: „Interfacing“.

So wird die Verbindung hergestellt:

- Öffnen Sie die VictronConnect App.
- Achten Sie darauf, dass der SmartShunt in der Geräteliste erscheint.
- Klicken Sie auf den SmartShunt.
- Geben Sie den Standard-PIN-Code ein, der 000000 lautet.
- Bei erfolgreicher Verbindung bleibt das „Bluetooth“-Licht an.

Nach der Eingabe des Standard-PIN-Codes wird VictronConnect Sie auffordern, den PIN-Code zu ändern. Damit sollen in Zukunft unautorisierte Verbindungen verhindert werden. Es wird empfohlen, den PIN-Code bei der ersten Installation zu ändern. Dies kann in der Registerkarte Produktinformationen erfolgen, siehe Absatz 7.5.4: „Changing PIN code“.

Weitere Informationen über VictronConnect finden Sie im VictronConnect-Handbuch:

<https://www.victronenergy.com/live/victronconnect:start>


4.4 Firmware aktualisieren

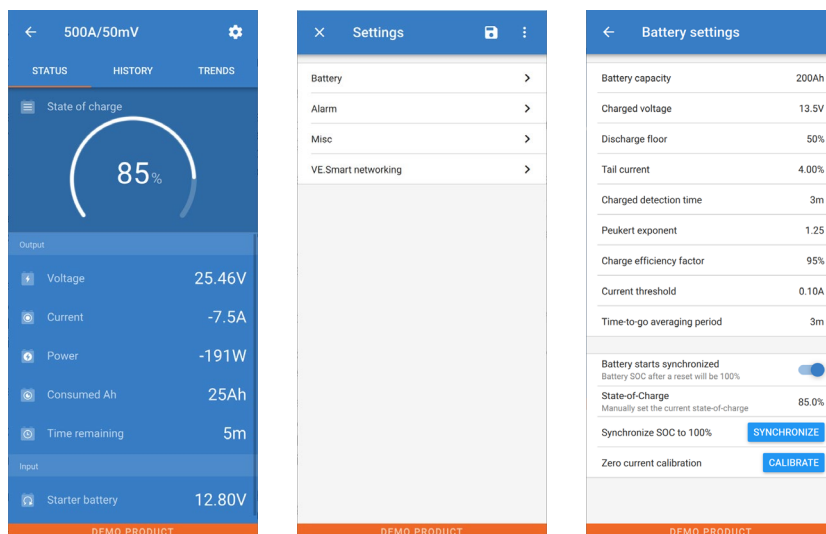
Bei der ersten Verbindung kann VictronConnect Sie auffordern, die Firmware der Bluetooth-Schnittstelle bzw. des SmartShunt zu aktualisieren. Dies sollte immer bei der ersten Installation geschehen. Ohne aktuelle Firmware können die Einstellungen nicht geändert werden und nur die Überwachung ist aktiv.

4.5 Wesentliche Einstellungen vornehmen

Die Standardeinstellungen des SmartShunt sind auf Blei-Säure-Batterien (geflutete, GEL- oder AGM-Batterien) zugeschnitten.

Bitte beachten Sie, dass im Falle von Lithiumbatterien oder Batterien mit anderen chemischen Eigenschaften einige zusätzliche Einstellungen geändert werden müssen. Nehmen Sie zunächst die wesentlichen Einstellungen wie in diesem Absatz beschrieben vor und beziehen Sie sich dann auf den nächsten Absatz für die speziellen Lithium-Einstellungen. Alternativ wenden Sie sich an Ihren Batterielieferanten und siehe Absatz 7.1: „Battery settings“.

Um Einstellungen vorzunehmen, navigieren Sie zum Einstellungsmenü, indem Sie auf die Schaltfläche  Einstellungen klicken, die sich oben rechts auf VictronConnect befindet.



Die meisten Einstellungen können standardmäßig beibehalten werden. Aber es gibt ein paar Einstellungen, die geändert werden müssen. Zu diesen gehören:

- Batteriekapazität.
- Volladungs-Spannung.
- Ladezustand oder Start synchronisiert.
- Die Funktionalität des Zusatzeingangs (falls verwendet).

Wenn Sie herausfinden wollen, was all die anderen Einstellungen bedeuten, lesen Sie den Absatz 7.1: „Battery settings“.

4.5.1 Stellen Sie die Einstellung der Batteriekapazität ein

Diese Einstellung finden Sie unter VictronConnect > Settings > Battery. Der SmartShunt ist standardmäßig auf 200 Ah eingestellt. Ändern Sie diesen Wert entsprechend Ihrer Batteriekapazität. Für weitere Informationen zur Batteriekapazität siehe Absatz 7.1.1: „Battery capacity“.

4.5.2 Stellen Sie die Ladespannung ein

Diese Einstellung finden Sie unter VictronConnect > Settings > Battery. Der SmartShunt ist standardmäßig auf 0.0 V eingestellt. Der SmartShunt erkennt die Systemspannung nicht automatisch wie der BMV. Sie werden die „Ladespannung“ einstellen müssen.

Dies sind die empfohlenen Werte der „Ladespannung“:

Batterienennspannung	Empfohlene Einstellung der Ladespannung
12V	13.2V
24V	26.4V
36V	39.6V
48V	52.8V

Für weitere Informationen über die Einstellung der Ladespannung siehe Absatz 7.1.2: „Charged voltage“.

4.5.3 Ladezustandseinstellungen

Diese Einstellung finden Sie unter VictronConnect > Settings > Battery. Wenn der SmartShunt zum ersten Mal eingeschaltet wird, zeigt der SmartShunt standardmäßig einen Ladezustand von 100% an. Wenn Sie diesen auf einen anderen Wert ändern möchten, dann ist es möglich, den Wert des Ladezustands manuell einzustellen. Für weitere Informationen siehe Absatz 7.1.10: „Battery starts synchronised“ und Absatz 7.1.11: „State of charge“

4.5.4 Zusatzeingangsfunktion einstellen

Diese Einstellung finden Sie unter VictronConnect > Settings > Multiple.
Diese Einstellung legt die Funktion des Zusatzeingangs fest, nämlich:

- Starterbatterie - Spannungsüberwachung einer zweiten Batterie.
- Mittelpunkt - Messung des Mittelpunkts einer Batteriebank.
- Temperatur - Messung der Batterietemperatur über einen optionalen Temperatursensor.

4.6 Lithium-Einstellungen vornehmen (falls erforderlich)

LiFePO₄ (Lithiumeisenphosphat oder LFP) ist die am häufigsten verwendete Li-Ionen-Batteriechemie. Die werkseitigen Voreinstellungen gelten im Allgemeinen auch für LFP-Batterien mit Ausnahme dieser Einstellungen:

- Ladeeffizienz.
- Peukert-Exponent.
- Endstrom.

Ladeeffizienz

Die Ladeeffizienz von Lithiumbatterien ist viel höher als die von Blei-Säure-Batterien. Wir empfehlen, die Ladeeffizienz auf 99% einzustellen. Für weitere Informationen siehe Absatz 7.1.7: „Charge efficiency factor“.

Peukert-Exponent

Wenn sie hohen Entladungsraten ausgesetzt sind, schneiden Lithiumbatterien wesentlich besser ab als Bleibatterien. Setzen Sie den Peukert-Exponenten auf 1.05, es sei denn, der Batterielieferant rät anders.

Tail current (Schweifstrom)

Einige Lithium-Batterieladegeräte stoppen den Ladevorgang, wenn der Strom unter einen festgelegten Schwellenwert fällt. Der Schweifstrom muss in diesem Fall höher eingestellt werden.

Entladeboden

Diese Einstellung wird bei der „Restlaufzeit“-Berechnung verwendet und ist standardmäßig auf 50% eingestellt. Aber Lithiumbatterien können in der Regel deutlich tiefer als 50% entladen werden. Der Entladeboden kann auf einen Wert zwischen 10 und 20% eingestellt werden, es sei denn, der Batterielieferant rät anders.

Wichtiger Hinweis

Lithiumbatterien sind teuer und können durch eine sehr tiefe Entladung oder Überladung irreparabel beschädigt werden. Schäden durch Tiefentladung können auftreten, wenn kleine Lasten die Batterie langsam entladen, wenn das System nicht benutzt wird. Einige Beispiele für diese Lasten sind Alarmsysteme, Standby-Ströme von DC-Lasten und die Rückstromentnahme von Batterieladegeräten oder Ladereglern.

Ein Restentladungsstrom ist besonders gefährlich, wenn das System bis zur Abschaltung bei niedriger Zellenspannung vollständig entladen wurde. Im Moment kann der Ladezustand bis zu 1% betragen. Die Lithiumbatterie wird beschädigt, wenn ein Reststrom aus der Batterie entnommen wird. Dieser Schaden kann irreversibel sein.

Ein Reststrom von 1 mA kann z.B. eine 100 Ah-Batterie beschädigen, wenn die Batterie länger als 40 Tage im entladenen Zustand belassen wurde ($1 \text{ mA} \times 24 \text{ h} \times 40 \text{ Tage} = 0,96 \text{ Ah}$).

Der SmartShunt zieht <1 mA aus einer 12 V-Batterie. Die positive Versorgung muss daher unterbrochen werden, wenn ein System mit Lithium-Ionen-Batterien über einen Zeitraum unbeaufsichtigt bleibt, der lang genug ist, dass die Stromaufnahme durch den SmartShunt die Batterie vollständig entladen kann.

Im Zweifelsfall über eine mögliche Reststromentnahme ist die Batterie durch Öffnen des Batterieschalters, durch Ziehen der Batteriesicherung(en) oder durch Abtrennen des Batterie-Pluspols bei Nichtgebrauch des Systems zu isolieren.

5 BETRIEB

5.1 Wie funktioniert der SmartShunt?

Die Hauptfunktion des SmartShunt besteht darin, den Ladezustand einer Batterie zu verfolgen und anzuzeigen, um zu wissen, wie viel Ladung die Batterie enthält und um eine unerwartete Totalentladung zu verhindern. Der SmartShunt misst kontinuierlich den Stromfluss in und aus der Batterie. Die Integration dieses Stroms im Laufe der Zeit, wenn es sich um einen festen Strom handelt, läuft darauf hinaus, Strom und Zeit zu multiplizieren, und ergibt die Netto-Ah-Menge, die hinzugefügt oder entfernt wird.

Zum Beispiel: Ein Entladestrom von 10 A für 2 Stunden benötigt $10 \times 2 = 200$ Ah von der Batterie.

Erschwerend kommt hinzu, dass die effektive Kapazität einer Batterie von der Entladungsrate, der Peukert-Effizienz und in geringerem Maße von der Temperatur abhängt. Und um die Sache noch komplizierter zu machen: Beim Laden einer Batterie muss mehr Energie (Ah) in die Batterie „gepumpt“ werden, als bei der nächsten Entladung wieder abgerufen werden kann. Mit anderen Worten: Die Ladeeffizienz liegt unter 100%. Der SmartShunt berücksichtigt all diese Faktoren bei der Berechnung des Ladezustands.

5.2 Übersicht der Auslesung

Der Statusbildschirm des SmartShunt zeigt eine Übersicht über wichtige Parameter an:

- Ladezustand.
- Batteriespannung.
- Batteriestrom.
- Leistung.
- Aux-Eingangsanzeige (Starterbatterie, Mittelpunkt oder Temperatur).

Ladezustand

Dies ist der tatsächliche Ladezustand der Batterie in Prozent und wird sowohl für die Peukert-Effizienz als auch für die Ladeeffizienz kompensiert. Der Ladezustand ist die beste Möglichkeit, die Batterie zu überwachen. Bei der voll aufgeladenen Batterie wird der Wert 100.0% angezeigt. Bei der vollständig leeren Batterie steht hier 0.0%.

Bitte beachten Sie, dass, wenn der Ladezustand drei Striche anzeigt: „---“ dies bedeutet, dass sich der SmartShunt in einem unsynchronisierten Zustand befindet. Dies tritt hauptsächlich dann auf, wenn der SmartShunt gerade installiert wurde oder nachdem der SmartShunt nicht mit Strom versorgt wurde und wieder eingeschaltet wird. Für weitere Informationen siehe Absatz 5.3: „Synchronising the SmartShunt“.

Spannung

Dies ist die Klemmenspannung der Batterie.

Strom

Dies ist der tatsächlich in die oder aus der Batterie fließende Strom. Ein negativer Strom zeigt an, dass Strom aus der Batterie entnommen wird. Dies ist der für DC-Lasten benötigte Strom. Ein positiver Strom bedeutet, dass Strom in die Batterie fließt. Das ist Strom, der aus Ladestromquellen stammt. Denken Sie daran, dass der SmartShunt immer den gesamten Batteriestrom anzeigt, d.h. den Strom, der in die Batterie hineinfließt, abzüglich des Stroms, der aus der Batterie herausfließt.

Leistung

Die von der Batterie entnommene oder empfangene Leistung.

Verbrauchte Ah

Der SmartShunt verfolgt die aus der Batterie entnommenen Amperestunden, die für die Effizienz kompensiert werden.

Beispiel: Wenn aus einer voll geladenen Batterie über einen Zeitraum von 3 Stunden ein Strom von 12A gezogen wird, zeigt die Anzeige -36.0 Ah ($-12 \times 3 = -36$).

Bitte beachten Sie, dass wenn der Verbrauchte Ah drei Striche anzeigt: „---“ dies bedeutet, dass sich der SmartShunt in einem unsynchronisierten Zustand befindet. Dies tritt hauptsächlich dann auf, wenn der

SmartShunt gerade installiert wurde oder nachdem der SmartShunt nicht mit Strom versorgt wurde und wieder eingeschaltet wird. Für weitere Informationen siehe Absatz 5.3: „Synchronising the SmartShunt“.

Verbleibende Zeit

Der SmartShunt schätzt, wie lange die Batterie die aktuelle Last tragen kann. Dies ist die „Restlaufzeit“-Anzeige und ist die tatsächlich verbleibende Zeit, bis die Batterie bis zum eingestellten „Entladeboden“ entladen ist. Der Entladeboden ist standardmäßig auf 50% eingestellt. Für die Einstellung des Entladebodens siehe Absatz 7.1.3: „Discharge floor“.

Wenn die Last stark schwankt, ist es am besten, sich nicht zu sehr auf diese Anzeige zu verlassen, da es sich um eine momentane Anzeige handelt, die nur als Richtlinie verwendet werden sollte. Wir empfehlen die Verwendung der Ladezustandsanzeige für eine genaue Batterieüberwachung.

Wenn die „verbleibende Zeit“ drei Striche anzeigt: „---“ dies bedeutet, dass sich der SmartShunt in einem unsynchronisierten Zustand befindet. Dies geschieht, wenn der SmartShunt gerade installiert wurde oder nachdem der SmartShunt nicht mit Strom versorgt wurde und wieder eingeschaltet wird. Für weitere Informationen siehe Absatz 5.3: „Synchronising the SmartShunt“.

Eingang

Dies ist der Zustand des Aux-Eingangs. Je nachdem, wie der Aux-Anschluss eingerichtet wurde, sehen Sie eine dieser Optionen:

- **Spannung der Starterbatterie:** Hier wird die Spannung einer zweiten Batterie angezeigt.
- **Batterietemperatur:** Dies zeigt die Batterietemperatur der Hauptbatterie an, wenn der optionale Temperatursensor verwendet wird.
- **Mittelpunkts-Spannungsabweichung:** Dies zeigt die Abweichung in einem Prozentsatz der Hauptspannung des oberen Teils der Batteriebank im Vergleich zur Spannung des unteren Teils. Für weitere Informationen zu dieser Funktion siehe Kapitel 9: „Midpoint voltage monitoring“.

5.3 Synchronisierung des SmartShunt

Für eine zuverlässige Ablesung muss der Ladezustand, wie er vom Batteriewächter angezeigt wird, regelmäßig mit dem tatsächlichen Ladezustand der Batterie synchronisiert werden. Damit soll verhindert werden, dass der Wert des „Ladezustands“ mit der Zeit driftet. Eine Synchronisierung setzt den Ladezustand der Batterie auf 100% zurück.

5.3.1 Automatische Synchronisation

Die Synchronisierung ist ein automatischer Prozess und erfolgt, wenn die Batterie vollständig aufgeladen ist. Der SmartShunt prüft einige Parameter, um sicherzustellen, dass die Batterie vollständig geladen ist. Er betrachtet die Batterie als voll geladen, wenn die Spannung einen bestimmten Wert erreicht hat und der Strom für eine bestimmte Zeit unter einen bestimmten Wert gefallen ist.

Diese Parameter heißen:

- **Ladespannung** - die Erhaltungsspannung des Batterieladegeräts.
- **Schweifstrom** - ein Prozentsatz der Batteriekapazität.
- **Zeit für Ladezustand-Erkennung** - die Zeit in Minuten.

Sobald diese 3 Parameter erfüllt sind, setzt der SmartShunt den Ladezustandswert auf 100% und synchronisiert so den Ladezustand.

Beispiel:

Im Falle einer 12V-Batterie setzt der SmartShunt den Ladezustand der Batterie auf 100% zurück, wenn alle diese Parameter erfüllt sind:

- Die Spannung übersteigt 13.2V,
- der Ladestrom beträgt weniger als 4.0% der gesamten Batteriekapazität (z.B. 8A für eine 200Ah-Batterie) und
- es sind 3 Minuten vergangen, während sowohl die Spannungs- als auch die Strombedingungen erfüllt sind.

Wenn der SmartShunt keine regelmäßige Synchronisierung durchführt, beginnt der Ladezustandswert mit der Zeit zu driften. Dies liegt an den kleinen Ungenauigkeiten des SmartShunts und an der Schätzung des Peukert-Exponenten. Sobald eine Batterie vollständig geladen ist und das Ladegerät in die Erhaltungsladung übergegangen ist, ist die Batterie voll und der SmartShunt synchronisiert sich automatisch, indem er den Ladezustandswert auf 100% setzt.

5.3.2 Manuelle Synchronisation

Der SmartShunt kann bei Bedarf manuell synchronisiert werden. Dies kann durch Drücken der Synchronisationstaste in den VictronConnect Batterieeinstellungen erreicht werden.

Eine manuelle Synchronisierung kann in Situationen erforderlich sein, in denen sich der SmartShunt nicht automatisch synchronisiert. Dies ist z.B. bei der Erstinstallation oder nach der Unterbrechung der Spannungsversorgung des SmartShunts erforderlich.

Eine manuelle Synchronisierung kann auch erforderlich sein, wenn die Batterie nicht vollständig geladen wurde oder wenn der SmartShunt nicht erkannt hat, dass die Batterie vollständig geladen wurde, weil die Ladespannung, der Strom oder die Zeit falsch eingestellt wurden. Überprüfen Sie in diesem Fall die Einstellungen und stellen Sie sicher, dass die Batterie regelmäßig voll aufgeladen wird.

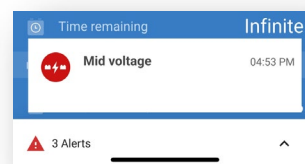
5.4 Alarme

Der SmartShunt kann bei niedrigem Ladezustand, niedrigen oder hohen Batteriespannungswerten, niedrigen oder hohen Temperaturwerten oder einer bestimmten Mittelpunktsabweichung einen Alarm auslösen. Der Alarm wird aktiviert, wenn der Wert einen festgelegten Schwellenwert erreicht, und wird einmal deaktiviert, wenn der Wert diesen Schwellenwert löscht.

Der Alarm ist ein Software-Alarm. Wenn eine Verbindung mit der VictronConnect App hergestellt wird und ein Alarm aktiv ist, wird der Alarm in der App angezeigt. Oder, alternativ, wenn der SmartShunt an ein GX-Gerät angeschlossen ist, wird der Alarm auf dem GX-Gerät oder auf dem VRM angezeigt.

Im Falle von VictronConnect wird ein Alarm durch Drücken einer Taste bestätigt. Und in einem GX-Gerät wird ein Alarm bestätigt, wenn er in Benachrichtigungen angezeigt wird. Das Alarmsignal wird jedoch solange angezeigt, wie der Alarmzustand besteht.

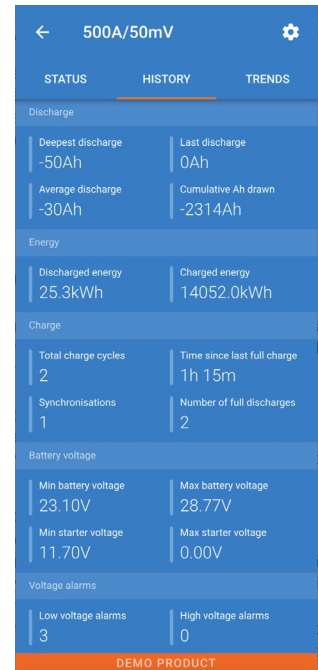
Bitte beachten Sie, dass der SmartShunt im Gegensatz zur BMV-Batterieüberwachungsreihe nicht über ein Alarmrelais oder einen Summer verfügt. Falls eine Relaisfunktion benötigt wird, schließen Sie den SmartShunt an ein GX-Gerät an und verwenden Sie das Relais im GX-Gerät mit SmartShunt-Funktionalität.



5.5 Verlaufsdaten

Der SmartShunt speichert Verlaufsereignisse. Diese können zu einem späteren Zeitpunkt verwendet werden, um das Nutzungsverhalten und den Zustand der Batterie zu bewerten. Der Verlauf kann in VictronConnect unter der Registerkarte „Verlauf“ abgerufen werden.

Die Verlaufsdaten werden in einem nicht-flüchtigen Speicher gespeichert und gehen nicht verloren, wenn die Stromzufuhr zum SmartShunt unterbrochen oder der SmartShunt auf seine Standardeinstellungen zurückgesetzt wurde.



Entladungsinformationen in Ah

- Tiefste Entladung: Der SmartShunt merkt sich die tiefste Entladung, und jedes Mal, wenn die Batterie tiefer entladen wird, wird der alte Wert überschrieben.
- Letzte Entladung: Der SmartShunt verfolgt die Entladung während des aktuellen Zyklus und zeigt den größten Wert an, der für die seit der letzten Synchronisierung verbrauchten Ah aufgezeichnet wurde.
- Durchschnittliche Entladung: Der kumulierte Ah-Wert geteilt durch die Gesamtzahl der Zyklen.
- Kumulative Ah-Entnahme - Die kumulative Anzahl von Amperestunden, die während der Lebensdauer des SmartShunts aus der Batterie entnommen werden.

Energie in kWh

- Entladene Energie: Dies ist die Gesamtmenge der aus der Batterie entnommenen Energie in (k)Wh.
- Geladene Energie: Die Gesamtmenge der von der Batterie aufgenommenen Energie in (k)Wh.

Aufladen

- Gesamtzahl der Ladezyklen: Die Anzahl der Ladezyklen während der Lebensdauer des SmartShunts. Ein Ladezyklus wird jedes Mal gezählt, wenn der Ladezustand unter 65% fällt und dann über 90% ansteigt.
- Zeit seit dem letzten vollständigen Aufladen: Die Anzahl der Tage seit dem letzten vollständigen Aufladen.
- Synchronisierungen: Die Anzahl der automatischen Synchronisierungen. Eine Synchronisierung wird jedes Mal gezählt, wenn der Ladezustand unter 90% fällt, bevor eine Synchronisierung stattfindet.
- Anzahl der vollständigen Entladungen: Die Anzahl der vollständigen Entladungen. Eine vollständige Entladung wird gezählt, wenn der Ladezustand 0% erreicht.

Batteriespannung

- Min. Batteriespannung: Die niedrigste Batteriespannung.
- Max. Batteriespannung: Die höchste Batteriespannung.
- Min. Starterspannung: Die niedrigste Spannung der Hilfsbatterie (falls zutreffend).
- Maximale Starterspannung: Die höchste Spannung der Hilfsbatterie (falls zutreffend).

Spannungsalarme

- Niederspannungsalarme: Die Anzahl der Unterspannungs-Alarme.
- Hochspannungsalarme: Die Anzahl der Überspannungs-Alarme.

5.6 Trends

Der Abschnitt „Trends“ von VictronConnect ermöglicht die Datenaufzeichnung, aber nur während VictronConnect angeschlossen ist und mit dem SmartShunt kommuniziert. Er protokolliert gleichzeitig zwei der folgenden Parameter: Spannung, Strom, verbrauchte Leistung in Ah oder Ladezustand.

5.7 LED-Statuscodes

Der SmartShunt verfügt über zwei LEDs, eine Bluetooth-Status-LED (blau) und eine Fehler-LED (rot). Diese LEDs sind beide mit der SmartShunt Bluetooth-Schnittstelle verbunden.

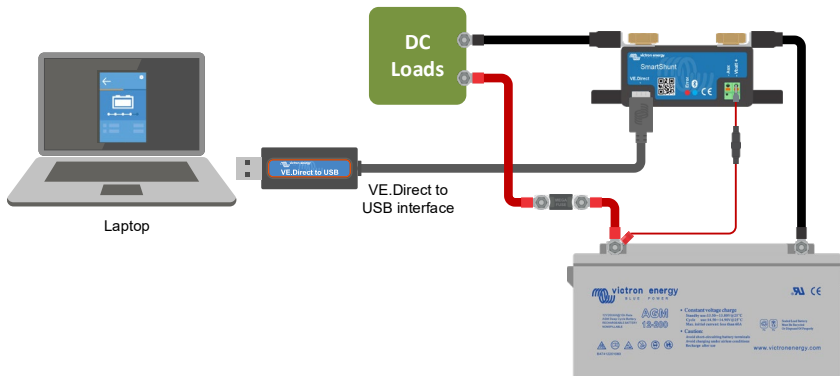
- Beim Einschalten blinkt die blaue LED, und die rote LED blinkt schnell. Die rote LED blinkt kurz auf, um zu bestätigen, dass die rote LED funktionsfähig ist.
- Wenn die blaue LED blinkt, ist der SmartShunt bereit für den Anschluss an VictronConnect.
- Wenn die blaue LED an bleibt, hat sich der SmartShunt erfolgreich mit VictronConnect über Bluetooth verbunden.
- Wenn die blaue und die rote LED abwechselnd blinken, wird die SmartShunt-Firmware aktualisiert.

6 SICH ÜBER EINE SCHNITTSTELLE VERBINDEN

Der SmartShunt kann an andere Geräte angeschlossen werden, dieses Kapitel beschreibt, wie dies geschehen kann.

6.1 VictronConnect über USB

VictronConnect kann nicht nur eine Verbindung über Bluetooth herstellen, sondern auch eine Verbindung über USB. Eine USB-Verbindung ist für den Anschluss an die Windows-Version von VictronConnect unerlässlich und ist optional, wenn die MacOS- oder Android-Version verwendet wird. Bitte beachten Sie, dass im Falle des Anschlusses an ein Android-Telefon oder Tablet ein „USB unterwegs“-Kabel erforderlich sein kann.



Für den Anschluss über USB benötigen Sie eine „VE.Direct to USB-Schnittstelle“, Teilenummer

SS030530000. Verwenden Sie diese Schnittstelle, um den Computer mit dem SmartShunt zu verbinden.

Für weitere Informationen siehe das VictronConnect-Handbuch:

<https://www.victronenergy.com/live/victronconnect:start>

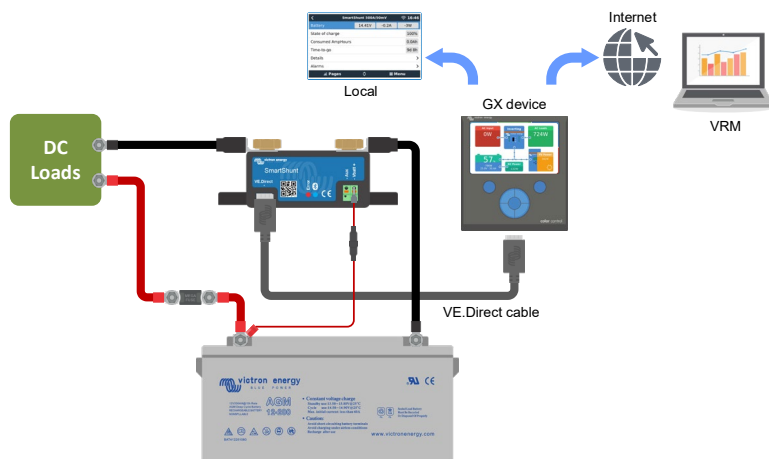
6.2 Anschluss an ein GX-Gerät und VRM

GX-Geräte sind Victron-Geräte, die die Steuerung und Überwachung aller angeschlossenen Victron-Geräteprodukte ermöglichen. Die Steuerung und Überwachung kann lokal erfolgen, aber auch aus der Ferne über unsere kostenlose Fernüberwachungs-Website „Victron Remote Monitoring“, das VRM-Online-Portal. Eine Übersicht über alle verfügbaren GX-Geräte finden Sie unter <https://www.victronenergy.com.au/panel-systems-remote-monitoring>.

SmartShunt 500A/50mV 16:46		
Battery	14.41V	-0.2A -3W
State of charge		100%
Consumed AmpHours		0.0Ah
Time-to-go		9d 8h
Details		>
Alarms		>
Pages Menu		

Einen Link zur VRM-Website finden Sie unter: <https://vrm.victronenergy.com>

Der SmartShunt kann mit einem VE.Direct-Kabel, Teilenummer ASS03053xxxx, an ein GX-Gerät angeschlossen werden. Die VE.Direct-Kabel sind in Längen von 0.3 bis 10 Metern und mit geraden oder rechtwinkligen Anschlüssen erhältlich. Anstatt ein VE.Direct-Kabel zu verwenden, kann der SmartShunt auch über die VE.Direct-zu-USB-Schnittstelle mit einem GX-Gerät verbunden werden. Einmal angeschlossen, kann das GX-Gerät zum Auslesen aller überwachten Batterieparameter verwendet werden.



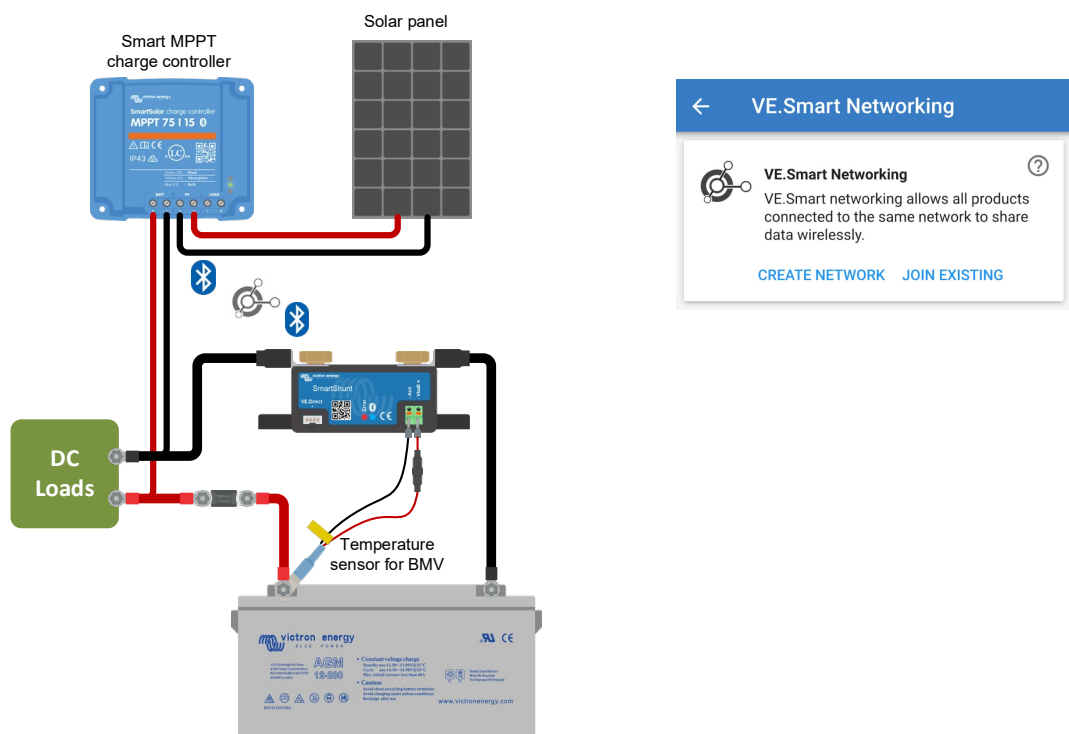
6.3 Verbindung zum VE.Smart-Netzwerk

Das VE.Smart Netzwerk ist ein drahtloses Netzwerk, das einer Reihe von Victron Produkten den Informationsaustausch über Bluetooth ermöglicht. Der SmartShunt kann Batteriespannung und Temperatur (optionaler Temperatursensor erforderlich) mit dem VE.Smart-Netzwerk teilen.

Zum Beispiel: Ein VE.Smart-Netzwerk, das einen SmartSolar mit Temperatursensor und ein MPPT-Solarladegerät enthält. Das Solarladegerät erhält die Informationen über die Batteriespannung und die Temperatur vom SmartShunt und nutzt diese Informationen zur Optimierung seiner Ladeparameter. Dies wird die Ladeeffizienz verbessern und die Lebensdauer der Batterie verlängern.

Um den SmartShunt zu einem Teil eines VE.Smart-Netzwerks zu machen, müssen Sie entweder ein Netzwerk erstellen oder einem bestehenden Netzwerk beitreten. Die Einstellung finden Sie unter SmartShunt-Settings > Smart Networking. Weitere Informationen finden Sie im VE.Smart-Netzwerk-Handbuch:

<https://www.victronenergy.com/live/victronconnect:ve-smart-networking>



6.4 Kundenspezifische Integration (Programmierung erforderlich)+

Der VE.Direct-Anschluss zur Datenübertragung kann zum Auslesen von Daten und zum Ändern von Einstellungen verwendet werden. Das VE.Direct Protokoll ist extrem einfach umzusetzen. Die Übertragung von Daten an den SmartShunt ist für einfache Anwendungen nicht notwendig: der SmartShunt sendet alle Messwerte automatisch jede Sekunde.

Sämtliche Einzelheiten werden im folgenden Dokument erläutert:

https://www.victronenergy.com/upload/documents/Whitepaper-Data-communication-with-Victron-Energy-products_EN.pdf

7 ALLE FUNKTIONEN UND EINSTELLUNGEN

7.1 Batterieeinstellungen

Diese Einstellungen können zur Feinabstimmung des SmartShunts verwendet werden. Bitte seien Sie vorsichtig, wenn Sie diese Einstellungen ändern, da sich eine Änderung auf die SmartShunt-Ladezustandsberechnungen auswirkt.

7.1.1 Batteriekapazität

Dieser Parameter wird verwendet, um dem SmartShunt mitzuteilen, wie groß die Batterie ist. Diese Einstellung sollte bereits bei der Erstinstallation des SmartShunts vorgenommen worden sein.

Die Einstellung ist die Batteriekapazität in Amperestunden (Ah). Für weitere Informationen siehe Kapitel 8: "Battery capacity and Peukert exponent".

Standardeinstellungen	Bereich	Schrittweite
200 Ah	1 – 9999 Ah	1 Ah

7.1.2 Ladespannung

Die Batteriespannung muss über diesem Spannungswert liegen, damit die Batterie als voll aufgeladen angesehen wird. Sobald der SmartShunt erkennt, dass die Spannung der Batterie die „Ladespannung“ erreicht hat und der Strom für eine bestimmte Zeit unter den „Schweifstrom“ gefallen ist, setzt der SmartShunt den Ladezustand auf 100%.

Standardeinstellungen	Bereich	Schrittweite
0 V	0 – 95 V	0.1 V

Der Parameter für die „Ladespannung“ sollte auf 0,2 V oder 0.3 V unter der Float-Spannung des Ladegerätes eingestellt werden. Oder siehe auch die Tabelle unten für die empfohlene Einstellung.

Empfohlene Einstellungen für Blei-Säure-Batterien:

Nominale Batteriespannung	Einstellung der Ladespannung
12V	13.2V
24V	26.4V
36V	39.6V
48V	52.8V

7.1.3 Entladeboden

Der Parameter „Entladeboden“ wird in der Berechnung der verbleibenden Zeit verwendet. Die verbleibende Zeit ist die Zeit, die benötigt wird, bis der eingestellte „Entladeboden“ erreicht ist.

Standardeinstellungen	Bereich	Schrittweite
50%	0 - 99%	1%

7.1.4 Schweifstrom

Die Batterie gilt als „voll geladen“, wenn der Ladestrom auf weniger als den eingestellten „Schweifstrom“-Parameter gesunken ist. Der Parameter „Schweifstrom“ wird als Prozentsatz der Batteriekapazität ausgedrückt. Anmerkung: Einige Batterie-Ladegeräte stoppen den Ladevorgang, wenn der Strom unter einen voreingestellten Schwellwert abfällt. In diesen Fällen muss der Schweifstrom höher als dieser Schwellenwert eingestellt werden. Sobald der SmartShunt erkennt, dass die Spannung der Batterie den eingestellten Parameter „Ladespannung“ erreicht hat und der Strom für eine bestimmte Zeit unter den „Schweifstrom“ gefallen ist, setzt der SmartShunt den Ladezustand auf 100%.

Standardeinstellungen	Bereich	Schrittweite
4.00%	0.50 – 10.00%	0.1%

7.1.5 Zeit f. Ladezustand-Erkennung

Dies ist die Zeit, die die „Ladespannung“ und der „Schweifstrom“ erreicht werden müssen, um die Batterie als voll geladen zu betrachten.

Standardeinstellungen	Bereich	Schrittweite
3 Minuten	0 - 100 Minuten	1 Minute

7.1.6 Peukert-Exponent

Wenn dieser Wert nicht bekannt ist, wird empfohlen, diesen Wert bei 1.25 (Standard) für Blei-Säure-Batterien beizubehalten und bei Li-Ionen-Batterien auf 1.05 zu ändern. Der Wert 1.00 deaktiviert die Peukert-Kompensierung. Für weitere Informationen siehe Kapitel 8: „Battery capacity and Peukert exponent“

Standardeinstellungen	Bereich	Schrittweite
1.25	1.00 – 1.50	0.01

7.1.7 Der Ladewirkungsgrad (Charge Efficiency Factor - CEF)

Der „Ladeeffizienzfaktor“ kompensiert die Kapazitätsverluste (Ah) während des Ladevorgangs. Eine Einstellung von 100% bedeutet, dass es keine Verluste gibt.

Standardeinstellungen	Bereich	Schrittweite
95%	50 – 100%	1%

Der Ladewirkungsgrad einer Blei-Säure-Batterie liegt bei fast 100% solange keine Gaserzeugung stattfindet. Gasbildung bedeutet, dass ein Teil des Ladestroms nicht in chemische Energie umgewandelt wird, die dann wiederum in den Batterieplatten gespeichert wird, sondern dass dieser dazu verwendet wird, Wasser in Sauerstoff und Wasserstoffgas (hochexplosiv!) zu spalten. Die in den Platten gespeicherte Energie kann bei der nächsten Entladung zurückgewonnen werden, während die zur Zersetzung von Wasser verwendete Energie verloren geht.

Die Gasbildung lässt sich bei Flüssigkeitselektrolyt-Batterien leicht beobachten. Bitte beachten Sie, dass das „Nur-Sauerstoff“-Ende der Ladephase von verschlossenen (VRLA) Gel- und AGM-Batterien ebenfalls zu einer reduzierten Ladeeffizienz führt.

Eine Ladeeffizienz von 95% bedeutet, dass 10 Ah auf die Batterie übertragen werden müssen, um 9.5Ah tatsächlich in der Batterie zu speichern. Der Ladewirkungsgrad einer Batterie ist abhängig vom Batterietyp, ihrem Alter und ihrer Verwendung. Der SmartShunt trägt diesem Phänomen mit dem Ladeeffizienzfaktor Rechnung.

7.1.8 Schwellwert Strom

Wenn der gemessene Strom unter den Wert „Stromschwelle“ fällt, wird er als Null betrachtet. Der „Stromschwellenwert“ wird verwendet, um sehr kleine Ströme auszugleichen, die die langfristige Ladezustandsanzeige in lauten Umgebungen negativ beeinflussen können. Wenn zum Beispiel der tatsächliche Langzeitstrom 0.0 A beträgt und der Batteriewächter aufgrund von eingespeistem Rauschen oder kleinen Offsets 0.05 A misst, könnte der SmartShunt auf lange Sicht fälschlicherweise anzeigen, dass die Batterie leer ist oder aufgeladen werden muss. Wenn der Stromschwellenwert in diesem Beispiel auf 0.1 A eingestellt ist, rechnet der SmartShunt mit 0.0 A, so dass Fehler eliminiert werden. Ist der Wert dagegen auf 0.0 A eingestellt, wird diese Funktion ausgeschaltet.

Standardeinstellungen	Bereich	Schrittweite
0.10 A	0.00 – 2.00 A	0.01 A

7.1.9 Durchschnittliche Restlaufzeit

Die durchschnittliche Restlaufzeit gibt das Zeitfenster (in Minuten) an, in dem der gleitende Mittelwertfilter arbeitet. Ein Wert von 0 deaktiviert den Filter und liefert eine sofortige (Echtzeit-)Anzeige. Der angezeigte Wert für die „verbleibende Zeit“ kann jedoch stark schwanken. Die Wahl der längsten Zeit, 12 Minuten, stellt sicher, dass nur langfristige Lastschwankungen in die Berechnungen der „verbleibenden Zeit“ einbezogen werden.

Standardeinstellungen	Bereich	Schrittweite
3 Minuten	0 - 12 Minuten	1 Minute

7.1.10 Batterie startet synchronisiert

Der Ladezustand der Batterie wird nach dem Einschalten des SmartShunts auf 100% erhöht. Wenn er auf EIN geschaltet ist, betrachtet sich der SmartShunt beim Einschalten als synchronisiert, was zu einem Ladezustand von 100% führt. Wenn er auf AUS gesetzt ist, betrachtet der SmartShunt ihn beim Einschalten als unsynchronisiert, was zu einem Ladezustand führt, der bis zur ersten tatsächlichen Synchronisierung unbekannt ist.

Standardeinstellungen	Bereich
AN	EIN/AUS

Bitte beachten Sie, dass Situationen auftreten können, in denen bei der Einstellung dieser Funktion auf EIN besondere Vorsicht geboten ist. Eine dieser Situationen tritt in Systemen auf, in denen die Batterie oft vom SmartShunt getrennt wird, z.B. auf einem Boot. Wenn Sie das Boot verlassen und das Gleichstromsystem über den Hauptgleichstromschalter trennen und in diesem Moment die Batterien z.B. zu 75% geladen waren. Bei der Rückkehr zum Boot wird das Gleichstromsystem wieder angeschlossen und der SmartShunt zeigt nun 100% an. Dadurch wird der falsche Eindruck erweckt, dass die Batterien voll sind, während sie in Wirklichkeit teilweise entladen sind.

Es gibt zwei Möglichkeiten, dies zu lösen. Die eine besteht darin, den SmartShunt nicht zu trennen, wenn die Batterien teilweise entladen sind, oder alternativ die Funktion „Batterie-Startsynchronisation“ auszuschalten. Wenn der SmartShunt jetzt wieder angeschlossen wird, zeigt der Ladezustand „---“ an und zeigt erst dann 100% an, wenn die Batterien vollständig aufgeladen sind. Bitte beachten Sie, dass es zu Batterieschäden kommt, wenn eine Bleibatterie für längere Zeit in einem teilweise entladenen Zustand belassen wird.

7.1.11 Ladezustand

Mit dieser Einstellung können Sie den Ladezustandswert manuell einstellen. Diese Einstellung ist nur aktiv, nachdem der SmartShunt mindestens einmal synchronisiert wurde. Entweder automatisch oder manuell.

Standardeinstellungen	Bereich	Schrittweite
--%	0.0 - 100%	0.1%

7.1.12 SoC auf 100% synchronisieren

Diese Option kann verwendet werden, um den SmartShunt manuell zu synchronisieren. Drücken Sie die Schaltfläche „Synchronisieren“, um den SmartShunt auf 100% zu synchronisieren. Für weitere Informationen siehe Absatz 5.3.2: „Manual synchronisation“.

7.1.13 Einstellung Nullstrom

Wenn der SmartShunt einen Strom ungleich Null liest, auch wenn keine Last vorhanden ist und die Batterie nicht geladen wird, kann diese Option zur Kalibrierung der Nullanzeige verwendet werden.

Stellen Sie sicher, dass wirklich kein Strom in oder aus der Batterie fließt. Trennen Sie dazu das Kabel zwischen der Last und dem SmartShunt und drücken Sie die „Kalibriertaste“, um eine Nullstromkalibrierung durchzuführen.

7.2 Alarmeinstellungen

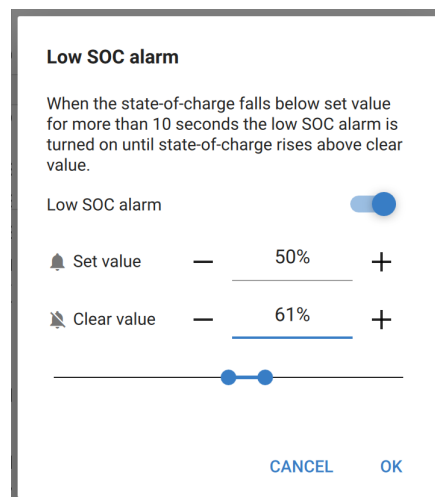
Bitte beachten Sie, dass der SmartShunt nicht wie die BMV-Serie mit einem Summer oder einem Alarmrelais ausgestattet ist. Die erzeugten Alarme sind nur auf der VictronConnect App sichtbar, wenn sie mit dem SmartShunt verbunden sind, oder werden verwendet, um ein Alarmsignal an ein GX-Gerät zu senden.

7.2.1 SoC-Alarmeinstellung

Wenn aktiviert, wird der Alarm aktiviert, wenn der Ladezustand für mehr als 10 Sekunden unter den Sollwert fällt. Der Alarm wird deaktiviert, wenn der Ladezustand über den eindeutigen Wert ansteigt.

Standardeinstellungen	Bereich
Deaktiviert	Deaktiviert / aktiviert

Standardeinstellungen	Bereich
Deaktiviert	Deaktiviert/aktiviert



Wenn aktiviert	Standardeinstellungen		
Sollwert	1%	0 – 100%	1%
Eindeutiger Wert	2%	0 – 100%	1%

7.2.2 Alarm „Unterspannung“

Wenn aktiviert, wird der Alarm aktiviert, wenn die Batteriespannung für mehr als 10 Sekunden unter den Sollwert fällt. Der Alarm wird deaktiviert, wenn die Batteriespannung über den eindeutigen Wert ansteigt.

Standardeinstellungen	Bereich
Deaktiviert	Deaktiviert/aktiviert

Wenn aktiviert	Standardeinstellungen		
Sollwert	1.0 V	0 - 95.0 V	0.1 V
Eindeutiger Wert	1.1 V	0 - 95.0 V	0.1 V

7.2.3 Hochspannungsalarm

Wenn aktiviert, wird der Alarm aktiviert, wenn die Batteriespannung für mehr als 10 Sekunden über den Sollwert ansteigt. Der Alarm wird deaktiviert, wenn die Batteriespannung unter den eindeutigen Wert fällt.

Standardeinstellungen	Bereich
Deaktiviert	Deaktiviert/aktiviert

Wenn aktiviert	Standardeinstellungen		
Sollwert	1.1 V	0 - 95.0 V	0.1 V
Eindeutiger Wert	1.0 V	0 - 95.0 V	0.1 V

7.2.4 Alarm bei niedriger Starterspannung

Diese Einstellung ist nur verfügbar, wenn der Aux-Eingang auf „Starterbatterie“ eingestellt wurde.

Wenn aktiviert, wird der Alarm aktiviert, wenn die Spannung der Starterbatterie für mehr als 10 Sekunden unter den Sollwert fällt. Der Alarm wird deaktiviert, wenn die Spannung der Starterbatterie über den eindeutigen Wert ansteigt.

Standardeinstellungen	Bereich
Deaktiviert	Deaktiviert/aktiviert

Wenn aktiviert	Standardeinstellungen		
Sollwert	1.0 V	0 - 95.0 V	0.1 V
Eindeutiger Wert	1.1 V	0 - 95.0 V	0.1 V

7.2.5 Alarm bei hoher Starterspannung

Diese Einstellung ist nur verfügbar, wenn der Aux-Eingang auf „Starterbatterie“ eingestellt wurde. Wenn aktiviert, wird der Alarm aktiviert, wenn die Spannung der Starterbatterie für mehr als 10 Sekunden über den Sollwert ansteigt. Der Alarm wird deaktiviert, wenn die Spannung der Starterbatterie unter den eindeutigen Wert fällt.

Standardeinstellungen	Bereich
Deaktiviert	Deaktiviert/aktiviert

Wenn aktiviert	Standardeinstellungen		
Sollwert	1.1 V	0 - 95.0 V	0.1 V
Eindeutiger Wert	1.0 V	0 - 95.0 V	0.1 V

7.2.6 Alarm für Mittelpunktabweichung

Diese Einstellung steht nur zur Verfügung, wenn der Aux-Eingang auf „Mittelpunkt“ eingestellt ist. Wenn aktiviert, wird der Alarm aktiviert, wenn die Mittelpunkt-Spannungsabweichung für mehr als 10 Sekunden über den Sollwert ansteigt. Der Alarm wird deaktiviert, wenn die mittlere Spannungsabweichung unter den eindeutigen Wert fällt.

Standardeinstellungen	Bereich
Deaktiviert	Deaktiviert/aktiviert

Wenn aktiviert	Standardeinstellungen		
Sollwert	2%	0 – 99%	1%
Eindeutiger Wert	1%	0 – 99%	1%

7.2.7 Hochtemperaturalarm

Diese Einstellung ist nur verfügbar, wenn der Aux-Eingang auf „Temperatur“ eingestellt wurde. Wenn sie aktiviert ist, wird der Alarm aktiviert, wenn die Batterietemperatur für mehr als 10 Sekunden über den Sollwert ansteigt. Der Alarm wird deaktiviert, wenn die Batterietemperatur unter den eindeutigen Wert fällt.

Standardeinstellungen	Bereich
Deaktiviert	Deaktiviert/aktiviert

Wenn aktiviert	Standardeinstellungen	Bereich	Schrittweite
Sollwert	2 °C (2 °F)	-99 - +99 °C (-146 - +210 °F)	1 °C (1 °F)
Eindeutiger Wert	1 °C (2 °F)	-99 - +99 °C (-146 - +210 °F)	1 °C (1 °F)

7.2.8 Alarm bei niedriger Temperatur

Diese Einstellung ist nur verfügbar, wenn der Aux-Eingang auf „Temperatur“ eingestellt wurde. Wenn sie aktiviert ist, wird der Alarm aktiviert, wenn die Batterietemperatur für mehr als 10 Sekunden unter den Sollwert fällt. Der Alarm wird deaktiviert, wenn die Batterietemperatur über den eindeutigen Wert ansteigt.

Standardeinstellungen	Bereich
Deaktiviert	Deaktiviert/aktiviert

Wenn aktiviert	Standardeinstellungen	Bereich	Schrittweite
Sollwert	2 °C (2 °F)	-99 - +99 °C (-146 - +210 °F)	1 °C (1 °F)
Eindeutiger Wert	1 °C (2 °F)	-99 - +99 °C (-146 - +210 °F)	1 °C (1 °F)

7.3 Verschiedene Einstellungen

7.3.1 Aux Zusatzeingang

Diese Einstellung legt die Funktion des Zusatzeingangs fest. Wählen Sie zwischen: Starterbatterie, Mittelpunkt oder Temperatur

Standardeinstellungen	Bereich
Starterbatterie	Starterbatterie / Mittelpunkt / Temperatur

7.3.2 Temperaturkoeffizient

Diese Einstellung ist nur verfügbar, nachdem die Einstellung des Aux-Eingangs auf „Temperatur“ eingestellt wurde.

Die verfügbare Batteriekapazität nimmt mit der Temperatur ab. Die Abnahme im Vergleich zur Kapazität bei 20 °C beträgt üblicherweise bei 0 °C 18 % und bei -20 °C 40 %.

Der Temperaturkoeffizient ist der Prozentsatz, um den sich die Batteriekapazität mit der Temperatur ändert, wenn die Temperatur auf weniger als 20 °C sinkt (über 20 °C ist der Einfluss der Temperatur auf die Kapazität relativ gering und wird nicht berücksichtigt). Die Einheit dieses Wertes ist „%cap/°C“ oder Prozent Kapazität pro Grad Celsius. Der typische Wert (unter 20 °C) liegt bei 1 %Kappe/°C für Blei-Säure-Batterien und 0,5 %Kappe/°C für LFP-Batterien.

Standardeinstellungen	Bereich	Schrittweite
0.0 %cap/°C	0 - 2.0 %cap/°C	0.1 %cap/°C
0.0 %cap/°F	0 - 3,6 %cap/°F	0.1 %cap/°F

7.4 Einstellung der Temperatureinheit

Diese Einstellung ist in den Einstellungen der VictronConnect App direkt zu finden. Verlassen Sie den SmartShunt, indem Sie auf den Pfeil ← klicken. Dies bringt Sie zurück zur Geräteliste der VictronConnect App. Klicken Sie auf das Menü☰symbol und dann auf das Einstellungssymbol⚙. Hier können Sie die „Temperatureinheit anzeigen“ auswählen. Bei Auswahl von Celsius wird die Temperatur in °C und bei Auswahl von Fahrenheit wird die Temperatur in °F angezeigt.

Standardeinstellungen	Bereich
Celsius	Celsius/Fahrenheit

7.5 Produkteinstellungen

Um auf diese Einstellungen zuzugreifen, klicken Sie auf das Einstellungssymbol ⚙ und dann auf das Menüsymbol ☰.

7.5.1 Auf Standardeinstellungen zurücksetzen

Um alle Einstellungen auf die Standardwerte zurückzusetzen, wählen Sie „Auf Standardeinstellungen zurücksetzen“. Bitte beachten Sie, dass dadurch nur alle Einstellungen auf ihre Standardwerte zurückgesetzt werden, der Verlauf wird nicht zurückgesetzt.

7.5.2 Benutzerdefinierter Name

Im SmartShunt-Produktinformationsbildschirm können Sie den Namen des SmartShunts ändern. Standardmäßig wird er mit seinem Produktnamen bezeichnet. Es könnte jedoch ein passenderer Name erforderlich sein, insbesondere wenn Sie mehrere SmartShunts in unmittelbarer Nähe zueinander verwenden, könnte es verwirrend werden, mit welchem SmartShunt Sie kommunizieren. Sie können z.B. Identifikationsnummern zu ihrem Namen hinzufügen, wie SmartShunt A, SmartShunt B und so weiter.

7.5.3 Firmware

Sowohl der SmartShunt als auch seine Bluetooth-Schnittstelle laufen auf Firmware. Gelegentlich steht eine neuere Firmware-Version zur Verfügung. Neue Firmware wird veröffentlicht, um entweder neue Funktionen hinzuzufügen oder einen Fehler zu beheben. Die Produktübersicht sowohl des SmartShunt als auch seiner Bluetooth-Schnittstellenelemente zeigen jeweils die Firmware-Nummer an. Sie zeigt auch an, ob die Firmware die neueste Version ist, und es gibt eine Taste, die Sie drücken können, um die Firmware zu aktualisieren. Es wird immer empfohlen, bei der Erstinstallation auf die neueste Firmware (falls verfügbar) zu aktualisieren. Wenn Sie sich mit einer "aktuellen" Version von VictronConnect an den SmartShunt anschließen, prüft dieser die Firmware und fordert Sie auf, die Firmware zu aktualisieren, falls eine neuere Version verfügbar ist. VictronConnect enthält die eigentlichen Firmware-Dateien, so dass eine Internetverbindung nicht erforderlich ist, um auf die neueste Firmware zu aktualisieren, solange Sie die aktuellste Version von VictronConnect verwenden.

Eine Firmware-Aktualisierung ist nicht zwingend erforderlich. Wenn Sie sich dafür entscheiden, die Firmware nicht zu aktualisieren, können Sie den SmartShunt nur auslesen, aber keine Einstellungen ändern. Die Einstellungen können nur geändert werden, wenn der SmartShunt mit der aktuellsten Firmware läuft.

7.5.4 Ändern des PIN-Codes

In der Produktinformation der SmartShunt Bluetooth-Schnittstelle kann der PIN-Code geändert werden.

7.5.5 Deaktivieren und erneutes Aktivieren von Bluetooth

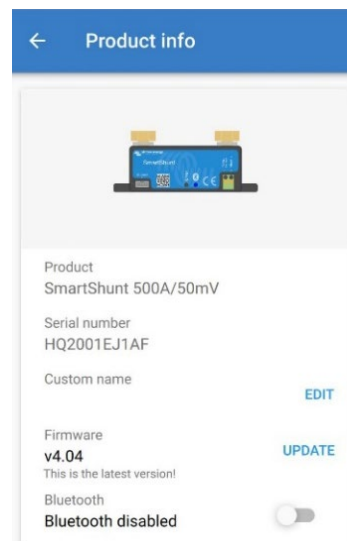
Bluetooth ist im SmartShunt standardmäßig aktiviert. Wenn Bluetooth nicht erwünscht ist, kann es deaktiviert werden. Dies geschieht durch Verschieben des Bluetooth-Schalters in den Produkteinstellungen.

Ein Grund für die Deaktivierung von Bluetooth könnte aus Sicherheitsgründen oder zur Vermeidung unerwünschter Übertragungen vom SmartShunt sein.

Sobald Bluetooth deaktiviert wurde, kann der SmartShunt nur noch über seinen VE.Direct-Port angesprochen werden.

Dies geschieht über die USB-zu-VE.Direct-Schnittstelle oder über ein GX-Gerät, das über ein VE.Direct-Kabel oder die USB-zu-VE.Direct-Schnittstelle an den SmartShunt angeschlossen ist. Für weitere Informationen siehe Kapitel 6: „Interfacing“.

Bluetooth kann durch die Verbindung mit dem SmartShunt mit VictronConnect über die VE.Direct - USB-Schnittstelle wieder aktiviert werden. Sobald die Verbindung hergestellt ist, können Sie zum Menü der Produkteinstellungen navigieren und Bluetooth wieder aktivieren.




7.5.6 Seriennummer


Die Seriennummer finden Sie in der SmartShunt-Produktinformation oder auf dem Produktinformationsaufkleber auf dem SmartShunt.

7.6 Speichern, Laden und Freigeben von Einstellungen

Im Einstellungsmenü finden Sie die folgenden 3 Symbole:

 **Einstellungen in Datei speichern** - Hiermit werden Einstellungen zur Referenz oder zur späteren Verwendung gespeichert.

 **Einstellungen aus Datei laden** - Damit werden vorher gespeicherte Einstellungen geladen.

 **Einstellungsdatei freigeben** - Hiermit können Sie die Einstellungsdatei per E-Mail, Nachricht, Airdrop usw. freigeben. Die verfügbaren Freigabeoptionen hängen von der verwendeten Plattform ab.

Weitere Informationen zu diesen Funktionen finden Sie im VictronConnect-Handbuch:

<https://www.victronenergy.com/live/victronconnect:start>

7.7 Verlauf zurücksetzen

Diese Einstellung finden Sie unten auf der Registerkarte Verlauf. Bitte beachten Sie, dass die Verlaufsdaten ein wichtiges Hilfsmittel zur Verfolgung der Batterieleistung sind und auch zur Diagnose möglicher Batterieprobleme benötigt werden. Löschen Sie den Verlauf nicht, sofern die Batteriebank nicht ersetzt wird.

7.8 PIN-Code zurücksetzen

Diese Einstellung ist in den Einstellungen der VictronConnect App direkt zu finden. Verlassen Sie den SmartShunt, indem Sie auf den Pfeil ← klicken. Dies bringt Sie zurück zur Geräteliste der VictronConnect App. Klicken Sie jetzt auf das Menüsymbol neben dem SmartShunt-Verzeichnis.

Es öffnet sich ein neues Fenster, in dem Sie den PIN-Code wieder auf die Standardeinstellung zurücksetzen können: 000000. Um den PIN-Code zurücksetzen zu können, müssen Sie den einzigartigen PUK-Code von SmartShunt eingeben. Der PUK-Code ist auf dem Produktinformationsaufkleber auf dem SmartShunt aufgedruckt.

8 BATTERIEKAPAZITÄT UND PEUKERT-EXPONENT

Die Batteriekapazität wird in Amperestunden (Ah) ausgedrückt und gibt an, wie viel Strom eine Batterie im Laufe der Zeit liefern kann. Wenn zum Beispiel eine 100 Ah-Batterie mit einem konstanten Strom von 5A entladen wird, ist die Batterie in 20 Stunden vollständig entladen.

Die Geschwindigkeit, mit der eine Batterie entladen wird, wird als C-Rating ausgedrückt. Das C-Rating gibt an, wie viele Stunden eine Batterie mit einer bestimmten Kapazität hält. 1 C ist die 1 h-Rate und bedeutet, dass der Entladestrom die gesamte Batterie in 1 Stunde entlädt. Bei einer Batterie mit einer Kapazität von 100Ah entspricht dies einem Entladestrom von 100 A. Eine 5 C-Rate für diese Batterie wäre 500 A für 12 Minuten (1/5 Stunden), und eine C5-Rate wäre 20 A für 5 Stunden.

Die Kapazität einer Batterie hängt von der Entladungsrate ab. Je schneller die Entladungsrate, desto weniger Kapazität wird zur Verfügung stehen. Das Verhältnis zwischen langsamer oder schneller Entladung kann nach dem Peukertschen Gesetz berechnet werden und wird durch den Peukert-Exponenten ausgedrückt. Einige Batteriechemien leiden mehr unter diesem Phänomen als andere. Bleisäure sind davon stärker betroffen als Lithiumbatterien. Der SmartShunt trägt diesem Phänomen mit Peukert-Exponent Rechnung.

Beispiel einer Entladungsrate

Eine Blei-Säure-Batterie ist auf 100 Ah bei C20 ausgelegt, das bedeutet, dass diese Batterie einen Gesamtstrom von 100 A über 20 Stunden mit einer Rate von 5 A pro Stunde liefern kann. $C20 = 100 \text{ Ah} (5 \times 20 = 100)$. Wenn die gleiche 100Ah-Batterie in zwei Stunden vollständig entladen ist, wird ihre Kapazität stark reduziert. Wegen der höheren Entladungsrate darf sie nur $C2 = 56 \text{ Ah}$ ergeben.

Peukerts Formel

Der Wert, der sich bei der Peukert-Formel anpassen lässt, ist der Exponent n: siehe folgende Formel. Im SmartShunt kann der Peukert-Exponent von 1.00 bis 1.50 eingestellt werden. Je höher der Peukert-Exponent, desto schneller „schrumpft“ die effektive Kapazität mit zunehmender Entladungsrate. Eine ideale (theoretische) Batterie hat einen Peukert-Exponenten von 1.00 und hat eine feste Kapazität unabhängig von der Größe des Entladestroms. Die Standardeinstellung im SmartShunt für den Peukert-Exponenten ist 1.25. Es handelt sich hierbei um einen annehmbaren Durchschnittswert für die meisten Blei-Säure-Batterien.

Die Peukert-Gleichung wird im Folgenden angegeben:

$$C_p = I^n \times t \quad \text{wo der Peukert-Exponent n ist:} \quad C_p = I^n \times t \quad \text{wo der Peukert-Exponent n ist:}$$

$$n = \frac{\log t_2 - \log t_1}{\log I_1 - \log I_2}$$

Zur Berechnung des Peukert-Exponenten benötigen Sie zwei Batterie-Nennkapazitäten. Dies ist in der Regel die 20-Stunden-Entladungsrate und die 5-Stunden-Rate, kann aber auch die 10-Stunden- und 5-Stunden-Rate oder die 20-Stunden- und 10-Stunden-Rate sein. Verwenden Sie idealerweise eine niedrige Entladungsrate zusammen mit einem wesentlich höheren Rating. Batteriekapazitätsratings finden Sie im Datenblatt der Batterie. Wenden Sie sich im Zweifelsfall an Ihren Batterielieferanten.

Berechnungsbeispiel mit der 5 h und dem 20 h Rating

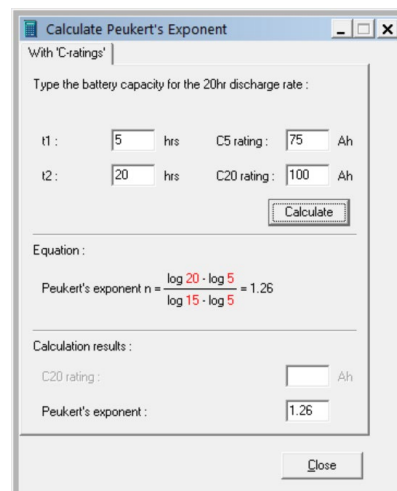
Das C5-Rating beträgt 75 Ah. Das t₁-Rating beträgt 5 h und I₁ wird berechnet: $I_1 = \frac{75 \text{ Ah}}{5 \text{ h}} = 25 \text{ A}$

Das C20-Rating beträgt 100 Ah. Das t₂-Rating beträgt 20 h und I₂ wird berechnet: $I_2 = \frac{100 \text{ Ah}}{20 \text{ h}} = 5 \text{ A}$

Der Peukert-Exponent ist: $n = \frac{\log 20 - \log 5}{\log 15 - \log 5} = 1.26$

Ein Peukert-Rechner steht Ihnen zur Verfügung unter <http://www.victronenergy.com/support-and-downloadssoftware/>

Bitte beachten Sie, dass der Peukert-Exponent nicht mehr als eine grobe Annäherung an die Realität ist, und dass Batterien bei sehr hohen Strömen noch weniger Kapazität aufweisen, als von einem festen Exponenten vorhergesagt. Wir empfehlen, den Standardwert im SmartShunt nicht zu ändern, außer im Falle von Lithiumbatterien.



9 ÜBERWACHUNG DER MITTELPUNKTSPANNUNG

Eine beschädigte Zelle oder eine beschädigte Batterie kann eine ganze große, teure Batteriebank zerstören. Ein Kurzschluss oder hoher interner Leckstrom in einer Zelle beispielsweise führt zu einer Unterladung dieser Zelle und einer Überladung der anderen Zellen. Eine beschädigte Batterie in einer 24V oder 48V Bank mit mehreren in Reihe/parallel geschalteten 12V Batterien kann ebenso die gesamte Bank beschädigen. Außerdem sollten neue Zellen bzw. Batterien, wenn sie in Serie geschaltet werden, alle den gleichen anfänglichen Ladezustand haben. Kleine Unterschiede werden während der Absorption oder Ausgleichladung ausgeglichen, aber große Unterschiede führen zu Schäden während der Ladung durch übermäßige Gasung der Zellen oder Batterien mit dem höchsten Anfangsladezustand.

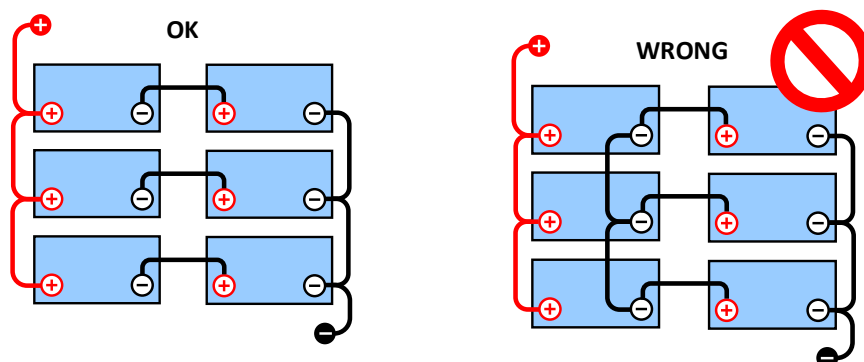
Ein rechtzeitiger Alarm kann durch Überwachung des Mittelpunkts der Batteriebank erzeugt werden (d.h. durch Halbierung der Stringspannung und Vergleich der beiden Stringspannungshälften).

Die Mittelpunktsabweichung wird bei ruhender Batteriebank gering sein und sich vergrößern:

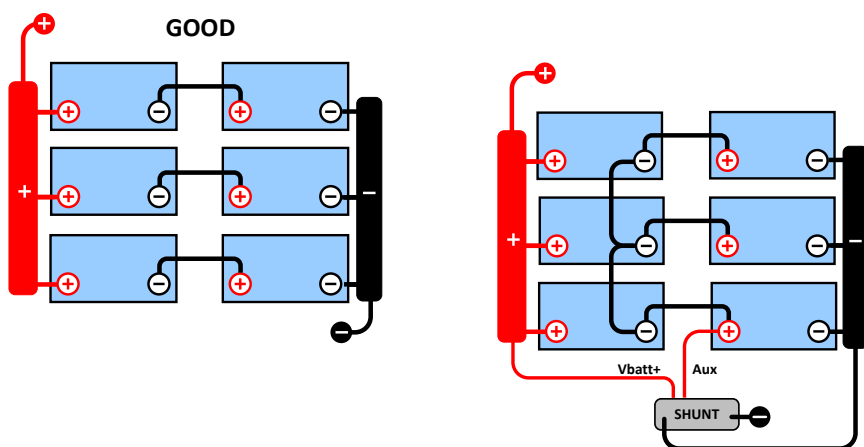
- Am Ende der Bulk-Phase während des Ladevorgangs (die Spannung gut geladener Zellen wird schnell ansteigen, während nachlaufende Zellen noch mehr Ladung benötigen).
- Beim Entladen der Batteriebank, bis die Spannung der schwächsten Zellen schnell zu sinken beginnt.
- Bei hohen Lade- und Entladeraten.

9.1 Schaltpläne für Batteriebank und Mittelpunkt

9.1.1 Anschluss und Überwachung des Mittelpunktes in einer 24V-Batteriebank



Aufgrund des Spannungsabfalls über das positive und das negative Kabel sind die Mittenspannungen nicht identisch.

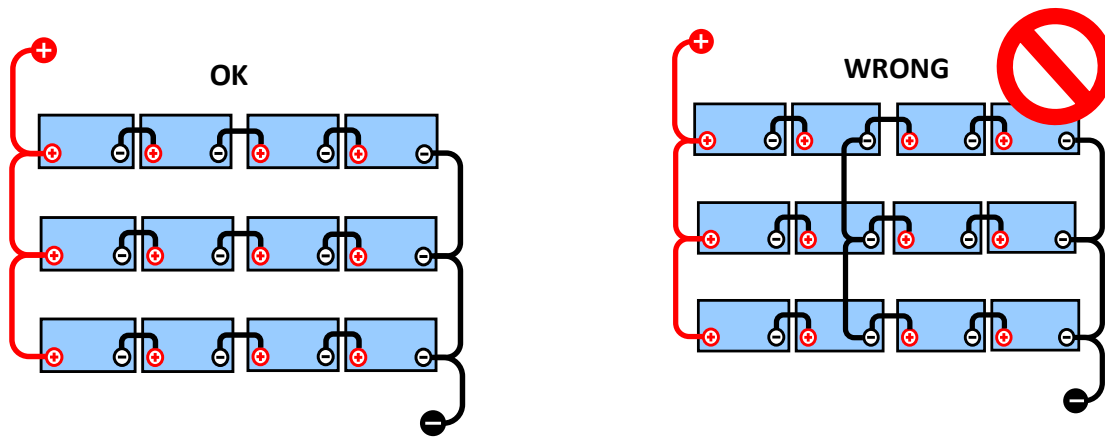


In einer unüberwachten Batteriebank sollten die Mittelpunkte nicht miteinander verbunden sein, eine schlechte Batteriebank kann unbemerkt bleiben und alle anderen Batterien beschädigen.

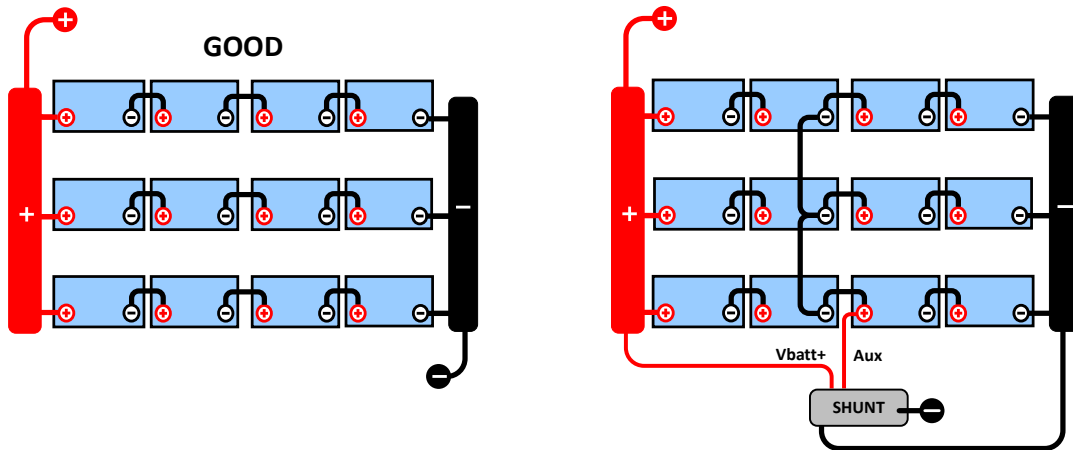
Verwenden Sie immer Sammelschienen, wenn Sie eine Mittelpunkts-Spannungsüberwachung anwenden. Die Kabel zu den Sammelschienen müssen alle die gleiche Länge haben.

Mittelpunkte können nur verbunden werden, wenn im Falle eines Alarms korrigierende Maßnahmen ergriffen werden.

9.1.2 Anschluss und Überwachung des Mittelpunktes in einer 48V-Batteriebank



Aufgrund des Spannungsabfalls über das positive und das negative Kabel sind die Mittenspannungen nicht identisch.



In einer unüberwachten Batteriebank sollten die Mittelpunkte nicht miteinander verbunden sein, eine schlechte Batteriebank kann unbemerkt bleiben und alle anderen Batterien beschädigen.

Verwenden Sie immer Sammelschienen, wenn Sie eine Mittelpunkts-Spannungsüberwachung anwenden. Die Kabel zu den Sammelschienen müssen alle die gleiche Länge haben.

Mittelpunkte können nur verbunden werden, wenn im Falle eines Alarms korrigierende Maßnahmen ergriffen werden.

9.2 Berechnung der Mittelpunktsabweichung

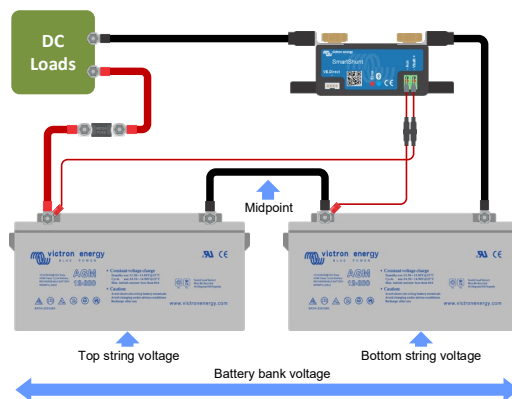
Der SmartShunt misst den Mittelpunkt und berechnet dann die Abweichung in einem Prozentsatz von dem, was der Mittelpunkt sein sollte.

$$Deviation = \frac{100 \times (top\ string\ voltage - bottom\ string\ voltage)}{battery\ voltage}$$

$$d = \frac{100 \times (V_t - V_b)}{V}$$

wobei Folgendes gilt:

- d ist die Abweichung in %
- Vt ist die oberste Strings Spannung
- Vt ist die unterste Strings Spannung
- V ist die Spannung der Batterie (V = Vt + Vb)



9.3 Einstellen der Alarmstufe

Bei VRLA (Gel oder AGM) Batterien trocknet im Falle einer Gasentwicklung aufgrund einer Überladung der Elektrolyt aus, der Innenwiderstand wird erhöht und letztendlich kommt es zu einer unwiderruflichen Beschädigung der Batterie. Gitterplatten VRLA-Batterien verlieren an Wasser, wenn die Ladespannung sich dem Wert 15V (12V Batterie) nähert. Einschließlich einer Sicherheitsspanne sollte die Mittelpunktabweichung während des Ladevorgangs unter 2 % bleiben. Beim Laden einer 24V Batteriebank mit 28,8V Konstantspannung würde sich zum Beispiel folgender Mittelpunktabweichungswert von 2% ergeben:

$$V_t = \frac{V \times d}{100} + V_b = \frac{V \times d}{100} + V - V_t = V \times \frac{1 + \frac{d}{100}}{2}$$

Deshalb gilt:

$$V_t = V \times \frac{1 + \frac{d}{100}}{2} \quad \text{and} \quad V_b = V \times \frac{1 - \frac{d}{100}}{2}$$

$$V_t = 28.8 \times \frac{1 + \frac{2}{100}}{2} \approx 14.7 \quad \text{and} \quad V_b = 28.8 \times \frac{1 - \frac{2}{100}}{2} \approx 14.1$$

Offensichtlich führt eine Mittelpunktabweichung von mehr als 2% zu einer Überladung der oberen Batterie und einer Unterladung der unteren Batterie. Dies sind zwei gute Gründe, den Mittelwert-Alarmpegel auf nicht mehr als d = 2% zu setzen.

Derselbe Prozentsatz kann bei einer 12V Batteriebank mit einem 6 V Mittelpunkt eingestellt werden.

Im Falle einer 48V Batteriebank, die aus 12 V in Reihe geschalteten Batterien besteht, verringert sich der prozentuale Einfluss einer Batterie auf den Mittelpunkt um die Hälfte. Daher kann hier der Alarmschwellwert für den Mittelpunkt auf einen niedrigeren Wert eingestellt werden.

9.4 Alarmverzögerung

Um das Auslösen eines Alarms aufgrund von kurzzeitigen Abweichungen, welche die Batterie nicht beschädigen, zu vermeiden, muss eine Abweichung den eingestellten Wert erst 5 Minuten lang überschreiten, bevor ein Alarm ausgelöst wird. Eine Abweichung, die den eingestellten Wert um das doppelte oder mehr überschreitet, löst den Alarm schon nach 10 Sekunden aus.

9.5 Was ist bei einem Alarm während des Ladevorgangs zu unternehmen?

Im Falle einer neuen Batteriebank

Der Alarm ist normalerweise auf Unterschiede im anfänglichen Ladezustand der einzelnen Batterien zurückzuführen. Wenn die Abweichung auf mehr als 3% steigt, sollten Sie das Laden der Batteriebank beenden und die einzelnen Batterien oder Zellen separat laden. Eine weitere Möglichkeit besteht darin, den Ladestrom für die Batteriebank erheblich zu reduzieren, wodurch sich die Batterien im Laufe der Zeit ausgleichen können. Wenn das Problem nach mehreren Lade-/Entladezyklen weiter besteht, gehen Sie wie folgt vor:

- Im Falle einer Reihen-Parallelschaltung trennen Sie die Mittelpunkt- und Parallelschaltungsverdrahtung und messen Sie die einzelnen Mittelpunktsspannungen während der Absorptionsladung, um Batterien oder Zellen, die eine zusätzliche Ladung benötigen, zu isolieren.
- Laden Sie die Batterien bzw. Zellen auf und testen sie dann alle getrennt voneinander.

Im Falle einer älteren Batteriebank, die sich in der Vergangenheit gut bewährt hat Das Problem könnte auf eine systematische Unterbelastung zurückzuführen sein. In diesem Fall ist ein häufigeres Laden oder eine Ausgleichladung erforderlich. Bitte beachten Sie, dass nur geflutete Deep-Cycle-Flachplatten- oder OPzS-Batterien ausgeglichen werden können. Ein besseres und regelmäßigeres Laden wird das Problem lösen.

Falls eine oder mehrere fehlerhafte Zellen vorhanden sind:

- Im Falle einer Reihen-Parallelschaltung trennen Sie die Mittelpunkt- und Parallelschaltungsverdrahtung und messen Sie die einzelnen Mittelpunktsspannungen während der Absorptionsladung, um Batterien oder Zellen, die eine zusätzliche Ladung benötigen, zu isolieren.
- Laden Sie die Batterien bzw. Zellen auf und testen sie dann alle getrennt voneinander.

9.6 Was bei einem Alarm während des Entladens zu tun ist

Die einzelnen Batterien oder Zellen einer Batteriebank sind nicht identisch, und wenn eine Batteriebank vollständig entladen wird, beginnt die Spannung einiger Zellen früher abzufallen als andere. Der Mittelpunktsspannungsalarm wird daher fast immer am Ende einer Tiefenentladung ausgelöst. Wird der Mittelpunktsspannungsalarm viel früher ausgelöst (und nicht während des Ladevorgangs) kann es sein, dass einige Batterien bzw. Zellen an Kapazität verloren haben bzw. einen höheren Innenwiderstand entwickelt haben, als andere. Die Batteriebank kann das Ende der Lebensdauer erreicht haben, oder eine oder mehrere Zellen oder Batterien haben einen Fehler entwickelt:

- Bei in Reihe - parallel geschalteten Anschlüssen, entfernen Sie die Parallelanschluss-Verkabelung der Mittelpunkte und messen Sie die einzelnen Mittelpunktsspannungen während des Entladevorgangs, um fehlerhafte Batterien bzw. Zellen zu isolieren.
- Laden Sie die Batterien bzw. Zellen auf und testen sie dann alle getrennt voneinander.

9.7 Der Batterieausgleicher

Es kann in Erwägung gezogen werden, dem System einen Batterieausgleicher hinzuzufügen. Ein Batterieausgleicher gleicht den Ladezustand von zwei in Reihe geschalteten 12 V-Batterien oder von mehreren parallelen Strings von in Reihe geschalteten Batterien aus.

Wenn die Ladespannung eines 24V-Batteriesystems auf über 27,3V ansteigt, schaltet sich der Batterieausgleicher ein und vergleicht die Spannung bei den zwei in Serie geschalteten Batterien. Der Batterieausgleicher entnimmt der Batterie (oder den parallel geschalteten Batterien) mit der höchsten Spannung einen Strom von bis zu 0,7 A. Der daraus resultierende Unterschied beim Ladestrom sorgt dann dafür, dass sich alle Batterien an denselben Ladezustand angleichen. Falls notwendig können mehrere Balancer parallel geschaltet werden.

Eine 48V-Batterie-Bank kann mit drei Batterieausgleichern ausgeglichen werden, einer zwischen jeder Batterie.

Weitere Informationen finden Sie im Datenblatt zum Batterieausgleicher auf der Produktseite des Batterieausgleichers: <https://www.victronenergy.com.au/batteries/battery-balancer>

10 FEHLERBEHEBUNG

10.1 Funktionalitätsprobleme

10.1.1 Einheit ist tot, kein Licht an

Beim ersten Anschluss sollte die blaue LED am SmartShunt blinken. Wenn dies nicht der Fall ist, überprüfen Sie die Sicherung im Vbatt+-Kabel und überprüfen Sie auch das Kabel selbst und seine Klemmen.

Bitte beachten Sie, dass die blaue LED am SmartShunt auch ausgeschaltet sein kann, wenn Bluetooth deaktiviert wurde. Der SmartShunt scheint tot zu sein. Siehe Absatz 10.2.1: „Cannot connect via Bluetooth“ für Anweisungen, wie dies behoben werden kann.

Falls der Temperatursensor verwendet wird:

- Der Kabelschuh des Temperatursensors M8 muss an den positiven Pol der Batteriebank angeschlossen werden (der rote Draht des Sensors dient gleichzeitig als Stromversorgungsleitung).
- Prüfen Sie die Sicherung im Pluskabel (rot).
- Stellen Sie sicher, dass der richtige Temperatursensor verwendet wird. Der MultiPlus-Temperatursensor funktioniert nicht mit dem SmartShunt.
- Vergewissern Sie sich, dass der Temperatursensor auf die richtige Weise angeschlossen wurde. Das rote Kabel sollte an die SmartShunt Vbatt+-Klemme und das schwarze Kabel an die Aux-Klemme angeschlossen werden.

Siehe Absatz 3.4.3: „Aux connection for temperature monitoring“ für Anschlussanweisungen und einen Schaltplan.

10.1.2 Der Hilfsanschluss funktioniert nicht

Überprüfen Sie die Sicherung im Aux-Kabel und prüfen Sie auch das Kabel selbst und seine Klemmen.

Falls die Starterbatterie verwendet wird: Stellen Sie sicher, dass beide Batteriebanken einen gemeinsamen Minuspol haben. Siehe Absatz 3.4.1: „Aux connection for monitoring the voltage of a second battery“ für Anschlussanweisungen und einen Schaltplan.

Falls der Temperatursensor verwendet wird:

- Der Kabelschuh des Temperatursensors M8 muss an den positiven Pol der Batteriebank angeschlossen werden (der rote Draht des Sensors dient gleichzeitig als Stromversorgungsleitung).
- Prüfen Sie die Sicherung im Pluskabel (rot).
- Stellen Sie sicher, dass der richtige Temperatursensor verwendet wird. Der MultiPlus-Temperatursensor funktioniert nicht mit dem SmartShunt.
- Vergewissern Sie sich, dass der Temperatursensor auf die richtige Weise angeschlossen wurde. Das rote Kabel sollte an die SmartShunt Vbatt+-Klemme und das schwarze Kabel an die Aux-Klemme angeschlossen werden.

Siehe Absatz 3.4.3: „Aux connection for temperature monitoring“ für Anschlussanweisungen und einen Schaltplan.

10.1.3 Einstellungen können nicht geändert werden

Die Einstellungen können nur geändert werden, wenn der SmartShunt mit der aktuellsten Firmware läuft. Aktualisieren Sie auf die neueste Firmware mit der VictronConnect App.

10.2 Verbindungsprobleme

10.2.1 Verbindung über Bluetooth nicht möglich

Es ist höchst unwahrscheinlich, dass die SmartShunt Bluetooth-Schnittstelle fehlerhaft ist. Einige Hinweise, die man versuchen sollte, bevor man Hilfe sucht:

- Ist der SmartShunt eingeschaltet? Das blaue Licht sollte blinken. Wenn das blaue Licht nicht blinkt, siehe Absatz 10.1.1: „Unit is dead, no lights on“.
- Ist bereits ein anderes Telefon oder Tablet an den SmartShunt angeschlossen? Dies wird durch ein blaues Licht angezeigt, das eingeschaltet bleibt. Es kann immer nur ein Telefon oder Tablet an einen SmartShunt angeschlossen werden. Stellen Sie sicher, dass keine anderen Geräte angeschlossen sind und versuchen Sie es erneut.
- Ist die VictronConnect App auf dem neuesten Stand?
- Sind Sie nahe genug am SmartShunt? Auf freier Fläche beträgt der maximale Abstand etwa 20 Meter.
- Benutzen Sie die Windows-Version der VictronConnect App? Diese Version kann kein Bluetooth ausführen. Verwenden Sie stattdessen Android, iOS oder MacOS (oder verwenden Sie die USB - VE.Direct-Schnittstelle).
- Wurde Bluetooth in den Einstellungen abgeschaltet? Siehe Absatz 7.5.5: „Disabling and re-enabling Bluetooth“.

Informationen zu Verbindungsproblemen finden Sie im Abschnitt zur Fehlerbehebung im VictronConnect Handbuch: <https://www.victronenergy.com/live/victronconnect:start>

10.2.2 PIN-Code verloren

Wenn Sie den PIN-Code verloren haben, müssen Sie den PIN-Code auf den Standard-PIN-Code zurücksetzen, siehe Absatz 7.5.4: „Changing PIN code“.

Weitere Informationen und spezifische Anweisungen finden Sie im VictronConnect-Handbuch: <https://www.victronenergy.com/live/victronconnect:start>

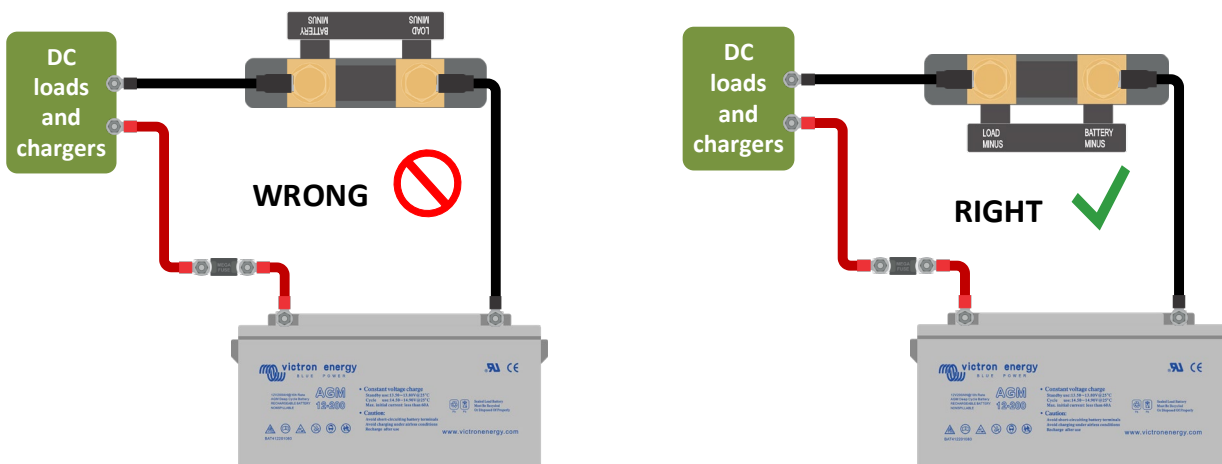
10.3 Falsche Messungen

10.3.1 Lade- und Entladestrom sind vertauscht

Der Ladestrom sollte als positiver Wert angegeben werden. Zum Beispiel: 1.45 A.

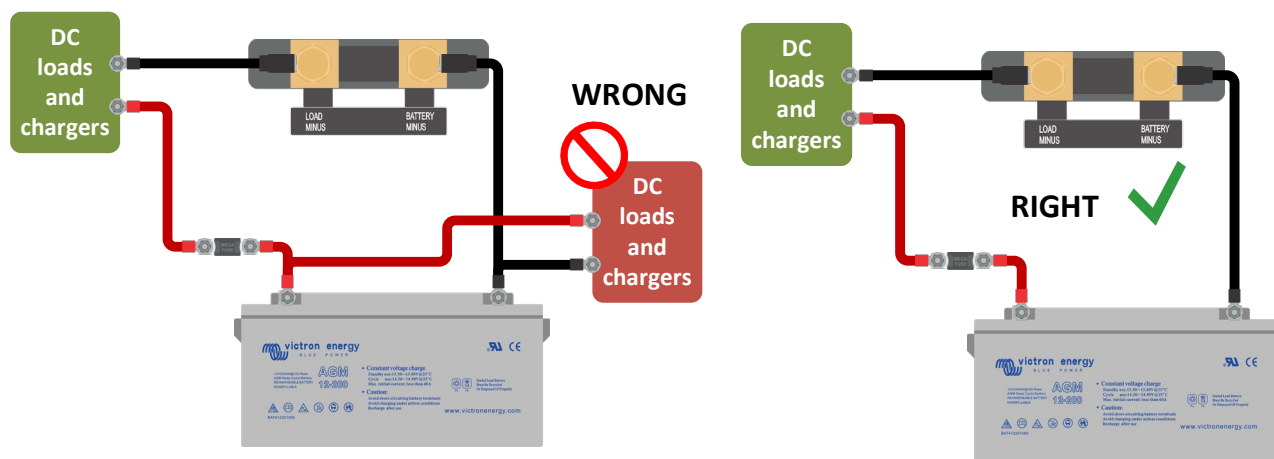
Der Entladungsstrom sollte als negativer Wert angezeigt werden. Zum Beispiel: -1.45 A.

Wenn die Lade- und Entladeströme vertauscht werden, müssen die negativen Stromkabel am SmartShunt vertauscht werden. Siehe Absatz 3.3: „Basic electrical connections“.



10.3.2 Unvollständige Stromlesung

Die Negative aller Lasten und Ladequellen im System müssen an die Lastminuseite des SmartShunts angeschlossen werden. Wenn der Minuspol von Lasten oder Ladequellen direkt mit dem Minuspol der Batterie verbunden ist, fließen die Ströme zu diesen Lasten oder Ladequellen nicht durch den SmartShunt, und sie werden von der Stromablesung und damit auch von der Ladezustandsablesung ausgeschlossen. Der SmartShunt zeigt einen höheren Ladezustand als den tatsächlichen Ladezustand der Batterie an.



10.3.3 Es gibt eine Strommessung, während kein Strom fließt

Führen Sie eine Nullstromkalibrierung durch, während alle Lasten abgeschaltet sind (Absatz 7.1.13), oder stellen Sie den Stromschwellenwert ein (Absatz 7.1.8).

10.3.4 Falscher Ladezustandsmesswert

Falscher Ladezustand aufgrund eines Synchronisierungsproblems

Der Ladezustand ist ein berechneter Wert und muss von Zeit zu Zeit zurückgesetzt (synchronisiert) werden. Die folgenden Parameter wirken sich auf die Berechnung des Ladezustands aus, wenn sie falsch eingestellt wurden:

- Batteriekapazität
- Ladespannung und Schweißstrom
- Peukert-Exponent und Ladungseffizienzfaktor
- Ladezustand und Synchronisationseinstellungen

Weitere Informationen zu diesen Parametern finden Sie im Absatz 7.1: „Battery settings“.

Siehe auch nächster Absatz **¡Error! No se encuentra el origen de la referencia.: „¡Error! No se encuentra el origen de la referencia.“**.

Inkorrekter Ladezustand durch falsche Stromablesung

Der Ladezustand wird berechnet, indem man sich ansieht, wie viel Strom in und aus der Batterie fließt. Wenn die aktuelle Anzeige falsch ist, ist auch der Ladezustand falsch. Siehe Absatz **¡Error! No se encuentra el origen de la referencia.: „¡Error! No se encuentra el origen de la referencia.“**.

10.3.5 Der Ladezustand zeigt drei Striche an "---"

Dies bedeutet, dass sich der SmartShunt in einem unsynchronisierten Zustand befindet. Dies tritt vor allem dann auf, wenn der SmartShunt gerade installiert wurde oder nachdem der SmartShunt ausgeschaltet wurde und wieder eingeschaltet wird. Laden Sie die Batterien und der SmartShunt sollte sich automatisch synchronisieren. Wenn das nicht funktioniert, überprüfen Sie die Synchronisierungseinstellungen, siehe Absatz 5.3: „Synchronising the SmartShunt“.

Wenn Sie wissen, dass die Batterie vollständig geladen ist, aber nicht warten wollen, bis der SmartShunt synchronisiert ist, dann drücken Sie die Taste SoC auf 100% synchronisieren, siehe Absatz 7.1.12: „Synchronise SoC to 100%“.

10.3.6 Der Ladezustand erreicht nicht 100 %.

Der SmartShunt synchronisiert und setzt den Ladezustand auf 100% zurück, sobald die Batterie vollständig geladen ist. Laden Sie die Batterie vollständig auf und prüfen Sie, ob der SmartShunt korrekt erkennt, ob die Batterie vollständig geladen ist. Wenn der SmartShunt nicht erkennt, dass die Batterie vollständig geladen ist, müssen Sie die Einstellungen für die Ladespannung, den Schweifstrom bzw. die Ladezeit überprüfen oder anpassen. Für weitere Informationen siehe Absatz 5.3.1: „Automatic synchronisation“.

Der Ladezustand steigt beim Aufladen nicht schnell genug

Prüfen Sie, ob die Batteriekapazität korrekt eingestellt ist. Siehe Absatz 7.1.1: „Battery capacity“.

Der Ladezustand zeigt immer 100% an

Ein Grund könnte sein, dass die SmartShunt-Negativkabel falsch herum verdrahtet wurden, siehe Absatz **¡Error! No se encuentra el origen de la referencia.: ¡Error! No se encuentra el origen de la referencia.**

10.3.7 Falsche Spannungsmessung

Hauptbatteriespannung zu niedrig

Problem mit dem Vbatt+-Kabel, vielleicht sind die Sicherung, das Kabel selbst oder eine der Klemmen defekt oder haben lockere Anschlüsse.

Falsche Verkabelung: Das Vbatt+-Kabel muss an den Pluspol der Batteriebank angeschlossen werden, nicht in der Mitte der Batteriebank.

Falls ein Temperatursensor verwendet wird, stellen Sie sicher, dass der Sensor an den Pluspol der Batteriebank und nicht in der Mitte der Batteriebank angeschlossen wird.

Starterbatteriespannung zu niedrig

Problem mit dem Aux-Kabel, vielleicht sind die Sicherung, das Kabel selbst oder einer der Klemmen defekt oder haben lockere Anschlüsse.

Starterbatteriespannung fehlt

Stellen Sie sicher, dass sich beide Batterien ein gemeinsames Negativ teilen. Eine Anleitung für die korrekte Verdrahtung der Starterbatterie finden Sie im Absatz 3.4.1: „Aux connection for monitoring the voltage of a second battery“.

10.3.8 Synchronisationsprobleme

Der SmartShunt synchronisiert nicht automatisch

Eine Möglichkeit ist, dass die Batterie nie einen vollständig geladenen Zustand erreicht. Laden Sie die Batterie vollständig auf und prüfen Sie, ob der Ladezustand schließlich 100 % anzeigt.

Eine weitere Möglichkeit besteht darin, dass die aufgeladene Spannungseinstellung verringert und/oder die Schweifstrom-Einstellung erhöht werden muss. Siehe Absatz 5.3: „Synchronising the SmartShunt“.

Der SmartShunt synchronisiert zu früh

Dies kann in Solarsystemen oder anderen Anwendungen mit schwankenden Ladungsströmen der Fall sein. Ergreifen Sie die folgenden Maßnahmen, um die Wahrscheinlichkeit zu verringern, dass der SmartShunt den Ladezustand vorzeitig auf 100% setzt:

- Erhöhen Sie die „geladene“ Spannung bis knapp unter die Absorptionsladespannung. Zum Beispiel: 14,2 V im Falle von 14,4V Absorptionsspannung (für eine 12V-Batterie).
- Erhöhen Sie die „Zeit für Ladezustand-Erkennung“ bzw. verringern Sie den Schweifstrom, um ein vorzeitiges Zurücksetzen aufgrund vorbeiziehender Wolken zu verhindern.
- Siehe Absatz 5.3: „Synchronising the SmartShunt“.

Der Ladezustand zeigt drei Striche an --- :

Dies bedeutet, dass sich der SmartShunt in einem unsynchronisierten Zustand befindet. Dies tritt hauptsächlich dann auf, wenn der SmartShunt gerade installiert wurde oder nachdem der SmartShunt ausgeschaltet und wieder eingeschaltet wurde. Laden Sie die Batterien und der SmartShunt sollte sich automatisch synchronisieren. Wenn das nicht funktioniert, überprüfen Sie die Synchronisierungseinstellungen, siehe Absatz 5.3: „Synchronising the SmartShunt“.

Wenn Sie wissen, dass die Batterie vollständig geladen ist, aber nicht warten wollen, bis der SmartShunt synchronisiert ist, dann drücken Sie die Taste SoC auf 100% synchronisieren, siehe Absatz 7.1.12: „Synchronise SoC to 100%“.

11 TECHNISCHE DATEN

SmartShunt	500A / 1000A / 2000A
Spannungsbereich Stromversorgung	6.5 - 70 VDC
Stromaufnahme	< 1mA
Bereich der Eingangsspannung, Zusatzbatterie	6.5 - 70 VDC
Batteriekapazität (Ah)	1 - 9999 Ah
Betriebstemperaturbereich	-40 +50 °C (-40 - 120 °F)
Misst die Spannung der zweiten Batterie, die Temperatur* oder den Mittelpunkt	Ja
Temperaturmessbereich*	-20 +50°C
VE.Direct Kommunikationsanschluss	Ja
AUFLÖSUNG UND GENAUIGKEIT	
Strom	± 0.1A
Spannung	± 0.01V
Amperestunden	± 0.1 Ah
Ladezustand (0 – 100 %)	± 0.1%
Restlaufzeit	± 1 min
Temperatur (0 - 50°C oder 30 - 120°F)	± 1 °C/°F
Genauigkeit der Strommessung	± 0.4%
Offset	Weniger als 10 / 20 / 40 mA
Genauigkeit der Spannungsmessung	± 0.3%
INSTALLATION & ABMESSUNGEN	
Maße (HxBxT)	500 A: 46 x 120 x 54 mm 1000A: 68 x 120 x 54 mm 2000A: 68 x 120 x 76 mm
Schutzklasse	IP21
NORMEN	
Sicherheit	EN 60335-1
Emissionen / Immunität	EN-IEC 61000-6-1 EN-IEC 61000-6-2 EN-IEC 61000-6-3
Automobilbranche	EN 50498
Kabel (mitgeliefert)	2 Kabel mit Sicherung für '+' und Aux-Anschluss
Temperatur-Fühler	Optional (ASS000100000)

* Nur wenn ein optionaler Temperatursensor angeschlossen ist, ist der Temperatursensor nicht enthalten

Índice

1	Precauciones de seguridad.....	4
1.1	Advertencias de seguridad para baterías	4
1.2	Transporte y almacenamiento	4
2	Introducción.....	5
2.1	SmartShunt	5
2.2	¿Por qué debo controlar mi batería?	5
2.3	Dimensiones.....	5
2.4	VictronConnect	5
2.5	Accesorios.....	5
3	Instalación.....	6
3.1	¿Qué hay en la caja?.....	6
3.2	Montaje	6
3.3	Conexiones eléctricas básicas	6
3.3.1	Conexión negativa de la batería	6
3.3.2	Conexión negativa de la carga	6
3.3.3	Conexión Vbatt+	6
3.4	Conexiones eléctricas auxiliares	7
3.4.1	Conexión auxiliar para controlar la tensión de una segunda batería.....	7
3.4.2	Conexión auxiliar para controlar el punto medio de una bancada de baterías	7
3.4.3	Conexión auxiliar para controlar la temperatura.....	8
3.5	Conexión de dispositivos GX	8
4	Puesta en marcha	9
4.1	Descargar e instalar VictronConnect.....	9
4.2	Colocación del fusible	9
4.3	Conexión al SmartShunt	9
4.4	Actualización de firmware	9
4.5	Ajustes básicos.....	9
4.5.1	Configuración de la capacidad de la batería	10
4.5.2	Configuración de la tensión cargada.....	10
4.5.3	Configuración del estado de la carga.....	10
4.5.4	Configuración de la función de la entrada auxiliar	11
4.6	Ajustes para litio (si procede).....	11
5	Funcionamiento.....	12
5.1	¿Cómo funciona el SmartShunt?	12
5.2	Resumen de las lecturas.....	12
5.3	Sincronización del SmartShunt	13
5.3.1	Sincronización automática.....	13
5.3.2	Sincronización manual	14
5.4	Alarmas	14

5.5	Registro histórico.....	14
5.6	Tendencias.....	15
5.7	Códigos de los LED indicadores.....	15
6	Interfaces.....	16
6.1	VictronConnect mediante USB.....	16
6.2	Conexión a un dispositivo GX y a VRM.....	16
6.3	Conexión a una red VE.Smart.....	17
6.4	Integración personalizada (requiere programación).....	17
7	Funciones y ajustes.....	18
7.1	Ajustes de la batería.....	18
7.1.1	Capacidad de la batería.....	18
7.1.2	Tensión cargada.....	18
7.1.3	Límite de descarga.....	18
7.1.4	Corriente de cola.....	18
7.1.5	Tiempo de detección de batería cargada.....	19
7.1.6	Exponente de Peukert.....	19
7.1.7	Factor de eficiencia de la carga.....	19
7.1.8	Umbral de corriente.....	19
7.1.9	Periodo promedio de autonomía restante.....	19
7.1.10	Inicio sincronizado de la batería.....	20
7.1.11	Estado de carga.....	20
7.1.12	Sincronización del estado de carga al 100%.....	20
7.1.13	Calibrado de corriente cero.....	20
7.2	Ajustes de alarma.....	20
7.2.1	Ajuste de la alarma de estado de carga.....	21
7.2.2	Alarma de tensión baja.....	22
7.2.3	Alarma de tensión alta.....	22
7.2.4	Alarma de tensión de arranque baja.....	22
7.2.5	Alarma de tensión de arranque alta.....	22
7.2.6	Alarma de desviación del punto medio.....	23
7.2.7	Alarma de temperatura alta.....	23
7.2.8	Alarma de temperatura baja.....	23
7.3	Ajustes varios.....	24
7.3.1	Entrada auxiliar.....	24
7.3.2	Coeficiente de temperatura.....	24
7.4	Configuración de la unidad de temperatura.....	24
7.5	Configuración del producto.....	24
7.5.1	Restablecimiento de los valores de fábrica.....	24
7.5.2	Nombre personalizado.....	24
7.5.3	Firmware.....	24
7.5.4	Cambio del código PIN.....	25

7.5.5	Desactivación y reactivación del Bluetooth	25
7.5.6	Número de serie.....	25
7.6	Guardar, cargar y compartir ajustes	25
7.7	Restablecer la historia	25
7.8	Restablecimiento del código PIN.....	26
8	Capacidad de la batería y exponente de Peukert.....	27
9	Control de la tensión del punto medio	28
9.1	Diagrama de conexión de la bancada de baterías y el punto medio.....	28
9.1.1	Conexión y seguimiento del punto medio en una bancada de baterías de 24 V	28
9.1.2	Conexión y seguimiento del punto medio en una bancada de baterías de 48 V	29
9.2	Cálculo de la desviación del punto medio.....	29
9.3	Definición del nivel de alarma	30
9.4	Retardo de la alarma	30
9.5	Qué hacer si salta una alarma durante la carga	30
9.6	Qué hacer si salta una alarma durante la descarga.....	31
9.7	Battery Balancer (equilibrador de baterías)	31
10	Resolución de problemas.....	32
10.1	Problemas de funcionamiento	32
10.1.1	La unidad está apagada, sin luces encendidas.....	32
10.1.2	El puerto auxiliar no funciona	32
10.1.3	No se puede cambiar la configuración.....	32
10.2	Problemas de conexión.....	32
10.2.1	No puede conectarse mediante Bluetooth	32
10.2.2	Código PIN perdido.....	33
10.3	Lecturas incorrectas.....	33
10.3.1	Las corrientes de carga y descarga están invertidas.....	33
10.3.2	Lectura de corriente incompleta.....	34
10.3.3	Hay lectura de corriente aunque no pase corriente.....	34
10.3.4	Lectura incorrecta del estado de carga.....	34
10.3.5	El estado de carga muestra tres guiones "---"	34
10.3.6	El estado de carga no llega al 100%.....	35
10.3.7	Lectura incorrecta de tensión	35
10.3.8	Problemas de sincronización.....	35
11	Información técnica.....	37

1 PRECAUCIONES DE SEGURIDAD

1.1 Advertencias de seguridad para baterías



Trabajar cerca de una batería de ácido y plomo es peligroso. Las baterías pueden producir gases explosivos durante su funcionamiento. Nunca fume ni permita que se produzcan chispas o llamas en las inmediaciones de una batería. Deje que haya suficiente ventilación alrededor de la batería.



Use indumentaria y gafas de protección. Evite tocarse los ojos cuando trabaje cerca de baterías. Lávese las manos cuando haya terminado.



Si el ácido de la batería tocara su piel o su ropa, lávese inmediatamente con agua y jabón. Si el ácido se introdujera en los ojos, enjuáguelos inmediatamente con agua fría corriente durante al menos 15 minutos y busque atención médica de inmediato.



Tenga cuidado al utilizar herramientas metálicas cerca de las baterías. Si una herramienta metálica cayera sobre una batería podría provocar un cortocircuito y, posiblemente, una explosión.



Quítese sus objetos personales metálicos, como anillos, pulseras, collares y relojes al trabajar con una batería. Una batería puede producir una corriente de cortocircuito lo bastante alta como para fundir el metal de un anillo o similar, provocando quemaduras graves.

1.2 Transporte y almacenamiento

Coloque el SmartShunt en un entorno seco.

La temperatura del lugar debe ser de: entre -40°C y +60°C.

2 INTRODUCCIÓN

2.1 SmartShunt

El SmartShunt es un monitor de baterías. Mide la tensión y la corriente de la batería. A partir de estas mediciones calcula el estado de carga y la autonomía y hace un seguimiento de datos históricos, como la descarga más profunda, la descarga media y el número de ciclos.

El SmartShunt se conecta mediante Bluetooth a la [aplicación VictronConnect](#). La aplicación VictronConnect se usa para leer todos los parámetros de la batería controlados y también para hacer ajustes o modificarlos. El SmartShunt también puede conectarse a un [dispositivo GX](#), como ColorControl GX o Cerbo GX.

El SmartShunt tiene una entrada auxiliar que puede usarse para controlar la tensión de una segunda batería o para controlar el punto medio de una bancada de baterías. La entrada auxiliar también puede usarse para controlar la temperatura de la batería junto con el [sensor de temperatura para BMV](#) opcional.

2.2 ¿Por qué debo controlar mi batería?

Las baterías se utilizan en una gran variedad de aplicaciones, en general para almacenar energía para su uso posterior. Pero ¿cuánta energía hay almacenada en la batería? Nadie puede saberlo con solo mirarla. La vida útil de las baterías depende de muchos factores. Puede verse reducida por exceso o defecto de carga, descargas demasiado profundas, corrientes de carga o descarga excesivas y altas temperaturas ambientales. Al controlar la batería con un monitor de baterías avanzado, el usuario recibirá información importante que le permitirá remediar posibles problemas cuando sea necesario. Esto alargará la vida útil de la batería y el SmartShunt se amortizará rápidamente.

2.3 Dimensiones

El SmartShunt está disponible en: 500 A, 1000 A y 2000 A

2.4 VictronConnect

VictronConnect es una aplicación gratuita disponible para Android, iOS, MacOS o Windows.

Puede descargarse en las tiendas de aplicaciones correspondientes o en nuestra página de descargas. Se necesita VictronConnect para configurar y leer el SmartShunt.

2.5 Accesorios

Dependiendo de su instalación, podría necesitar:

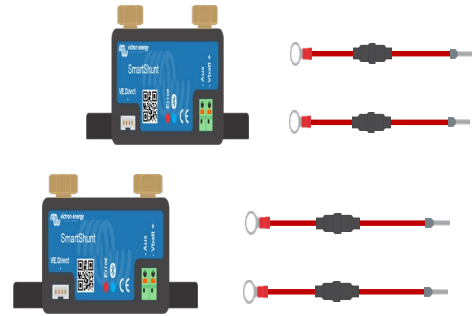
- Sensor de temperatura para BMV.
- Interfaz VE.Direct a USB.
- Dispositivo GX.
- Cable VE.Direct.

3 INSTALACIÓN

3.1 ¿Qué hay en la caja?

En la caja encontrará los siguientes artículos:

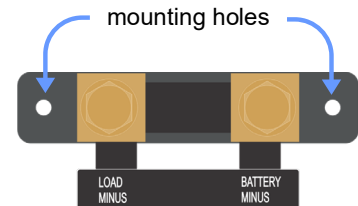
- SmartShunt 500 A, 1000 A o 2000 A.
- Dos cables rojos con fusible.



3.2 Montaje

El SmartShunt tiene en su base dos orificios de 5.5 mm para el montaje. Los orificios pueden usarse para atornillar el SmartShunt a una superficie dura (los tornillos no están incluidos).

El SmartShunt tiene categoría de protección IP21. Esto significa que no es resistente al agua y debe montarse en un lugar seco.



3.3 Conexiones eléctricas básicas

El SmartShunt tiene tres conexiones esenciales y una opcional. Este capítulo describe cómo conectarlas.

3.3.1 Conexión negativa de la batería

Conecte el polo negativo de la batería al perno M10 del lado del “NEGATIVO DE LA BATERÍA” del SmartShunt.

3.3.2 Conexión negativa de la carga

Conecte el polo negativo del sistema eléctrico al perno M10 del lado del “NEGATIVO DE LA BATERÍA” del SmartShunt. Asegúrese de que los negativos de todas las cargas CC y fuentes de carga se conectan “después” del SmartShunt.

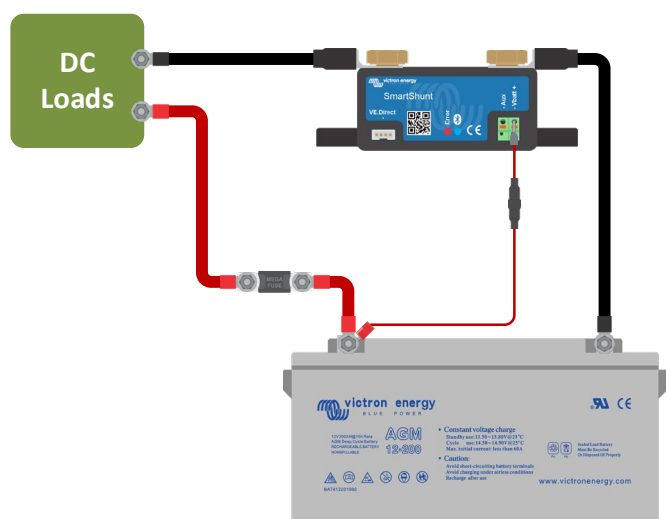
3.3.3 Conexión Vbatt+

Conecte el terminal M8 del cable rojo con fusible al terminal positivo de la batería.

Conecte el casquillo del cable rojo con fusible al SmartShunt colocando la arandela en el terminal “Vbatt+”.

En cuanto se conecte el fusible en el cable, el Bluetooth del SmartShunt empezará a parpadear. El SmartShunt está ahora activo. El siguiente paso es configurarlo con la aplicación VictronConnect. Esto se explica en el capítulo 4: “Commissioning”.

En caso de que el puerto auxiliar vaya a usarse para controlar una segunda batería, el punto medio o la temperatura, consulte cómo hacerlo en el apartado correspondiente de los siguientes y luego vaya al capítulo 4: “Puesta en marcha”.



3.4 Conexiones eléctricas auxiliares

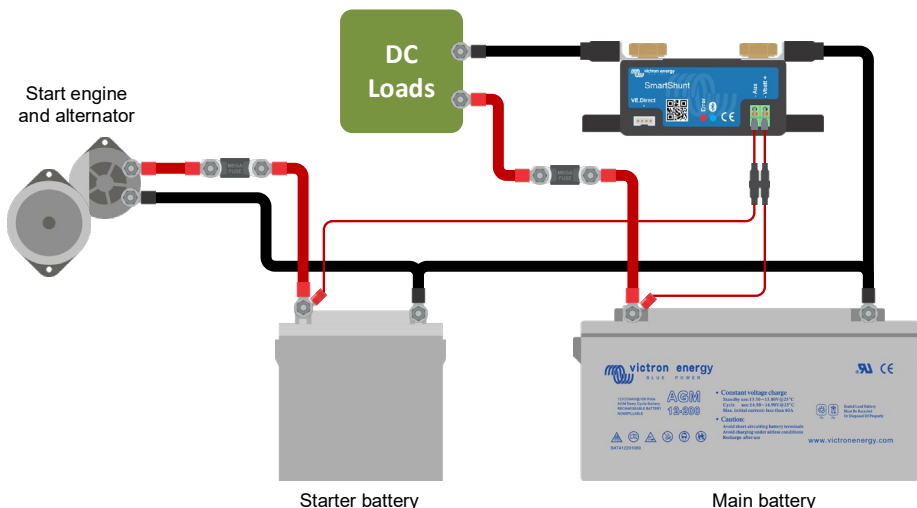
Además del exhaustivo control que realiza sobre la bancada principal de baterías, el SmartShunt también puede controlar un segundo parámetro. Puede tratarse de la tensión de una segunda batería (batería de arranque), la desviación de punto medio de una bancada de baterías o la temperatura de la batería. Para ello, el SmartShunt dispone de una segunda entrada de control, la entrada auxiliar (Aux). En este capítulo se describe cómo conectar la entrada auxiliar en las tres opciones de configuración posibles.

3.4.1 Conexión auxiliar para controlar la tensión de una segunda batería

La conexión auxiliar puede utilizarse para controlar la tensión de una segunda batería, como la de arranque.

Así es como deben hacerse las conexiones:

- Conecte el terminal M8 del cable rojo con fusible al terminal positivo de la segunda batería.
- Conecte el casquillo del cable rojo con fusible al SmartShunt colocando la arandela en el terminal "Aux".
- Asegúrese de que el negativo de la batería principal y el negativo de la segunda batería son el mismo.

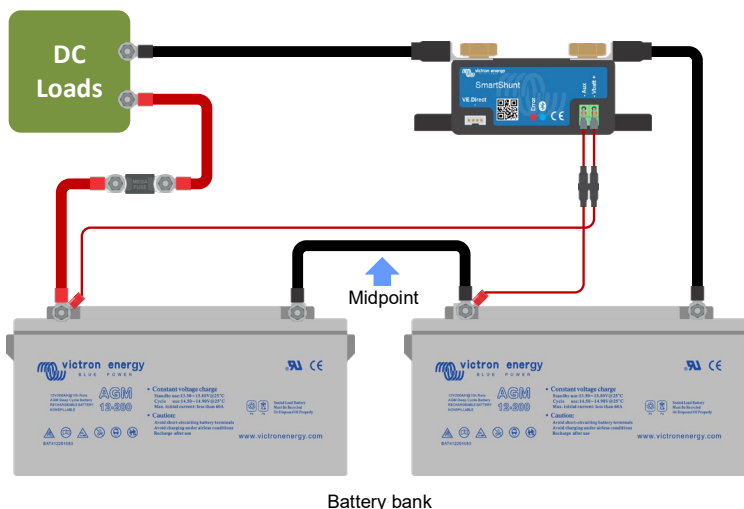


3.4.2 Conexión auxiliar para controlar el punto medio de una bancada de baterías

La conexión auxiliar puede utilizarse para controlar la tensión del punto medio de una bancada de baterías formada por varias baterías conectadas en serie para obtener una bancada de baterías de 24 o 48 V.

Así es como deben hacerse las conexiones:

- Conecte el terminal M8 del cable rojo con fusible al terminal positivo del punto medio.
- Conecte el casquillo del cable rojo con fusible al SmartShunt colocando la arandela en el terminal "Aux".



Para más información sobre el seguimiento del punto medio, véase el capítulo 9. En este capítulo también se proporciona información y diagramas de cableado sobre cómo controlar el punto medio de bancadas de baterías conectadas en serie/paralelo.

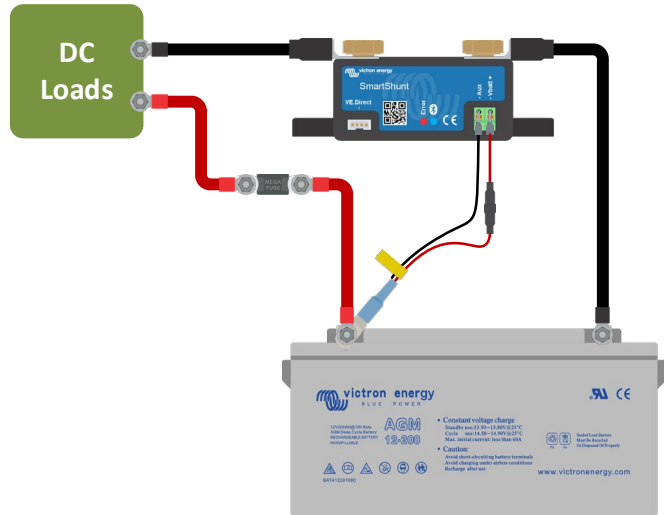
3.4.3 Conexión auxiliar para controlar la temperatura

La conexión auxiliar puede utilizarse para controlar la temperatura de una batería. Para poder controlar la temperatura tendrá que adquirir el: "Sensor de temperatura para BMV". Se trata de un cable con un sensor de temperatura integrado (referencia del artículo ASS000100000). Tenga en cuenta que este sensor de temperatura es distinto de los que se usan con los inversores/cargadores y los cargadores de baterías de Victron.



Así es como deben hacerse las conexiones:

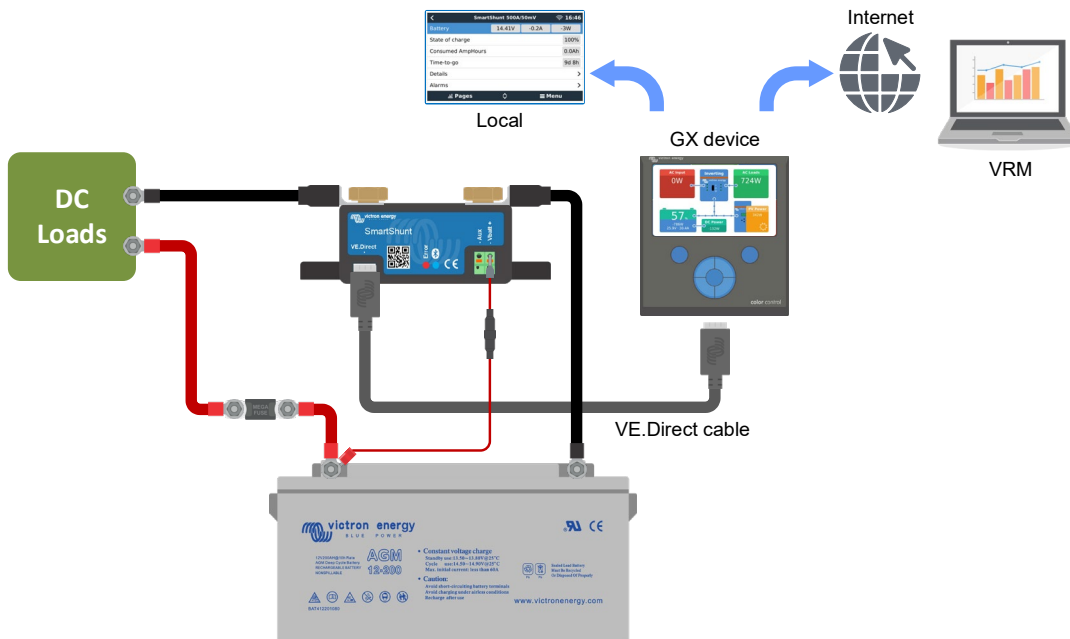
- Conecte el terminal M8 del cable rojo con fusible al terminal positivo de la batería.
- Conecte el casquillo del cable rojo (con fusible) al SmartShunt colocando la arandela en el terminal "Vbatt+".
- Conecte el casquillo del cable negro al SmartShunt colocando la arandela en el terminal "Aux".



Tenga en cuenta que si se usa el sensor de temperatura, los cables de alimentación rojos que vienen con el SmartShunt no son necesarios. El sensor de temperatura sustituirá a estos cables.

3.5 Conexión de dispositivos GX

Si el sistema contiene un dispositivo GX, el SmartShunt puede conectarse a un dispositivo GX con un cable VE.Direct (referencia del artículo ASS03053xxxx). Una vez conectado, el dispositivo GX puede usarse para leer todos los parámetros de la batería controlados. Para más información, véase el capítulo 6.2: "Connecting to a GX device and VRM".



4 PUESTA EN MARCHA

Una vez realizadas las conexiones eléctricas, es necesario configurar el SmartShunt. Esto se hace a través de la aplicación VictronConnect. Esta aplicación es necesaria para configurar y leer el SmartShunt.

4.1 Descargar e instalar VictronConnect

Para poder comunicarse con el SmartShunt y configurarlo tendrá que usar la aplicación VictronConnect. VictronConnect es una aplicación gratuita disponible para Android, iOS, MacOS o Windows. Puede descargarse en las tiendas de aplicaciones correspondientes. O puede ir a la sección de “Descargas” de nuestro sitio web: <https://www.victronenergy.com/support-and-downloads/software>.

4.2 Colocación del fusible

Si no lo ha hecho antes, coloque el fusible en el cable Vbatt+. La luz “Bluetooth” azul tendría que empezar a parpadear.

4.3 Conexión al SmartShunt

Puede conectarse al SmartShunt mediante VictronConnect. Esto se hace a través del Bluetooth. También es posible conectarse al SmartShunt mediante USB o VRM (Victron Remote Monitoring). Para más información, véase el apartado 6: “Interfacing”.

Así es como se conecta:

- Abra la aplicación VictronConnect.
- Compruebe si el SmartShunt aparece en la lista de dispositivos.
- Pulse en el SmartShunt.
- Introduzca el código PIN predeterminado, 000000.
- Si se ha conectado correctamente, la luz “Bluetooth” permanece encendida.

Tras introducir el código PIN predeterminado, VictronConnect le pedirá que cambie el código PIN. Así se evitarán conexiones no autorizadas en el futuro. Se recomienda cambiar el código PIN la primera vez que se instale. Esto puede hacerse en la pestaña de información del producto, véase el apartado 7.5.4: “Changing PIN code”.

Para más información sobre VictronConnect, consulte el manual correspondiente.

<https://www.victronenergy.com/live/victronconnect:start>.


4.4 Actualización de firmware

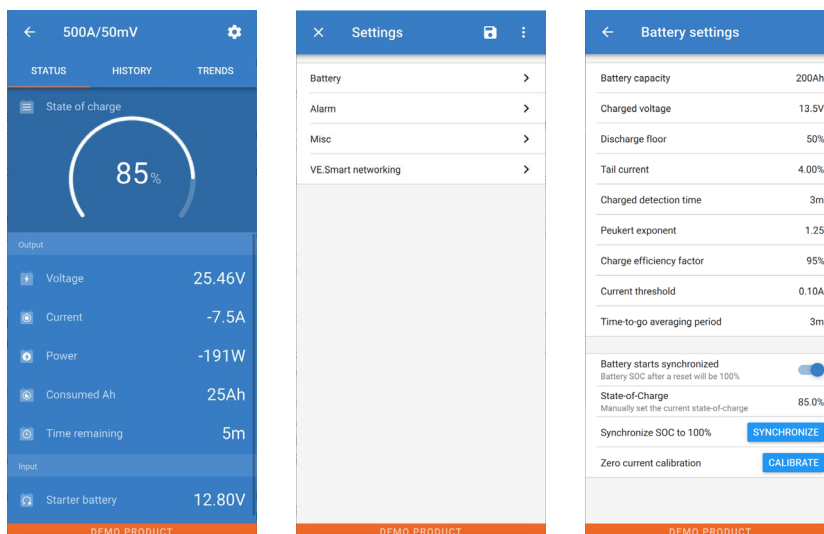
La primera vez que se conecte, es posible que VictronConnect le pida que actualice el firmware de la interfaz de Bluetooth o del SmartShunt. Esto debe hacerse siempre la primera vez que se instale. Si el firmware no está actualizado, la configuración no puede cambiarse y solo el seguimiento estará activo.

4.5 Ajustes básicos

Los ajustes predeterminados del SmartShunt están pensados para baterías de ácido y plomo (baterías inundadas, GEL o AGM).

Tenga en cuenta que si se usan baterías de litio o con otras combinaciones químicas, es necesario cambiar algunos parámetros. Haga primero los ajustes básicos descritos en este apartado y luego consulte en el siguiente apartado los ajustes especiales para litio. O puede ponerse en contacto con el proveedor de su batería y consultar el apartado 7.1: “Battery settings”.

Para hacer ajustes, vaya al menú de configuración pulsando en el botón de  configuración, situado en la esquina superior derecha de VictronConnect.



Se pueden mantener la mayoría de los ajustes predeterminados. Pero es necesario cambiar algunos ajustes. Estos ajustes son:

- Capacidad de la batería.
- Tensión cargada.
- Estado de carga o inicio sincronizado.
- La función de la entrada auxiliar (si se usa).

Para consultar el significado de todos los ajustes, véase el apartado 7.1: “Battery settings”.

4.5.1 Configuración de la capacidad de la batería

Puede encontrar este ajuste en VictronConnect > Configuración> Batería.

El SmartShunt está configurado por defecto en 200 Ah. Cambie este valor para ajustarlo a la capacidad de su batería. Para más información sobre la capacidad de la batería, véase el apartado 7.1.1: “Battery capacity”.

4.5.2 Configuración de la tensión cargada

Puede encontrar este ajuste en VictronConnect > Configuración> Batería.

El SmartShunt está configurado por defecto en 0.0 V. A diferencia del BMV, el SmartShunt no detecta automáticamente la tensión del sistema. Tendrá que configurar el “Tensión cargada”.

Estos son los valores de “Tensión cargada” recomendados:

Tensión nominal de la batería	Ajuste recomendado de tensión cargada
12 V	13.2V
24 V	26.4 V
36 V	39.6 V
48 V	52.8 V

Para más información sobre la tensión cargada, véase el apartado 7.1.2: “Charged voltage”.

4.5.3 Configuración del estado de la carga

Puede encontrar este ajuste en VictronConnect > Configuración> Batería.

Al encenderlo por primera vez, el SmartShunt mostrará por defecto un estado de carga del 100%. Si quiere cambiar este valor, se puede fijar el valor del estado de carga manualmente. Para más información, véase el apartado 7.1.10: “Battery starts synchronised” y el apartado 7.1.11: “State of charge”.

4.5.4 Configuración de la función de la entrada auxiliar

Puede encontrar este ajuste en VictronConnect > Configuración > Varios.
Este ajuste determina la función de la entrada auxiliar, que puede ser:

- Batería de arranque - Control de la tensión de una segunda batería.
- Punto medio - Medición del punto medio de una bancada de baterías.
- Temperatura - Medición de la temperatura de la batería con el sensor de temperatura opcional.

4.6 Ajustes para litio (si procede)

La combinación química más usada en las baterías de litio es LiFePO₄ (litio, hierro y fosfato o LFP). En general, todos los ajustes predeterminados de fábrica son aplicables a las baterías LFP, a excepción de los siguientes:

- Eficiencia de carga.
- Exponente de Peukert.
- Corriente de cola.

Eficiencia de carga

La eficiencia de carga de las baterías de ion litio es muy superior a la de las baterías de ácido y plomo. Se recomienda establecer la eficiencia de carga en el 99%. Para más información, véase el apartado 7.1.7: "Charge efficiency factor".

Exponente de Peukert

Cuando están sometidas a velocidades de descarga altas, las baterías de litio tienen un mejor rendimiento que las de ácido y plomo. Fije el exponente de Peukert en 1.05, salvo que el proveedor de la batería le indique otra cosa.

Corriente de cola

Algunos cargadores de baterías de litio dejan de cargar cuando la corriente cae por debajo de un umbral predeterminado. La corriente de cola debe situarse por encima de este umbral.

Límite de descarga

Este parámetro se usa para calcular la "autonomía" y se fija en 50% por defecto. Pero normalmente las baterías de litio soportan descargas mucho más profundas del 50%. El límite de descarga puede fijarse en un valor entre el 10 y el 20%, salvo que el proveedor de la batería aconseje otra cosa.

Advertencia importante

Las baterías de litio son caras y pueden sufrir daños irreparables debido a una descarga profunda o a una sobrecarga. Pueden producirse daños por descarga profunda si hay pequeñas cargas que descargan la batería lentamente cuando el sistema no está en uso. Por ejemplo, puede tratarse de cargas como sistemas de alarma, corrientes de cargas CC y drenaje de corriente de cargadores de baterías o reguladores de carga.

Una corriente de descarga residual es especialmente peligrosa si el sistema se ha descargado por completo y se ha producido una desconexión por baja tensión en las celdas. En este momento el estado de carga puede bajar hasta el 1%. La batería de litio quedará dañada si se extrae la corriente que quede en la batería. Este daño puede ser irreversible.

Una corriente residual de 1 mA, por ejemplo, puede dañar una batería de 100 Ah si el sistema se deja en estado de descarga durante más de 40 días (1 mA x 24 h x 40 días = 0,96 Ah).

El SmartShunt extrae <1 mA de una batería de 12 V. Por lo tanto, la alimentación positiva debe interrumpirse si un sistema con baterías de ion litio se deja desatendido durante un periodo de tiempo lo suficientemente largo como para que el SmartShunt descargue la batería por completo.

Si tiene cualquier duda sobre el posible consumo de corriente residual, aisle la batería abriendo el interruptor de la batería, quitando el fusible o fusibles de la batería o desconectando el positivo de la batería, cuando el sistema no esté en uso.

5 FUNCIONAMIENTO

5.1 ¿Cómo funciona el SmartShunt?

La función principal del SmartShunt es la de controlar e indicar el estado de carga de una batería, para poder saber cuánta carga tiene la batería y para evitar una descarga total imprevista.

El SmartShunt mide continuamente el flujo de corriente que entra y sale de la batería. La integración de esta corriente a lo largo del tiempo, si se tratase de una corriente fija, se reduce a multiplicar la corriente por el tiempo y nos dará la cantidad neta de Ah añadidos o retirados.

Por ejemplo: una corriente de descarga de 10 A durante 2 horas consumirá $10 \times 2 = 20$ Ah de la batería.

Para complicar las cosas, la capacidad efectiva de una batería depende de la velocidad de descarga, de la eficiencia de Peukert y, en menor medida, de la temperatura. Y para complicar aún más las cosas: al cargar una batería se necesita "bombear" más Ah en la misma, que pueden ser recuperados durante la siguiente descarga. En otras palabras: la eficiencia de la carga es inferior al 100%.

El SmartShunt considera todos estos factores para calcular el estado de carga.

5.2 Resumen de las lecturas

La pantalla de estado del SmartShunt muestra un resumen de parámetros importantes:

- Estado de carga.
- Tensión de la batería.
- Corriente de la batería.
- Energía.
- Lectura de la entrada auxiliar (batería de arranque, punto medio o temperatura).

Estado de carga

Este es el estado real de la carga de la batería expresado como porcentaje y compensado para la eficiencia de Peukert y la eficiencia de carga. El estado de la carga es la mejor manera de controlar la batería.

Se indicará que la batería está completamente cargada con un valor de 100.00%. Se indicará que la batería está completamente descargada con un valor de 0.0%.

Tenga en cuenta que si el estado de carga muestra tres guiones: "---" significa que el SmartShunt no está sincronizado. Esto suele ocurrir cuando el SmartShunt se acaba de instalar o si se ha dejado sin alimentación y se vuelve a encender. Para más información, véase el apartado 5.3: "Synchronising the SmartShunt".

Tensión

Muestra la tensión terminal de la batería.

Corriente

Representa la corriente real que entra o sale de la batería. Una corriente negativa indica que se está sacando corriente de la batería. Esta es la corriente necesaria para cargas CC. Una corriente positiva indica que está entrando corriente en la batería. Esta es la corriente procedente de las fuentes de alimentación. Tenga presente que el SmartShunt siempre indicará la corriente total de la batería, que es la corriente que llega a la batería menos la corriente que sale de ella.

Energía

La energía extraída de la batería o recibida por la misma.

Ah consumidos

El SmartShunt hace un seguimiento de los amperios hora extraídos de la batería y compensados por la eficiencia.

Ejemplo: Si se extrae una corriente de 12 A de una batería completamente cargada durante un periodo de 3 horas, la lectura mostrará -36.0 Ah ($-12 \times 3 = -36$).

Tenga en cuenta que si el parámetro de Ah consumidos muestra tres guiones: "---" significa que el SmartShunt no está sincronizado. Esto suele ocurrir cuando el SmartShunt se acaba de instalar o si se ha dejado sin alimentación y se vuelve a encender. Para más información, véase el apartado 5.3: "Synchronising the SmartShunt".

Tiempo restante

El SmartShunt también hace una estimación del periodo de tiempo durante el que la batería puede soportar la carga presente. Esta es la lectura de “autonomía” y es el tiempo que falta para que la batería se descargue hasta el “límite de descarga”. Por defecto, el límite de descarga es del 50%. Para más información sobre el ajuste del límite de descarga, véase el apartado 7.1.3: “Discharge floor”.

Si la carga fluctúa mucho, lo mejor será no confiar demasiado en esta lectura, ya que es una lectura momentánea y debe utilizarse sólo como referencia. Siempre aconsejamos la lectura del estado de la carga para un control preciso de la batería.

Si el parámetro de “Tiempo restante” muestra tres guiones: “---” significa que el SmartShunt no está sincronizado. Esto suele ocurrir cuando el SmartShunt se acaba de instalar o si se ha dejado sin alimentación y se vuelve a encender. Para más información, véase el apartado 5.3: “Synchronising the SmartShunt”.

Entrada

Este es el estado de la entrada auxiliar (Aux). En función de cómo se haya configurado el puerto AUX, aparecerá una de las siguientes opciones:

- **Tensión de la batería de arranque:** Muestra la tensión de una segunda batería.
- **Temperatura de la batería:** Si se usa el sensor de temperatura opcional, muestra la temperatura de la batería principal.
- **Desviación de la tensión del punto medio:** Muestra la desviación expresada como porcentaje de la tensión principal de la parte superior de la bancada de baterías con respecto a la de la parte inferior. Para más información sobre esta función, véase el capítulo 9. “Midpoint voltage monitoring”.

5.3 Sincronización del SmartShunt

Para obtener una lectura fiable, el estado de carga de la batería mostrado en el monitor de la batería debe sincronizarse periódicamente con el estado de carga real de la batería. Así se evita la deriva del valor del “Estado de carga” con el tiempo. La sincronización restablecerá el valor del estado de carga de la batería al 100%.

5.3.1 Sincronización automática

La sincronización es un proceso automático que tiene lugar cuando la batería se ha cargado por completo. El SmartShunt comprobará algunos parámetros para verificar que la batería se ha cargado por completo. Considerará que la batería está completamente cargada cuando la tensión haya alcanzado un determinado valor y la corriente haya caído por debajo de un determinado valor durante un cierto periodo de tiempo.

Estos parámetros son:

- **Tensión cargada** - la tensión de flotación del cargador de la batería.
- **Corriente de cola** - un porcentaje de la capacidad de la batería.
- **Tiempo de detección de batería cargada** - tiempo en minutos.

Una vez que estos tres parámetros se hayan comprobado, el SmartShunt sincronizará el estado de carga poniendo su valor en el 100%.

Ejemplo:

En el caso de una batería de 12 V, el SmartShunt volverá a poner el estado de carga de la batería en 100% cuando se cumpla lo siguiente:

- La tensión es superior a 13.2V,
- la corriente de carga es inferior al 4.0% de la capacidad total de la batería (por ejemplo, 8 A para una batería de 200 Ah) y,
- las condiciones de tensión y corriente se han mantenido durante 3 minutos.

Si el SmartShunt no realiza una sincronización periódica, el valor del estado de carga empezará a derivar con el tiempo. Esto se debe a las pequeñas faltas de precisión del SmartShunt y a la estimación del exponente de Peukert. Una vez que la batería se ha cargado por completo, y el cargador ha entrado en el estado de flotación,

la batería está llena y el SmartShunt se sincronizará automáticamente fijando el valor del estado de carga en el 100%.

5.3.2 Sincronización manual

El SmartShunt también puede sincronizarse manualmente, si fuese necesario. Esto puede hacerse pulsando el botón de sincronización en los ajustes de la batería de VictronConnect.

Puede ser necesario hacer una sincronización manual en situaciones en las que el SmartShunt no se sincronice de forma automática. Por ejemplo, esto es necesario en la primera instalación o si se interrumpe el suministro de tensión al SmartShunt.

También puede ser necesario hacer una sincronización manual cuando la batería no se haya cargado por completo o si el SmartShunt no ha detectado que la batería se ha cargado por completo porque la tensión cargada, la corriente o el tiempo no se han configurado correctamente. En este caso, revise la configuración y asegúrese de que la batería se carga por completo periódicamente.

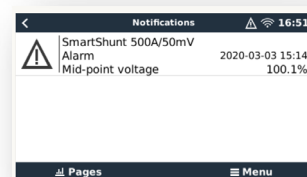
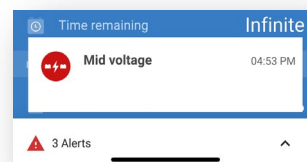
5.4 Alarmas

El SmartShunt puede hacer saltar una alarma por lecturas de estado de carga bajo, tensión alta o baja de la batería, temperatura alta o baja o una determinada desviación del punto medio. La alarma saltará cuando el valor alcance un determinado umbral y se desactivará cuando el valor se aleje de dicho umbral.

La alarma es una alarma de software. Al conectarse a VictronConnect, las alarmas activas aparecerán en la aplicación. Del mismo modo, al conectar el SmartShunt a un dispositivo GX, las alarmas activas aparecerán en el dispositivo GX o en VRM.

En el caso de VictronConnect, la alarma se confirma pulsando un botón. Y en un dispositivo GX se confirma al verla en las notificaciones. Sin embargo, el icono de la alarma seguirá apareciendo mientras permanezcan vigentes las condiciones de alarma.

Tenga en cuenta que a diferencia de la gama de baterías BMV, el SmartShunt no dispone de un relé de alarma ni de una señal acústica. En caso de que se necesite una función de relé, conecte el SmartShunt a un dispositivo GX y use el relé del dispositivo GX con la funcionalidad SmartShunt.



5.5 Registro histórico

El SmartShunt guarda un registro histórico que puede utilizarse con posterioridad para evaluar los patrones de uso y el estado de la batería. El registro histórico de datos puede encontrarse en la pestaña "Historia" de VictronConnect.

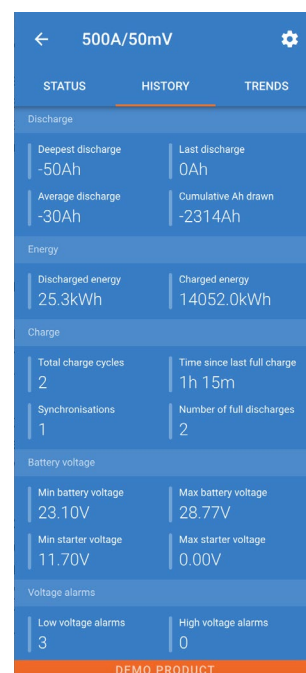
Los datos históricos se almacenan en una memoria no volátil y no se perderán si se interrumpe la alimentación del SmartShunt o si se restablecen sus valores predeterminados.

Información de descarga en Ah

- Descarga más profunda: El SmartShunt registra la descarga más profunda y cada vez que la batería se descargue más allá de ese valor, reescribirá el dato.
- Última descarga: El SmartShunt hace un seguimiento de la descarga durante el ciclo de corriente y muestra el valor de Ah consumidos más alto registrado desde la última sincronización.
- Descarga media: Los Ah extraídos acumulados divididos por el total de ciclos.
- Ah extraídos acumulados - El valor acumulado de amperios hora extraídos de la batería a lo largo de la vida del SmartShunt.

Energía en kWh

- Energía descargada: La cantidad total de energía extraída de la batería en (k)Wh.



- Energía cargada: La cantidad total de energía absorbida por la batería en (k)Wh.

Carga

- Número total de ciclos de carga: El número de ciclos de carga a lo largo de la vida del SmartShunt. Se cuenta un ciclo de carga cada vez que el estado de carga de la batería cae por debajo del 65% y después sube por encima del 90%.
- Tiempo desde la última carga completa: Los días transcurridos desde la última carga completa.
- Sincronizaciones: El número de sincronizaciones automáticas realizadas. Se cuenta una sincronización cada vez que el estado de carga cae por debajo del 90% antes de una sincronización.
- Número de descargas completas: La cantidad de descargas completas. Se cuenta una descarga completa cada vez que el estado de carga llega al 0%.

Tensión de la batería

- Tensión mínima de la batería: La tensión más baja de la batería.
- Tensión máxima de la batería: La tensión más alta de la batería.
- Tensión mínima de arranque: La tensión más baja de la batería auxiliar (si procede).
- Tensión máxima de arranque: La tensión más alta de la batería auxiliar (si procede).

Alarmas de tensión

- Alarmas de tensión baja: La cantidad de alarmas disparadas por tensión baja.
- Alarmas de tensión alta: La cantidad de alarmas disparadas por tensión alta.

5.6 Tendencias

La sección de "Tendencias" de VictronConnect permite el registro de datos, pero solo mientras VictronConnect está conectado y en comunicación con el SmartShunt. Registrará simultáneamente dos de los siguientes parámetros: tensión, corriente, Ah consumidos o estado de carga.

5.7 Códigos de los LED indicadores

El SmartShunt tiene dos LED: un LED de estado del Bluetooth (azul) y un LED de error (rojo). Los dos están conectados con la interfaz de Bluetooth del SmartShunt.

- En el momento del encendido, el LED azul parpadea y el rojo se ilumina rápidamente. El LED rojo se ilumina brevemente para confirmar que está operativo.
- El LED azul parpadea para indicar que el SmartShunt está listo para conectarse a VictronConnect.
- Si el LED azul permanece encendido significa que el SmartShunt se ha conectado correctamente a VictronConnect mediante Bluetooth.
- Cuando los LED azul y rojo parpadean alternativamente significa que el firmware del SmartShunt se está actualizando.

6 INTERFACES

El SmartShunt puede conectarse a otros equipos. En este capítulo se describe cómo hacerlo.

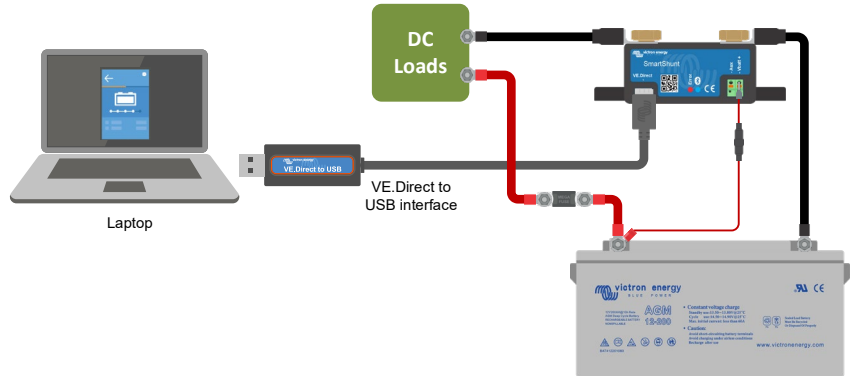
6.1 VictronConnect mediante USB

VictronConnect se puede conectar mediante Bluetooth y USB. La conexión USB es indispensable al conectarse a la versión de Windows de VictronConnect y es opcional cuando se usan las versiones de MacOS o Android. Tenga en cuenta que si se conecta a un teléfono o tableta Android podría necesitar un cable "USB on the Go".

Para conectarse mediante USB necesitará una "interfaz de VE.Direct a USB", referencia del artículo SS030530000. Use esta interfaz para conectar el ordenador al SmartShunt.

Para más información, consulte el manual de VictronConnect:

<https://www.victronenergy.com/live/victronconnect:start>.



6.2 Conexión a un dispositivo GX y a VRM

Los dispositivos GX son dispositivos de Victron que proporcionan control y seguimiento de todos los productos Victron conectados. El control y el seguimiento pueden hacerse localmente y también a distancia mediante nuestro sitio web gratuito de seguimiento a distancia, el portal VRM. Puede ver todos los dispositivos GX disponibles en:

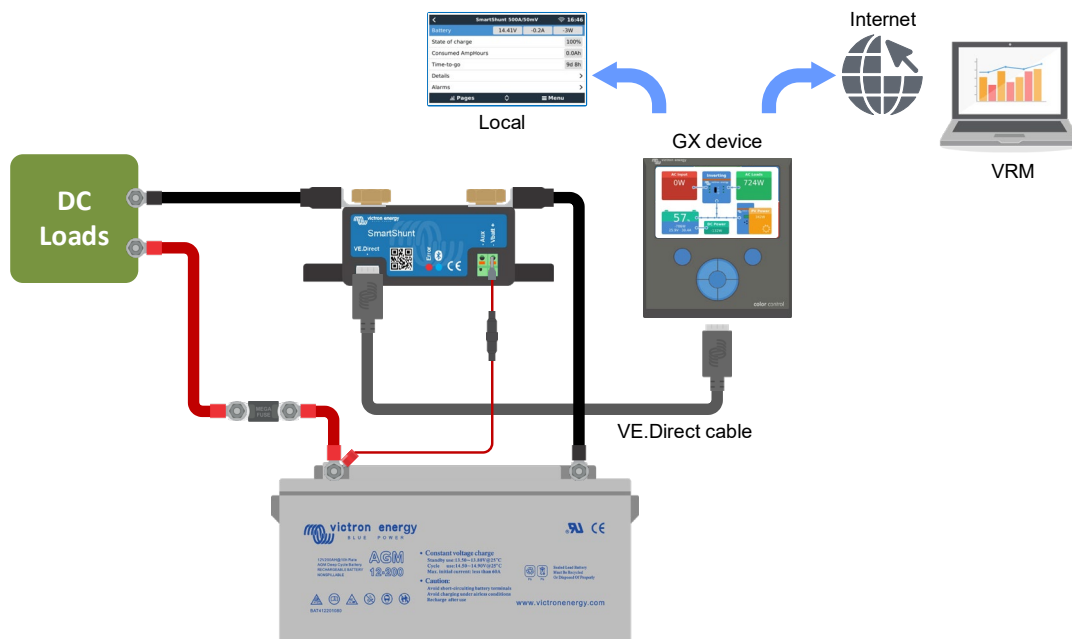
<https://www.victronenergy.com.au/panel-systems-remote-monitoring>.

Puede encontrar un enlace a VRM en: <https://vrm.victronenergy.com>

El SmartShunt puede conectarse a un dispositivo GX con un cable VE.Direct (referencia del artículo ASS03053xxxx). Puede encontrar los cables VE.Direct en longitudes de entre 0.3 y 10 metros y con conectores rectos y en ángulo. En lugar de usar un cable VE.Direct, el SmartShunt también puede conectarse al dispositivo GX con la interfaz VE.Direct a USB.

Una vez conectado, el dispositivo GX puede usarse para leer todos los parámetros de la batería controlados.

SmartShunt 500A/50mV		
Battery	14.41V	-0.2A -3W
State of charge	100%	
Consumed AmpHours	0.0Ah	
Time-to-go	9d 8h	
Details	>	
Alarms	>	

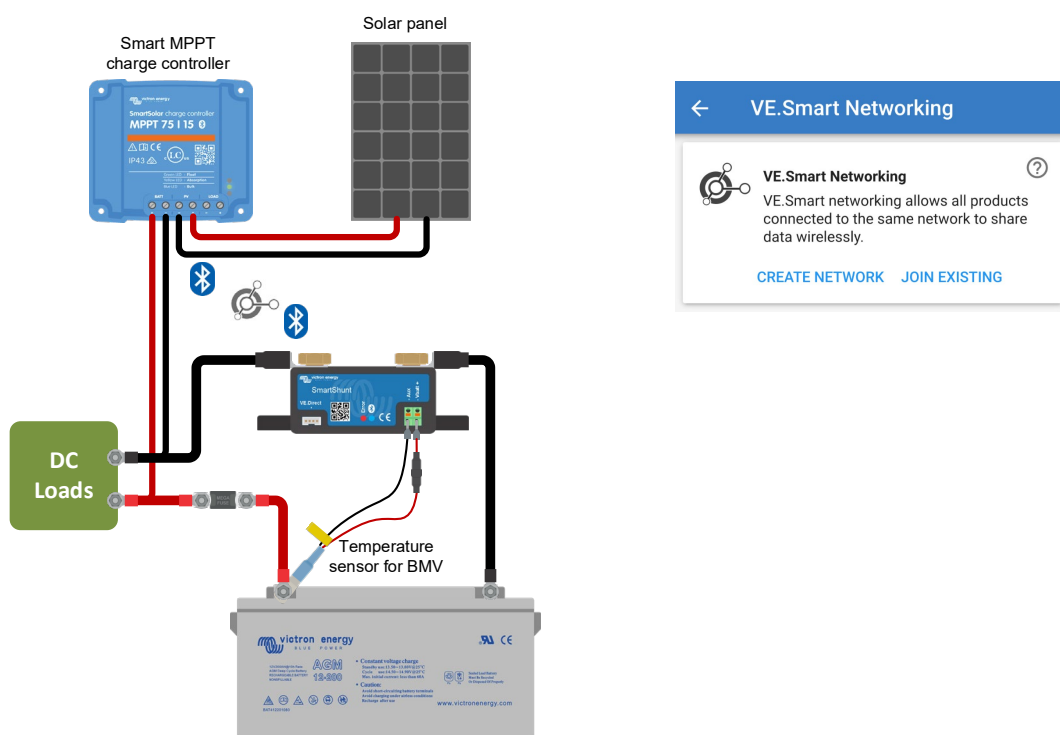


6.3 Conexión a una red VE.Smart

La red VE.Smart es una red inalámbrica que hace posible que una serie de productos de Victron puedan intercambiar información mediante Bluetooth. El SmartShunt puede compartir datos de tensión y temperatura (si dispone del sensor de temperatura opcional) de la batería con la red VE.Smart.

Por ejemplo: En una red VE.Smart con un SmartSolar con sensor de temperatura y un cargador solar MPPT, el cargador solar recibe los datos de tensión y temperatura de la batería del SmartShunt y los usa para optimizar sus parámetros de carga. Esto mejorará la eficiencia de la carga y prolongará la vida da la batería.

Para que el SmartShunt forme parte de una red VE.Smart, tendrá que crear una red o unirse a una ya existente. El ajuste puede encontrarse en la configuración del SmartShunt >red inteligente. Por favor, consulte el manual de la red VE.Smart para más información: <https://www.victronenergy.com/live/victronconnect:ve-smart-networking>



6.4 Integración personalizada (requiere programación)

El puerto de comunicaciones VE.Direct puede utilizarse para leer datos y modificar ajustes. El protocolo VE.Direct es muy sencillo de implementar. No es necesario transmitir datos al SmartShunt para aplicaciones simples: el SmartShunt envía automáticamente todas las lecturas cada segundo.

Todos los pormenores se explican en este documento:

https://www.victronenergy.com/upload/documents/Whitepaper-Data-communication-with-Victron-Energy-products_EN.pdf

7 FUNCIONES Y AJUSTES

7.1 Ajustes de la batería

Estos ajustes pueden usarse para afinar la configuración del SmartShunt. Tenga cuidado al modificar estos ajustes ya que los cambios afectará al cálculo del estado de carga del SmartShunt.

7.1.1 Capacidad de la batería

Este parámetro se usa para indicarle al SmartShunt el tamaño de la batería. Este ajuste debería haberse hecho durante la instalación inicial del SmartShunt.

El ajuste es la capacidad de la batería en amperios hora (Ah). Para más información, véase el capítulo 8: "Battery capacity and Peukert exponent".

Configuración por defecto	Rango	Paso de progresión
200 Ah	1 – 9999 Ah	1 Ah

7.1.2 Tensión cargada

La tensión de la batería debe estar por encima de este nivel para considerar la batería como completamente cargada. En cuanto el SmartShunt detecta que la tensión de la batería ha alcanzado la "tensión cargada" y que la corriente de cola ha caído por debajo de la "corriente de cola" durante un determinado periodo de tiempo, fijará el estado de carga en el 100%.

Configuración por defecto	Rango	Paso de progresión
0 V	0 - 95 V	0.1 V

El parámetro de "tensión cargada" debería estar siempre 0,2 V o 0.3 V por debajo de la tensión de flotación del cargador. También puede consultar el ajuste recomendado en la tabla siguiente.

Configuración recomendada para baterías de ácido y plomo:

Tensión nominal de la batería	Ajuste de tensión cargada
12 V	13.2V
24 V	26.4 V
36 V	39.6 V
48 V	52.8 V

7.1.3 Límite de descarga

El parámetro del "Límite de descarga" se usa en el cálculo del tiempo restante. El tiempo restante es el tiempo que falta para alcanzar el "Límite de descarga" establecido.

Configuración por defecto	Rango	Paso de progresión
50%	0 - 99%	1%

7.1.4 Corriente de cola

Se considera que la batería está "completamente cargada" cuando la corriente de cola cae por debajo del parámetro de "corriente de cola" establecido. El parámetro de "corriente de cola" se expresa como un porcentaje de la capacidad de la batería.

Observación: Algunos cargadores de baterías dejan de cargar cuando la corriente cae por debajo de un umbral predeterminado. En esos casos, la corriente de cola debe ser superior a dicho umbral.

En cuanto el SmartShunt detecta que la tensión de la batería ha alcanzado el valor de "Tensión cargada" predeterminado y que la corriente de cola ha caído por debajo de la "corriente de cola" durante un determinado periodo de tiempo, fijará el estado de carga en el 100%.

Configuración por defecto	Rango	Paso de progresión
4.00%	0,50 - 10.00%	0.1%

7.1.5 Tiempo de detección de batería cargada

Este es el tiempo durante el que deben mantenerse los valores de “tensión cargada” y “corriente de cola” para considerar que la batería está completamente cargada.

Configuración por defecto	Rango	Paso de progresión
3 minutos	0 – 100 minutos	1 minuto

7.1.6 Exponente de Peukert

Si se desconoce, se recomienda mantener este valor en 1.25 (predeterminado) para baterías de ácido y plomo y cambiarlo a 1.05 para baterías de ion litio. Un valor de 1.00 deshabilita la compensación Peukert. Para más información, véase el capítulo 8: “Battery capacity and Peukert exponent”

Configuración por defecto	Rango	Paso de progresión
1.25	1.00 – 1.50	0.01

7.1.7 Factor de eficiencia de la carga

El “Factor de eficiencia de la carga” compensa las pérdidas de capacidad (Ah) que puedan producirse durante la carga. Un ajuste del 100% significa que no hay pérdidas.

Configuración por defecto	Rango	Paso de progresión
95%	50 - 100%	1%

La eficiencia de la carga de una batería de ácido y plomo será casi del 100% siempre que no se generen gases. El gaseado se produce cuando parte de la corriente de carga no se transforma en la energía química que se almacena en las placas de la batería, sino que sirve para descomponer el agua en oxígeno e hidrógeno en forma de gas (¡muy explosivos!). La energía almacenada en las placas servirá en la siguiente descarga, mientras que la energía utilizada para descomponer el agua se pierde.

El gaseado puede verse fácilmente en las baterías inundadas. Tenga en cuenta que la fase "sólo oxígeno" del final de la carga de baterías selladas de gel (VRLA) y AGM también resulta en una menor eficiencia de la carga. Una eficiencia de carga del 95% significa que se deben transferir 10 Ah a la batería para almacenar 9.5 Ah reales en la misma. La eficiencia de la carga de una batería depende del tipo de batería, de su edad y del uso que se le de. El SmartShunt toma en cuenta este fenómeno aplicando el factor de eficiencia de carga.

7.1.8 Umbral de corriente

Cuando la corriente medida caiga por debajo de este valor, se considerará cero. El “umbral de corriente” se utiliza para cancelar corrientes muy bajas que puedan afectar de forma negativa las lecturas a largo plazo del estado de la carga en ambientes ruidosos. Por ejemplo, si la corriente real a largo plazo es de 0.0 A y, debido a pequeños ruidos o descompensaciones, el monitor de la batería mide -0.05 A, a la larga el SmartShunt podría indicar erróneamente que la batería está vacía o necesita recargarse. Cuando el umbral de corriente de este ejemplo se ajusta en 0.1 A el SmartShunt calcula en base a 0.0 A para eliminar los errores.

Un valor de 0.0 A deshabilita esta función.

Configuración por defecto	Rango	Paso de progresión
0.10 A	0.00 - 2.00 A	0.01 A

7.1.9 Periodo promedio de autonomía restante

Especifica la ventana de tiempo (en minutos) para la que se aplica el filtro de promedios móvil. Un valor de 0 deshabilita el filtro y proporciona una lectura instantánea (en tiempo real). Sin embargo, los valores de “Tiempo restante” mostrados pueden fluctuar mucho. Al seleccionar el periodo de tiempo más largo (12 minutos), se garantiza que sólo las fluctuaciones de carga a largo plazo se incluyen en los cálculos del “Tiempo restante”.

Configuración por defecto	Rango	Paso de progresión
3 minutos	0 – 12 minutos	1 minuto

7.1.10 Inicio sincronizado de la batería

El estado de carga de la batería pasará al 100% tras encender el SmartShunt. Si está en ON, el SmartShunt considerará que está sincronizado cuando se encienda, de modo que el estado de carga será del 100%. Si se pone en OFF, el SmartShunt considerará que no está sincronizado cuando se encienda, de modo que el estado de carga será desconocido hasta que se produzca la primera sincronización real.

Configuración por defecto	Rango
ON	ON/OFF

Tenga en cuenta que pueden surgir situaciones en las que son necesarias consideraciones especiales al fijar esta función en ON. Una de estas situaciones aparece en sistemas en los que la batería se desconecta a menudo del SmartShunt, como en un barco. Si abandona el barco y desconecta el sistema CC con el disyuntor principal de CC y en ese momento las baterías estaban cargadas al 75%, por ejemplo. Al volver al barco, el sistema CC se vuelve a conectar y el SmartShunt indicará el 100%. Esto dará la falsa impresión de que las baterías están llenas, cuando en realidad están parcialmente descargadas.

Hay dos formas de solucionar esto: desconectar el SmartShunt cuando las baterías están parcialmente descargadas o apagar la opción de "Inicio sincronizado de la batería" " ". Ahora, cuando se vuelva a conectar el SmartShunt el estado de carga mostrará "----" y no mostrará el 100% hasta que las baterías se hayan cargado por completo. Recuerde que dejar una batería de ácido y plomo en un estado de descarga parcial durante un periodo de tiempo prolongado causará daños en la misma.

7.1.11 Estado de carga

Con este ajuste, se puede configurar manualmente el valor del estado de carga. Este ajuste solo está activo si el SmartShunt se ha sincronizado al menos una vez. De forma automática o manual.

Configuración por defecto	Rango	Paso de progresión
--%	0.0 - 100%	0.1%

7.1.12 Sincronización del estado de carga al 100%

Esta opción puede utilizarse para sincronizar manualmente el SmartShunt. Pulse el botón "Sincronizar" para sincronizar el SmartShunt al 100%. Para más información, véase el apartado 5.3.2: "Manual synchronisation".

7.1.13 Calibrado de corriente cero

Si el SmartShunt leyera una corriente distinta a cero incluso si no hay una carga conectada y la batería no se está cargando, se puede utilizar esta opción para calibrar la lectura cero.

Asegúrese de que realmente no hay corriente entrando ni saliendo de la batería. Para ello, desconecte el cable entre la carga y el SmartShunt y pulse el "botón de calibración" para realizar un calibrado de corriente cero.

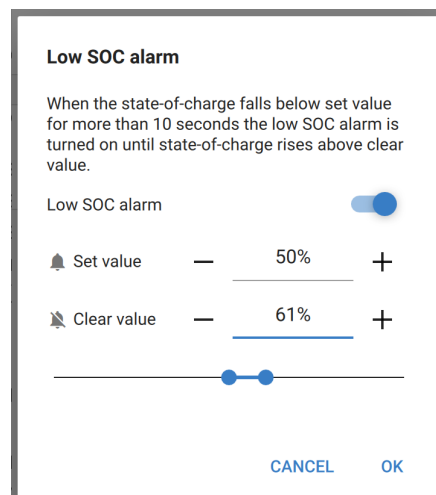
7.2 Ajustes de alarma

Tenga en cuenta que el SmartShunt no dispone de una señal acústica ni de un relé de alarma como la serie BMV. Las alarmas generadas solo pueden verse en la aplicación VictronConnect si está conectada al SmartShunt o usarse para enviar una señal de alarma al dispositivo GX.

7.2.1 Ajuste de la alarma de estado de carga

Si está habilitada, se disparará una alarma cuando el estado de carga caiga por debajo del valor predeterminado durante más de 10 segundos. La alarma se apagará cuando el estado de carga supere el valor de desactivación.

Configuración por defecto	Rango
Deshabilitada	Deshabilitada / habilitada



Si está habilitada	Configuración por defecto		
Valor predeterminado	1%	0 - 100%	1%
Valor de desactivación	2%	0 - 100%	1%

7.2.2 Alarma de tensión baja

Si está habilitada, se disparará una alarma cuando la tensión de la batería caiga por debajo del valor predeterminado durante más de 10 segundos. La alarma se apagará cuando la tensión de la batería supere el valor de desactivación.

Configuración por defecto	Rango
Deshabilitada	Deshabilitada / habilitada

Si está habilitada	Configuración por defecto		
Valor predeterminado	1.0 V	0 - 95.0 V	0.1 V
Valor de desactivación	1.1 V	0 - 95.0 V	0.1 V

7.2.3 Alarma de tensión alta

Si está habilitada, se disparará una alarma cuando la tensión de la batería suba por encima del valor predeterminado durante más de 10 segundos. La alarma se apagará cuando la tensión de la batería caiga por debajo del valor de desactivación.

Configuración por defecto	Rango
Deshabilitada	Deshabilitada / habilitada

Si está habilitada	Configuración por defecto		
Valor predeterminado	1.1 V	0 - 95.0 V	0.1 V
Valor de desactivación	1.0 V	0 - 95.0 V	0.1 V

7.2.4 Alarma de tensión de arranque baja

Este ajuste solo esta disponible si la entrada auxiliar está en "Batería de arranque".

Si está habilitada, se disparará una alarma cuando la tensión de la batería de arranque caiga por debajo del valor predeterminado durante más de 10 segundos. La alarma se apagará cuando la tensión de la batería de arranque supere el valor de desactivación.

Configuración por defecto	Rango
Deshabilitada	Deshabilitada / habilitada

Si está habilitada	Configuración por defecto		
Valor predeterminado	1.0 V	0 - 95.0 V	0.1 V
Valor de desactivación	1.1 V	0 - 95.0 V	0.1 V

7.2.5 Alarma de tensión de arranque alta

Este ajuste solo esta disponible si la entrada auxiliar está en "Batería de arranque".

Si está habilitada, se disparará una alarma cuando la tensión de la batería de arranque suba por encima del valor predeterminado durante más de 10 segundos. La alarma se apagará cuando la tensión de la batería de arranque caiga por debajo del valor de desactivación.

Configuración por defecto	Rango
Deshabilitada	Deshabilitada / habilitada

Si está habilitada	Configuración por defecto		
Valor predeterminado	1.1 V	0 - 95.0 V	0.1 V
Valor de desactivación	1.0 V	0 - 95.0 V	0.1 V

7.2.6 Alarma de desviación del punto medio

Este ajuste solo está disponible si la entrada auxiliar está en "Punto medio".

Si está habilitada, se disparará una alarma cuando la desviación de la tensión del punto medio suba por encima del valor predeterminado durante más de 10 segundos. La alarma se apagará cuando la desviación de la tensión del punto medio caiga por debajo del valor de desactivación.

Configuración por defecto	Rango
Deshabilitada	Deshabilitada / habilitada

Si está habilitada	Configuración por defecto		
Valor predeterminado	2%	0 - 99%	1%
Valor de desactivación	1%	0 - 99%	1%

7.2.7 Alarma de temperatura alta

Este ajuste solo está disponible si la entrada auxiliar está en "Temperatura".

Si está habilitada, se disparará una alarma cuando la temperatura de la batería suba por encima del valor predeterminado durante más de 10 segundos. La alarma se apagará cuando la temperatura de la batería caiga por debajo del valor de desactivación.

Configuración por defecto	Rango
Deshabilitada	Deshabilitada / habilitada

Si está habilitada	Configuración por defecto	Rango	Paso de progresión
Valor predeterminado	2°C (2°F)	-99 +99°C (-146 - +210°F)	1°C (1°F)
Valor de desactivación	1°C (2°F)	-99 +99°C (-146 - +210°F)	1°C (1°F)

7.2.8 Alarma de temperatura baja

Este ajuste solo está disponible si la entrada auxiliar está en "Temperatura".

Si está habilitada, se disparará una alarma cuando la temperatura de la batería caiga por debajo del valor predeterminado durante más de 10 segundos. La alarma se apagará cuando la temperatura de la batería supere el valor de desactivación.

Configuración por defecto	Rango
Deshabilitada	Deshabilitada / habilitada

Si está habilitada	Configuración por defecto	Rango	Paso de progresión
Valor predeterminado	2°C (2°F)	-99 +99°C (-146 - +210°F)	1°C (1°F)
Valor de desactivación	1°C (2°F)	-99 +99°C (-146 - +210°F)	1°C (1°F)

7.3 Ajustes varios

7.3.1 Entrada auxiliar

Este ajuste selecciona la función de la entrada auxiliar. Elija entre: Batería de arranque, Punto medio o Temperatura

Configuración por defecto	Rango
Batería de arranque	Batería de arranque / Punto medio / Temperatura

7.3.2 Coeficiente de temperatura

Este ajuste solo esta disponible si la entrada auxiliar está en "Temperatura".

La capacidad disponible de la batería disminuye con la temperatura. Normalmente, la reducción, con respecto a la capacidad a 20°C es del 18% a 0°C y del 40% a -20°C.

El coeficiente de temperatura es el porcentaje en el que la capacidad de la batería cambia con la temperatura, cuando la temperatura cae por debajo de 20 °C (por encima de 20 °C la influencia de la temperatura sobre la capacidad es relativamente baja y no se toma en cuenta). La unidad de este valor es "%cap/°C" o porcentaje de capacidad por grado Celsius. El valor típico (por debajo de 20 °C) es 1%cap/°C para baterías de plomo y ácido y 0,5%cap/°C para baterías de fosfato de hierro y litio.

Configuración por defecto	Rango	Paso de progresión
0.0%cap/°C	0 - 2,0%cap/°C	0.1%cap/°C
0.0%cap/°F	0 - 3,6%cap/°F	0.1%cap/°F

7.4 Configuración de la unidad de temperatura

Este ajuste puede encontrarse en la configuración de la propia aplicación VictronConnect. Salga del SmartShunt pulsando en la flecha ←. Esto le devolverá a la lista de dispositivos de la aplicación VictronConnect. Pulse en el símbolo de menú ☰ y luego en el de configuración ⚙. Aquí puede seleccionar la "Unidad de temperatura mostrada". Si selecciona Celsius la temperatura aparecerá en °C y si selecciona Fahrenheit la temperatura aparecerá en °F.

Configuración por defecto	Rango
Celsius	Celsius / Fahrenheit

7.5 Configuración del producto

Para acceder a estos ajustes, pulse en el símbolo de configuración ⚙ y luego en el de menú ⋮.

7.5.1 Restablecimiento de los valores de fábrica

Para volver a poner todos los ajustes en los valores de fábrica, seleccione "Restablecer valores de fábrica". Tenga en cuenta que solo se devuelven todos los ajustes a los valores de fábrica, la historia no se resetea.

7.5.2 Nombre personalizado

Puede cambiar el nombre del SmartShunt en la pantalla de información del producto. Por defecto, tiene su nombre de producto. Pero es posible que necesite un nombre más práctico, en especial, puede resultar complicado con qué SmartShunt se está comunicando si usa varios SmartShunt próximos entre sí. Puede añadir, por ejemplo, códigos de identificación al nombre, como: SmartShunt A, SmartShunt B, etc.

7.5.3 Firmware

Tanto el SmartShunt como su interfaz Bluetooth funcionan con firmware. Cada cierto tiempo aparece una versión de firmware nueva. El firmware nuevo se obtiene para añadir funciones o solucionar fallos. El Resumen del producto tanto del SmartShunt como de su interfaz Bluetooth muestran el número de firmware. También se indica si se trata de la última versión de firmware y dispone de un botón para actualizarlo.

La primera vez que lo instale es siempre recomendable actualizarlo a la versión de firmware más reciente (si la hay). Siempre que se conecte al SmartShunt con una versión “actualizada” de VictronConnect, comprobará el firmware y le pedirá que lo actualice si hay una versión más reciente. VictronConnect incluye los archivos de firmware actuales, de modo que no se necesita acceso a Internet para obtener el último firmware, siempre que use la versión más reciente de VictronConnect.

Las actualizaciones de firmware no son obligatorias. Si decide no actualizar el firmware, podrá ver las lecturas del SmartShunt, pero no podrá cambiar los ajustes. Los ajustes solo pueden cambiarse si el SmartShunt dispone del último firmware.

7.5.4 Cambio del código PIN

Se puede cambiar el código PIN en la información de producto de la interfaz Bluetooth del SmartShunt.

7.5.5 Desactivación y reactivación del Bluetooth

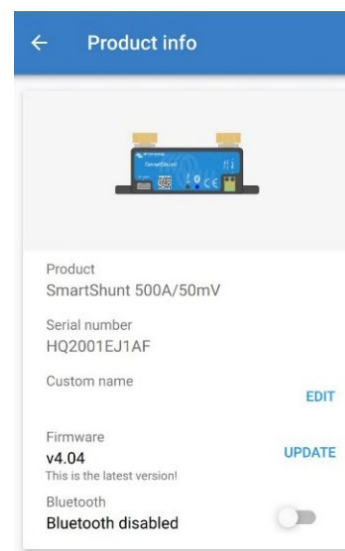
Por defecto, el SmartShunt tiene el Bluetooth activado. Si no lo necesita puede desactivarlo. Para ello deslice el interruptor de Bluetooth en la configuración del producto.

Puede que quiera desactivar el Bluetooth por motivos de seguridad o para evitar transmisiones no deseadas desde el SmartShunt.

Al desactivar el Bluetooth, solo podrá comunicarse con el SmartShunt a través del puerto VE.Direct.

Esto se hace a través de la interfaz USB a VE.Direct o mediante un dispositivo GX conectado al SmartShunt con un cable VE.Direct o con la interfaz USB a VE.Direct. Para más información, véase el capítulo 6: “Interfacing”.

Se puede volver a activar el Bluetooth conectándose al SmartShunt con VictronConnect mediante la interfaz VE.Direct – USB. Una vez conectado, puede ir al menú de ajustes del producto y reactivar el Bluetooth.




7.5.6 Número de serie


Puede encontrar el número de serie en la información del producto del SmartShunt o en la pegatina de información del producto del SmartShunt.

7.6 Guardar, cargar y compartir ajustes

En el menú de ajustes encontrará los tres símbolos siguientes:

 **Guardar ajustes en archivo** - se guardarán los ajustes como referencia o para usarlos más adelante.

 **Cargar ajustes desde archivo** – se cargarán ajustes guardados con anterioridad.

 **Compartir archivo de ajustes** – permite compartir los ajustes mediante correo electrónico, mensaje o AirDrop, entre otros. Las opciones disponibles dependen de la plataforma que se use.

Para más información sobre estas funciones, consulte el manual de VictronConnect:

<https://www.victronenergy.com/live/victronconnect:start>

7.7 Restablecer la historia

Esta opción está al final de la pestaña de historia. Tenga en cuenta que los datos históricos son una importante herramienta para controlar el rendimiento de la batería y también son necesarios para diagnosticar posibles problemas. No borre la historia a menos que sustituya la bancada de baterías.

7.8 Restablecimiento del código PIN

Este ajuste puede encontrarse en la configuración de la propia aplicación VictronConnect. Salga del SmartShunt pulsando en la flecha ←. Esto le devolverá a la lista de dispositivos de la aplicación VictronConnect. Ahora, pulse en el símbolo de menú ☰ próximo al nombre del SmartShunt.

Se abrirá una nueva ventana en la que podrá recuperar el código PIN predeterminado: 000000. Para restablecer el código PIN tendrá que introducir el código PUK exclusivo del SmartShunt. El código PUK aparece en la pegatina de información del producto del SmartShunt.

8 CAPACIDAD DE LA BATERÍA Y EXPONENTE DE PEUKERT

La capacidad de la batería se expresa en amperios hora (Ah) e indica la cantidad de corriente que una batería puede proporcionar a lo largo del tiempo. Por ejemplo, si una batería de 100 Ah se descarga con una corriente constante de 5 A, estará totalmente descargada en 20 horas.

La velocidad a la que se descarga la batería se expresa como la clasificación C. Esta clasificación indica cuántas horas durará una batería con una capacidad determinada. 1C es la tasa de 1 h y significa que la corriente de descarga descargará la batería por completo en 1 hora. Para una batería de 100 Ah de capacidad, esto equivale a una corriente de descarga de 100 A. Una velocidad 5C para esta misma batería equivaldría a 500 A durante 12 minutos (1/5 horas) y una velocidad C5 serían 20 A durante 5 horas.

La capacidad de la batería depende de la velocidad de descarga. Cuanto mayor sea la velocidad de descarga, menor será la capacidad. La relación entre descarga rápida o lenta puede calcularse con la ley de Peukert y se expresa mediante el exponente de Peukert. Algunas combinaciones químicas de baterías acusan más este fenómeno que otras. Las de ácido y plomo se ven más afectadas que las de litio. El SmartShunt toma en cuenta este fenómeno con el exponente de Peukert.

Ejemplo de velocidad de descarga

Una batería de ácido y plomo tiene una capacidad nominal de 100 Ah con C20, lo que significa que puede proporcionar una corriente total de 100 A durante 20 horas a una velocidad de 5 A por hora. $C20 = 100 \text{ Ah} (5 \times 20 = 100)$.

Si esa misma batería de 100 Ah se descarga completamente en un plazo de dos horas, su capacidad se verá significativamente reducida. Debido a la mayor velocidad de descarga, solo puede proporcionar $C2 = 56 \text{ Ah}$.

Fórmula de Peukert

El valor que puede ajustarse en la fórmula Peukert es el exponente n: véase la fórmula siguiente.

En el SmartShunt el exponente Peukert puede ajustarse desde 1.00 a 1.50. Cuanto mayor sea el exponente de Peukert, más rápidamente se "contraerá" la capacidad efectiva de la batería con una velocidad de descarga creciente. La batería ideal (teóricamente) tiene un exponente de Peukert de 1.00 y una capacidad fija, sin importar la magnitud de la corriente de descarga. El ajuste por defecto del exponente Peukert en el SmartShunt es 1.25. Este es un valor medio aceptable para la mayoría de las baterías de ácido y plomo.

A continuación se muestra la ecuación Peukert:

$$Cp = I^n \times t \text{ donde el exponente de Peukert n es: } n = \frac{\log t_2 - \log t_1}{\log I_1 - \log I_2}$$

Para calcular el exponente de Peukert se necesitan dos capacidades nominales de batería. Suelen ser las velocidades de descarga de 20 h y de 5 h, pero también puede ser 10 h y 5 h, o 20 h y 10 h. Lo ideal es usar una velocidad baja y una bastante más alta. La capacidad nominal de las baterías pueden encontrarse en su ficha técnica. Si tiene dudas, póngase en contacto con el proveedor de su batería.

Ejemplo de cálculo con la capacidad de 5 h y de 20 h

La clasificación C5 es de 75 Ah. t_1 es 5 h y se calcula I_1 : $I_1 = \frac{75 \text{ Ah}}{5 \text{ h}} = 25 \text{ A}$

La clasificación C20 es de 100 Ah. t_2 es 20 h y se calcula I_2 : $I_2 = \frac{100 \text{ Ah}}{20 \text{ h}} = 5 \text{ A}$

El exponente de Peukert es: $n = \frac{\log 20 - \log 5}{\log 15 - \log 5} = 1.26$

Hay una calculadora Peukert disponible en

<http://www.victronenergy.com/support-and-downloadssoftware/>

Tenga en cuenta que el exponente de Peukert tan solo ofrece unos resultados aproximados a la realidad, y que con corrientes muy altas, las baterías darán incluso menos capacidad que la calculada a partir de un exponente fijo. Recomendamos no cambiar el valor por defecto en el SmartShunt, excepto en el caso de las baterías de litio.

9 CONTROL DE LA TENSION DEL PUNTO MEDIO

Una celda o una batería en mal estado podría destruir una grande y cara bancada de baterías.

Un cortocircuito o una alta corriente de fuga interna en una celda, por ejemplo, tendrán como resultado la infracarga de esa celda y la sobrecarga de las demás. De manera similar, una batería en mal estado en una bancada de 24 ó 48 V de varias baterías de 12 V conectadas en serie puede destruir toda la bancada.

Además, cuando se conectan celdas o baterías nuevas en serie, todas deberán tener el mismo estado de carga inicial. Las pequeñas diferencias se neutralizarán durante la carga de absorción o de equalización, pero las grandes diferencias producirán daños durante la carga debido a un gaseado excesivo de las celdas o de las baterías que tengan el estado de carga inicial más elevado.

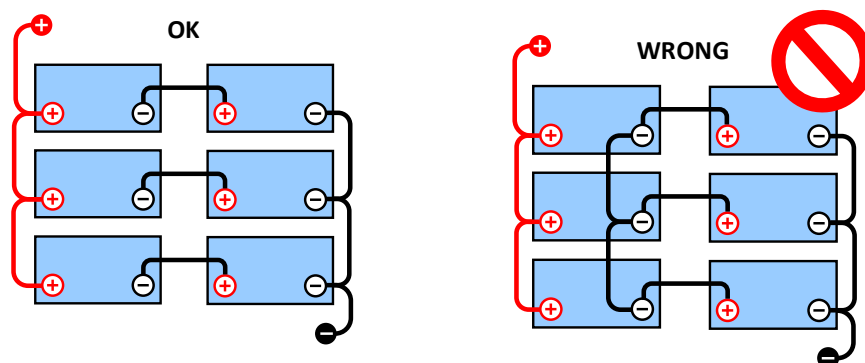
Se puede generar una alarma ad-hoc controlando el punto medio de la bancada de baterías (esto es, dividiendo la tensión de la cadena por dos y comparando las dos mitades).

La desviación del punto medio será pequeña cuando la bancada de baterías esté en reposo y aumentará:

- Al final de la fase de carga inicial durante la carga (la tensión de las celdas bien cargadas aumentará rápidamente, mientras que las celdas retrasadas necesitarán más carga).
- Cuando se descarga la bancada de baterías hasta que la tensión de las celdas más débiles empieza a disminuir rápidamente.
- Con velocidades de carga y descarga elevadas.

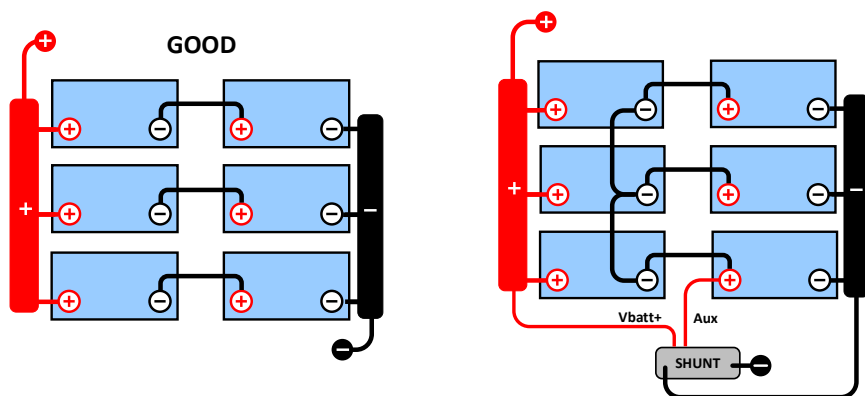
9.1 Diagrama de conexión de la bancada de baterías y el punto medio

9.1.1 Conexión y seguimiento del punto medio en una bancada de baterías de 24 V



Debido a la caída de tensión en los cables positivo y negativo, las tensiones del punto medio no son idénticas.

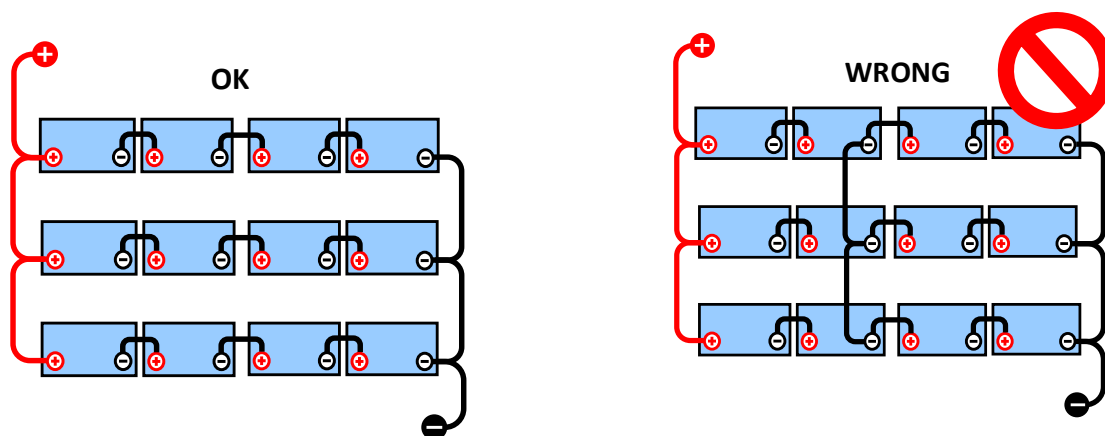
En una bancada de baterías sin control, los puntos medios no deberían estar interconectados, puesto que una bancada de baterías en malas condiciones podría pasar desapercibida y dañar a las demás baterías.



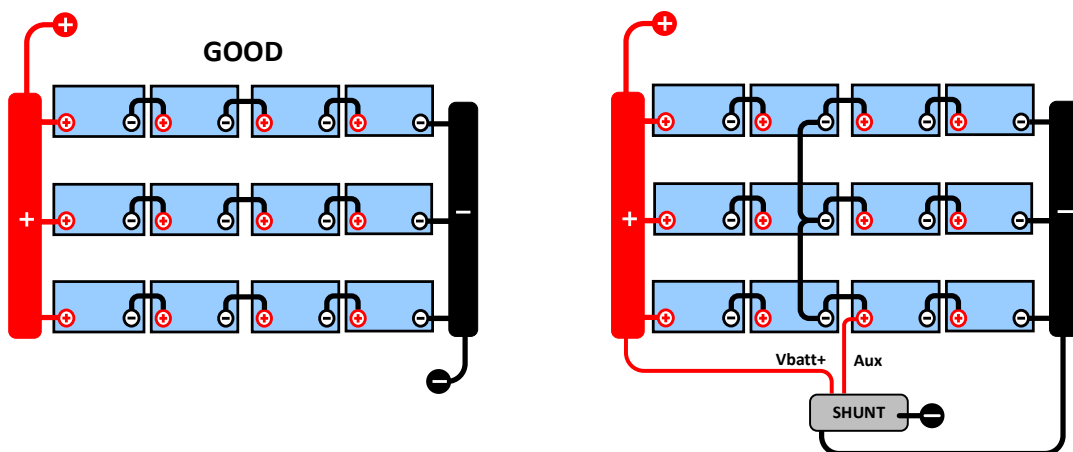
Use siempre barras de conexiones cuando haga un seguimiento de la tensión del punto medio. Todos los cables que vayan a las barras de conexiones deben tener la misma longitud.

Los puntos medios solo pueden conectarse si se toman medidas correctivas en caso de alarma.

9.1.2 Conexión y seguimiento del punto medio en una bancada de baterías de 48 V



Debido a la caída de tensión en los cables positivo y negativo, las tensiones del punto medio no son idénticas.



En una bancada de baterías sin control, los puntos medios no deberían estar interconectados, puesto que una bancada de baterías en malas condiciones podría pasar desapercibida y dañar a las demás baterías.

Use siempre barras de conexiones cuando haga un seguimiento de la tensión del punto medio. Todos los cables que vayan a las barras de conexiones deben tener la misma longitud.

Los puntos medios solo pueden conectarse si se toman medidas correctivas en caso de alarma.

9.2 Cálculo de la desviación del punto medio

El SmartShunt mide el punto medio y luego calcula la desviación como un porcentaje de lo que debería ser el punto medio.

$$Deviation = \frac{100 \times (topstringvoltage - bottomstringvoltage)}{batteryvoltage}$$

$$d = \frac{100 \times (Vt - Vb)}{V}$$

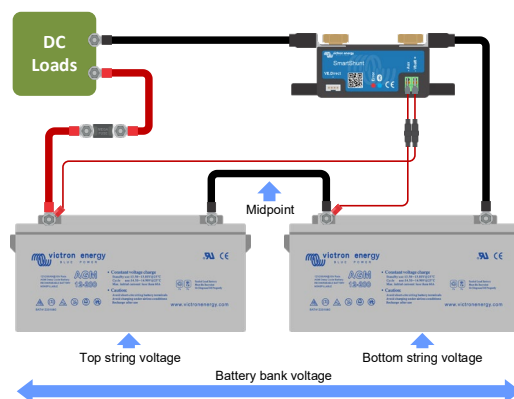
donde:

d es la desviación en %

Vt es la tensión de la cadena superior

Vb es la tensión de la cadena inferior

V es la tensión de la batería ($V = Vt + Vb$)



9.3 Definición del nivel de alarma

En el caso de baterías VRLA (gel o AGM), el gaseado debido a la sobrecarga secará el electrolito, incrementando la resistencia interna y ocasionando finalmente daños irreversibles. Las baterías VRLA de placas planas empiezan a perder agua cuando la tensión de carga se acerca a los 15 V (baterías de 12 V). Incluyendo un margen de seguridad, la desviación del punto medio debería por lo tanto permanecer por debajo del 2% durante la carga. Cuando, por ejemplo, se carga una bancada de baterías de 24 V con una tensión de absorción de 28,8 V, una desviación del punto medio del 2% tendría como resultado:

$$Vt = \frac{V \times d}{100} + Vb = \frac{V \times d}{100} + V - Vt = V \times \frac{1 + \frac{d}{100}}{2}$$

Por lo tanto:

$$Vt = V \times \frac{1 + \frac{d}{100}}{2} \wedge Vb = V \times \frac{1 - \frac{d}{100}}{2}$$

$$Vt = 28.8 \times \frac{1 + \frac{2}{100}}{2} \approx 14.7 \wedge Vb = 28.8 \times \frac{1 - \frac{2}{100}}{2} \approx 14.1$$

Obviamente, una desviación del punto medio superior al 2% tendría como resultado la sobrecarga de la batería superior y la infracarga de la batería inferior. Estas son dos buenas razones para fijar el nivel de alarma del punto medio como máximo en $d = 2\%$.

Este mismo porcentaje puede aplicarse a bancadas de baterías de 12 V con un punto medio de 6 V.

En el caso de una bancada de 48 V formada por baterías de 12 V conectadas en serie, el % de influencia de una batería sobre el punto medio se reduce a la mitad. Por lo tanto, el nivel de alarma del punto medio puede fijarse en un nivel más bajo.

9.4 Retardo de la alarma

Para evitar alarmas por desviaciones breves que no podrían dañar la batería, la desviación debe exceder el valor establecido durante 5 minutos antes de que salte la alarma. Una desviación que supere el valor establecido en un factor de dos o más hará saltar la alarma después de 10 segundos.

9.5 Qué hacer si salta una alarma durante la carga

Si se trata de una nueva bancada de baterías

La alarma suele deberse a diferencias en el estado de carga inicial de cada una de las baterías. Si la desviación supera el 3% debe detener la carga de la bancada de baterías y cargar cada batería o cada celda por separado. Otra opción es reducir de forma significativa la corriente de carga que va hacia la bancada de baterías para que las baterías puedan ecualizarse con el tiempo.

Si el problema persiste después de varios ciclos de carga-descarga, haga lo siguiente:

- En el caso de conexiones en serie-paralelo, desconecte el cableado de la conexión en paralelo del punto medio y mida las tensiones del punto medio individuales durante la carga de absorción para aislar las baterías o celdas que necesiten carga adicional.

- Cargue y después compruebe todas las baterías o celdas de forma individual.

En el caso de bancadas de baterías más antiguos que han funcionado bien en el pasado el problema puede deberse a una infracarga sistemática. En este caso se necesitan cargas más frecuentes o una carga de ecualización. Tenga en cuenta que solo las baterías de placa plana, ciclo profundo, inundadas o OPzS pueden ecualizarse. Aplicar una mejor carga y con más regularidad solucionará el problema.

En caso de que haya una o varias celdas defectuosas:

- En el caso de conexiones en serie-paralelo, desconecte el cableado de la conexión en paralelo del punto medio y mida las tensiones del punto medio individuales durante la carga de absorción para aislar las baterías o celdas que necesiten carga adicional.
- Cargue y después compruebe todas las baterías o celdas de forma individual.

9.6 Qué hacer si salta una alarma durante la descarga

Las baterías y celdas que componen una bancada de baterías no son idénticas, por lo que al descargar la bancada completamente, la tensión de algunas celdas empezará a menguar antes que la de otras. Por lo tanto, la alarma del punto medio casi siempre se disparará al final de una descarga profunda.

Si la alarma del punto medio se disparase mucho antes (y no lo hiciera durante la carga), algunas baterías o celdas podrían haber perdido capacidad o desarrollado una resistencia interna mayor que otras. Pudiera ser que la bancada de baterías haya alcanzado el final de su vida útil, o que una o más celdas o baterías hayan desarrollado un fallo:

- En el caso de conexiones en serie-paralelo, desconecte el cableado de la conexión en paralelo del punto medio y mida las tensiones del punto medio individuales durante la descarga, para aislar las baterías o celdas defectuosas.
- Cargue y después compruebe todas las baterías o celdas de forma individual.

9.7 Battery Balancer (equilibrador de baterías)

Se puede considerar la incorporación de un Battery Balancer al sistema. El Battery Balancer (equilibrador de baterías) ecualiza el estado de carga de dos baterías de 12 V conectadas en serie o de varias cadenas paralelas de baterías conectadas en serie.

En el caso de que la tensión de carga de un sistema de baterías de 24 V aumente por encima de los 27,3 V, el Battery Balancer se activará y comparará la tensión de las dos baterías conectadas en serie. El Battery Balancer extraerá una corriente de hasta 0,7 A de la batería (o baterías conectadas en paralelo) que tenga la tensión más alta. El diferencial resultante de corriente de carga garantizará que todas las baterías converjan en el mismo estado de carga. Si fuese necesario, se pueden poner varios equilibradores en paralelo.

Una bancada de baterías de 48 V puede equilibrarse con tres Battery Balancer, uno entre cada batería.

Para más información, consulte la ficha técnica del Battery Balancer en su correspondiente página de producto:

<https://www.victronenergy.com.au/batteries/battery-balancer>

10 RESOLUCIÓN DE PROBLEMAS

10.1 Problemas de funcionamiento

10.1.1 La unidad está apagada, sin luces encendidas

En la primera conexión, el LED azul del SmartShunt debería parpadear. De lo contrario, revise el fusible del cable Vbatt+, además del propio cable y sus terminales.

Tenga en cuenta que el LED azul del SmartShunt también puede estar apagado si se ha desactivado el Bluetooth. El SmartShunt parecerá apagado. Consulte en el apartado 10.2.1: "Cannot connect via Bluetooth" instrucciones para solucionar esto.

Si se usa el sensor de temperatura:

- El conector del cable M8 del sensor de temperatura debe estar conectado al polo positivo de la bancada de baterías (el cable rojo del sensor hace las veces de cable de alimentación).
- Revise el fusible del cable positivo (rojo).
- Compruebe que está usando el sensor de temperatura adecuado. El sensor de temperatura del MultiPlus no funciona con el SmartShunt.
- Compruebe que el sensor de temperatura está correctamente conectado. El cable rojo debe estar conectado al terminal Vbatt+ del SmartShunt y el cable negro al terminal Aux.

Consulte en el apartado 3.4.3: "Aux connection for temperature monitoring" instrucciones para la conexión y un diagrama de cableado.

10.1.2 El puerto auxiliar no funciona

Revise el fusible del cable Aux, además del propio cable y sus terminales.

Si se usa batería de arranque: compruebe que las dos bancadas de baterías tienen el mismo negativo. Consulte en el apartado 3.4.1: "Aux connection for monitoring the voltage of a second battery" instrucciones para la conexión y un diagrama de cableado.

Si se usa el sensor de temperatura:

- El conector del cable M8 del sensor de temperatura debe estar conectado al polo positivo de la bancada de baterías (el cable rojo del sensor hace las veces de cable de alimentación).
- Revise el fusible del cable positivo (rojo).
- Compruebe que está usando el sensor de temperatura adecuado. El sensor de temperatura del MultiPlus no funciona con el SmartShunt.
- Compruebe que el sensor de temperatura está correctamente conectado. El cable rojo debe estar conectado al terminal Vbatt+ del SmartShunt y el cable negro al terminal Aux.

Consulte en el apartado 3.4.3: "Aux connection for temperature monitoring" instrucciones para la conexión y un diagrama de cableado.

10.1.3 No se puede cambiar la configuración

Los ajustes solo pueden cambiarse si el SmartShunt dispone del último firmware. Instale la última versión de firmware con la aplicación VictronConnect.

10.2 Problemas de conexión

10.2.1 No puede conectarse mediante Bluetooth

Es muy poco probable que la interfaz Bluetooth del SmartShunt presente fallos. Antes de pedir asistencia, compruebe lo siguiente:

- ¿Está encendido el SmartShunt? La luz azul tendría que estar parpadear. Si la luz azul no parpadea, véase el apartado 10.1.1: "Unit is dead, no lights on".

- ¿Hay otro teléfono o tableta conectado al SmartShunt? Esto lo indica una luz azul que permanece encendida. Solo puede haber un teléfono o tableta conectado al SmartShunt en cada momento. Compruebe que no hay otros dispositivos conectados e inténtelo de nuevo.
- ¿Está actualizada la aplicación VictronConnect?
- ¿Está usted lo suficientemente cerca del SmartShunt? En un espacio abierto la distancia máxima es de unos 20 metros.
- ¿Está usando la versión de Windows de la aplicación VictronConnect? Esta versión no admite Bluetooth. Use Android, iOS o MacOS en su lugar (o utilice la interfaz USB - VE.Direct).
- ¿Se ha apagado el Bluetooth en los ajustes? Consulte en el apartado 7.5.5: “Disabling and re-enabling Bluetooth”.

Para problemas de conexión, véase la sección de resolución de problemas del manual VictronConnect.
<https://www.victronenergy.com/live/victronconnect:start>

10.2.2 Código PIN perdido

Si ha perdido el código PIN tendrá que restablecer el código PIN predeterminado. Véase el apartado 7.5.4: “Changing PIN code”.

Puede encontrar más información e instrucciones específicas en el manual de VictronConnect:
<https://www.victronenergy.com/live/victronconnect:start>

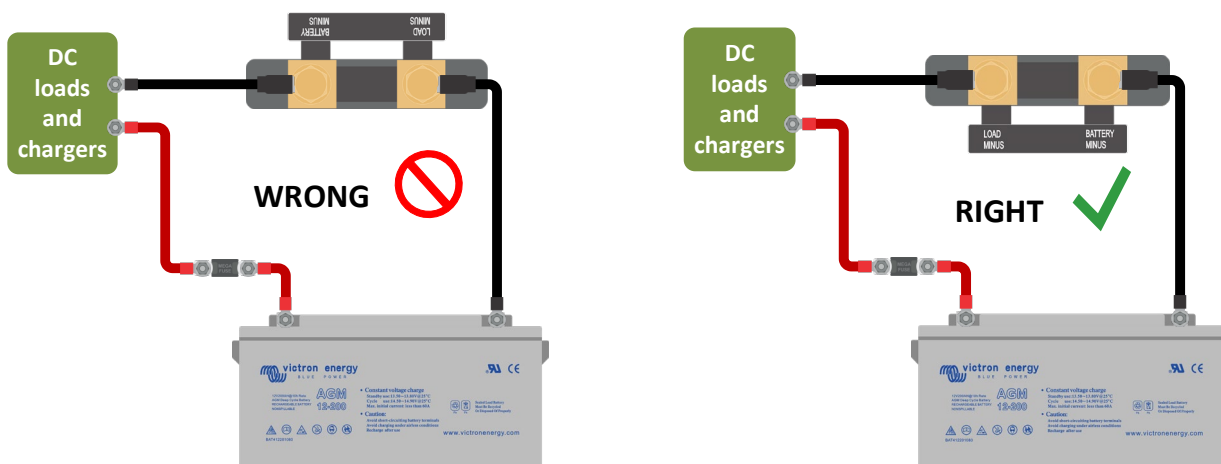
10.3 Lecturas incorrectas

10.3.1 Las corrientes de carga y descarga están invertidas

La corriente de carga debería mostrar un valor positivo. Por ejemplo: 1.45 A.

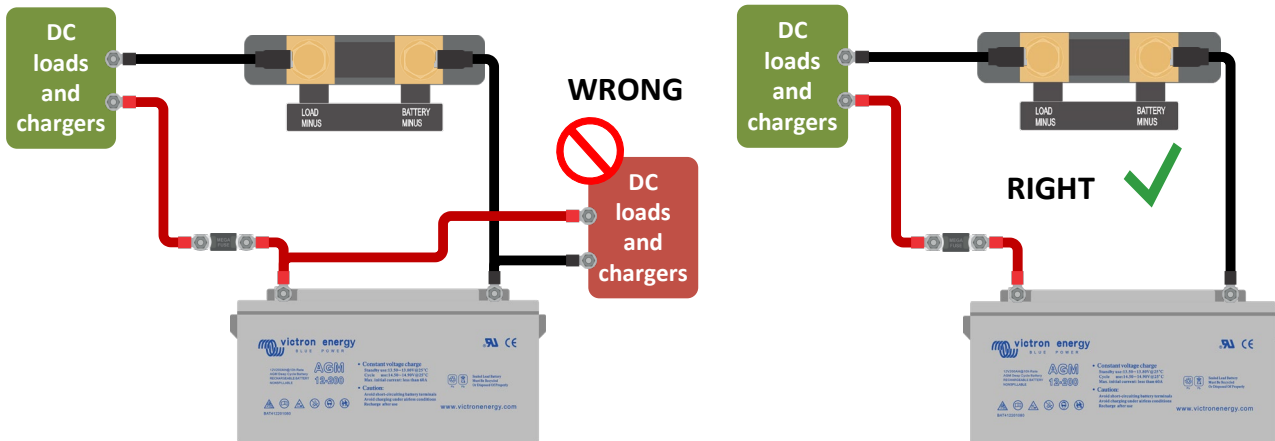
La corriente de descarga debería mostrar un valor negativo. Por ejemplo: -1.45 A.

Si las corrientes de carga y descarga están invertidas, será necesario intercambiar los cables de alimentación negativos del SmartShunt. Consulte en el apartado 3.3: “Basic electrical connections”.



10.3.2 Lectura de corriente incompleta

Los negativos de todas las cargas y de todas las fuentes de carga del sistema tienen que conectarse a la parte del negativo de la carga del SmartShunt. Si los negativos de las cargas y de las fuentes de carga están directamente conectados al terminal negativo de la batería, las corrientes de estas cargas o fuentes de carga no fluirán a través del SmartShunt y quedarán excluidas de la lectura de corriente y por lo tanto también de la lectura del estado de carga. El SmartShunt mostrará un estado de carga superior al estado de carga real de la batería.



10.3.3 Hay lectura de corriente aunque no pase corriente

Realice una calibración de corriente cero con todas las cargas apagadas (apartado 7.1.13) o fije el umbral de corriente (apartado 7.1.8).

10.3.4 Lectura incorrecta del estado de carga

Estado de carga incorrecto debido a un problema de sincronización

El estado de carga es un valor calculado que debe restablecerse (sincronizarse) de vez en cuando. Los siguientes parámetros afectarán al cálculo del estado de carga si no se han configurado correctamente:

- Capacidad de la batería
- Tensión cargada y corriente de cola
- Exponente de Peukert y factor de eficiencia de carga
- Estado de carga y ajustes de sincronización

Para más información sobre estos parámetros, véase el apartado 7.1: “Battery settings”.

Véase también el siguiente apartado **¡Error! No se encuentra el origen de la referencia.:** “**¡Error! No se encuentra el origen de la referencia.**”.

Estado de carga incorrecto debido a una lectura de corriente incorrecta

El estado de carga se calcula a partir de la cantidad de corriente que entra y sale de la batería. Si la lectura de corriente no es correcta, el estado de carga tampoco lo será. Consulte en el apartado **¡Error! No se encuentra el origen de la referencia.:** “**¡Error! No se encuentra el origen de la referencia.**”.

10.3.5 El estado de carga muestra tres guiones “---”

Esto significa que el SmartShunt no está sincronizado. Esto suele ocurrir cuando el SmartShunt se acaba de instalar o si se ha dejado sin alimentación y se vuelve a encender. Cargue las baterías y el SmartShunt se debería sincronizar automáticamente. Si esto no funcionase, revise los ajustes de sincronización. Véase el apartado 5.3: “Synchronising the SmartShunt”.

Si sabe que la batería está completamente cargada pero no quiere esperar a que el SmartShunt se sincronice, pulse el botón de Sincronizar el estado de carga al 100%. Véase el apartado 7.1.12: “Synchronise SoC to 100%”.

10.3.6 El estado de carga no llega al 100%

El SmartShunt se sincronizará y fijará el estado de carga en el 100% en cuanto la batería se haya cargado por completo. Cargue la batería completamente y compruebe si el SmartShunt lo detecta correctamente. Si el SmartShunt no detecta que la batería se ha cargado por completo tendrá que revisar o ajustar la tensión cargada, la corriente de cola y los ajustes de tiempo de detección de batería cargada. Para más información, véase el apartado 5.3.1: "Automatic synchronisation".

El estado de carga no aumenta lo suficientemente rápido durante la carga

Compruebe si la capacidad de la batería se ha fijado correctamente. Consulte en el apartado 7.1.1: "Battery capacity".

El estado de carga siempre aparece como el 100%

Esto podría deberse a que los cables negativos del SmartShunt se hayan conectado al revés. Véase el apartado **¡Error! No se encuentra el origen de la referencia.: "¡Error! No se encuentra el origen de la referencia."**

10.3.7 Lectura incorrecta de tensión

Tensión de la batería principal demasiado baja

Problema con el cable Vbatt+, es posible que el fusible, el propio cable o los terminales estén defectuosos o tengan conexiones sueltas.

Conexión incorrecta: el cable Vbatt+ no se ha conectado al positivo de la bancada de baterías, ni a medio camino de la bancada de baterías.

Si se usa sensor de temperatura, asegúrese de que está conectado al terminal positivo de la bancada de baterías, y no a medio camino de la bancada de baterías.

Tensión de la batería de arranque demasiado baja

Problema con el cable Aux, es posible que el fusible, el propio cable o los terminales estén defectuosos o tengan conexiones sueltas.

No aparece la tensión de la batería de arranque.

Asegúrese de que las dos baterías comparten un negativo común. Puede consultar instrucciones para conectar correctamente la batería de arranque en el apartado 3.4.1: "Aux connection for monitoring the voltage of a second battery".

10.3.8 Problemas de sincronización

El SmartShunt no se sincroniza automáticamente

Una posibilidad es que la batería nunca alcance el estado de carga completa. Cargue la batería por completo y observe si eventualmente el estado de carga indica el 100%.

La otra posibilidad es que sea necesario reducir el ajuste de tensión cargada y/o incrementar el ajuste de la corriente de cola. Consulte en el apartado 5.3: "Synchronising the SmartShunt".

El SmartShunt se sincroniza antes de tiempo.

Esto puede suceder en sistemas solares u otras aplicaciones con corrientes de carga fluctuantes. Tome las siguientes medidas para reducir la probabilidad de que el SmartShunt fije el estado de carga en el 100% antes de tiempo.

- Incremente la tensión "cargada" hasta justo por debajo de la tensión de carga de absorción. Por ejemplo: 14,2 V en caso de que la tensión de absorción sea 14,4 (para una batería de 12 V).
- Incremente el "tiempo de detección de batería cargada" y/o disminuya la corriente de cola para evitar un reinicio prematuro debido a la presencia de nubes pasajeras.
- Consulte en el apartado 5.3: "Synchronising the SmartShunt".

Si el estado de carga muestra tres guiones --- :

Esto significa que el SmartShunt no está sincronizado. Esto suele ocurrir cuando el SmartShunt se acaba de instalar o si se ha dejado sin alimentación y se vuelve a encender. Cargue las baterías y el SmartShunt debería sincronizar automáticamente. Si esto no funcionase, revise los ajustes de sincronización. Véase el apartado 5.3: "Synchronising the SmartShunt".

Si sabe que la batería está completamente cargada pero no quiere esperar a que el SmartShunt se sincronice, pulse el botón de Sincronizar el estado de carga al 100%. Véase el apartado 7.1.12: "Synchronise SoC to 100%".

11 INFORMACIÓN TÉCNICA

SmartShunt	500 A / 1000 A / 2000 A
Tensión de alimentación	6.5 – 70 V CC
Consumo de corriente	< 1mA
Rango de tensión de entrada, batería auxiliar	6.5 – 70 V CC
Capacidad de la batería (Ah)	1 - 9999 Ah
Rango de temperaturas de trabajo	-40 +50°C (-40 - 120°F)
Mide la tensión de una segunda batería, la temperatura* o el punto medio	Sí
Rango de medición de la temperatura*	-20 +50°C
Puerto de comunicación VE.Direct	Sí
RESOLUCIÓN Y PRECISIÓN	
Corriente	± 0.1A
Tensión	± 0.01 V
Amperios hora	± 0.1 Ah
Estado de carga (0 – 100%)	± 0.1%
Tiempo restante	± 1 min
Temperatura (0 - 50°C ó 30 - 120°F)	± 1°C/°F
Precisión de la medición de la corriente	± 0.4%
Compensación	Inferior a 10 / 20 / 40 mA
Precisión de la medición de la tensión	± 0.3%
INSTALACIÓN Y DIMENSIONES	
Dimensiones (al x an x p)	500 A: 46 x 120 x 54 mm 1000 A: 68 x 120 x 54 mm 2000 A: 68 x 120 x 76 mm
Grado de protección	IP21
NORMAS	
Seguridad	EN 60335-1
Emisiones/Normativas	EN-IEC 61000-6-1 EN-IEC 61000-6-2 EN-IEC 61000-6-3
Automoción	EN 50498
Cables (incluidos)	2 cables con fusible para conexión “+” y conexión Aux
Sensor de temperatura	Opcional (ASS000100000)

* Solo si se conecta el sensor de temperatura opcional, el sensor de temperatura no está incluido

Innehåll

1	Säkerhetsanvisningar	4
1.1	Säkerhetsvarningar för batterier	4
1.2	Transport och förvaring	4
2	Introduktion	5
2.1	SmartShunt	5
2.2	Varför bör jag övervaka mitt batteri?	5
2.3	Storlek	5
2.4	VictronConnect	5
2.5	Tillbehör	5
3	Installation	6
3.1	Förpackningen innehåller	6
3.2	Montering	6
3.3	Grundläggande elektriska kopplingar	6
3.3.1	Koppling av batteriets minus	6
3.3.2	Koppling av belastningens minus	6
3.3.3	Vbatt+ koppling	6
3.4	Extra elektriska kopplingar	7
3.4.1	Aux-koppling för övervakning av spänningen från ytterligare ett batteri	7
3.4.2	Aux-koppling för övervakning av en batteribanks mittzon	7
3.4.3	Aux-koppling för temperaturövervakning	8
3.5	Koppling av GX-enhet	8
4	Igångsättning	9
4.1	Nedladdning och installation av VictronConnect	9
4.2	Placera säkringen	9
4.3	Anslut till SmartShunt	9
4.4	Uppdatering av fast programvara	9
4.5	Att göra nödvändiga inställningar	9
4.5.1	Inställning av batterikapacitet	10
4.5.2	Inställning av laddad spänning	10
4.5.3	Inställningar för laddningsstatus	10
4.5.4	Inställning av funktionen extraingång	10
4.6	Inställningar för litiumbatterier (om nödvändigt)	11
5	Drift	12
5.1	Hur fungerar SmartShunt?	12
5.2	Översikt av avläsning	12
5.3	Synkronisering av SmartShunt	13
5.3.1	Automatisk synkronisering	13
5.3.2	Manuell synkronisering	13
5.4	Larm	14

5.5	Historisk data.....	14
5.6	Trender.....	15
5.7	LED-statuskoder.....	15
6	Gränssnitt	16
6.1	VictronConnect via USB.....	16
6.2	Anslutning till en GX-enhet och VRM	16
6.3	Anslutning till VE.Smart Network.....	17
6.4	Anpassad integrering (programmering krävs).....	17
7	Alla funktioner och inställningar.....	18
7.1	Batteriinställningar	18
7.1.1	Batterikapacitet	18
7.1.2	Laddad spänning.....	18
7.1.3	Urladdningsgolv (gräns)	18
7.1.4	Svansström.....	18
7.1.5	Laddnings-avkänningstid.....	19
7.1.6	Peukert-exponent.....	19
7.1.7	Faktor för laddningsverkningsgrad.....	19
7.1.8	Strömtröskel.....	19
7.1.9	Medelvärdesperiod återstående tid.....	19
7.1.10	Synkroniserad batteristart.....	20
7.1.11	Laddningsstatus	20
7.1.12	Synkronisera laddningsstatus (SoC) till 100 %.....	20
7.1.13	Nollströmskalibrering.....	20
7.2	Larminställningar	20
7.2.1	SoC larminställning	21
7.2.2	Larm för låg spänning.....	21
7.2.3	Larm för hög spänning	21
7.2.4	Larm för låg startbatterispänning	21
7.2.5	Larm för hög startbatterispänning.....	22
7.2.6	Larm för mittzonsavvikelse	22
7.2.7	Larm för hög temperatur.....	22
7.2.8	Larm för låg temperatur	22
7.3	Blandade inställningar.....	23
7.3.1	Extraingång.....	23
7.3.2	Temperaturkoefficient.....	23
7.4	Inställning av temperaturenhet	23
7.5	Produktinställningar	23
7.5.1	Återställning till fabriksinställningar	23
7.5.2	Anpassat namn	23
7.5.3	Fast programvara.....	24
7.5.4	Ändra pinkod.....	24

7.5.5	Avaktivera och återaktivera Bluetooth.....	24
7.5.6	Serienummer	24
7.6	Spara, ladda upp och dela inställningar.....	24
7.7	Återställningshistorik.....	25
7.8	Återställa pinkod	25
8	Batterikapacitet och Peukert-exponent	26
9	Spänningsövervakning AV mittzon.....	27
9.1	Batteribank och mittzonskopplingsshema.....	27
9.1.1	Koppling och övervakning av mittzon i en 24 V-batteribank.....	27
9.1.2	Koppling och övervakning av mittzon i en 48 V-batteribank.....	28
9.2	Beräkning av mittzonsavvikelse	28
9.3	Inställning av larmnivå	29
9.4	Larmfördröjning	29
9.5	Vad ska man göra om ett larm inträffar under laddning?.....	29
9.6	Vad gör man om larm inträffar under urladdning?.....	30
9.7	Battery Balancer	30
10	Felsökning	31
10.1	Funktionsfel	31
10.1.1	Enheten är död, inga lampor tänds.....	31
10.1.2	Extraingången Aux fungerar inte	31
10.1.3	Kan inte ändra inställningar	31
10.2	Anslutningsproblem.....	31
10.2.1	Kan inte ansluta via Bluetooth	31
10.2.2	Förlorad pinkod	32
10.3	Felaktiga avläsningar	32
10.3.1	Laddnings- och urladdningsströmmarna är omkastade.....	32
10.3.2	Ofullständig strömavläsning.....	33
10.3.3	Det finns en strömavläsning men ingen ström flyter.....	33
10.3.4	Felaktig avläsning av laddningsstatus.....	33
10.3.5	Laddningsstatus indikerar tre streck "--".....	33
10.3.6	Laddningsstatusen uppnår inte 100 %.....	33
10.3.7	Felaktig spänningsavläsning.....	34
10.3.8	Synkroniseringsproblem	34
11	Tekniska data.....	35

1 SÄKERHETSANVISNINGAR

1.1 Säkerhetsvarningar för batterier



Att arbeta i närheten av blybatterier är farligt. Batterierna kan avge explosiva gaser då de används. Rök aldrig eller tillåt gnistor eller öppen låga i närheten av ett batteri. Se till att det finns tillräckligt god ventilation runt batteriet.



Använd ögonskydd och skyddskläder. Undvik att vidröra ögonen när du arbetar nära batterier. Tvätta händerna när du är färdig.



Om batterisyra kommer i kontakt med hud eller kläder, tvätta omedelbart med tvål och vatten. Om du får syra i ögonen, skölj omedelbart ögat med rinnande kallt vatten under minst 15 minuter och sök läkarhjälp omedelbart.



Var försiktig när du använder metallverktyg i närheten av batterier. Att tappa ett metallverktyg på ett batteri kan orsaka en kortslutning och det finns risk för en explosion.



Avlägsna personliga metallföremål som ringar, armband, halsband och armbandsur när du arbetar med ett batteri. Ett batteri kan alstra kortslutningsström som är tillräckligt hög för att smälta föremål som ringar, vilket kan orsaka allvarliga brännskador.

1.2 Transport och förvaring

Förvara SmartShunt på en torr plats.

Förvaringstemperaturen ska vara: -40 °C till +60 °C

2 INTRODUKTION

2.1 SmartShunt

SmartShunt är en batteriövervakare. Den mäter batterispänning och ström. Baserat på dessa mätningar beräknar den laddningsstatus, återstående tid och håller koll på historisk data, som lägsta urladdning, genomsnittlig urladdning och antal cykler.

SmartShunt ansluts till [appen VictronConnect](#) via Bluetooth. Appen VictronConnect används för att läsa ut alla övervakade batteriparametrar och används även för att ändra inställningar. SmartShunt kan alternativt kopplas till en [GX-enhet](#) som ColorControl GX eller Cerbo GX.

SmartShunt har en extra ingång som kan användas för att övervaka spänningen på ett andra batteri eller för att övervaka en batteribanks mittzon. Extraingången kan även användas för övervakning av batteritemperatur tillsammans med den valfria [temperatursensorn för BMV](#).

2.2 Varför bör jag övervaka mitt batteri?

Batterier har en mängd olika användningsområden, i huvudsak att lagra energi för senare bruk. Men mycket energi är lagrat i batteriet? Det går inte att avgöra detta genom att bara titta på batteriet. Livslängden för batterier är beroende av många faktorer. Batteriets livslängd kan förkortas genom underladdning, överladdning, överdrivet djupa urladdningar, överdriven laddnings eller urladdningsström och hög omgivningstemperatur. Övervakning av batteriet med en avancerad batteriövervakare ger viktig information till användaren så att korrigeringsåtgärder kan vidtas vid behov. Detta förlänger batteriets livslängd och SmartShunt betalar snabbt för sig själv.

2.3 Storlek

Smartshunt finns tillgänglig i tre storlekar: 500 A, 1000 A och 2000 A.

2.4 VictronConnect

VictronConnect är en gratisapp och finns tillgänglig för Android, iOS, MacOS eller Windows.

Den kan laddas ner från respektive app-butiker eller vår nedladdningssida. VictronConnect krävs för att ställa in och läsa av SmartShunt.

2.5 Tillbehör

Beroende på din uppsättning kan följande delar behövas:

- Temperatursensor för BMV
- VE.Direct till USB-gränssnitt
- GX-enhet
- VE.Direct-kabel

3 INSTALLATION

3.1 Förpackningen innehåller

I förpackningen hittar du följande delar:

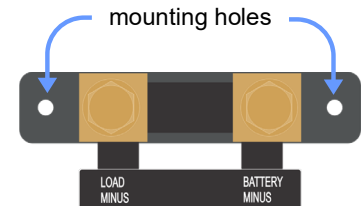
- SmartShunt 500 A, 1000 A eller 2000 A.
- Två röda kablar, både med säkring.



3.2 Montering

SmartShunt har två hål på 5.5 mm för montering och de är belägna på botten av enheten. Hålen kan användas för att skruva eller bulta fast SmartShunt på en hård yta (skruvar ingår ej).

SmartShunt är klassad som IP21. Det innebär att SmartShunt inte är vattentätlig och ska monteras på en torr plats.



3.3 Grundläggande elektriska kopplingar

SmartShunt har tre nödvändiga kopplingar och en valfri. Det här avsnittet beskriver hur dessa kopplingar ska göras.

3.3.1 Koppling av batteriets minus

Koppla batteriets negativa pol till M10-bulten till sidan för "BATTERY MINUS" på SmartShunt.

3.3.2 Koppling av belastningens minus

Koppla elsystemets negativa pol till M10-bulten på sidan för "LOAD MINUS" på SmartShunt. Säkerställ att den negativa polen på alla DC-belastningar och laddningskällor kopplas "efter" SmartShunt.

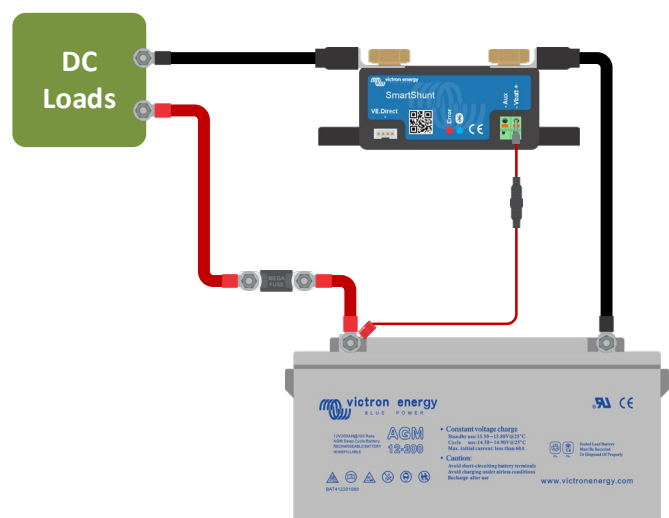
3.3.3 Vbatt+ koppling

Koppla M8-terminalen på den röda kabeln med säkring till batteriets positiva pol.

Koppla stifthylsan på den röda kabeln med säkring till SmartShunt genom att trycka in stiftet i "Vbatt+"-terminalen.

Så fort säkringen är placerad i kabeln kommer SmartShunt Bluetooth att börja blinka. SmartShunt är nu aktiv. Nästa steg är att ställa in med appen VictronConnect. Detta förklaras i avsnitt 4: "Commissioning".

Om extraingången ska användas för att övervaka ett andra batteri, mittzon eller temperatur, läs en av de tre paragraferna om hur du ska göra detta och gå sedan till avsnitt 4: "Igångsättning".



3.4 Extra elektriska kopplingar

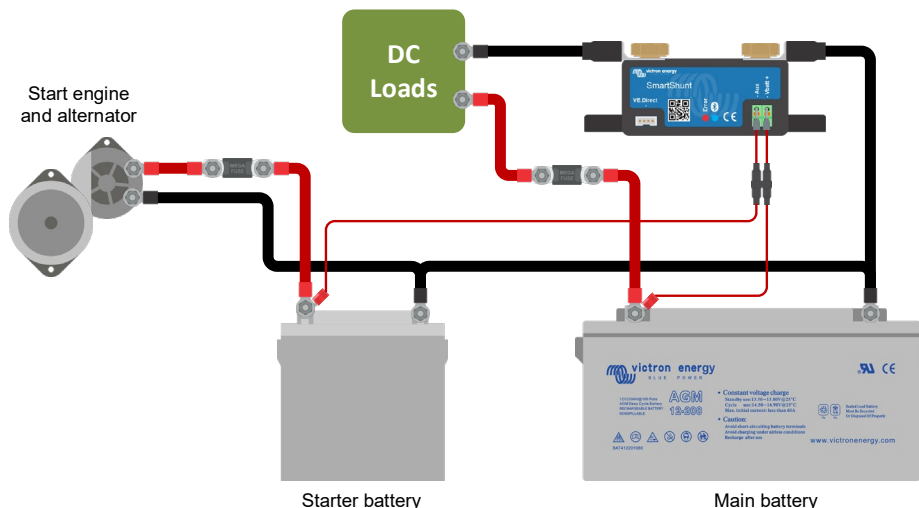
Utöver den omfattande övervakningen av den huvudsakliga batteribanken kan SmartShunt även övervaka en andra parameter. Det kan vara spänningen från ytterligare ett batteri (startbatteri), en batteribanks mittzonsavvikelse eller batteritemperaturen. För att möjliggöra detta är SmartShunt utrustad med en andra övervakningsingång, extraingången Aux. Det här avsnittet beskriver hur du ska koppla Aux-ingången för de tre möjliga konfigureringsalternativen.

3.4.1 Aux-koppling för övervakning av spänningen från ytterligare ett batteri

Extraingången Aux kan användas för att övervaka spänningen från ett andra batteri, som t.ex. ett startbatteri.

Så här gör du:

- Koppla M8-terminalen på den röda kabeln med säkring till det andra batteriets positiva pol.
- Koppla stifthylsan på den röda kabeln med säkring till SmartShunt genom att trycka in stiftet i "Aux"-terminalen.
- Säkerställ att huvudbatteriets och det andra batteriets negativa poler är gemensamma.

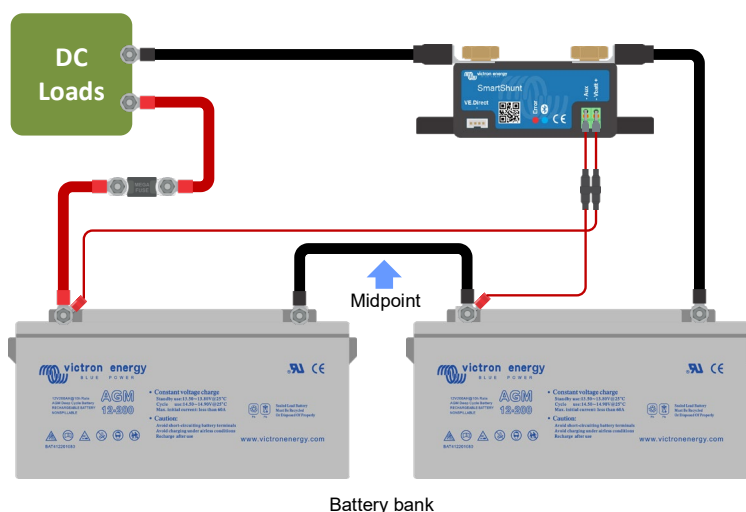


3.4.2 Aux-koppling för övervakning av en batteribanks mittzon

Extraingången Aux kan användas för att övervaka mittzonspänningen i en batteribank som består av flera batterier som är seriekopplade för att skapa en batteribank på 24 eller 48 V.

Så här gör du:

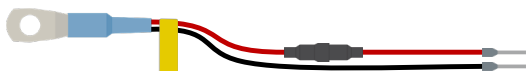
- Koppla M8-terminalen på den röda kabeln med säkring till mittzonens positiva pol.
- Koppla stifthylsan på den röda kabeln med säkring till SmartShunt genom att trycka in stiftet i "Aux"-terminalen.



För mer information om mittzonsövervakning, se avsnitt 9. I det här avsnittet finns även information och kopplingschema för hur man kan övervaka mittzonen på batteribanker som har serie- eller parallellkopplats.

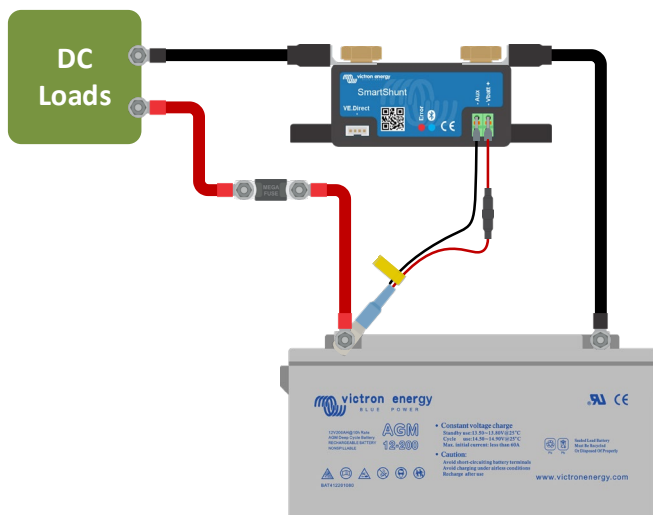
3.4.3 Aux-koppling för temperaturövervakning

Extraingången Aux kan användas för att övervaka batteriets temperatur. För att kunna övervaka temperaturen måste du köpa: "Temperatursensor för BMV". Det är en kabel med en integrerad temperatursensor med delnummer ASS00100000. Tänk på att den här temperatursensorn är en annan temperatursensor än de som användas med Victrons växelriktare/laddare och batteriladdare.



Så här gör du:

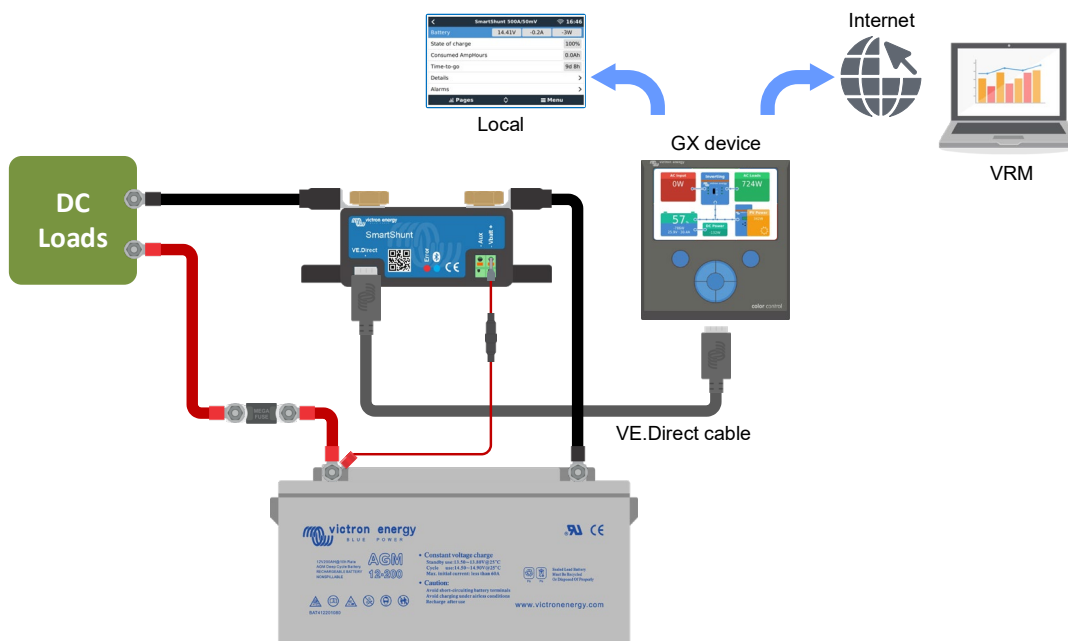
- Koppla temperatursensorns M8-kabelöga till batteriets positiva pol.
- Koppla stifthylsan på den röda kabeln (med säkring) till SmartShunt genom att trycka in stiftet i "Vbatt+"-terminalen.
- Koppla stifthylsan på den svarta kabeln till SmartShunt genom att trycka in stiftet i Aux-terminalen.



Observera att de röda strömkablarna som följer med SmartShunt inte behövs om du använder temperatursensorn. Temperatursensorn ersätter dessa kablar.

3.5 Koppling av GX-enhet

Om systemet innehåller en GX-enhet kan SmartShunt kopplas till en GX-enhet med en VE.Direct-kabel, delnummer ASS03053xxxx. När den är ansluten kan GX-enheten användas för att läsa av alla övervakade batteriparametrar. För mer information se avsnitt 6.2: "Connecting to a GX device and VRM".



4 IGÅNGSÄTTNING

När de elektriska kopplingar har gjorts måste SmartShunt ställas in. Detta görs med appen VictronConnect. Den här appen krävs för att ställa in och läsa av SmartShunt.

4.1 Nedladdning och installation av VictronConnect

För att kunna kommunicera med, och installera SmartShunt måste du använda appen VictronConnect. VictronConnect är en gratisapp och finns tillgänglig för Android, iOS, MacOS eller Windows. Den kan laddas ner från respektive app-butiker. Eller alternativt från avsnittet "nedladdningar" på vår hemsida: <https://www.victronenergy.com/support-and-downloads/software>.

4.2 Placera säkringen

Om det inte redan är gjort, placera säkringen i Vbatt+-kabeln. Den blå Bluetooth-lampan ska börja blinka.

4.3 Anslut till SmartShunt

Anslut till SmartShunt via VictronConnect. Det görs via Bluetooth. Det är även möjligt att ansluta till SmartShunt via USB eller via VRM (Victron Remote Monitoring). För mer information om detta se avsnitt 6: "Interfacing".

Så här ansluter du:

- Öppna appen VictronConnect.
- SmartShunt bör dyka upp på enhetslistan.
- Klicka på SmartShunt.
- Ange standardpinkoden som är 000000.
- När den är korrekt ansluten förblir Bluetooth-lampan tänd.

När du har angett standardpinkoden kommer VictronConnect att be dig ändra pinkoden. Det är för att undvika oönskade anslutningar i framtiden. Vi rekommenderar att du ändrar pinkoden vid första installationen. Du kan göra det i produktens infoflik, se avsnitt 7.5.4: "Changing PIN code".

Se handboken för VictronConnect för mer information: <https://www.victronenergy.com/live/victronconnect:start>.


4.4 Uppdatering av fast programvara

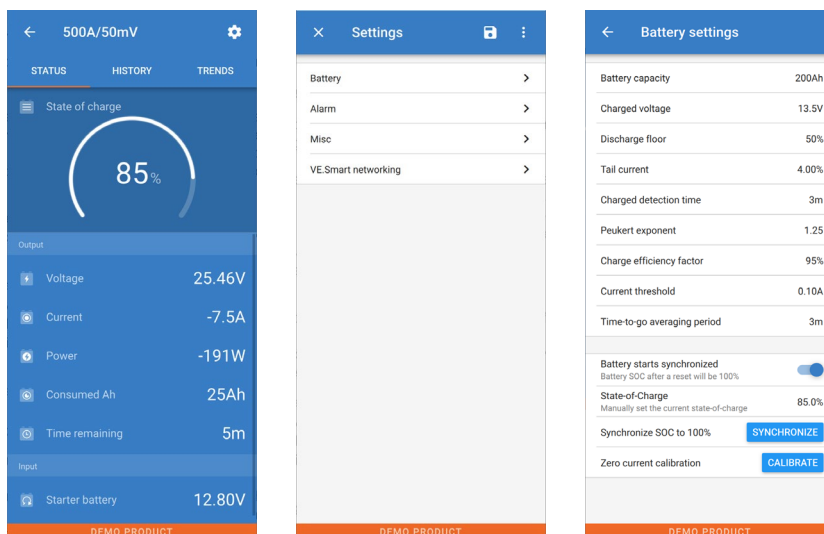
Vid den första anslutningen ber VictronConnect dig att uppdatera den fasta programvaran för Bluetooth-gränssnittet och/eller SmartShunt. Detta ska alltid göras i samband med den första installationen. Utan en uppdaterad fast programvara kan inte inställningar ändras och endast funktionen för övervakning är aktiv.

4.5 Att göra nödvändiga inställningar

SmartShunts fabriksinställningar är skräddarsydda för blybatterier (vätskefyllda, GEL- eller AGM-batterier)

Observera att när det gäller litiumbatterier eller batterier med andra kemiska egenskaper måste flera ytterligare inställningar ändras. Ställ först in de nödvändiga inställningarna som beskrivet i stycket ovan och läs sedan nästa stycke för de särskilda inställningarna för litiumbatterier. Alternativt kan du kontakta din batteriåterförsäljare och hänvisa till avsnitt 7.1: "Battery settings".

För att göra inställningar måste du gå till inställningsmenyn genom att klicka på inställningsknappen  som finns uppe i det högra hörnet på VictronConnect.



De flesta fabriksinställningarna kan behållas. Det finns dock några inställningar som måste ändras. Dessa är:

- Batterikapacitet
- Laddningsspänning.
- Laddningsstatus eller synkroniserad start.
- Extraingångens funktionalitet (om den används).

Om du vill läsa mer om vad alla de andra inställningarna betyder, se avsnitt 7.1: "Battery settings".

4.5.1 Inställning av batterikapacitet

Den här inställningen hittar du i VictronConnect > Inställningar > Batteri. SmartShunt är som standard inställd på 200 Ah. Ändra det här värdet så att det passar din batterikapacitet. För mer information om batterikapacitet, se avsnitt 7.1.1: "Battery capacity".

4.5.2 Inställning av laddad spänning

Den här inställningen hittar du i VictronConnect > Inställningar > Batteri. SmartShunt är som standard inställd på 0.0 V. SmartShunt kan inte automatiskt detektera systemspänningen som BMV gör. Du måste ställa in "Laddad spänning"

Dessa är de rekommenderade värdena för "Laddad spänning":

Nominal batterispänning	Rekommenderad laddad spänning
12 V	13.2V
24 V	26.4 V
36 V	39.6 V
48 V	52.8 V

För mer information om inställning av laddad spänning, se avsnitt 7.1.2: "Charged voltage".

4.5.3 Inställningar för laddningsstatus

Den här inställningen hittar du i VictronConnect > Inställningar > Batteri. Vid den första igångsättningen kommer SmartShunt som standard att visa 100 % laddning. Om du vill ändra detta till ett annat värde kan du manuellt ställa in värdet för laddningsstatus. För mer information, se avsnitt 7.1.10: "Battery starts synchronised" och avsnitt 7.1.11: "State of charge".

4.5.4 Inställning av funktionen extraingång

Den här inställningen hittar du i VictronConnect > Inställningar > Blandat.

Den här inställningen ställer in funktionen för extraingången, antingen:

- Startbatteri - Spänningsövervakning av ett andra batteri.
- Mittzon - Mätning av en batteribanks mittzon
- Temperatur - Mätning av batteritemperaturen via den valfria temperatursensorn.

4.6 Inställningar för litiumbatterier (om nödvändigt)

LiFePO₄ (Litiumjärnfosfat eller LFP) är den mest vanliga sammansättningen för litiumjonbatterier. Fabriksinställningarna kan oftast tillämpas även på LFP-batterier förutom dessa inställningar:

- Laddningsverkningsgrad
- Peukert-exponent
- Svansström

Laddningsverkningsgrad

Laddningsverkningsgraden för ett litiumjonbatteri är mycket högre än för blybatterier. Vi rekommenderar att ställa in laddningsverkningsgraden på 99 %. För mer information, se avsnitt 7.1.7: "Charge efficiency factor".

Peukert-exponent

När de utsätts för högre urladdningshastigheter, har litiumjonbatterierna mycket högre prestanda än blybatterierna. Ställ in Peukert-exponenten på 1.05 om inte batteriåterförsäljaren rekommenderar något annat.

Svansström

Vissa litiumbatteriladdare slutar ladda när strömmen sjunker under ett förinställt värde. Svansströmmen måste ställas in högre i det här fallet.

Urladdningsgolv (gräns)

Den här inställningen används för beräkning av "återstående tid" och är som standard inställd på 50 %.

Litiumbatterier kan oftast laddas ur mycket mer än 50 %. Urladdningsgolvet (gränsen) kan ställa in på ett värde mellan 10 % och 20 % om inte batteriåterförsäljaren rekommenderar något annat.

Viktig varning

Litiumbatterierna är dyrbara och kan förstöras på grund av för väldigt djup urladdning eller överladdning. Skador på grund av djur urladdning kan ske om små belastningar långsamt laddar ur batteriet när systemet inte används. Exempel på sådana belastningar är larmsystem, standby-ström från DC-belastningar och backström från batteriladdare eller laddningsregulatorer.

En restförbrukning är särskilt farlig om systemet har laddats ur såpass mycket att en avstängning på grund av låg cellspänning har ägt rum. I det läget kan laddningsstatusen vara så låg som 1 %. Litiumbatteriet kommer att skadas om den återstående strömmen dras ur batteriet. Skadan kan vara permanent.

En restström på exempelvis 1 mA kan skada ett 100 Ah batteri om systemet lämnas i urladdat skick under längre tid än 40 dagar (1 mA x 24 tim. x 40 dgr = 0,96 Ah).

SmartShunt drar <1 mA ur ett 12 V-batteri. Den positiva tillförseln måste därför avbrytas om ett system med litiumjonbatterier lämnas utan tillsyn under en period tillräckligt lång för att SmartShuntens strömförbrukning helt ska tömma batteriet.

Vid tveksamhet om eventuell restförbrukning av ström, isolera batteriet genom att öppna batteribrytaren genom att dra ut säkringar(na) för batteriet eller koppla bort batteriets positiva kabel när systemet inte används.

5 DRIFT

5.1 Hur fungerar SmartShunt?

Huvudfunktionen för SmartShunt är att följa och indikera batteriets laddningsstatus, för att veta hur mycket laddat batteriet är och för att förhindra en oväntad komplett urladdning.

SmartShunt mäter kontinuerligt det aktuella in och utflödet ur batteriet. Integration av denna ström över tid, om det var en fast ström, handlar om att multiplicera ström och tid och ger nettomängden Ah som läggs till eller tas bort.

T.ex. en urladdningsström på 10 A under 2 timmar kommer att ta $10 \times 2 = 20$ Ah från batteriet.

För att komplicera saken är batteriets effektiva kapacitet beroende av urladdningsgraden, Peukert-verkningsgraden och, i mindre utsträckning, av temperaturen. För att komplicera det ännu mer, när du laddar batteriet måste mer energi (Ah) "pumpas" in i batteriet än vad som kan hämtas tillbaka under nästa urladdning. Laddningsverkningsgraden är mindre än 100 %.

SmartShunten tar med alla dessa faktorer i beräkningen av laddningsstatusen.

5.2 Översikt av avläsning

Statusskärmen på SmartShunten visar en överblick av viktiga parametrar:

- Laddningsstatus.
- Batterispänning.
- Batteriström.
- Effekt.
- Avläsning av Aux-ingången (startbatteri, mittzon eller temperatur).

Laddningsstatus

Detta är batteriets faktiska laddningsstatus i procent och den är kompenserad både för Peukert-verkningsgrad och laddningsverkningsgrad. Laddningsstatusen är det bästa sättet att övervaka batteriet på.

Ett fulladdat batteri kommer att indikeras med ett värde på 100.0 % Ett fullständigt urladdat batteri kommer att indikeras med ett värde på 0.0 %

Observera att om laddningsstatusen indikerar tre streck: "---" betyder det att SmartShunt är i osynkat tillstånd. Detta inträffar oftast när SmartShunt nyligen har installerats eller efter att SmartShunt har varit strömlös och förses med ström igen. För mer information, se avsnitt 5.3: "Synchronising the SmartShunt".

Spänning

Detta är batteriets terminalspänning.

Ström

Detta är faktiska ström som flödar till eller från batteriet. En negativ ström indikerar att ström tas från batteriet. Det är den ström som behövs för DC-belastningar. En positiv ström betyder att ström går in i batteriet. Det är ström som kommer från laddningskällorna. Tänk på att SmartShunt alltid kommer att visa den sammanlagda batteriströmmen, alltså strömmen som flödar in i batteriet minus den ström som dras ut ur batteriet.

Effekt

Effekten som dras från eller mottas av batteriet.

Förbrukade Ah

SmartShunten håller koll på antalet amperetimmor som har dragits från batteriet som kompensation för verkningsgraden.

Exempel: Om en ström på 12 A dras från batteriet under en period av 3 timmar, kommer denna avläsning att visa -36 0 Ah ($-12 \times 3 = 36$).

Observera att om de förbrukade amperetimmarerna visar tre streck: "---" betyder det att SmartShunt är i osynkat tillstånd. Detta inträffar oftast när SmartShunt nyligen har installerats eller efter att SmartShunt har varit strömlös och förses med ström igen. För mer information, se avsnitt 5.3: "Synchronising the SmartShunt".

Återstående tid

SmartShunt uppskattar också hur länge batteriet kan stödja aktuell belastning. Detta är avläsningen av "återstående tid" som är den faktiska tiden som är kvar innan batteriet är helt urladdat och når "urladdningsgolvet". Urladdningsgolvet är som standard inställt på 50 %. För inställningen av urladdningsgolvet, se avsnitt 7.1.3: "Discharge floor".

Om belastningen fluktuerar starkt är det bäst att inte förlita sig på denna avläsning alltför mycket eftersom det är en tillfällig avläsning och bör endast användas som en riktlinje. Vi rekommenderar alltid att använda avläsningen för laddningsstatus för precis batteriövervakning.

Om "Återstående tid" indikerar tre streck: "---" betyder det att SmartShunt är i osynkat tillstånd. Detta inträffar oftast när SmartShunt nyligen har installerats eller efter att SmartShunt har varit strömlös och förses med ström igen. För mer information, se avsnitt 5.3: "Synchronising the SmartShunt".

Ingång

Detta är statusen för extraingången Aux. Beroende på hur Aux-porten har ställts in kommer du att se ett av dessa alternativ:

- **Startbatterispänning:** Visar spänningen från ett andra batteri.
- **Batteritemperatur:** Visar huvudbatteriets temperatur när den valfria temperatursensorn används.
- **Mittzonspänningsavvikelse:** Visar avvikelsen i procent från huvudspänningen i övre delen av batteribanken jämfört med spänningen i den nedre delen. För mer information om denna funktion, se avsnitt 9: "Midpoint voltage monitoring".

5.3 Synkronisering av SmartShunt

För en tillförlitlig avläsning måste laddningsstatusen, som den visas av batteriövervakaren, synkroniseras regelbundet med batteriets verkliga laddningsstatus. Detta för att värdet "Laddningsstatus" driver iväg över tid. Genom att synkronisera återställs batteriets laddningsstatus till 100 %.

5.3.1 Automatisk synkronisering

Synkronisering är en automatisk process och sker när batteriet har laddats fullt. SmartShunten tittar på några parametrar för att säkerställa att batteriet verkligen har fulladdats. Den anser att batteriet är fulladdat när spänningen har uppnått ett visst värde och strömmen har sjunkit under ett visst värde i en viss tid.

Dessa parametrar kallas:

- **Laddad spänning** - floatspänningen i en batteriladdare.
- **Svansström** - en procentandel av batterikapaciteten.
- **Laddningsavkänningsstid** - tiden i minuter.

Så fort dessa tre parametrar uppnås kommer SmartShunt att ställa in värdet för laddningsstatus på 100 % och därmed synkronisera laddningsstatusen.

Exempel:

För ett 12 V-batteri kommer SmartShunt att återställa batteriets laddningsstatus till 100 % när alla dessa parametrar har uppnåtts:

- Spänningen överstiger 13.2V,
- laddningsströmmen är lägre än 4,0 % av den totala batterikapaciteten (t.ex. 8 A för ett 200 Ah-batteri) och,
- tre minuter har gått sedan både spännings- och strömvillkoren har uppnåtts.

Om SmartShunt inte utför en regelbunden synkronisering kommer laddningsstatusen att börja driva iväg över tid. Detta beror på små felaktigheter i SmartShunt och på grund av uppskattningen av Peukert-exponenten. När ett batteri är fulladdat, och laddaren har gått in i float-läge, är batteriet fullt och SmartShunt kommer automatiskt att synkronisera genom att ställa in värdet för laddningsstatus på 100 %.

5.3.2 Manuell synkronisering

Vid behov kan SmartShunt också synkroniseras manuellt. Detta gör du genom att trycka på synkroniseringsknappen i batteriinställningarna på VictronConnect.

En manuell synkronisering kan behövas i vissa situationer när SmartShunt inte synkroniserar automatiskt. Det krävs t.ex. vid den första installationen eller efter att spänningstillförseln till SmartShunt har avbrutits. En manuell synkronisering kan även krävas om batteriet inte har laddats fullt, eller om SmartShunt inte har känt av att batteriet har laddats fullt på grund av att den laddade spänningen, strömmen eller tiden är felaktigt inställd. Om så är fallet, kontrollera inställningen och se till att batteriet regelbundet blir fulladdat.

5.4 Larm

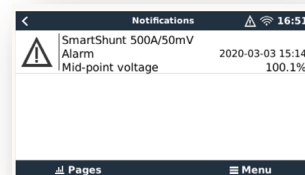
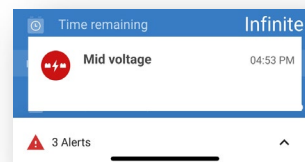
SmartShunt kan aktivera ett larm vid låg laddningsstatus, vid avläsningar om låg eller hög batterispänning eller låg eller hög temperatur eller en viss mittzonsavvikelse. Larmet aktiveras när värdet uppnår ett inställt tröskelvärde och det stängs sedan av när värdet överstiger tröskeln igen.

Larmet är ett programvarularm. När enheten är kopplad till appen VictronConnect, och ett larm är aktivt, visas larmet i appen. Eller, alternativt, om SmartShunt är kopplad till en GX-enhet, visas larmet på GX-enheten eller på VRM.

För VictronConnect, kvitteras larmet när en knapp trycks ned.

Och för en GX-enhet, kvitteras larmet när det aviseringen är läst. Larmet visas emellertid så länge som larmtillståndet kvarstår.

Observera att till skillnad från sortimentet för BMV batteriövervakare, har inte SmartShunt något larmrelä eller larmbuzzer. Om du behöver en reläfunktion, koppla SmartShunt till en GX-enhet och använd reläet i GX-enheten med SmartShunt-funktionen.



5.5 Historisk data

SmartShunt sparar historiska händelser. Dessa kan användas vid senare tillfälle för att utvärdera användningsmönster och batteriets hälsa. Historiken hittas under fliken "Historik" i VictronConnect.

Historikdatan sparas på ett icke-flyktigt minne och går inte förlorad om strömtillförseln till SmartShunt avbryts eller om SmartShunt ställs om till fabriksinställningar.

Urladdningsinformation i Ah

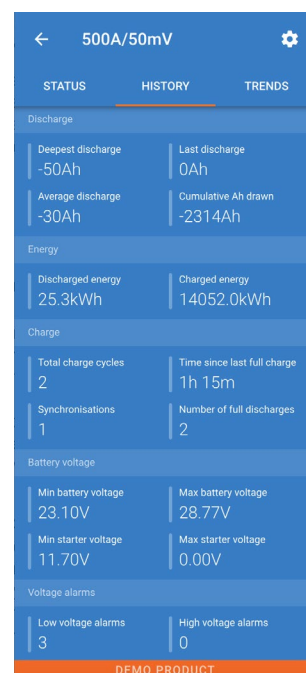
- Djupaste urladdning: SmartShunt minns den djupaste urladdningen och varje gång batteriet laddas ur ännu mer kommer det gamla värdet att skrivas över.
- Senaste urladdning: SmartShunt kontrollerar urladdningen under strömcykeln och visar det högsta värdet för förbrukade amperetimmars sedan den senaste synkroniseringen.
- Genomsnittlig urladdning: De ackumulerade amperetimmarna som har dragits, delat på totalt antal cykler.
- Ackumulerade dragna timmar - det ackumulerade antalet amperetimmars som har dragits från batteriet under SmartShunts livstid.

Energi i kWh

- Urladdad energi: Den totala mängden energi som tas från batteriet i (k)Wh.
- Laddad energi: Den totala mängden energi som har tagits upp i batteriet i (k)Wh.

Laddning

- Totalt antal cykler: Antalet laddningscykler under SmartShunts livstid. En laddningscykel räknas varje gång laddningsstatusen sjunker under 65 % och sedan ökar till över 90 %.
- Tid sedan senaste fullständiga laddning: Antalet dagar sedan den senaste fullständiga laddningen.
- Synkroniseringar: Antalet automatiska synkroniseringar. En synkronisering räknas varje gång laddningsstatusen sjunker under 90 % innan en synkronisering inträffar.
- Antal fullständiga urladdningar: Antalet fullständiga urladdningar. En fullständig urladdning räknas när laddningsstatus når 0 %.



Batterispänning

- Lägsta batterispänning: Den lägsta batterispänningen.
- Högsta batterispänning: Den högsta batterispänningen.
- Lägsta startbatterispänning: Den lägsta startbatterispänningen (om tillämpligt).
- Högsta startbatterispänning: Den högsta startbatterispänningen (om tillämpligt).

Spänningslarm

- Larm för låg spänning: Antalet larm för låg spänning.
- Larm för hög spänning: Antalet larm för hög spänning.

5.6 Trender

Avsnittet "Trender" i VictronConnect möjliggör dataloggning, men endast när VictronConnect är ansluten och kommunicerar med SmartShunt. Den loggar två av följande parametrar simultant: spänning, ström, effekt, förbrukade amperetimmar eller laddningsstatus.

5.7 LED-statuskoder

SmartShunt har två LED-lampor; en för Bluetooth-status (blå) och en för fel (röd). Dessa LED-lampor är båda knutna till SmartShuntens Bluetooth-gränssnitt.

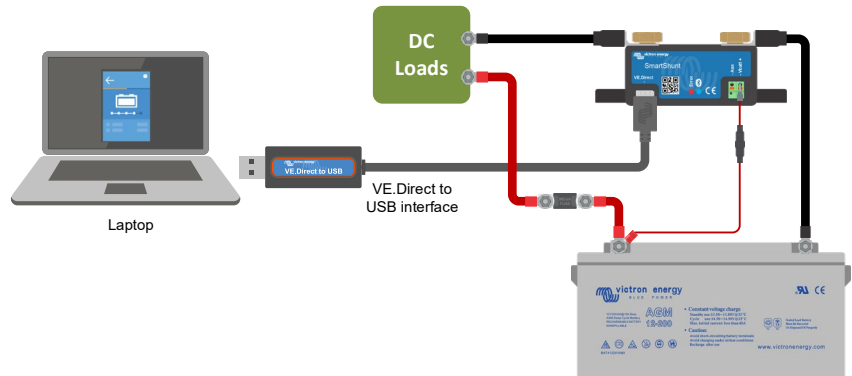
- Vid uppstart blinkar den blå LED-lampan och den röda LED-lampan lyser snabbt upp. Den röda lampan lyser endast upp för att bekräfta att den fungerar.
- När den blå LED-lampan blinkar är SmartShunt redo att anslutas till VictronConnect.
- När den blå LED-lampan lyser oavbrutet betyder det att SmartShunt har anslutit till VictronConnect via Bluetooth.
- När både den blå och den röda lampan blinkar samtidigt betyder det att SmartShunts fasta programvara håller på att uppdateras,

6 GRÄNSSNITT

SmartShunten kan anslutas till annan utrustning och i det här avsnittet förklara vi hur man kan göra.

6.1 VictronConnect via USB

VictronConnect kan inte bara anslutas via Bluetooth utan också via USB. En USB-anslutning är nödvändig för att ansluta till Windows-versionen av VictronConnect och valfri om du använder MacOS eller Android-versionerna. Observera att om du ansluter till en Android-telefon eller surfplatta kan du behöva en "USB-OGT"-kabel (USB on the Go).



För att ansluta via USB behöver du ett VE.Direct till USB-gränssnitt, delnummer SS030530000. Använd det gränssnittet för att ansluta datorn till SmartShunten.

Se handboken för VictronConnect för mer information: <https://www.victronenergy.com/live/victronconnect:start>.

6.2 Anslutning till en GX-enhet och VRM

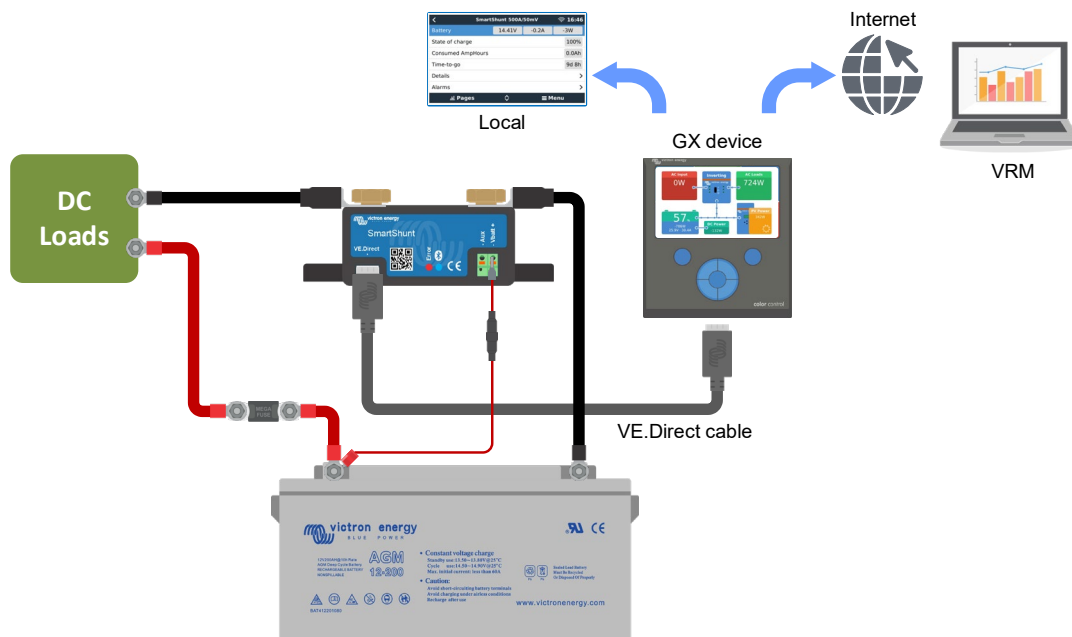
GX-enheter är Victron-enheter som styr och övervakar alla Victron-produkter som är kopplade till dem. Styrning och övervakning kan ske lokalt men även på distans via vår kostnadsfria fjärrstyrningssida "Victron Remote Monitoring", VRM-onlineportalen. För en översikt över alla tillgängliga GX-enheter, besök: <https://www.victronenergy.com.au/panel-systems-remote-monitoring>.

SmartShunt 500A/50mV		
Battery	14.41V	-0.2A -3W
State of charge	100%	
Consumed AmpHours	0.0Ah	
Time-to-go	9d 8h	
Details	>	
Alarms	>	

För en länk till VRM-sidan, besök: <https://vrm.victronenergy.com>

SmartShunt kan kopplas till en GX-enhet med en VE.Direct-kabel, delnummer ASS03053xxxx. Ve.Direct-kablarna finns tillgängliga i längder från 0.3 till 10 meter och finns med raka eller högervinkelkontakter. Istället för att använda en VE.Direct-kabel kan SmartShunt även kopplas till en GX-enhet med VE.Direct till USB-gränssnittet.

När den är ansluten kan GX-enheten användas för att läsa ut alla övervakade batteriparametrar.



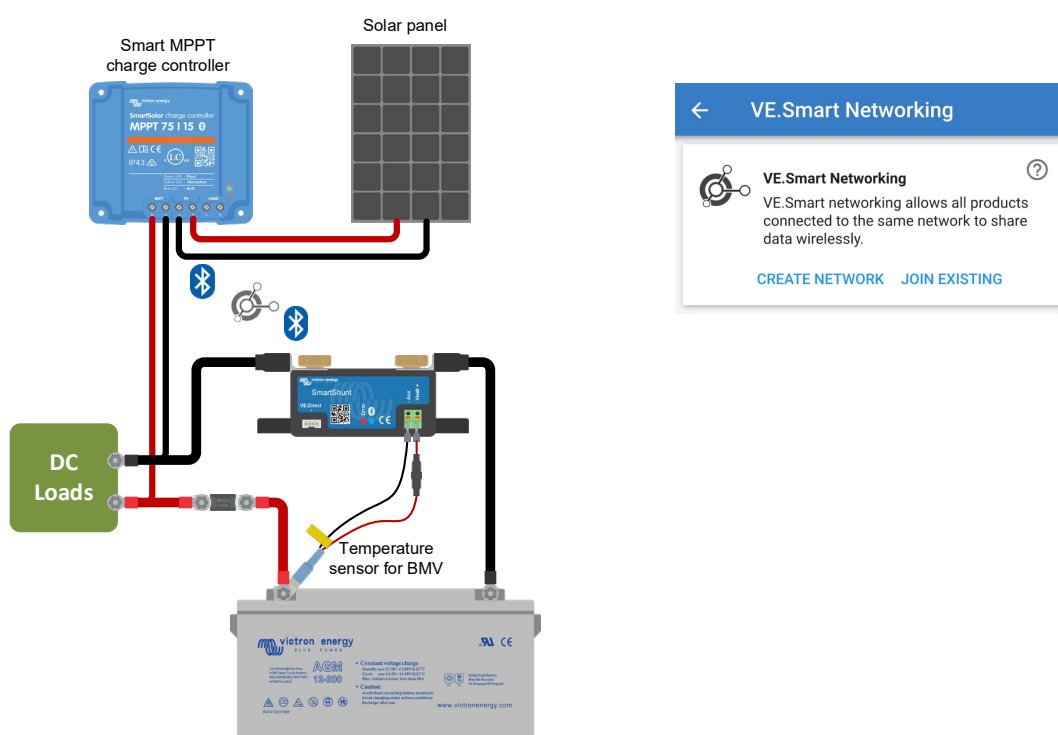
6.3 Anslutning till VE.Smart Network

VE.Smart Network är ett trådlöst nät som tillåter ett antal Victron-produkter att utbyta information via Bluetooth. SmartShunt kan dela batterispänning och temperatur (tillval temperatursensor krävs) med VE.Smart Network.

Till exempel: I ett VE.Smart nät som innehåller en SmartSolar med temperatursensor och en MPPT-solcellsladdare, får solcellsladdaren information om batterispänning och temperatur från SmartShunt och använder sedan den till att optimera laddningsparametrarna. Detta förbättrar laddningseffektiviteten och förlänger batteriets liv.

För göra så att SmartShunt blir en del av ett VE.Direct Smart nät måste du antingen skapa ett nät eller gå med i ett redan befintligt nät. Inställningarna hittar du i SmartShunt inställningar > smart nätverkande. Se användarhandboken för VE.Direct Smart network för mer information:

<https://www.victronenergy.com/live/victronconnect:ve-smart-networking>



6.4 Anpassad integrering (programmering krävs)

VE.Direkt kommunikationsport kan användas för att avläsa data och ändra inställningar. VE.Direkt protokollet är enkelt att implementera. Överföring av data till SmartShunt är inte nödvändigt för enklare applikationer: SmartShunt skickar automatiskt alla avläsningar varje sekund.

Alla detaljer förklaras i detta dokument:

https://www.victronenergy.com/upload/documents/Whitepaper-Data-communication-with-Victron-Energy-products_EN.pdf

7 ALLA FUNKTIONER OCH INSTÄLLNINGAR

7.1 Batteriinställningar

Dessa inställningar kan användas för att finjustera SmartShunten. Var försiktig när du ändrar dessa inställningar eftersom en ändring påverkar hur SmartShunt beräknar laddningsstatus.

7.1.1 Batterikapacitet

Den här parametern används för att tala om för SmartShunt för stort batteriet är. Den är inställningen skulle egentligen ha gjorts under den första installationen av SmartShunt.

Inställningen anger batteriets kapacitet i amperetimmar (Ah). För mer information se avsnitt 8: "Battery capacity and Peukert exponent".

Standardinställning:	Intervall	Stegstorlek
200 Ah	1 – 9999 Ah	1 Ah

7.1.2 Laddad spänning

Batterispänningen måste vara över denna spänningsnivå för att batteriet ska anses som fulladdat. Så fort som SmartShunten känner av att batterispänningen har uppnått den "laddade spänningen" och strömmen har sjunkit under "svansströmmen" under en fastställd tid, kommer SmartShunt att ställa in laddningsstatusen till 100 %. Parametern "Laddad spänning" ska alltid vara lite under laddarens sista laddningsspänning. Det brukar vara 0,2 V eller 0.3 V under laddarens floatspänning.

Se alternativt avsnitt 4.5.2: "inställning av de rekommenderade inställningarna för blybatterier.

Standardinställning:	Intervall	Stegstorlek
0 V	0 - 95 V	0.1 V

Parametern "Laddad spänning" ska alltid ställas in på 0,2 V eller 0.3 V under laddarens floatspänning. Alternativt, se tabellen nedan för rekommenderade inställningar.

Rekommenderade inställningar för blybatterier:

Nominell batterispänning	Inställning för laddad spänning
12 V	13.2V
24 V	26.4 V
36 V	39.6 V
48 V	52.8 V

7.1.3 Urladdningsgolv (gräns)

Parametern "Urladdningsgolv" används för att beräkna återstående tid. Med återstående tid menas den tid som är kvar tills "urladdningsgolvet" har uppnåtts.

Standardinställning	Intervall	Stegstorlek
50 %	0/ 99 %	1 %

7.1.4 Svansström

Batteriet anses "fulladdat" när laddningsströmmen har sjunkit under den fastställda parametern för "Svansström". Parametern för "Svansström" anges i ett procenttal av batteriets kapacitet.

Anmärkning: Vissa batteriladdare slutar ladda när laddningsströmmen sjunker under ett förinställt värde. I dessa fall, måste svansströmmen ställas in högre än det förinställda värdet.

Så fort som SmartShunten känner av att batterispänningen har uppnått den "laddade spänningen" och strömmen har sjunkit under "svansströmmen" under en fastställd tid, kommer SmartShunt att ställa in laddningsstatusen till 100 %.

Standardinställning	Intervall	Stegstorlek
---------------------	-----------	-------------

4.00 %	0.50 – 10.00 %	0.1 %
--------	----------------	-------

7.1.5 Laddnings-avkänningstid

Detta är den tid då "Laddad spänning och "Svansström" måste vara uppfyllda för att batteriet ska anses vara fullladdat.

Standardinställning	Intervall	Stegstorlek
3 minuter	0 – 100 minuter	1 minut

7.1.6 Peukert-exponent

När denna är okänd rekommenderas att hålla detta värde på 1.25 (standard) för blysyrebatterier och att ändra till 1.05 för litiumjonbatterier. Ett värde på 1.00 inaktiverar Peukert-kompensationen. För mer information se avsnitt 8: "Battery capacity and Peukert exponent"

Standardinställning	Intervall	Stegstorlek
1.25	1.00 – 1.50	0.01

7.1.7 Faktor för laddningsverkningsgrad

"Faktorn för laddningsverkningsgrad" kompenserar för kapacitetsförlusten (Ah) under laddning. En inställning på 100 % betyder att det inte förekommer några förluster.

Standardinställning	Intervall	Stegstorlek
95 %	50 – 100 %	1%

Laddningsverkningsgraden hos ett blybatteri är nästan 100 % så länge som ingen gasbildning äger rum. Gasning innebär att en del av laddningsströmmen inte omvandlas till kemisk energi som lagras i batteriets plattor men används för att sönderdela vatten i syrgas och vätgas (högexplosivt). Den energi som lagras i plattorna kan utvinnas under nästa urladdning medan den energi som används för att sönderdela vatten går förlorad. Gasning kan lätt iaktas i vätskefyllda batterier. Observera att "endast syre" i slutet av laddningsfasen i slutna (VRLA) gel- och AGM-batterier också resulterar i minskad laddningsverkningsgrad.

En laddningsverkningsgrad på 95 % betyder att 10 Ah måste överföras till batteriet för att få 9 Ah verkligt upptagna av batteriet. Ett batteris laddningsförmåga beror på batterityp, ålder och användningsätt. SmartShunt tar hänsyn till detta fenomen genom faktorn för laddningsverkningsgrad:

7.1.8 Strömtröskel

När den uppmätta strömmen faller under värdet för "Strömtröskel" kommer den att anses vara noll. Med denna funktion är det möjligt att utesluta små strömstyrkor som kan påverka avläsningen för långtidsladdningsstatus negativt i miljöer med mycket störningar. Till exempel, om den faktiska långtidsströmmen är 0.0 A och på grund av störningar utifrån eller små avvikelser i batteriövervakaren indikerar -0.05 A, kan SmartShunt i det långa loppet på ett felaktigt sätt indikera att batteriet är tomt eller behöver laddas upp. När strömtröskeln i detta exempel är inställd på 0.1 A räknar SmartShunt med 0.0 A så att felen elimineras. Ett värde på 0.0 A inaktiverar denna funktion.

Standardinställning	Intervall	Stegstorlek
0.10 A	0.00/ 2.00 A	0.01 A

7.1.9 Medelvärdesperiod återstående tid

Medelvärdesperioden för återstående tid specificerar tidsfönstret (i minuter) som det rörliga genomsnittsfiltret arbetar med. Ett värde på 0 inaktiverar filtret och ger en omedelbar (realtids) avläsning. Dock kan de värden för återstående tid som visas fluktuera kraftigt. Val av längsta tid (12 minuter) säkerställer att enbart långsiktiga belastningsfluktuationer ingår i beräkningen av återstående tid.

Standardinställning	Intervall	Stegstorlek
3 minuter	0 – 12 minuter	1 minut

7.1.10 Synkroniserad batteristart

Batteriets laddningsstatus blir 100 % är SmartShunt har försetts med ström. När den är PÅ kommer SmartShunten att anse sig vara synkroniserad vid start, vilket innebär att laddningsstatusen ställs in till 100 %. Om den är AV kommer SmartShunten att anse sig vara osynkroniserad vid start vilket innebär att laddningsstatusen är okänd fram till den första verkliga synkroniseringen.

Standardinställning	Intervall
PÅ	AV/PÅ

Tänk på att vissa situationer kan uppstå där du bör göra vissa överväganden innan du ställer in funktionen till PÅ. En sådan situation kan uppstå i system där batteriet ofta kopplas bort från SmartShunt, till exempel i en båt. Om du lämnar båten och kopplar från DC-systemet med den huvudsakliga DC-brytaren när batterierna var laddade till 75 % t.ex. När du återvänder till båten och kopplar på DC-systemet igen kommer SmartShunt då att visa 100 %. Det ger ett falskt intryck av att batterierna är fulladdade när de i verkligheten är delvis urladdade. Det finns två sätt att lösa detta på, en är att inte koppla bort SmartShunten när batterierna är delvis urladdade och den andra är att stänga av funktionen "Synkroniserad batteristart". När SmartShunten kopplas på igen kommer laddningsstatusen att visa "---" och visar endast 100 % när batterierna har blivit fullständigt laddade. Observera att om du lämnar ett blybatteriet i delvis urladdat läge en längre tid kommer det leda till skador på batteriet.

7.1.11 Laddningsstatus

Med den här inställningen kan du manuellt ställa in laddningsstatusen. Den här inställningen är endast aktiv efter att SmartShunt har synkroniserats, minst en gång. Antingen automatiskt eller manuellt.

Standardinställning	Intervall	Stegstorlek
--%	0.0/ 100 %	0.1 %

7.1.12 Synkronisera laddningsstatus (SoC) till 100 %

Detta alternativ kan användas för att synkronisera SmartShunt manuellt. Tryck på "Synkronisera"-knappen för att synkronisera SmartShunten till 100 %. För mer information, se avsnitt 5.3.2: "Manual synchronisation".

7.1.13 Nollströmskalibrering

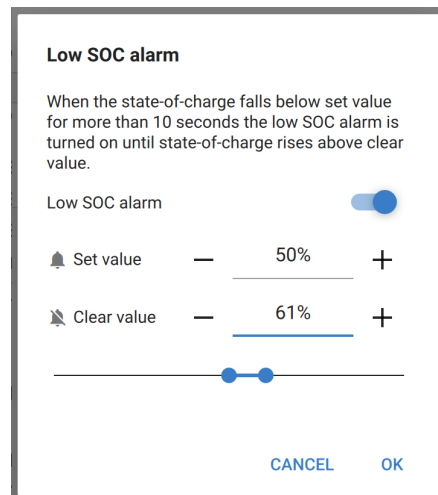
Om SmartShunt visar en icke-nollström även när det inte finns någon belastning och batteriet inte laddas, kan detta alternativ användas för att kalibrera nollströmsavläsning. Säkerställ att det inte finns någon ström som går in eller ut ur batteriet. Du gör detta genom att koppla bort kabeln mellan belastningen och SmartShunten och sedan trycka på "kalibrera"-knappen för att göra en nollströmskalibrering.

7.2 Larminställningar

Observera att SmartShunt inte är utrustad med en buzzer eller ett larmrelä som BMV-serierna är. De larm som genereras visas endast i appen VictronConnect när den är ansluten till SmartShunt eller används för att skicka en larmsignal till en GX-enhet.

7.2.1 SoC larminställning

När funktionen är aktiv kommer larmet att aktiveras när laddningsstatusen sjunker under det förinställda värdet i mer än 10 sekunder. Larmet stängs av när laddningsstatusen stiger över återställningsvärdet.



Standardinställning	Intervall
Inaktiv	Inaktiv/ aktiv

När aktiv	Standardinställning		
Förinställt värde	1 %	0 – 100 %	1 %
Återställningsvärde	2 %	0 – 100 %	1 %

7.2.2 Larm för låg spänning

När funktionen är aktiv kommer larmet att aktiveras när batterispänningen sjunker under det förinställda värdet i mer än 10 sekunder. Larmet stängs av när batterispänningen stiger över återställningsvärdet.

Standardinställning	Intervall
Inaktiv	Inaktiv/ Aktiv

När aktiv	Standardinställning		
Förinställt värde	1.0 V	0 - 95.0V	0.1 V
Återställningsvärde	1.1 V	0 - 95.0 V	0.1 V

7.2.3 Larm för hög spänning

När funktionen är aktiv kommer larmet att aktiveras när batterispänningen stiger över det förinställda värdet i mer än 10 sekunder. Larmet kommer att stängas av när batterispänningen sjunker under återställningsvärdet.

Standardinställning	Intervall
Inaktiv	Inaktiv/ aktiv

När aktiv	Standardinställning		
Förinställt värde	1.1 V	0 - 95.0 V	0.1 V
Återställningsvärde	1.0 V	0 - 95.0 V	0.1 V

7.2.4 Larm för låg startbatterispänning

Den här inställningen är endast tillgänglig om extraingången har ställts in på "Startbatteri"

När funktionen är aktiv kommer larmet att aktiveras när startbatterispänningen sjunker under det förinställda värdet i mer än 10 sekunder. Larmet stängs av när startbatterispänningen stiger över återställningsvärdet.

Standardinställning	Intervall
Inaktiv	Inaktiv/ Aktiv

När aktiv	Standardinställning		
Förinställt värde	1.0 V	0 - 95.0 V	0.1 V
Återställningsvärde	1.1 V	0 - 95.0 V	0.1 V

7.2.5 Larm för hög startbatterispänning

Den här inställningen är endast tillgänglig om extraringången har ställts in på "Startbatteri"

När funktionen är aktiv kommer larmet att aktiveras när startbatterispänningen stiger över det förinställda värdet i mer än 10 sekunder. Larmet stängs av när startbatterispänningen sjunker under återställningsvärdet.

Standardinställning	Intervall
Inaktiv	Inaktiv/ aktiv

När aktiv	Standardinställning		
Förinställt värde	1.1 V	0 - 95.0 V	0.1 V
Återställningsvärde	1.0 V	0 - 95.0 V	0.1 V

7.2.6 Larm för mittzonsavvikelse

Den här inställningen är endast tillgänglig om extraringången är inställd på "Mittzon".

När funktionen är aktiv kommer larmet att aktiveras när mittzonspänningsavvikelsen stiger över det förinställda värdet i mer än 10 sekunder. Larmet stängs av när mittzonspänningsavvikelsen sjunker under återställningsvärdet.

Standardinställning	Intervall
Inaktiv	Inaktiv/ aktiv

När aktiv	Standardinställning		
Förinställt värde	2 %	0 - 99 %	1 %
Återställningsvärde	1 %	0 - 99 %	1 %

7.2.7 Larm för hög temperatur

Den här inställningen är endast tillgänglig om extraringången är inställd på "Temperatur".

När funktionen är aktiv kommer larmet att aktiveras när batteritemperaturen stiger över det förinställda värdet i mer än 10 sekunder. Larmet stängs av när batteritemperaturen sjunker under återställningsvärdet.

Standardinställning	Intervall
Inaktiv	Inaktiv/ aktiv

När aktiv	Standardinställning	Intervall	Stegstorlek
Förinställt värde	2 °C (2 °F)	-99 - +99 °C (-146 - +210 °F)	1 °C (1 °F)
Återställningsvärde	1 °C (2 °F)	-99 - +99 °C (-146 - +210 °F)	1 °C (1 °F)

7.2.8 Larm för låg temperatur

Den här inställningen är endast tillgänglig om extraringången är inställd på "Temperatur".

När funktionen är aktiv kommer larmet att aktiveras när batteritemperaturen sjunker under det förinställda värdet i mer än 10 sekunder. Larmet stängs av när batteritemperaturen stiger över återställningsvärdet.

Standardinställning	Intervall
Inaktiv	Inaktiv/ aktiv

När aktiv	Standardinställning	Intervall	Stegstorlek
Förinställt värde	2°C (2°F)	-99 - +99 °C (-146 - +210 °F)	1 °C (1 °F)
Återställningsvärde	1 °C (2°F)	-99 - +99 °C (-146 - +210 °F)	1 °C (1 °F)

7.3 Blandade inställningar

7.3.1 Extraingång

Den här inställningen ställer in funktionen för extraingången Aux: Välj mellan: Startbatteri, mittzon eller temperatur

Standardinställning	Intervall
Startbatteri	Startbatteri/ Mittzon/ Temperatur

7.3.2 Temperaturkoefficient

Den här inställningen är endast tillgänglig efter att extraingången har ställts in på "Temperatur".

Den tillgängliga batterikapaciteten minskar med temperaturen. Vanligtvis är minskningen, jämfört med kapaciteten vid 20 °C, 18 % vid 0 °C och 40 % vid -20 °C.

Temperaturkoefficienten är den procentuella andelen med vilken batterikapaciteten ändras med temperaturen. När temperaturen minskar till under 20 °C (över 20 °C är temperaturens inverkan på kapaciteten relativt låg och tas inte med i beräkningen). Enheten för detta värde är "%cap/°C" eller procent kapacitet per Celsius-grad. Ett typiskt värde (under 20 °C) är 1%cap/°C för blybatterier och 0,5%cap/°C för litiumjärnfosfatbatterier.

Standardinställning	Intervall	Stegstorlek
0.0%cap/°C	0 - 2.0%cap/°C	0.1%cap/°C
0.0%cap/°F	0 - 3.6%cap/°F	0.1%cap/°F

7.4 Inställning av temperaturenhet

Den här inställningen hittar du i inställningar för appen VictronConnect. Lämna SmartShunten genom att klicka på pilen ←. Det tar dig tillbaka till enhetslistan i appen VictronConnect. Klicka på menysymbolen ≡ och klicka sen på inställningssymbolen ⚙. Här kan du välja vilken temperaturenhet som ska visas. Om du väljer Celsius kommer temperaturen att visas med °C och om du väljer Fahrenheit kommer temperaturen att visas med °F.

Standardinställning	Intervall
Celsius	Celsius/ Fahrenheit

7.5 Produktinställningar

Klicka på inställningssymbolen ⚙ och sen på menysymbolen ! för att komma åt dessa inställningar.

7.5.1 Återställning till fabriksinställningar

För att återställa alla inställningar till fabriksinställningarna klicka på "Återställ till fabriksinställningar". Observera att detta endast återställer inställningarna, historiken återställs inte.

7.5.2 Anpassat namn

I skärmen med SmartShuntens produktinformation kan du ändra namnet på SmartShunten. Som standard heter den sitt produktnamn. Du kan komma att behöva ett mer passande namn, särskilt om du använder flera SmartShuntar nära varandra och det kan bli förvirrande att veta vilken Smartshunt du kommunicerar med. Du kan t.ex. lägga till id-nummer till deras namn, som: SmartShunt A, SmartShunt B osv.

7.5.3 Fast programvara

Både SmartShunten och dess Bluetooth-gränssnitt drivs med fast programvara. Ibland finns en nya programvara tillgänglig. Ny programvara släpps antingen för att lägga till funktioner eller fixa ett fel. Produktöversikten för både SmartShunt och dess Bluetooth-gränssnitt visar båda det fasta programvarunumret. Den visar också om programvaran är den senaste versionen och det finns en knapp du kan trycka på för att uppdatera den fasta programvaran.

Vid den första installationen rekommenderar vi att du uppdaterar enheten till den senaste fasta programvaran (om den finns tillgänglig) När du ansluter till SmartShunt med en "uppdaterad" version av VictronConnect, kontrolleras den fasta programvaran och enheten frågar om du vill uppdatera din programvara om det finns en nyare version tillgänglig. VictronConnect innehåller de faktiska programvarufilerna så du behöver inte vara ansluten till internet för att uppdatera till den senaste versionen, om du använder den senaste versionen av VictronConnect.

Det är inte obligatoriskt att uppdatera den fasta programvaran. Om du väljer att inte uppdatera den kan du endast läsa av SmartShunt men inte ändra inställningar. Inställningarna kan endast ändras om SmartShunten drivs med den senaste fasta programvaran.

7.5.4 Ändra pinkod

I produktinformationen för SmartShunt Bluetooth-gränssnitt kan pinkoden ändras.

7.5.5 Avaktivera och återaktivera Bluetooth

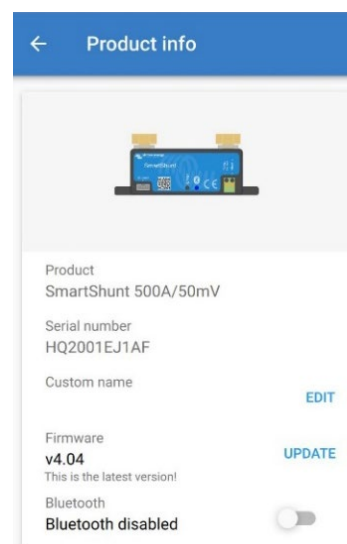
Bluetooth är som standard aktiverad i SmartShunt. Om du inte vill ha Bluetooth går den att stänga av. Du gör det genom att dra Bluetooth-brytaren åt sidan i produktinställningarna.

En anledning till att stänga av Bluetooth skulle kunna vara av säkerhetsskäl, eller för att förhindra oönskade överföringar från SmartShunt.

När Bluetooth-funktionen har avaktiverats är det endast möjligt att kommunicera med SmartShunt via dess Ve.Direct-port.

Det görs via USB till VE.Direct-gränssnittet eller via en GX-enhet som är kopplad till SmartShunt med en VE.Direct-kabel eller USB till VE.Direct-gränssnittet. För mer information se avsnitt 6: "Interfacing".

Det går att aktivera Bluetooth igen genom att ansluta till SmartShunt med VictronConnect via VE.Direct - USB-gränssnittet. När den är ansluten kan du surfa till meny för produktinställningar och återaktivera Bluetooth.



7.5.6 Serienummer

Serienumret hittar du i produktinformation om SmartShunt eller på produktinformationsetiketten på SmartShunten.

7.6 Spara, ladda upp och dela inställningar

I inställningsmenyn kan du hitta följande tre symboler:

 **Spara inställningar till fil** - Detta sparar inställningarna för referens eller senare användning.

 **Ladda upp inställningar från fil** – Detta laddar upp tidigare sparade inställningar.

 **Dela inställningsfil** – Detta låter dig dela inställningsfilen via e-post, meddelande, airdrop osv. Vilka delningsmöjligheter som finns beror på vilken plattform som används.

För mer information om dessa funktioner, läs handboken om VictronConnect:

<https://www.victronenergy.com/live/victronconnect:start>

7.7 Återställningshistorik

Den här inställningen hittar du längst ner i historikfliken. Tänk på att historikdata är ett viktigt verktyg för att hålla koll på ditt batteris prestanda och behövs för att kunna fastslå möjliga batteriproblem. Rensa inte historiken om du inte ska byta ut batteribanken.

7.8 Återställa pinkod

Den här inställningen hittar du i inställningar för appen VictronConnect. Lämna SmartShunten genom att klicka på pilen ←. Det tar dig tillbaka till enhetslistan i appen VictronConnect. Klicka nu på menysymbolen ☰ bredvid SmartShunt-listan.

Ett nytt fönster öppnas där du kan återställa pinkoden tillbaka till standard: 000000. För att kunna återställa pinkoden måste du ange SmartShuntens unika puk-kod. Puk-koden står skriven på produktinformationsetiketten på SmartShunten.

8 BATTERIKAPACITET OCH PEUKERT-EXPONENT

Batterikapaciteten anges i amperetimmar (Ah) och indikerar hur mycket ström ett batteri kan leverera över tid. T.ex. om ett batteri på 100 Ah laddas ur med en konstant ström på 5 A kommer batteriet att vara helt urladdat efter 20 timmar.

Hastigheten med vilken batteriet laddas ur kallas C-rate. C-rate indikerar hur många timmar ett batteri med en viss kapacitet kommer att räcka. 1 C är hastigheten för en timme och betyder att urladdningsströmmen kommer att fullständigt ladda ur batteriet på en timme. För ett batteri med en kapacitet på 100 Ah är det lika med en urladdningsström på 100 A. En 5C-rate för det här batteriet skulle vara 500 A i 12 minuter (1/5 tim) och en C5-rate skulle vara 20 A i 5 timmar.

Batteriets kapacitet beror på urladdningshastigheten. Ju snabbare urladdningshastighet desto mindre kapacitet finns tillgänglig. Relationen mellan en långsam eller snabb urladdning kan beräknas med Peukerts lag och uttrycks med Peukert-exponenten. Vissa batterisammansättningar lider mer av det här fenomenet än andra. Blybatterier påverkas mer av detta än litiumbatterier. SmartShunt tar hänsyn till detta fenomen med hjälp av Peukerts exponent.

Exempel på urladdningshastighet

Ett blybatteri har en kapacitet på 100 Ah vid C20, det betyder att det här batteriet kan leverera sammanlagt 100 A ström över 20 timmar till en hastighet på 5 A per timme. $C20 = 100 \text{ Ah} (5 \times 20 = 100)$.

Om samma batteri på 100 Ah laddas ur fullständigt på två timmar minskar dess kapacitet i hög grad. På grund av den högre urladdningshastigheten kanske det bara levererar $C2 = 56 \text{ Ah}$.

Peukerts formel

Värdet som kan justeras i Peukerts formel är exponenten n: se formeln nedan.

I SmartShunt kan Peukerts exponent justeras från 1.00 till 1.50. Ju högre Peukert-exponent desto snabbare "krymper" den effektiva kapaciteten med ökande urladdningshastighet. Ett idealiskt (teoretiskt) batteri har en Peukert-exponent på 1.00 och en fast kapacitet; oavsett storleken på urladdningsströmmen.

Standardinställningen för Peukert exponenten i SmartShunt är 1.25. Detta är ett acceptabelt medelvärde för de flesta blybatterier.

Peukerts ekvation återfinns nedan:

$$Cp = I^n \times t \quad \text{där Peukert:s exponent } n \text{ är:} \quad n = \frac{\log t2 - \log t1}{\log I1 - \log I2}$$

För att beräkna Peukert-exponenten behöver du två angivna batterikapaciteter. Det är oftast 20 h urladdningshastighet och 5 h kapacitet, men det kan även vara 10 h och 5h, eller 20 h och 10 h. Det idealiska är att använda en låg urladdning med en något högre kapacitet. Batteriets kapacitet hittar du i informationsbladet. Kontakta din återförsäljare om du är osäker.

Beräkningsexempel med 5h och 20h-rate

C5-rate är på 75 Ah. t_1 rate är 5h och I_1 beräknas: $I_1 = \frac{75 \text{ Ah}}{5 \text{ h}} = 25 \text{ A}$

C20-rate är 100 Ah. t_2 rate är 20h och I_2 beräknas: $I_2 = \frac{100 \text{ Ah}}{20 \text{ h}} = 5 \text{ A}$

Peukert-exponenten är: $n = \frac{\log 20 - \log 5}{\log 15 - \log 5} = 1.26$

En Peukert-simulator finns tillgänglig på

<http://www.victronenergy.com/support-and-downloadssoftware/>

Observera att Peukert-exponenten inte är mer en grov uppskattning av verkligheten och att batterierna vid mycket höga strömmar kommer att ge mycket mindre kapacitet än förväntat jämfört med en fast exponent. Vi rekommenderar att inte ändra standardinställningen i SmartShunten förutom då det gäller litiumbatterier:

Calculate Peukert's Exponent

With 'C-ratings'

Type the battery capacity for the 20hr discharge rate:

t1: 5 hrs C5 rating: 75 Ah

t2: 20 hrs C20 rating: 100 Ah

Calculate

Equation:

Peukert's exponent $n = \frac{\log 20 - \log 5}{\log 15 - \log 5} = 1.26$

Calculation results:

C20 rating: [] Ah

Peukert's exponent: 1.26

Close

9 SPÄNNINGSÖVERVAKNING AV MITTZON

En dålig cell eller ett dåligt batteri kan förstöra en stor, dyrbar batteribank.

En kortslutning eller hög invändig läckageström i en cell kan exempelvis resultera i underladdning av den cellen och överladdning i de andra cellerna. På samma sätt kan ett dåligt batteri i en 24 V eller 48 V-batteribank med flera serie/parallellkopplade 12 V- batterier förstöra hela banken.

Vidare, när nya celler eller batterier är anslutna i serie bör alla ha samma laddningsstatus från början. Små skillnader kommer att jämnas ut under absorptions- eller utjämningsladdning men stora differenser på grund av kraftig gasning av cellerna eller batterierna med den högsta ursprungliga laddningsstatusen kommer att skada batteriet.

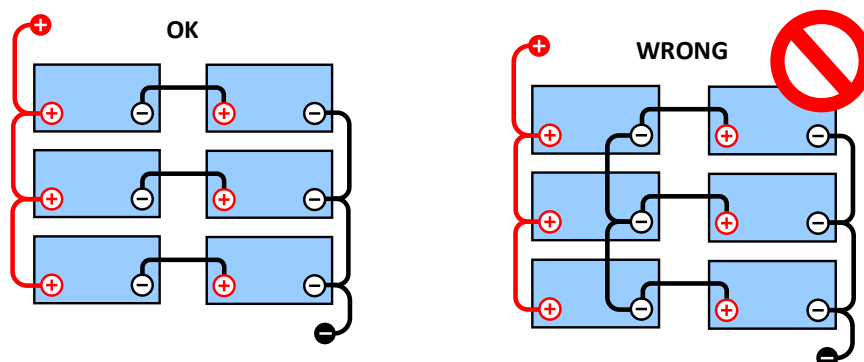
Ett snabbt larm kan genereras genom övervakning av batteribankens mittzon (t.ex. genom att halvera spänningssträngen och jämföra de två spänningshalvorna).

Observera att mittzonsavvikelsen kommer att vara liten när batteribanken vilar och kommer att öka:

- I slutet av bulkfasen under laddning (spänningen i väl laddade celler kommer att öka snabbt medan mindre laddade celler fortfarande kommer att behöver mer laddning)
- Vid urladdning av batteribanken tills spänningen i den svagaste cellen börjar minska snabbt.
- Vid mycket höggradig laddning/urladdning.

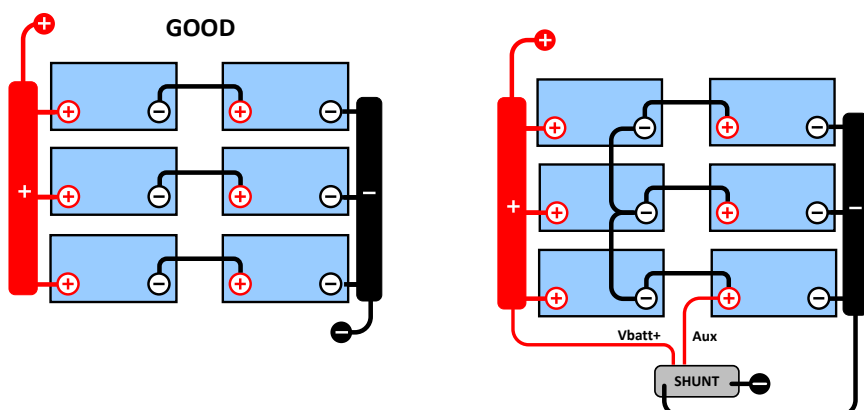
9.1 Batteribank och mittzonkopplingschema

9.1.1 Koppling och övervakning av mittzon i en 24 V-batteribank



På grund av spänningsbortfall över de positiva och negativa kablarna är mittzonspänningarna inte identiska.

I en oövervakad batteribank bör inte mittzonerna länkas samman, en dålig batteribank kan missas och skada alla

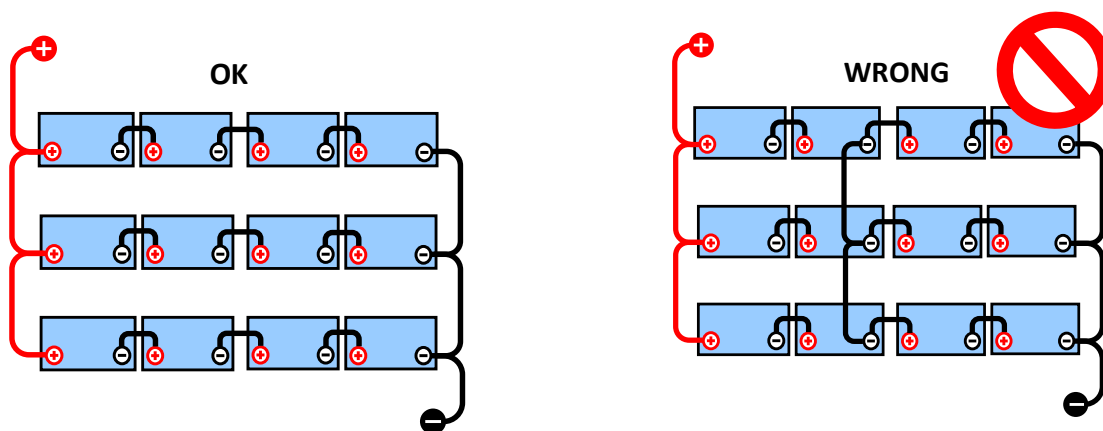


de andra batterierna.

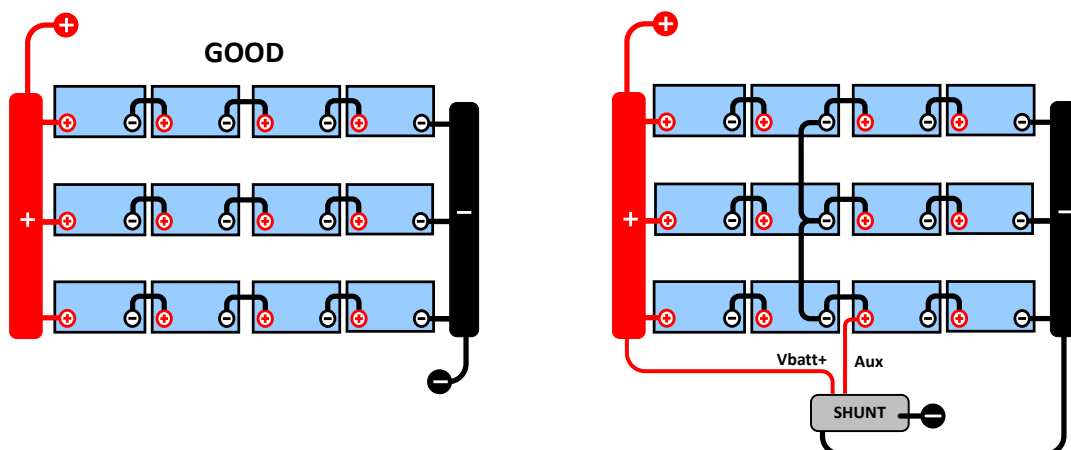
Använd alltid strömskenor vid övervakning av mittzonspänning. Kablarna till strömskenan måste alla vara av samma längd.

Mittzonerna kan endast länkas om korrigeringsåtgärder vidtas i händelse av larm.

9.1.2 Koppling och övervakning av mittzon i en 48 V-batteribank



På grund av spänningsbortfall över de positiva och negativa kablarna är mittzonspänningarna inte identiska.



I en oövervakad batteribank bör inte mittzonerna länkas samman, en dålig batteribank kan missas och skada alla de andra batterierna.

Använd alltid strömskenor vid övervakning av mittzonspänning. Kablarna till strömskenan måste alla vara av samma längd.

Mittzonerna kan endast länkas om korrigeringsåtgärder vidtas i händelse av larm.

9.2 Beräkning av mittzonsavvikelse

SmartShunt mäter mittzonen och beräknar sedan avvikelsen i procent från vad mittzonen borde vara.

$$Deviation = \frac{100 \times (top\ string\ voltage - bottom\ string\ voltage)}{battery\ voltage}$$

$$d = \frac{100 \times (Vt - Vb)}{V}$$

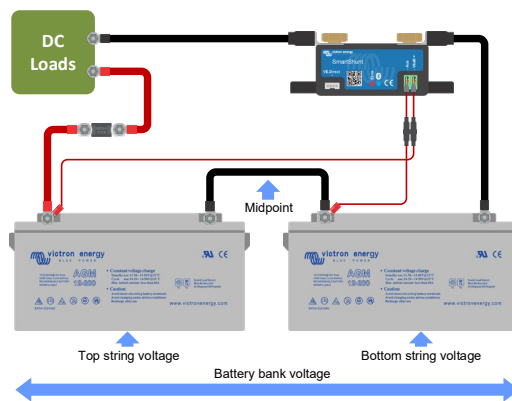
där:

d är avvikelsen i %

V_t är toppsträngsspänningen

V_b är bottensträngsspänningen

V är batteriets spänning ($V = V_t + V_b$)



9.3 Inställning av larmnivå

Vid VRLA (Gel eller AGM) batterier, kommer gasning på grund av överladdning att torka ut elektrolyten, öka det invändiga motståndet och slutligen resultera i oåterkallelig skada. Batterier med plattor, VRLA, börjar förlora vatten när laddningsspänningen närmar sig 15 V (12 V-batteri). Inklusiv en säkerhetsmarginal bör mittzonsavvikelsen därför kvarstå under 2 % under laddning. Vid, exempelvis, laddning av en 24 V-batteribank vid 28,2 V absorptionsspänningen skulle en mittzonsavvikelse på 2 % resultera i:

$$V_t = \frac{V \times d}{100} + V_b = \frac{V \times d}{100} + V - V_t = V \times \frac{1 + \frac{d}{100}}{2}$$

Därför:

$$V_t = V \times \frac{1 + \frac{d}{100}}{2} \quad \text{and} \quad V_b = V \times \frac{1 - \frac{d}{100}}{2}$$

$$V_t = 28.8 \times \frac{1 + \frac{2}{100}}{2} \approx 14.7 \quad \text{and} \quad V_b = 28.8 \times \frac{1 - \frac{2}{100}}{2} \approx 14.1$$

Uppenbarligen resulterar en mittzonsavvikelse på mer än 2 % i en överladdning av toppbatteriet och en underladdning av bottenbatteriet. Detta är två goda skäl för att ställa in nivån på mittzonslarmet på mer än $d=2$ %. Samma procentsats kan tillämpas på en 12 V-batteribank med en 6V mittzon.

I fallet med en 48 V-batteribank, bestående av 12 V seriekopplade batterier, är den procentuella inverkan från ett batteri på mittzonen reducerad till hälften. Larmnivån på mittzonen kan därför ställas in på en lägre nivå.

9.4 Larmfördröjning

För att förhindra att larm utlöses på grund av korta avvikelser som inte skadar batteriet måste avvikelserna överskrida det inställda värdet under 5 minuter innan larmet utlöses. En avvikelse, som överskrider det inställda värdet med en faktor på två eller mer, kommer att utlösa larmet efter 10 sekunder.

9.5 Vad ska man göra om ett larm inträffar under laddning?

Om det gäller en ny batteribank:

Larmet beror oftast på skillnader i den ursprungliga laddningsstatusen på det enskilda batteriet. Om avvikelserna ökar till över 3 % måste du sluta ladda batteribanken och ladda de enskilda batterierna eller cellerna separat. Ett annat sätt är att markant minska laddningsströmmen till batteribanken, detta låter batterierna jämnas ut sig med tiden.

Gör följande om problemet kvarstår efter flera laddnings-URLaddningscykler:

- I händelse av serie/parallell koppling, koppla ifrån parallellanslutningen i mittzonen och mät den enskilda mittzonsspänningen under absorptionsladdning för att isolera batterier eller celler som är i behov av ytterligare laddning.
- Ladda och testa sedan alla batterier eller celler individuellt.

Om det gäller en äldre batteribank som har fungerat bra tidigare:
kan problemet bero på systematiskt underladdning. I så fall krävs en mer frekvent laddning eller en utjämningsladdning. Tänk på att endast vätskefyllda djupcyklade plattcells- eller OPzS-batterier kan utjämnas. Bättre och regelbunden laddning kommer att lösa problemet.

Om det finns en eller flera trasiga celler:

- I händelse av serie/parallell koppling, koppla ifrån parallellanslutningen i mittzonen och mät den enskilda mittzonsspänningen under absorptionsladdning för att isolera batterier eller celler som är i behov av ytterligare laddning.
- Ladda och testa sedan alla batterier eller celler individuellt.

9.6 Vad gör man om larm inträffar under urladdning?

Enskilda batterier eller celler i en batteribank är inte identiska och när det är total urladdning av en batteribank kommer spänningen i vissa celler att börja sjunka tidigare än andra. Mittzonslarmet kommer därför nästa alltid att utlösas i slutet av den djup urladdning.

Om mittzonslarmet utlöses mycket tidigare (och utlöses inte under laddning) kan vissa batterier eller celler ha förlorat i kapacitet eller kan de ha utvecklat ett högre invändigt motstånd än andra. Batteribanken kan ha nått slutet på sin livslängd eller så har en eller flera celler eller batterier utvecklat ett fel.

- I händelse av serie/parallell koppling, koppla ifrån parallellanslutningen i mittzonen och mät den enskilda mittzonsspänningen under urladdning för att isolera felaktiga batterier eller celler.
- Ladda och testa sedan alla batterier eller celler individuellt.

9.7 Battery Balancer

Man kan överväga att lägga till en Battery Balancer (balanseringsenhet) till systemet. Balanseringsenheten utjämnar laddningsstatusen hos två seriekopplade 12 V-batterier eller hos flera rader av seriekopplade batterier.

När laddningsspänningen för ett 24 V-batterisystem ökar till mer än 27,3 V kommer balanseringsenheten att startas och jämföra spänningen över de två seriekopplade batterierna. Balanseringsenheten kommer att dra en ström på upp till 0,7 A från batteriet (eller de parallellkopplade batterierna) med den högsta spänningen. Den resulterande laddningsströmsdifferentialen kommer att säkerställa att batterierna kommer att sträva mot samma laddningsstatus. Vid behov kan flera balanseringsenheter parallellkopplas.

En 48 V-batteribank kan balanseras med tre balanseringsenheter, en mellan varje batteri.

För mer information, se informationsbladet om Battery Balancer på produktsidan:

<https://www.victronenergy.com.au/batteries/battery-balancer>

10 FELSÖKNING

10.1 Funktionsfel

10.1.1 Enheten är död, inga lampor tänds

När SmartShunt ansluts för första gången borde den blå LED-lampan blinka. Om så inte är fallet bör du kontrollera säkringen i Vbatt+-kabeln och även själva kabeln och dess terminaler.

Kom ihåg att den blå LED-lampan på SmartShunt kan vara avstängd om Bluetooth är avaktiverad. SmartShunt verkar död. Se avsnitt 10.2.1: "Cannot connect via Bluetooth" för instruktioner om hur felet kan åtgärdas.

Om temperatursensorn används:

- Temperatursensorn (när den används) måste anslutas till den positiva polen i batteribanken (sensorns röda kabel fungerar som matningsledning).
- Kontrollera säkringen i den positiva (röda) kabeln.
- Se till att rätt temperatursensor används. Temperatursensorn för MultiPlus fungerar inte med SmartShunt.
- Kontrollera att temperatursensorn har kopplats på rätt sätt. Den röda kabeln ska kopplas till Vbatt+-terminal på SmartShunt och den svarta kabeln ska kopplas till extraingången Aux.

Se avsnitt 3.4.3: "Aux connection for temperature monitoring", för anslutningsinstruktioner och kopplingschema.

10.1.2 Extraingången Aux fungerar inte

Kontrollera säkringen i Aux-kabeln och kontrollera även själva kabeln och dess terminaler.

Om startbatteriet är i bruk: se till att båda batteribankerna har en gemensam negativ. Se avsnitt 3.4.1: "Aux connection for monitoring the voltage of a second battery" för anslutningsinstruktioner och kopplingschema.

Om temperatursensorn används:

- Temperatursensorn (när den används) måste anslutas till den positiva polen i batteribanken (sensorns röda kabel fungerar som matningsledning).
- Kontrollera säkringen i den positiva (röda) kabeln.
- Se till att rätt temperatursensor används. Temperatursensorn för MultiPlus fungerar inte med SmartShunt.
- Kontrollera att temperatursensorn har kopplats på rätt sätt. Den röda kabeln ska kopplas till Vbatt+-terminal på SmartShunt och den svarta kabeln ska kopplas till extraingången Aux.

Se avsnitt 3.4.3: "Aux connection for temperature monitoring/övervakning" för anslutningsinstruktioner och kopplingschema.

10.1.3 Kan inte ändra inställningar

Inställningarna kan endast ändras om SmartShunten körs med den senaste fasta programvaran. Uppdatera till den senaste fasta programvaran med appen VictronConnect.

10.2 Anslutningsproblem

10.2.1 Kan inte ansluta via Bluetooth

Det är högst osannolikt att SmartShuntens Bluetooth-gränssnitt är defekt. Några saker att prova innan du kontaktar supporten:

- Är SmartShunten försedd med ström? Den blå lampan ska blinka. Om den blå lampan inte blinkar, se avsnitt 10.1.1: "Unit is dead, no lights on".
- Är en annan telefon eller surfplatta redan ansluten till SmartShunt? Detta visas genom att den blå lampan lyser konstant. Endast en telefon eller surfplatta åt gången kan anslutas till SmartShunt. Säkerställ att inga andra enheter är anslutna och försök igen.
- Är appen VictronConnect uppdaterad?
- Är du tillräckligt nära SmartShunten? På en öppen plats är det högsta avståndet 20 meter.

- Använder du Windows-versionen av appen VictronConnect? Den versionen stöder inte Bluetooth. Använd Android, iOS eller MacOS istället (eller använd USB - VE.Direct-gränssnittet).
- Är Bluetooth inaktiv i inställningarna? Se avsnitt 7.5.5: "Disabling and re-enabling Bluetooth".

För anslutningsproblem, se avsnittet om felsökning i handboken för VictronConnect:

<https://www.victronenergy.com/live/victronconnect:start>

10.2.2 Förlorad pinkod

Om du har tappat bort pinkoden måste du återställa den till den ursprungliga pinkoden, se avsnitt 7.5.4 "Changing PIN code".

Du hittar mer information och specifika instruktioner i handboken för VictronConnect:

<https://www.victronenergy.com/live/victronconnect:start>

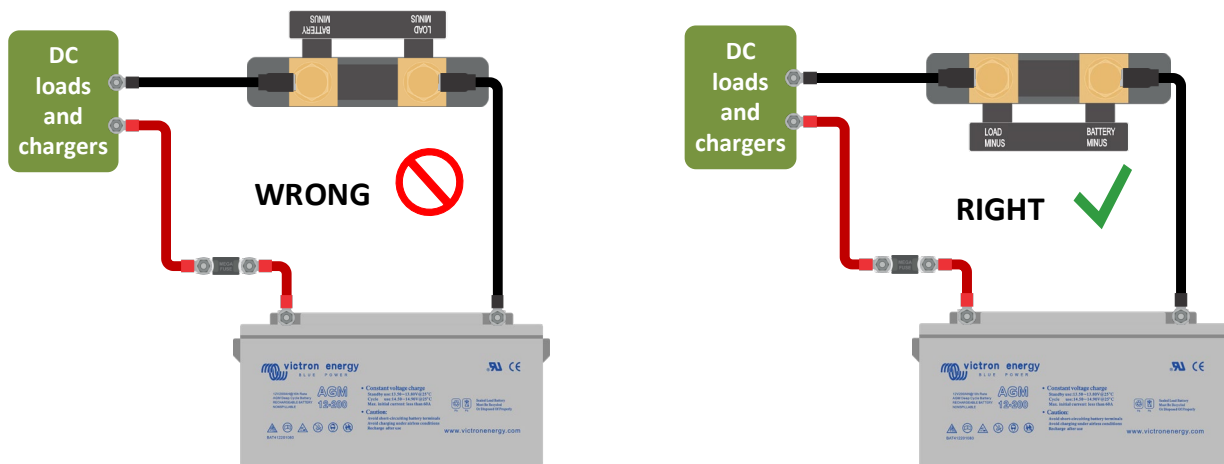
10.3 Felaktiga avläsningar

10.3.1 Laddnings- och urladdningsströmmarna är omkastade

Laddningsström bör visas som ett positivt värde. Till exempel: 1.45 A.

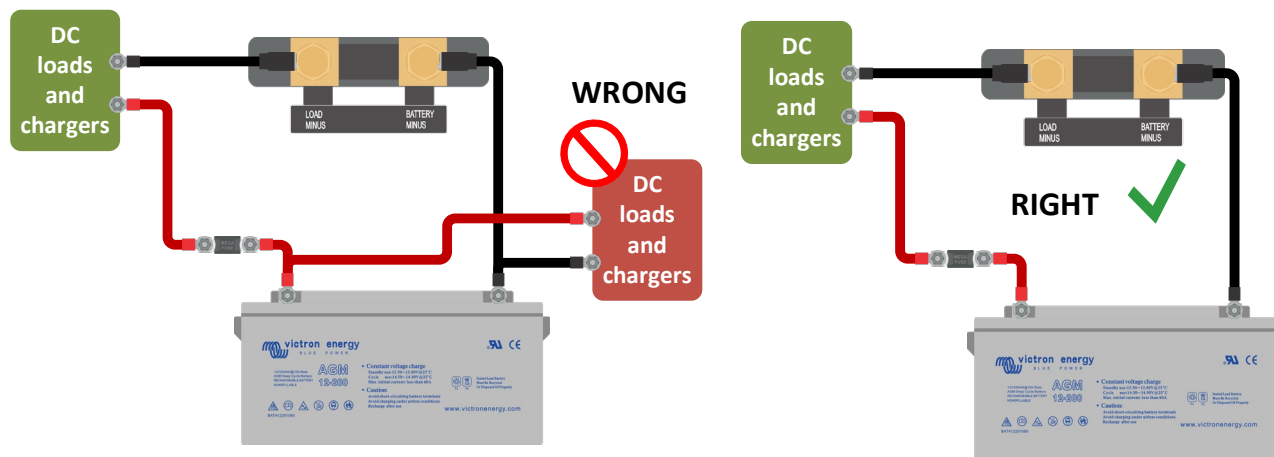
Urladdningsströmmen bör visas som ett negativt värde. Till exempel: -1.45 A.

Om laddnings- och urladdningsströmmarna är omkastade måste de negativa kablarna på shunten växlas. Se avsnitt 3.3: "Basic electrical connections".



10.3.2 Ofullständig strömavläsning

Den negativa polen på alla belastningar och på alla laddningskällor i systemet måste kopplas till den negativa belastningssidan på SmartShunten. Om den negativa polen på belastningar eller laddningskällor kopplas direkt till den negativa batteriterminalen kommer inte strömmen från dessa belastningar eller laddningskällor att flyta igenom SmartShunt och kommer inte tas med i strömavläsningen och därmed inte heller i avläsningen för laddningsstatus. SmartShunt kommer att visa en högre laddningsstatus än batteriets verkliga status.



10.3.3 Det finns en strömavläsning men ingen ström flyter

Utför en nollströmskalibrering när alla belastningar är avstängda (avsnitt 7.1.13) eller ställ in en strömtröskel (avsnitt 7.1.8).

10.3.4 Felaktig avläsning av laddningsstatus

Felaktig laddningsstatus på grund av ett synkroniseringsfel

Laddningsstatusen är ett beräknat värde och måste återställas (synkroniseras) lite då och då. Följande parametrar kan påverka beräkningen av laddningsstatus om de är felaktigt inställda:

- Batterikapacitet
- Laddad spänning och svansström
- Peukert-exponent och faktor för laddningsverkningsgrad
- Inställningar för laddningsstatus och synkronisering

För mer information om dessa parametrar, se avsnitt 7.1: "Battery settings".

Se även nästa avsnitt **¡Error! No se encuentra el origen de la referencia.:** "¡Error! No se encuentra el origen de la referencia."

Felaktig laddningsstatus på grund av felaktig strömavläsning

Laddningsstatusen beräknas genom att titta på hur mycket ström som flyter in och ut ur batteriet. Om avläsningen är felaktig blir även laddningsstatusen felaktig. Se avsnitt **¡Error! No se encuentra el origen de la referencia.:** "¡Error! No se encuentra el origen de la referencia."

10.3.5 Laddningsstatus indikerar tre streck "---"

Detta betyder att SmartShunt inte är synkroniserad. Det sker oftast när SmartShunt nyligen har installerats eller efter att SmartShunt har varit utan ström och sedan försetts med ström igen. Ladda batterierna och SmartShunt borde synkroniseras automatiskt. Om detta inte fungerar, se över synkroniseringsinställningarna, se avsnitt 5.3: "Synchronising the SmartShunt".

Om du vet att batteriet är fulladdat men du vill inte vänta till SmartShunt synkroniserar, tryck på knappen synkronisera SoC till 100 %, se avsnitt 7.1.12: "Synchronise SoC to 100%".

10.3.6 Laddningsstatusen uppnår inte 100 %

SmartShunten synkroniserar och återställer laddningsstatusen till 100 % så fort som batteriet har blivit fulladdat. Ladda upp batteriet och kontrollera om SmartShunt korrekt känner av att batteriet är fulladdat. Om SmartShunt

inte känner av att batteriet har laddats måste du kontrollera eller justera inställningarna för laddad spänning, svansström och/eller laddad tid. För mer information, se avsnitt 5.3.1: "Automatic synchronisation".

Laddningsstatusen ökar inte snabbt nog när den laddar

Kontrollera om batteriets kapacitet har ställts in korrekt. Se avsnitt 7.1.1: "Battery capacity".

Laddningsstatusen visar alltid 100 %

En anledning kan vara att SmartShuntens negativa kablar är felkopplade, se avsnitt **¡Error! No se encuentra el origen de la referencia.:** "**¡Error! No se encuentra el origen de la referencia.**".

10.3.7 Felaktig spänningsavläsning

Huvudbatteriets spänning är för låg

Problem med Vbatt+-kabeln, kanske säkringen, kabeln i sig eller någon av terminalerna är trasig eller sitter löst.

Felaktig koppling: Vbatt+-kabeln måste kopplas till batteribankens positiva pol, inte på mitten av batteribanken.

Om en temperatursensor används, se till att sensorn är kopplad till batteribankens positiva pol, inte på mitten av batteribanken.

Startbatteriets spänning är för låg

Problem med Aux-kabeln, kanske säkringen, kabeln i sig eller någon av terminalerna är trasig eller sitter löst.

Startbatterispänning saknas

Säkerställ att båda batterierna delar en gemensam negativ. För instruktioner om hur man ska koppla startbatteriet, se avsnitt 3.4.1: "Aux connection for monitoring the voltage of a second battery".

10.3.8 Synkroniseringsproblem

SmartShunt synkroniserar inte automatiskt

En möjlighet är att batteriet aldrig når fulladdat tillstånd. Ladda upp batteriet och se om laddningsstatusen så småningom ändras till 100 %.

En annan möjlighet är att inställd laddad spänning bör sänkas och/eller att svansströmmen bör ökas. Se avsnitt 5.3: "Synchronising the SmartShunt".

SmartShunt synkroniserar för tidigt

Detta kan inträffa i solcellssystem eller andra tillämpningar med fluktuerande laddningsström. Vidta följande åtgärd för att minska risken att SmartShunt ställer in laddningsstatusen till 100 % för tidigt.

- Öka den "laddade" spänningen till knappt under absorptionsladdningsspänningen. Till exempel: 14,2 V vid 14,4 V absorptionsspänning (för ett 12 V-batteri).
- Öka "laddningsavkänningstiden" och/eller minska svansströmmen för att förebygga en för tidig återställning på grund av passerande moln.
- Se avsnitt 5.3: "Synchronising the SmartShunt".

Laddningsstatusen indikerar tre streck "---":

Detta betyder att SmartShunt inte är synkroniserad. Detta inträffar oftast när SmartShunt nyligen har installerats eller efter att SmartShunt har varit strömlös och förses med ström igen. Ladda batterierna och SmartShunt borde synkroniseras automatiskt. Om detta inte fungerar, se över synkroniseringsinställningarna, se avsnitt 5.3: "Synchronising the SmartShunt".

Om du vet att batteriet är fulladdat men inte vill vänta tills SmartShunt synkroniserar kan du trycka på knappen Synkronisera SoC till 100 %, se avsnitt 7.1.12: "Synchronise SoC to 100%".

11 TEKNISKA DATA

SmartShunt	500 A/ 1000 A/ 2000 A
Nätspänningsintervall	6,5 - 70 VDC
Strömförbrukning	<1 mA
Inmatningsspänningsintervall, hjälpbatteri	6,5 - 70 VDC
Batterikapacitet (Ah)	1 - 9999 Ah
Drifttemperaturintervall	-40 +50 °C (-40 - 120 °F)
Mäter spänning i andra batteriet, temperatur* eller mittzon	Ja
Temperaturmättningsintervall*	-20~+50 °C
VE.Direct kommunikationsport	Ja
UPPLÖSNING OCH PRECISION	
Ström	± 0.1 A
Spänning	± 0.01 V
Amperetimmar	± 0.1 Ah
Laddningsstatus (0 – 100 %)	± 0.1 %
Återstående tid	± 1 min
Temperatur (0 - 50 °C)	± 1 °C/°F
Precision för strömmätningen	± 0,4%
Offset	Lägre än 10/ 20/ 40 mA
Noggrannhet i spänningsmätningen	± 0.3%
INSTALLATION & DIMENSIONER	
Dimensioner (h x b x d)	500 A. 46 x 120 x 54 mm 1000 A. 68 x 120 x 54 mm 2000 A. 68 x 120 x 76 mm
Skyddsklass	IP21
STANDARDER	
Säkerhet	EN 60335-1
Emission / Immunitet	EN-IEC 61000-6-1 EN-IEC 61000-6-2 EN-IEC 61000-6-3
Automotiv	EN 50498
Kablar (ingår)	Två kablar med säkring för '+-' och Aux-anslutning
Temperatursensor	Tillval (ASS000100000)

*Endast när tillvalet temperatursensor är ansluten, temperatursensor ingår ej

Indice dei Contenuti

1	Misure di sicurezza	4
1.1	Avvertenze di sicurezza per la batteria	4
1.2	Trasporto e magazzinaggio	4
2	Introduzione	5
2.1	SmartShunt	5
2.2	Perché è importante controllare la batteria?	5
2.3	Dimensioni	5
2.4	VictronConnect	5
2.5	Accessori	5
3	Installazione	6
3.1	Cosa contiene la confezione?	6
3.2	Montaggio	6
3.3	Connessioni elettriche di base	6
3.3.1	Collegamento del polo negativo della batteria	6
3.3.2	Collegamento del polo negativo del carico	6
3.3.3	Collegamento Vbatt+	6
3.4	Connessioni elettriche ausiliari	7
3.4.1	Connessione ausiliare per monitorare la tensione di una seconda batteria	7
3.4.2	Connessione ausiliare per monitorare il punto medio di un banco batterie	7
3.4.3	Connessione ausiliare per monitorare la temperatura	8
3.5	Collegamento del dispositivo GX	8
4	Messa in servizio	9
4.1	Download e installazione di VictronConnect	9
4.2	Posizionamento del fusibile	9
4.3	Collegamento allo SmartShunt	9
4.4	Aggiornamento del firmware	9
4.5	Impostazioni essenziali	9
4.5.1	Configurazione dell'impostazione capacità della batteria	10
4.5.2	Configurazione dell'impostazione tensione caricata	10
4.5.3	Impostazioni stato della carica	10
4.5.4	Configurazione della funzione entrata ausiliare	10
4.6	Configurazione delle impostazioni Litio (se necessarie)	11
5	Funzionamento	12
5.1	Come funziona lo SmartShunt?	12
5.2	Panoramica delle letture	12
5.3	Sincronizzazione dello SmartShunt	13
5.3.1	Sincronizzazione automatica	13
5.3.2	Sincronizzazione manuale	14
5.4	Allarmi	14
5.5	Dati cronologia	14

5.6	Tendenze	15
5.7	Codici dei LED indicatori di stato	15
6	Interfacce	16
6.1	VictronConnect tramite USB	16
6.2	Collegamento a un dispositivo GX e al VRM	16
6.3	Collegamento alla rete VE.Smart	17
6.4	Integrazione personalizzata (mediante programmazione).....	17
7	Tutte le funzioni e le impostazioni	18
7.1	Impostazioni batteria.....	18
7.1.1	Capacità della batteria.....	18
7.1.2	Tensione caricata.....	18
7.1.3	Soglia di scarica	18
7.1.4	Corrente di coda.....	18
7.1.5	Tempo di rilevamento batteria carica	19
7.1.6	Coefficiente Peukert.....	19
7.1.7	Fattore di efficienza di carica	19
7.1.8	Soglia corrente.....	19
7.1.9	Periodo medio rimanente di autonomia.....	19
7.1.10	Avvio sincronizzato batteria	20
7.1.11	Stato della carica.....	20
7.1.12	Sincronizza SoC al 100%	20
7.1.13	Calibrazione della corrente zero	20
7.2	Impostazioni allarmi	20
7.2.1	Impostazioni allarmi SoC.....	21
7.2.2	Allarme bassa tensione	21
7.2.3	Allarme alta tensione.....	21
7.2.4	Allarme bassa tensione batteria di avviamento	21
7.2.5	Allarme alta tensione batteria di avviamento.....	22
7.2.6	Allarme deviazione punto medio.....	22
7.2.7	Allarme temperatura alta	22
7.2.8	Allarme temperatura bassa.....	22
7.3	Impostazioni varie.....	23
7.3.1	Entrata ausiliaria	23
7.3.2	Coefficiente temperatura	23
7.4	Impostazione unità della temperatura.....	23
7.5	Impostazioni prodotto.....	23
7.5.1	Reimposta ai valori predefiniti.....	23
7.5.2	Nome personalizzato.....	23
7.5.3	Firmware.....	24
7.5.4	Cambio codice PIN	24
7.5.5	Attivazione e disattivazione del Bluetooth	24

7.5.6	Numero di serie.....	24
7.6	Salvataggio, caricamento e condivisione delle impostazioni	24
7.7	Ripristino cronologia	25
7.8	Ripristina codice PIN.....	25
8	Capacità della batteria e coefficiente Peukert	26
9	Monitoraggio della tensione del punto medio	27
9.1	Schemi di cablaggio del banco batterie e del punto medio.....	27
9.1.1	Connessione e monitoraggio del punto medio in un banco batterie da 24 V.....	27
9.1.2	Connessione e monitoraggio del punto medio in un banco batterie da 48V.....	28
9.2	Calcolo della deviazione del punto medio.....	28
9.3	Impostazione del livello di allarme	29
9.4	Ritardo dell'allarme	29
9.5	Cosa fare in caso di allarme durante la carica	29
9.6	Cosa fare in caso di allarme durante la scarica	30
9.7	Il Battery Balancer	30
10	Risoluzione dei problemi.....	31
10.1	Problemi di funzionalità	31
10.1.1	L'unità non risponde, non ci sono luci accese	31
10.1.2	La porta ausiliare non funziona.....	31
10.1.3	Non si possono cambiare le impostazioni	31
10.2	Problemi di connessione	31
10.2.1	Non è possibile collegarsi tramite Bluetooth.....	31
10.2.2	Codice PIN perso	32
10.3	Lecture erronee	32
10.3.1	La corrente di carica e scarica è stata invertita	32
10.3.2	Lettura incompleta della corrente.....	33
10.3.3	Appare una lettura della corrente ma non c'è flusso di corrente	33
10.3.4	Lettura erronea dello stato della carica	33
10.3.5	Lo stato della carica indica tre lineette "---"	33
10.3.6	Lo stato della carica non raggiunge il 100%.....	33
10.3.7	Lettura tensione erronea	34
10.3.8	Problemi di sincronizzazione	34
11	Dati tecnici	35

1 MISURE DI SICUREZZA

1.1 Avvertenze di sicurezza per la batteria



Lavorare in prossimità di una batteria piombo-acido è pericoloso. Durante il funzionamento, le batterie possono generare gas esplosivi. Non fumare né generare scintille o fiamme in prossimità di una batteria. Garantire una ventilazione adeguata intorno alla batteria.



Indossare occhiali e indumenti protettivi. Evitare di toccarsi gli occhi mentre si lavora vicino alle batterie. Lavarsi le mani al termine dell'operazione.



Se l'acido della batteria entra in contatto con la pelle o con gli indumenti, lavare immediatamente con acqua e sapone. Se l'acido entra in contatto con gli occhi, sciacquarli immediatamente con acqua corrente fredda per almeno 15 minuti e rivolgersi subito al medico.



Prestare attenzione quando si usano attrezzi metallici in prossimità di batterie. La caduta di un attrezzo metallico su una batteria potrebbe causarne il cortocircuito ed eventualmente l'esplosione.



Non indossare oggetti metallici come anelli, bracciali, collane e orologi quando si lavora con una batteria. Una batteria può produrre una corrente di cortocircuito sufficiente a provocare la fusione di tali oggetti, causando gravi ustioni.

1.2 Trasporto e magazzinaggio

Stoccare lo SmartShunt in un ambiente asciutto.

La temperatura di magazzinaggio deve essere: da -40°C a +60°C.

2 INTRODUZIONE

2.1 SmartShunt

Lo SmartShunt è un monitor della batteria. Misura la tensione e la corrente della batteria. In base a tali misurazioni, calcola lo stato della carica, il tempo rimanente e tiene traccia della cronologia dei dati, come la scarica massima, la scarica media e il numero di cicli.

Lo SmartShunt si collega tramite Bluetooth alla [App VictronConnect](#). La App VictronConnect si utilizza per leggere tutti i parametri delle batterie monitorate ed anche per stabilire o cambiare le impostazioni. In alternativa, lo SmartShunt si può collegare a un [dispositivo GX](#), come il ColorControl GX o il Cerbo GX.

Lo SmartShunt possiede un'entrata ausiliare che si può usare per monitorare la tensione di una seconda batteria o per monitorare il punto medio di un banco batterie. L'entrata ausiliare si può utilizzare anche per monitorare la temperatura della batteria assieme al [Sensore della temperatura del BMV](#), che è opzionale.

2.2 Perché è importante controllare la batteria?

Le batterie sono utilizzate in diverse applicazioni, in particolare per immagazzinare energia per un uso successivo. Ma quanta energia è immagazzinata nella batteria? Impossibile dirlo semplicemente guardandola. La vita utile delle batterie dipende da molti fattori. La durata delle batterie si può ridurre a causa di cariche insufficienti o eccessive, scariche eccessive, correnti di carica o di scarica eccessive e a causa di una temperatura ambiente troppo elevata. Il monitoraggio della batteria mediante un dispositivo di controllo d'avanguardia fornisce all'utente un importante riscontro, che gli permette, se necessario, di mettere in pratica le opportune misure correttive. Ciò allungherà la vita utile della batteria e lo SmartShunt sarà presto ammortizzato.

2.3 Dimensioni

Lo SmartShunt è disponibile in 3 dimensioni: 500 A, 1000 A e 2000 A.

2.4 VictronConnect

VictronConnect è una App gratuita ed è disponibile per Android, iOS, MacOS o Windows.

Si può scaricare dai rispettivi negozi di App o dalla nostra pagina di download. VictronConnect è necessaria per configurare e leggere lo SmartShunt.

2.5 Accessori

In base alla vostra configurazione, potrebbero essere necessari questi elementi:

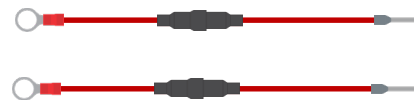
- Sensore temperatura per BMV.
- Interfaccia VE.Direct a USB.
- Dispositivo GX.
- Cavo VE.Direct.

3 INSTALLAZIONE

3.1 Cosa contiene la confezione?

Nella confezione troverete le seguenti parti:

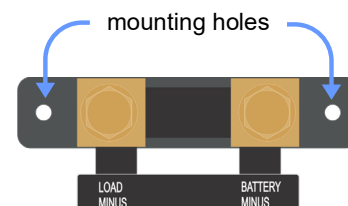
- SmartShunt 500 A, 1000 A o 2000 A.
- Due cavi rossi, entrambi provvisti di fusibile.



3.2 Montaggio

Lo SmartShunt è dotato di due fori da 5.5 mm per il montaggio, siti sulla sua base. I fori si possono usare per avvitare o imbullonare lo SmartShunt su una superficie dura (le viti non sono comprese).

Lo SmartShunt possiede una qualifica IP21. Ciò significa che non è impermeabile e deve essere montato in un luogo asciutto.



3.3 Connessioni elettriche di base

Lo SmartShunt possiede 3 connessioni essenziali e una opzionale. Questo capitolo descrive come collegarle.

3.3.1 Collegamento del polo negativo della batteria

Collegare il polo negativo della batteria al bullone M10 sul lato “POLO NEGATIVO BATTERIA” dello SmartShunt.

3.3.2 Collegamento del polo negativo del carico

Collegare il polo negativo dell'impianto elettrico al bullone M10 sul lato “POLO NEGATIVO CARICO” dello SmartShunt. Assicurarsi che il polo negativo di tutti i carichi CC e delle sorgenti di carica sia collegato “dopo” lo SmartShunt.

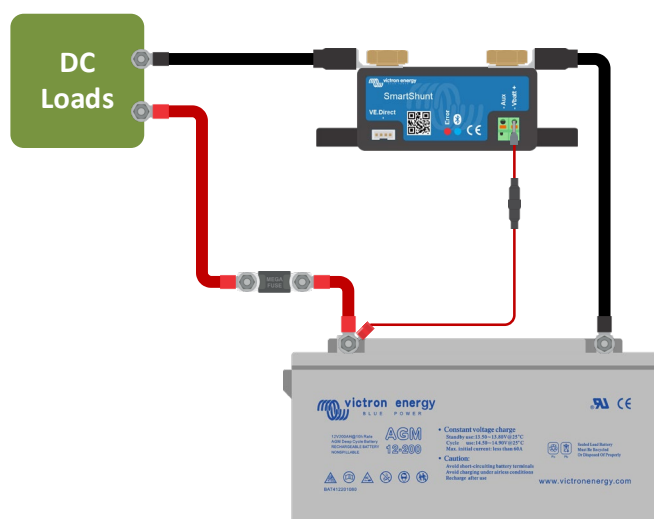
3.3.3 Collegamento Vbatt+

Collegare il morsetto M8 del cavo rosso con fusibile al morsetto positivo della batteria.

Collegare il pin a ghiera del cavo rosso con fusibile allo SmartShunt, inserendo il pin nel morsetto “Vbatt+”.

Non appena il fusibile sia posizionato nel cavo, il Bluetooth dello SmartShunt inizierà a lampeggiare. Lo SmartShunt è ora attivo. Il passo successivo è quello di configurarlo mediante la App VictronConnect. Tale procedimento è spiegato nel capitolo 4: “Commissioning”.

Se si dovesse usare la porta Aux per monitorare una seconda batteria, il punto medio o la temperatura, vedere i 3 paragrafi successivi per sapere come fare e poi passare al capitolo 4: “Messa in servizio”.



3.4 Connessioni elettriche ausiliari

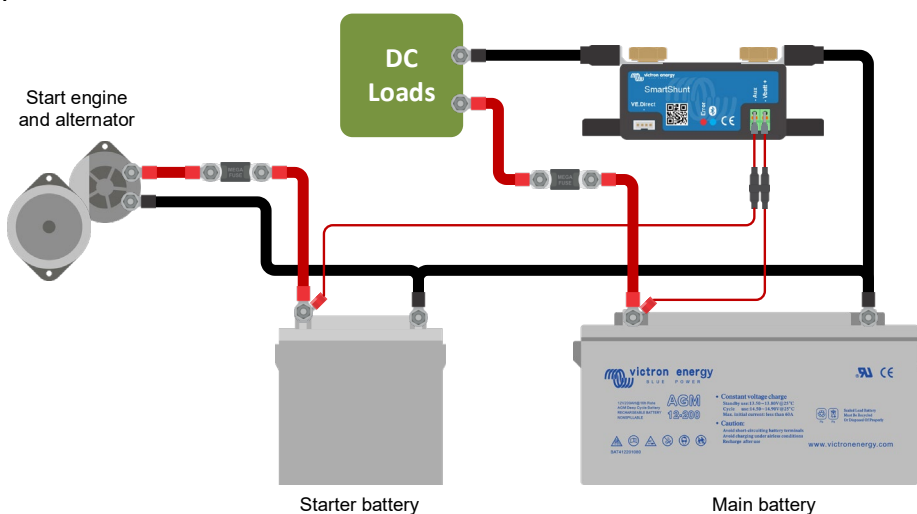
Oltre al controllo complessivo del banco batterie principale, lo SmartShunt può monitorare anche un secondo parametro. Questo può essere la tensione di una seconda batteria (batteria di avviamento), la deviazione del punto medio di un banco batterie o la temperatura della batteria. A tale fine, lo SmartShunt è dotato di una seconda entrata di monitoraggio: l'entrata Aux. Questo capitolo descrive la procedura per cablare l'entrata Aux per tre possibili opzioni di configurazione.

3.4.1 Connessione ausiliare per monitorare la tensione di una seconda batteria

La connessione Aux si può utilizzare per monitorare la tensione di una seconda batteria, come una batteria di avviamento.

Ecco come eseguire i collegamenti:

- Collegare il morsetto M8 del cavo rosso con fusibile al morsetto positivo della seconda batteria.
- Collegare il pin a ghiera del cavo rosso con fusibile allo SmartShunt, inserendo il pin nel morsetto "Aux".
- Assicurarsi che il polo negativo della batteria principale e il polo negativo della seconda batteria siano comuni.

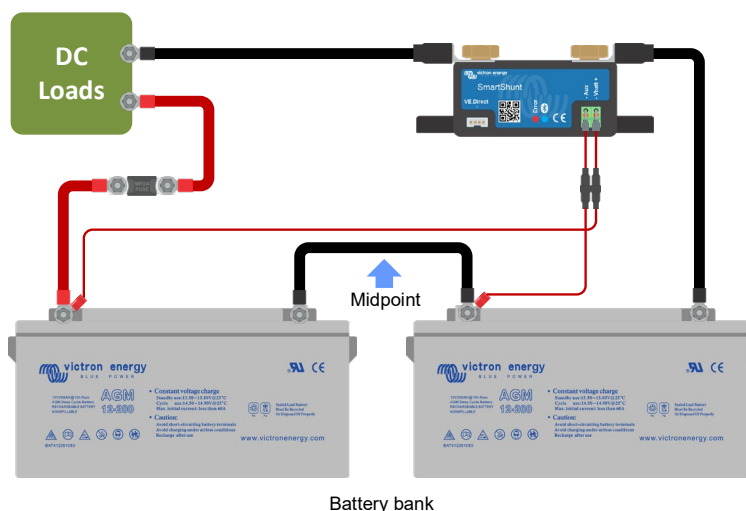


3.4.2 Connessione ausiliare per monitorare il punto medio di un banco batterie

La connessione Aux si può utilizzare per monitorare la tensione del punto medio di un banco batterie, formato da varie batterie cablate in serie per creare un banco batterie da 24 o 48 V.

Ecco come eseguire i collegamenti:

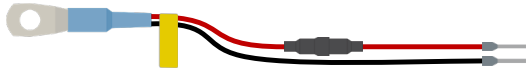
- Collegare il morsetto M8 del cavo rosso con fusibile al morsetto positivo del punto medio.
- Collegare il pin a ghiera del cavo rosso con fusibile allo SmartShunt, inserendo il pin nel morsetto "Aux".



Per ulteriori informazioni riguardo il monitoraggio del punto medio, vedere il capitolo 9. Questo capitolo fornisce anche informazioni e schemi di cablaggio, riguardanti la modalità di monitoraggio del punto medio di banchi batterie cablati in serie/parallelo.

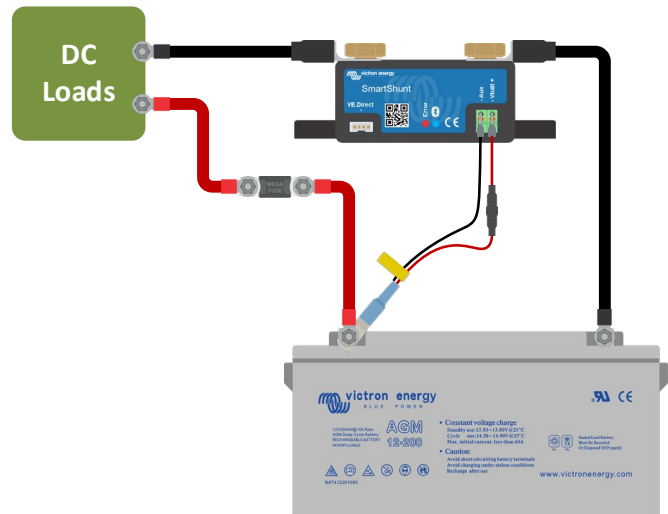
3.4.3 Connessione ausiliare per monitorare la temperatura

La connessione Aux si può utilizzare per monitorare la temperatura di una batteria. Per poter monitorare tale temperatura si dovrà acquistare il “Sensore temperatura per BMV”. È un cavo con sensore di temperatura integrato e numero di serie ASS000100000. Tenere presente che questo sensore di temperatura è diverso dai sensori di temperatura utilizzati per gli inverter/caricabatterie e i caricabatterie di Victron.



Ecco come eseguire i collegamenti:

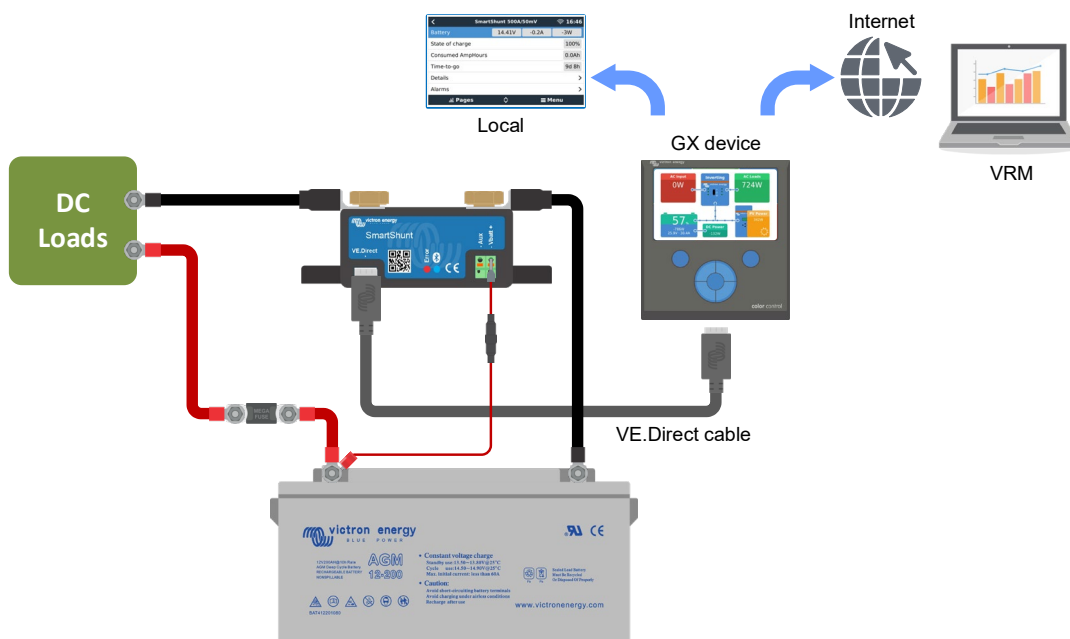
- Collegare l’occhio di fune M8 del sensore di temperatura al morsetto positivo della batteria.
- Collegare il pin a ghiera del cavo rosso (con fusibile) allo SmartShunt, inserendo il pin nel morsetto “Vbatt+”.
- Collegare il pin a ghiera del cavo nero allo SmartShunt, inserendo il pin nel morsetto “Aux”.



Tenere presente che, se si utilizza il sensore di temperatura, non sono necessari i cavi di alimentazione rossi in dotazione con lo SmartShunt. Il sensore di temperatura sostituirà tali cavi.

3.5 Collegamento del dispositivo GX

Se il sistema comprende un dispositivo GX, lo SmartShunt può essere collegato a tale dispositivo mediante un cavo VE.Direct, numero di serie ASS03053xxxx. Dopo averlo collegato, il dispositivo GX si può usare per leggere tutti i parametri monitorati della batteria. Per ulteriori informazioni, vedere capitolo 6.2: “Connecting to a GX device and VRM”.



4 MESSA IN SERVIZIO

Dopo aver eseguito i collegamenti elettrici, lo SmartShunt deve essere configurato. Tale configurazione si effettua mediante la App VictronConnect. Questa App è necessaria per configurare e per leggere lo SmartShunt.

4.1 Download e installazione di VictronConnect

Per poter comunicare e configurare lo SmartShunt, si deve utilizzare la App VictronConnect. VictronConnect è una App gratuita ed è disponibile per Android, iOS, MacOS o Windows. Si può scaricare dai rispettivi negozi di App. Oppure vedere la sezione "Download" del nostro sito web: <https://www.victronenergy.com/support-and-downloads/software>.

4.2 Posizionamento del fusibile

Se non fosse già stato fatto in precedenza, posizionare il fusibile nel cavo Vbatt+. La spia blu del "Bluetooth" dovrebbe iniziare a lampeggiare.

4.3 Collegamento allo SmartShunt

Collegare lo SmartShunt tramite VictronConnect, mediante il Bluetooth. È anche possibile collegarsi allo SmartShunt tramite USB o tramite VRM (Victron Remote Monitoring). Per ulteriori informazioni a tale riguardo, vedere il paragrafo 6: "Interfacing".

Ecco come eseguire il collegamento:

- Aprire la App VictronConnect.
- Cercare lo SmartShunt nell'elenco dispositivi.
- Cliccare su SmartShunt.
- Digitare il codice PIN per difetto, che è 000000.
- Una volta collegati correttamente al "Bluetooth", la spia rimane accesa.

Dopo aver inserito il codice PIN per difetto, VictronConnect richiederà di cambiare tale codice PIN. Ciò serve a prevenire future connessioni non autorizzate. È raccomandabile cambiare il codice PIN durante la prima installazione. Tale cambio si può effettuare nel riquadro di informazioni del prodotto, vedere paragrafo 7.5.4: "Changing PIN code".

Per ulteriori informazioni riguardo VictronConnect, vedere il manuale VictronConnect: <https://www.victronenergy.com/live/victronconnect:start>.

4.4 Aggiornamento del firmware

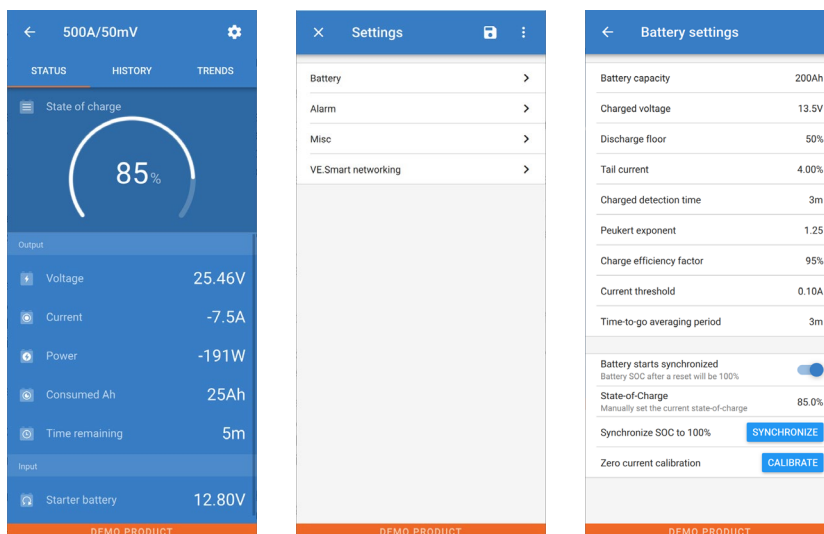
Alla prima connessione, VictronConnect può richiedere di aggiornare il firmware dell'interfaccia Bluetooth e/o dello SmartShunt. Si dovrebbe sempre eseguire tale aggiornamento alla prima installazione. Se il firmware non è aggiornato, non si possono cambiare le impostazioni e sarà attivo solamente il monitoraggio.

4.5 Impostazioni essenziali

Le impostazioni per difetto dello SmartShunt sono fatte su misura per le batterie piombo-acido (batterie a elettrolita liquido, GEL o AGM).

Tenere presente che, nel caso delle batterie al litio o con diverse composizioni chimiche, si devono cambiare vari altri parametri aggiuntivi. Per prima cosa, configurare i parametri essenziali come descritto in questo paragrafo e poi vedere il paragrafo successivo per le impostazioni speciali delle batterie al litio. Altrimenti, rivolgersi al proprio fornitore di batterie e vedere il paragrafo 7.1: "Battery settings".

Per configurare le impostazioni, navigare nel menù impostazioni cliccando sul pulsante impostazioni ⚙, sito in alto a destra in VictronConnect.



La maggior parte delle impostazioni per difetto possono rimanere tali. Ma ci sono alcune impostazioni che devono essere cambiate. Queste sono:

- Capacità della batteria.
- Tensione caricata.
- Stato di carica o avvio sincronizzazione.
- La funzione uscita ausiliare (se si usa).

Se si volesse sapere il significato delle altre impostazioni, vedere il paragrafo 7.1: “Battery settings”.

4.5.1 Configurazione dell'impostazione capacità della batteria

Questa impostazione si trova in VictronConnect > Impostazioni > Batteria.

Lo SmartShunt è impostato per difetto a 200 Ah. Cambiare questo valore per farlo coincidere con la capacità della batteria. Per ulteriori informazioni riguardo la capacità della batteria, vedere il paragrafo 7.1.1: “Battery capacity”.

4.5.2 Configurazione dell'impostazione tensione caricata

Questa impostazione si trova in VictronConnect > Impostazioni > Batteria.

Lo SmartShunt è impostato per difetto a 0.0 V. Lo SmartShunt non rileva automaticamente la tensione del sistema, come fa il BMV. Si dovrà impostare la “Tensione caricata”.

Questi sono i valori consigliati per la “Tensione caricata”:

Tensione nominale della batteria	Impostazione raccomandata della tensione caricata
12 V	13.2V
24 V	26.4 V
36 V	39.6 V
48 V	52.8 V

Per ulteriori informazioni riguardo la tensione caricata, vedere il paragrafo 7.1.2: “Charged voltage”.

4.5.3 Impostazioni stato della carica

Questa impostazione si trova in VictronConnect > Impostazioni > Batteria.

Quando è alimentato per la prima volta, lo SmartShunt visualizzerà per difetto uno stato di carica del 100%. Se si vuole cambiare questo valore, si può configurare manualmente il valore dello stato di carica. Per ulteriori informazioni, vedere paragrafo 7.1.10: “Battery starts synchronised” e il paragrafo 7.1.11: “State of charge”.

4.5.4 Configurazione della funzione entrata ausiliare

Questa impostazione si trova in VictronConnect > Impostazioni > Varie

Questa impostazione stabilisce la funzione dell'entrata ausiliare, ossia:

- Batteria di avviamento - Monitoraggio della tensione di una seconda batteria.
- Punto medio - Misurazione del punto medio di un banco batterie.
- Temperatura - Misurazione della temperatura della batteria tramite un sensore di temperatura opzionale.

4.6 Configurazione delle impostazioni Litio (se necessarie)

La composizione LiFePO₄ (Litio Ferro Fosfato o LFP) è quella più utilizzata per le batterie Li-ion. Le impostazioni di fabbrica, generalmente, sono applicabili anche alle batterie LFP, tranne queste impostazioni:

- Efficienza di carica.
- Coefficiente Peukert.
- Corrente di coda.

Efficienza di carica

L'efficienza di carica delle batterie al litio è molto più alta di quella delle batterie piombo-acido. Raccomandiamo di impostare l'efficienza di carica su 99%. Per ulteriori informazioni, vedere paragrafo 7.1.7: "Charge efficiency factor".

Coefficiente Peukert

Quando soggette a elevate velocità di scarica, le batterie al litio funzionano molto meglio delle batterie al piombo acido. Impostare il coefficiente Peukert su 1.05, a meno che il fornitore della batteria non consigli altrimenti.

Corrente di coda

Alcuni caricabatterie di batteria al litio smettono di caricare quando la corrente cade al di sotto della soglia impostata. In questo caso, la corrente di coda deve essere più alta.

Soglia di scarica

Questa impostazione si usa per calcolare il "tempo rimanente" ed è impostata per difetto su 50%. Ma le batterie al litio, generalmente, si possono scaricare molto più del 50%. La soglia di scarica si può impostare su un valore compreso fra il 10 e il 20%, a meno che il fornitore della batteria non consigli altrimenti.

Avvertenze importanti

Le batterie al litio sono costose e si possono danneggiare irreparabilmente in seguito a una scarica molto profonda o a una sovraccarica. Si possono verificare danni in seguito a scarica profonda se piccoli carichi scaricano lentamente la batteria quando il sistema non è in uso. Alcuni esempi di tali carichi sono i sistemi di allarme, le correnti di standby dei carichi CC e le perdite di corrente dei caricabatterie o dei regolatori di carica. Una corrente di scarica residuale è particolarmente pericolosa se il sistema è stato scaricato finché si è verificato uno spegnimento dovuto alla bassa tensione della cella. A questo punto, lo stato della carica può essere solo dell'1%. La batteria al litio si danneggerà se una corrente rimanente è estratta dalla batteria. Questo danno può essere irreversibile.

Una corrente residuale di 1 mA, ad esempio, può danneggiare una batteria da 100 Ah se la batteria rimane scarica per oltre 40 giorni (1 mA x 40 giorni = 0,96 Ah).

Lo SmarShunt assorbe < 1 mA da una batteria da 12 V. L'alimentazione positiva, pertanto, si deve interrompere se un sistema con batterie agli ioni di litio rimane inutilizzato per un periodo sufficiente affinché la corrente assorbita dallo SmartShunt scarichi completamente la batteria.

In caso di dubbi riguardo la corrente residuale assorbita, isolare la batteria aprendo l'interruttore della stessa e tirando i/i fusibili/e della batteria o scollegando il polo positivo della batteria quando il sistema non è in uso.

5 FUNZIONAMENTO

5.1 Come funziona lo SmartShunt?

La funzione principale dello SmartShunt è quella di seguire e indicare lo stato della carica di una batteria, per poter sapere quanta carica rimane nella stessa ed evitare una scarica totale inaspettata.

Lo SmartShunt misura costantemente il flusso di corrente in entrata e in uscita della batteria. Nel tempo, l'integrazione di questa corrente, se era una corrente fissa, si riduce alla moltiplicazione della corrente e del tempo e fornisce la quantità netta di Ah aggiunti o rimossi.

Ad esempio: una corrente di scarica di 10 A per 2 ore assorbirà $10 \times 2 = 20$ Ah dalla batteria.

Per complicare le cose, la capacità effettiva di una batteria dipende dalla velocità di scarica, dal coefficiente di Peukert e, in minor misura, dalla temperatura. E per rendere ancor più complicate le cose: quando si carica una batteria, si deve "pompare" più energia nella batteria di quella che si può recuperare durante la scarica successiva. In altre parole: l'efficienza di carica è inferiore al 100%.

Lo SmartShunt prende in considerazione tutti questi fattori al momento di calcolare lo stato della carica.

5.2 Panoramica delle letture

Lo schermo di stato dello SmartShunt visualizza una panoramica dei parametri più importanti:

- Stato della carica.
- Tensione batteria.
- Corrente batteria.
- Potenza.
- Lettura entrata Aux (batteria di avviamento, punto medio o temperatura).

Stato della carica

Questo è lo stato attuale della carica della batteria espresso in percentuale ed è compensato sia dal coefficiente di Peukert che dall'efficienza di carica. Lo stato di carica è il modo migliore per monitorare la batteria.

Una batteria completamente carica mostra un valore pari a 100.0%. Una batteria vuota mostrerà 0.0%.

Tenere presente che, se lo stato della carica mostra tre linee: "---", significa che lo SmartShunt si trova in uno stato di non sincronizzazione. Ciò succede soprattutto quando lo SmartShunt è appena stato installato o quando lo SmartShunt è stato privo di alimentazione e viene alimentato di nuovo. Per ulteriori informazioni, vedere il paragrafo 5.3: "Synchronising the SmartShunt".

Tensione

Indica la tensione nei morsetti della batteria.

Corrente

Rappresenta il flusso di corrente reale della batteria, in ingresso o in uscita. Una corrente negativa indica che tale corrente è estratta dalla batteria. È la corrente necessaria per i carichi CC. Una corrente positiva significa che tale corrente sta entrando nella batteria. Tale corrente proviene da una sorgente di carica. Tenere presente che lo SmartShunt indicherà sempre la corrente totale della batteria, che si ottiene sottraendo la corrente che esce dalla batteria dalla corrente in entrata.

Potenza

La potenza estratta o ricevuta dalla batteria.

Ah consumati

Lo SmartShunt tiene traccia degli Amperora estratti dalla batteria, compensati dall'efficienza.

Esempio: Se una corrente da 12 A viene estratta dalla batteria per un periodo di 3 ore, l'indicazione mostrerà -36.0 Ah ($-12 \times 3 = -36$).

Tenere presente che, se gli Ah consumati mostrano tre linee: "---", significa che lo SmartShunt si trova in uno stato di non sincronizzazione. Ciò succede soprattutto quando lo SmartShunt è appena stato installato o quando lo SmartShunt è stato privo di alimentazione e viene alimentato di nuovo. Per ulteriori informazioni, vedere paragrafo 5.3: "Synchronising the SmartShunt".

Tempo rimanente

Lo SmartShunt stima per quanto tempo la batteria può supportare il presente carico. Questa è la lettura “tempo rimanente” e rappresenta l’attuale tempo rimanente perché la batteria si scarichi fino alla “soglia di scarica” impostata. La soglia di scarica è impostata per difetto al 50%. Per sapere come impostare la soglia di scarica, vedere il paragrafo 7.1.3: “Discharge floor”.

Se il carico vacilla notevolmente, è meglio non fare affidamento su questa lettura, poiché è solo provvisoria e deve essere usata solo come valore guida. Raccomandiamo sempre l’uso della lettura dello stato di carica per controllare con accuratezza la batteria.

Se il “Tempo rimanente” indica tre linee: “---”, significa che lo SmartShunt si trova in uno stato di non sincronizzazione. Ciò succede soprattutto quando lo SmartShunt è appena stato installato o quando lo SmartShunt è stato privo di alimentazione e viene alimentato di nuovo. Per ulteriori informazioni, vedere paragrafo 5.3: “Synchronising the SmartShunt”.

Entrata

È lo stato dell’entrata Aux. In base alla configurazione della porta Aux, apparirà una di queste opzioni:

- **Tensione batteria di avviamento:** Mostra la tensione di una seconda batteria.
- **Temperatura della batteria:** Mostra la temperatura della batteria principale, se si utilizza il sensore di temperatura opzionale.
- **Deviazione della tensione del punto medio:** Mostra la percentuale di deviazione della tensione principale della sezione superiore del banco batterie, comparata con la tensione della sezione inferiore. Per ulteriori informazioni riguardo questa funzione, vedere il capitolo 9. “Midpoint voltage monitoring”.

5.3 Sincronizzazione dello SmartShunt

Per una lettura affidabile, lo stato della carica mostrato dal monitor della batteria deve essere regolarmente sincronizzato con lo stato reale di carica della batteria. Ciò evita l’accumulo dei valori dello “Stato della carica” nel tempo. Una sincronizzazione ripristina lo stato della carica della batteria al 100%.

5.3.1 Sincronizzazione automatica

La sincronizzazione è un processo automatico e si attiva quando la batteria è stata completamente ricaricata. Lo SmartShunt leggerà alcuni parametri per accertarsi che la batteria sia stata completamente ricaricata. Considererà la batteria completamente carica quando la tensione raggiunga un certo valore e la corrente cada al di sotto di un certo valore per un determinato periodo di tempo.

Questi parametri si chiamano:

- **Tensione caricata:** tensione di mantenimento del caricabatterie.
- **Corrente di coda:** percentuale della capacità della batteria.
- **Tempo di rilevamento ricarica:** il tempo espresso in minuti.

Appena si soddisfano questi 3 parametri, lo SmartShunt imposterà il valore dello stato della carica a 100% e, di conseguenza, sincronizzerà tale stato.

Esempio:

Se è presente una batteria da 12 V, lo SmartShunt ripristinerà lo stato di carica della batteria al 100% quando siano stati soddisfatti tutti questi parametri:

- La tensione supera i 13.2V,
- la corrente di carica è inferiore al 4.0% della capacità totale della batteria (ad es., 8 A per una batteria da 200 Ah) e
- sono trascorsi 3 minuti da quando sia la condizione della tensione che quella della corrente sono state soddisfatte.

Se lo SmartShunt non esegue regolarmente la sincronizzazione, il valore dello stato della carica inizierà ad accumularsi nel tempo. Ciò è dovuto alle piccole imprecisioni dello SmartShunt e alla stima del coefficiente Peukert. Quando una batteria è stata completamente ricaricata e il caricabatterie è entrato nella fase di mantenimento, la batteria è piena e lo SmartShunt sincronizzerà automaticamente, impostando il valore dello stato di carica sul 100%.

5.3.2 Sincronizzazione manuale

Se necessario, lo SmartShunt può essere sincronizzato manualmente. A tale fine, premere il pulsante della sincronizzazione, sito nelle impostazioni batteria di VictronConnect.

Una sincronizzazione manuale potrebbe essere necessaria quando lo SmartShunt non sincronizza automaticamente. È necessaria, ad esempio, per la prima installazione o dopo un'interruzione della tensione di alimentazione dello SmartShunt.

La sincronizzazione manuale potrebbe essere necessaria anche quando la batteria non è stata completamente ricaricata o lo SmartShunt non ha rilevato una ricarica completa della batteria perché la tensione caricata, la corrente o il tempo non sono stati configurati correttamente. In tale caso, controllare le impostazioni e assicurarsi che la batteria riceva regolarmente una ricarica completa.

5.4 Allarmi

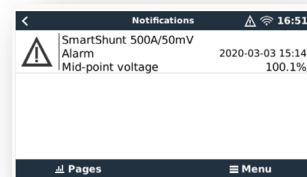
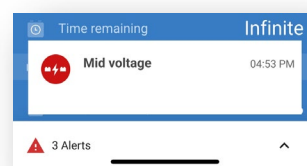
Lo SmartShunt può far scattare un allarme per basso stato della carica, letture della tensione batteria basse o alte, letture della temperatura basse o alte o per una certa deviazione del punto medio. L'allarme si attiverà quando il valore raggiunga la soglia impostata e si disattiverà quando raggiunga il valore di disattivazione di tale soglia.

L'allarme è un software di allarme. Quando ci si collega tramite la App VictronConnect e un allarme è attivo, questo apparirà nella App. Oppure, quando lo SmartShunt è collegato a un dispositivo GX, l'allarme apparirà nello stesso dispositivo GX o nel VRM.

Nel caso della VictronConnect, è possibile confermare il riconoscimento dell'allarme premendo un pulsante.

Mentre per il dispositivo GX, la conferma del riconoscimento dell'allarme avviene quando si vedono le notifiche. Il segnale acustico si interrompe, ma l'icona allarme resta visualizzata fin quando la condizione di allarme non viene superata.

Tenere presente che, diversamente dalla serie di monitor della batteria BMV, lo SmartShunt non possiede un relè di allarme o un cicalino. Se fosse necessaria una funzione relè, collegare lo SmartShunt a un dispositivo GX e utilizzare il relè di tale dispositivo GX, associandolo alla funzione dello SmartShunt.



5.5 Dati cronologia

Lo SmartShunt memorizza la cronologia degli eventi. Tale cronologia si può utilizzare in un momento successivo per valutare le modalità d'uso e la salute della batteria. Si può accedere alla cronologia nella sezione "Cronologia" di VictronConnect.

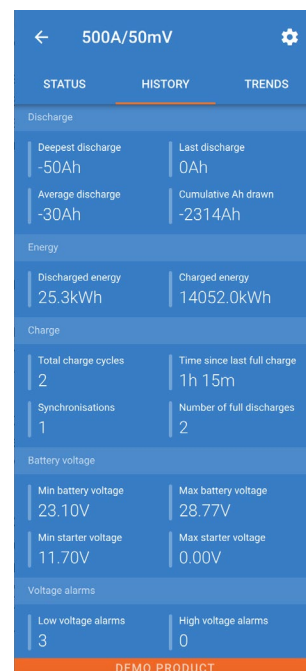
La cronologia dei dati si memorizza in una memoria non volatile e non si perderà quando si interrompe l'alimentazione dello SmartShunt o quando si ripristina ai valori predefiniti lo SmartShunt.

Informazioni di scarica in Ah

- Scarica massima: Lo SmartShunt ricorda la scarica massima e, ogni volta che la batteria viene scaricata al massimo, il vecchio valore sarà sovrascritto.
- Ultima scarica: Lo SmartShunt tiene traccia della scarica durante il ciclo di corrente e mostra il maggior valore registrato per gli Ah consumati dall'ultima sincronizzazione.
- Scarica media: L'assorbimento cumulativo di Ah diviso per il numero totale di cicli.
- Assorbimento cumulativo di Ah: Il numero cumulativo degli amperora assorbiti dalla batteria durante la vita utile dello SmartShunt.

Energia in kWh

- Energia scaricata: È la quantità totale di energia estratta dalla batteria in (k)Wh.
- Energia caricata: È la quantità totale di energia assorbita dalla batteria in (k)Wh.



Carica

- Cicli complessivi di carica: Numero dei cicli di carica durante la vita utile dello SmartShunt. Si conta un ciclo di carica ogni volta che lo stato di carica scende al di sotto del 65% per poi tornare oltre il 90%.
- Tempo trascorso dall'ultima carica completa: Giorni trascorsi dall'ultima carica completa.
- Sincronizzazioni: Numero di sincronizzazioni automatiche. Si conta una sincronizzazione ogni volta che lo stato di carica scende al di sotto del 90% prima che si verifichi una sincronizzazione.
- Numero di scariche complete: Numero delle scariche complete. Quando lo stato di carica raggiunge lo 0% viene contata una scarica completa.

Tensione batteria

- Tensione minima della batteria: La più bassa tensione batteria..
- Tensione massima della batteria: La più alta tensione batteria..
- Tensione minima della batteria di avviamento: La più bassa tensione della batteria ausiliare (se del caso).
- Tensione massima della batteria di avviamento: La più alta tensione della batteria ausiliare (se del caso).

Allarmi tensione

- Allarmi bassa tensione: Numero degli allarmi bassa tensione.
- Allarmi alta tensione: Numero degli allarmi alta tensione.

5.6 Tendenze

La sezione "Tendenze" di VictronConnect consente la registrazione dei dati, ma solo mentre VictronConnect è collegato e in comunicazione con lo SmartShunt. Allo stesso tempo, registrerà anche due dei seguenti parametri: tensione, corrente, Ah consumati dalla potenza o stato della carica.

5.7 Codici dei LED indicatori di stato

Lo SmartShunt possiede due LED: un LED di stato del Bluetooth (blu) e un LED di errore (rosso). Questi LED sono entrambi associati all'interfaccia Bluetooth dello SmartShunt.

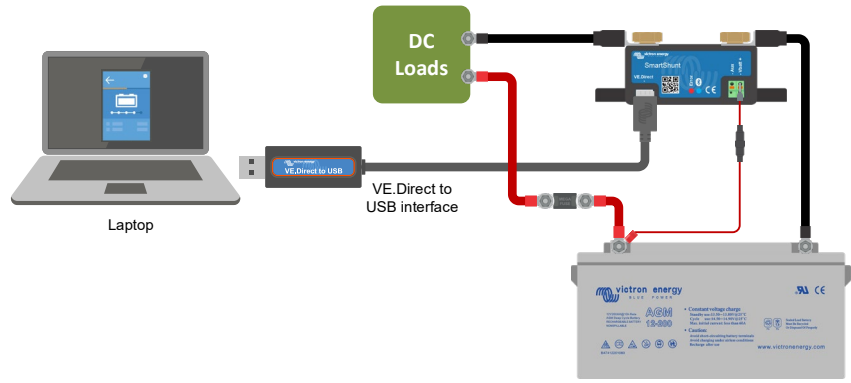
- Al momento dell'accensione, il LED blu lampeggerà e il LED rosso lampeggerà brevemente. Il LED rosso emetterà un breve lampeggiamento per confermare che è attivo.
- Quando il LED blu lampeggia, lo SmartShunt è pronto per essere connesso a VictronConnect.
- Quando il LED blu rimane acceso, lo SmartShunt si è collegato correttamente a VictronConnect tramite Bluetooth.
- Quando i LED blu e rosso lampeggiano alternatamente, il firmware dello SmartShunt deve essere aggiornato.

6 INTERFACCE

Lo SmartShunt può essere collegato a un altro dispositivo e questo capitolo descrive come farlo.

6.1 VictronConnect tramite USB

Il collegamento di VictronConnect può avvenire, non solo tramite Bluetooth, ma anche tramite USB. Una connessione USB è essenziale quando ci si collega alla versione Windows di VictronConnect ed è opzionale quando si utilizza la versione MacOS o Android. Tenere presente che, se ci si collega a un telefono a un tablet Android, potrebbe essere necessario un cavo "USB on the Go".



Per collegarsi tramite USB, sarà necessaria una "Interfaccia VE.Direct a USB", numero di serie SS030530000.

Utilizzare questa interfaccia per collegare il computer allo SmartShunt.

Per ulteriori informazioni, vedere il manuale VictronConnect:

<https://www.victronenergy.com/live/victronconnect:start>.

6.2 Collegamento a un dispositivo GX e al VRM

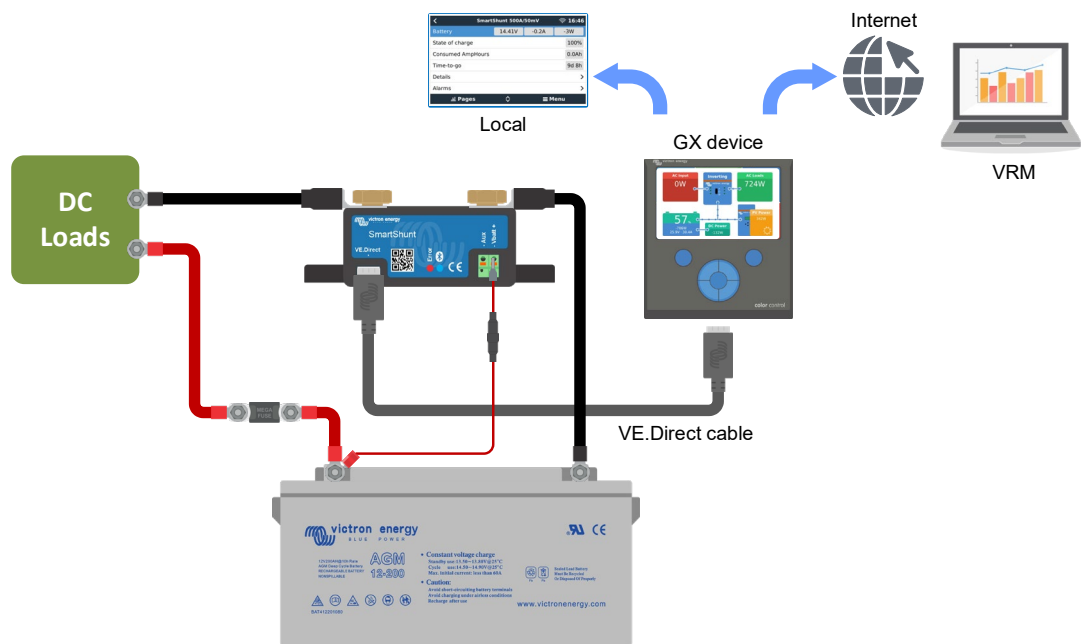
I dispositivi GX sono dispositivi di Victron che forniscono controllo e monitoraggio per tutti i prodotti Victron a loro collegati. Il controllo e il monitoraggio si possono effettuare localmente ma anche remotamente, tramite il nostro sito web gratuito di monitoraggio "Victron Remote Monitoring": il portale online VRM. Per una panoramica di tutti i dispositivi GX disponibili, vedere: <https://www.victronenergy.com.au/panel-systems-remote-monitoring>.

SmartShunt 500A/50mV		
Battery	14.41V	-0.2A -3W
State of charge	100%	
Consumed AmpHours	0.0Ah	
Time-to-go	9d 8h	
Details	>	
Alarms	>	

Per un link al sito web VRM, vedere: <https://vrm.victronenergy.com>

Lo SmartShunt può essere collegato a un dispositivo GX mediante un cavo VE.Direct, numero di serie ASS03053xxxx. I cavi VE.Direct sono disponibili con lunghezze variabili da 0.3 a 10 metri e con connettori lineari o ad angolo retto. Al posto di utilizzare un cavo VE.Direct, lo SmartShunt di può collegare a un dispositivo GX anche tramite l'interfaccia VE.Direct a USB.

Dopo averlo collegato, il dispositivo GX si può usare per leggere tutti i parametri monitorati della batteria.

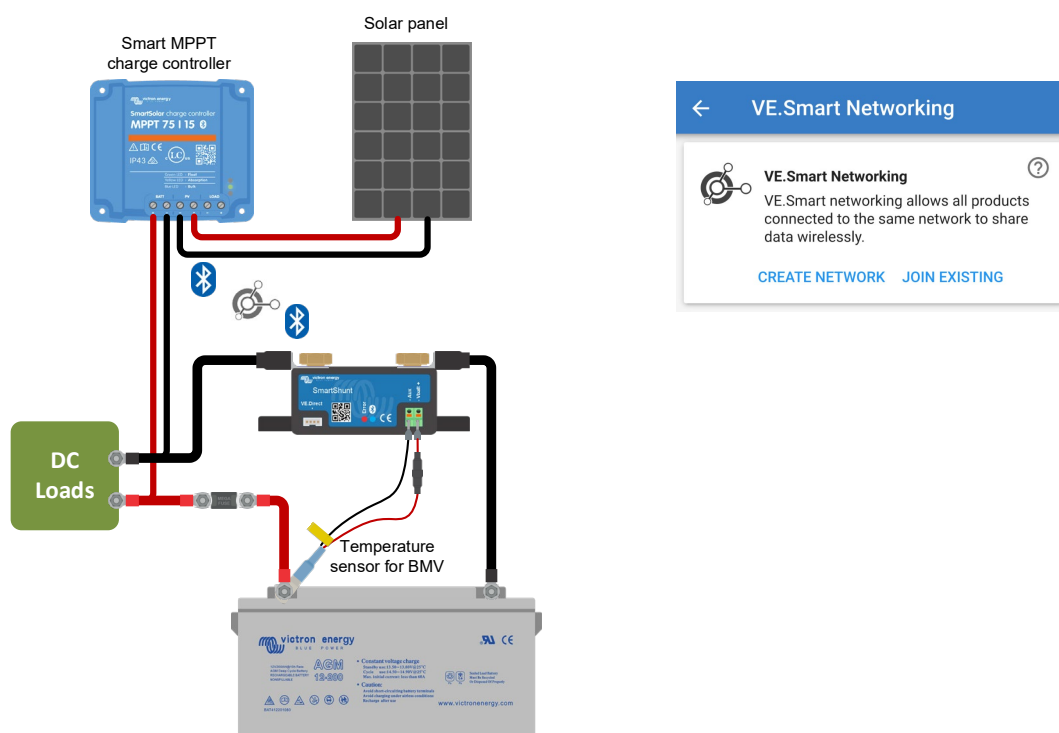


6.3 Collegamento alla rete VE.Smart

La Rete VE.Smart è una rete wireless che consente a un certo numero di prodotti Victron di scambiare informazioni tramite Bluetooth. Lo SmartShunt può condividere la tensione e la temperatura della batteria (è necessario il sensore di temperatura opzionale) con la rete VE.Smart.

Ad esempio: In una rete VE.Smart formata da uno SmartSolar con sensore di temperatura e un caricatore solare MPPT, il caricatore solare riceve le informazioni riguardanti la tensione e la temperatura della batteria dallo SmartShunt e le usa per ottimizzare i suoi parametri di carica. Ciò migliorerà l'efficienza di carica e allungherà vita della batteria.

Per inserire lo SmartShunt in una rete VE.Smart, si dovrà creare una rete oppure unirsi a una rete esistente. Le impostazioni si trovano in Impostazioni SmartShunt > rete smart. Per ulteriori informazioni, vedere il manuale della rete VE.Smart: <https://www.victronenergy.com/live/victronconnect:ve-smart-networking>



6.4 Integrazione personalizzata (mediante programmazione)

La porta di comunicazione VE.Direct si può usare per leggere dati e cambiare impostazioni. Il protocollo VE.Direct è estremamente facile da implementare. Non è necessario che le applicazioni semplici trasmettano dati allo SmartShunt: lo SmartShunt invia automaticamente tutte le letture ogni secondo.

Tutti i particolari sono spiegati in questo documento:

https://www.victronenergy.com/upload/documents/Whitepaper-Data-communication-with-Victron-Energy-products_EN.pdf

7 TUTTE LE FUNZIONI E LE IMPOSTAZIONI

7.1 Impostazioni batteria

Queste impostazioni si possono usare per mettere a punto lo SmartShunt. Prestare attenzione al momento di cambiare queste impostazioni, giacché ogni cambio può avere degli effetti sul calcolo dello stato della carica dello SmartShunt.

7.1.1 Capacità della batteria

Questo parametro si usa per comunicare allo SmartShunt le dimensioni della batteria. Questa impostazione dovrebbe essere stata configurata durante l'installazione iniziale dello SmartShunt.

L'impostazione corrisponde alla capacità della batteria in amperora (Ah). Per ulteriori informazioni, vedere capitolo 8: "Battery capacity and Peukert exponent".

Impostazione predefinita	Gamma	Intervallo
200 Ah	1 – 9999 Ah	1 Ah

7.1.2 Tensione caricata

La tensione della batteria deve essere superiore a questo livello di tensione per considerare la batteria come completamente carica. Non appena lo SmartShunt rileva che la tensione della batteria ha raggiunto la "tensione caricata" e che la corrente è caduta al di sotto della "corrente di coda" per un certo periodo di tempo, lo SmartShunt imposterà lo stato della carica sul 100%.

Impostazione predefinita	Gamma	Intervallo
0V	0 - 95V	0.1V

Il parametro "Tensione caricata" deve essere impostato su 0,2 V o 0.3 V al di sotto della tensione di mantenimento del caricabatterie. Altrimenti, vedere la seguente tabella per sapere le impostazioni raccomandate.

Impostazioni raccomandate per batterie piombo-acido:

Tensione nominale della batteria	Impostazione tensione caricata
12 V	13.2V
24 V	26.4 V
36 V	39.6 V
48 V	52.8 V

7.1.3 Soglia di scarica

Il parametro "Soglia di scarica" si usa per calcolare il tempo rimanente. Il tempo rimanente è il tempo necessario per raggiungere la "Soglia di scarica" impostata.

Impostazione predefinita	Gamma	Intervallo
50%	0 - 99%	1%

7.1.4 Corrente di coda

La batteria si considera "completamente carica" quando la corrente di carica cade al di sotto del parametro "Corrente di coda". Il parametro "Corrente di coda" si esprime come una percentuale della capacità della batteria. Annotazione: Alcuni caricabatterie di batteria al smettono di caricare quando la corrente cade al di sotto della soglia impostata. In questi casi, la corrente di coda deve essere impostata al di sopra di questa soglia.

Non appena lo SmartShunt rileva che la tensione della batteria ha raggiunto il parametro impostato come "Tensione caricata" e che la corrente è caduta al di sotto della "Corrente di coda" per un certo periodo di tempo, lo SmartShunt imposterà lo stato della carica sul 100%.

Impostazione predefinita	Gamma	Intervallo
4.00%	0,50 - 10.00%	0.1%

7.1.5 Tempo di rilevamento batteria carica

È il tempo che la “Tensione caricata” e la “Corrente di coda” devono rispettare affinché si consideri che la batteria è completamente carica.

Impostazione predefinita	Gamma	Intervallo
3 minuti	100 minuti	1 minuto

7.1.6 Coefficiente Peukert

Se non si conosce, si consiglia di mantenere il valore su 1.25 (per difetto) per le batterie piombo-acido e su 1.05 per le batteria agli ioni di litio. Un valore pari a 1.00 disabilita la compensazione Peukert. Per ulteriori informazioni, vedere capitolo 8: “Battery capacity and Peukert exponent”

Impostazione predefinita	Gamma	Intervallo
1.25	1.00 – 1.50	0.01

7.1.7 Fattore di efficienza di carica

Il “Fattore di efficienza di carica” compensa le perdite di capacità (Ah) durante la carica. Un'impostazione del 100% significa che non ci sono perdite.

Impostazione predefinita	Gamma	Intervallo
95%	50 - 100%	1%

L'efficienza di carica di un batteria piombo-acido è di circa 100%, finché non si generano gas. La generazione di gas significa che parte della corrente di carica non si trasforma in energia chimica, la quale è immagazzinata nelle piastre della batteria, ma viene usata per decomporre l'acqua in gas di ossigeno e idrogeno (altamente esplosivi!). L'energia immagazzinata nelle piastre si può recuperare durante la scarica successiva, mentre l'energia utilizzata per decomporre l'acqua si perde.

La generazione di gas si può facilmente verificare nelle batterie a elettrolita liquido. Tenere presente che la fase terminale della carica “solo ossigeno” delle batterie sigillate (VRLA) gel e AGM può provocare anche una ridotta capacità di carica.

Un'efficienza di carica del 95%, implica che, per ottenere 9.5 Ah di immagazzinaggio reale nella batteria, si devono trasferire alla stessa 10 Ah. L'efficienza di carica di una batteria dipende dal tipo, dall'età e dall'utilizzo della batteria. Lo SmartShunt prende in considerazione questo fenomeno per il fattore di efficienza di carica.

7.1.8 Soglia corrente

Quando la corrente misurata cade al di sotto del valore della “Soglia di corrente”, sarà considerata come zero. La “Soglia di corrente” si utilizza per annullare correnti molto deboli che possono falsare la lettura di stati di caricamento a lungo termine in ambienti rumorosi. Ad esempio, se la corrente reale a lungo termine è pari a 0.0 A e, a causa di disturbi o piccole discrepanze, il monitor della batteria indica -0.05 A, nel lungo termine lo Smart Shunt può indicare, erroneamente, che la batteria è vuota o deve essere ricaricata. Quando la soglia di corrente di questo esempio è impostata su 0.1 A, lo SmartShunt calcola che sia 0.0 A, eliminando così gli errori. Il valore 0.0 A disabilita questa funzione.

Impostazione predefinita	Gamma	Intervallo
0.10 A	0.00 – 2.00 A	0.01 A

7.1.9 Periodo medio rimanente di autonomia

Il periodo medio rimanente indica l'intervallo di tempo (in minuti) utilizzato dall'apparecchio per calcolare l'autonomia media rimanente. Un valore 0 disattiva il filtro e fornisce una lettura istantanea (in tempo reale). Tuttavia, il valore del “Tempo rimanente” visualizzato può avere delle notevoli variazioni. Selezionando il valore più elevato, 12 minuti, ci si assicura che solo le fluttuazioni di carica a lungo termine siano incluse nel calcolo del “Tempo rimanente”.

Impostazione predefinita	Gamma	Intervallo
3 minuti	12 minuti	1 minuto

7.1.10 Avvio sincronizzato batteria

Lo stato di carica della batteria diventa 100% quando si accende lo SmartShunt. Se è ON, lo SmartShunt si considererà sincronizzato quando si accende e indicherà uno stato di carica del 100%. Se è OFF, lo SmartShunt si considererà non sincronizzato quando si accende e indicherà uno stato di carica sconosciuto fino alla prima sincronizzazione effettiva.

Impostazione predefinita	Gamma
ON	ON/OFF

Tenere presente che si possono verificare delle situazioni nelle quali siano richieste delle considerazioni speciali al momento di impostare questa funzione su ON. Una di queste situazioni si verifica nei sistemi in cui la batteria è spesso scollegata dallo SmartShunt, come in una barca. Se si scende dalla barca e si scollega il sistema CC mediante l'interruttore principale CC, mentre le batterie sono cariche, ad esempio, al 75%, quando si ritorna a bordo della barca e si ricollega il sistema CC, lo SmartShunt indicherà 100%. Ciò darà la falsa impressione che le batterie siano completamente cariche, mentre in realtà sono parzialmente scariche.

Ci sono due soluzioni possibili: una è quella di non scollegare lo SmartShunt quando le batterie sono parzialmente scariche, l'altra è quella di spegnere la funzione "Avvio sincronizzato batteria". Ora, quando lo SmartShunt viene ricollegato, lo stato della carica mostrerà "---" e non 100%, finché le batterie non siano completamente cariche. Tenere presente che, se si lascia una batteria piombo-acido in uno stato di scarica parziale per un certo tempo, si produrranno danni alla batteria.

7.1.11 Stato della carica

Grazie a questa funzione si può configurare manualmente il valore dello stato della carica. Questa impostazione si attiva solo dopo che lo SmartShunt sia stato sincronizzato almeno una volta, automaticamente o manualmente.

Impostazione predefinita	Gamma	Intervallo
--%	0.0 - 100%	0.1%

7.1.12 Sincronizza SoC al 100%

Questa opzione può essere utilizzata per sincronizzare manualmente lo SmartShunt. Premere il pulsante "Sincronizza" per sincronizzare lo SmartShunt al 100%. Per ulteriori informazioni, vedere paragrafo 5.3.2: "Manual synchronisation".

7.1.13 Calibrazione della corrente zero

Se lo SmartShunt rileva una corrente diversa da zero quando non c'è carico e la batteria non si sta caricando, questa opzione può essere utilizzata per calibrare la lettura dello zero.

Accertarsi che veramente non siano presenti flussi di corrente in entrata o uscita dalla batteria. A tale fine, scollegare il cavo tra il carico e lo SmartShunt e premere il "pulsante calibrazione" per eseguire una calibrazione della corrente zero.

7.2 Impostazioni allarmi

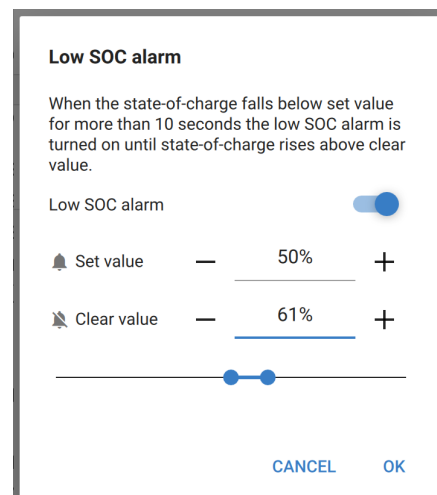
Tenere presente che lo SmartShunt non è dotato di cicalino o relè di allarme come la serie BMV. Gli allarmi generati sono visibili solo nella App VictronConnect, durante la connessione con lo SmartShunt, o quando si usa per inviare un allarme a un dispositivo GX.

7.2.1 Impostazioni allarmi SoC

Se è attivo, l'allarme scatterà quando lo stato della carica cada al di sotto del valore impostato per più di 10 secondi. L'allarme si arresterà quando lo stato della carica risalga al di sopra del valore di disattivazione.

Impostazione predefinita	Gamma
Disattivato	Disattivato / attivo

Quando attivo	Impostazione predefinita		
Valore di attivazione	1%	0 - 100%	1%
Valore di disattivazione	2%	0 - 100%	1%



7.2.2 Allarme bassa tensione

Se è attivo, l'allarme scatterà quando la tensione batteria cada al di sotto del valore impostato per più di 10 secondi. L'allarme si arresterà quando la tensione batteria risalga al di sopra del valore di disattivazione.

Impostazione predefinita	Gamma
Disattivato	Disattivato / attivo

Quando attivo	Impostazione predefinita		
Valore di attivazione	1.0 V	0 - 95.0 V	0.1 V
Valore di disattivazione	1.1 V	0 - 95.0 V	0.1 V

7.2.3 Allarme alta tensione

Se è attivo, l'allarme scatterà quando la tensione batteria superi il valore impostato per più di 10 secondi. L'allarme si arresterà quando la tensione batteria cada al di sotto del valore di disattivazione.

Impostazione predefinita	Gamma
Disattivato	Disattivato / attivo

Quando attivo	Impostazione predefinita		
Valore di attivazione	1.1 V	0 - 95.0 V	0.1 V
Valore di disattivazione	1.0 V	0 - 95.0 V	0.1 V

7.2.4 Allarme bassa tensione batteria di avviamento

Questa impostazione è disponibile solo se l'entrata Aux è stata regolata su "Batteria di avviamento".

Se è attiva, l'allarme scatterà quando la tensione della batteria di avviamento cada al di sotto del valore impostato per più di 10 secondi. L'allarme si arresterà quando la tensione della batteria di avviamento risalga al di sopra del valore di disattivazione.

Impostazione predefinita	Gamma
Disattivato	Disattivato / attivo

Quando attivo	Impostazione predefinita		
Valore di attivazione	1.0 V	0 - 95.0 V	0.1 V
Valore di disattivazione	1.1 V	0 - 95.0 V	0.1 V

7.2.5 Allarme alta tensione batteria di avviamento

Questa impostazione è disponibile solo se l'entrata Aux è stata regolata su "Batteria di avviamento".

Se è attiva, l'allarme scatterà quando la tensione della batteria di avviamento superi il valore impostato per più di 10 secondi. L'allarme si arresterà quando la tensione della batteria di avviamento cada al di sotto del valore di disattivazione.

Impostazione predefinita	Gamma
Disattivato	Disattivato / attivo

Quando attivo	Impostazione predefinita		
Valore di attivazione	1.1 V	0 - 95.0 V	0.1 V
Valore di disattivazione	1.0 V	0 - 95.0 V	0.1 V

7.2.6 Allarme deviazione punto medio

Questa impostazione è disponibile solo se l'entrata Aux è stata regolata su "Punto medio".

Se è attiva, l'allarme scatterà quando la tensione di deviazione del punto medio superi il valore impostato per più di 10 secondi. L'allarme si arresterà quando la tensione di deviazione del punto medio cada al di sotto del valore di disattivazione.

Impostazione predefinita	Gamma
Disattivato	Disattivato / attivo

Quando attivo	Impostazione predefinita		
Valore di attivazione	2%	0 - 99%	1%
Valore di disattivazione	1%	0 - 99%	1%

7.2.7 Allarme temperatura alta

Questa impostazione è disponibile solo se l'entrata Aux è stata regolata su "Temperatura".

Se è attiva, l'allarme scatterà quando la temperatura della batteria superi il valore impostato per più di 10 secondi. L'allarme si arresterà quando la temperatura della batteria cada al di sotto del valore di disattivazione.

Impostazione predefinita	Gamma
Disattivato	Disattivato / attivo

Quando attivo	Impostazione predefinita	Gamma	Intervallo
Valore di attivazione	2°C (2°F)	-99 - +99°C (-146 - +210°F)	1°C (1°F)
Valore di disattivazione	1°C (2°F)	-99 - +99°C (-146 - +210°F)	1°C (1°F)

7.2.8 Allarme temperatura bassa

Questa impostazione è disponibile solo se l'entrata Aux è stata regolata su "Temperatura".

Se è attiva, l'allarme scatterà quando la temperatura della batteria cada al di sotto del valore impostato per più di 10 secondi. L'allarme si arresterà quando la temperatura della batteria risalga al di sopra del valore di disattivazione.

Impostazione predefinita	Gamma
Disattivato	Disattivato / attivo

Quando attivo	Impostazione predefinita	Gamma	Intervallo
Valore di attivazione	2°C (2°F)	-99 - +99°C (-146 - +210°F)	1°C (1°F)
Valore di disattivazione	1°C (2°F)	-99 - +99°C (-146 - +210°F)	1°C (1°F)

7.3 Impostazioni varie

7.3.1 Entrata ausiliaria

Questa impostazione stabilisce la funzione dell'entrata ausiliare. Scegliere tra: Batteria di avviamento, Punto medio o Temperatura

Impostazione predefinita	Gamma
Batteria di avviamento	Batteria di avviamento / Punto medio / Temperatura

7.3.2 Coefficiente temperatura

Questa impostazione è disponibile solo se l'entrata Aux è stata regolata su "Temperatura".

La capacità disponibile della batteria diminuisce in base alla temperatura. Generalmente, comparata con la capacità a 20°C, la riduzione è del 18% a 0°C e del 40% a -20°C.

Il coefficiente temperatura rappresenta la percentuale di cambio della capacità della batteria in base alla temperatura, quando questa diminuisce a meno di 20°C (sopra i 20°C l'influenza della temperatura sulla capacità è relativamente bassa e non si prende in considerazione). L'unità di questo valore è "%cap/°C" o percentuale di capacità per gradi Celsius. Il valore tipico (sotto i 20°C) è 1%cap/°C per le batterie piombo-acido e 0,5%cap/°C per le batterie LFP.

Impostazione predefinita	Gamma	Intervallo
0.0%cap/°C	2,0%cap/°C	0.1%cap/°C
0.0%cap/°F	3,6%cap/°F	0.1%cap/°F

7.4 Impostazione unità della temperatura

Questa impostazione si può trovare nelle impostazioni della stessa App VictronConnect. Uscire dallo SmartShunt cliccando sulla freccia ←. Si tornerà così all'elenco dispositivi della App VictronConnect. Cliccare sul simbolo del menù ≡ e poi cliccare sul simbolo delle impostazioni ⚙. Qui si può selezionare "Visualizza temperatura unità". Selezionando Celsius, apparirà la temperatura in °C e selezionando Fahrenheit apparirà la temperatura in °F.

Impostazione predefinita	Gamma
Celsius	Celsius / Fahrenheit

7.5 Impostazioni prodotto

Per accedere a queste impostazioni, cliccare sul simbolo delle impostazioni ⚙ e poi sul simbolo del menù ≡.

7.5.1 Reimposta ai valori predefiniti

Per ripristinare tutte le impostazioni come predefinite, selezionare "Reimposta ai valori predefiniti". Tenere presente che questa azione ripristina tutte le impostazioni ai valori predefiniti, ma non la cronologia.

7.5.2 Nome personalizzato

Nella schermata di informazioni dei prodotti SmartShunt si può cambiare il nome dello SmartShunt. Per difetto è stato definito con il suo nome prodotto. Ma potrebbe essere necessario un nome più funzionale, soprattutto se si utilizzano vari SmartShunt molto vicini fra loro, altrimenti potrebbe essere difficile identificare con quale di essi si sta comunicando. Per esempio, si possono aggiungere dei suffissi identificativi al loro nome, come: SmartShunt A, SmartShunt B e così via.

7.5.3 Firmware

Sia lo SmartShunt che la sua interfaccia Bluetooth funzionano con un firmware. Ogni tanto sarà disponibile una nuova versione del firmware. I nuovi firmware si rilasciano per aggiungere funzionalità o per risolvere un bug. La Panoramica del prodotto dello SmartShunt e della sua interfaccia Bluetooth mostrano entrambe il numero del nuovo firmware. Indicano anche se è l'ultima versione di tale firmware e appare un pulsante che si può premere per aggiornarlo.

Alla prima installazione è sempre consigliabile aggiornare il firmware alla versione più recente (se disponibile). Quando ci si collega allo SmartShunt con la versione "aggiornata" di VictronConnect, quest'ultima verificherà il firmware e, se trova una versione più recente, chiederà se si desidera aggiornarlo. VictronConnect comprende i file del firmware in uso, pertanto non è necessaria una connessione Internet per aggiornare alla versione più recente, sempre che si stia utilizzando la versione più aggiornata di VictronConnect.

L'aggiornamento del firmware non è obbligatorio. Se si sceglie di non aggiornarlo, si potrà solamente leggere lo SmartShunt, ma non si potranno cambiare le impostazioni. Le impostazioni si possono cambiare solo se lo SmartShunt utilizza il firmware più recente.

7.5.4 Cambio codice PIN

Nelle informazioni del prodotto dell'interfaccia Bluetooth dello SmartShunt si può cambiare il codice PIN.

7.5.5 Attivazione e disattivazione del Bluetooth

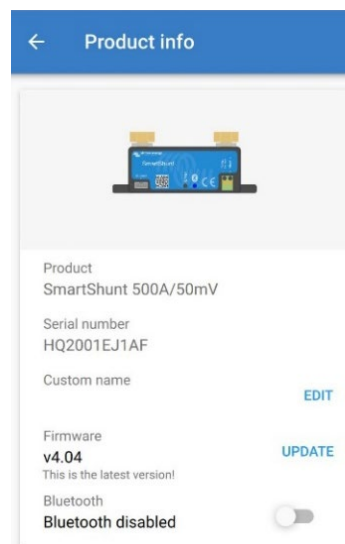
Nello SmartShunt, il Bluetooth è attivo per difetto. Se non fosse necessario, si può disattivare. A tale fine, spostare di posizione l'interruttore Bluetooth nelle impostazioni prodotto.

Un motivo per disattivare il Bluetooth sono le ragioni di sicurezza o l'eliminazione di trasmissioni non desiderate dello SmartShunt.

Dopo aver disattivato il Bluetooth, l'unico modo per comunicare con lo SmartShunt sarà mediante la sua porta VE.Direct.

Tale comunicazione si può stabilire tramite l'interfaccia USB a VE.Direct o tramite un dispositivo GX collegato allo SmartShunt tramite un cavo VE.Direct o l'interfaccia USB a VE.Direct. Per ulteriori informazioni, vedere capitolo 6: "Interfacing".

Il Bluetooth può essere riattivato collegando lo SmartShunt alla VictronConnect, mediante l'interfaccia VE.Direct - USB. Una volta collegato, si può navigare fino al menù impostazioni prodotto e riattivare il Bluetooth.




7.5.6 Numero di serie


Il numero di serie si trova nelle informazioni del prodotto dello SmartShunt o sull'adesivo delle informazioni prodotto, apposto sullo SmartShunt stesso.

7.6 Salvataggio, caricamento e condivisione delle impostazioni

Nel menù impostazioni si trovano 3 simboli:

 **Salva impostazioni su file:** Si salveranno le informazioni per riferimento o per usi futuri.

 **Carica impostazioni da file:** Si caricheranno le informazioni precedentemente salvate.

 **Condividi file impostazione:** Consente di condividere i file delle impostazioni tramite e-mail, messaggio, airdrop e così via. Le opzioni di condivisione disponibili dipendono la piattaforma utilizzata.

Per ulteriori informazioni riguardo queste caratteristiche, vedere il manuale VictronConnect: <https://www.victronenergy.com/live/victronconnect:start>

7.7 Ripristino cronologia

Questa impostazione si trova al fondo della sezione cronologia. Tenere presente che i dati della cronologia sono uno strumento importante controllare le prestazioni della batteria e sono anche necessari per diagnosticare eventuali problemi della stessa. Non cancellare la cronologia, a meno che non si sostituisca il banco batterie.

7.8 Ripristina codice PIN

Questa impostazione si può trovare nelle impostazioni della stessa App VictronConnect. Uscire dallo SmartShunt cliccando sulla freccia ←. Si tornerà così all'elenco dispositivi della App VictronConnect. Ora cliccare sul simbolo del menù ☰, sito vicino all'elenco dello SmartShunt.

Si aprirà una nuova finestra, la quale consente di ripristinare il codice PIN per difetto: 000000. Per poter ripristinare il codice PIN, sarà necessario inserire il codice unico PUK dello SmartShunt. Il codice PUK è stampato sull'adesivo delle informazioni prodotto apposto sullo SmartShunt.

8 CAPACITÀ DELLA BATTERIA E COEFFICIENTE PEUKERT

La capacità della batteria si esprime in Amperora (Ah) e indica quanta corrente può fornire una batteria nel tempo. Ad esempio, se una batteria da 100 Ah si scarica con una corrente costante di 5 A, la batteria si scaricherà completamente in 20 ore.

La velocità alla quale si scarica la batteria si esprime come valore C. Il valore C indica quante ore durerà una batteria con una determinata capacità. 1C è il valor 1h e significa che la corrente di scarica scaricherà completamente la batteria in 1 ora. Per una batteria con una capacità di 100 Ah, ciò corrisponde a una corrente di scarica di 100 A. Un valore 5C per questa batteria indicherà 500 A in 12 minuti (1/5 d'ora) e un valore 5C indicherà 20 A in 5 ore.

La capacità di una batteria dipende dalla velocità di scarica. Quanto più rapida la scarica, meno capacità sarà disponibile. Il rapporto tra una scarica lenta o veloce si può calcolare mediante la legge di Peukert e si esprime con il coefficiente Peukert. Alcune composizioni chimiche delle batterie sono più soggette a questo fenomeno rispetto ad altre. Le batterie al piombo-acido lo soffrono di più rispetto alle batterie al litio. Lo SmartShunt prende in considerazione questo fenomeno per il coefficiente Peukert.

Esempio di scarica nominale

Una batteria al piombo-acido è classificata come 100 A a C20: ciò significa che questa batteria può rilasciare una corrente totale di 100 A in 20 ore a una velocità di 5 A all'ora. $C20 = 100 \text{ Ah}$ ($5 \times 20 = 100$).

Quando la stessa batteria da 100 Ah si scarica completamente in due ore, la sua capacità è notevolmente ridotta. In seguito alla più alta velocità di scarica, potrebbe dare solo $C2 = 56 \text{ Ah}$.

Formula di Peukert

Il valore che può essere regolato nella formula di Peukert è il coefficiente n: vedere la formula qui sotto.

Nello SmartShunt, il coefficiente Peukert si può regolare da 1.00 a 1.50. Più elevato è il coefficiente di Peukert, più rapidamente la capacità reale "si restringe" con una velocità di scarica crescente. Una batteria ideale (teorica) ha un coefficiente di Peukert di 1.00 e una capacità fissa indipendente dal valore della corrente di scarica.

L'impostazione per difetto del coefficiente Peukert dello SmartShunt è 1.25. Questo è un valore medio accettabile per la maggior parte delle batterie piombo-acido.

Di seguito viene esposta l'equazione di Peukert:

$$C_p = I^n \times t \quad \text{dove il coefficiente n di Peukert è:} \quad n = \frac{\log t_2 - \log t_1}{\log I_1 - \log I_2}$$

Per calcolare il coefficiente Peukert saranno necessari due valori di capacità della batteria. Queste generalmente sono il valore di scarica 20h e 5h, ma possono anche essere 10h e 5h, o 20h e 10h. Idealmente, si dovrebbe usare un basso valore di scarica assieme a un valore sostanzialmente più alto. I valori della capacità della batteria si possono trovare nelle schede tecniche della batteria stessa. Se sorgessero dubbi, rivolgersi al fornitore della batteria.

Esempio di calcolo utilizzando i valori 5h e 20h

Il valore C5 è 75 Ah. Il valore t_1 è 5h e I_1 si calcola così: $I_1 = \frac{75 \text{ Ah}}{5 \text{ h}} = 25 \text{ A}$

Il valore C20 è 100 Ah. Il valore t_2 è 20h e I_2 si calcola così: $I_2 = \frac{100 \text{ Ah}}{20 \text{ h}} = 5 \text{ A}$

Il coefficiente Peukert è: $n = \frac{\log 20 - \log 5}{\log 25 - \log 5} = 1.26$

Un calcolatore Peukert è disponibile sul sito web

<http://www.victronenergy.com/support-and-downloadssoftware/>

Tenere presente che il coefficiente Peukert è non altro che una grossolana approssimazione della realtà e, con correnti molto alte, le batterie forniranno ancor meno capacità di quella prevista da un coefficiente fisso.

Raccomandiamo di non cambiare il valore per difetto nello SmartShunt, tranne nel caso delle batterie al litio.

9 MONITORAGGIO DELLA TENSIONE DEL PUNTO MEDIO

Una cella o una batteria danneggiata può distruggere un grande e costoso banco batterie.

Un cortocircuito o una grande perdita di corrente interna di una cella, ad esempio, provocherà una ricarica insufficiente di quella cella e una sovraccarica delle altre celle. Parimenti, una batteria difettosa in un banco batterie da 24 V o 48 V di varie batterie da 12 V collegate in serie/parallelo, può distruggere l'intero banco. Quando le nuove celle o batterie sono collegate in serie, inoltre, devono avere lo stesso stato di carica iniziale. Piccole differenze saranno appianate durante l'assorbimento o la carica di equalizzazione, ma grandi differenze provocheranno danni durante la carica, in seguito a una eccessiva generazione di gas nelle celle o nelle batterie con il più alto stato di carica iniziale.

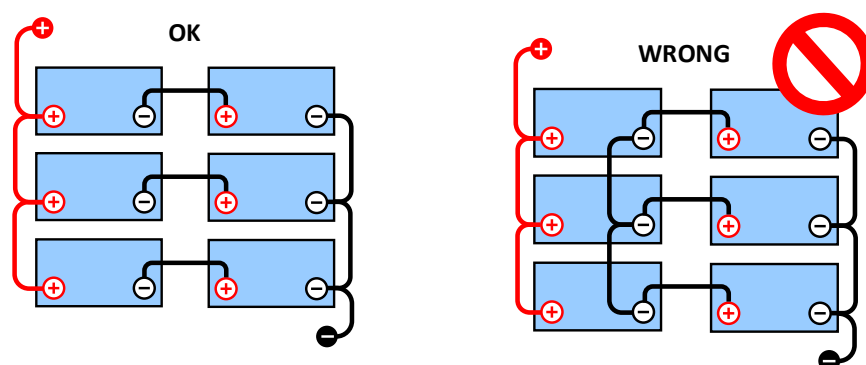
Si può far scattare un allarme tempestivo monitorando il punto medio del banco batterie (ad es., dividendo a metà la tensione di ogni stringa e comparando le due mezze tensioni della stringa).

La deviazione del punto medio sarà piccola quando il banco batterie sia a riposo e aumenterà:

- Al termine della prima fase di carica durante la carica (la tensione delle celle ben cariche aumenterà velocemente mentre le celle più deboli necessiteranno ancora una maggior carica).
- Quando si scarica il banco batterie, finché la tensione delle celle più deboli inizia a diminuire velocemente.
- A elevate velocità di carica e scarica

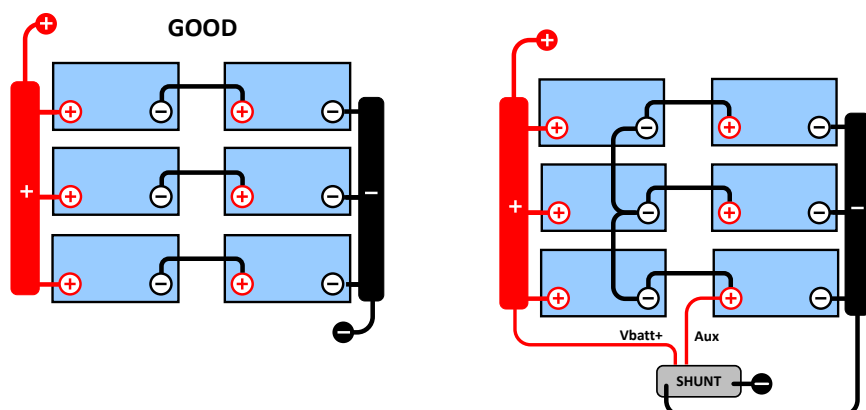
9.1 Schemi di cablaggio del banco batterie e del punto medio

9.1.1 Connessione e monitoraggio del punto medio in un banco batterie da 24 V



In seguito alla caduta di tensione sui cavi positivo e negativo, le tensioni del punto medio non sono uguali.

In un banco batterie non monitorato, i punti medi non devono essere collegati fra loro, giacché un banco batterie

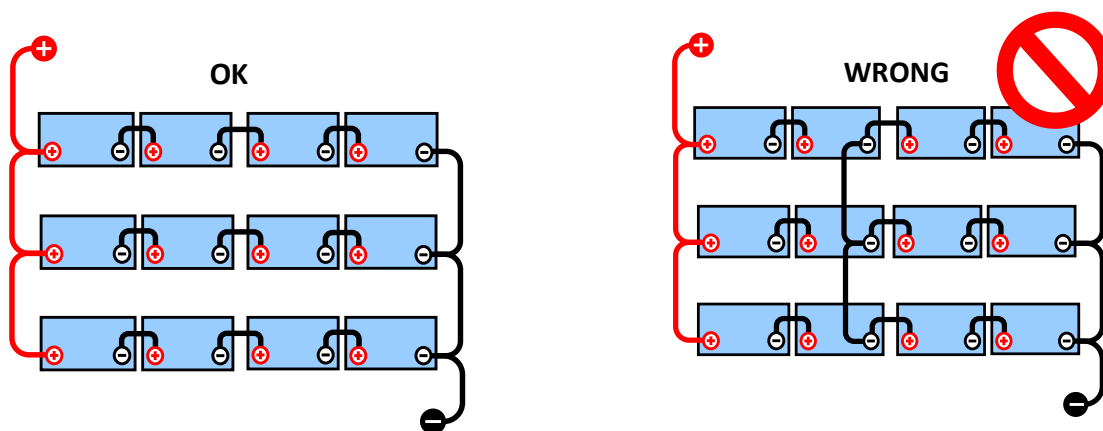


difettoso potrebbe non essere rilevato e danneggiare tutte le altre batterie.

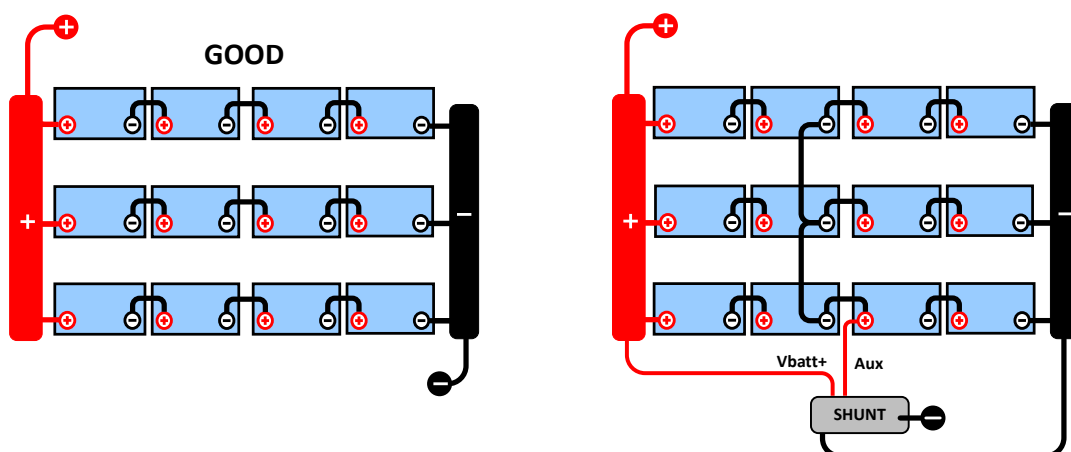
Utilizzare sempre un sistema di barre per eseguire il monitoraggio della tensione del punto medio. I cavi diretti al sistema a barre devono avere tutti la stessa lunghezza.

I punti medi possono essere collegati solo se si prendono misure correttive quando salta un allarme.

9.1.2 Connessione e monitoraggio del punto medio in un banco batterie da 48V



In seguito alla caduta di tensione sui cavi positivo e negativo, le tensioni del punto medio non sono uguali.



In un banco batterie non monitorato, i punti medi non devono essere collegati fra loro, giacché un banco batterie difettoso potrebbe non essere rilevato e danneggiare tutte le altre batterie.

Utilizzare sempre un sistema di barre per eseguire il monitoraggio della tensione del punto medio. I cavi diretti al sistema a barre devono avere tutti la stessa lunghezza.

I punti medi possono essere collegati solo se si prendono misure correttive quando salta un allarme.

9.2 Calcolo della deviazione del punto medio

Lo SmartShunt misura il punto medio e poi calcola la deviazione, espressa in percentuale, da quello che dovrebbe essere il punto medio.

$$Deviation = \frac{100 \times (top\ string\ voltage - bottom\ string\ voltage)}{battery\ voltage}$$

$$d = \frac{100 \times (Vt - Vb)}{V}$$

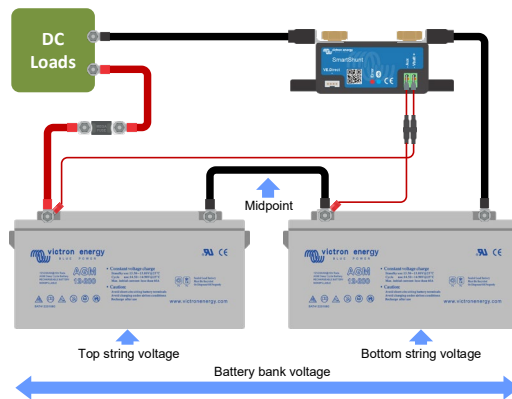
Dove:

d è la deviazione in %

V_t è la tensione della stringa superiore

V_b è la tensione della stringa inferiore

V è la tensione della batteria ($V = V_t + V_b$)



9.3 Impostazione del livello di allarme

Per le batterie VRLA (gel o AGM), la produzione di gas dovuta a sovraccarica asciugherà l'elettrolito, aumentando la resistenza interna e, in definitiva, provocando danni irreversibile. Le batterie VRLA a piastre piane iniziano a perdere acqua quando la tensione di carica si avvicina ai 15 V (batteria da 12 V). Tenendo conto di un margine di sicurezza, la deviazione del punto medio deve, pertanto, rimanere al di sotto del 2% durante la carica. Quando, ad esempio, si carica un banco batterie da 24 V a una tensione di assorbimento di 28,8 V, una deviazione del punto medio del 2% comporterà:

$$V_t = \frac{V \times d}{100} + V_b = \frac{V \times d}{100} + V - V_t = V \times \frac{1 + \frac{d}{100}}{2}$$

Pertanto:

$$V_t = V \times \frac{1 + \frac{d}{100}}{2} \quad \text{and} \quad V_b = V \times \frac{1 - \frac{d}{100}}{2}$$

$$V_t = 28.8 \times \frac{1 + \frac{2}{100}}{2} \approx 14.7 \quad \text{and} \quad V_b = 28.8 \times \frac{1 - \frac{2}{100}}{2} \approx 14.1$$

Ovviamente, una deviazione del punto medio di più del 2% provocherà una sovraccarica della batteria superiore e una carica insufficiente della batteria inferiore. Queste sono due buone ragioni per impostare il livello di allarme del punto medio su non più di $d = 2\%$.

La stessa percentuale si può applicare a banchi batterie da 12 V con un punto medio da 6 V.

Per un banco batterie da 48 V formato da batterie da 12 V collegate in serie, la % di influenza su una batteria nel punto medio si riduce alla metà. Il livello di allarme del punto medio, quindi, si può impostare su un livello inferiore.

9.4 Ritardo dell'allarme

Per impedire che si verifichino allarmi dovuti a deviazioni a breve termine senza danno alla batteria, la deviazione deve superare il valore impostato per 5 minuti prima dell'attivazione dell'allarme. Una deviazione che supera il valore impostato di un fattore di due o più attiverà l'allarme dopo 10 secondi.

9.5 Cosa fare in caso di allarme durante la carica

Per un banco batterie nuovo

L'allarme, generalmente, salta in seguito a differenze nello stato iniziale della carica di una singola batteria. Se la deviazione aumenta e supera il 3%, bisogna arrestare la carica del banco batterie e caricare le singole batterie o celle separatamente. Un altro modo è quello di ridurre significativamente la corrente di carica del banco batterie, per consentire alle batterie di equalizzarsi nel tempo.

Se il problema persiste dopo vari cicli di carica-scarica, agire come segue:

- In caso di collegamento in serie-parallelo, scollegare il punto medio, collegare in parallelo e misurare le singole tensioni del punto medio durante la carica di assorbimento per isolare le batterie o le celle che necessitano una carica aggiuntiva.
- Caricare e poi testare tutte le batterie o celle singolarmente.

Per un banco batterie più attento, che ha sempre funzionato bene nel passato

Il problema potrebbe essere dovuto a una carica insufficiente sistematica. In questo caso, è necessaria una carica più frequente o una carica di equalizzazione. Tenere presente che solo le batterie piastra piana a carica profonda a liquido elettrolita o OPzS possono essere equalizzate. Una carica migliorata e regolare risolveranno il problema.

Se fossero presenti una o più celle difettose:

- In caso di collegamento in serie-parallelo, scollegare il punto medio, collegare in parallelo e misurare le singole tensioni del punto medio durante la carica di assorbimento per isolare le batterie o le celle che necessitano una carica aggiuntiva.
- Caricare e poi testare tutte le batterie o celle singolarmente.

9.6 Cosa fare in caso di allarme durante la scarica

Le singole batterie o celle di un banco batterie non sono identiche e, quando si scarica completamente un banco batterie, la tensione di alcune celle inizierà a cadere prima di quella di altre. L'allarme del punto medio, quindi, salterà quasi sempre al termine di una scarica profonda.

Se l'allarme del punto medio salta molto prima (e non scatta durante la carica), alcune batterie o celle potrebbero aver perso la loro capacità o potrebbero aver sviluppato una maggior resistenza interna, rispetto ad altre. Il banco batterie potrebbe aver raggiunto la fine della sua vita utile, oppure una o più celle o batterie hanno sviluppato un difetto:

- In caso di collegamento in serie-parallelo, scollegare il cablaggio di collegamento in parallelo del punto medio e misurare le singole tensioni del punto medio durante la scarica per isolare le batterie o le celle difettose.
- Caricare e poi testare tutte le batterie o celle singolarmente.

9.7 Il Battery Balancer

Si potrebbe considerare l'eventualità di aggiungere al sistema un Battery Balancer. Un Battery Balancer equalizza lo stato di carica di due batterie da 12 V collegate in serie, o di diverse stringhe parallele di batterie collegate in serie.

Quando la tensione di carica di un sistema di batterie a 24V sale ad oltre 27,3V, il Battery Balancer viene attivato per confrontare la tensione delle due batterie collegate in serie. Il Battery Balancer assorbirà fino a 0,7A di corrente dalla batteria (o dalla stringa di batterie in parallelo) con la tensione più elevata. Il risultante differenziale di corrente di carica assicura così che tutte le batterie convergano nel tempo verso uno stato di carica identico. Se necessario è possibile collegare in parallelo più di un Battery Balancer.

Un banco di batterie da 48 V può essere bilanciato con tre Battery Balancer, uno fra ogni batteria.

Per ulteriori informazioni, vedere le schede tecniche del Battery Balancer, che si trovano nella pagina prodotto del Battery Balancer stesso: <https://www.victronenergy.com.au/batteries/battery-balancer>

10 RISOLUZIONE DEI PROBLEMI

10.1 Problemi di funzionalità

10.1.1 L'unità non risponde, non ci sono luci accese

Alla prima connessione, il LED blu dello SmartShunt dovrebbe lampeggiare. Se così non fosse, controllare il fusibile sul cavo Vbatt+ ed anche lo stesso cavo e i suoi morsetti.

Tenere presente che il LED blu dello SmartShunt può essere spento anche quando il Bluetooth è stato disattivato. Lo SmartShunt sembra non rispondere. Vedere il paragrafo 10.2.1 "Cannot connect via Bluetooth" per le istruzioni su come risolvere questo problema.

Se si usa il sensore di temperatura:

- La linguetta del cavo M8 del sensore di temperatura deve essere collegato al polo positivo del banco batterie (il cavo rosso del sensore funge da cavo di alimentazione).
- Controllare il fusibile del cavo (rosso) positivo.
- Assicurarsi di usare il sensore di temperatura corretto. Il sensore di temperatura del MultiPlus non funziona per lo SmartShunt.
- Assicurarsi che il sensore di temperatura sia stato correttamente collegato. Il cavo rosso deve essere collegato al morsetto Vbatt+ dello SmartShunt e il cavo nero al morsetto Aux.

Vedere il paragrafo 3.4.3 "Aux connection for temperature monitoring" per le istruzioni di collegamento e uno schema dei collegamenti.

10.1.2 La porta ausiliare non funziona

Controllare il fusibile sul cavo Aux ed anche lo stesso cavo e i suoi morsetti.

Se si usa una batteria di avviamento: assicurarsi che entrambi i banchi batterie abbiano un polo negativo comune. Vedere il paragrafo 3.4.1 "Aux connection for monitoring the voltage of a second battery" per le istruzioni di collegamento e uno schema dei collegamenti.

Se si usa il sensore di temperatura:

- La linguetta del cavo M8 del sensore di temperatura deve essere collegato al polo positivo del banco batterie (il cavo rosso del sensore funge da cavo di alimentazione).
- Controllare il fusibile del cavo (rosso) positivo.
- Assicurarsi di usare il sensore di temperatura corretto. Il sensore di temperatura del MultiPlus non funziona per lo SmartShunt.
- Assicurarsi che il sensore di temperatura sia stato correttamente collegato. Il cavo rosso deve essere collegato al morsetto Vbatt+ dello SmartShunt e il cavo nero al morsetto Aux.

Vedere il paragrafo 3.4.3 "Aux connection for temperature monitoring" per le istruzioni di collegamento e uno schema dei collegamenti.

10.1.3 Non si possono cambiare le impostazioni

Le impostazioni si possono cambiare solo se lo SmartShunt utilizza il firmware più aggiornato. Aggiornare il firmware mediante la App VictronConnect.

10.2 Problemi di connessione

10.2.1 Non è possibile collegarsi tramite Bluetooth

È altamente improbabile che l'interfaccia Bluetooth dello SmartShunt sia guasta. Alcuni trucchi da provare prima di rivolgersi all'assistenza:

- È alimentato lo SmartShunt? La spia blu dovrebbe essere lampeggiante. Se la luce blu non lampeggia, vedere il paragrafo 10.1.1: "Unit is dead, no lights on".

- È stato già collegato un altro telefono o tablet allo SmartShunt? Se la luce blu è accesa e non lampeggia, indica questa situazione. Non può esserci più di un solo telefono o tablet collegato allo SmartShunt allo stesso tempo. Assicurarsi che non ci siano altri dispositivi collegati e riprovare.
- È aggiornata la App VictronConnect?
- Siete abbastanza vicini allo SmartShunt? In uno spazio aperto, la massima distanza consentita è di circa 20 metri.
- Si sta usando la versione Windows della App VictronConnect? Questa versione non supporta il Bluetooth. Utilizzare Android, iOS o MacOS (oppure l'interfaccia USB - VE.Direct).
- È stato spento il Bluetooth nelle impostazioni? Vedere il paragrafo 7.5.5 "Disabling and re-enabling Bluetooth".

Per i problemi di connessione, vedere la sezione per la risoluzione dei problemi del manuale VictronConnect: <https://www.victronenergy.com/live/victronconnect:start>

10.2.2 Codice PIN perso

Se si è perso il codice PIN, si dovrà ripristinare il codice PIN a quello per difetto, vedere il paragrafo 7.5.4: "Changing PIN code".

Ulteriori informazioni e istruzioni specifiche si trovano nel manuale di VictronConnect: <https://www.victronenergy.com/live/victronconnect:start>

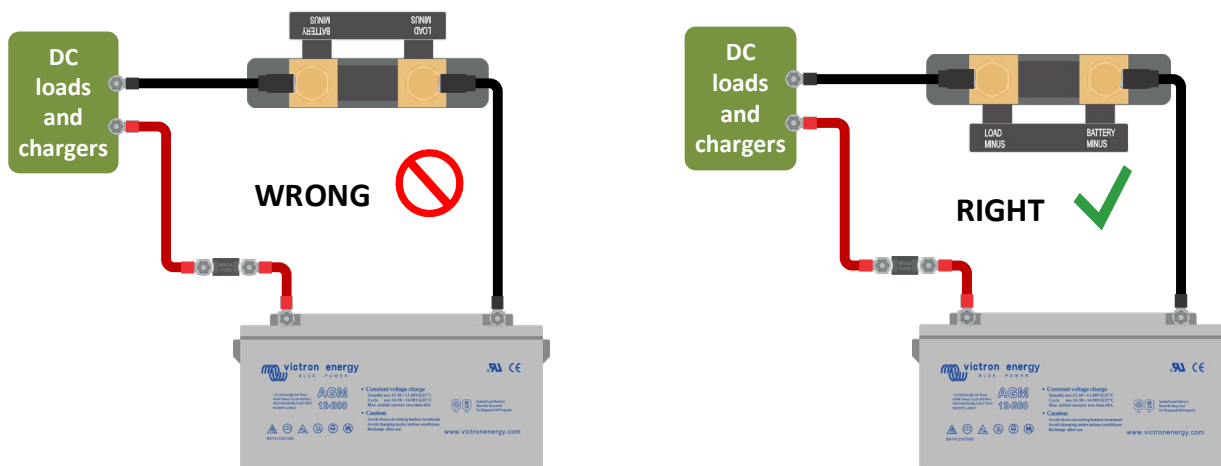
10.3 Letture erranee

10.3.1 La corrente di carica e scarica è stata invertita

La corrente di carica deve apparire come valore positivo. Ad esempio: 1.45A.

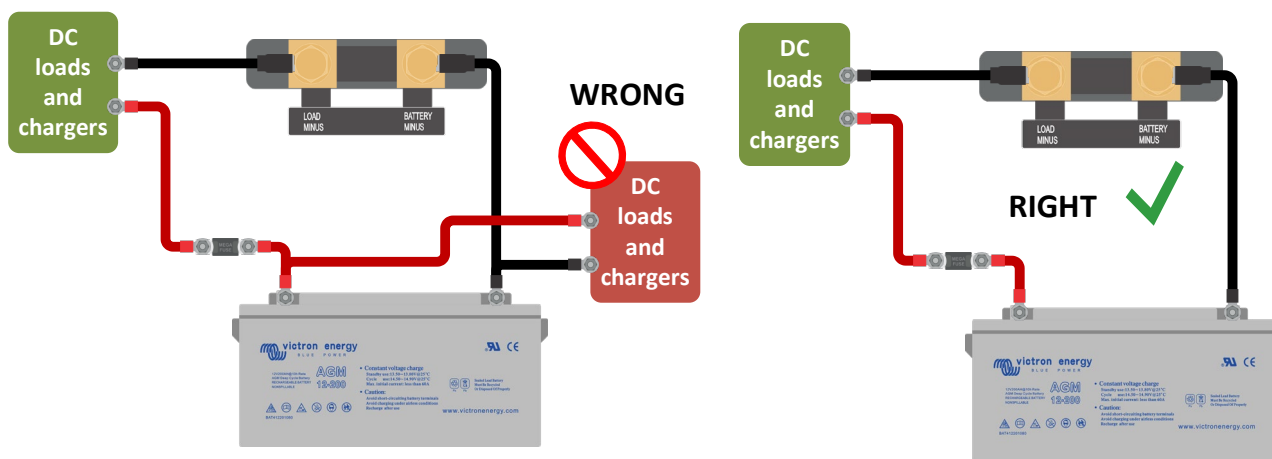
La corrente di scarica deve apparire come valore negativo. Ad esempio: -1.45A.

Se la corrente di carica e scarica sono invertite, i cavi di alimentazione negativi dello SmartShunt devono essere scambiati. Vedere il paragrafo 3.3 "Basic electrical connections".



10.3.2 Lettura incompleta della corrente

I poli negativi di tutti i carichi e di tutte le sorgenti di carica del sistema devono essere collegati al lato negativo del carico dello SmartShunt. Se il polo negativo dei carichi o delle sorgenti di carica è collegato direttamente al morsetto negativo della batteria, le correnti verso questi carichi o sorgenti di carica non fluiranno attraverso lo SmartShunt e saranno esclusi dalla lettura della corrente e, di conseguenza, anche dalla lettura dello stato della carica. Lo SmartShunt mostrerà uno stato della carica più alto dell'attuale stato di carica della batteria.



10.3.3 Appare una lettura della corrente ma non c'è flusso di corrente

Eseguire una calibrazione della corrente zero mentre tutti i carichi sono spenti (paragrafo 7.1.13) o configurare la soglia di corrente (paragrafo 7.1.8).

10.3.4 Lettura erronea dello stato della carica

Stato della carica erroneo in seguito a problemi di sincronizzazione

Lo stato della carica è un valore calcolato e ogni tanto deve essere ripristinato (sincronizzato). I seguenti parametri influiranno sul calcolo dello stato della carica, se sono stati configurati correttamente:

- Capacità della batteria
- Tensione caricata e corrente di coda
- Coefficiente Peukert e fattore di efficienza di carica
- Stato della carica e impostazioni di sincronizzazione

Per ulteriori informazioni riguardo questi parametri, vedere il paragrafo 7.1: "Battery settings".

Vedere anche il paragrafo **¡Error! No se encuentra el origen de la referencia.:** "¡Error! No se encuentra el origen de la referencia."

Stato della carica erroneo in seguito a lettura erronea della corrente

Lo stato della carica si calcola osservando quanta corrente entra ed esce dalla batteria. Se la lettura della corrente è erronea, anche lo stato della carica sarà erroneo. Vedere il paragrafo **¡Error! No se encuentra el origen de la referencia.:** "¡Error! No se encuentra el origen de la referencia."

10.3.5 Lo stato della carica indica tre linee "..."

Significa che lo SmartShunt si trova in uno stato di non sincronizzazione. Ciò succede soprattutto quando lo SmartShunt è appena stato installato o quando lo SmartShunt è stato privo di alimentazione e viene alimentato di nuovo. Caricare le batterie e lo SmartShunt dovrebbe sincronizzarsi automaticamente. Se il problema persiste, rivedere le impostazioni di sincronizzazione. Vedere il paragrafo 5.3: "Synchronising the SmartShunt". Se si sa che la batteria è completamente carica, ma non si vuole attendere che lo SmartShunt si sincronizzi, premere il pulsante Sincronizza SoC al 100%, vedere il paragrafo 7.1.12: "Synchronise SoC to 100%".

10.3.6 Lo stato della carica non raggiunge il 100%

Lo SmartShunt si sincronizzerà e ripristinerà lo stato della carica al 100% non appena la batteria sia completamente carica. Caricare completamente la batteria e controllare che lo SmartShunt rilevi correttamente

se la batteria è completamente carica. Se lo SmartShunt non rileva che la batteria è stata completamente ricaricata, si dovrà controllare o regolare le impostazioni di tensione caricata, corrente di coda e/o tempo di carica. Per ulteriori informazioni, vedere paragrafo 5.3.1: “Automatic synchronisation”.

Lo stato della carica non aumenta abbastanza velocemente durante la carica

Controllare che la capacità della batteria sia stata impostata correttamente. Vedere il paragrafo 7.1.1 “Battery capacity”.

Lo stato della carica mostra sempre 100%

Una ragione può essere che i cavi negativi dello SmartShunt sono stati collegati erroneamente, invertendoli, vedere il paragrafo **¡Error! No se encuentra el origen de la referencia.:** “**¡Error! No se encuentra el origen de la referencia.**”.

10.3.7 Lettura tensione erronea

Tensione batteria principale troppo bassa

Problemi con il cavo Vbatt+, forse il fusibile, con il cavo stesso oppure uno dei morsetti è difettoso o presenta delle connessioni allentate.

Cablaggio erroneo: il cavo Vbatt+ deve essere collegato al polo positivo del banco batterie, non nel mezzo dello stesso banco batterie.

Se si usa il sensore di temperatura, assicurarsi che il sensore sia collegato al morsetto positivo del banco batterie, non nel mezzo dello stesso banco batterie.

Tensione batteria di avviamento troppo bassa

Problemi con il cavo cavo Aux, forse il fusibile, con il cavo stesso oppure uno dei morsetti è difettoso o presenta delle connessioni allentate.

Tensione della batteria di avviamento non presente

Assicurarsi che entrambe le batterie condividano un polo negativo comune. Per le istruzioni su come cablare correttamente la batteria di avviamento, vedere il paragrafo 3.4.1: “Aux connection for monitoring the voltage of a second battery”.

10.3.8 Problemi di sincronizzazione

Lo SmartShunt non si sincronizza automaticamente

Una causa può essere che la batteria non arriva mai allo stato di carica completa. Caricare completamente la batteria e vedere se lo stato della carica indica 100%.

L'altra possibilità è che l'impostazione della tensione caricata debba essere abbassata e/o la corrente di coda debba essere aumentata. Vedere il paragrafo 5.3 “Synchronising the SmartShunt”.

Lo SmartShunt si sincronizza troppo presto

Ciò si può verificare nei sistemi solari o in altre applicazioni con correnti di carica fluttuanti. Prendere le seguenti misure per ridurre la probabilità che lo SmartShunt imposti prematuramente lo stato della carica su 100%:

- Aumentare la tensione “caricata” fin ad arrivare leggermente al di sotto della tensione di carica di assorbimento. Ad esempio: 14,2 V in caso di una tensione di assorbimento di 14,4 V (per le batterie da 12 V).
- Aumentare il “tempo di rilevamento batteria carica” e/o diminuire la corrente di coda, per evitare un ripristino prematuro dovuto a una nuvola di passaggio.
- Vedere il paragrafo 5.3 “Synchronising the SmartShunt”.

Lo stato della carica indica tre linee “---”:

Significa che lo SmartShunt si trova in uno stato di non sincronizzazione. Ciò succede soprattutto quando lo SmartShunt è appena stato installato o quando lo SmartShunt è stato privo di alimentazione e viene alimentato di nuovo. Caricare le batterie e lo SmartShunt dovrebbe sincronizzarsi automaticamente. Se il problema persiste, rivedere le impostazioni di sincronizzazione. Vedere il paragrafo 5.3: “Synchronising the SmartShunt”.

Se si sa che la batteria è completamente carica, ma non si vuole attendere che lo SmartShunt si sincronizzi, premere il pulsante Sincronizza SoC al 100%, vedere il paragrafo 7.1.12: “Synchronise SoC to 100%”.

11 DATI TECNICI

SmartShunt	500A / 1000A / 2000A
Campo di tensione di alimentazione	6.5 - 70 VCC
Corrente assorbita	< 1mA
Campo di tensione d'ingresso, batteria ausiliaria	6.5 - 70 VCC
Capacità batterie (Ah)	1 - 9999 Ah
Campo temperatura di esercizio	-40 +50°C (-40 - 120°F)
Misura la tensione di una seconda batteria, temperatura* o punto medio	Sì
Intervallo di misurazione della temperatura*	-20 +50°C
Porta di comunicazione VE.Direct	Sì
RISOLUZIONE E PRECISIONE	
Corrente	± 0.1 A
Tensione	± 0.01V
Amperora	± 0.1 Ah
Stato di carica (0 - 100%)	0.1%
Tempo restante	± 1 min
Temperatura (0 - 50°C o 30 - 120°F)	± 1°C/°F
Precisione della misurazione della corrente	0.4%
Offset	Meno di 10 / 20 / 40 mA
Precisione della misurazione della tensione	0.3%
INSTALLAZIONE E DIMENSIONI	
Dimensioni (a x l x p)	500 A: 46 x 120 x 54 mm 1000A: 68 x 120 x 54 mm 2000A: 68 x 120 x 76 mm
Categoria protezione	IP21
NORMATIVE	
Sicurezza	EN 60335-1
Emissioni / Inalterabilità	EN-IEC 61000-6-1 EN-IEC 61000-6-2 EN-IEC 61000-6-3
Settore automobilistico	EN 50498
Cavi (inclusi)	2 cavi con fusibile per connessione "+" e Aux
Sensore temperatura	Opzionale (ASS000100000)

*Solo quando il sensore di temperatura opzionale è collegato, sensore di temperatura non compreso

Índice

1	Precauções de segurança	4
1.1	Advertências de segurança da bateria	4
1.2	Transporte e armazenamento	4
2	Introdução	5
2.1	SmartShunt	5
2.2	Porque devo controlar a minha bateria?	5
2.3	Dimensionamento	5
2.4	VictronConnect	5
2.5	Acessórios	5
3	Instalação	6
3.1	O que está na caixa?	6
3.2	Montagem	6
3.3	Ligações elétricas básicas	6
3.3.1	Ligação negativa da bateria	6
3.3.2	Ligação negativa da carga	6
3.3.3	Ligação Vbatt+	6
3.4	Ligações elétricas auxiliares	7
3.4.1	Ligação Aux para monitorizar a tensão de uma segunda bateria	7
3.4.2	Ligação Aux para monitorizar o ponto médio de um banco de baterias	7
3.4.3	Ligação Aux para monitorizar a temperatura	8
3.5	Ligação de dispositivo GX	8
4	Entrada em funcionamento	10
4.1	Descarregar e instalar a VictronConnect	10
4.2	Colocar o fusível	10
4.3	Ligar ao SmartShunt	10
4.4	Atualizar <i>firmware</i>	10
4.5	Fazer definições essenciais	10
4.5.1	Introduzir a definição da capacidade da bateria	11
4.5.2	Introduzir a definição da tensão de carga	11
4.5.3	Definições do estado da carga	11
4.5.4	Definir a função da entrada auxiliar	12
4.6	Definições para lítio (se necessárias)	12
5	Funcionamento	13
5.1	Como funciona o SmartShunt?	13
5.2	Vista geral de leituras	13
5.3	Sincronizar o SmartShunt	14
5.3.1	Sincronização automática	14
5.3.2	Sincronização manual	15
5.4	Alarmes	15
5.5	Dados históricos	16

5.6	Tendências	16
5.7	Códigos de estado por LED	16
6	Interfaces	18
6.1	VictronConnect através de USB.....	18
6.2	Ligar a um dispositivo GX e VRM.....	18
6.3	Ligar a uma rede VE.Smart.....	19
6.4	Integração personalizada (programação necessária)	20
7	Todas as características e definições	21
7.1	Definições da bateria	21
7.1.1	Capacidade da bateria	21
7.1.2	Tensão de carga	21
7.1.3	Limite de descarga	21
7.1.4	Corrente de cauda	21
7.1.5	Tempo de deteção da carga.....	22
7.1.6	Expoente de Peukert.....	22
7.1.7	Fator de eficiência da carga	22
7.1.8	Limiar de corrente	22
7.1.9	Período médio do tempo restante.....	23
7.1.10	Arranque sincronizado da bateria	23
7.1.11	Estado da carga.....	23
7.1.12	Sincronizar SoC para 100 %	23
7.1.13	Calibração da corrente zero	23
7.2	Definições de alarme	24
7.2.1	Definição de alarme SoC.....	24
7.2.2	Alarme de tensão baixa.....	24
7.2.3	Alarme de tensão alta	24
7.2.4	Alarme de tensão de bateria de arranque baixa.....	25
7.2.5	Alarme de tensão de bateria de arranque alta	25
7.2.6	Alarme de desvio do ponto médio	25
7.2.7	Alarme de tensão elevada.....	26
7.2.8	Alarme de temperatura baixa	26
7.3	Definições diversas.....	26
7.3.1	Entrada Aux	26
7.3.2	Coeficiente de temperatura	26
7.4	Definição da temperatura da unidade.....	27
7.5	Definições do produto	27
7.5.1	Repor definições por defeito.....	27
7.5.2	Nome personalizado	27
7.5.3	<i>Firmware</i>	27
7.5.4	Alterar o código PIN	27
7.5.5	Desativar e voltar a ativar o <i>bluetooth</i>	28

7.5.6	Número de série.....	28
7.6	Definições de guardar, carregar e partilhar.....	28
7.7	Histórico de reinicialização.....	28
7.8	Reiniciar o código PIN	28
8	Capacidade da bateria e o expoente Peukert	29
9	Monitorização da tensão do ponto médio	31
9.1	Esquema de ligações do ponto médio e do banco de baterias	31
9.1.1	Ligar e monitorizar o ponto médio num banco de baterias de 24 V	31
9.1.2	Ligar e monitorizar o ponto médio num banco de baterias de 48 V	32
9.2	Cálculo do desvio do ponto médio	32
9.3	Definir o nível do alarme	33
9.4	Atraso do alarme	33
9.5	Atuação em caso de alarme durante o carregamento.....	33
9.6	Atuação em caso de alarme durante a descarga.....	34
9.7	Regulador de bateria	34
10	Resolução de problemas.....	35
10.1	Problemas de funcionalidade	35
10.1.1	A unidade não se liga, sem luzes acesas	35
10.1.2	A porta auxiliar não funciona	35
10.1.3	Não consigo alterar as definições.....	35
10.2	Problemas de ligação.....	35
10.2.1	Não é possível conectar por <i>bluetooth</i>	35
10.2.2	Perda do código PIN	36
10.3	Leituras incorretas	36
10.3.1	A corrente de carga e a de descarga estão invertidas.....	36
10.3.2	Leitura de corrente incompleta	37
10.3.3	Existe uma leitura de corrente sem fluxo	37
10.3.4	Leitura incorreta do estado da carga	37
10.3.5	O estado da carga indica três traços “---”	37
10.3.6	O estado da carga não atinge 100 %.....	38
10.3.7	Leitura da tensão incorreta.....	38
10.3.8	Problemas de sincronização.....	38
11	Informação técnica	39

1 PRECAUÇÕES DE SEGURANÇA

1.1 Advertências de segurança da bateria



Trabalhar na proximidade de uma bateria de chumbo e ácido é perigoso. As baterias podem produzir gases explosivos durante o funcionamento. Nunca fumar nem autorizar a produção de faíscas ou chamas na proximidade de uma bateria. Proporcionar uma ventilação suficiente em redor da bateria.



Usar vestuário e óculos de proteção. Evitar tocar nos olhos ao trabalhar na proximidade de baterias. Lavar as mãos no final.



Se o ácido da bateria atingir a pele ou a roupa, lavar imediatamente com água e detergente. Se o ácido se introduzir nos olhos, enxaguar imediatamente com água fria corrente durante, pelo menos, 15 min e consultar um especialista rapidamente.



Atuar com cuidado ao utilizar ferramentas metálicas na proximidade de baterias. Se uma ferramenta metálica cair sobre uma bateria, pode provocar um curto-circuito e, possivelmente, uma explosão.



Tirar os objetos pessoais metálicos como anéis, pulseiras, colares e relógios ao trabalhar com uma bateria. Uma bateria pode produzir uma corrente de curto-circuito suficientemente elevada para derreter esses objetos, provocando queimaduras graves.

1.2 Transporte e armazenamento

Guardar o SmartShunt num ambiente seco.

A temperatura de armazenagem deve ser: De -40 °C a +60 °C.

2 INTRODUÇÃO

2.1 SmartShunt

O SmartShunt é um monitor de bateria. Este aparelho mede a tensão e a corrente da bateria. Com base nestas medidas, calcula o estado da carga, o tempo restante e segue os dados históricos, como a descarga mais profunda, a descarga média e o número de ciclos.

O SmartShunt pode ser ligado por *bluetooth* à [aplicação VictronConnect](#). Esta aplicação pode ser utilizada para realizar a leitura de todos os parâmetros de bateria monitorizados e também para introduzir ou alterar as definições. Em alternativa, o SmartShunt pode ser ligado a um [dispositivo GX](#), como o ColorControl GX ou o Cerbo GX.

O SmartShunt dispõe de uma entrada auxiliar que pode ser utilizada para monitorizar a tensão de uma segunda bateria ou o ponto médio de um banco de baterias. A entrada auxiliar também pode servir para monitorizar a temperatura da bateria através [do sensor de temperatura para BMV](#).

2.2 Porque devo controlar a minha bateria?

As baterias são utilizadas numa grande variedade de aplicações, mas sobretudo para armazenar energia que será usada posteriormente. Mas quanta energia é acumulada na bateria? Olhar para uma bateria não proporciona esta informação.

A vida útil das baterias depende de vários fatores. A sua durabilidade pode ser encurtada por uma carga insuficiente ou excessiva, por descargas demasiado profundas, por uma corrente de carga ou de descarga excessiva ou por uma temperatura ambiente elevada. Controlar a bateria com um monitor avançado proporcionará ao utilizador informação muito relevante para tomar medidas corretoras quando for necessário. Fazer isto prolonga a vida útil da bateria e permite recuperar rapidamente o investimento no aparelho.

2.3 Dimensionamento

O SmartShunt está disponível em três dimensões: 500 A, 1000 A e 2000 A.

2.4 VictronConnect

A VictronConnect é uma aplicação grátis e disponível para Android, iOS, MacOS ou Windows. Pode ser descarregada respetivamente nas lojas de aplicações ou na nossa página de *downloads*. Esta aplicação é necessária para configurar e realizar as leituras do SmartShunt.

2.5 Acessórios

Estas peças podem ser necessárias, dependendo da configuração:

- Sensor de temperatura para BMV.
- *Interface* VE.Direct para USB.
- Dispositivo GX.
- Cabo VE.Direct

3 INSTALAÇÃO

3.1 O que está na caixa?

Na caixa vai encontrar as seguintes peças:

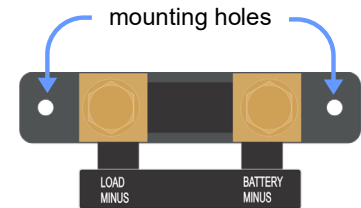
- SmartShunt 500 A, 1000 A ou 2000 A.
- Dois cabos vermelhos, ambos com fusível.



3.2 Montagem

O SmartShunt integra dois orifícios de 5.5 mm na sua base para realizar a montagem. Os orifícios podem ser utilizados para aparafusar o SmartShunt numa superfície (parafusos não incluídos).

Este aparelho possui uma classificação IP21. Isto significa que não é impermeável e que deve ser montado num local seco.



3.3 Ligações elétricas básicas

O SmartShunt dispõe de três ligações essenciais e uma opcional. Esta secção descreve como fazer as ligações.

3.3.1 Ligação negativa da bateria

Ligue o negativo da bateria ao parafuso M10 no lado “NEGATIVO BATERIA” do SmartShunt.

3.3.2 Ligação negativa da carga

Ligue o negativo da carga do sistema elétrico ao parafuso M10 no lado “NEGATIVO CARGA” do SmartShunt. Certifique-se de que o negativo de todas as cargas CC e das fontes de carregamento é ligado “depois” do SmartShunt.

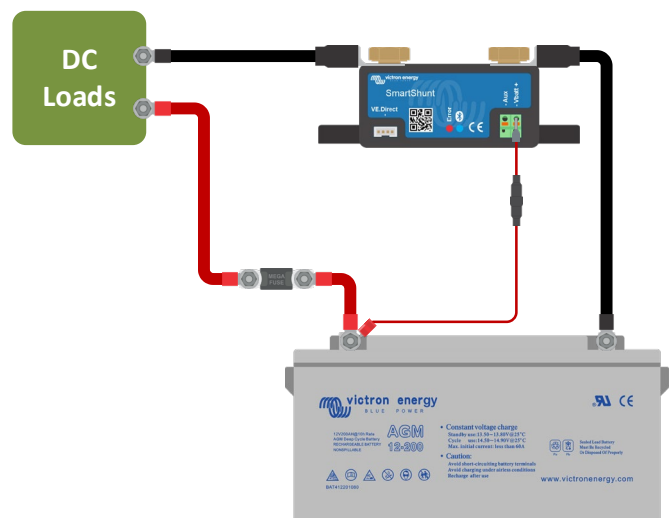
3.3.3 Ligação Vbatt+

Ligue o terminal M8 do cabo vermelho com fusível ao terminal positivo da bateria.

Introduza o pino de ponteira do cabo vermelho com fusível conectável ao SmartShunt mediante pressão no terminal “Vbatt+”.

Logo que o fusível seja colocado no cabo, o *bluetooth* do SmartShunt fica intermitente. Neste momento, o SmartShunt está ativo. O passo seguinte é realizar a configuração através da aplicação VictronConnect. Tudo isto será explicado no capítulo 4: “Commissioning”.

Se a porta Aux for utilizada para monitorizar uma segunda bateria, o ponto médio ou a temperatura, consulte uma das três secções seguintes sobre como fazer isto e depois consulte o capítulo 4: “Colocação em funcionamento”.



3.4 Ligações elétricas auxiliares

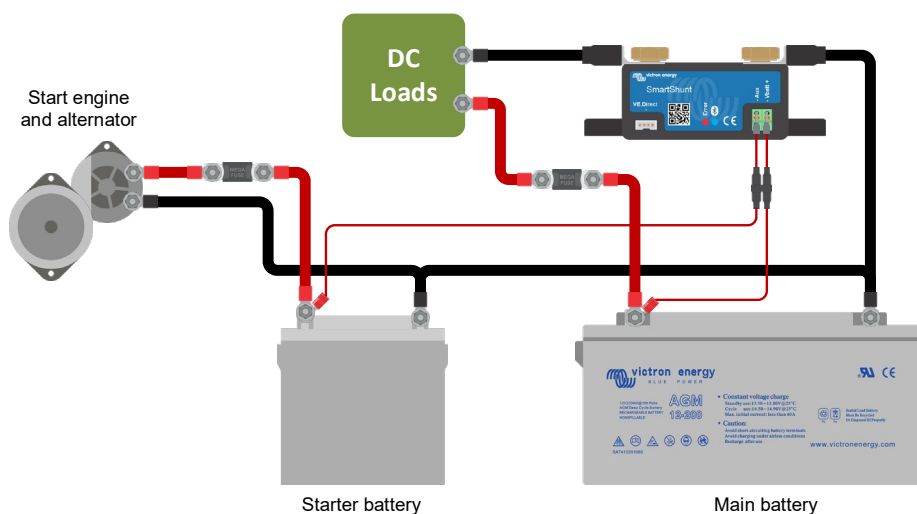
Para além da monitorização exaustiva do banco de baterias principal, o SmartShunt pode monitorizar um segundo parâmetro. Este pode ser a tensão de uma segunda bateria (de arranque), o desvio do ponto médio de um banco de baterias ou a temperatura da bateria. Para isso, está equipado com uma segunda entrada de monitorização, a entrada Aux. Este capítulo descreve como ligar a entrada Aux para as três opções configuráveis.

3.4.1 Ligação Aux para monitorizar a tensão de uma segunda bateria

A ligação Aux pode ser utilizada para monitorizar a tensão de uma segunda bateria, como uma bateria de arranque.

Eis como fazer as ligações:

- Ligue o terminal M8 do cabo vermelho com fusível ao terminal positivo da segunda bateria.
- Introduza o pino de ponteira do cabo vermelho com fusível conectável ao SmartShunt mediante pressão no terminal "Aux".
- Certifique-se de que o negativo da bateria principal e o negativo da segunda bateria são comuns.

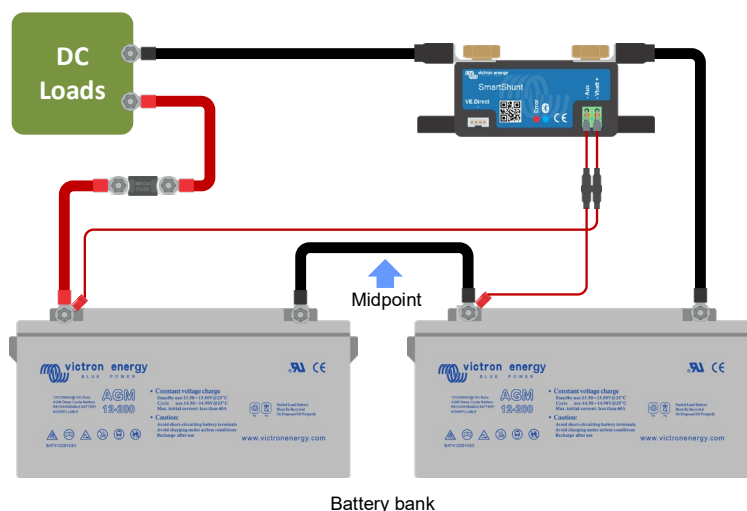


3.4.2 Ligação Aux para monitorizar o ponto médio de um banco de baterias

A ligação Aux pode ser utilizada para monitorizar a tensão do ponto médio de um banco de baterias, formado por várias baterias ligadas em série para criar um banco de 24 V ou 48 V.

Eis como fazer as ligações:

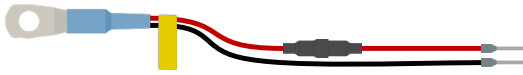
- Ligue o terminal M8 do cabo vermelho com fusível ao terminal positivo do ponto médio.
- Introduza o pino de ponteira do cabo vermelho com fusível conectável ao SmartShunt mediante pressão no terminal "Aux".



Para mais informação sobre a monitorização do ponto médio, consulte o capítulo 9. Este capítulo também proporciona informação e diagramas de ligações relativos à monitorização do ponto médio dos bancos de baterias ligados em série/paralelo.

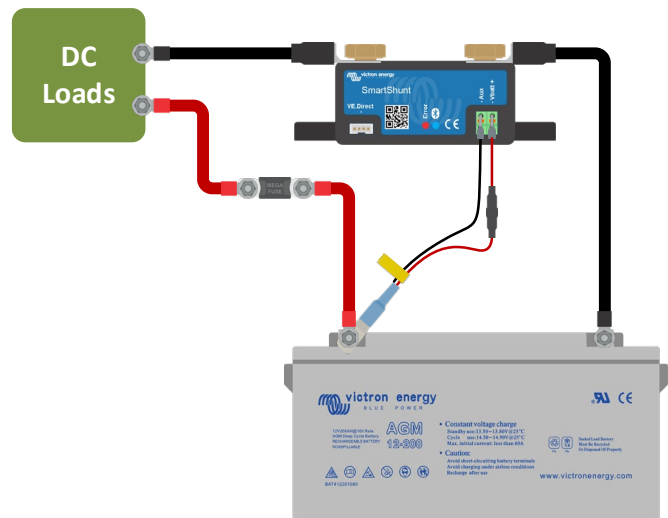
3.4.3 Ligação Aux para monitorizar a temperatura

A ligação Aux pode ser utilizada para monitorizar a temperatura de uma bateria. Para esta funcionalidade, você precisará de comprar: “Sensor de temperatura para BMV”. É um cabo com um sensor de temperatura integrado com o número de peça ASS000100000. Tenha em conta que este sensor difere dos sensores de temperatura utilizados nos inversores/carregadores e carregadores de bateria Victron.



Eis como fazer as ligações:

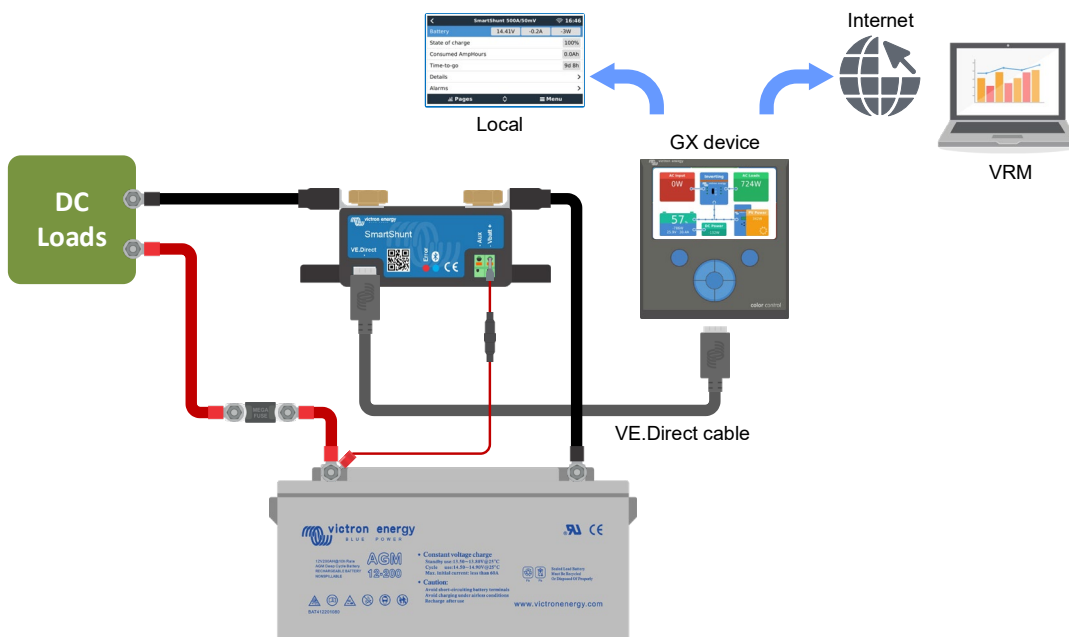
- Ligue o olhal de cabo M8 do sensor de temperatura ao terminal positivo da bateria.
- Introduza o pino de ponteira do cabo vermelho (com fusível) conectável ao SmartShunt mediante pressão no terminal “Vbatt+”.
- Introduza o pino de ponteira do cabo negro conectável ao SmartShunt mediante pressão no terminal “Aux”.



Se usar o sensor de temperatura, os cabos elétricos vermelhos incluídos com o SmartShunt não são necessários. O sensor de temperatura vai substituir estes cabos.

3.5 Ligação de dispositivo GX

Se o sistema incluir um dispositivo GX, o SmartShunt pode ser ligado a um dispositivo GX através de um cabo VE.Direct. Após a ligação, o dispositivo GX pode ser utilizado para ler todos os



parâmetros de bateria monitorizados. Para mais informação, consulte o capítulo 6.2: “Connecting to a GX device and VRM”.

4 ENTRADA EM FUNCIONAMENTO

Depois de realizar as ligações elétricas, precisa de configurar o SmartShunt. Isto pode ser feito com a aplicação VictronConnect. Esta aplicação é necessária para configurar e fazer as leituras do SmartShunt.

4.1 Descarregar e instalar a VictronConnect

Para conseguir comunicar e configurar o SmartShunt vai precisar de utilizar a aplicação VictronConnect. A VictronConnect é gratuita e está disponível para Android, iOS, MacOS ou Windows. Pode ser descarregada das lojas de aplicações respetivas. Ou em alternativa, consulte a secção de *Downloads* no nosso *site*:

<https://www.victronenergy.com/support-and-downloads/software>.

4.2 Colocar o fusível

Se ainda não tiver feito isto, posicione o fusível no cabo Vbatt+. A luz azul de *bluetooth* deve começar a piscar.

4.3 Ligar ao SmartShunt

Faça a ligação ao SmartShunt através da aplicação VictronConnect. Isto pode ser feito através do *bluetooth*. Também é possível conectar o SmartShunt por USB ou através da VRM (Monitorização Remota Victron). Para mais informação, consulte o capítulo 6: “*Interfacing*”.

Eis como fazer a ligação:

- Abra a aplicação VictronConnect.
- Procure o SmartShunt na lista de dispositivos.
- Clique no SmartShunt.
- Introduza o código PIN predefinido: 000000.
- Quando estiver ligado corretamente, a luz de *bluetooth* permanece acesa.

Depois de introduzir o código PIN predefinido, a VictronConnect vai pedir para o alterar. Isto previne as ligações não autorizadas futuras. É recomendável alterar o código PIN na primeira instalação. Pode fazer isto no separador de informação do produto. Consulte a secção 7.5.4: “*Changing PIN code*”.

Para mais informação sobre a VictronConnect, consulte o manual respetivo:

<https://www.victronenergy.com/live/victronconnect:start>.

4.4 Atualizar *firmware*

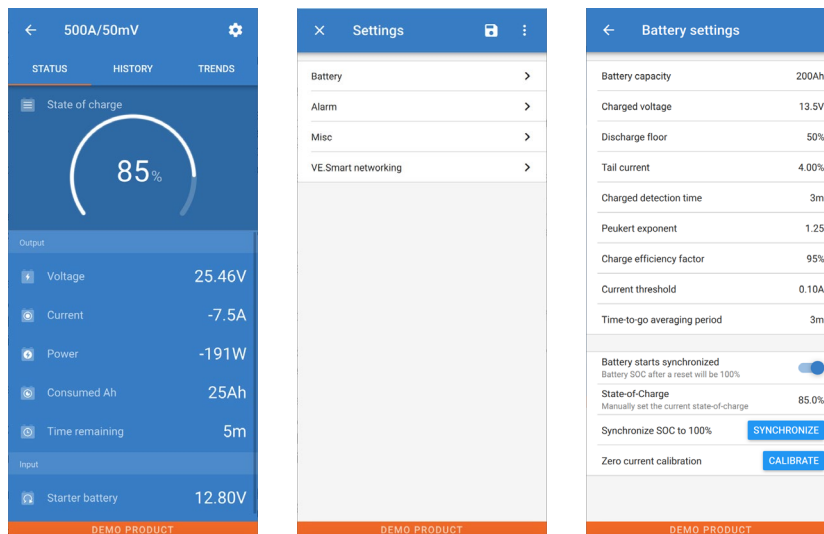
Na primeira ligação, a VictronConnect pode pedir para atualizar o *firmware* da *interface* de *bluetooth* e/ou do SmartShunt. Deve fazer isto sempre na primeira instalação. Sem o *firmware* atualizado não é possível alterar as configurações e apenas a monitorização está ativa.

4.5 Fazer definições essenciais

As definições por defeito do SmartShunt são adaptadas para as baterias de chumbo-ácido (baterias inundadas, GEL ou AGM).

Lembre-se de que, em caso de baterias de lítio ou com uma química diferente, precisará de alterar diversas definições adicionais. Primeiro realize as configurações essenciais descritas nesta secção e depois consulte na secção seguinte as definições especiais para lítio. Em alternativa, contacte o seu fornecedor de baterias e consulte a secção 7.1: “*Battery settings*”.

Para introduzir as definições, navegue até ao menu respetivo clicando no botão de definições , no lado direito superior da aplicação VictronConnect.



A maior parte das definições pode ser mantida por defeito. Mas existem algumas que precisam de ser alteradas. Estas são:

- Capacidade da bateria.
- Tensão de carga.
- Estado da carga ou arranque sincronizado.
- A funcionalidade da entrada auxiliar (se utilizada).

Se quiser saber o que significam todas as outras definições, consulte a secção 7.1: “Battery settings”.

4.5.1 Introduzir a definição da capacidade da bateria

Esta definição pode ser encontrada em VictronConnect > Definições > Bateria

Por defeito, o SmartShunt está definido como 200 Ah. Altere este valor para corresponder à capacidade da sua bateria. Para mais informação sobre a capacidade da bateria, consulte a secção 7.1.1: “Battery capacity”.

4.5.2 Introduzir a definição da tensão de carga

Esta definição pode ser encontrada em VictronConnect > Definições > Bateria

Por defeito, o SmartShunt está definido como 0.0 V. O SmartShunt não deteta automaticamente a tensão do sistema como o BMV. Você precisa de definir a “Tensão de carga”

Estes são os valores de “Tensão de carga” recomendados:

Tensão de bateria nominal	Definição de tensão de carga recomendada
12 V	13.2V
24 V	26.4 V
36 V	39.6 V
48 V	52.8 V

Para mais informação sobre o parâmetro da tensão de carga, consulte a secção 7.1.2: “Charged voltage”.

4.5.3 Definições do estado da carga

Esta definição pode ser encontrada em VictronConnect > Definições > Bateria

Ao ser ligado pela primeira vez, o SmartShunt visualiza por defeito um estado de carga de 100 %. Se quiser alterá-lo para um valor diferente, pode definir manualmente o valor do estado da carga. Para mais informação, consulte a secção 7.1.10: “Battery starts synchronised” e a secção 7.1.11: “State of charge”.

4.5.4 Definir a função da entrada auxiliar

Esta definição pode ser encontrada em VictronConnect > Definições > Diversos

Esta definição configura a função da entrada auxiliar, sendo:

- Bateria de arranque - Monitorização da tensão de uma segunda bateria.
- Ponto médio - Medição do ponto médio de um banco de baterias.
- Temperatura - Medição da temperatura da bateria através de um sensor de temperatura opcional.

4.6 Definições para lítio (se necessárias)

O LiFePO₄ (fosfato de ferro-lítio ou LFP) é a química de bateria de íões de lítio mais usada. De uma forma geral, as definições por defeito também são aplicáveis a baterias LFP, com a exceção das seguintes:

- Eficiência do carregamento.
- Expoente de Peukert
- Corrente de cauda.

Eficiência do carregamento.

A eficiência de carregamento das baterias Li-ion é muito superior à das baterias ácido-chumbo: Recomendamos configurar a eficiência de carregamento em 99 %. Para mais informação, consulte a secção 7.1.7: “Charge efficiency factor”.

Expoente de Peukert

Quando são submetidas a taxas de descarga elevadas, as baterias de lítio apresentam um melhor desempenho do que as baterias ácido-chumbo. Defina o expoente de Peukert em 1.05, exceto se o fornecedor de bateria recomendar o contrário.

Corrente de cauda

Alguns carregadores de baterias de lítio interrompem a carga se a corrente for inferior a um limiar definido. A corrente de cauda tem de ser configurada com um valor superior, neste caso.

Limite de descarga

Esta definição é utilizada no cálculo do “tempo restante”, estando configurada em 50 % por defeito. Usualmente as baterias de lítio podem descarregar significativamente mais de 50 %. O limite de descarga pode ser definido para um valor de 10 % a 20 %, exceto se o fornecedor da bateria recomendar o contrário.

Aviso importante

As baterias de lítio são dispendiosas e podem ser danificadas irremediavelmente por uma descarga muito profunda ou por um carregamento excessivo. Os danos por descarga profunda podem ocorrer se pequenas cargas descarregarem a bateria lentamente quando o sistema não estiver a ser utilizado. Alguns exemplos destas cargas são os sistemas de alarme, as correntes de espera das cargas CC e a descarga da corrente de retorno de carregadores de bateria ou de reguladores de carregamento.

A corrente de descarga residual é especialmente perigosa se o sistema tiver sido descarregado completamente e ocorrido um corte por uma tensão da célula baixa. Neste momento, o estado da carga pode ser tão baixo como 1 %. A bateria de lítio ficará danificada se a corrente restante for retirada da bateria. Este dano pode ser irreversível.

Por exemplo, uma corrente residual de 1mA pode danificar uma bateria de 100 Ah se a bateria for deixada num estado de descarregado durante mais de 40 dias ($1 \text{ mA} \times 24 \text{ h} \times 40 \text{ dias} = 0.96 \text{ Ah}$).

O SmartShunt retira <1 mA de uma bateria de 12V. Deste modo, a alimentação positiva tem de ser interrompida se um sistema com baterias Li-ion não for supervisionado durante um período suficientemente longo, de modo que a corrente retirada pelo SmartShunt descarregue completamente a bateria.

Em caso de qualquer dúvida sobre uma possível retirada de corrente residual, isole a bateria abrindo o interruptor respetivo, removendo o/s fusível/veis ou desligando o positivo da bateria quando o sistema não estiver a ser utilizado.

5 FUNCIONAMENTO

5.1 Como funciona o SmartShunt?

A função principal do SmartShunt é controlar e indicar o estado da carga de uma bateria, para saber a quantidade de carga que a bateria contém e prevenir uma descarga total inesperada.

O SmartShunt mede continuamente o fluxo de corrente que entra ou sai da bateria. A integração desta corrente no tempo, se for uma corrente fixa, resume-se à multiplicação da corrente pelo tempo, e proporciona a quantidade líquida de Ah adicionada ou extraída.

Por exemplo: uma corrente de descarga de 10 A durante 2 h vai extrair $10 \times 2 = 20$ Ah da bateria.

Para complicar as coisas, a capacidade efetiva de uma bateria depende da taxa de descarga, da eficiência de Peukert e, em menor medida, da temperatura. E para complicar tudo ainda mais, durante o carregamento de uma bateria, tem de ser "injetada" mais energia (Ah) do que aquela que pode ser obtida durante a descarga seguinte. Por outras palavras: a eficiência de carregamento é inferior a 100 %.

O SmartShunt considera todos estes fatores ao calcular o estado da carga.

5.2 Vista geral de leituras

O ecrã de estado do SmartShunt apresenta uma vista geral dos parâmetros importantes.

- Estado da carga.
- Tensão da bateria.
- Corrente da bateria
- Energia.
- Leitura da entrada Aux (bateria de arranque, ponto médio ou temperatura).

Estado da carga

Corresponde ao estado da carga da bateria em percentagem, sendo compensado pelo fator de Peukert e pela eficiência do carregamento. O estado da carga é a melhor maneira de monitorizar a bateria.

Um valor de 100.00 % indica uma bateria completamente carregada. E um valor de 0.0 % indica uma bateria completamente descarregada.

Tenha em conta que se o estado da carga indicar três traços: "---" isto significa que o SmartShunt está num estado não sincronizado. Isto ocorre principalmente quando SmartShunt acabar de ser instalado ou depois de ter sido deixado desligado e voltar a ser ligado. Para mais informação, consulte a secção 5.3: "Synchronising the SmartShunt".

Tensão

É a tensão terminal da bateria.

Corrente

É a corrente real que entra ou sai da bateria. Uma corrente negativa indica que está a ser retirada da bateria. É a corrente necessária para cargas CC. Uma corrente positiva significa que está a entrar na bateria. É a corrente proveniente das fontes de carregamento. Lembre-se de que o SmartShunt vai indicar sempre a corrente da bateria total, sendo esta a corrente que flui para o negativo da bateria menos a corrente que flui para fora da bateria.

Energia

A energia retirada ou recebida pela bateria.

Ah consumidos

O SmartShunt controla os Ah retirados da bateria, compensados pela eficiência.

Exemplo: Se for consumida uma corrente de 12A de uma bateria completamente carregada durante um período de 3 h, esta leitura será mostrada como - 36.0 Ah ($-12 \times 3 = -36$).

Lembre-se de que se Ah Consumidos indicar três traços: "---" isto significa que o SmartShunt está num estado não sincronizado. Isto ocorre principalmente quando SmartShunt acabar de ser instalado ou depois de ter sido deixado desligado e voltar a ser ligado. Para mais informação, consulte a secção 5.3: "Synchronising the SmartShunt".

Tempo restante

O SmartShunt também calcula o tempo durante o qual a bateria consegue manter a carga atual. É a leitura do “tempo restante” e representa o tempo real que falta para que a bateria atinja o limite de descarga. Por defeito, o limite de descarga é definido em 50 %. Para configurar o limite de descarga, consulte a secção 7.1.3: “Discharge floor”.

Se a carga flutuar demasiado, o melhor será não confiar nesta leitura, pois é momentânea e apenas deve ser utilizada como referência. Recomendamos sempre a leitura do estado da carga para um controlo preciso da bateria.

Se o “Tempo restante” indicar três traços: “---” isto significa que o SmartShunt está num estado não sincronizado. Isto ocorre quando SmartShunt acabar de ser instalado ou depois de o SmartShunt ter sido deixado desligado e volta a ser ligado. Para mais informação, consulte a secção 5.3: “Synchronising the SmartShunt”.

Entrada

É o estado da entrada Aux. Dependendo da definição da porta Aux, irá visualizar uma das seguintes opções:

- **Tensão da bateria de arranque:** Indica a tensão de uma segunda bateria.
- **Temperatura da bateria:** Indica a temperatura da bateria principal quando o sensor de temperatura opcional for utilizado.
- **Desvio da tensão do ponto médio:** Indica o desvio numa percentagem da tensão principal da secção superior do banco de baterias, em comparação com a tensão da secção inferior. Para mais informação sobre esta característica, consulte o capítulo 9. “Midpoint voltage monitoring”.

5.3 Sincronizar o SmartShunt

Para obter uma leitura fiável, o estado da carga da bateria apresentado no monitor deve ser sincronizado regularmente com o estado real da carga. Isto permite prevenir o desvio do valor “Estado da carga” com o tempo. Uma sincronização reiniciará o estado da carga da bateria para 100 %.

5.3.1 Sincronização automática

A sincronização é um processo automático e ocorre quando a bateria estiver completamente carregada. O SmartShunt vai observar alguns parâmetros para verificar se a bateria está completamente carregada. Considera a bateria como completamente carregada quando a tensão tiver atingido um determinado valor e a corrente for inferior a um determinado valor durante um tempo também determinado.

Estes parâmetros denominam-se:

- **Tensão de carga** - a tensão de flutuação de um carregador de bateria.
- **Corrente de cauda** - uma percentagem da capacidade da bateria.
- **Tempo de deteção da carga** - o tempo em minutos.

Logo que estes três parâmetros tenham sido satisfeitos, o SmartShunt define o valor do estado da carga para 100 %, sincronizando assim o estado da carga.

Exemplo:

No caso de uma bateria de 12 V, o SmartShunt reinicia o estado da carga da bateria para 100 % quando estes parâmetros tiverem sido cumpridos:

- a tensão supera 13.2V,
- a corrente de carga é menor que 4,0 % da capacidade da bateria total (p. ex., 8 A para uma bateria de 200 Ah) e,
- passaram 3 min com cumprimento das condições de tensão e de corrente.

Se o SmartShunt não fizer uma sincronização regular, o valor do estado da carga começa a desviar-se com o tempo. Isto deve-se a pequenas imprecisões do SmartShunt e à estimativa do expoente de Peukert. Quando uma bateria estiver completamente carregada e o carregador tiver iniciado a fase de flutuação, a bateria está

carregada e o SmartShunt vai fazer a sincronização automaticamente, com a definição do valor do estado da carga em 100 %.

5.3.2 Sincronização manual

O SmartShunt pode ser sincronizado manualmente, se necessário. Pode fazer isto carregando no botão de sincronizar das definições de bateria da aplicação VictronConnect.

Uma sincronização manual pode ser necessária em situações em que o SmartShunt não fizer a sincronização automaticamente. Por exemplo, é necessária na primeira instalação ou depois de a alimentação de tensão para o SmartShunt ter sido interrompida.

A sincronização manual também pode ser necessária quando a bateria não estiver completamente carregada ou se o SmartShunt não tiver detetado que a bateria foi completamente carregada porque a tensão, a corrente ou o tempo de carga foram definidos incorretamente. Neste caso, verifique as definições e certifique-se de que a bateria recebe regularmente uma carga completa.

5.4 Alarmes

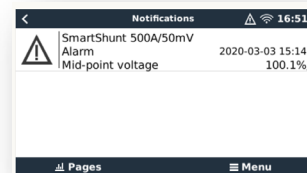
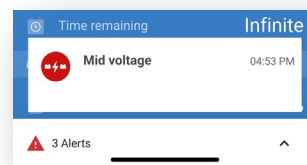
O SmartShunt pode ativar um alarme com as leituras que indiquem um estado da carga baixo, uma tensão da bateria elevada ou baixa, uma temperatura elevada ou baixa ou um determinado ponto médio. O alarme vai ativar-se quando o valor atingir um limiar definido e desativar-se quando o valor não atingir esse limiar.

O alarme é um alarme de *software*. Ao fazer a ligação com a aplicação VictronConnect e um alarme estiver ativo, este vai aparecer na aplicação. Ou, em alternativa, quando o SmartShunt estiver conectado a um dispositivo GX, o alarme vai aparecer no dispositivo GX ou num VRM.

No caso da VictronConnect, o alarme é reconhecido quando se carrega num botão.

E num dispositivo GX, o alarme é reconhecido quando for visualizado nas notificações. No entanto, o símbolo de alarme é visualizado enquanto permanecer a condição de alarme.

No entanto, tenha em conta que, ao contrário da gama de monitores de bateria BMV, o SmartShunt não inclui um relé de alarme ou sinal acústico. Caso seja necessário uma função de relé, conecte o SmartShunt a um dispositivo GX e utilize o relé no dispositivo GX com a funcionalidade SmartShunt.



5.5 Dados históricos

O SmartShunt armazena eventos históricos. Estes podem ser usados posteriormente para avaliar os padrões de utilização e o estado da bateria. O histórico pode ser acessado no separador “Histórico” na aplicação VictronConnect. Os dados históricos são guardados numa memória não volátil e não serão perdidos quando a fonte de alimentação do SmartShunt tiver sido interrompida ou quando tiver sido reiniciado para os valores predefinidos.

Informação de descarga em Ah

- Descarga mais profunda: O SmartShunt recorda a descarga mais profunda e de cada vez que bateria for descarregada ainda mais, o valor anterior será substituído.
- Última descarga: O SmartShunt controla a descarga durante o ciclo de corrente e visualiza o maior valor registado para os Ah consumidos desde a última sincronização.
- Descarga média: Os Ah acumulados retirados e divididos pelo número total de ciclos.
- Consumo acumulado de Ah: o valor acumulado de amperes por hora retirados da bateria durante a vida útil do SmartShunt.

Energia em kWh

- Energia descarregada: A quantidade total de energia consumida a partir da bateria em (k)Wh.
- Energia carregada: A quantidade total de energia absorvida pela bateria em (k)Wh.

Carga

- Ciclos de carga totais: O número dos ciclos de carga durante a vida útil do SmartShunt. Um ciclo de carga é contado quando o estado da carga for inferior a 65 % e depois superior a 90 %.
- Tempo desde a última carga total: Dias decorridos desde a última carga completa.
- Sincronizações: Número de sincronizações automáticas. É contada uma sincronização sempre que o estado da carga for inferior a 90 % antes de ocorrer uma sincronização.
- Número de descargas completas: Quantidade de descargas completas. Uma descarga completa é contada quando o estado da carga atingir 0%.

Tensão da bateria

- Tensão da bateria mínima: Tensão mais baixa da bateria.
- Tensão da bateria máxima: Tensão mais alta da bateria.
- Tensão de bateria de arranque mínima: Tensão mais baixa da bateria auxiliar (se aplicável).
- Tensão da bateria de arranque máxima: Tensão mais alta da bateria auxiliar (se aplicável).

Alarmes de tensão

- Alarmes de tensão baixa: Alarmes ativados por tensão baixa.
- Alarmes de tensão alta: Alarmes ativados por tensão alta.

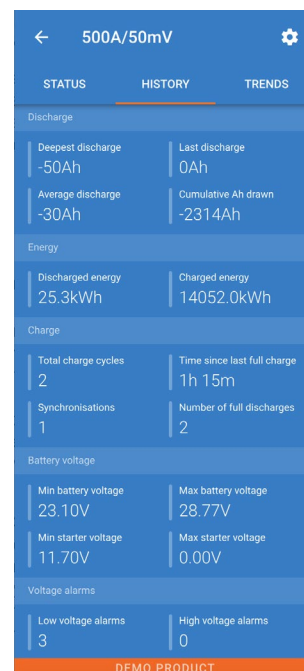
5.6 Tendências

A secção de “Tendências” da aplicação VictronConnect permite o registo de dados, mas apenas enquanto a aplicação estiver ligada e em comunicação com o SmartShunt. Vai registar em simultâneo dois dos seguintes parâmetros: tensão, corrente, Ah consumidos ou o estado da carga.

5.7 Códigos de estado por LED

O SmartShunt tem dois LED, um do estado do *bluetooth* (azul) e um LED de erro (vermelho). Estes LED são ambos associados à *interface* de *bluetooth* do SmartShunt.

- Ao ligar, o LED azul vai cintilar e o vermelho LED fica intermitente rapidamente. O LED vermelho emite uma intermitência breve para confirmar que está funcional.
- Quando o LED azul estiver intermitente, o SmartShunt está preparado para ser ligado à VictronConnect



500A/50mV			
STATUS	HISTORY	TRENDS	
Discharge			
Deepest discharge	-50Ah	Last discharge	0Ah
Average discharge	-30Ah	Cumulative Ah drawn	-2314Ah
Energy			
Discharged energy	25.3kWh	Charged energy	14052.0kWh
Charge			
Total charge cycles	2	Time since last full charge	1h 15m
Synchronisations	1	Number of full discharges	2
Battery voltage			
Min battery voltage	23.10V	Max battery voltage	28.77V
Min starter voltage	11.70V	Max starter voltage	0.00V
Voltage alarms			
Low voltage alarms	3	High voltage alarms	0

- Quando o LED permanecer aceso, o SmartShunt foi conectado corretamente à aplicação VictronConnect através do *bluetooth*.
- Quando os LED azul e vermelho estiverem intermitentes de forma alternativa, o *firmware* do SmartShunt está a ser atualizado.

6 INTERFACES

O SmartShunt pode ser conectado a outros equipamentos e este capítulo descreve como pode fazer isto.

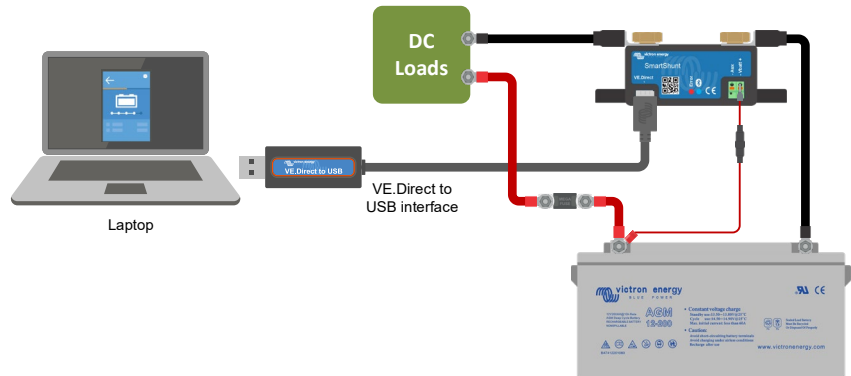
6.1 VictronConnect através de USB

A VictronConnect pode ser conectada através de *bluetooth*, mas também por USB. Uma ligação USB é essencial ao conectar à versão Windows da VictronConnect, sendo opcional quando for utilizada a versão MacOS ou Android. Lembre-se de que, ao fazer a ligação a um telemóvel ou *tablet* Android, pode ser necessário um cabo “USB rápido”.

Para conectar através do USB, vai precisar de uma “*interface* VE.Direct para USB”, número de peça SS030530000. Utilize esta *interface* para conectar o computador ao SmartShunt.

Para mais informação, consulte o manual da VictronConnect:

<https://www.victronenergy.com/live/victronconnect:start>.



6.2 Ligar a um dispositivo GX e VRM

Os dispositivos GX da Victron proporcionam controlo e monitorização para todos os equipamentos desta marca conectados ao mesmo. O controlo e a monitorização podem ser feitos localmente, mas também remotamente através do *site* gratuito de “Monitorização Remota Victron”, o portal *online* VRM. Para um resumo de todos os dispositivos GX disponíveis, consulte:

<https://www.victronenergy.com.au/panel-systems-remote-monitoring>.

Para uma hiperligação para o *site* VRM, consulte:

<https://vrn.victronenergy.com>

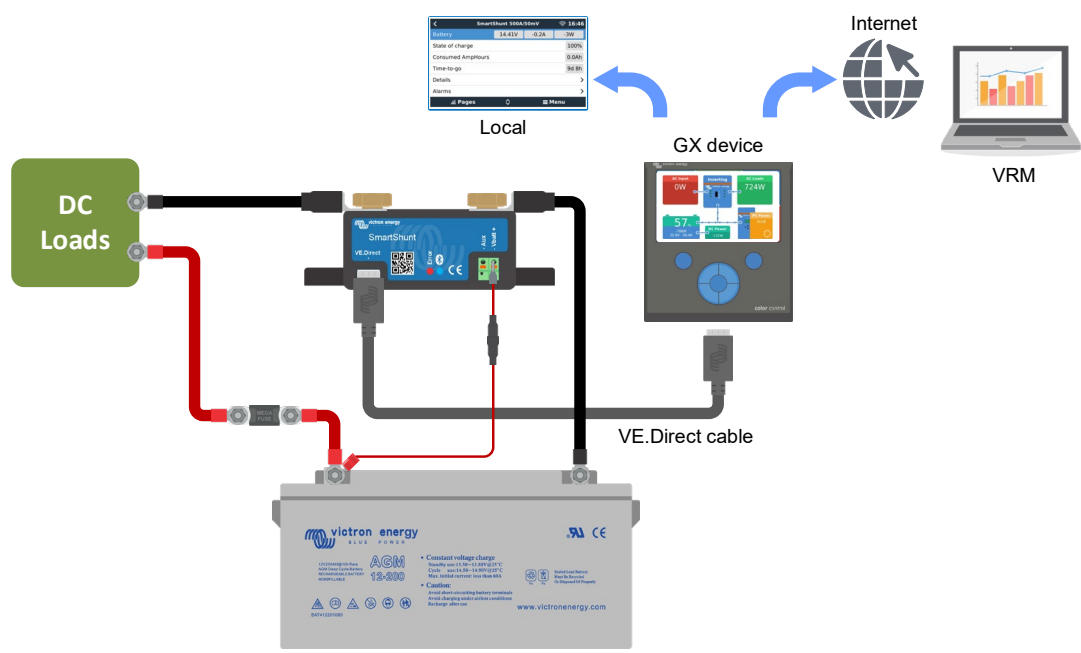
O SmartShunt pode ser conectado a um dispositivo GX através de um cabo VE.Direct, número de peça ASS03053xxxx. Os cabos VE.Direct estão disponíveis em comprimentos que variam de 0.3 a 10 m e com conectores diretos ou com ângulo reto. Em vez de utilizar um cabo VE.Direct, o SmartShunt também pode ser conectado ao dispositivo GX com a *interface* VE.Direct para USB.

A captura de ecrã mostra o aplicativo SmartShunt 500A/50mV. O tempo é 16:46. O estado da bateria é o seguinte:

Battery	14.41V	-0.2A	-3W
State of charge	100%		
Consumed AmpHours	0.0Ah		
Time-to-go	9d 8h		
Details	>		
Alarms	>		

Na base do ecrã, há opções para 'Pages' e 'Menu'.

Depois de conectado, o dispositivo GX pode ser utilizado para ler todos os parâmetros de bateria monitorizados.

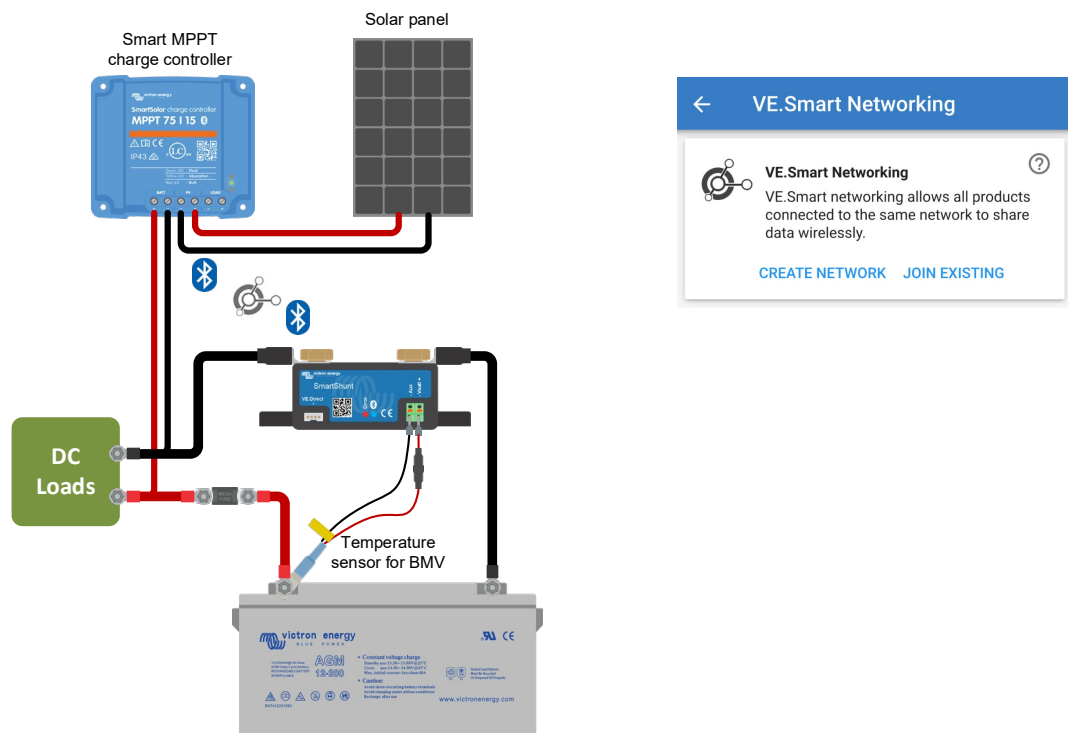


6.3 Ligar a uma rede VE.Smart

A rede VE.Smart é uma rede sem fios na qual alguns produtos Victron partilham informação por *bluetooth*. O SmartShunt pode partilhar a temperatura e a tensão da bateria (sensor de temperatura opcional necessário) com a rede VE.Smart.

Por exemplo: Numa rede VE.Smart que inclui um SmartSolar com sensor de temperatura e carregador solar MPPT, este recebe a informação da tensão da temperatura da bateria do SmartShunt e utiliza-a para otimizar os parâmetros de carregamento. Isto vai melhorar a eficiência do carregamento e prolongar a vida útil da bateria.

Para integrar o SmartShunt numa rede VE.Smart, terá de criar uma rede ou aderir a uma já existente. A configuração pode ser encontrada nas definições SmartShunt > Rede inteligente. Consulte o manual da rede VE.Smart para obter mais informação: <https://www.victronenergy.com/live/victronconnect:ve-smart-networking>



6.4 Integração personalizada (programação necessária)

A porta de comunicações VE.Direct pode ser utilizada para ler os dados e alterar as configurações. O protocolo VE.Direct é extremamente simples de implementar. A transmissão de dados para o SmartShunt não é necessária para aplicações simples. O SmartShunt envia automaticamente todas as leituras a cada segundo.

Os detalhes são explicados neste documento:

https://www.victronenergy.com/upload/documents/Whitepaper-Data-communication-with-Victron-Energy-products_EN.pdf

7 TODAS AS CARACTERÍSTICAS E DEFINIÇÕES

7.1 Definições da bateria

Estas definições podem ser utilizadas para otimizar o SmartShunt. Tenha atenção ao alterar estas definições, porque pode ter um efeito nos cálculos do SmartShunt para o estado da carga.

7.1.1 Capacidade da bateria

Este parâmetro é utilizado para indicar ao SmartShunt a dimensão da bateria. Esta definição já deve ter sido feita durante a instalação inicial do SmartShunt.

A definição é a capacidade da bateria em amperes/hora (Ah). Para mais informação, consulte o capítulo 8: “Battery capacity and Peukert exponent”.

Definição por defeito	Intervalo	Dimensão dos escalões
200 Ah	1 Ah a 9999 Ah	1 Ah

7.1.2 Tensão de carga

A tensão da bateria deve ser superior a este nível para considerar a bateria completamente carregada. Logo que o SmartShunt detetar que a tensão da bateria atingiu a “tensão de carga” e que a corrente é inferior à “corrente de cauda” durante um determinado tempo, o SmartShunt vai definir o estado da carga como 100 %.

Definição por defeito	Intervalo	Dimensão dos escalões
0V	0 V a 95 V	0.1V

O parâmetro “tensão de carga” deve ser definido como 0,2 V ou 0.3 V abaixo da tensão de flutuação do carregador. Ou em alternativa, consulte na tabela abaixo a definição recomendada.

Tensão de bateria nominal

Tensão de bateria nominal	Definição de tensão de carga
12 V	13.2V
24 V	26.4 V
36 V	39.6 V
48 V	52.8 V

7.1.3 Limite de descarga

O parâmetro “limite de descarga” é utilizado no cálculo do tempo restante. O tempo restante é o que se demora até atingir a definição “Limite de descarga”.

Definição por defeito	Intervalo	Dimensão dos escalões
50%	0 % a 99 %	1%

7.1.4 Corrente de cauda

A bateria é considerada como “completamente carregada” quando a corrente de carga for inferior ao parâmetro “Corrente de cauda” definido. O parâmetro “Corrente de cauda” é expresso como uma percentagem da capacidade da bateria.

Observação: Alguns carregadores de bateria interrompem a carga quando a corrente for inferior a um limiar configurado. Nestes casos, a corrente de cauda deve ser configurada com um valor maior que este limiar.

Quando o SmartShunt detetar que a tensão da bateria atingiu o parâmetro “Tensão de carga” e que a corrente é inferior à “corrente de cauda” durante um tempo determinado, o SmartShunt vai definir o estado da carga como 100 %.

Definição por defeito	Intervalo	Dimensão dos escalões
4.00%	0,50 % a 10.00 %	0.1%

7.1.5 Tempo de deteção da carga

Este é o tempo que a tensão de carga e a corrente de cauda devem cumprir para se considerar que a bateria está completamente carregada.

Definição por defeito	Intervalo	Dimensão dos escalões
3 min	0 min a 100 min	1 min

7.1.6 Expoente de Peukert

Se não for conhecido, recomendamos manter este valor em 1.25 (predefinido) nas baterias de chumbo-ácido e alterar para 1.05 nas baterias Li-ion. Um valor de 1.00 desativa a compensação de Peukert. Para mais informação, consulte o capítulo 8: “Battery capacity and Peukert exponent”.

Definição por defeito	Intervalo	Dimensão dos escalões
1.25	1.00 a 1.50	0.01

7.1.7 Fator de eficiência da carga

O fator de eficiência da carga compensa as perdas de capacidade em (Ah) durante o carregamento. Uma definição de 100 % significa que não existem perdas.

Definição por defeito	Intervalo	Dimensão dos escalões
95%	50 % a 100 %	1%

A eficiência de carga de uma bateria de chumbo-ácido é quase 100 % desde que não ocorra a produção de gás. A gaseificação significa que uma parte da corrente de carga não está a ser transformada na energia química que será armazenada nas placas da bateria, mas que é utilizada para decompor a água em oxigénio e hidrogénio sob a forma gasosa (altamente explosiva!). A energia armazenada nas placas pode ser obtida durante a descarga seguinte, enquanto a energia utilizada para decompor a água se perde.

A gaseificação pode ser observada facilmente em baterias inundadas. Note que a parte de “só oxigénio” da fase de carga das baterias de gel seladas (VRLA) e AGM também origina uma menor eficácia de carga.

Uma eficiência de carga de 95 % significa que devem ser transferidos para a bateria 10 Ah para armazenar 9.5 Ah efetivos. A eficiência de carga de uma bateria depende do tipo, da idade e da utilização da própria bateria. O SmartShunt considera este fenómeno através do fator de eficiência de carga.

7.1.8 Limiar de corrente

Quando a corrente medida for inferior ao “Limiar de corrente”, será considerada zero. O “Limiar de corrente” é utilizado para cancelar correntes muito baixas que, no longo prazo, podem afetar negativamente a leitura do estado da carga em ambientes ruidosos. Por exemplo, se a corrente real no longo prazo for 0.0 A e se, por causa de pequenos ruídos ou descompensações, o monitor da bateria medir - 0.05 A, a longo prazo, o SmartShunt pode indicar erradamente que a bateria está gasta ou que precisa de ser carregada. Neste exemplo, se o limiar de corrente for definido em 0.1A, o SmartShunt realiza o cálculo com 0.0 A, para eliminar os erros. Um valor de 0.0A desativa esta função.

Definição por defeito	Intervalo	Dimensão dos escalões
0.10A	0.00 A a 2.00 A	0.01A

7.1.9 Período médio do tempo restante

Este valor especifica o intervalo temporal (em minutos) em que o filtro de média móvel está a funcionar. Um valor de 0 desativa o filtro e proporciona uma leitura instantânea (em tempo real). No entanto, o valor “Tempo restante” visualizado pode flutuar intensamente. Selecionar o tempo máximo (12 min) garante que as flutuações da carga a longo prazo são incluídas nos cálculos do tempo restante.

Definição por defeito	Intervalo	Dimensão dos escalões
3 min	0 min a 12 min	1 min

7.1.10 Arranque sincronizado da bateria

O estado da carga da bateria será 100 % depois de o SmartShunt ter sido ligado. Em ON (ligado), o SmartShunt será considerado como sincronizado ao ser ligado, o que resulta num estado da carga de 100 %. Em OFF (desligado), o SmartShunt será considerado como não sincronizado ao ser ligado, o que resulta num estado da carga desconhecido até à primeira sincronização real.

Definição por defeito	Intervalo
ON	ON/OFF

Não se esqueça de que estas situações podem ocorrer caso seja necessária uma consideração especial ao definir esta função como ON. Uma destas situações ocorre nos sistemas em que a bateria é desligada frequentemente do SmartShunt, por exemplo, num barco. Se sair do barco e desligar o sistema CC no disjuntor CC principal e nesse momento as baterias estiverem, por exemplo, carregadas a 75 %. Ao regressar ao barco, o sistema CC volta a ser ligado e o SmartShunt agora indica 100 %. Isto pode dar uma falsa impressão que as baterias estão carregadas, quando na realidade se encontram parcialmente descarregadas.

Existem duas soluções para isto, sendo uma não desligar o SmartShunt quando as baterias estão parcialmente descarregadas ou, em alternativa, desligar a função “A bateria arranca sincronizada”. Agora, quando o SmartShunt voltar a ser ligado, o estado da carga vai visualizar “---” e não mostrar 100 % enquanto as baterias não estiverem completamente carregadas. Não se esqueça de que deixar uma bateria de chumbo-ácido num estado parcialmente descarregado durante algum tempo pode danificá-la.

7.1.11 Estado da carga

Com esta definição pode configurar manualmente o valor do estado da carga. Esta definição apenas está ativa depois de o SmartShunt ter sido sincronizado, pelo menos uma vez. De forma automática ou manual.

Definição por defeito	Intervalo	Dimensão dos escalões
--%	0.0 % a 100 %	0.1%

7.1.12 Sincronizar SoC para 100 %

Esta opção pode ser utilizada para sincronizar manualmente o SmartShunt. Carregue no botão “Sincronizar” para sincronizar o SmartShunt a 100 %. Para mais informação, consulte a secção 5.3.2: “Manual synchronisation”.

7.1.13 Calibração da corrente zero

Se o SmartShunt ler uma corrente diferente de zero mesmo quando não houver carga ligada à bateria e esta não estiver a ser carregada, esta opção pode ser utilizada para calibrar a leitura zero.

Certifique-se de que não há realmente corrente a entrar nem a sair da bateria. Desconecte o cabo entre a carga e o SmartShunt e carregue no botão “Calibrar” para fazer uma calibração de corrente zero.

7.2 Definições de alarme

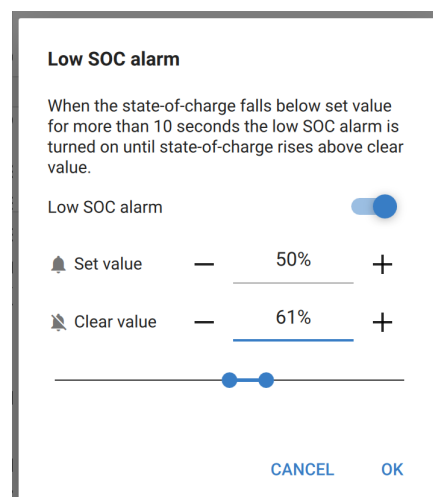
Lembre-se de que o SmartShunt não está equipado com um aviso sonoro nem com um relé de alarme como a série BMV. Os alarmes gerados apenas são visíveis na aplicação VictronConnect quando estiver conectada ao SmartShunt ou são utilizados para enviar um sinal de alarme a um dispositivo GX.

7.2.1 Definição de alarme SoC

Quando estiver disponível, o alarme vai ativar-se quando o estado da carga for inferior ao valor definido durante mais de 10 s. O alarme vai desativar-se quando o estado da carga for superior ao valor de desbloqueio.

Definição por defeito	Intervalo
Desativado	Desativado / ativado

Quando ativado	Definição por defeito		
Valor definido	1%	0 % a 100 %	1%
Valor de desbloqueio	2%	0 % a 100 %	1%



7.2.2 Alarme de tensão baixa

Quando estiver disponível, o alarme vai ativar-se quando a tensão da bateria for inferior ao valor definido durante mais de 10 s. O alarme vai desativar-se quando a tensão da bateria for superior ao valor de desbloqueio.

Definição por defeito	Intervalo
Desativado	Desativado / ativado

Quando ativado	Definição por defeito		
Valor definido	1.0V	0 V a 95.0V	0.1V
Valor de desbloqueio	1.1V	0 V a 95.0V	0.1V

7.2.3 Alarme de tensão alta

Quando estiver disponível, o alarme vai ativar-se quando a tensão da bateria for superior ao valor definido durante mais de 10 s. O alarme vai desativar-se quando a tensão da bateria for inferior ao valor de desbloqueio.

Definição por defeito	Intervalo
Desativado	Desativado / ativado

Quando ativado	Definição por defeito		
Valor definido	1.1V	0 V a 95.0V	0.1V

Valor de desbloqueio	1.0V	0 V a 95.0V	0.1V
----------------------	------	-------------	------

7.2.4 Alarme de tensão de bateria de arranque baixa

Esta definição apenas está disponível se a entrada Aux tiver sido configurada para “Bateria de arranque”. Quando estiver disponível, o alarme vai ativar-se quando a tensão da bateria de arranque for inferior ao valor definido durante mais de 10 s. O alarme vai desativar-se quando a tensão da bateria de arranque for superior ao valor de desbloqueio.

Definição por defeito	Intervalo
Desativado	Desativado / ativado

Quando ativado	Definição por defeito		
Valor definido	1.0V	0 V a 95.0V	0.1V
Valor de desbloqueio	1.1V	0 V a 95.0V	0.1V

7.2.5 Alarme de tensão de bateria de arranque alta

Esta definição apenas está disponível se a entrada Aux tiver sido configurada para “Bateria de arranque”. Quando estiver disponível, o alarme vai ativar-se quando a tensão da bateria de arranque for superior ao valor definido durante mais de 10 s. O alarme vai desativar-se quando a tensão da bateria de arranque for inferior ao valor de desbloqueio.

Definição por defeito	Intervalo
Desativado	Desativado / ativado

Quando ativado	Definição por defeito		
Valor definido	1.1V	0 V a 95.0V	0.1V
Valor de desbloqueio	1.0V	0 V a 95.0V	0.1V

7.2.6 Alarme de desvio do ponto médio

Esta definição apenas está disponível se a entrada Aux tiver sido configurada para “Ponto médio”. Quando estiver disponível, o alarme vai ativar-se quando o desvio da tensão do ponto médio for superior ao valor definido durante mais de 10 s. O alarme vai desativar-se quando o desvio da tensão do ponto médio for inferior ao valor de desbloqueio.

Definição por defeito	Intervalo
Desativado	Desativado / ativado

Quando ativado	Definição por defeito		
Valor definido	2%	0 % a 99%	1%

Valor de desbloqueio	1%	0 % a 99%	1%
----------------------	----	-----------	----

7.2.7 Alarme de tensão elevada

Esta definição apenas está disponível se a entrada Aux tiver sido configurada para “Temperatura”. Quando estiver disponível, o alarme vai ativar-se quando a temperatura da bateria for superior ao valor definido durante mais de 10 s. O alarme vai desativar-se quando a temperatura da bateria for inferior ao valor de desbloqueio.

Definição por defeito	Intervalo
Desativado	Desativado / ativado

Quando ativado	Definição por defeito	Intervalo	Dimensão dos escalões
Valor definido	2 °C (2 °F)	-99 °C - +99 °C (-146 °F - +210 °F)	1 °C (1 °F)
Valor de desbloqueio	1 °C (2 °F)	-99 °C - +99 °C (-146 °F - +210 °F)	1 °C (1 °F)

7.2.8 Alarme de temperatura baixa

Esta definição apenas está disponível se a entrada Aux tiver sido configurada para “Temperatura”. Quando estiver disponível, o alarme vai ativar-se quando a temperatura da bateria for inferior ao valor definido durante mais de 10 s. O alarme vai desativar-se quando a temperatura da bateria for superior ao valor de desbloqueio.

Definição por defeito	Intervalo
Desativado	Desativado / ativado

Quando ativado	Definição por defeito	Intervalo	Dimensão dos escalões
Valor definido	2 °C (2 °F)	-99 °C - +99 °C (-146 °F - +210 °F)	1 °C (1 °F)
Valor de desbloqueio	1 °C (2 °F)	-99 °C - +99 °C (-146 °F - +210 °F)	1 °C (1 °F)

7.3 Definições diversas

7.3.1 Entrada Aux

Esta definição configura a função da entrada auxiliar. Selecionar entre: Bateria de arranque, Ponto médio ou Temperatura

Definição por defeito	Intervalo
Bateria de arranque	Bateria de arranque / Ponto médio / Temperatura

7.3.2 Coeficiente de temperatura

Esta definição apenas está disponível se a entrada Aux tiver sido configurada para “Temperatura”.

A capacidade disponível da bateria diminui com a temperatura. Normalmente, a redução, em comparação com uma capacidade de 20 °C, é 18 % a 0 °C e 40 % a - 20 °C.

O coeficiente de temperatura é a percentagem da capacidade da bateria que varia com a temperatura, quando esta for menor que 20 °C (maior que 20 °C, o impacto da temperatura na capacidade é relativamente baixo e não é considerado). A unidade deste valor é “%cap/°C” ou percentagem da capacidade por grau Celsius. O valor típico (menor que 20 °C) é 1%cap/°C para as baterias ácido-chumbo e 0,5%cap/°C para as baterias LFP.

Definição por defeito	Intervalo	Dimensão dos escalões
0.0 %cap/°C	0 % a 2.0 %cap/°C	0.1 %cap/°C
0.0 %cap/ °F	0 % a 3.6 %cap/°F	0.1 %cap/ °F

7.4 Definição da temperatura da unidade

Este parâmetro encontra-se nas definições na própria aplicação VictronConnect. Saia do SmartShunt clicando na seta ←. Assim regressa à lista de dispositivo da VictronConnect. Clique no símbolo do menu ☰ e depois no clique no símbolo das definições ⚙. Aqui pode seleccionar “Visualizar unidade de temperatura”. Se seleccionar Celsius vai visualizar a temperatura em °C e se escolher Fahrenheit vai visualizar a temperatura em °F.

Definição por defeito	Intervalo
Celsius	Celsius / Fahrenheit

7.5 Definições do produto

Para aceder a estas definições, clique no símbolo de definição ⚙ e depois no menu de símbolo ⋮.

7.5.1 Repor definições por defeito

Para pôr todas as definições com os valores de defeito, selecione “Repor definições por defeito”. Lembre-se de que isto apenas reinicia os valores por defeito, o histórico não.

7.5.2 Nome personalizado

No ecrã de informação do produto do SmartShunt, pode alterar o nome do dispositivo. Por defeito, é denominado pelo seu nome de produto. Mas pode ser necessário um nome mais aplicável, especialmente se utilizar vários SmartShunts próximos entre si, o que pode tornar confuso saber com que SmartShunt você está a comunicar. Pode, por exemplo, adicionar números de identificação ao nome, como: SmartShunt A, SmartShunt B e assim sucessivamente.

7.5.3 Firmware

Tanto o SmartShunt como a sua *interface* de *bluetooth* funcionam com *firmware*. Ocasionalmente, está disponível uma versão mais recente de *firmware*. O novo *firmware* é lançado para adicionar características ou para corrigir um problema. A vista geral de Produto do SmartShunt e dos itens da sua *interface* de *bluetooth* apresentam ambos o número de *firmware*. Também indica se o *firmware* da última versão e existe um botão no qual pode carregar para atualizar o *firmware*.

Na primeira instalação, é sempre recomendado atualizar para o *firmware* mais recente (se disponível). Sempre que ligar o SmartShunt com uma versão “atualizada” da VictronConnect, vai verificar o *firmware* e pedir-lhe que o atualize se houver uma versão mais recente disponível. A Aplicação VictronConnect inclui os ficheiros de *firmware* reais, pelo que não é necessária uma ligação de Internet para atualizar para o *firmware* mais recente, desde que utilize a versão mais atualizada da aplicação.

A atualização do *firmware* não é obrigatória. Se escolher não atualizar o *firmware*, apenas pode ler o SmartShunt, mas não pode alterar as definições. As definições apenas podem ser alteradas se o SmartShunt for executado com o *firmware* mais recente.

7.5.4 Alterar o código PIN

É possível alterar o código PIN na informação do produto da *interface* de *bluetooth* do SmartShunt.

7.5.5 Desativar e voltar a ativar o *bluetooth*

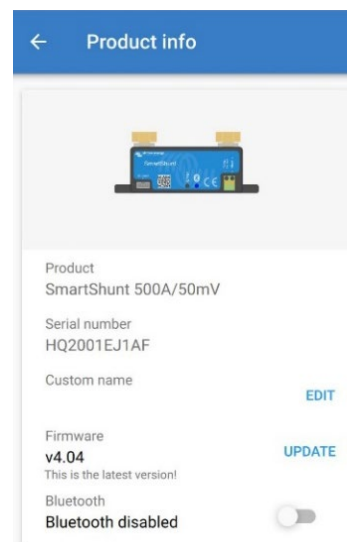
O *bluetooth* vem ativado por defeito no SmartShunt. Se o *bluetooth* não for necessário, pode ser desativado. Pode fazer isto deslizando o interruptor de *bluetooth* nas definições do produto.

Uma razão para desativar o *bluetooth* pode ser a segurança ou a eliminação de transmissão indesejada desde o SmartShunt.

Depois de o *bluetooth* ter sido desativado, a única forma de comunicar com o SmartShunt será através da sua porta VE.Direct.

Isto pode ser feito através da *interface* USB para VE.Direct ou através de um dispositivo GX conectado ao SmartShunt através de um cabo VE.Direct ou da *interface* USB para VE.Direct. Para mais informação, consulte o capítulo 6: “*Interfacing*”.

O *bluetooth* pode ser reativado ao conectar o SmartShunt à VictronConnect através da *interface* VE.Direct - USB. Depois da conexão, pode aceder ao menu das definições do produto e reativar o *bluetooth*.





7.5.6 Número de série


O número de série está disponível na informação do produto SmartShunt ou na etiqueta autocolante da informação do produto neste dispositivo.

7.6 Definições de guardar, carregar e partilhar

No menu de definições pode encontrar os três seguintes símbolos:

 **Definições de guardar em ficheiro** - vai guardar as definições para a consulta ou para a utilização posterior.

 **Definições de carregar de ficheiro** – para carregar as definições guardadas antes.

 **Partilhar ficheiro de definições** – permite guardar o ficheiro de definições através de correio eletrónico, mensagem, Airdrop e similares. As opções de partilha disponível em função da plataforma usada.

Para mais informação sobre estas funções, consulte o manual VictronConnect:

<https://www.victronenergy.com/live/victronconnect:start>

7.7 Histórico de reinicialização

Esta definição está disponível na parte inferior do separador do histórico. Lembre-se de que os dados históricos é uma ferramenta importante para seguir o desempenho da bateria e também necessária para diagnosticar pelos eventuais problemas da bateria. Não limpe o histórico exceto se substituir o banco de baterias.

7.8 Reiniciar o código PIN

Este parâmetro encontra-se nas definições na própria aplicação VictronConnect. Saia do SmartShunt clicando na seta ←. Assim regressa à lista de dispositivo da VictronConnect. Agora clique no símbolo de menu ☰ ao lado da lista do SmartShunt.

Uma nova janela vai abrir-se que lhe permite reiniciar o código PIN para o valor de defeito: 000000. Para reiniciar o código PIN vai precisar de introduzir o código único PUK do SmartShunt. O código PUK está impresso no autocolante com a informação do produto no SmartShunt.

8 CAPACIDADE DA BATERIA E O EXPOENTE PEUKERT

A capacidade da bateria vem expressa em amperes por hora (Ah) e indica a corrente que uma bateria consegue fornecer no tempo. Por exemplo, se uma bateria de 100 Ah for descarregada com uma corrente constante de 5 A, a bateria ficará totalmente descarregada em 20 h.

A taxa a que uma bateria é descarregada é indicada como a classificação C. A classificação C indica quantas horas uma bateria com uma dada capacidade vai durar. 1C é a classificação para uma 1 h e significa que a corrente vai descarregar uma bateria completa numa hora. Para uma bateria com uma capacidade de 100 Ah, isto equivale a uma corrente de descarga de 100 A. Uma classificação 5C para esta bateria seria 500 A durante 12 min (1/5 h) e uma classificação C5 seria 20 A durante 5 h.

A capacidade de uma bateria depende da taxa de descarga. Quanto mais rápida for a descarga, menor será a capacidade disponível. A relação entre uma descarga rápida ou lenta pode ser calculada pela lei de Peukert, expressa pelo expoente de Peukert. Algumas químicas de bateria sofrem um maior impacto deste fenómeno que outras. As baterias de chumbo-ácido são mais afetadas que as baterias de lítio. O SmartShunt considera este fenómeno com a fórmula do expoente de Peukert.

Exemplo da taxa de descarga

Uma bateria de chumbo-ácido com uma capacidade nominal 100 Ah a C20 pode distribuir uma corrente total de 100 A ao longo de 20 h a uma taxa de 5 A por hora. $C20 = 100 \text{ Ah} (5 \times 20 = 100)$.

Se a mesma bateria 100 Ah for descarregada completamente em duas horas, a sua capacidade fica muito reduzida. Devido à taxa de descarga superior, pode apenas fornecer $C2 = 56 \text{ Ah}$.

Fórmula de Peukert

O valor que pode ser ajustado na fórmula de Peukert é o expoente n: consulte a fórmula abaixo.

No SmartShunt o expoente de Peukert pode ser regulado entre 1.00 e 1.50. Quanto maior for o expoente de Peukert, mais rapidamente diminuirá a capacidade efetiva da bateria com uma taxa de descarga cada vez maior. A bateria ideal (em teoria) tem um expoente de Peukert de 1.00 e uma capacidade fixa, independentemente da corrente de descarga. A configuração por defeito no SmartShunt do expoente de Peukert é 1.25. Este é um valor médio aceitável para a maior parte das baterias de chumbo-ácido.

A seguir é mostrada a equação de Peukert:

$$Cp = I^n \times t \quad \text{Em que o expoente de Peukert } n \text{ é:} \quad n = \frac{\log t_2 - \log t_1}{\log I_1 - \log I_2}$$

Para calcular o expoente de Peukert vai precisar de duas capacidades de bateria nominais. Estas são normalmente uma taxa de descarga de 20 h e uma taxa de 5 h, mas também podem ser taxas de 10 h e 5 h, ou de 20 h e 10 h. Idealmente utilize uma taxa de descarga baixa com uma taxa substancialmente superior. As classificações com as capacidades da bateria podem ser encontradas na respetiva ficha técnica. Em caso de dúvida, contacte o seu fornecedor.

Exemplo de cálculo com uma classificação de 5 h e 20 h

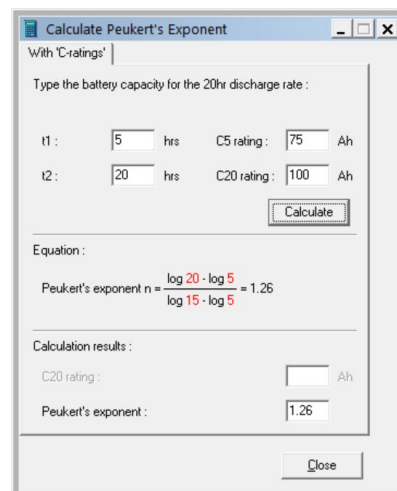
A classificação C5 é 75 Ah. A classificação t_1 é 5 h e I_1 é calculada: $I_1 = \frac{75 \text{ Ah}}{5 \text{ h}} = 25 \text{ A}$

A classificação C20 é 100 Ah. A classificação t_2 é 20 h e I_2 é calculada: $I_2 = \frac{100 \text{ Ah}}{20 \text{ h}} = 5 \text{ A}$

O expoente de Peukert é: $n = \frac{\log 20 - \log 5}{\log 15 - \log 5} = 1.26$

Uma calculadora Peukert está disponível em <http://www.victronenergy.com/support-and-downloadssoftware/>

Tenha em conta que o expoente de Peukert proporciona um valor aproximado das condições reais e que, com correntes muito elevadas, as baterias proporcionarão uma capacidade ainda menor que a prevista com um expoente fixo. Recomendamos não alterar o valor por defeito no SmartShunt, exceto no caso das baterias de lítio.



9 MONITORIZAÇÃO DA TENSÃO DO PONTO MÉDIO

Uma célula ou uma bateria avariada podem destruir um banco de baterias de grande dimensão e dispendioso. Por exemplo, um curto-circuito ou uma corrente de fuga interna elevada numa célula podem provocar uma subcarga nessa célula e uma sobrecarga nas restantes. De forma similar, uma bateria danificada num banco de 24V ou 48V de várias baterias de 12V ligadas em série/paralelo pode destruir todo o banco.

Adicionalmente, quando as células ou as baterias novas forem ligadas em série, devem apresentar todas o mesmo estado de carga inicial. A carga de absorção ou de equalização consegue tolerar as pequenas diferenças, mas as grandes diferenças originam danos durante o carregamento devido à gaseificação excessiva das baterias, com um estado da carga inicial mais elevado.

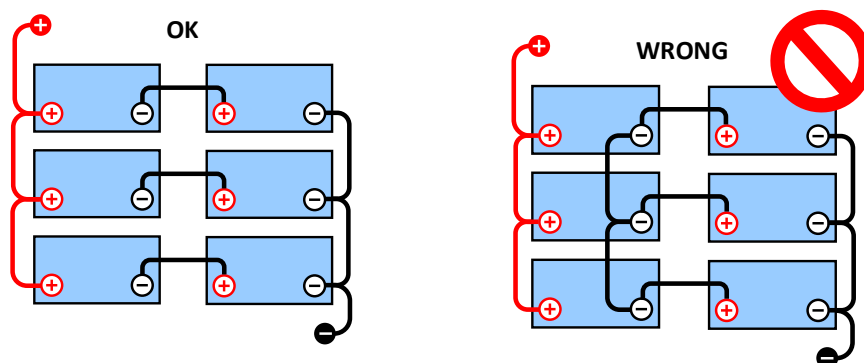
É possível gerar um alarme oportuno monitorizando o ponto médio do banco de baterias (isto é, dividindo a tensão de cadeia a meio e comparando as duas metades da tensão de cadeia).

O desvio do ponto médio será pequeno quando o banco de baterias estiver em repouso e aumentará:

- no final da fase inicial da carga (a tensão das células com carregamento correto aumenta rapidamente, enquanto as células com atraso precisam de mais carga);
- durante a descarga do banco de baterias, até que a tensão das células mais fracas comece a diminuir rapidamente; e
- com taxas de carga e descarga superiores.

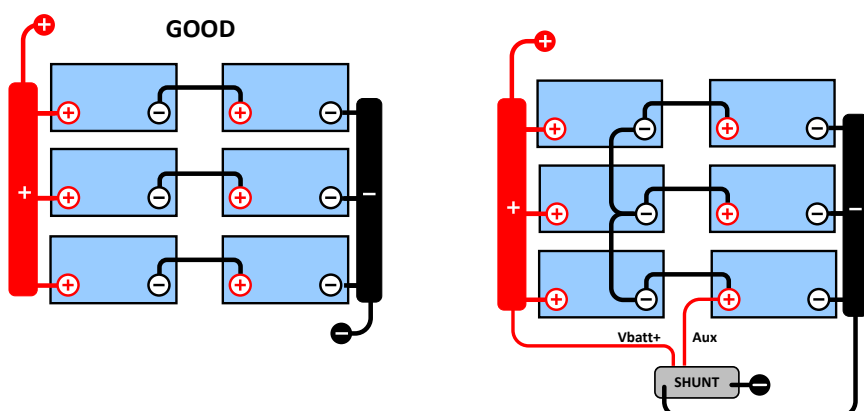
9.1 Esquema de ligações do ponto médio e do banco de baterias

9.1.1 Ligar e monitorizar o ponto médio num banco de baterias de 24 V



Devido à queda de tensão nos cabos positivo e negativo, as tensões do ponto médio não são idênticas.

Num banco de baterias não monitorizado, os pontos médios não devem ser interligados, uma bateria defeituosa

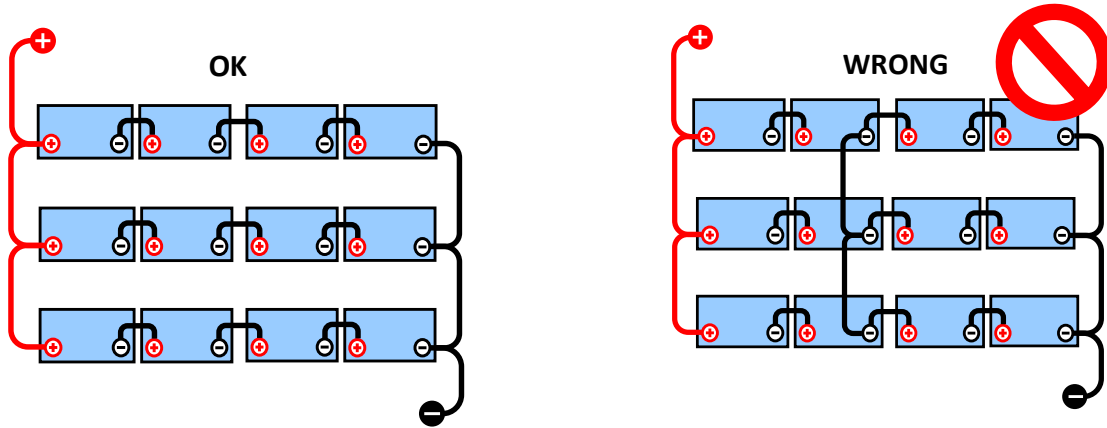


pode não ser detetada e danificar as restantes baterias.

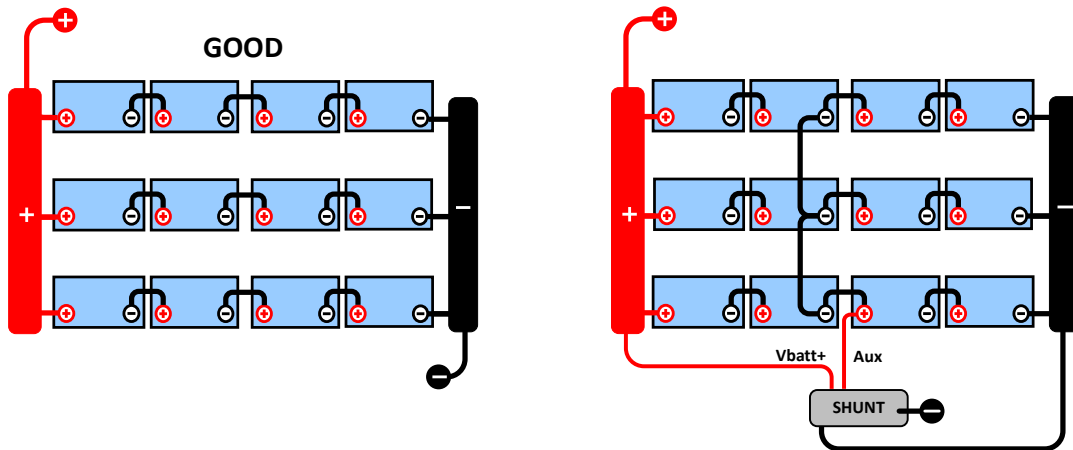
Utilize sempre barras de barramento ao aplicar a monitorização do ponto médio. Os cabos para as barras de barramento devem ter todos o mesmo comprimento.

Os pontos médios apenas podem ser conectados se for adotada uma ação corretiva em caso de alarme.

9.1.2 Ligar e monitorizar o ponto médio num banco de baterias de 48 V



Devido à queda de tensão nos cabos positivo e negativo, as tensões do ponto médio não são idênticas.



Num banco de baterias não monitorizado, os pontos médios não devem ser interligados, uma banco defeituosa pode não ser detetada e danificar as outras baterias.

Utilize sempre barras de barramento ao aplicar a monitorização do ponto médio. Os cabos para as barras de barramento devem ter todos o mesmo comprimento.

Os pontos médios apenas podem ser conectados se for adotada uma ação corretiva em caso de alarme.

9.2 Cálculo do desvio do ponto médio

O SmartShunt mede o ponto médio e depois calcula o desvio numa percentagem em relação ao seu valor expectável.

$$Deviation = \frac{100 \times (top\ string\ voltage - bottom\ string\ voltage)}{battery\ voltage}$$

$$d = \frac{100 \times (Vt - Vb)}{V}$$

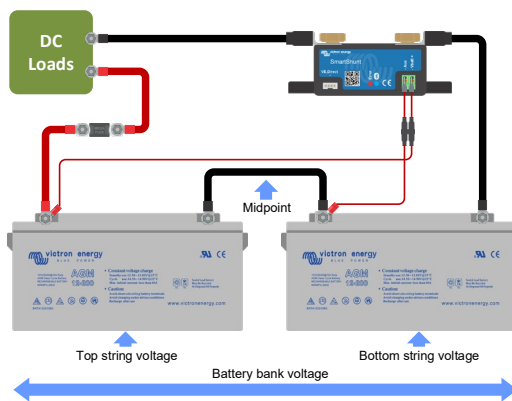
em que:

d é o desvio em %

V_t é a tensão de cadeia superior

V_b é a tensão de cadeia inferior

V é a tensão da bateria ($V = V_t + V_b$)



9.3 Definir o nível do alarme

Em caso de baterias VRLA (gel ou AGM), a gaseificação por sobrecarga seca o eletrólito, aumentando a resistência interna e acabando por provocar danos irreversíveis. As baterias VRLA de placa lisa começam a perder energia quando a tensão de carga se aproxima dos 15V (bateria de 12V). Incluindo uma margem de segurança, o desvio do ponto médio deve ser inferior a 2 % durante o carregamento. Quando, por exemplo, se carregar um banco de baterias de 24V com uma tensão de absorção de 28,8V, um desvio do ponto médio de 2 % resulta em:

$$V_t = \frac{V \times d}{100} + V_b = \frac{V \times d}{100} + V - V_t = V \times \frac{1 + \frac{d}{100}}{2}$$

Portanto:

$$V_t = V \times \frac{1 + \frac{d}{100}}{2} \quad \text{and} \quad V_b = V \times \frac{1 - \frac{d}{100}}{2}$$

$$V_t = 28.8 \times \frac{1 + \frac{2}{100}}{2} \approx 14.7 \quad \text{and} \quad V_b = 28.8 \times \frac{1 - \frac{2}{100}}{2} \approx 14.1$$

Obviamente, um desvio do ponto médio superior a 2 % provoca uma sobrecarga da bateria superior e a subcarga da bateria inferior. Estas são duas boas razões para definir um nível do alarme do ponto médio não superior a $d = 2$ %.

Esta mesma percentagem pode ser aplicada a um banco de baterias de 12V com um ponto médio de 6V. No caso de um banco de baterias de 48V composto por séries de baterias de 12 V, a % do impacto de uma bateria no ponto médio é reduzida para metade. Portanto, o nível do alarme do ponto médio pode ser configurado num nível inferior.

9.4 Atraso do alarme

Para evitar alarmes causados por desvios breves que não danificam a bateria, o desvio tem de ultrapassar o valor configurado durante 5 min antes de o alarme ser ativado. Um desvio duas ou mais vezes superior ao valor definido ativará o alarme passados 10 s.

9.5 Atuação em caso de alarme durante o carregamento

Com banco de bateria novo

O alarme deve-se usualmente a diferenças no estado da carga inicial da bateria individual. Se o desvio aumentar mais de 3 %, deve interromper o carregamento do banco de baterias e carregar as baterias individuais ou as células separadamente. Outra forma de reduzir substancialmente a corrente de carga para o banco de baterias consiste em permitir a equalização das baterias no tempo.

Se o problema persistir depois de vários ciclos de carga e descarga, faça o seguinte:

- Em caso de ligação em série-paralela, desconecte a ligação paralela do ponto médio e meça as tensões do ponto médio individuais durante a carga de absorção para isolar as baterias ou células que precisam de carga adicional.
- Carregue e depois teste todas as baterias ou células individualmente.

Em caso de um banco de baterias usado com um desempenho positivo no passado, o problema pode ser devido a uma subcarga sistemática. Neste caso, é necessário um carregamento ou uma carga de equalização mais frequente. Lembre-se de que as baterias OPzS e de placa plana de ciclo profundo inundadas podem ser equalizadas. Uma carga melhor e mais regular resolve o problema.

Caso haja uma ou mais células defeituosas:

- Em caso de ligação em série-paralela, desconecte a ligação paralela do ponto médio e meça as tensões do ponto médio individuais durante a carga de absorção para isolar as baterias ou células que precisam de carga adicional.
- Carregue e depois teste todas as baterias ou células individualmente.

9.6 Atuação em caso de alarme durante a descarga

As células ou baterias individuais de um banco de baterias não são idênticas. Durante uma descarga completa de um banco de baterias, a tensão de algumas células começa a diminuir mais cedo do que a de outras. Por conseguinte, o alarme do ponto médio vai disparar quase sempre próximo do final de uma descarga profunda. Se o alarme do ponto médio disparar muito mais cedo (e não disparar durante a carga), algumas baterias ou células podem ter perdido capacidade ou desenvolvido uma resistência interna superior à das restantes. O banco de baterias pode ter atingido o fim da vida útil ou uma ou mais células ou baterias ter desenvolvido uma avaria:

- Em caso de ligação em série-paralela, desconecte a ligação paralela do ponto médio e meça as tensões do ponto médio individuais durante a descarga para isolar as baterias ou células avariadas.
- Carregue e depois teste todas as baterias ou células individualmente.

9.7 Regulador de bateria

Pode considerar adicionar um Regulador de Bateria ao sistema. Este aparelho vai equalizar o estado de carga de duas baterias de 12 V ligadas em série ou de várias cadeias paralelas igualmente ligadas em série.

Quando a tensão de carga de um sistema de baterias de 24 V superar 27,3V, o regulador liga-se e compara a tensão nas duas baterias ligadas em série. O regulador vai retirar uma corrente até 0,7A da bateria (ou das baterias ligadas em paralelo) com a tensão superior. O diferencial resultante da corrente de carga assegura a convergência de todas as baterias para o mesmo estado de carga. Se for necessário, é possível instalar diversos reguladores em paralelo.

Um banco de baterias com 48V pode ser compensado com três reguladores, um entre cada bateria.

Para mais informação, consulte a ficha técnica do Regulador de Bateria disponível na respetiva página de produto: <https://www.victronenergy.com.au/batteries/battery-balancer>

10 RESOLUÇÃO DE PROBLEMAS

10.1 Problemas de funcionalidade

10.1.1 A unidade não se liga, sem luzes acesas

Na primeira ligação, o LED azul no SmartShunt deve estar a piscar. Se este não for o caso, verifique o fusível no cabo Vbatt+ e verifique também o próprio cabo e os respetivos terminais.

Lembre-se de que o LED azul no SmartShunt também pode estar desligado quando o *bluetooth* estiver desativado. O SmartShunt parece não funcionar. Consulte na secção 10.2.1: “Cannot connect via Bluetooth” as instruções para resolver isto.

Caso seja utilizado um sensor de temperatura:

- O olhal do cabo M8 do sensor de temperatura deve ser ligado ao polo positivo do banco de baterias (o fio vermelho do sensor funciona também como o fio de alimentação de energia).
- Verifique o fusível no cabo positivo (vermelho).
- Certifique-se de que está a utilizar um sensor de temperatura correto. O sensor de temperatura MultiPlus não funciona com o SmartShunt.
- Certifique-se de que o sensor está ligado corretamente. O cabo vermelho deve ser ligado ao terminal Vbatt+ do SmartShunt e o fio negro ao terminal Aux.

Consulte na secção 3.4.3: “Aux connection for temperature monitoring” as instruções e um esquema de ligações.

10.1.2 A porta auxiliar não funciona

Verifique o fusível no cabo Aux e verifique também o próprio cabo e os respetivos terminais.

Se utilizar uma bateria de arranque, certifique-se de que ambos os bancos de bateria têm um negativo comum. Consulte na secção 3.4.1: “Aux connection for monitoring the voltage of a second battery” as instruções e um esquema de ligações.

Caso seja utilizado um sensor de temperatura:

- O olhal do cabo M8 do sensor de temperatura deve ser ligado ao polo positivo do banco de baterias (o fio vermelho do sensor funciona também como o fio de alimentação de energia).
- Verifique o fusível no cabo positivo (vermelho).
- Certifique-se de que está a utilizar um sensor de temperatura correto. O sensor de temperatura MultiPlus não funciona com o SmartShunt.
- Certifique-se de que o sensor está ligado corretamente. O cabo vermelho deve ser ligado ao terminal Vbatt+ do SmartShunt e o fio negro ao terminal Aux.

Consulte na secção 3.4.3: “Aux connection for temperature monitoring” as instruções e um esquema de ligações.

10.1.3 Não consigo alterar as definições

As definições apenas podem ser alteradas se o SmartShunt estiver a funcionar com o *firmware* atualizado. Faça a atualização para o *firmware* mais recente com a aplicação VictronConnect.

10.2 Problemas de ligação

10.2.1 Não é possível conectar por *bluetooth*

É altamente improvável que a *interface bluetooth* do SmartShunt esteja defeituosa. Algumas notas a experimentar antes de solicitar assistência:

- O SmartShunt está ligado? A luz azul deve estar a piscar. Se a luz azul não piscar, consulte a secção 10.1.1: “Unit is dead, no lights on”.
- Já está outro telemóvel ou *tablet* já conectado ao SmartShunt? Isto é indicado por uma luz azul que fica acesa. Apenas um telemóvel ou *tablet* pode ser conectado a um SmartShunt num dado momento. Certifique-se de que não há outros dispositivos conectados e tente novamente.

- A aplicação VictronConnect está atualizada?
- Está suficientemente próximo do SmartShunt? Em campo aberto, a distância máxima é cerca de 20m.
- Está a utilizar versão de Windows na aplicação VictronConnect? Esta versão não funciona com *bluetooth*. Utilize Android, iOS ou MacOS como alternativa (ou utilize a *interface* USB - VE.Direct).
- O *bluetooth* foi desativado nas definições? Consulte a secção 7.5.5: “Disabling and re-enabling Bluetooth”.

Para problemas de ligação, consulte a secção de resolução do manual VictronConnect:

<https://www.victronenergy.com/live/victronconnect:start>

10.2.2 Perda do código PIN

Se tiver perdido o código PIN, deve reiniciá-lo para o código por defeito; consulte a secção 7.5.4: “Changing PIN code”.

Mais informação e instruções específicas disponíveis no manual VictronConnect:

<https://www.victronenergy.com/live/victronconnect:start>

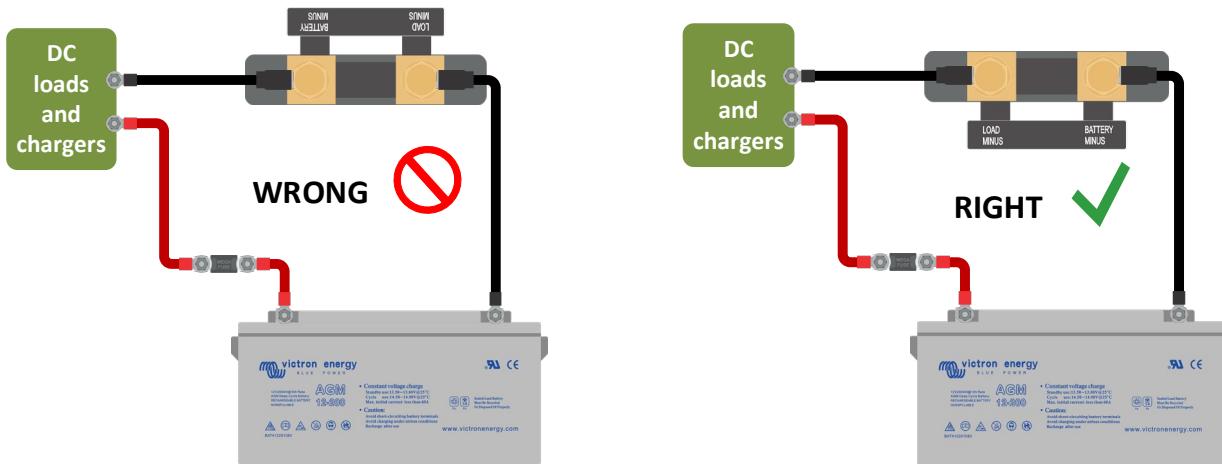
10.3 Leituras incorretas

10.3.1 A corrente de carga e a de descarga estão invertidas

A corrente de carga deve ser apresentada como um valor positivo. Por exemplo: 1.45 A.

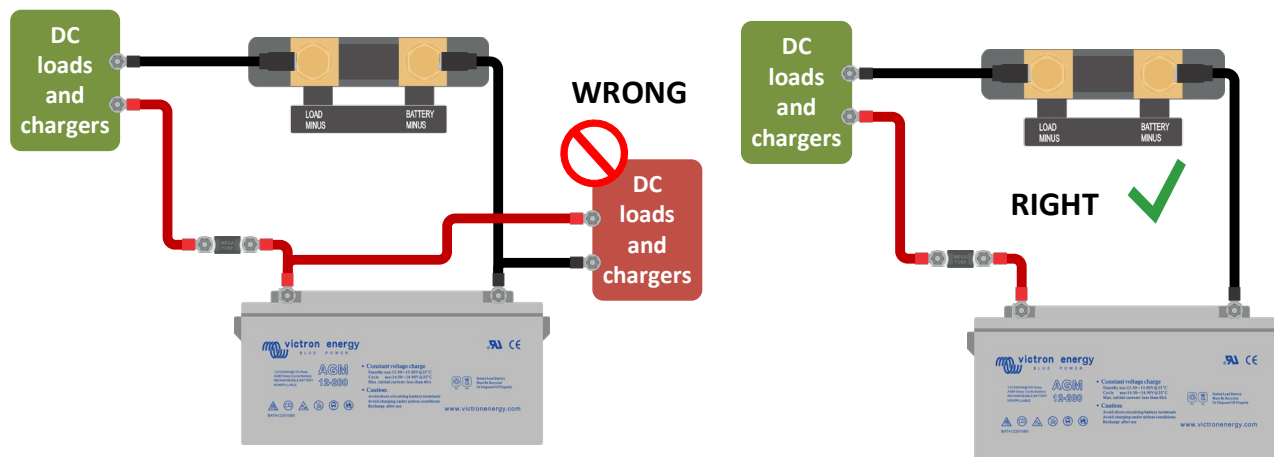
A corrente de descarga deve ser apresentada como um valor negativo. Por exemplo: - 1.45 A.

Se as correntes de carga e de descarga estiverem invertidas, os cabos de alimentação negativos no SmartShunt devem ser trocados. Consulte a secção 3.3: “Basic electrical connections”.



10.3.2 Leitura de corrente incompleta

Os negativos de todas cargas e as fontes de carregamento no sistema devem ser conectados ao lado negativo de carga do SmartShunt. Se o negativo das cargas ou das fontes de carregamento for conectado diretamente ao terminal da bateria negativo, as correntes para estas cargas ou fontes de carregamento não vão fluir pelo SmartShunt e serão excluídas da leitura de corrente e assim também da leitura do estado da carga. O SmartShunt visualiza um estado de carga superior ao real da bateria.



10.3.3 Existe uma leitura de corrente sem fluxo

Realize uma calibração de corrente zero com todas as cargas desligadas (secção 7.1.13) ou defina o limiar de corrente (secção 7.1.8).

10.3.4 Leitura incorreta do estado da carga

Estado da carga incorreto devido a problema de sincronização

O estado da carga é um valor calculado e precisa de ser reiniciado (sincronizado) ocasionalmente. Os seguintes parâmetros vão ter um efeito nos cálculos do estado da carga se tiverem sido configurados incorretamente

- Capacidade da bateria
- Tensão carregada e corrente de cauda
- O expoente de Peukert e o fator de eficiência da carga
- Definições do estado da carga e de sincronização

Para mais informação sobre estes parâmetros, consulte a secção 7.1: “Battery settings”.

Veja também a secção seguinte **¡Error! No se encuentra el origen de la referencia.: “¡Error! No se encuentra el origen de la referencia.”**.

Estado da carga incorreto por leitura de corrente incorreta

O estado da carga é calculado pela observação da quantidade de corrente que flui para o interior ou exterior da bateria. Se a leitura de corrente for incorreta, o estado da carga será também incorreto. Consulte a secção **¡Error! No se encuentra el origen de la referencia.: “¡Error! No se encuentra el origen de la referencia.”**.

10.3.5 O estado da carga indica três traços “---”

Isto significa que o SmartShunt está num estado não sincronizado. Isto ocorre principalmente quando SmartShunt acaba de ser instalado ou depois de ter sido deixado sem alimentação elétrica e voltar a tê-la. Carregue as baterias e o SmartShunt deve realizar a sincronização automaticamente. Se isto não funcionar, reveja as configurações de sincronização. Consulte na secção 5.3: “Synchronising the SmartShunt”. Se souber que a bateria está completamente carregada, mas não quiser esperar pela sincronização SmartShunt, depois carregue no botão Sincronizar SoC para 100 %, consulte a secção 7.1.12: “Synchronise SoC to 100%”.

10.3.6 O estado da carga não atinge 100 %

O SmartShunt vai sincronizar e reiniciar o estado da carga em 100 %, logo que a bateria estiver completamente carregada. Carregue completamente a bateria e verifique se o SmartShunt deteta corretamente a bateria totalmente carregada. Se o SmartShunt não detetar que a bateria está completamente carregada, você precisa de verificar ou ajustar as definições da tensão de carga, a corrente de cauda e/ou o tempo de carga. Para mais informação, consulte a secção 5.3.1: “Automatic synchronisation”.

O estado da carga não aumenta de forma suficientemente rápida ao carregar

Comprove se a capacidade da bateria está definida corretamente. Consulte a secção 7.1.1: “Battery capacity”.

O estado da carga visualiza sempre 100 %

Isto pode dever-se ao facto de os cabos negativos do SmartShunt terem sido conectados ao contrário, consulte a secção **¡Error! No se encuentra el origen de la referencia.:** **¡Error! No se encuentra el origen de la referencia.**

10.3.7 Leitura da tensão incorreta

Tensão da bateria principal demasiado baixa

Problema com o cabo Vbatt+, eventualmente o fusível, o próprio cabo ou um dos terminais estão danificados ou têm ligações soltas.

Ligações incorretas: o cabo Vbatt+ tem de ser ligado ao positivo do banco de baterias, não a uma posição intermédia no banco.

Se utilizar um sensor de temperatura, certifique-se de que está conectado ao terminal positivo do banco de baterias, não a uma posição intermédia do banco.

Tensão da bateria de arranque demasiado baixa

Problema com o cabo Aux, eventualmente o fusível, o próprio cabo ou um dos terminais estão danificados ou têm ligações soltas.

Tensão da bateria de arranque em falta

Certifique-se de que ambas as baterias partilham um negativo comum. Para obter instruções sobre a ligação correta da bateria de arranque, consulte a secção 3.4.1: “Aux connection for monitoring the voltage of a second battery”.

10.3.8 Problemas de sincronização

O SmartShunt não realiza a sincronização de forma automática

Uma hipótese é a bateria nunca atingir um estado de carga completa. Carregue completamente a bateria e observe se o estado da carga indica eventualmente 100 %.

A outra hipótese é a necessidade de diminuir a configuração da tensão de carga e/ou de aumentar a da corrente de cauda. Consulte a secção 5.3: “Synchronising the SmartShunt”.

O SmartShunt faz a sincronização demasiado cedo

Pode ocorrer em sistemas solares ou noutras aplicações com correntes de carga flutuantes. Adote as seguintes medidas para reduzir a probabilidade do o SmartShunt definir prematuramente o estado da carga para 100 %:

- Aumentar a tensão “carregada” para ligeiramente abaixo da tensão de carga de absorção. Por exemplo: 14,2 V para uma tensão de absorção de 14,4 V (para uma bateria de 12 V).
- Aumentar o tempo de deteção de carga e/ou diminuir a corrente de cauda para prevenir um reinício precoce devido a nuvens passageiras.
- Consulte a secção 5.3: “Synchronising the SmartShunt”.

O estado da carga indica três traços “---”

Isto significa que o SmartShunt está num estado não sincronizado. Isto ocorre principalmente quando SmartShunt acaba de ser instalado ou depois de ter sido deixado sem alimentação elétrica e voltar a tê-la.

Carregue as baterias e o SmartShunt deve realizar a sincronização automaticamente. Se isto não funcionar, reveja as configurações de sincronização. Consulte a secção 5.3: “Synchronising the SmartShunt”.

Se souber que a bateria está completamente carregada, mas não quiser esperar pela sincronização SmartShunt, depois carregue no botão Sincronizar SoC para 100 %, consulte a secção 7.1.12: “Synchronise SoC to 100%”.

11 INFORMAÇÃO TÉCNICA

SmartShunt	500A / 1000A / 2000A
Intervalo da tensão de alimentação	6.5 VCC a 70 VCC
Consumo de corrente	< 1mA
Tensão de entrada, bateria auxiliar	6.5 VCC a 70 VCC
Capacidade da bateria (Ah)	1 Ah / 9999 Ah
Temperatura de funcionamento	-40 °C +50 °C (-40 °F - 120 °F)
Medição da tensão de uma segunda bateria, da temperatura* ou do ponto médio	Sim
Medição da temperatura*	- 20 °C a 50 °C
Porta de comunicação VE.Direct.	Sim
RESOLUÇÃO E PRECISÃO	
Corrente	± 0.1A
Tensão	0.01V
Amperes-hora	± 0.1 Ah
Estado da carga (0 % a 100%)	± 0.1%
Tempo restante	± 1 min
Temperatura (0 °C a 50 °C ou 30 °F a 120 °F)	± 1 °C/°F
Precisão da medição de corrente	± 0,4%
Desvio	Inferior a 10 / 20 / 40 mA
Precisão da medição de tensão	± 0.3%
INSTALAÇÃO E DIMENSÕES	
Dimensões (a x l x p)	500 A: 46 mm x 120 mm x 224 mm 1000A: 68 mm x 120 mm x 224 mm 2000A: 68 mm x 120 mm x 224 mm
Classe de proteção	IP21
NORMAS	
Segurança	EN 60335-1
Emissões / Imunidade	EN-IEC 61000-6-1 EN-IEC 61000-6-2 EN-IEC 61000-6-3
Automóvel	EN 50498
Cabos (incluído)	2 cabos com fusível para '+' e ligação Aux
Sensor de temperatura	Opcional (ASS000100000)

* Apenas quando o sensor de temperatura estiver conectado, o sensor da temperatura não está incluído

Victron Energy Blue Power

Distributor:

Serial number:

Version : 00
Date : April 4th, 2020

Victron Energy B.V.
De Paal 35 | 1351 JG Almere
PO Box 50016 | 1305 AA Almere | The Netherlands

General phone : +31 (0)36 535 97 00
E-mail : sales@victronenergy.com

www.victronenergy.com