

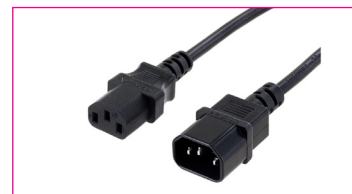
Power Cables IEC C13

Extension Straight Plug C14 to Straight
IEC Socket C13, 1.0 mm²



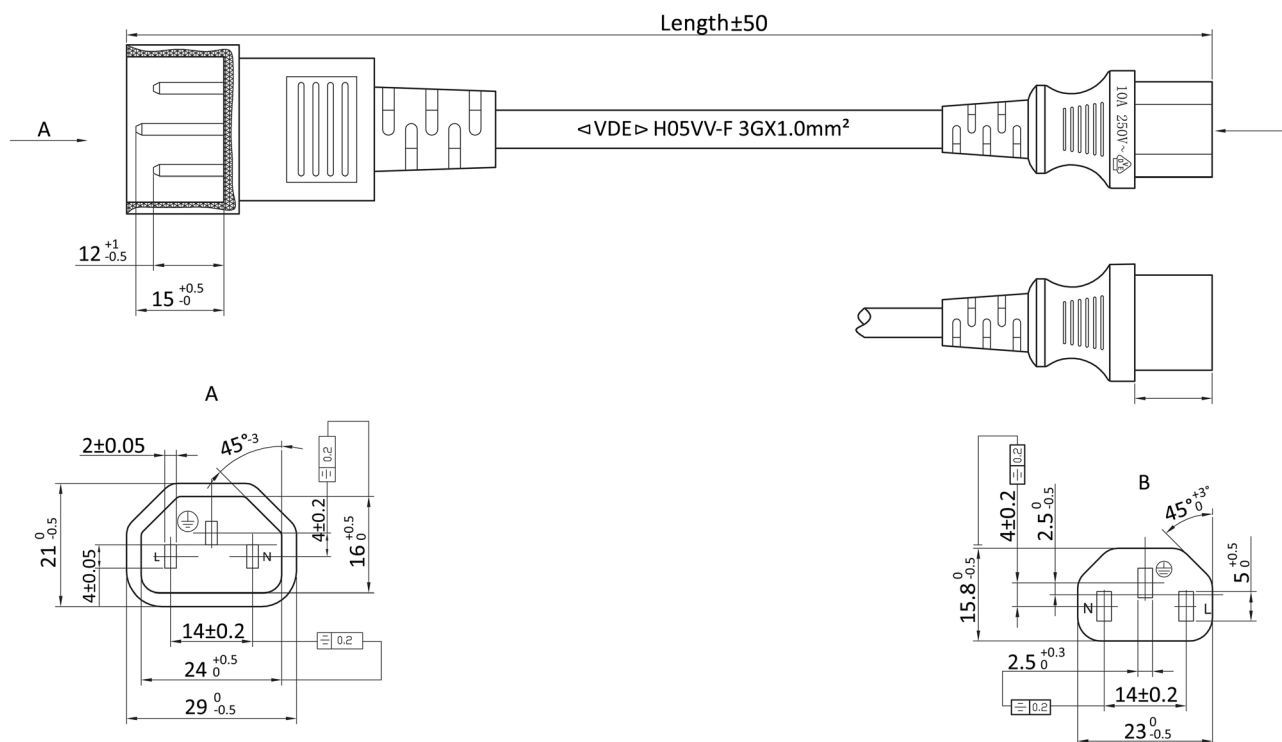
SPECIFICATION:

Operating Voltage (Nom.):	250 Vac
Current Leakage:	1 mA
Insulation Resistance (Min.):	5 MΩ
Dielectric Strength:	2,500 Vac
Diameter:	7 mm
Strands Cross Section:	1 mm ²
Strands Layout:	32 x 0.198 mm
Core Diameter:	2.5 mm



MATERIAL:

Type: H05VV-F3G



Order Information

Identifier:

NKVK

Length:

5

Colour:

SW

Extension IEC plug straight to IEC socket straight

5.0 m

black