

Power Cables IEC C13

Right Angle Plug CEE 7/7 to 2 x
Straight IEC Socket C13



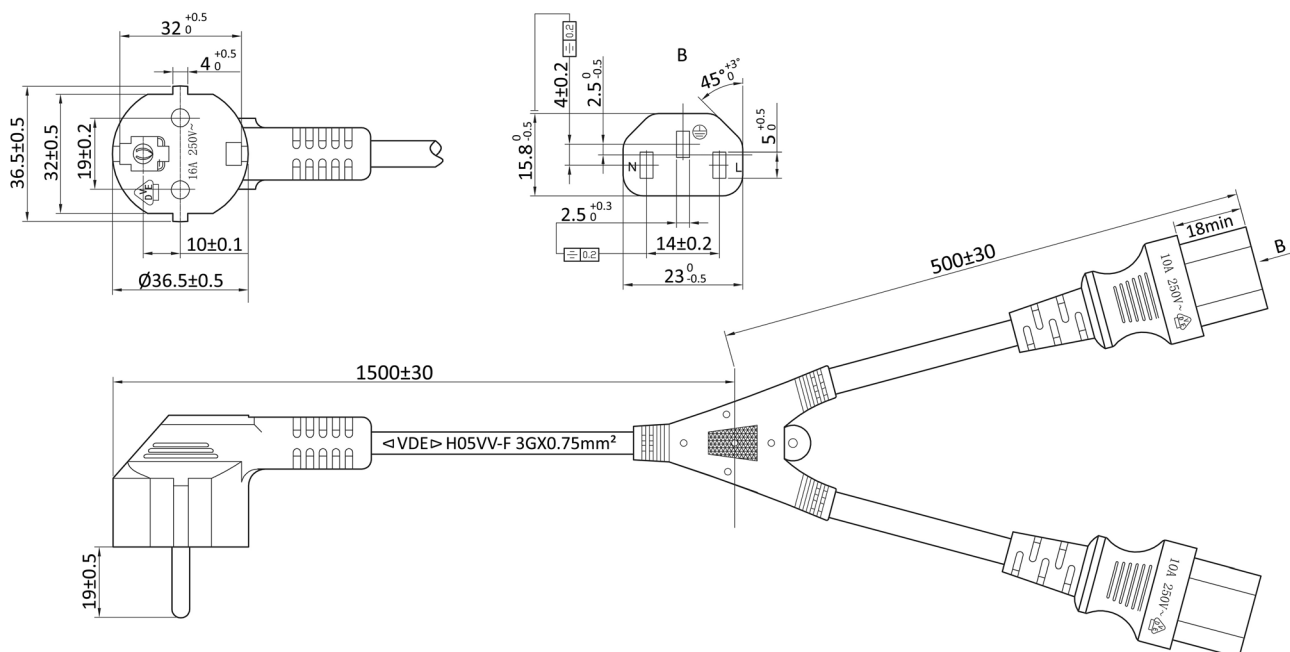
SPECIFICATION:

Operating Voltage (Nom.):	250 Vac
Current Leakage:	1 mA
Insulation Resistance (Min.):	5 MΩ
Dielectric Strength:	2,500 Vac
Diameter:	6.5 mm
Strands Cross Section:	0.75 mm ²
Strands Layout:	42 x 0.148 mm
Core Diameter:	2.3 mm



MATERIAL:

Type: H05VV-F3G



Order Information

Identifier:

NKY

Length:

2

Colour:

SW

Power cable angled to 2 x straight IEC socket

2.0 m

black