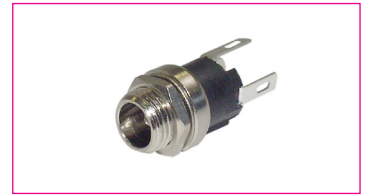


SPECIFICATION:

| | |
|---|---------|
| Operating Voltage (Max.): | 12 Vdc |
| Operating Current (Nom.): | 5 Adc |
| Insulation Resistance (Min.): | 1000 MΩ |
| Contact Resistance (Max.): | 50 mΩ |
| Operating Life in Mating Cycles (Min.): | 10000 |
| Dielectric Strength: | 500 Vac |
| Insertion Force (Max.): | 12 N |
| Extraction Force: | 3 N |



MATERIAL:

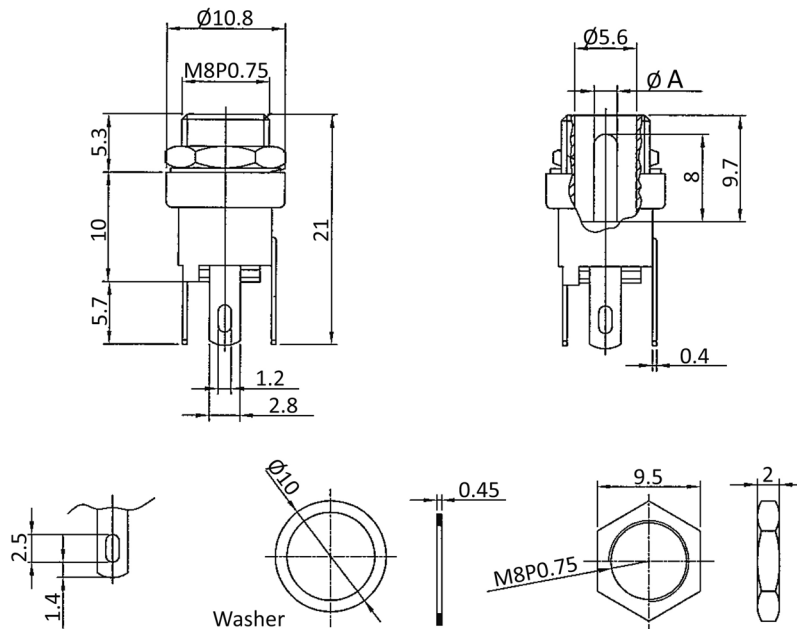
| | |
|--------------------------|--------------------------------|
| Material (Terminal): | phosphor bronze, silver plated |
| Material (Housing): | nylon 66 |
| Material (Contact Area): | brass, silver plated |

HANDLING:

| | |
|------------|------|
| Packaging: | bulk |
|------------|------|

TOLERANCE:

| | |
|-----|--------|
| .X: | ± 0.20 |
|-----|--------|



Order Information

| | |
|-------------------------------------|--|
| Identifier: | Diameter Pin (A):: |
| DCE5 | # |
| DC socket vertical with solder lugs | AL: diameter 2.1 mm BL: diameter 2.5 mm |