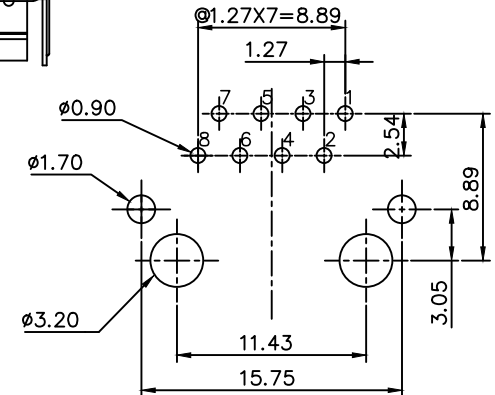
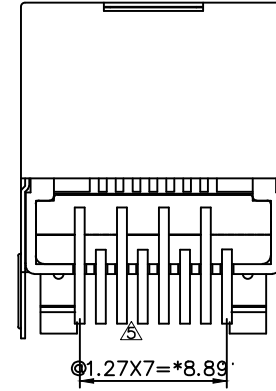
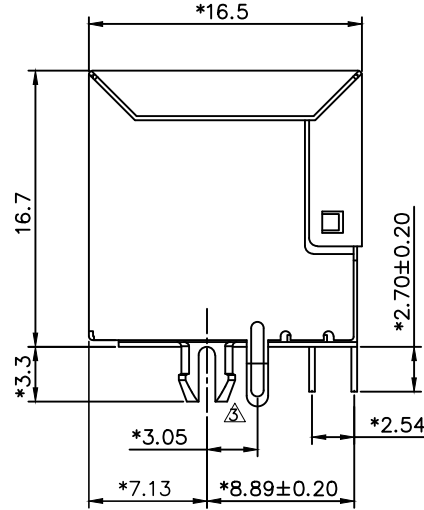
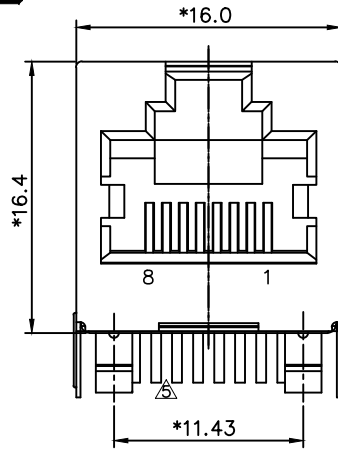


RoHS
THIS IS A RoHS
COMPLIANT
COMPONENT/
PRODUCT.



PC Board Layout t=1.6mm
Component Side Show

NOTES:

ELECTRICAL:

- 1. VOLTAGE RATING : 125 VAC.
- 2. CURRENT RATING : 1.5 AMP.
- 3. CONTACT RESISTANCE : 35 MILLIOHMS MAX.
- 4. INSULATION RESISTANCE : 1000 MEGOHMS @ 500 VDC. MIN.
- 5. DIELECTRIC STRENGTH : 1000 VAC 60Hz, 1MIN.

MECHANICAL:

- 1. HOUSING MATERIAL : HIGH TEMP UL94V-0.
- 2. CONTACT MATERIAL : PHOSPHOR BRONZE T=0.35mm.
- 3. SHIELD MATERIAL : COPPER ALLOY T=0.20mm.
- 4. PLATING : SELECTIVE GOLD PLATING OVER NICKEL.
- 5. OPERATING LIFE : 750 CYCLES MIN.
- 6. PCB RETENTION PRE-SOLDER : 1 LB MIN.
- 7. PCB RETENTION POST-SOLDER : 10 LBS MIN.

ENVIRONMENTAL:

- 1. STORAGE : -40°C TO +85°C
- 2. OPERATION : -40°C TO +85°C.

△ MATES WITH MODULAR PLUG CONFORMING TO TIA-1096-A.

ORDERING INFORMATION:

PART NUMBER	PRODUCT CODE	CONFIGURATION
3257-0007-01	RJJS-88-122-E7H-020	6U" GOLD PLATING
3257-0007-02	RJJS-88-142-E7H-020	30U" GOLD PLATING

△ CATEGORY 6 CHARACTERISTIC:

Frequency	Near-End Cross Talk dB, MIN.	Return Loss dB, MIN.	Attenuation dB, MAX.
1.0 MHZ	75.0	35.5	0.1
4.0 MHZ	75.0	35.5	0.1
10.0 MHZ	74.0	35.5	0.1
16.0 MHZ	69.9	35.5	0.1
25.0 MHZ	66.0	35.5	0.1
31.25 MHZ	64.1	34.1	0.1
62.5 MHZ	58.1	28.1	0.1
100.0 MHZ	54.0	24.0	0.2
200.0 MHZ	48.0	18.0	0.3
250.0 MHZ	46.0	16.0	0.3

MARK	ECN-NO.	REVISION RECORD	DRAWN	DATE
△ X 2		UPDATE DRAWING	DORIS	112715'
△ X 1		UPDATE DRAWING	QUAN	120712'
△ X 1		UPDATE DRAWING	QUAN	112912'
△ X 1		UPDATE DRAWING	YANG	082709
△ X 2		UPDATE DRAWING	YANG	041009
△ X 0	0069000	NEW DESIGN	YANG	040909

UNLESS OTHERWISE SPECIFIED TOLERANCE	SCALE	CHECKED
Dimension Range Tolerance	1.25/1	
X.X ±0.20	UNIT	APPROVED
X.XX ±0.15	mm	
X.XXX ±0.10	SIZE	A3
ANGLE ±5°		
NAME		SHEET 1/1
SEE NOTE		CAT.6 SIDE ENTRY JACK STP
PART NO. SEE NOTE		REV. 5
DOC. NO.		

UL UL RECOGNIZED - FILE #E465899