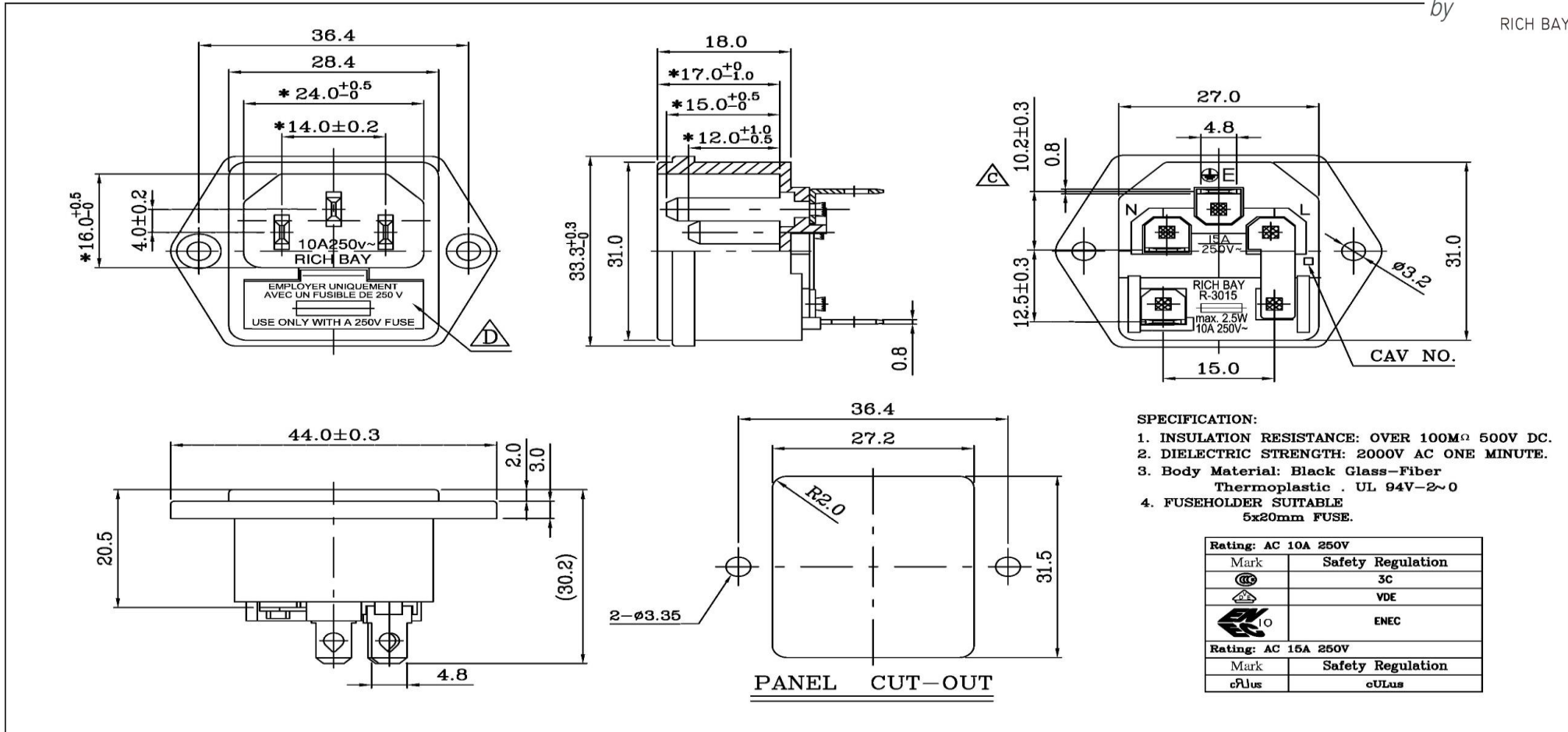


Data Sheet

powered by RICH BAY



	UNIT	UNIT Q'TY	SCALE	TOLERANCE	PRODUCT NO.	R-3015(B200)	REV
	mm	1	1:1	X.XX±0.1 XX.XX±0.2 XXX.XX±0.3			
DRAWN BY	李 2020.12.30 小英	APPROVED BY	朱 2020.12.30 显德	ID NO	20123008Q	INTERIM NO.	D
				DESCRIPTION		NEW NO.	