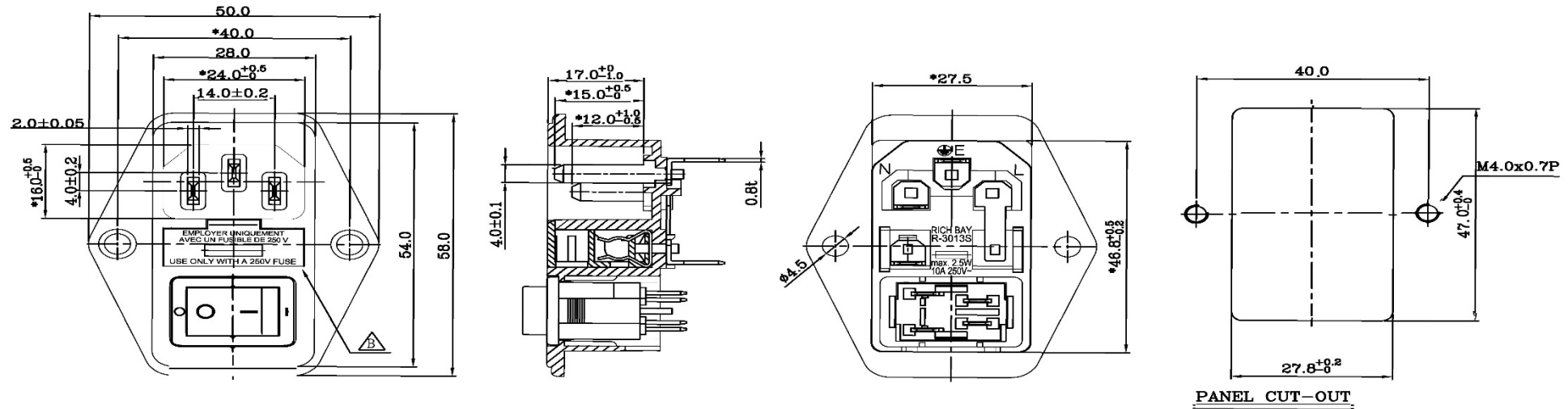


# Data Sheet

powered by  
RICH BAY



**SPECIFICATION:**  
 1. Insulation Resistance: Over 100MΩ at 500V DC.  
 2. Dielectric strength: 2000V AC 1 Minute.  
 3. Body Material: Thermoplastic 94V-2~V-0.

**SPECIFICATION: (SWITCH)**  
 1. Electrical rating : 6A 250VAC & 12A 125VAC [UL]  
 4(1)A 250VAC [VDE . ENEC10]  
 2. Contact resistance : <20mΩ (Initial)  
 3. Insulation resistance : 100MΩ (500VDC between open contacts)  
 4. Dielectric strength : 1500V 1 minute

Rating:AC 15A 250V	
Mark	Safety Regulation
	CULUS
Rating:AC 10A 250V	
Mark	Safety Regulation
	VDE
	ENEC

DRAWN BY	UNIT	UNIT QTY	SCALE	TOLERANCE	PRODUCT NO.	R-3013S (01)	REV
		mm	1	1:1			
RD 110.02.02 林文啟	APPROVED BY	ID NO.	RD 110.02.02 張育誠	210202A05	INTERIM NO.	NEW NO.	B
	DESCRIPTION						