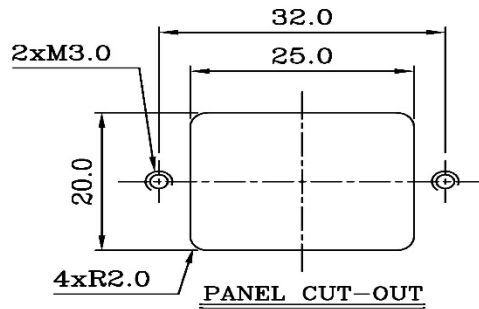
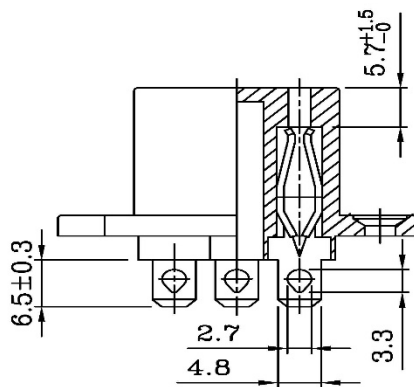
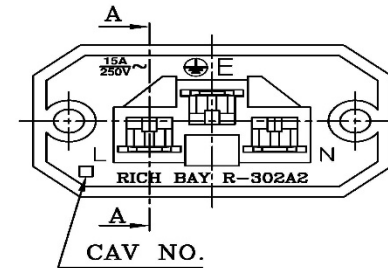
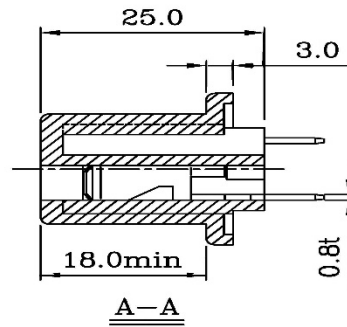
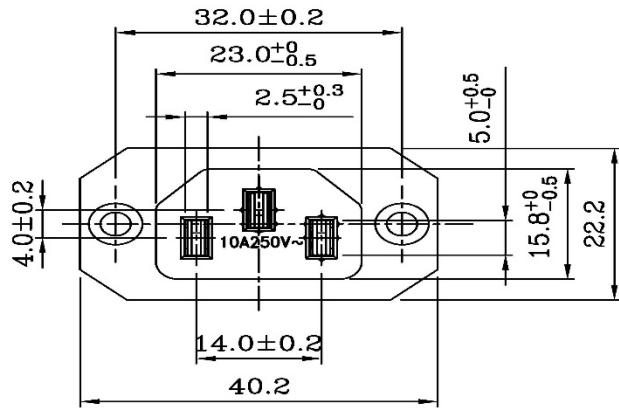


# Data Sheet

powered by  
RICH BAY



**SPECIFICATION:**

1. INSULATION RESISTANCE: OVER 100MΩ 500V DC.
2. DIELECTRIC STRENGTH: 2000V AC ONE MINUTE.
3. Body Materil: Black Glass-Fiber Thermoplastic . UL 94V-2~0

Rating:AC 15A 250V	
Mark	Safety Regulation
	UL
	CUL
Rating:AC 10A 250V	
Mark	Safety Regulation
	VDE
	CCC
	ENEC

IMPORTANT THIS DRAWING FOR REFERENCE ONLY 注意：此圖只供參考用

	UNIT	UNIT QTY	SCALE	TOLERANCE	PRODUCT NO.	R-302A2(B00)	REV
	mm	1	1:1	X.XX±0.1 XX.XX±0.2 XXX.XX±0.3			
DRAWN BY	李 2010.3.26 小英	APPROVED BY	羅 2010.3.26 士凱	ID NO	10032603Q	INTERIM NO.	C
				DESCRIPTION		NEW NO.	